

DROP -IN

Refrigerated Dole Plate & Ventilated Well

Code	Avv	Model and Type	Ref.	Brand	Page	
340218	03	DI2RDP	DROP-IN REFRIGERATED DOLE PLATE 2GN	d	Electrolux	2
340219	03	DI3RDP	DROP-IN REFRIGERATED DOLE PLATE 3GN	e	Electrolux	2
340220	03	DI4RDP	DROP-IN REFRIGERATED DOLE PLATE 4GN	f	Electrolux	2
340228	03	DI2RDPO	DROP-IN REFRIG.DOLE PLATE+GANTRY 2GN	b	Electrolux	2
340229	03	DI3RDPO	DROP-IN REFRIG.DOLE PLATE+GANTRY 3GN	a	Electrolux	2
340230	03	DI4RDPO	DROP-IN REFRIG.DOLE PLATE+GANTRY 4GN	c	Electrolux	2
340258	04	DI2RWV	DROP-IN VENTILATED REFRIGERATED WELL 2GN	g	Electrolux	3
340259	04	DI3RWV	DROP-IN VENTILATED REFRIGERATED WELL 3GN	h	Electrolux	3
340260	04	DI4RWV	DROP-IN VENTILATED REFRIGERATED WELL 4GN	i	Electrolux	3
340261	05	DI2RWVR	DROP-IN VENTILATED REFRIG.WELL 2GN-REM.	r	Electrolux	3
340262	05	DI3RWVR	DROP-IN VENTILATED REFRIG.WELL 3GN-REM.	s	Electrolux	3
340263	04	DI4RWVR	DROP-IN VENTILATED REFRIG.WELL 4GN-REM.	t	Electrolux	3
340264	04	DI2RWVO	DROP-IN VENTIL.REFRIG.WELL+GANTRY 2GN	l	Electrolux	3/2
340265	04	DI3RWVO	DROP-IN VENTIL.REFRIG.WELL+GANTRY 3GN	m	Electrolux	3/2
340266	04	DI4RWVO	DROP-IN VENTIL.REFRIG.WELL+GANTRY 4GN	n	Electrolux	3/2
340267	04	DI2RWVOR	DROP-IN VENTIL.REFR.WELL+GANTRY 2GN-REM	u	Electrolux	3/2
340268	04	DI3RWVOR	DROP-IN VENTIL.REFR.WELL+GANTRY 3GN-REM	v	Electrolux	3/2
340269	04	DI4RWVOR	DROP-IN VENTIL.REFR.WELL+GANTRY 4GN-REM	z	Electrolux	3/2
340270	04	DI2ROD	DROP-IN REFRIGER. WELL+ OPEN DISPLAY 2GN	o	Electrolux	3/4
340271	04	DI3ROD	DROP-IN REFRIGER. WELL+ OPEN DISPLAY 3GN	p	Electrolux	3/4
340272	04	DI4ROD	DROP-IN REFRIGER. WELL+ OPEN DISPLAY 4GN	q	Electrolux	3/4
340274	04	DI2RODR	DROP-IN REFRIG.WELL+ OPEN DISPLAY 2GN REM	w	Electrolux	3/4
340275	04	DI3RODR	DROP-IN REFRIG.WELL+ OPEN DISPLAY 3GN REM	j	Electrolux	3/4
340276	04	DI4RODR	DROP-IN REFRIG.WELL+ OPEN DISPLAY 4GN REM	k	Electrolux	3/4
857018	00	DIGL2ROD	Kit cover temperate glass to 2gn		Electrolux	5
857019	00	DIGL2ROD	Kit cover temperate glass to 3gn		Electrolux	5
857020	00	DIGL2ROD	Kit cover temperate glass to 4gn		Electrolux	5

NOTE

update with motor ventilator pag 6 pos. 32 15 01 2015

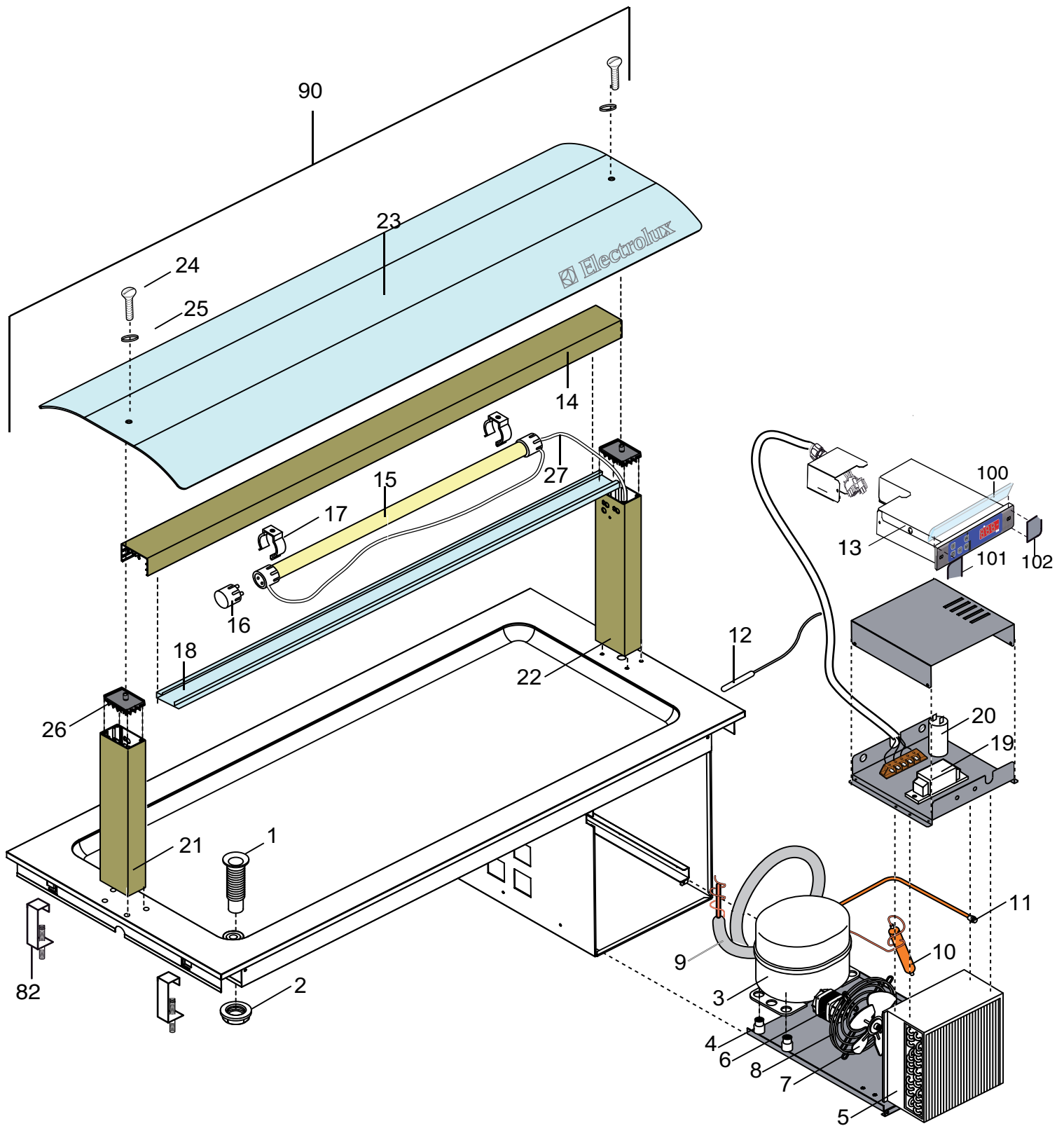
update with cold gantry pag 8 N°90 06 09 2011

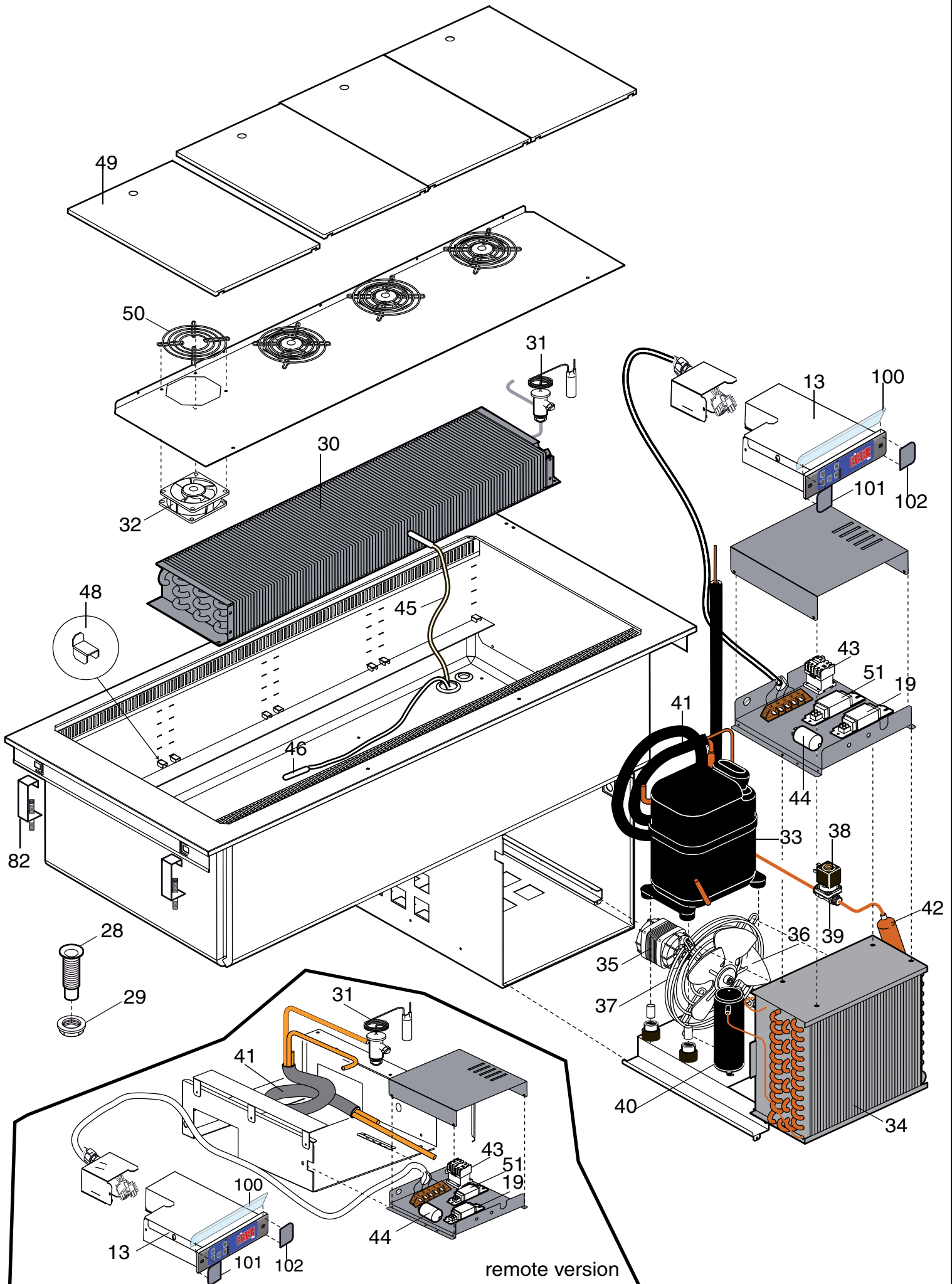
update with newtermostatic valve from R134A to R404A 10 08 2010

Pag./Page	Indice	Index
2,3,4,5	Esplso	Exploded view
6,7,8	Lista ricambi	Spare parts list

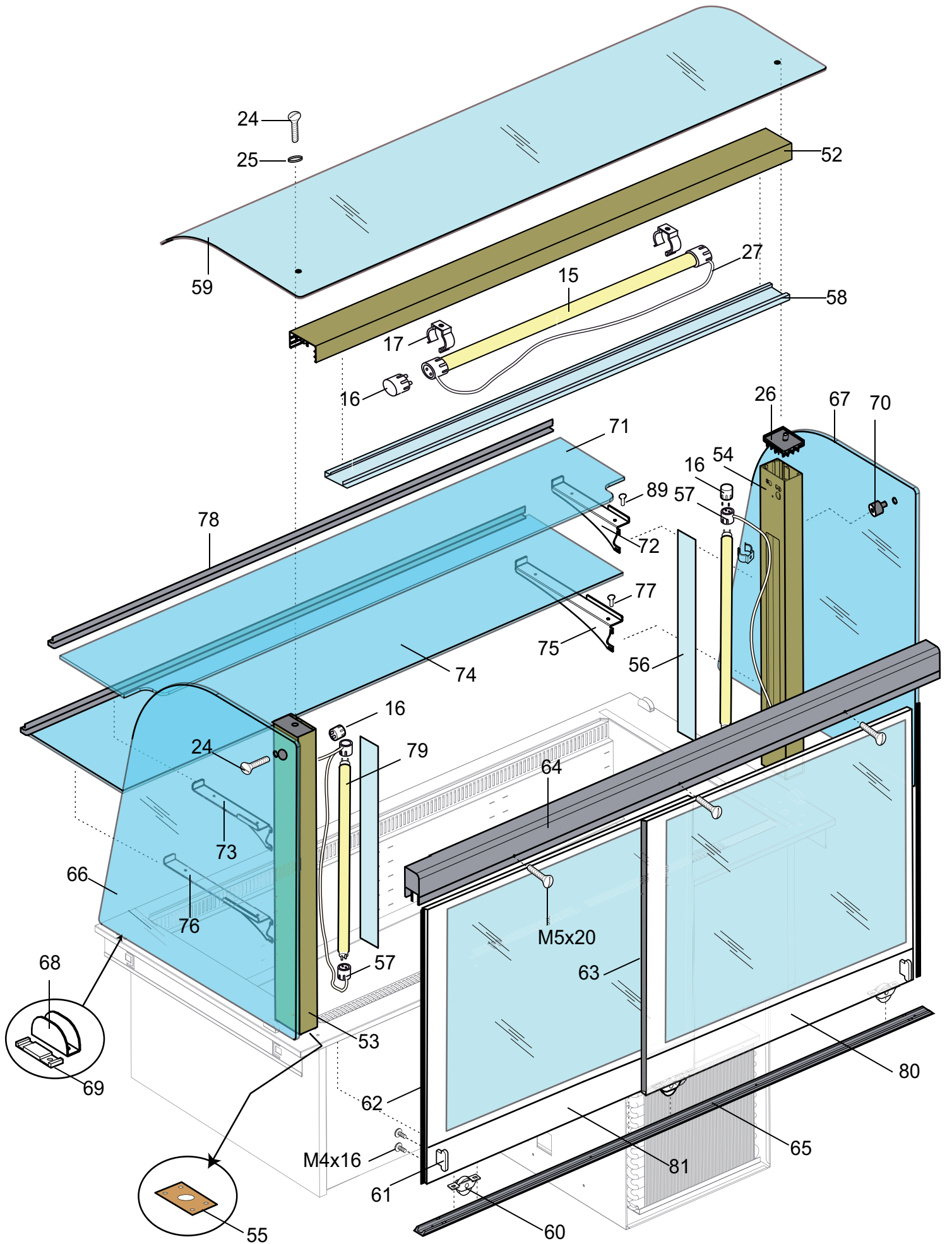
Marchio / Brand: **Electrolux**
Paese / Country: **Tutti / All**

Drop-In Refrigerated dole plate

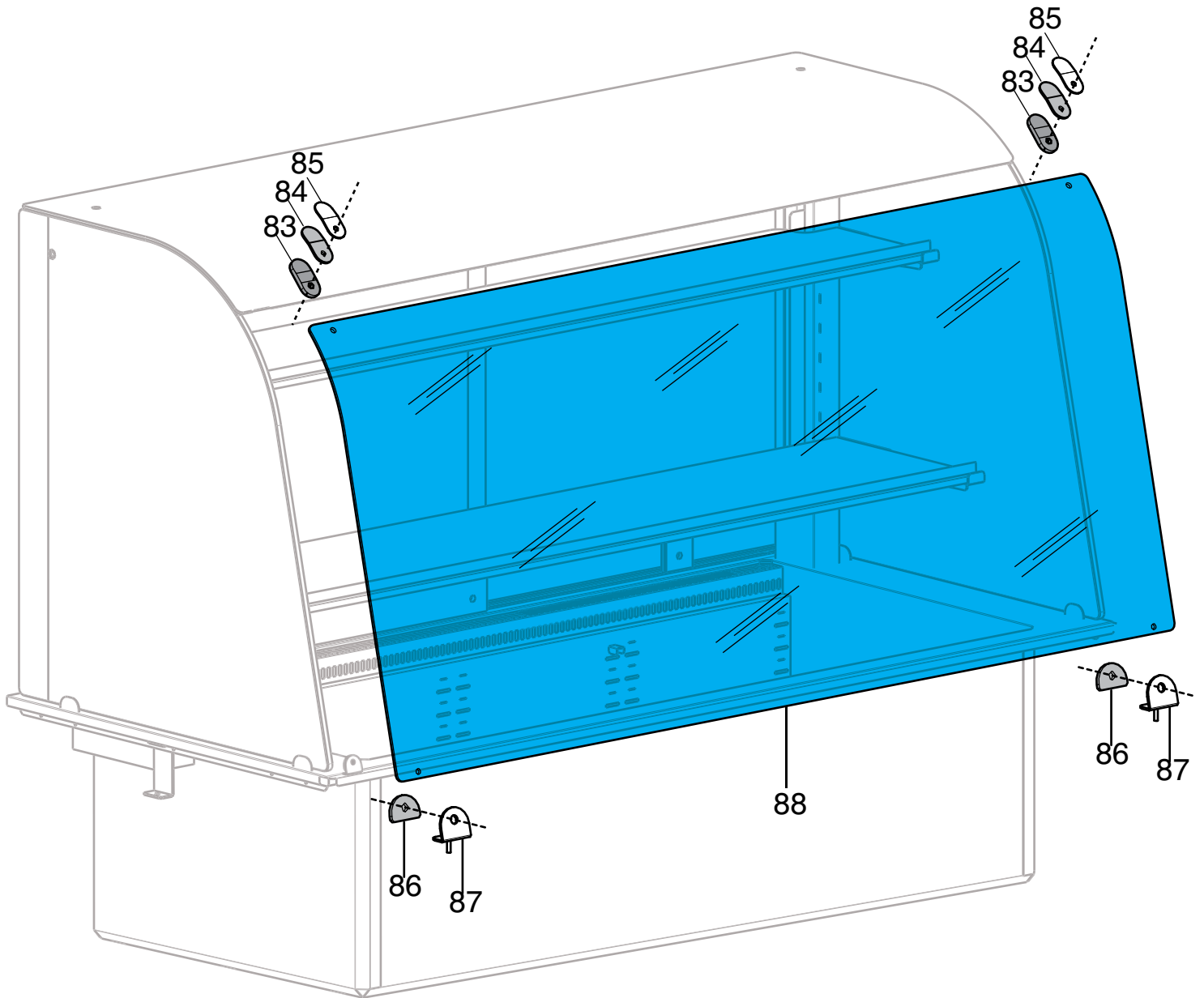




Drop-In



Kit to 857018-857018-857020



Drop in

PNC	REF	PNC	REF	PNC	REF	PNC	REF	PNC	REF	PNC	REF	PNC	REF	PNC	REF
340229	a	340259	h	340272	q	340274	w								
340228	b	340260	i	340261	r	340275	j								
340230	c	340264	l	340262	s	340276	k								
340218	d	340265	m	340263	t										
340219	e	340266	n	340267	u										
340220	f	340270	o	340268	v										
340258	g	340271	p	340269	z										

Pos	Code	Descrizione	Description	Ref. / Notes
1	081823	Piletta	Diascharge pipe	a,b,c,d,e,f
2	081797	Controdado	Nut	a,b,c,d,e,f
3	0A9615	Compressore MP 14 Fb	Compressor	a,b,c,d,e,f
4	087122	Dispositivo per fissaggio comp.	Fixing device compressor	a,b,c,d,e,f
5	085981	Condensatore	Condenser	a,b,c,d,e,f
6	087709	Ventilatore condensatore	Condenser motor ventilator	a,b,c,d,e,f
7	0A8420	Ventola	Fan	a,b,c,d,e,f
8	0A8843	Griglia	Fan protection	a,b,c,d,e,f
9	091013	Scambiatore	Heat exchanger	a,b,c,d,e,f
10	084078	Filtro deidratore	Deidrotator filter	a,b,c,d,e,f
11	088179	Valvola di ricarica	Charge /recharge valve	a,b,c,d,e,f
12	091044	Sonda	Probe	a,b,c,d,e,f
13	091015	Termoregolatore	Thermoregulator	*parameter map in website
14	091016	Assieme lampada	Light complete	a,m,v
14	091017	Assieme lampada	Light complete	b,l,u
14	091018	Assieme lampada	Light complete	c,n,z
15	091019	Neon 16w	Neon 16w	a,m,p,v,j
15	091020	Neon 15w	Neon 15w	b,l,o,u,w,j,k
15	091021	Neon 38w	Neon 38w	c,n,q,z,k
16	0A9199	Starter	Starter	a,b,c,l,m,n,o,p,q,u,v,z,w,j,k
17	084384	Molle di fissaggio neon	Neon fixing spring	a,b,c,l,m,n,o,p,q,u,v,z,w,j,k
18	091022	Schemo lampada	Light protection	a,m,v
18	091023	Schemo lampada	Light protection	b,l,u
18	091024	Schemo lampada	Light protection	c,n,z
19	082977	Reattore 20w 50hz 230v	Ballast 20w 50hz 230v	a,b,l,m,o,p,u,w,j,k
19	0A9200	Reattore 36-46W 50Hz 230 v	Ballast 36-46W 50Hz 230 v	c,n,q,z,k
20	048726	Filtro elettrico	Elettric filter	a,b,c
21	091025	Supporto sx	Left support	a,b,c,l,m,n,u,v,z
22	091026	Supporto dx	Right support	a,b,c,l,m,n,u,v,z
23	091027	Vetro	Glass	a,m,v
23	091028	Vetro	Glass	b,l,u
23	091029	Vetro	Glass	c,n,z
24	091030	Vite M8x45	Screw M8 x 45	a,b,c,l,m,n,o,p,q,u,v,z,w,j,k
25	091045	Distanziale	Spacer	a,b,c,l,m,n,o,p,q,u,v,z,j,k
26	091032	Tappo montante	Plug support	a,b,c,l,m,n,o,p,q,u,v,z,w,j,k
27	091033	Cablaggio lampada	Electric cable for light	a,m,p,v,j
27	091034	Cablaggio lampada	Electric cable for light	b,l,o,u,w
27	091035	Cablaggio lampada	Electric cable for light	c,n,q,z,k
28	088300	Piletta	Discharge pipe	g,h,i,l,m,o,p,q,r,s,t,u,v,z,w,j,k
29	088301	Dado 3/4"	Nut 3/4"	g,h,i,l,m,o,p,q,r,s,t,u,v,z,w,j,k
30	091036	Evaporatore	Evaporator	g,l,o,r,u,w
30	091046	Evaporatore	Evaporator	h,m,p,s,v,j
30	088017	Evaporatore	Evaporator	i,n,q,t,z,k
31	088302	Valvola Termostatica R134A	Thermostatic valve R134a	g,h,i,l,m,n,o,p,q,r,s,t,u,v,z,w,j,k until ser.N°942000...
31	091938	Valvola Termostatica R404A	Thermostatic valve R404A	r,s,t,u,v,z,w,j,k from ser.N° 943000
32	088034	Ventilatore	Motor ventilator	g,h,i,l,m,n,o,p,q,r,s,t,u,v,z,w,j,k
32	093366	Ventilatore	Motor ventilator	a,b,c,d,e,f up to 5051...
32	094477	Ventilatore	Motor ventilator	a,b,c,d,e,f from 5061...
33	084763	Compressore GS34TB 134A	Compressor GS34TB 134A	g,h,i,l,m,n,o,p,q
34	088029	Condensatore	Condenser	g,h,i,l,m,n,o,p,q
35	088013	Ventilatore condensatore	Condenser ventilator	g,h,i,l,m,n,o,p,q
36	087997	Ventola	Fan	g,h,i,l,m,n,o,p,q
37	087996	Protezione ventilatore	Fan protection	g,h,i,l,m,n,o,p,q
38	085847	Bobina per valvola solenoide	Coil	g,h,i,l,m,n,o,p,q
39	088030	Corpo valvola 1/4"	Body valve 1/4"	g,h,i,l,m,n,o,p,q

Drop in									
PNC	REF	PNC	REF	PNC	REF	PNC	REF	PNC	REF
340229	a	340259	h	340272	q	340274	w		
340228	b	340260	i	340261	r	340275	j		
340230	c	340264	l	340262	s	340276	k		
340218	d	340265	m	340263	t				
340219	e	340266	n	340267	u				
340220	f	340270	o	340268	v				
340258	g	340271	p	340269	z				

Pos	Code	Descrizione	Description	Ref. / Notes
40	087758	Ricevitore di liquido	Liquid tanic	g,h,i,l,m,n,o,p,q
41	091037	Ass. scambiatore	Heat exchaner	g,h,i,l,m,n,o,p,q
41	858r00400	Ass.scambiatore	Heat exchanger	r,s,t,u,v,z,w,j,k
42	0A9410	Filtro deidratore	Dehidrator filter	g,h,i,l,m,n,o,p,q
43	088557	Teleruttore	Swicth	g,h,i,l,m,n,o,p,q,r,s,t,u,v,z,w,j,k
44	084987	Filtro elettrico	Elettric filter	g,h,i,l,m,n,o,p,q,r,s,t,u,v,z,w,j,k
45	092224	Sonda evaporatore	Evaporator probe	g,h,i,l,m,n,o,p,q,r,s,t,u,v,z,w,j,k
46	092225	Sonda vasca/vetrina	Probe well/display	g,h,i,l,m,n,o,p,q,r,s,t,u,v,z,w,j,k
47	091040	Mascherina in acciaio	Stainles steel frame for thermor.	
48	091041	Supporto ripiani	Bottom shelves support	g,h,i,l,m,n,o,p,q,r,s,t,u,v,z,w,j,k
49	091042	Fondo regolabile	Bottom shelves	g,h,i,l,m,n,o,p,q,r,s,t,u,v,z,w,j,k
50	087995	Griglia ventilatori	Protection grid	g ,h,i,l,m,n,o,p,q,r,s,t,u,v,z,w,j,k
51	038097	Reattore 16 w rc 600390V	Ballast 16 w rc 600390V	p,q,v,j
52	091047	Supporto lampada	Lamp support	o,w
52	091048	Supporto lampada	Lamp support	p,j
52	091049	Supporto lampada	Lamp support	q,k
53	091050	Montante sx	Left support	o,p,q,w,j,k
54	091051	Montante dx	Right support	o,p,q,w,j,k
55	091052	Guarnizione per montante	Support gasket	
56	091053	Shermo lampada verticale	Protection light	o,p,q,w,j,k
57	091054	Cablaggio lampada	Lamp wiring	o,p,q,w,j,k
58	091055	Shermo lampada	Protection lamp	o,w
58	091056	Shermo lampada	Protection lamp	p,j
58	091057	Shermo lampada	Protection lamp	q,k
59	091058	Vetro superiore	Upper glass	o,w
59	091059	Vetro superiore	Upper glass	p,j
59	091060	Vetro superiore	Upper glass	q,k
60	088261	Cuscinetto	Bearing	o,p,q,w,j,k
61	088042	Maniglia per porte scorrevoli	Sliding door handle	o,p,q,w,j,k
62	099190	Guarnizione anteriore	Front gasket	o,p,q,w,j,k
63	099189	Guarnizione posteriore	Back gasket	o,p,q,w,j,k
64	091061	Guida superiore per porte	Upper guide	o,w
64	091062	Guida superiore per porte	Upper guide	p,j
64	091063	Guida superiore per porte	Upper guide	q,k
65	091064	Guida inferiore	Lower guide	o,w
65	091065	Guida inferiore	Lower guide	p,j
65	091066	Guida inferiore	Lower guide	q,k
66	091067	Vetro laterale Dx	Side glass (right)	o,p,q,w,j,k
67	091068	Vetro laterale Sx	Side glass (left)	o,p,q,w,j,k
68	091069	Supporto inferiore vetro laterale	Lower support for side glass	o ,p,q,w,j,k
69	091070	Distanziale supporto	Spacer support	o,p,q,w,j,k
70	091071	Perno per vetro laterale	Spacer for side glass	o,p,q,w,j,k
71	091072	Vetro ripiano superiore	Upper glass shelf	o,w
71	091073	Vetro ripiano superiore	Upper glass shelf	p,j
71	091074	Vetro ripiano superiore	Upper glass shelf	q,k
72	091075	Supporto ripiano superiore sx	Left upper support	o,p,q,w,j,k
73	091076	Supporto ripiano superiore dx	Right upper support	o ,p,q,w,j,k
74	091077	Vetro ripiano inferiore	Lower glass shelf	o ,w
74	091078	Vetro ripiano inferiore	Lower glass shelf	p,j
74	091079	Vetro ripiano inferiore	Lower glass shelf	q,k
75	091080	Supporto ripiano inferiore sx	Left lower support	o ,p,q,w,j,k
76	091081	Supporto ripiano inferiore dx	Right lower support	o ,p,q,w,j,k
77	091299	Paracolpo per ripiano	Bumper glass shelf	o,p,q,w,j,k
78	091092	Ferma vassoi	Stopper tray	o ,w
78	091083	Ferma vassoi	Stopper tray	p,j
78	091084	Ferma vassoi	Stopper tray	q,k
79	091020	Neon 16w	Neon 16w	o,p,q

Drop in

PNC REF	PNC REF	PNC REF	PNC REF	PNC REF	PNC REF	PNC REF	PNC REF	PNC REF
340229 a	340259 h	340272 q	340274 w					
340228 b	340260 i	340261 r	340275 j					
340230 c	340264 l	340262 s	340276 k					
340218 d	340265 m	340263 t						
340219 e	340266 n	340267 u						
340220 f	340270 o	340268 v						
340258 g	340271 p	340269 z						

Pos	Code	Descrizione	Description	Ref. / Notes
80	091086	Porta scorrevole 2gn dx	Slidingdoor right 2 gn	o,w
80	091087	Porta scorrevole 3gn dx	Slidingdoor right 3 gn	p,j
80	091088	Porta scorrevole 4gn dx	Slidingdoor right 4 gn	q,k
81	091127	Porta scorrevole 2gn sx	Slidingdoor left 2 gn	o,w
81	091128	Porta scorrevole 3gn sx	Slidingdoor left 3 gn	p,j
81	091129	Porta scorrevole 4gn sx	Slidingdoor left 4 gn	q,k
82	832r02000	Kit di fissaggio	Kit of fix	
83	091322	Fissaggio in plastica inetrno super.	Upper support internal to glass	
84	091321	Spessore esterno superiore	Upper rubber esternal to glass	
85	091320	Fissaggio in aisi esterno superio.	Upper support external to glass	
86	091318	Spessore in plastica inferiore	Lower rubber for glass	
87	091319	Supporto inferiore vetro	Lower support for glass	
88	091324	Vetro frontale 2gn	Frontal glass 2 gn	w
88	091325	Vetro frontale 3gn	Frontal glass 3 gn	j
88	091326	Vetro frontale 4gn	Frontal glass 4 gn	k
89	091299	Supporto a ventosa per ripiano	Suction cup to upper support	
90	092262	Struttura per due gn fredda	Cold gantry complete	l,b
90	092261	Struttura per tre gn fredda	Cold gantry complete	m,a,v
90	091732	Struttura per quattro gn fredda	Cold gantry complete	n,c,z
100	091466	Vetrino trasparente Dixell	Glass cover to dixell	
101	091468	Copertura sx dixell	Left cover dixell	
102	091467	Copertura dx dixell	Right cover dixell	