

**GRIGLIA GAS E700XP
GAS CHARBROILER E700XP**

PNC	Model	Pag.	Brand	Ref	Notes
371042	E7GRGDGC0P		ELUX	A	GRILL TOP HP 400 MM
371043	E7GRGHGC0P		ELUX	B	GRILL TOP HP 800 MM
372042	Z7GRGDGC0P		ZAN	C	GRILL TOP HP 400 MM
372043	Z7GRGHGC0P		ZAN	D	GRILL TOP HP 800 MM
371243	E7GRTDGC0P		ELUX	A	GRILL TOP HP 400 MM TOWN GAS
371244	E7GRTHGC0P		ELUX	B	GRILL TOP HP 800 MM TOWN GAS
372243	Z7GRTDGC0P		ZAN	C	GRILL TOP HP 400 MM TOWN GAS
372244	Z7GRTHGC0P		ZAN	D	GRILL TOP HP 800 MM TOWN GAS

Pagina / Page 2 Vista generale / Main view
Pagina / Page 3 Gas components / componenti gas
Pagina / Page 4/5 Liste ricambi / Spare part list
Pagina / Page 6 Liste ugelli / Nozzle list

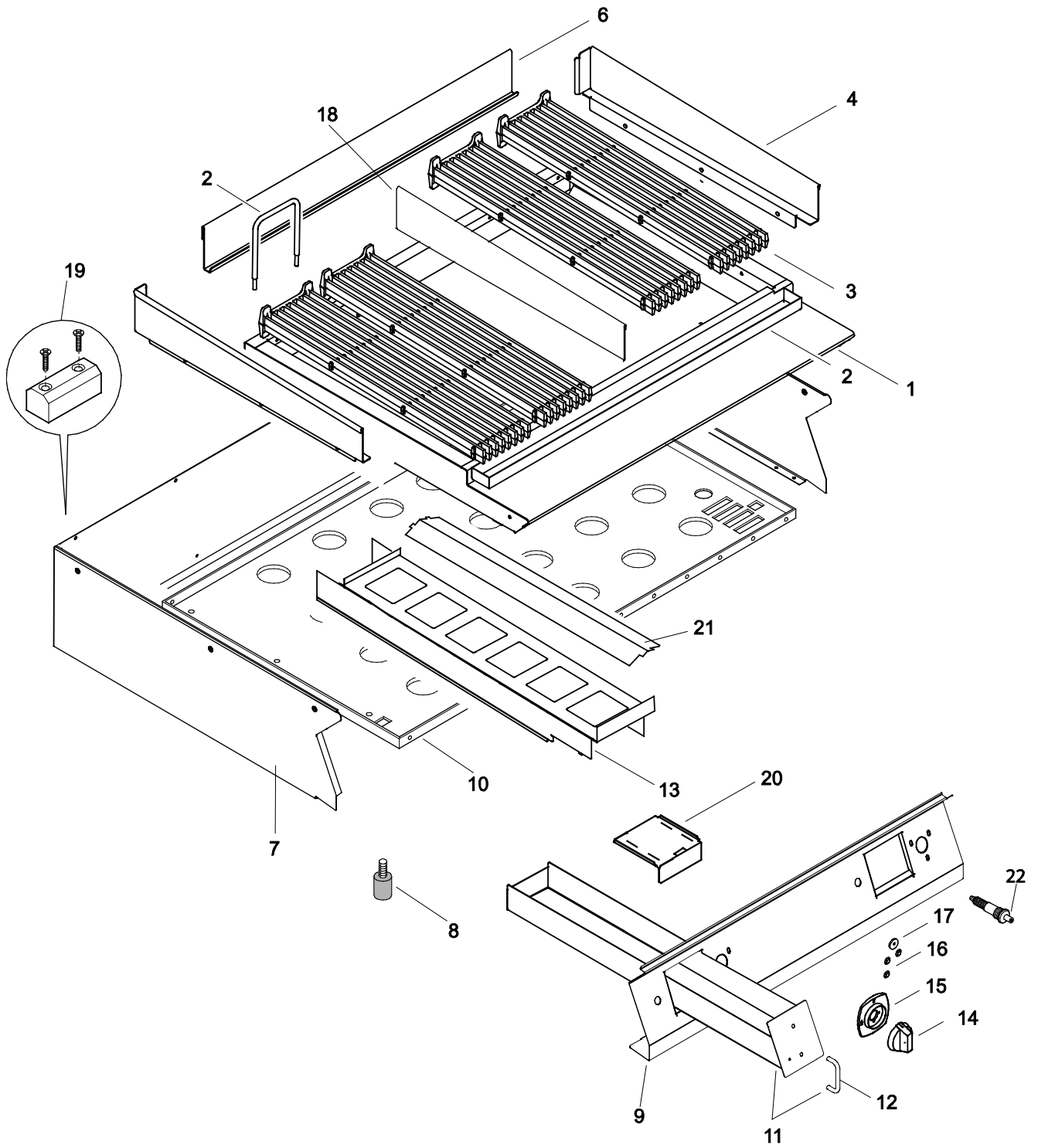
PDX2012-05
PDX2012-05

New
OCA156

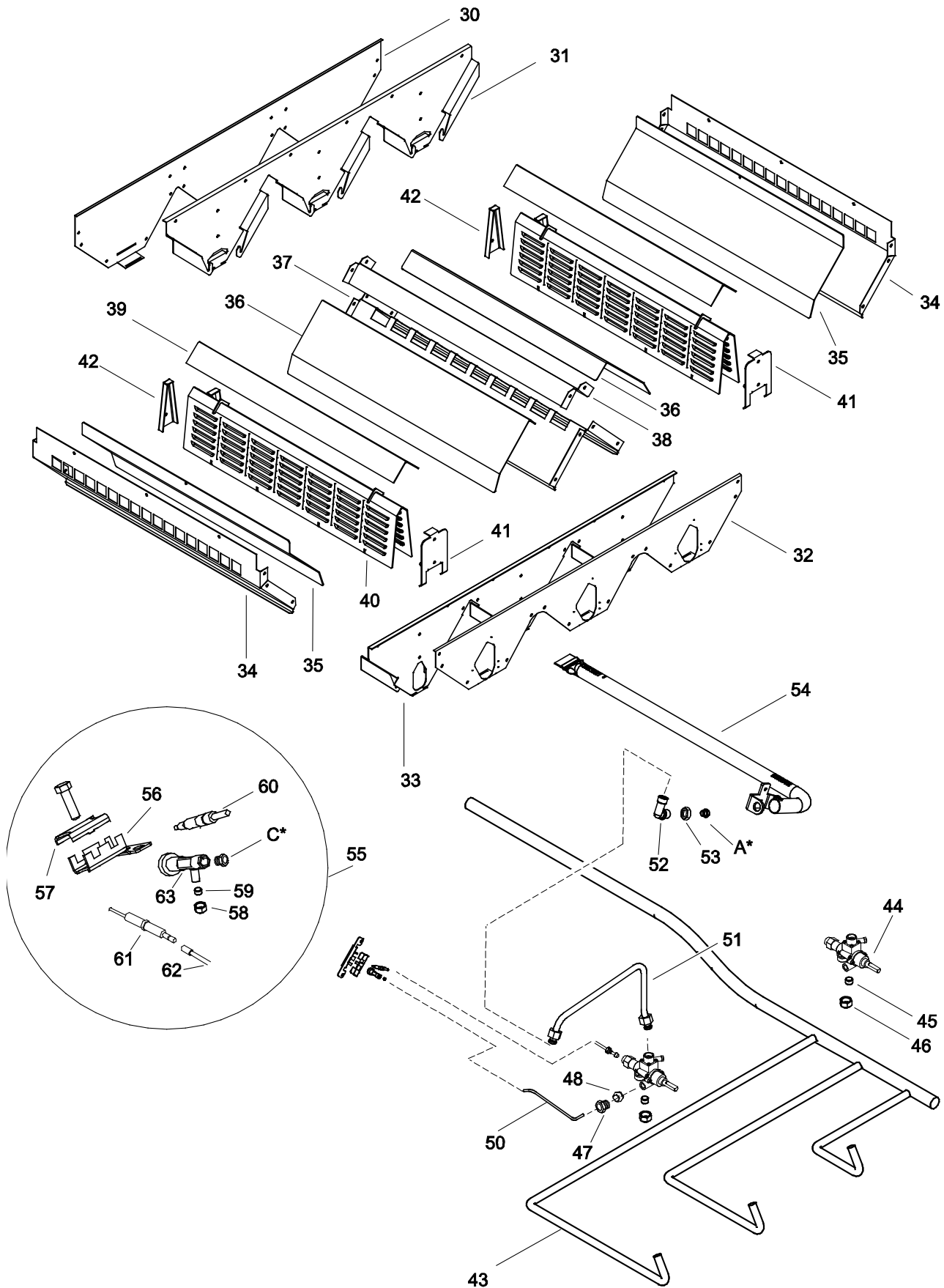
Marchio/ Brand:

Paese/ Country:Tutti / All

Vista generale / Main view



Gas components / componenti gas



<i>Pos</i>	<i>Spare part Code</i>	<i>Factory Code</i>	<i>Descrizione</i>	<i>Description</i>	<i>Ref./Note</i>
1	OC8537	85089CU01	RIPIANO	WORK TOP	A
1	OC8536	85089CT00	RIPIANO	WORK TOP	B
1	OC8539	85089KZ01	RIPIANO	WORK TOP	C
1	OC8538	85089L000	RIPIANO	WORK TOP	D
2	OC6148	511834900	MANIGLIA PER GRIGLIA	GRID HANDLE	
3	OC8508	510828B00	GRIGLIA DI COTTURA IN GHISA	CAST IRON GRID	
4	OC8542	5038A6X00	PARASPRUZZI DESTRO	RIGHT SIDE SPLASHBACK	
5	OC8543	5038A6W00	PARASPRUZZI SINISTRO	LEFT SIDE SPLASHBACK	
6	OC7277	50389L001	PARASPRUZZI POSTERIORE	BACK SIDE SPLASHBACK	A,C
6	OC7376	50389L101	PARASPRUZZI POSTERIORE	BACK SIDE SPLASHBACK	B,D
7	OC8544	85089F701	FASCIA	EXTERNAL PANEL	A
7	OC7536	85089F801	FASCIA	EXTERNAL PANEL	B
7	OC7268	85089FA01	FASCIA	EXTERNAL PANEL	C
7	OC8464	85089FB01	FASCIA	EXTERNAL PANEL	D
8	O26806	315252601	PIEDINO	FOOT	
9	OC7384	85589D001	CRUSCOTTO	CONTROL PANEL	A
9	OC7144	85589AF01	CRUSCOTTO	CONTROL PANEL	B
9	OC7482	85589D201	CRUSCOTTO	CONTROL PANEL	C
9	OC7214	85589CS00	CRUSCOTTO	CONTROL PANEL	D
10	*	5038A6U01	FONDO		A,C
10	*	5038A6V01	FONDO		B,D
11	OC8540	85089L200	CASSETTO + MANIGLIA	DRAWER + HANDLE	
12	OC6653	50389CM01	MANIGLIA	HANDLE	
13	*	50489LT00	SUPPORTO GUIDA CASSETTO	SUPPORT FOR DRAWER RUNNER	
14	OC7180	548878001	MANOPOLA	KNOB	C,D
14	OC6670	511850G01	MANOPOLA	KNOB	A,B until s/n 219 PDX2012-05
14	OC8646	54887AW00	MANOPOLA	KNOB	A,B after s/n 220 PDX2012-05
15	OC7938	54887A300	GHIERA	KNOB RING	C,D
15	OC7178	548877X00	GHIERA	KNOB RING	A,B
16	069567	218912211	MOLLETTA FISSAGGIO GHIERA	RING CONNECTION	
17	OC6171	541813800	RONDELLA IN SILICONE	WASHER; SILICONE	
18	OC9729	50489N000	DIVISORIO GRIGLIA	GRILL SEPARATOR	B,D
19	OC0137	516860702	PIASTRINA FISSAGGIO	PLATE FOR REAR JOINT	
20	*	50489LT01	PROTEZIONE GUIDA CASSETTO	COVER FOR DRAWER GUIDE	
21	*	50489M901	PROTEZIONE CASSETTO	COVER FOR DRAWER	
22	059251	835829600	ACCENDITORE PIEZO	PIEZOELECTRIC IGNICTER	
30	*	50489JV01	SCHERMO POSTERIORE	REAR SHIELD	A,C
30	*	50489FY02	SCHERMO POSTERIORE	REAR SHIELD	B,D
31	*	50489JZ01	SUPPORTO POSTERIORE SPECCHI	REAR SUPPORT FOR SHIELD	A,C
31	*	50489G201	SUPPORTO POSTERIORE SPECCHI	REAR SUPPORT FOR SHIELD	B,D
32	*	50489JU02	SCHERMO ANTERIORE	FRONT SHIELD	A,C
32	*	50489FW04	SCHERMO ANTERIORE	FRONT SHIELD	B,D
33	*	50489JY01	SUPPORTO ANTERIORE SPECCHI	FRONT SUPPORT FOR SHIELD	A,C
33	*	50489G002	SUPPORTO ANTERIORE SPECCHI	FRONT SUPPORT FOR SHIELD	B,D
34	*	50489MD01	PARETE LATERALE CAMERA COMB.	SIDE PANEL OF COMB. CHAMBER	A,C
34	*	50489LU00	PARETE LATERALE CAMERA COMB.	SIDE PANEL OF COMB. CHAMBER	B,D
35	*	50489MC01	SPECCHIO LATERALE	SIDE SHIELD	A,C
35	OCA156	50489M001	SPECCHIO LATERALE	SIDE SHIELD	B,D
36	*	50489M101	SPECCHIO CENTRALE	CENTRAL SHIELD	
37	*	50489LZ00	PARETE CENTRALE CAMINO	CENTRAL SUPPORT FOR SHIELDS	B,D
38	*	50589DP00	COPPO CENTRALE	CENTRAL TILE	B,D
39	*	50489LS00	TEGOLO	TILE	
40	OCA534	83089H102	RADIATORE	RADIATOR	

<i>Pos</i>	<i>Spare part Code</i>	<i>Factory Code</i>	<i>Descrizione</i>	<i>Description</i>	<i>Ref./Note</i>
41	0C9234	505899M03	BASE GUIDA ANT.SUPP.RADIATORE	SUPPORT FRONTAL	
42	*	50589C901	BASE GUIDA POST.RADIATORE	SUPPORT REAR	
43	0C8535	85589F601	RIBALTA	GAS MANIFOLD	A,C
43	0C8534	85589F501	RIBALTA	GAS MANIFOLD	B,D
44	0C7371	835875R00	RUBINETTO GAS	SAFETY GAS TAP	untill s/n 210
44	0C8647	835875R01	RUBINETTO GAS	SAFETY GAS TAP	PDX2012-05
45	054979	515860200	OGIVA DA 12	DOUBLE CONE	from s/n 220
46	050670	214111412	DADO M 20 X 1,5	NUT	PDX2012-05
47	052125	214164400	RACCORDO	JUNCTION	
48	052127	215199700	BICONO DIAM. 4	DOUBLE CONE DIAM. 4	
50	0C7172	51589A003	CONDUTTURA BRUCIATORE PILOTA	PILOT PIPE	
51	0C7374	80589AM01	CONDUTTURA RUBINETTO-BRUC.	GAS PIPE GAS TAP-BURNER	
52	059375	511805801	PORTAUGELLO	INJECTOR HOLDER	
53	020997	214105101	CONTRODADO PORTAUGELLO	LOCK NUT	
54	0C8533	85589F303	BRUCIATORE PRINCIPALE	MAIN BURNER	
55	*	83089FB05	ASSIEME BRUCIATORE (pilota)	BURNER ASSEMBLY (pilot)	complete as view
56	*	50689BZ01	SUPPORTO PILOTA	PILOT SUPPORT	
57	*	50689C001	CONTROSTAFFA PILOTA	PILOT BRACKET	
58	052125	214164400	RACCORDO M10X1 DIAM.4	CONNECTION M8X1	
59	052127	215199700	BICONO; DIA.4	DOUBLE CONE; DIA.4	
59	053665	515827401	BICONO; DIA.4	DOUBLE CONE; DIA.4	
60	052814	830852900	TERMOCOPPIA; M9X1 L=60 CM	THERMOCOUPLE; M9X1, L=60 CM	
61	0C7141	569807J00	ELETTRODO DI ACCENSIONE	SPARK PLUG	
62	006514	638883500	CAVETTO DI ACCENSIONE	IGNITION CABLE	
63	0C7140	83089F601	ASSIEME PILOTA	PILOT ASSEMBLY	

A - Ugello bruciatore / Burner nozzle		
SPARE PART CODE	FACTORY CODE	REF / NOTES
0A2301	A05178000	ø1.95 2H/2E+ G20 20mbar
0A2077	A05176400	Ø1,85 2H G20 25mbar
056795	A05230100	ø2.20 2ELL G25 20mbar
058335	A05620700	ø2.05 2L G25 25mbar
0A2105	A05158200	Ø2.10 2S G25.1 25 mbar
002393	516809800	ø1.30 3+3B/P G30 30mbar
0A2101	A05158000	ø1.25 3B/P G30 37mbar
0A2650	A05661500	ø1.20 3B/P G30 50mbar
059423	514888100	Ø4.60 1a G110 8mbar
059632	514888800	Ø4.05 1b G120 8mbar

C - Ugello Pilota / Pilot Burner nozzle		
SPARE PART CODE	FACTORY CODE	REF / NOTES
058525	830803600	n°30 2H/2E+ G20 20mbar
058525	830803600	n°30 2H G20 25mbar
058525	830803600	n°30 2ELL G25 20mbar
058525	830803600	n°30 2L G25 25mbar
058525	830803600	n°30 2S G25.1 25 mbar
056799	A05447200	n°20 3+3B/P G30 30mbar
056799	A05447200	n°20 3B/P G30 37mbar
056799	A05447200	n°20 3B/P G30 50mbar
056798	A05414700	n°70 1a G110 8mbar
056798	A05414700	n°70 1b G120 8mbar

B - Vite minimo / Min. screw		
SPARE PART CODE	FACTORY CODE	REF / NOTES
002923	835837000	ø1.80 2H/2E+ G20 20mbar
002923	835837000	ø1.80 2H G20 25mbar
002923	835837000	ø1.80 2ELL G25 20mbar
002923	835837000	ø1.80 2L G25 25mbar
002923	835837000	ø1.80 2S G25.1 25 mbar
002392	835802000	ø0,95 3+3B/P G30 30mbar
052605	835801200	ø0.90 3B/P G30 37mbar
056743	835807400	ø0.80 3B/P G30 50mbar
-	adjust	- 1a G110 8mbar
-	adjust	- 1b G120 8mbar