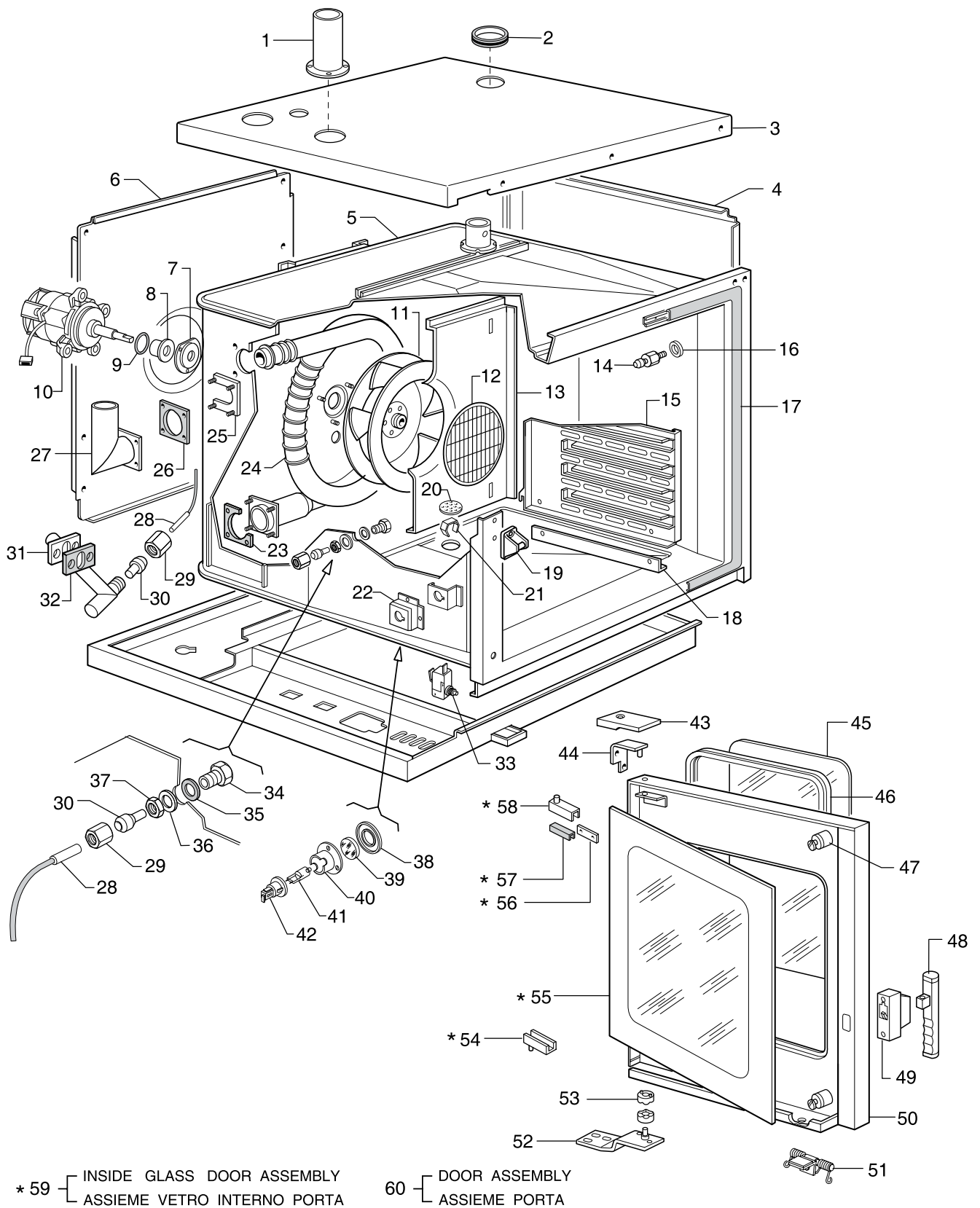


10 GN 1/1 AND 10 GN 2/1 GAS STEAM - CONVECTION OVEN
FORNO CONVEZIONE - VAPORE GAS 10 GN 1/1 E 10 GN 2/1

PNC	Model	Ref.	Page	Notes	
240 119	FCV/G 10 1/1	c	1-2-3-4	Zanussi -Japan 60Hz	Level/Livello 6
240 120	FCV/G 10 2/1	d	1-2-3-4	Zanussi -Japan 60Hz	Level/Livello 6
240 182	FCV/G 10 1/1	a	1-2-3-4	Zanussi	Level/Livello 6
240 184	FCV/G 10 2/1	b	1-2-3-4	Zanussi	Level/Livello 6
260 782	ECV/G 10 1/1	e	1-2-3-4	Electrolux	Level/Livello 6
260 784	ECV/G 10 2/1	f	1-2-3-4	Electrolux	Level/Livello 6
697 872	ACV/G 10 1/1	l	1-2-3-4	Alpeninox	Level/Livello 6
697 874	ACV/G 10 2/1	m	1-2-3-4	Alpeninox	Level/Livello 6
775 082	ZCV/G 10 1/1	g	1-2-3-4	Zoppas	Level/Livello 6
775 084	ZCV/G 10 2/1	h	1-2-3-4	Zoppas	Level/Livello 6

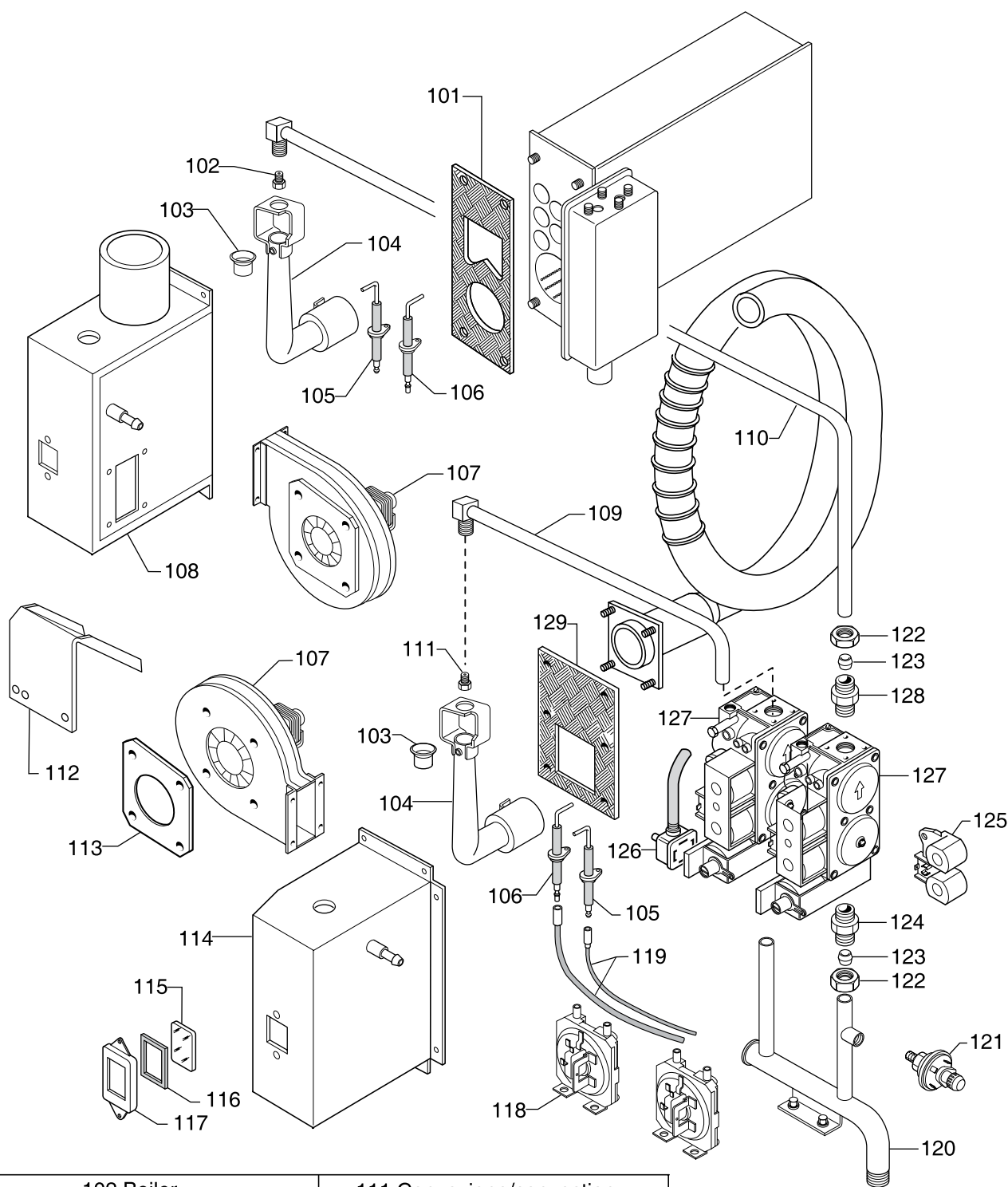
	Index	Indice
Pag. 1	Oven cabinet and door	Cella forno e porta
2	Gas components	Componenti gas
3	Water system	Impianto idraulico
4	Electrical components	Componenti elettrici
5-10	Spare parts list	Lista ricambi

Brand / Marchio : Z-E-P-A
Factory code: 9731



10 GN 1/1 AND 10 GN 2/1 GAS STEAM-CONVECTION OVEN
FORNO CONVEZIONE-VAPORE GAS 10 GN 1/1 E 10 GN 2/1

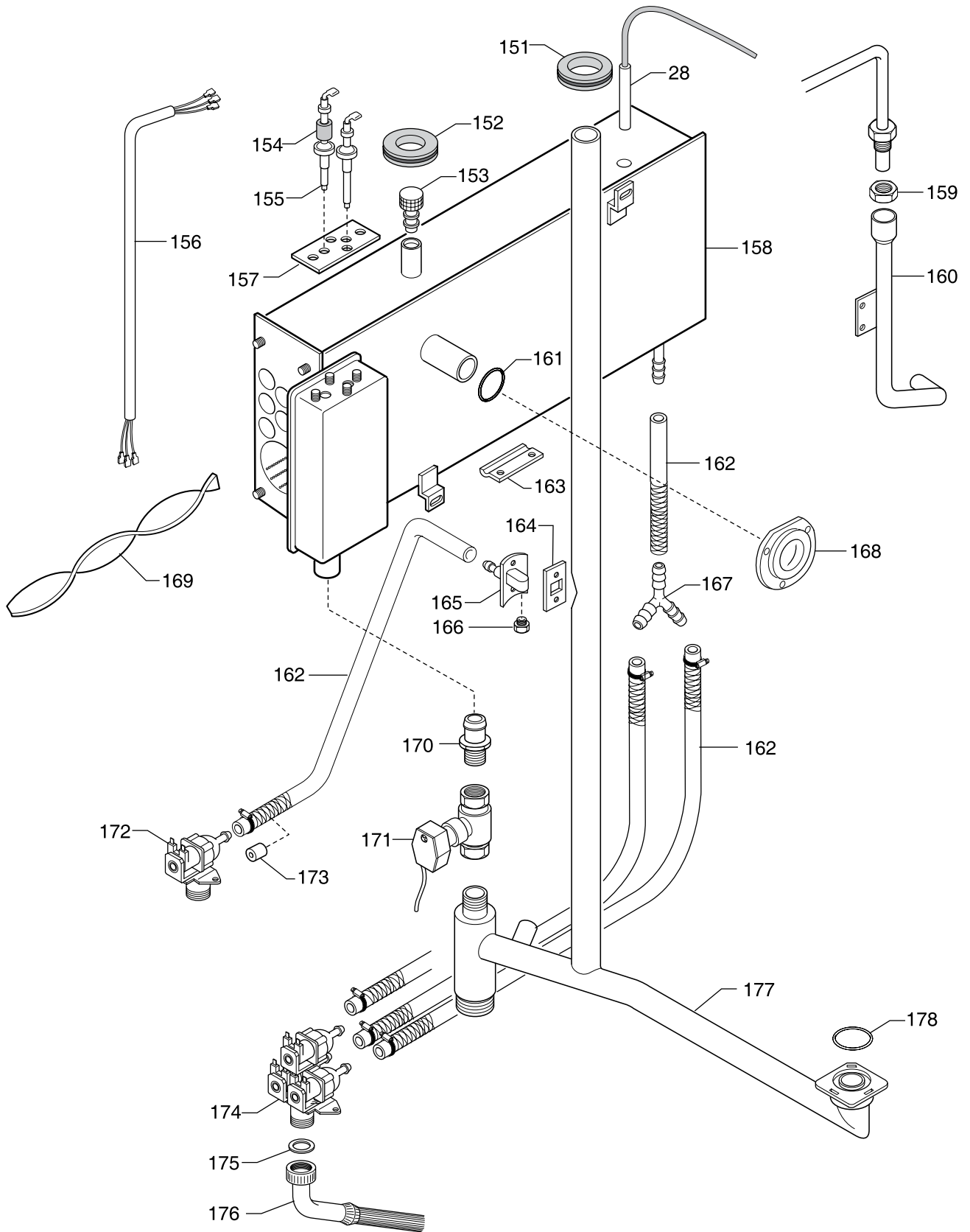
LEVEL / LIVELLO 6



102 Boiler				111 Convezione/convection			
59359	ø 3,60 G.N.	cat."H-E-L"	acegl	59359	ø 3,60 G.N.	cat."H-E-L"	acegl
59528	ø 3,95 G.N.	cat."H-E-L"	bdfhm	02864	ø 4,50 G.N.	cat."H-E-L"	bdfhm
02866	ø 3,90 G.N.	cat." LL"	acegl	02866	ø 3,90 G.N.	cat." LL"	acegl
02863	ø 4,35 G.N.	cat." LL"	bdfhm	A2305	ø 5,20 G.N.	cat." LL"	bdfhm
A2081	ø 2,30 G.P.L.	30-37 mbar	acegl	A2081	ø 2,30 G.P.L.	30-37 mbar	acegl
59382	ø 2,50 G.P.L.	30-37 mbar	bdfhm	59358	ø 2,85 G.P.L.	30-37 mbar	bdfhm
A2102	ø 2,00 G.P.L.	50 mbar	acegl	A2102	ø 2,00 G.P.L.	50 mbar	acegl
A2083	ø 2,20 G.P.L.	50 mbar	bdfhm	58980	ø 2,45 G.P.L.	50 mbar	bdfhm

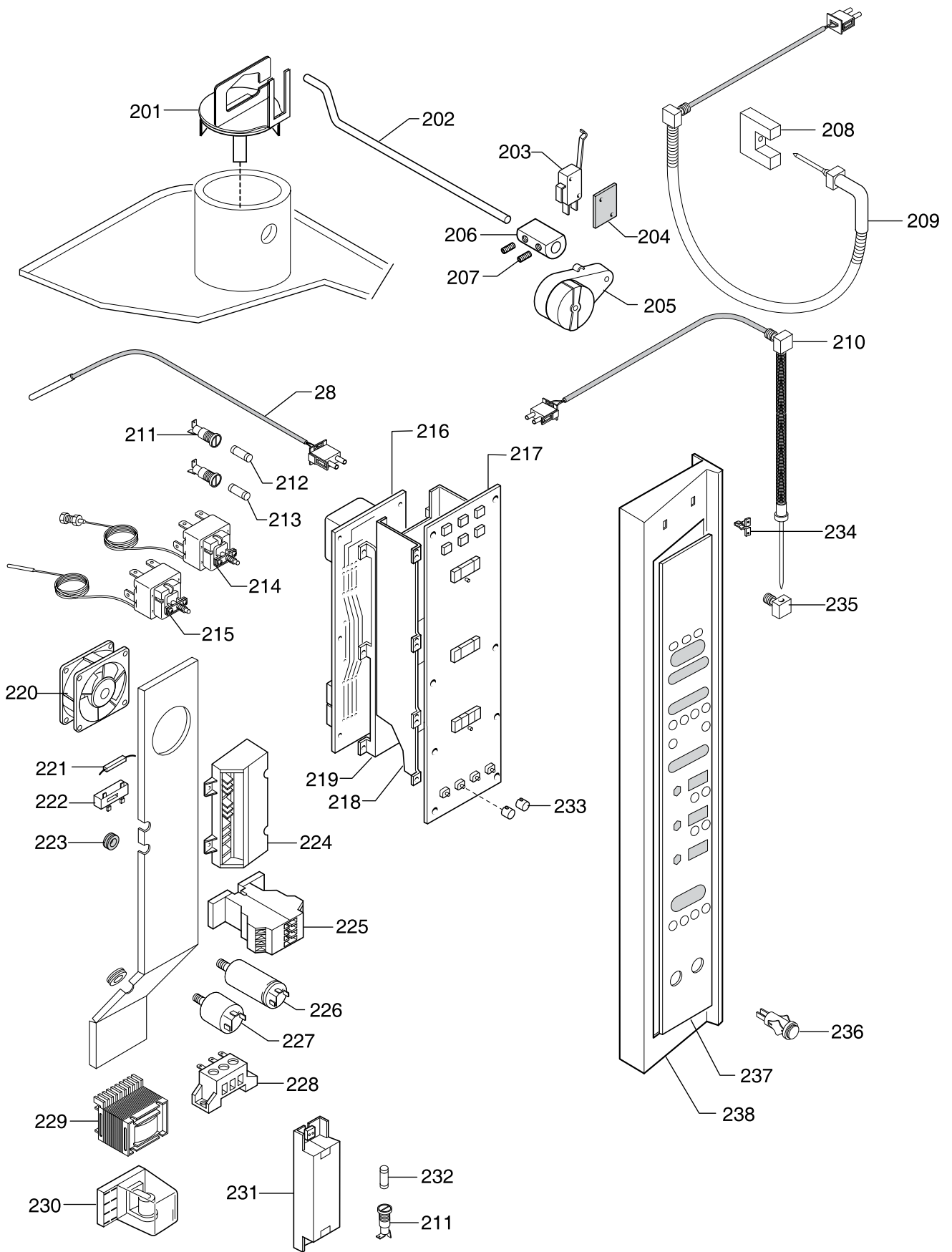
10 GN 1/1 AND 10 GN 2/1 GAS STEAM-CONVECTION OVEN
 FORNO CONVEZIONE-VAPORE GAS 10 GN 1/1 E 10 GN 2/1

LEVEL / LIVELLO 6



10 GN 1/1 AND 10 GN 2/1 GAS STEAM-CONVECTION OVEN
 FORNO CONVEZIONE-VAPORE GAS 10 GN 1/1 E 10 GN 2/1

LEVEL / LIVELLO 6



10 GN 1/1 AND 10 GN 2/1 GAS STEAM-CONVECTION OVEN
 FORNO CONVEZIONE-VAPORE GAS 10 GN 1/1 E 10 GN 2/1

LEVEL / LIVELLO 6

10 Gn 1/1 and 10 Gn 2/1 Gas steam - convection oven
Forno convezione - vapore gas 10 Gn 1/1 e 10 Gn 2/1 **Level / Livello 6**

PNC	Model	Ref.	PNC	Model	Ref.	PNC	Model	Ref.
240 182	FCV/G 10 1/1	a	260 782	ECV/G 10 1/1	e	775 084	ZCV/G 10 2/1	h
240 184	FCV/G 10 2/1	b	260 784	ECV/G 10 2/1	f	697 872	ACV/G 10 1/1	i
240 119	FCV/G 10 1/1	c	775 082	ZCV/G 10 1/1	g	697 874	ACV/G 10 2/1	m
240 120	FCV/G 10 2/1	d						

Pos	Code	Descrizione	Description	Ref. / Notes
		Pagina 1	Page 1	
1	002630	Raccordo x camino	Pipe, chimney	
2	053829	Gommino x sfiato vapori	Stuffing gasket, air steam	
3		Coperchio	Lid	acegl art. 502849302
3		Coperchio	Lid	bdfhm art. 521848201
4		Fianco dx	Side panel, R.H.	acegl art. 521836002 R.H.
4		Fianco sx	Side panel, L.H.	acegl art. 521836102 L.H.
4		Fianco dx	Side panel, R.H.	bdfhm art. 521847901 R.H.
4		Fianco sx	Side panel, L.H.	bdfhm art. 521848001 L.H.
5		Cella forno	Oven cabinet	acegl art. 850852709
5		Cella forno	Oven cabinet	bdfhm art. 850854009
6		Schienale	Back panel	acegl art. 521855803
6		Schienale	Back panel	bdfhm art. 521836204
7		Flangia x cuscinetto	Bearing flange	art. 508839300
8	002699	Cuscinetto	Bearing	
9	002873	Anello OR	O-Ring	
10	002698	Motore	Motor	aegl
10	002748	Motore	Motor	bdfhm
10	005314	Motore	Motor	c
10	005330	Motore	Motor	d
11	002617	Ventola	Fan	aegl 50 Hz
11	002139	Ventola	Fan	c 60 Hz
11	002740	Ventola	Fan	bdfhm 50 Hz
11	002138	Ventola	Fan	d 60 Hz
12	002618	Protezione ventola	Fan protection	acegl
12	002741	Protezione ventola	Fan protection	bdfhm
13	003056	Parete aspirazione	Suction wall	acegl
13	003210	Parete aspirazione	Suction wall	bdfhm
14	004390	Supporto x diffusori	Light diffuser support	
15	002619	Diffusore Dx	Light diffuser, R.H.	acegl R.H.
15	002621	Diffusore Sx	Light diffuser, L.H.	acegl L.H.
15	002743	Diffusore Dx	Light diffuser, R.H.	bdfhm R.H.
15	002742	Diffusore Sx	Light diffuser, L.H.	bdfhm L.H.
16	003225	Distanziale x supporto	Spacer, support	
17	002654	Guarnizione cella	Gasket, oven cabinet	
18	003077	Prolunga diffusore Dx	Extension, R.H.light diffuser	acegl R.H.
18	003078	Prolunga diffusore Sx	Extension, L.H.light diffuser	acegl R.H.
19	002650	Nasello	Catch	
20	056444	Filtro	Filter	
21	054905	Molla	Spring	
22	004072	Flangia x lampada	Flange, lampe	
23	002629	Guarnizione, scambiatore	Gasket, heat exchanger	acegl Till to wk 41/1997
23	002745	Guarnizione, scambiatore	Gasket, heat exchanger	bdfhm Till to wk 46/1997

10 Gn 1/1 and 10 Gn 2/1 Gas steam - convection oven
Forno convezione - vapore gas 10 Gn 1/1 e 10 Gn 2/1 Level / Livello 6

PNC	Model	Ref.	PNC	Model	Ref.	PNC	Model	Ref.
240 182	FCV/G 10 1/1	a	260 782	ECV/G 10 1/1	e	775 084	ZCV/G 10 2/1	h
240 184	FCV/G 10 2/1	b	260 784	ECV/G 10 2/1	f	697 872	ACV/G 10 1/1	i
240 119	FCV/G 10 1/1	c	775 082	ZCV/G 10 1/1	g	697 874	ACV/G 10 2/1	m
240 120	FCV/G 10 2/1	d						

Pos	Code	Descrizione	Description	Ref. / Notes
23	003873	Guarnizione, scambiatore	Gasket, heat exchanger	acegl From wk 42/1997
23	003882	Guarnizione, scambiatore	Gasket, heat exchanger	bdfhm From wk 47/1997
24	002703	Scambiatore di calore forno	Heat exchanger, oven	acegl Till to wk 41/1997
24	002744	Scambiatore di calore forno	Heat exchanger, oven	bdfhm Till to wk 46/1997
24	003881	Scambiatore di calore forno	Heat exchanger, oven	acegl From wk 42/1997
24	003884	Scambiatore di calore forno	Heat exchanger, oven	bdfhm From wk 47/1997
25		Flangia fissaggio scambiatore	Flange, heat exchanger	acegl art. 806805200
25		Flangia fissaggio scambiatore	Flange, heat exchanger	bdfhm art. 806805300
26	002704	Guarnizione,camino scambiatore	Gasket,exhaust chimney	acegl Till to wk 41/1997
26	002746	Guarnizione,camino scambiatore	Gasket,exhaust chimney	bdfhm Till to wk 41/1997
26	003875	Guarnizione,camino scambiatore	Gasket,exhaust chimney	From wk 42/1997
27		Camino scambiatore	Heat exchanger chimney	art. 805883003
28	002615	Sonda PT 1000	Probe	
29	002702	Dado x sonda	Nut, probe	
30	002701	Portasonda	Probe holder	
31		Tubo by pass	By pass, pipe	art. 805887301
32	002614	Guarnizione x tubo by pass	Gasket, by pass pipe	
33	046063	Microinterruttore	Microswitch	
34	002623	Raccordo x sonda	Nipple, probe	
35	002624	Guarnizione x raccordo	Gasket, nipple	
36	002700	Rondella	Washer	
37	020997	Controdado	Lock nut	
38	002628	Flangia x lampada	Flange, lampe	
39	002627	Vetro x lampada	Glass, lampe	
40	002626	Guarnizione x lampada	Gasket, lampe	
41	002956	Lampada	Lampe	
42	002709	Porta lampada	Lamp holder	
43	002655	Copricerniera	Hinge cover	abcd
43	002817	Copricerniera	Hinge cover	efgh
44	002651	Cerniera superiore	Upper hinge	
45	002644	Vetro porta	Glass, door	abcdlm
45	005254	Vetro porta	Glass, door	ef
45	002729	Vetro porta	Glass, door	gh
46	002878	Guarnizione x vetro	Gasket, glass	
47	004838	Bloccavetro	Glass block	
48	002717	Maniglia porta	Handle, door	abcd
48	002722	Maniglia porta	Handle, door	efgh
48	0A5320	Maniglia porta	Handle, door	lm
49	002647	Serratura porta	Lock, door	
50	002642	Porta forno	Door, oven	
51	003773	Dispositivo di scarico condensa	Discharge hose	
52	002652	Cerniera inferiore	Lower hinge	

10 Gn 1/1 and 10 Gn 2/1 Gas steam - convection oven
Forno convezione - vapore gas 10 Gn 1/1 e 10 Gn 2/1 Level / Livello 6

PNC	Model	Ref.	PNC	Model	Ref.	PNC	Model	Ref.
240 182	FCV/G 10 1/1	a	260 782	ECV/G 10 1/1	e	775 084	ZCV/G 10 2/1	h
240 184	FCV/G 10 2/1	b	260 784	ECV/G 10 2/1	f	697 872	ACV/G 10 1/1	i
240 119	FCV/G 10 1/1	c	775 082	ZCV/G 10 1/1	g	697 874	ACV/G 10 2/1	m
240 120	FCV/G 10 2/1	d						

Pos	Code	Descrizione	Description	Ref. / Notes
53	002653	Cilindri dentati cerniera	Hinge teeth cylinders	
54	002875	Cerniera inferiore vetro	Lower hinge glass	
55	002646	Vetro interno porta	Glass, inner door	
56	002877	Piastrina	Plate	
57	002645	Guarnizione vetro interno	Gasket, inner door	
58	002876	Cerniera superiore vetro	Upper hinge glass	
59	003541	Assieme vetro interno	Inside glass assembly	
60		Assieme porta	Door assembly	abcdlm art. 874857107
60		Assieme porta	Door assembly	ef art. 850891100
60		Assieme porta	Door assembly	gh art. 874860606
		Pagina 2	Page 2	
101	002706	Guarnizione x camera comb. boiler	Gasket, boiler chamber	
102	059359	Ugello ø 3,60	Nozzle ø 3,60	acegl G.N. cat."H-E-L"
102	059528	Ugello ø 3,95	Nozzle ø 3,95	bdfhm G.N. cat."H-E-L"
102	002866	Ugello ø 3,90	Nozzle ø 3,90	acegl G.N. cat."LL"
102	002863	Ugello ø 4,35	Nozzle ø 4,35	bdfhm G.N. cat."LL"
102	0A2081	Ugello ø 2,30	Nozzle ø 2,30	acegl G.P.L. 30-37 mbar
102	059382	Ugello ø 2,50	Nozzle ø 2,50	bdfhm G.P.L. 30-37 mbar
102	0A2102	Ugello ø 2,00	Nozzle ø 2,00	acegl G.P.L. 50 mbar
102	0A2083	Ugello ø 2,20	Nozzle ø 2,20	bdfhm G.P.L. 50 mbar
103	051774	Boccola x bruciatore	Bush, burner	
104	002636	Bruciatore	Burner	
105	002637	Candela accensione fiamma	Spark plug, ignition	
106	002638	Candela controllo fiamma	Spark plug, control	
107	002639	Motoventilatore	Fan motor	
108		Camera combustione boiler	Chamber, boiler combustion	art. 850852002
109	0CA175	Conduttura valvola bruciatore	Pipe, burner valve	acegl art. 805882904
109		Conduttura valvola bruciatore	Pipe, burner valve	bdfhm art. 805888501
110		Conduttura valvola bruciatore	Pipe, burner valve	acegl art. 805882803
110		Conduttura valvola bruciatore	Pipe, burner valve	bdfhm art. 805888401
111	059359	Ugello ø 3,60	Nozzle ø 3,60	acegl G.N. cat."H-E-L"
111	002864	Ugello ø 4,50	Nozzle ø 4,50	bdfhm G.N. cat."H-E-L"
111	002866	Ugello ø 3,90	Nozzle ø 3,90	acegl G.N. cat."LL"
111	0A2305	Ugello ø 5,20	Nozzle ø 5,20	bdfhm G.N. cat."LL"
111	0A2081	Ugello ø 2,30	Nozzle ø 2,30	acegl G.P.L. 30-37 mbar
111	059358	Ugello ø 2,85	Nozzle ø 2,85	bdfhm G.P.L. 30-37 mbar
111	0A2102	Ugello ø 2,00	Nozzle ø 2,00	acegl G.P.L. 50 mbar
111	058980	Ugello ø 2,45	Nozzle ø 2,45	bdfhm G.P.L. 50 mbar
112	003954	Protezione motoventilatore	Fan motor protection	

10 Gn 1/1 and 10 Gn 2/1 Gas steam - convection oven Level / Livello 6
Forno convezione - vapore gas 10 Gn 1/1 e 10 Gn 2/1

PNC	Model	Ref.	PNC	Model	Ref.	PNC	Model	Ref.
240 182	FCV/G 10 1/1	a	260 782	ECV/G 10 1/1	e	775 084	ZCV/G 10 2/1	h
240 184	FCV/G 10 2/1	b	260 784	ECV/G 10 2/1	f	697 872	ACV/G 10 1/1	i
240 119	FCV/G 10 1/1	c	775 082	ZCV/G 10 1/1	g	697 874	ACV/G 10 2/1	m
240 120	FCV/G 10 2/1	d						

Pos	Code	Descrizione	Description	Ref. / Notes
113	002872	Flangia riduzione x motoven.	Flange, fan motor reduction	
114		Camera combustione forno	Chamber, oven combustion	acegl art. 850860102
114		Camera combustione forno	Chamber, oven combustion	bdfhm art. 850859003
115	057400	Vetro spia bruciatore	Inspection glass, burner	
116	057402	Guarnizione x vetro spia	Gasket, inspection glass	
117	057382	Cornice x vetro spia	Frame, inspection glass	
118	003772	Pressostato aria bruciatore	Pressure switch, air burner	
119		Cavetti x cndele	Cables for spark plug	acegl art. 638849500
119		Cavetti x cndele	Cables for spark plug	bdfhm art. 638849400
120		Ribalta gas	Feed pipe	art. 805883103
121	002635	Pressostato gas	Pressure switch, gas	
122	054816	Dado x bicono	Nut	
123	052671	Bicono	Doble cone	
124	002708	Raccordo x valvola gas	Nipple, gas valve	
125	002452	Bobina x valvola gas	Coil, gas valve	50Hz
126	002715	Raddrizzatore di corrente	Current rectifier	
127	002714	Valvola gas	Gas valve	50Hz
128	002716	Raccordo x valvola gas	Nipple, gas valve	
129	003874	Guarnizione x camera comb.forno	Gasket, oven chamber	acegl
129	003883	Guarnizione x camera comb.forno	Gasket, oven chamber	bdfh
Pagina 3			Page 3	
151	002610	Gommino x tubo fumane	Stuffing gasket, condens. Pipe	
152	002634	Gommino x boiler	Stuffing gasket, boiler	
153	002692	Tappo superiore x boiler	Upper stopper, boiler	
154	002633	Distanziale x sonde	Spacer, feeler	
155	002632	Sonda x livello acqua	Feeler, water level control	
156	002763	Cavetti x sonde livello	Cable, feeler	
157		Piastra x sonde	Plate, feeler	art. 508838800
158	002631	Boiler	Boiler	
159		Dado	Nut	art. 514875601
160		Tubo umidificatore	Pipe, humidifier	acegl art. 805889801
160		Tubo umidificatore	Pipe, humidifier	bdfhm art. 805891401
161	002874	Anello di tenuta	Seal ring	
162	002707	Tubo gomma corazzato	Rubber pipe	
163	002774	Supporto x bulbo termostato	Support, thermostat bulb	
164	002612	Guarnizione x portaugello	Gasket, nozzle holder	
165	002611	Portaugello	Nozzle holder	
166	056679	Ugello x tubo fumane	Nozzle	acegl
166	056681	Ugello x tubo fumane	Nozzle	bdfhm

10 Gn 1/1 and 10 Gn 2/1 Gas steam - convection oven Level / Livello 6
Forno convezione - vapore gas 10 Gn 1/1 e 10 Gn 2/1

PNC	Model	Ref.	PNC	Model	Ref.	PNC	Model	Ref.
240 182	FCV/G 10 1/1	a	260 782	ECV/G 10 1/1	e	775 084	ZCV/G 10 2/1	h
240 184	FCV/G 10 2/1	b	260 784	ECV/G 10 2/1	f	697 872	ACV/G 10 1/1	i
240 119	FCV/G 10 1/1	c	775 082	ZCV/G 10 1/1	g	697 874	ACV/G 10 2/1	m
240 120	FCV/G 10 2/1	d						

Pos	Code	Descrizione	Description	Ref. / Notes
167	047431	Raccordo a Y	Y connection	
168	005381	Flangia x boiler	Flange, boiler	
169		Turbolatore fiamma	Turbulent, flame	art. 503895900
170		Raccordo x valvola scarico	Nipple, drain valve	art. 516809501
171	002713	Valvola scarico boiler	Drain valve, boiler	
172	002613	Elettrovalvola carico acqua	Electric valve, water	
173	002728	Regolatore di portata acqua	Regulator flow, water	acegl dia. 1,80 mm
173	0A5325	Regolatore di portata acqua	Regulator flow, water	bdfhm dia. 2,00 mm
174	002712	Elettrovalvola carico acqua	Electric valve, water	
175	061488	Guarnizione	Gasket	
176	053789	Tubo carico acqua	Inlet pipe, pipe	
177		Tubo condensa fumane	Condensation pipe	acegl art.805883302
177		Tubo condensa fumane	Condensation pipe	bdfhm art.805885501
178	055323	Anello di tenuta	Seal ring	
		Pagina 4	Page 4	
201	005364	Valvola sfiato vapori cella	Vent valve assembly	
202	002697	Leva x valvola sfiato	Lever, air valve	acegl
202	002818	Leva x valvola sfiato	Lever, air valve	bdfhm
203	053671	Microinterruttore	Microswitch	
204	045404	Piastrina isolante	Microswitch, insulating plate	
205	002696	Motoriduttore	Motoreducer	
206		Boccola x leva	Bushing, lever	art.516805700
207	046258	Grano	Screw	
208	002822	Fermo x sonda spillone	Stopping, meat probe	bdfhm
209	002821	Sonda spillone	Meat probe	bdfhm
210	002673	Sonda spillone	Meat probe	acegl up to 040400..
210	006192	Sonda spillone	Meat probe	acegl from to 041400..
211	056582	Portafusibile	Fuse holder	
212	058871	Fusibile 6,3 AF	Fuse 6,3 AF	6,3 AF
213	002820	Fusibile 160 mAT	Fuse 160 mAT	160 mAT
214	002730	Termostato di sicurezza forno	Safety thermostat, oven	
215	002711	Termostato di sicurezza boiler	Safety thermostat, boiler	
216	003546	Scheda madre POW 2	Mother board POW 2	POW 2 liv.-level 6
217	002720	Scheda interfaccia UIC	Interface board UIC	UIC
218	002721	Supporto scheda UIC	Support, board	
219	002669	Supporto scheda POW 2	Support, board	
220	002656	Ventilatore	Cooling fan	
221	058872	Resistenza	Resistor	100 Ohm

10 Gn 1/1 and 10 Gn 2/1 Gas steam - convection oven Level / Livello 6
Forno convezione - vapore gas 10 Gn 1/1 e 10 Gn 2/1

PNC	Model	Ref.	PNC	Model	Ref.	PNC	Model	Ref.
240 182	FCV/G 10 1/1	a	260 782	ECV/G 10 1/1	e	775 084	ZCV/G 10 2/1	h
240 184	FCV/G 10 2/1	b	260 784	ECV/G 10 2/1	f	697 872	ACV/G 10 1/1	l
240 119	FCV/G 10 1/1	c	775 082	ZCV/G 10 1/1	g	697 874	ACV/G 10 2/1	m
240 120	FCV/G 10 2/1	d						

Pos	Code	Descrizione	Description	Ref. / Notes
222	058873	Morsettiera x resistenza	Terminal board, resistor	
223	066834	Gommino passacavo ø 4 mm	Chock gasket dia. 4 mm	dia. 4 mm
224	002641	Controllo ionizzazione	Safety device	
225	082986	Contattore K2 - 09 A10	Contactore K2 - 09 A10	cd K2 - 09 A10
226	056148	Condensatore 10 µF	Condenser 10 µF	ae gl 10 µF
226	047744	Condensatore 20 µF	Condenser 20 µF	bf hm 20 µF
226	005316	Condensatore 60 µF	Condenser 60 µF	cd 60 µF
227	059078	Filtro RFI	RIF filter	
228	046357	Morsettiera	Terminal board	
229	005321	Trasformatore 350VA / 0 ÷ 240 V	Transformer	cd 350VA / 0 ÷ 240 V
230	058857	Relè	Relay	
231	002856	Trasformatore 230V/11,5V 50VA	Transformer	ae gl 230V/11,5V 50VA
231	002749	Trasformatore 230V/11,5V 100VA	Transformer	bd fh m 230V/11,5V 100VA
232	002920	Fusibile 250 mAT	Fuse 250 mAT	ae gl 250 mAT
232	002750	Fusibile 400 mAT	Fuse 400 mAT	bd fh m 400 mAT
233	002670	Prolunga x pulsante	Extension	
234	053342	Molla	Spring	
235	002674	Fermo x sonda spillone	Stopping, meat probe	ae gl
236	002418	Pulsante	Push button	
237	002719	Membrana cruscotto	Membrane, control panel	abcd
237	005255	Membrana cruscotto	Membrane, control panel	ef
237	002733	Membrana cruscotto	Membrane, control panel	gh
237	0A5319	Membrana cruscotto	Membrane, control panel	lm
238	002718	Cruscotto	Control panel	abcd
238	002732	Cruscotto	Control panel	efgh
238	0A5318	Cruscotto	Control panel	lm