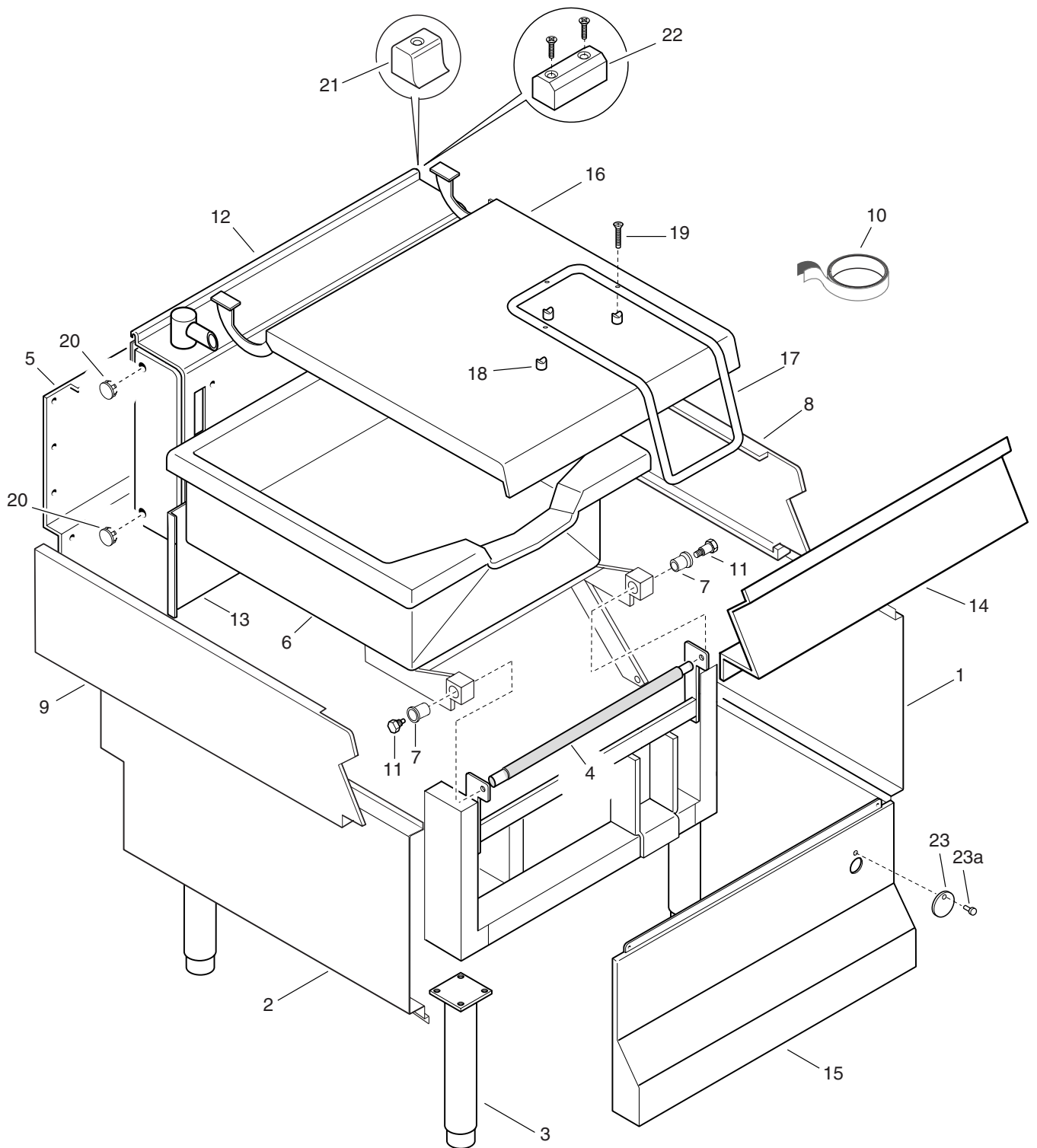


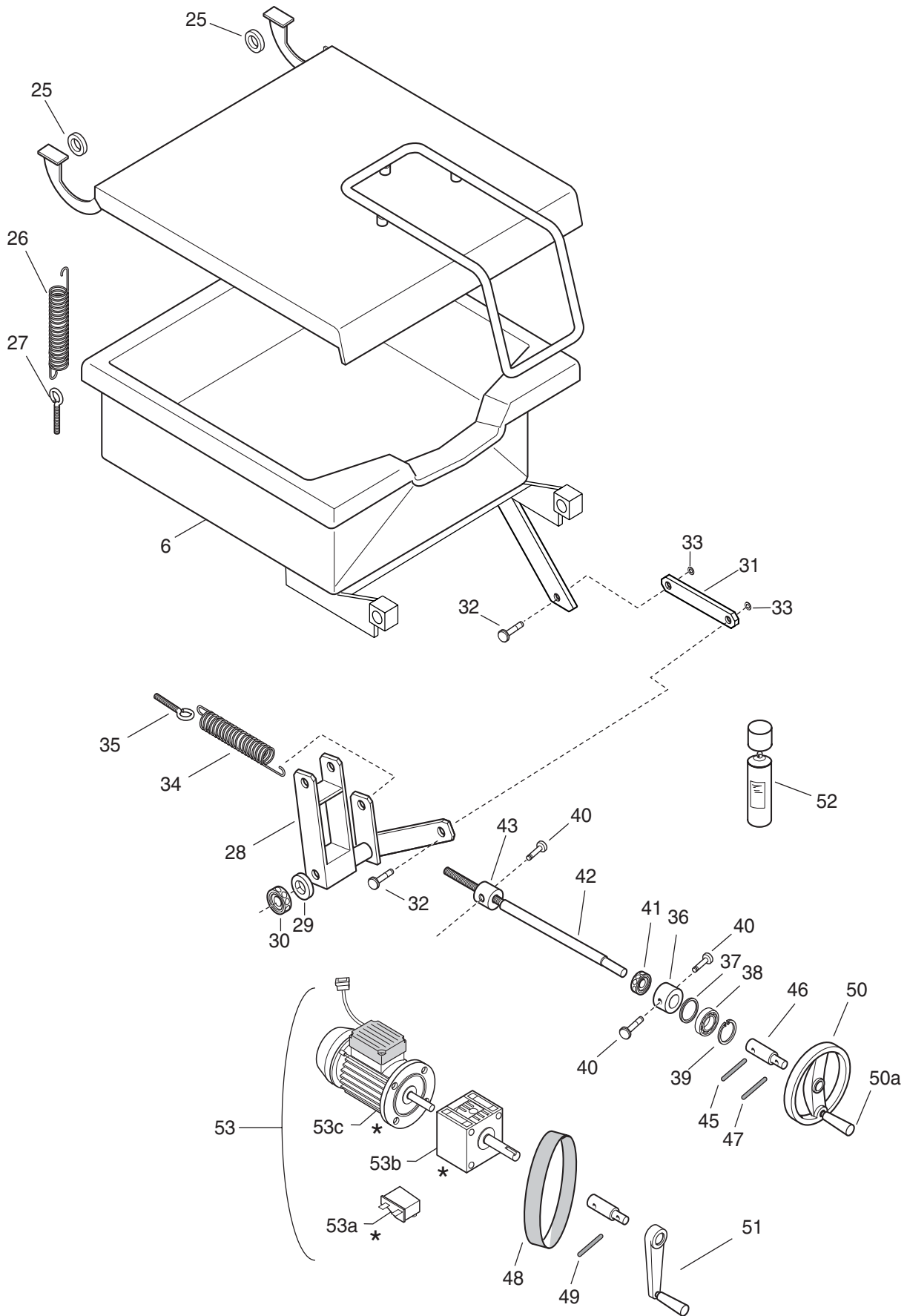
<b>PNC</b>	<b>Model</b>	<b>Ref.</b>	<b>Page</b>	<b>Notes</b>
200 307	KBR/E2F	a	1 - 2 - 3 - 4 - 5	Brat Pan electric 80L Mild Steel
200 308	KBR/E2C	b	1 - 2 - 3 - 4 - 5	Brat Pan electric 80L Compound
200 309	KBR/E3F	c	1 - 2 - 3 - 4 - 5	Brat Pan electric 100L Mild Steel
200 310	KBR/E3FH	d	1 - 2 - 3 - 4 - 5	Brat Pan electric 100L Mild Steel Autom.Tilting
200 311	KBR/E3C	e	1 - 2 - 3 - 4 - 5	Brat Pan electric 100L Compound
200 312	KBR/E3CH	g	1 - 2 - 3 - 4 - 5	Brat Pan electric 100L Compound Autom.Tilting
200 317	KBR/E2FH	h	1 - 2 - 3 - 4 - 5	Brat Pan electric 80L Mild Steel Autom.Tilting
200 318	KBR/E2CH	m	1 - 2 - 3 - 4 - 5	Brat Pan electric 80L Compound Autom.Tilting

	<b>Index</b>	<b>Indice</b>
Pag. 1	Frame	Struttura
Pag. 2	Tilting System	Sistema sollevamento
Pag. 3	Electric components	Componenti elettrici
Pag. 4 - 5 - 6	Spare parts list	Lista ricambi

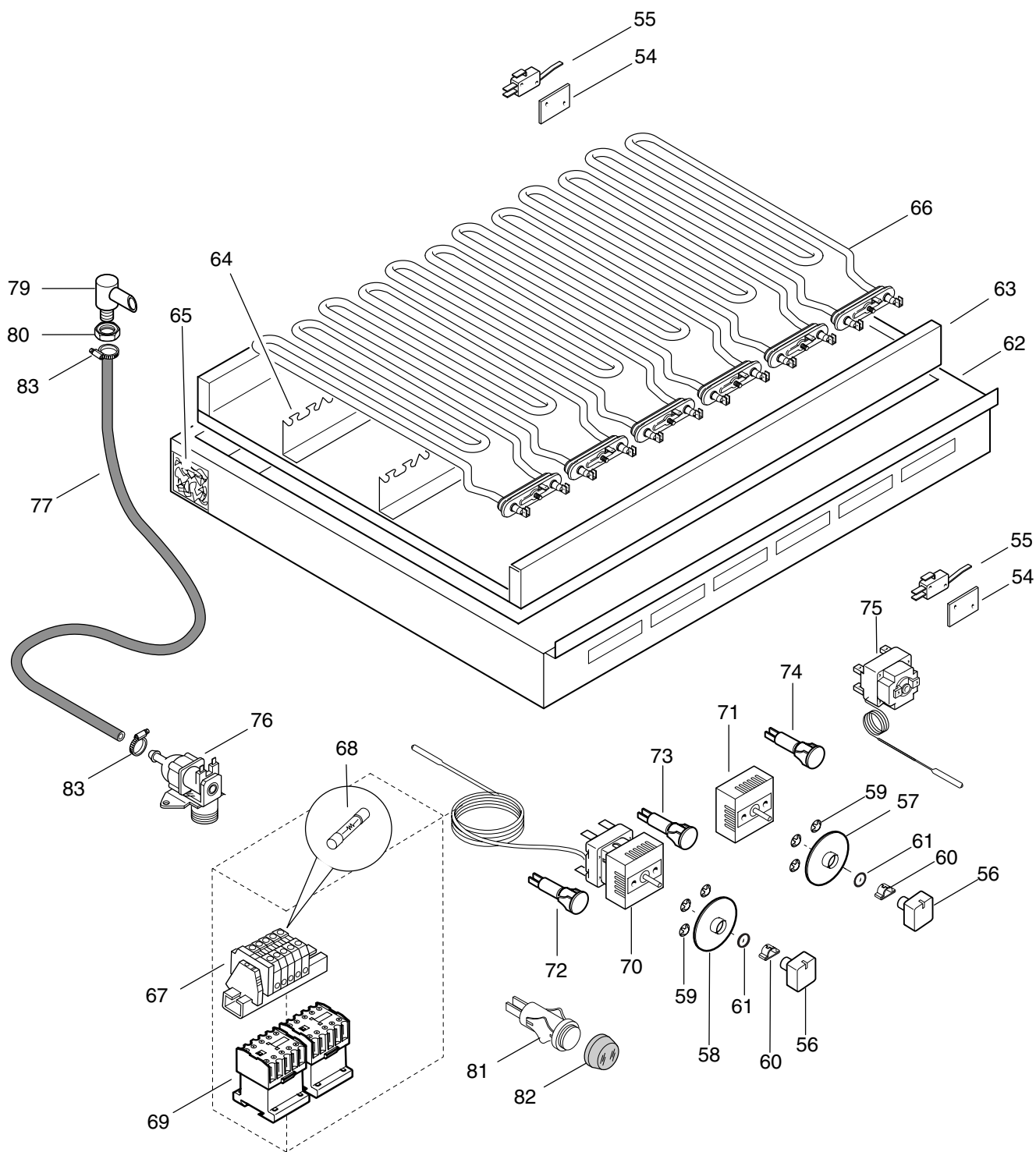
**Brand / Marchio :** Zanussi  
**Factory code:** 9PDX



**BRASIERE ELETTRICHE N900**  
**ELETTRIC BRAT PAN N900**



**BRASIERE ELETTRICHE N900**  
**ELETTIC BRAT PAN N900**



**BRASIERE ELETTRICHE N900**  
**ELETTRIC BRAT PAN N900**

**BRASIERE ELETTRICHE N900  
ELETTRIC BRAT PAN N900**

PNC	Model	Ref.	PNC	Model	Ref.
200 307	KBR/E2F	a	200 308	KBR/E2C	b
200 309	KBR/E3F	c	200 310	KBR/E3FH	d
200 311	KBR/E3C	e	200 312	KBR/E3CH	g
200 317	KBR/E2FH	h	200 318	KBR/E2CH	m

Pos	Factory Code	6 Dgt Code	Descrizione	Description	Ref. / Notes
			<b>Pagina 1</b>	<b>Page 1</b>	
1	0529873901	0C0642	FIANCO DESTRA BRASIERA	RIGHT SIDE PANEL, BRATT PAN	
2	0529874001	0C0643	FIANCO SINISTRO BRASIERA	LEFT SIDE PANEL BRATT PAN	
3	0835860000	0C0467	GAMBA BRASIERA	LEG, BRATT PAN	
4	0517876800	0C0644	TUBO SUPPORTO VASCA 80L	INGE TUBE, WELL 80lt	a b h m
	0517876900	0C0645	TUBO SUPPORTO VASCA 100L	INGE TUBE, WELL 100lt	c d e g
5	0529841902	0C0469	SCHIENALE 80lt	REAR PANEL 80lt	a b h m
	0529884200	0C0646	SCHIENALE 100lt	REAR PANEL 100lt	c d e g
6	0873836001	0C0647	VASCA 80lt FONDO FERRO	WELL, BRAT PAN 80lt MILD STEEL	a h
	0873836101	0C0648	VASCA 80lt FONDO COMPOUND	WELL, BRAT PAN 80lt COMPOUND	b m
	0873836205	0C0649	VASCA 100lt FONDO FERRO	WELL, BRAT PAN 100lt MILD STEEL	c d
	0873836305	0C0650	VASCA 100lt FONDO COMPOUND	WELL, BRAT PAN 100lt COMPOUND	TB2005-10 e g TB2005-10
7	0517878100	0C0651	BOCCOLA PER RECIPIENTE	BUSH, WELL	
8	0529882303	0C2286	FIANCO DESTRO VASCA	RIGHT SIDE PANEL, WELL	TB2004-15
9	0529882403	0C2287	FIANCO SINISTRO VASCA	LEFT SIDE PANEL, WELL	TB2004-15
10					
11	0217010204	*	VITE FISSAGGIO TUBO SUPPORTO	SCREW, FIX INGE TUBE	
12	0853869801	*	PANNELLO POSTERIORE CAMINO 80lt	REAR PANEL CHIMNEY 80lt	a b h m
	0853870001	*	PANNELLO POSTERIORE CAMINO 100lt	REAR PANEL CHIMNEY 100lt	c d e g
13	0529882701	0C2299	SCHIENALE VASCA 80lt	REAR PANEL, 80lt WELL	a b h m
	0529882801	0C2300	SCHIENALE VASCA 100lt	REAR PANEL, 100lt WELL	c d e g TB2004-15
14	0853869501	0C0658	CRUSCOTTO 80lt	CONTROL PANEL 80lt	a b
	0853873401	0C1636	CRUSCOTTO 80lt SOLLEV. AUTOM.	CONTROL PANEL 80lt AUTOM.TILTING	h m
	0853869600	0C0659	CRUSCOTTO 100lt	CONTROL PANEL 100lt	c e till s/n 548..
	0529883405	0C3336	CRUSCOTTO 100lt	CONTROL PANEL 100lt	c e since s/n 549..
	0853873501	0C1637	CRUSCOTTO 100lt SOLLEV. AUTOM.	CONTROL PANEL 100lt AUTOM.TILTING	d g till s/n 548..
	0530809304	0C3341	CRUSCOTTO 100lt SOLLEV. AUTOM.	CONTROL PANEL 100lt AUTOM.TILTING	d g since s/n 549..
15	0529887201	0C1638	PANNELLO ANTERIORE 80lt	FRONT PANEL 80lt	a b h m
	0529887301	0C1639	PANNELLO ANTERIORE 100lt	FRONT PANEL 100lt	c d e g
16	0873836402	0C0662	COPERCHIO 80lt	LID, 80lt	a b h m
	0873836502	0C0663	COPERCHIO 100lt	LID, 100lt	c d e g
17	0517880200	0C0665	MANIGLIA COPERCHIO	HANDLE, LID	
18	0517856900	004468	DISTANZIALE x MANIGLIA	SPACER, LID	
19	0217223605	0C0950	VITE x FISSAGGIO MANIGLIA	SCREW, HANDLE	
20	0509801300	0C0676	TAPPO CROMATO	CHROME TAP	
21	0541810600	0C0187	TAPPO POSTERIORE RIPIANO	STOPPER	
22	0516860700	0C0137	PIASTRINA x GIUNZIONE	JOINTING REAR PLATE	
23	0508837201	002534	SPORTELLINO, SOLLEV. AUTOM.	DOOR, AUTOM.TILTING	h m d g
23a	0214473001	026197	PERNETTO FISSAGGIO SPORTELLINO	PIN, DOOR AUTOM. TILTING	h m d g

**BRASIERE ELETTRICHE N900**  
**ELETTRIC BRAT PAN N900**

PNC	Model	Ref.	PNC	Model	Ref.
200 307	KBR/E2F	a	200 308	KBR/E2C	b
200 309	KBR/E3F	c	200 310	KBR/E3FH	d
200 311	KBR/E3C	e	200 312	KBR/E3CH	g
200 317	KBR/E2FH	h	200 318	KBR/E2CH	m

Pos	Factory Code	6 Dgt Code	Descrizione	Description	Ref. / Notes
			<b>Pagina 2</b>	<b>Page 2</b>	
25	0517878200	0C0664	BOCCOLA x COPERCHIO	BUSH, LID	
26	0516865201	<b>0C0666</b>	MOLLA COPERCHIO	SPRING, LID	
27	0A05144900	<b>0A2551</b>	TIRANTE MOLLA 80lt	SCREW, SPRING 80lt	a b h m
	0516875200	<b>0C1640</b>	TIRANTE MOLLA 100lt	SCREW, SPRING 100lt	c d e g TB2004-15
28	0830899500	0C0667	LEVA SOLLEVAMENTO	LEVEL, TILTING	
29	0516864900	*	SUPPORTO CUSCINETTO	SUPPORT, BEARING	
30	0835834700	<b>056820</b>	CUSCINETTO RADIALE	BEARING	
31	0512817701	0C0668	BIELLA	CONNECTING ROD	
32	0516868200	0C0669	PERNO X BIELLA	PIN, ROD	
33	0219001411	<b>0C0670</b>	ANELLO ELASTICO	ELASTIC RING	
34	0516865100	0C0671	MOLLA RECIPIENTE	SPRING, WELL	
35	0A05144900	<b>0A2551</b>	VITE AD OCCHIELLO PER MOLLA	EYED-SCREW, SPRING	
36	0516825500	<b>0C0672</b>	SUPPORTO VITE SOLLEVAMENTO	SUPPORT, SCREW TILTING	a b c e
	0516870800	CODIFIC.	SUPPORTO VITE SOLLEV. AUTOM.	SUPPORT, SCREW AUTOM. TILT.	h m d g
37	0543820900	<b>0C0673</b>	GUARNIZIONE	GASKET	
38	0835834700	<b>056820</b>	CUSCINETTO RADIALE	BEARING	
39	0A05166500	0A2592	SEEGER	RING	
40	0214126800	<b>051365</b>	PERNO	PIN	
41	0835834600	<b>056821</b>	CUSCINETTO ASSIALE	BEARING	
42	0516865400	0C0674	VITE SOLLEVAMENTO	SCREW, TILTING	a b c e
	0516870600	0C1641	VITE SOLLEVAMENTO AUTOM.	SCREW, AUTOMATIC TILTING	h m d g
43	0516865301	<b>0C0675</b>	MADREVITE SOLLEVAMENTO	NUT SCREW	
45	0A05214500	*	SPINA ELASTICA	ELASTIC PIN	
46	0514897701	<b>002355</b>	PROLUNGA VOLANTINO	EXTENSION, WHEEL	a b
47	219702241	006841	SPINA	PIN	
48	0547800100	<b>002148</b>	CINGHIA MOTORE	BELT, MOTOR	h m
49	0516871100	<b>0C1438</b>	PROLUNGA VOLANTINO AUTOM.	EXTENSION, WHEEL AUTOM. TILTING	h m
50	0835829000	<b>0A5164</b>	VOLANTINO	HAND-WHEEL	
50a	*	<b>0C3800</b>	MANIGLIA VOLANTINO	HANDLE FOR HAND WHEEL	
51	0835832200	002276	MANOVELLA SOLLEVAMENTO	CRANK	
52	0167098086	<b>003363</b>	LUBRIFICANTE x MOLLE	LUBRICANT, SPRING	
53	0830807501	<b>002793</b>	MOTORIDUTTORE	MOTOREDUCER	h m
53a	0694801400	002796	CONDENSATORE DI SPUNTO	START CAPACITOR	h m
53b	0680800800	002795	RIDUTTORE DI VELOCITA'	SPEED REDUCER	h m
53c	0611804300	002794	MOTORE	MOTOR	h m

**BRASIERE ELETTRICHE N900  
ELETTRIC BRAT PAN N900**

PNC	Model	Ref.	PNC	Model	Ref.
200 307	KBR/E2F	a	200 308	KBR/E2C	b
200 309	KBR/E3F	c	200 310	KBR/E3FH	d
200 311	KBR/E3C	e	200 312	KBR/E3CH	g
200 317	KBR/E2FH	h	200 318	KBR/E2CH	m

Pos	Factory Code	6 Dgt Code	Descrizione	Description	Ref./ Notes
			<b>Pagina 3</b>	<b>Page 3</b>	
54	0246214023	045404	PIASTRINA ISOLANTE MICRO	PLATE, INSUL. MICROSWITCH	
55	0640800800	053671	MICROINTERRUTTORE	MICROSWITCH	
56	0548856800	0C0257	MANOPOLA	KNOB	
57	0548859001	0C0318	GHIERA REGOLATORE	KNOB RING, ENERGY REGULATOR	
58	0548859300	0C0258	GHIERA TERMOSTATO	KNOB RING, THERMOSTAT	
59	0218912211	069567	ANELLO DI FISSAGGIO	RING, KNOB RING	
60	0214590701	025245	MOLLETTA X MANOPOLA	SPRING, KNOB	
61	0543821000	053816	GUARNIZIONE X MANOPOLA	GASKET, KNOB	
62	0524894800	0C0677	SCATOLA ESTERNA RESISTENZE 80lt	EXTERNAL BOX, HEATING ELEM 80lt	a b h m
	0524895000	0C0678	SCATOLA ESTERNA RESISTENZE, 100lt	EXTERNAL BOX, HEATING ELEM 100lt	c d e g
63	0524894900	0C0679	SCATOLA INTERNA RESISTENZE 80lt	INTERNAL BOX, HEATING ELEM 80lt	a b h m
	0524895100	0C0680	SCATOLA INTERNA RESISTENZE 100lt	INTERNAL BOX, HEATING ELEM 100lt	c d e g
64	0524895200	0C0681	SUPPORTO RESISTENZE 80lt	SUPPORT, HEATING ELEM. 80lt	a b h m
	0524895300	0C0682	SUPPORTO RESISTENZE 100lt	SUPPORT, HEATING ELEM. 100lt	c d e g
65	0560844400	0C0683	ISOLAMENTO 80lt	INSULATION 80lt	a b h m
	0560844500	0C0684	ISOLAMENTO 100lt	INSULATION 100lt	c d e g
66	0617827900	0C0685	RESISTENZA, 2500W 400V	HEATING ELEMENT	a b h m untill s/n 404
	*	*	RESISTENZA	HEATING ELEMENT	from s/n405
	0617827901	0C0686	RESISTENZA 2500W 230V	HEATING ELEMEMENT	see PDX2004-06
67	0639805301	058608	MORSETTIERA con PORTAFUSIBILE	TERMINAL BOARD with FUSE HOLDER	c d e g untill s/n 404
68	0452140500	057783	FUSIBILE 4A 250V	FUSE 4A 250V	
69	0648807400	006879	CONTATTORE	CONTACTOR	
70	0646805801	002109	INTERRUTTORE CON TERMOSTATO	SWITCH WITH THERMOSTAT	
71	0699802200	0C1605	REGOLATORE DI ENERGIA	ENERGY REGULATOR	
72	0876800002	005010	LAMPADA SPIA VERDE	PILOT LAMP; GREEN	
73	0876800102	005011	LAMPADA SPIA GIALLA	PILOT LAMP; YELLOW	
74	0876800201	0C0687	LAMPADA SPIA ROSSA	PILOT LAMP; RED	
75	0646812701	0C0270	TERMOSTATO SICUREZZA	SAFETY THERMOSTAT	
76	0696804600	0C0688	ELETTROVALVOLA	MAGNETIC VALVE	
77	0140068006	055445	TUBO GOMMA TELATO	HOSE	
79	0831802301	0C0689	GETTO EROGATORE BRASIERA	TAP, WATER	
80	0516875100	*	CONTRODADO OTTONE DA 3/8"	NUT, 3/8"	
81	0640802500	058274	PULSANTE	BUTTON	
82	0548801500	053979	PROTEZIONE x PULSANTE	PROTECTION, BUTTON	
83	0835823600	*	FASCETTA	HOSECLAMP	