

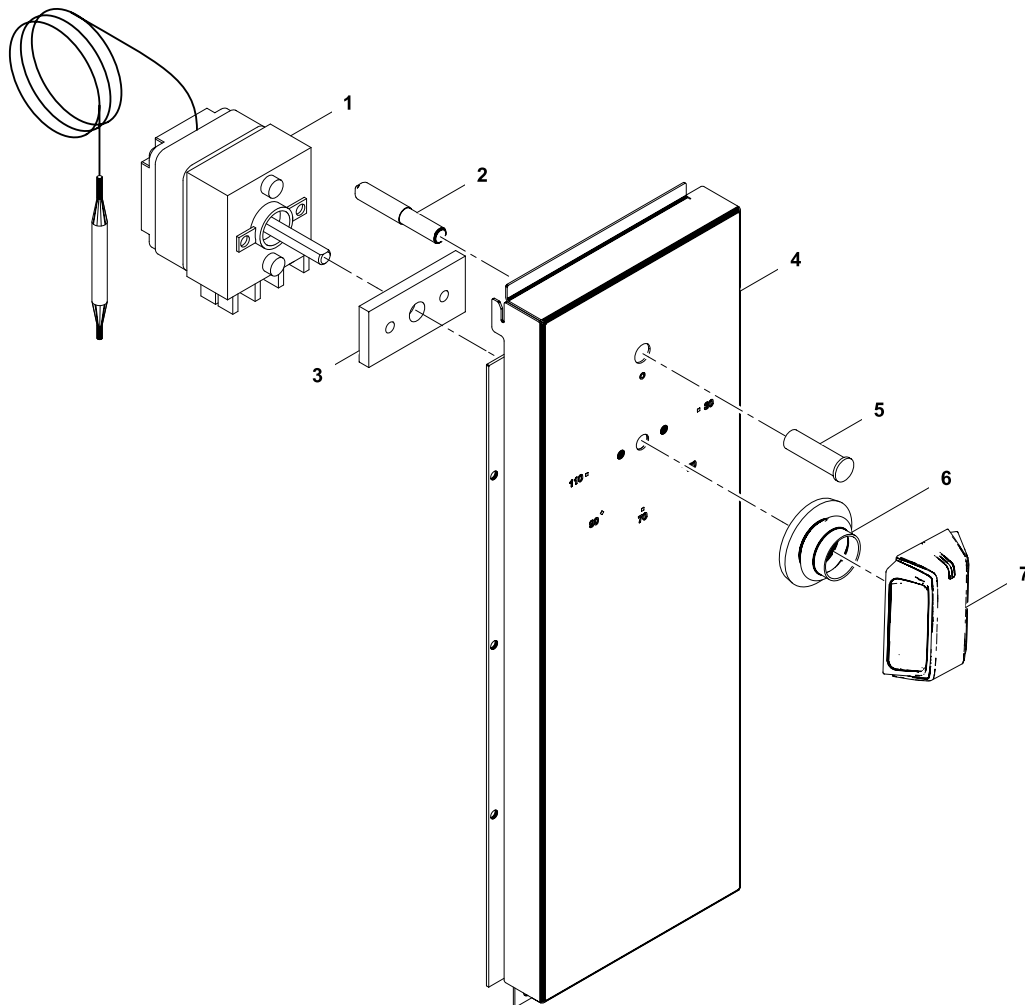
DE WÄRMESCHRANK
EN WARMING CABINET

PNC	Factory Model	Ref.	Description
588305	MA4GCAEOAO	a	WARMING CABINET, H2, 500X800X450H
588306	MA4GCAFOAO	b	WARMING CABINET, H2, 600X800X450H
588307	MA4HCAHOAO	c	WARMING CABINET, H2, 800X800X450H
588308	MA4HCAJOAO	d	WARMING CABINET, H2, 1000X800X450H
588309	MA4JCCEAOAO	e	WARMING CABINET, PASSTHROUGH, H2, 500X800X450H
588310	MA4JCCFOAO	f	WARMING CABINET, PASSTHROUGH, H2, 600X800X450H
588311	MA4KCCHOAO	g	WARMING CABINET, PASSTHROUGH, H2, 800X800X450H
588312	MA4KCCJOAO	h	WARMING CABINET, PASSTHROUGH, H2, 1000X800X450H
588313	MA4GDAEOAO	a	WARMING CABINET, H2, 500X800X550H
588314	MA4GDAFOAO	b	WARMING CABINET, H2, 600X800X550H
588315	MA4HDAHOAO	c	WARMING CABINET, H2, 800X800X550H
588316	MA4HDAJOAO	d	WARMING CABINET, H2, 1000X800X550H
588317	MA4JDCEAOAO	e	WARMING CABINET, PASSTHROUGH, H2, 500X800X550H
588318	MA4JDCFOAO	f	WARMING CABINET, PASSTHROUGH, H2, 600X800X550H
588319	MA4KDCHOAO	g	WARMING CABINET, PASSTHROUGH, H2, 800X800X550H
588320	MA4KDCJOAO	h	WARMING CABINET, PASSTHROUGH, H2, 1000X800X550H
588651	MB4GCAEOAO	k	WARMING CABINET, H2, 500X850X450H
588652	MB4GCAFOAO	l	WARMING CABINET, H2, 600X850X450H
588653	MB4HCAHOAO	m	WARMING CABINET, H2, 800X850X450H
588654	MB4HCAJOAO	n	WARMING CABINET, H2, 1000X850X450H
588655	MB4CCAEOAO	o	WARMING CABINET, NHC, 500X850X450H
588656	MB4CCAFOAO	p	WARMING CABINET, NHC, 600X850X450H
588657	MB4DCAHOAO	q	WARMING CABINET, NHC, 800X850X450H
588658	MB4DCAJOAO	r	WARMING CABINET, NHC, 1000X850X450H
589479	MC4GCAEOAO	s	WARMING CABINET, H2, 500X900X450H
589480	MC4GCAFOAO	t	WARMING CABINET, H2, 600X900X450H
589481	MC4HCAHOAO	u	WARMING CABINET, H2, 800X900X450H
589482	MC4HCAJOAO	v	WARMING CABINET, H2, 1000X900X450H
589483	MC4JCCEAOAO	w	WARMING CABINET, PASSTHROUGH, H2, 500X900X450H
589484	MC4JCCFOAO	x	WARMING CABINET, PASSTHROUGH, H2, 600X900X450H
589485	MC4KCCHOAO	y	WARMING CABINET, PASSTHROUGH, H2, 800X900X450H
589486	MC4KCCJOAO	z	WARMING CABINET, PASSTHROUGH, H2, 1000X900X450H
589487	MC4GDAEOAO	s	WARMING CABINET, H2, 500X900X550H
589488	MC4GDAFOAO	t	WARMING CABINET, H2, 600X900X550H
589489	MC4HDAHOAO	u	WARMING CABINET, H2, 800X900X550H
589490	MC4HDAJOAO	v	WARMING CABINET, H2, 1000X900X550H
589491	MC4JDCEAOAO	w	WARMING CABINET, PASSTHROUGH, H2, 500X900X550H
589492	MC4JDCFOAO	x	WARMING CABINET, PASSTHROUGH, H2, 600X900X550H
589493	MC4KDCHOAO	y	WARMING CABINET, PASSTHROUGH, H2, 800X900X550H
589494	MC4KDCJOAO	z	WARMING CABINET, PASSTHROUGH, H2, 1000X900X550H

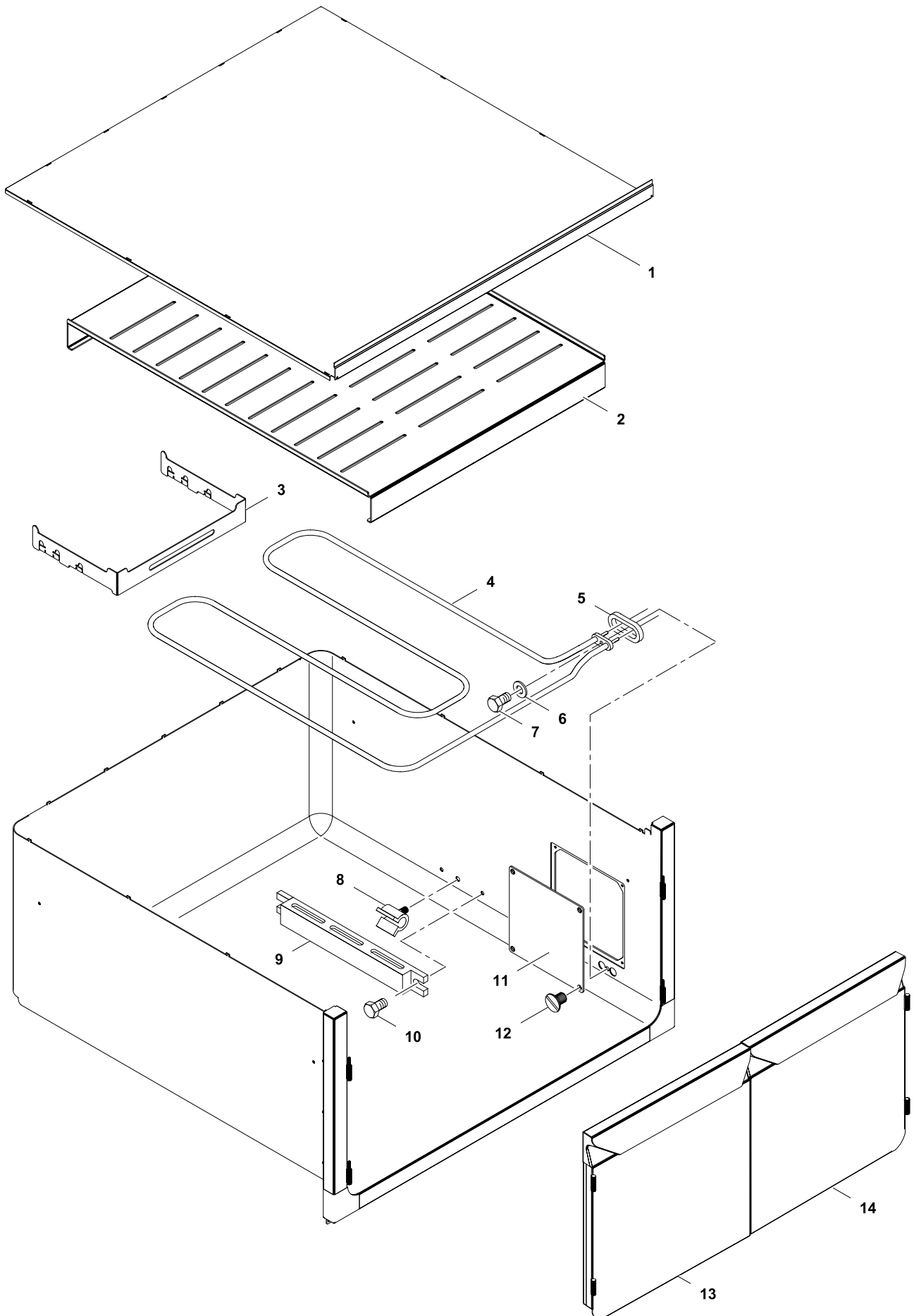
Page	Index
2	Control panel
3	Terminal
4	Warming cabinet
6	Base

Last Updates
Ed. 01/2015

Page
all



1	Alias	Code	Bezeichnung	Description	Ref.	Valid from Serial N°
1	712 344039	OK5023	Kapillarrohrregler 30-100	Capillary control 30-100	all types	
2	72.5938.03	OKI361	Anzeigelampe klar	Indicator light, clear	all types	
3	82.1043.01	*	Bedienblende warming cabinet, rechts, 130	Control panel warming cabinet, right, 130	W=1000	
	82.1043.04	*	Bedienblende warming cabinet, rechts, 100	Control panel warming cabinet, right, 100	W=500/600	
	82.1043.02	*	Bedienblende warming cabinet, rechts, 160	Control panel warming cabinet, right, 160	W800	
4	72.5938.07	OKI363	Einsteckfassung klar Ø10mm	Lamp holder, clear, Ø10mm	all types	
5	82.7009	OG6247	Dichtung Drehgriff	Sealing for handle	all types	
6	82.9124.01	OG6369	Drehgriff mit Adapter 0°x6.0	Handle with adapter 0°x6.0	all types	
	62.1544.01	???	Kabelbaum: Wärmeschrank komplett	Wiring harness: warming cabinet	all types	
	62.1503.02	???	Verdrahtung 2X0.5X 300	Wiring 2x0.5x300	all types	



3	Alias	Code	Bezeichnung	Description	Ref.	Valid from Serial N°
1	82.0226.01	*	Korpusdeckel 1S 400	Corpus cover 1S 400	W500/600/ 1S	
	82.0226.03	*	Korpusdeckel 1S 640	Corpus cover 1S 640	W800/ 1S	
	82.0226.04	*	Korpusdeckel 1S 740	Corpus cover 1S 740	W1000/ 1S	
	82.0084.01	*	Korpusdeckel 2S 400X800	Corpus cover 2S 400X800	W500/600/ 2S/ D800	
	82.0084.03	*	Korpusdeckel 2S 400X900	Corpus cover 2S 400X900	W500/600/ 2S/ D900	
	82.0084.04	*	Korpusdeckel 2S 640X800	Corpus cover 2S 640X800	W800/1000/ 2S/ D800	
	82.0084.06	*	Korpusdeckel 2S 640X900	Corpus cover 2S 640X900	W800/1000/ 2S/ D900	
2	72.6253	???	Einlegeboden 158 1S/2S 159/1S	False bottom 158 1S/2S 159/1S	W500/600/ 1S	
	62.8507	???	Einlegeboden 400 2S	False bottom 400 2S	W500/600/ 2S	
	82.2326.03	???	Einlegeboden 640 1S	False bottom 640 1S	W800/ 1S	
	82.0195.04	???	Einlegeboden 640 2S 900	False bottom 640 2S 900	W800/ 2S	
	82.0195.02	???	Einlegeboden 740 2S 900	False bottom 740 2S 900	W1000/ 2S	
	82.2813.01	???	Einlegeboden 740 1S	False bottom 740 1S	W1000/ 1S	
3	62.4208	???	Halter Heizung	Heating element support	W800/1000	
	72.6257	???	Halter Heizung (klein)	Heating element support (small)	W500/600	
4	62.4082	OG2911	Heizung 2000W /400V	Heating element 2000W /400V	W800/1000	
	62.3937.03	OG2909	Heizung 1000W /400V	Heating element 1000W /400V	W500/600	
5	72.1120	OK4989	Dichtung 44x20x3	Sealing 44x20x3	all types	
6	1 701 7002	OG2923	Fächerscheibe M5	Fan washer M5	all types	
7	1 701 2579	OG4020	Sechslantschraube M5x16	Hex bolt M5x12	all types	
8	1 201 2020	???	Fühlerbefestigung	Sensor fixation	all types	
9	72.6251	???	Fühlerschutz	Sensor protection	all types	
10	1 701 2579	OG4020	Sechslantschraube M5x16	Hex bolt M5x12	all types	
11	82.0223.01	OG6757	Deckel Servicefenster	Lid service cover	all types	
12	1 701 1145	OG6758	Senkkopfschraube M4x6	Countersunk screw M4x6	all types	
13	82.1071.01	???	Tür, einzeln, NHC, 340, links	Door, single, NHC, 340, left	W500/600 D850	
	82.1068.01	???	Tür, doppelt, NHC, 580, rechts	Door, couple, NHC, 580, right	W800 NHC	
14	82.1068.02	???	Tür, doppelt, NHC, 580, links	Door, couple, NHC, 580, left	W800 NHC	
	82.1068.03	???	Tür, doppelt, NHC, 680, rechts	Door, couple, NHC, 680, right	W1000 NHC	
	82.1068.04	???	Tür, doppelt, NHC, 680, links	Door, couple, NHC, 680, left	W1000 NHC	
	82.0250.01	???	Tür, einzeln, 340, links	Door, single, 340, left	W500/600 1S/2S H2	
	82.0250.02	OG6800	Tür, einzeln, 340, rechts	Door, single, 340, right	W500/600 2S H2	
	82.0255.01	???	Tür, doppelt, 290, links	Door, couple, 290, left	W800 1S/2S H2	
	82.0255.02	???	Tür, doppelt, 290, rechts	Door, couple, 290, right	W800 2S H2	
	82.0255.03	???	Tür, doppelt, 340, links	Door, couple, 340, left	W1000 1S/2S H2	
	82.0255.04	???	Tür, doppelt, 340, rechts	Door, couple, 340, right	W100 2S H2	

