

**DE** GASHERDE 7KW (6,5KW) & 10KW (8,5KW)  
**EN** OPEN BURNER 7KW (6,5KW) & 10KW (8,5KW)

**TL80/85 Models 7kW Towngas 6,5kW**

PNC	Factory Model	Ref.	Description
588036	MAGCAADOPO	a	GAS TOP, 2 BURNER, 1-SIDE, 400X800X250H
588037	MAGCABDOPO	a	GAS TOP, 2 BURNER, 1-SIDE, C-BOARD, 400X800X250H
588038	MAGCACDOPO	b	GAS TOP, 2 BURNER, 2-SIDES, 400X800X250H
588039	MAGGAAHOPO	c	GAS TOP, 4 BURNER, 1-SIDE, 800X800X250H
588040	MAGGABHOPO	c	GAS TOP, 4 BURNER, 1-SIDE, C-BOARD, 800X800X250H
588041	MAGGACHOPO	d	GAS TOP, 4 BURNER, 2-SIDES, 800X800X250H
588042	MAGKAAKOPO	e	GAS TOP, 6 BURNER, 1-SIDE, 1200X800X250H
588043	MAGKABKOPO	e	GAS TOP, 6 BURNER, 1-SIDE, C-BOARD, 1200X800X250H
588044	MAGKACKOPO	f	GAS TOP, 6 BURNER, 2-SIDES, 1200X800X250H
588047	MAGCAADOPI	g	GAS TOP, 2 BURNER, ECO FLAME, 1-SIDE, 400X800X250H
588048	MAGCABDOPI	g	GAS TOP, 2 BURNER, ECO FLAME, 1-SIDE, C-BOARD, 400X800X250H
588049	MAGCACDOPI	h	GAS TOP, 2 BURNER, ECO FLAME, 2-SIDES, 400X800X250H
588050	MAGGAAHOPI	i	GAS TOP, 4 BURNER, ECO FLAME, 1-SIDE, 800X800X250H
588051	MAGGABHOPI	i	GAS TOP, 4 BURNER, ECO FLAME, 1-SIDE, C-BOARD, 800X800X250H
588052	MAGGACHOPI	k	GAS TOP, 4 BURNER, ECO FLAME, 2-SIDES, 800X800X250H
588053	MAGKAAKOPI	m	GAS TOP, 6 BURNER, ECO FLAME, 1-SIDE, 1200X800X250H
588054	MAGKABKOPI	m	GAS TOP, 6 BURNER, ECO FLAME, 1-SIDE, C-BOARD, 1200X800X250H
588055	MAGKACKOPI	n	GAS TOP, 6 BURNER, ECO FLAME, 2-SIDES, 1200X800X250H
588523	MBGCBBDOPO	o	GAS TOP, 2 BURNER, 1-SIDE, C-BOARD, 400X850X250H
588524	MBGGBBHOPO	p	GAS TOP, 4 BURNER, 1-SIDE, C-BOARD, 800X850X250H
588525	MBGKBBKOPO	q	GAS TOP, 6 BURNER, 1-SIDE, C-BOARD, 1200X850X250H
588527	MBGCBBDOPI	r	GAS TOP, 2 BURNER, ECO FLAME, 1-SIDE, C-BOARD, 400X850X250H
588528	MBGGBBHOPI	s	GAS TOP, 4 BURNER, ECO FLAME, 1-SIDE, C-BOARD, 800X850X250H
588529	MBGKBBKOPI	t	GAS TOP, 6 BURNER, ECO FLAME, 1-SIDE, C-BOARD, 1200X850X250H
593103	MBGCBBDOVO	o	GAS TOP, 2 BURNER, TOWNGAS, 1-SIDE, C-BOARD, 400X850X250H
593104	MBGGBBHOVO	p	GAS TOP, 4 BURNER, TOWNGAS, 1-SIDE, C-BOARD, 800X850X250H
593105	MBGCBBDOVI	r	GAS TOP, 2 BURNER, TOWNGAS, ECO FLAME, 1-SIDE, C-BOARD, 400X850X250H
593106	MBGGBBHOVI	s	GAS TOP, 4 BURNER, TOWNGAS, ECO FLAME, 1-SIDE, C-BOARD, 800X850X250H

## TL90 Models 10kW / Towngas 8,5kW

PNC	Factory Model	Ref.	Description
589068	MCGDAAEOPO	t	GAS TOP, 2 BURNER, 1-SIDE, 500X900X250H
589069	MCGDABEOPO	t	GAS TOP, 2 BURNER, 1-SIDE, C-BOARD, 500X900X250H
589070	MCGDACEOPO	u	GAS TOP, 2 BURNER, 2-SIDES, 500X900X250H
589071	MCGHAAJOPO	v	GAS TOP, 4 BURNER, 1-SIDE, 1000X900X250H
589072	MCGHABJOPO	v	GAS TOP, 4 BURNER, 1-SIDE, C-BOARD, 1000X900X250H
589073	MCGHACJOPO	w	GAS TOP, 4 BURNER, 2-SIDES, 1000X900X250H
589074	MCGLAALOPO	x	GAS TOP, 6 BURNER, 1-SIDE, 1500X900X250H
589075	MCGLABLOPO	x	GAS TOP, 6 BURNER, 1-SIDE, C-BOARD, 1500X900X250H
589076	MCGLACLOPO	y	GAS TOP, 6 BURNER, 2-SIDES, 1500X900X250H
589079	MCGDAAEOPI	z	GAS TOP, 2 BURNER, ECO FLAME, 1-SIDE, 500X900X250H
589080	MCGDABEOPI	z	GAS TOP, 2 BURNER, ECO FLAME, 1-SIDE, C-BOARD, 500X900X250H
589081	MCGDACEOPI	1	GAS TOP, 2 BURNER, ECO FLAME, 2-SIDES, 500X900X250H
589082	MCGHAAJOPI	2	GAS TOP, 4 BURNER, ECO FLAME, 1-SIDE, 1000X900X250H
589083	MCGHABJOPI	2	GAS TOP, 4 BURNER, ECO FLAME, 1-SIDE, C-BOARD, 1000X900X250H
589084	MCGHACJOPI	3	GAS TOP, 4 BURNER, ECO FLAME, 2-SIDES, 1000X900X250H
589085	MCGLAALOPI	4	GAS TOP, 6 BURNER, ECO FLAME, 1-SIDE, 1500X900X250H
589086	MCGLABLOPI	4	GAS TOP, 6 BURNER, ECO FLAME, 1-SIDE, C-BOARD, 1500X900X250H
589087	MCGLACLOPI	5	GAS TOP, 6 BURNER, ECO FLAME, 2-SIDES, 1500X900X250H
593306	MCGDAAEOVO	t	GAS TOP, 2 BURNER, TOWNGAS, 1-SIDE, 500X900X250H
593307	MCGDABEOVO	t	GAS TOP, 2 BURNER, TOWNGAS, 1-SIDE, C-BOARD, 500X900X250H
593308	MCGDACEOVO	u	GAS TOP, 2 BURNER, TOWNGAS, 2-SIDES, 500X900X250H
593309	MCGHAAJOVO	v	GAS TOP, 4 BURNER, TOWNGAS, 1-SIDE, 1000X900X250H
593310	MCGHABJOVO	v	GAS TOP, 4 BURNER, TOWNGAS, 1-SIDE, C-BOARD, 1000X900X250H
593311	MCGHACJOVO	w	GAS TOP, 4 BURNER, TOWNGAS, 2-SIDES, 1000X900X250H
593312	MCGDAAEOVI	z	GAS TOP, 2 BURNER, TOWNGAS, ECO FLAME, 1-SIDE, 500X900X250
593313	MCGDABEOVI	z	GAS TOP, 2 BURNER, TOWNGAS, ECO FLAME, 1-SIDE, C-BOARD, 500X900X250
593314	MCGDACEOVI	1	GAS TOP, 2 BURNER, TOWNGAS, ECO FLAME, 2-SIDES, 500X900X250
593315	MCGHAAJOVI	2	GAS TOP, 4 BURNER, TOWNGAS, ECO FLAME, 1-SIDE, 1000X900X250
593316	MCGHABJOVI	2	GAS TOP, 4 BURNER, TOWNGAS, ECO FLAME, 1-SIDE, C-BOARD, 1000X900X250
593317	MCGHACJOVI	3	GAS TOP, 4 BURNER, TOWNGAS, ECO FLAME, 2-SIDES, 1000X900X250

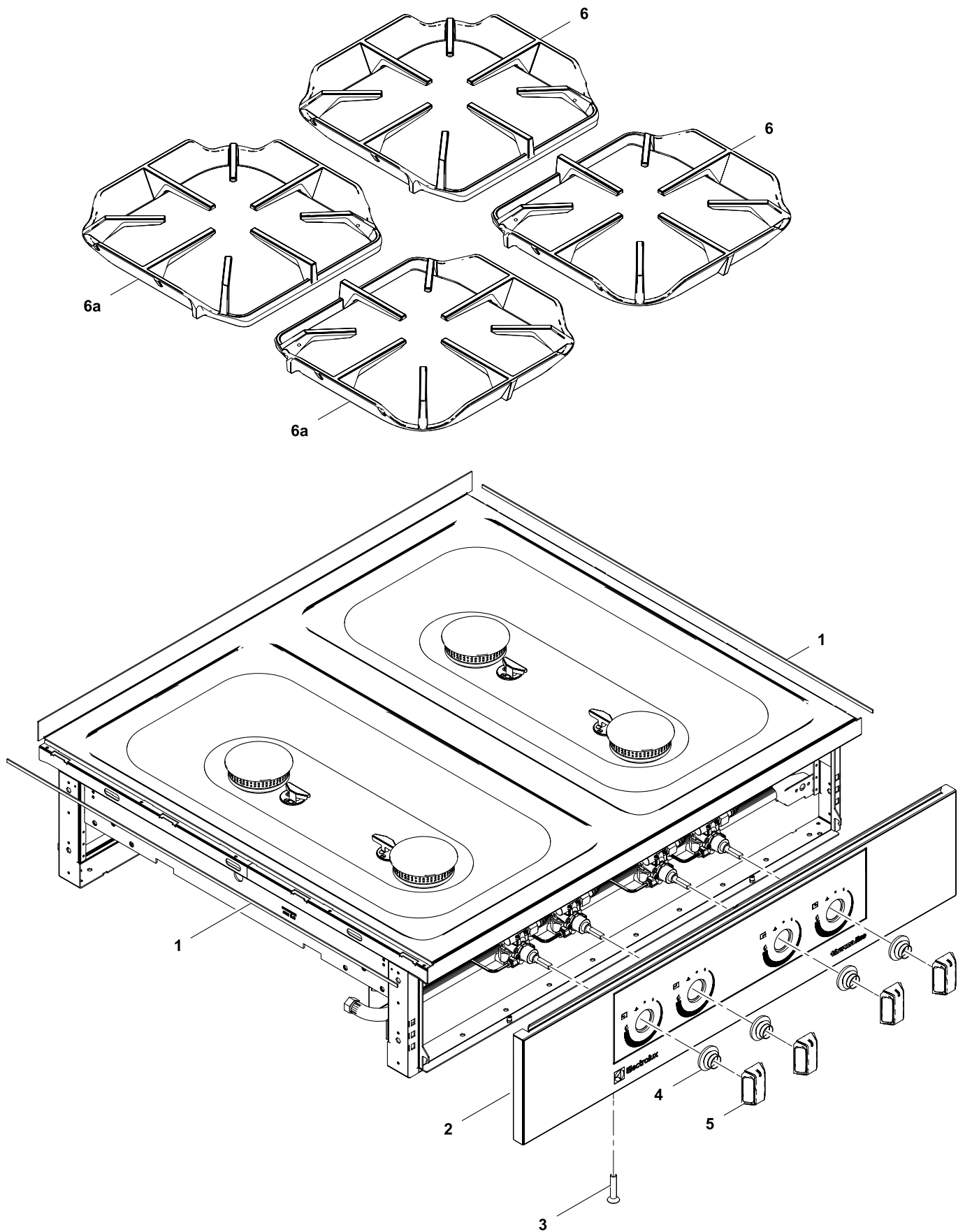
Page	Index
4	Control panel & pan support
6	Mechanical module
8	Gas line
10	Eco flame
12	Grease drawer

Last Updates  
01/2015

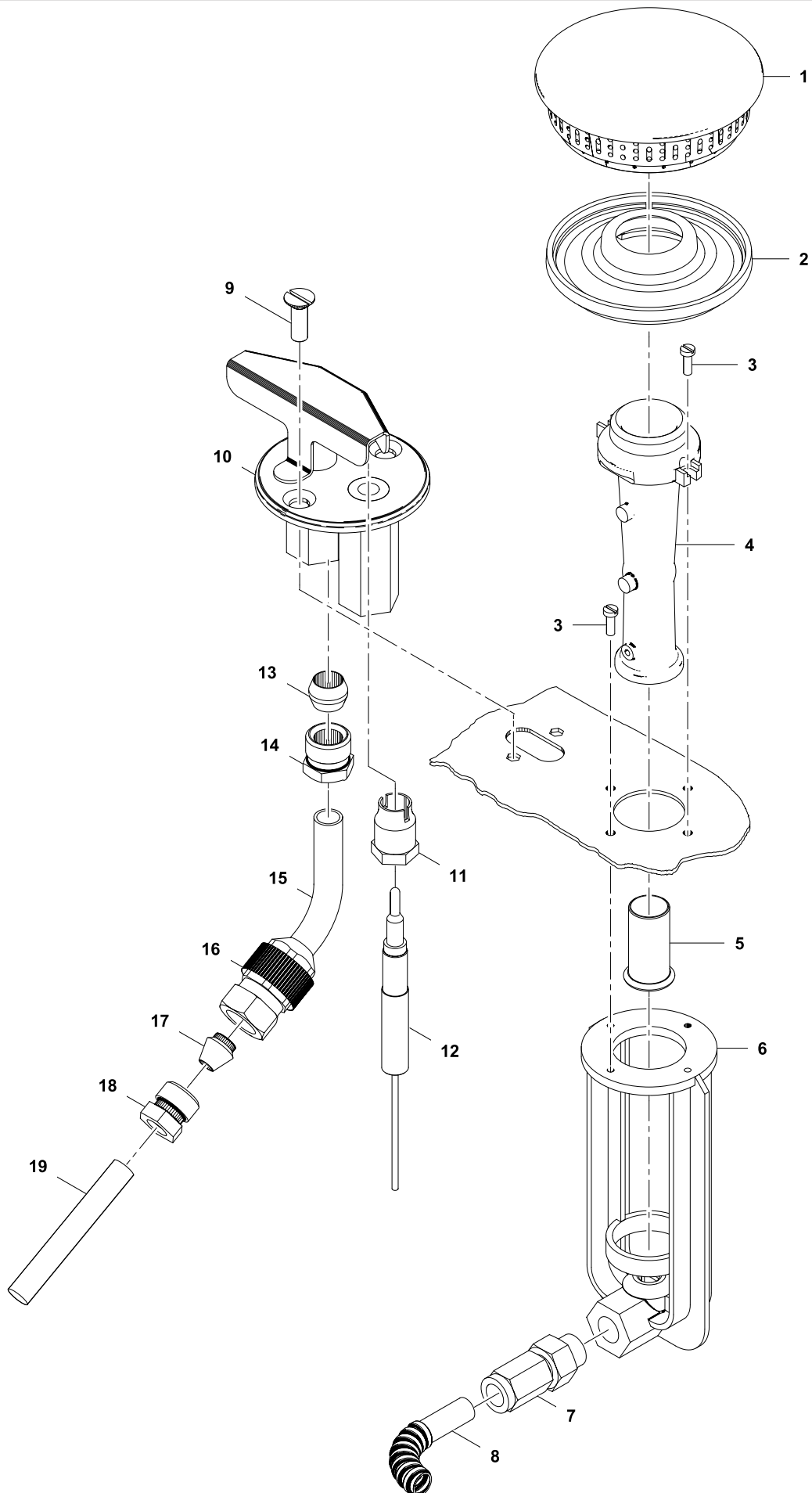
Page  
all

Valid from Ser. № 3101....

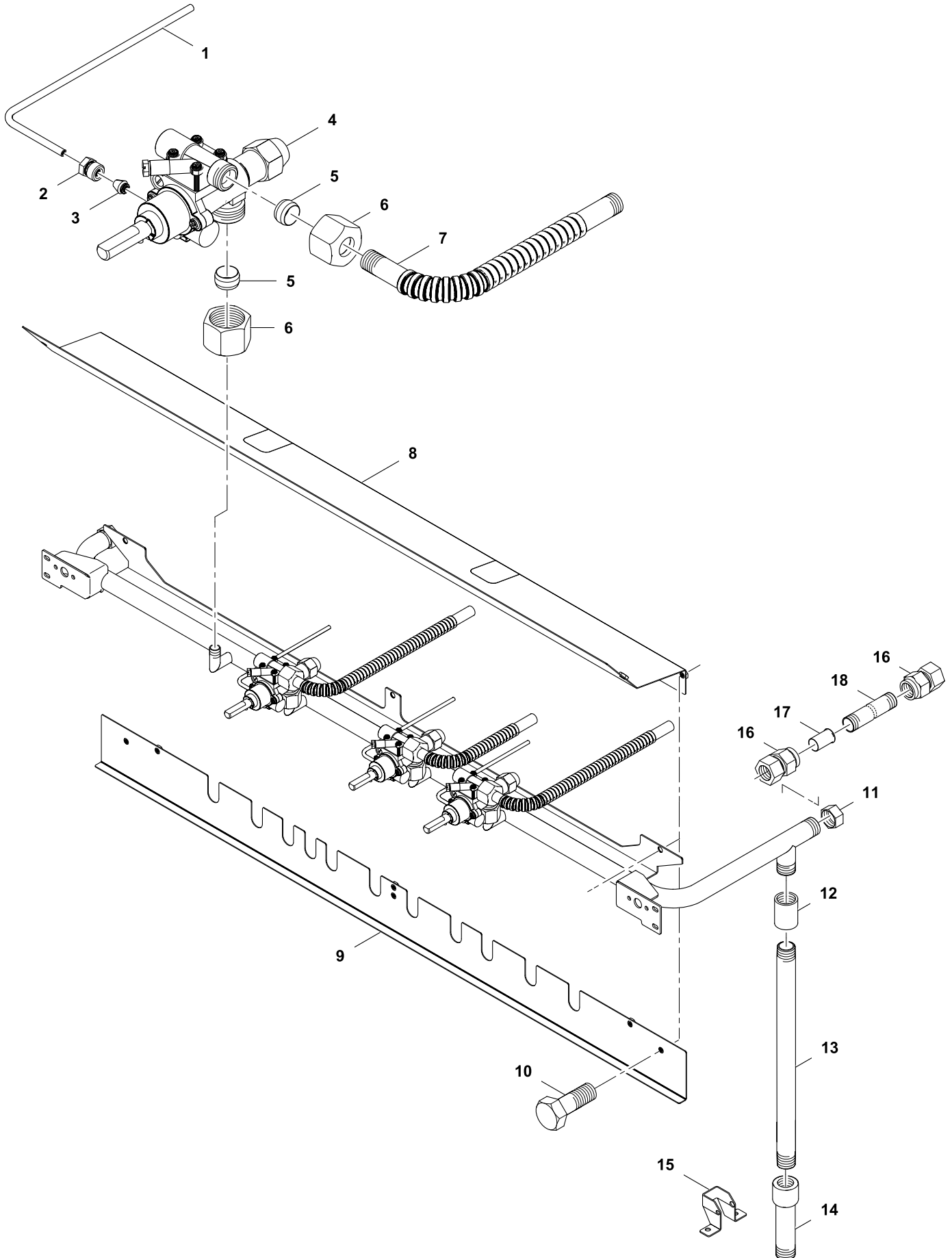




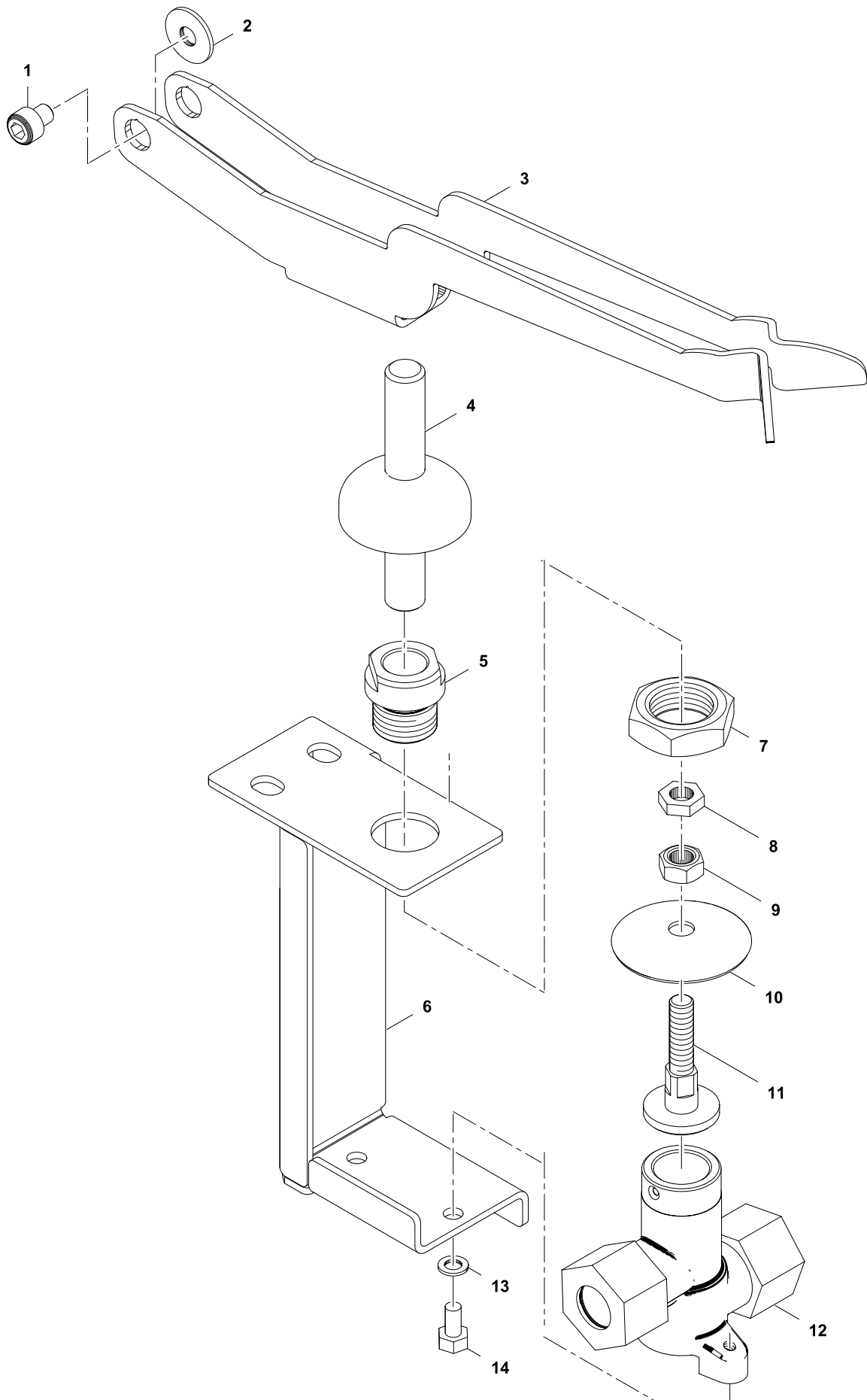
1	Alias	Code	Bezeichnung	Description	Ref.	Valid from Serial N°
1	82.7464	OC2496	Dichtband (Schaumstoff-Silikon, klebend)	Sealing strip	all Types	
2	82.1049.32	*	Blende 400 2Z INOX mit Schublade	Control panel 400 2Z INOX with drawer	r	
	82.1049.33	*	Blende 400 2Z INOX	Control panel 400 2Z INOX	o	
	82.1049.38	*	Blende 800 4Z INOX mit Schublade	Control panel 800 4Z INOX with drawer	s	
	82.1049.59	*	Blende 800 4Z INOX	Control panel 800 4Z INOX	p	
	82.1049.54	*	Blende 1200 6Z INOX mit Schublade	Control panel 1200 6Z INOX with drawer	t	
	82.1049.52	*	Blende 1200 6Z INOX	Control panel 1200 6Z INOX	q	
	82.1027.31	*	Blende 400 2Z	Control panel 400 2Z	a	
	82.1027.93	*	Blende 400 2Z mit Schublade	Control panel 400 2Z with drawer	g	
	82.1027.36	*	Blende 400 1Z	Control panel 400 1Z	b	
	82.1027.34	*	Blende 400 1Z mit Schublade	Control panel 400 1Z with drawer	h	
	82.1027.89	*	Blende 500 2Z	Control panel 500 2Z	t	
	82.1027.95	*	Blende 500 2Z mit Schublade	Control panel 500 2Z with drawer	z	
	82.1027.92	*	Blende 500 1Z	Control panel 500 1Z	u	
	82.1027.98	*	Blende 500 1Z mit Schublade	Control panel 500 1Z with drawer	l	
	82.1027.32	*	Blende 800 4Z	Control panel 800 4Z	c	
	82.1027.96	*	Blende 800 4Z mit Schublade	Control panel 800 4Z with drawer	i	
	82.1027.37	*	Blende 800 2Z	Control panel 800 2Z	d	
	82.1027.35	*	Blende 800 2Z mit Schublade	Control panel 800 2Z with drawer	k	
	82.1027.90	*	Blende 1000 4Z	Control panel 1000 4Z	v	
	82.1027.40	*	Blende 1000 4Z mit Schublade	Control panel 1000 4Z with drawer	2	
	82.1027.33	*	Blende 1000 2Z	Control panel 1000 2Z	w	
	82.1027.99	*	Blende 1000 2Z mit Schublade	Control panel 1000 2Z with drawer	3	
	82.1027.42	*	Blende 1200 6Z	Control panel 1200 6Z	e	
	82.1027.41	*	Blende 1200 6Z mit Schublade	Control panel 1200 6Z with drawer	m	
	82.1027.39	*	Blende 1200 3Z	Control panel 1200 3Z	f	
	82.1027.38	*	Blende 1200 3Z mit Schublade	Control panel 1200 3Z with drawer	n	
	82.1027.91	*	Blende 1500 6Z	Control panel 1500 6Z	x	
	82.1027.97	*	Blende 1500 6Z mit Schublade	Control panel 1500 6Z with drawer	4	
	82.1027.94	*	Blende 1500 3Z	Control panel 1500 3Z	y	
	82.1027.100	*	Blende 1500 3Z mit Schublade	Control panel 1500 3Z with drawer	5	
	82.1000.01	*	Blende Rückseite 400	Back panel 400	b h	
	82.1000.02	*	Blende Rückseite 500	Back panel 500	u l	
	82.1000.05	*	Blende Rückseite 800	Back panel 800	d k	
	82.1000.07	OG7445	Blende Rückseite 1000	Back panel 1000	w 3	
	82.1000.08	*	Blende Rückseite 1200	Back panel 1200	f n	
	82.1000.09	*	Blende Rückseite 1500	Back panel 1500	y 5	
3	1 701 1072	OG6833	Senkschraube M5x25	Bolt M5x25	all Types	
4	82.7009	OG6247	Dichtung Drehgriff	Sealing for handle	all Types	
5	82.9124.03	OG6371	Drehgriff mit Adapter 0°x10.0	Handle with adapter 0°x6.0	all Types	
6	82.7217	OG6679	Pfannenträger 500mm 10kW	Pan support 500mm 10kW	Standard 10KW	
	82.7460.01		Pfannenträger 500mm 10kW ECO	Pan support 500mm 10kW ECO	Eco flame 10kW	
	82.7258	OG6725	Pfannenträger 400mm 5-7kW	Pan support 400mm 5-7kW	Standard 7KW	
	82.7360.01		Pfannenträger 400mm 5-7kW ECO	Pan support 400mm 5-7kW ECO	Eco flame 7kW	
	82.7270		Pfannenträger 400mm 10kW	Pan support 400mm 10kW	Special 10kW	
6a	82.7460.02		Pfannenträger 500mm 10kW ECO	Pan support 500mm 10kW ECO	Eco flame 10kW	
	82.7360.02		Pfannenträger 400mm 5-7kW ECO	Pan support 400mm 5-7kW ECO	Eco flame 7kW	



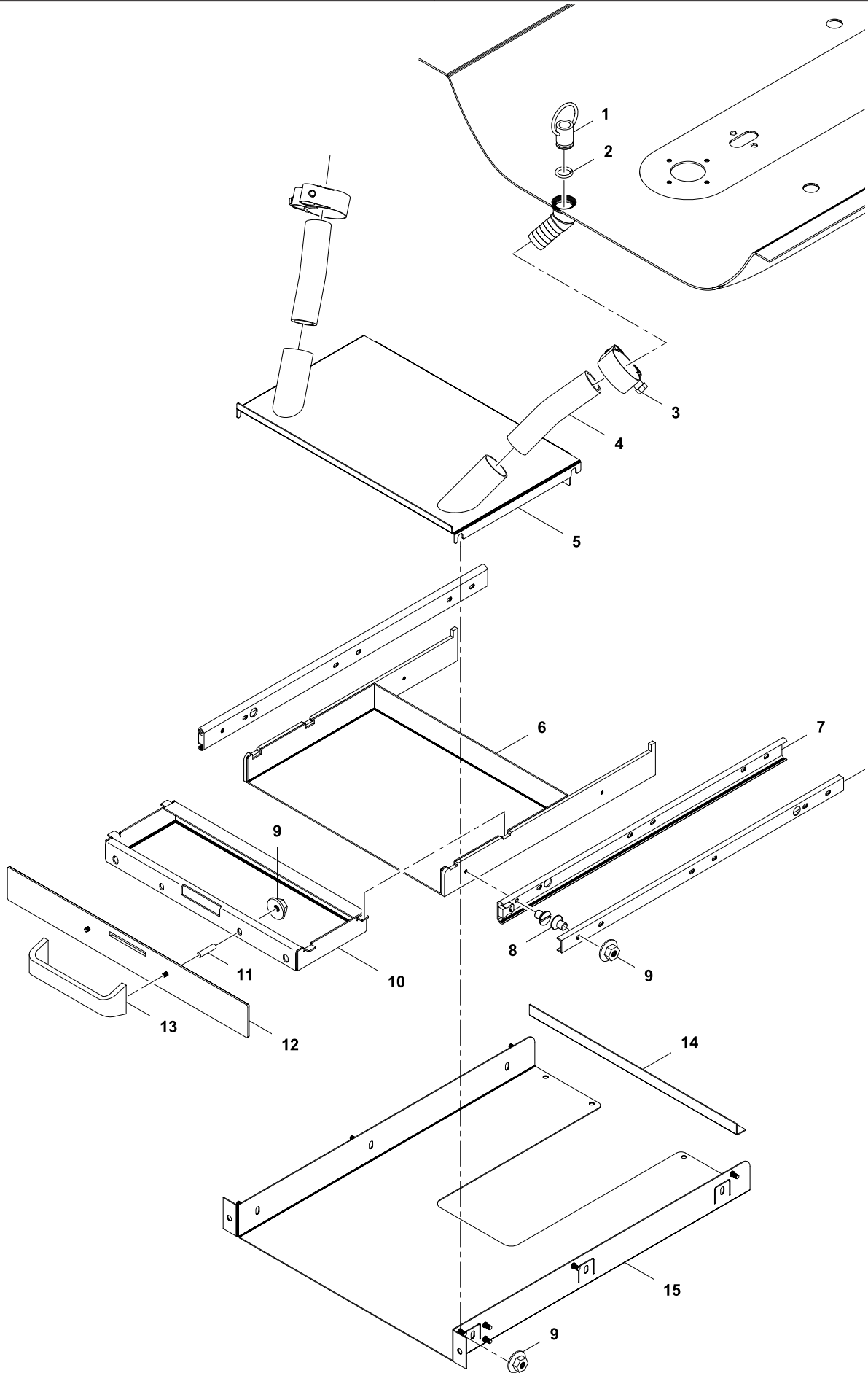
<b>2</b>	Alias	Code	Bezeichnung	Description	Ref.	Valid from Serial N°
1	82.7451	???	Brennerdeckel 5kW	Flame spreader top 5kW	all 5kW	
	82.7260	OG6350	Brennerdeckel 7kW	Flame spreader top 7kW	all 7kW	
	82.7222	OG6352	Brennerdeckel 10kW	Flame spreader top 10kW	all 10kW	
2	1 701 2782	OC0127	Brennerkörper 5 - 7kW	Flame spreader bottom 5 - 7kW	5kW/7kW	
	1 701 2781	OC0126	Brennerkörper 10kW	Flame spreader bottom 10kW	10kW	
3	1 701 2023	OG6863	Zylinderkopfschraube M4x12	Cylinder head screw M4x12	all types	
4	82.7391	OG6351	Brennerrohr 5 - 7kW	Burner tube 5 - 7kW	5kW/7kW	
	82.7302	OG6353	Brennerrohr 10kW	Burner tube 10kW	10kW	
5	82.7282	052062	Regulierhülse	Aeration tube	5kW/7kW	
	82.7303	058302	Regulierhülse	Aeration tube	10kW	
6	1 701 2784	OC0124	Halter Brennerrohr	Burner tube support	all types	
7	1 101 3819	OG4253	Verschraubung	Screw fitting	all types	
8	82.7374.01	OG7530	Gasleitung flexibel D12 kurz	Gas pipe flexible D12 kurz	all types	
	82.7374.02	OG7531	Gasleitung flexibel D12 lang	Gas pipe flexible D12 long	all 1-side	
9	1 701 1028	OG3034	Senkkopfschraube M4x12	Screw M4x12	all types	
10	1 701 2791	OC3644	Zündbrenner	Pilot burner	Standard	
	82.7279	OG6726	Zündbrenner LPG	Pilot burner LPG	LPG	
11	1 106 1236	OC0121	Thermoelementschraube	Thermocouple fitting	all types	
12	82.7325	OG6354	Thermoelement M9x1	Thermocouple M9x1	all types	
13	1 701 2793	OC3645	Doppelkegelring 7mm	Pipe connection 7mm	all types	
14	1 701 2794	OC3646	Überwurfmutter M11x1	Sleeve nut M11x1	all types	
15	82.7277	OG6457	Zündbrenneranschluss	Pilot burner connection	all types	
16	82.7283	???	Gewinding	Threaded ring	all types	
17	1 701 2757	OG2960	Klemmring D4	Fixation D4	all types	
18	1 701 2759	OG2958	Anschraubnippel M10	Nipple M10	all types	
19	82.7296.02	???	Gasleitung Zündbrenner kurz	Gas pipe pilot burner short	all types	
	82.7296.03	???	Gasleitung Zündbrenner lang	Gas pipe pilot burner long	all 1-side	



<b>3</b>	<b>Alias</b>	<b>Code</b>	<b>Bezeichnung</b>	<b>Description</b>	<b>Ref.</b>	<b>Valid from Serial N°</b>
1	82.7296.02	???	Gasleitung Zündbrenner kurz	Gas pipe pilot burner short	all types	
	82.7296.03	???	Gasleitung Zündbrenner lang	Gas pipe pilot burner long	all 1-side	
2	1 701 2759	OG2958	Anschraubnippel M10	Nipple M10	all types	
3	1 701 2757	OG2960	Klemmring D4	Fixation D4	all types	
4	82.7223		Gashahn Pintossi 22S	Gas valve Pintossi 22S	all types	
5	712 345053.01	OG3333	Doppelkegelring	Pipe connection	all types	
6	712 345052.03	OKX142	Überwurfmutter	Sleeve nut	all types	
7	82.7374.01	OG7530	Gasleitung flexibel D12 kurz	Gas pipe flexible D12 kurz	all types	
	82.7374.02	OG7531	Gasleitung flexibel D12 lang	Gas pipe flexible D12 long	all 1-side	
8	82.4585.01		Schutzblech oben 400	Protection sheet top 400	all W=400	
	82.4585.02		Schutzblech oben 500	Protection sheet top 500	all W=500	
	82.4585.03		Schutzblech oben 800	Protection sheet top 800	all W=800	
	82.4585.04		Schutzblech oben 1000	Protection sheet top 1000	all W=1000	
	82.4585.05		Schutzblech oben 1200	Protection sheet top 1200	all W=1200	
	82.4585.06		Schutzblech oben 1500	Protection sheet top 1500	all W=1500	
9	82.4648.01		Schutzblech unten 400	Protection sheet bottom 400	all W=400	
	82.4648.02		Schutzblech unten 500	Protection sheet bottom 500	all W=500	
	82.4648.03		Schutzblech unten 800	Protection sheet bottom 800	all W=800	
	82.4648.04		Schutzblech unten 1000	Protection sheet bottom 1000	all W=1000	
	82.4648.05		Schutzblech unten 1200	Protection sheet bottom 1200	all W=1200	
	82.4648.06		Schutzblech unten 1500	Protection sheet bottom 1500	all W=1500	
10	1 701 2579	OG4020	Sechskantschraube M5x16	Hex bolt M5x16	all types	
11	712 344853.09	OKX151	Gewindekappe G1/2"	Cap G1/2"	all types	
12	712 344852.24	OG6841	Gewindemuffe G1/2" x 34	Turnbuckle G1/2" x 34	all types	
13	82.7154		Doppelnippel L500 1/2"	Double nipple L500 1/2"	all types	
14	1 102 2397	OG3621	Rohrverlängerung G1/2"	Pipe extension G1/2"	all types	
15	82.4555		Halteblech Gasrohr	Gas pipe support	all types	
16	1 101 2164	OG5565	Verschraubung	Connction	all 2-sides	
17	1 101 3709	OG5566	Hülse	Pipe inlet	all 2-sides	
18	82.0688.01		Rohr CU 220/L	Pipe CU 220/L	800 2-sides	
	82.0688.03		Rohr CU 220/L	Pipe CU 220/L	900 2-sides	











**Electrolux**

**therma/line 80 / 85 / 90 Nozzle list / Düsentabelle**

Appliance: **Open Burner**

Factory Model: **MxGAXxxP/V/WX**

Range: **800 / 850 / 900**

Doc N°

**10 kW (8,5 kW with Town Gas)**

**82.8041.04**

Town Gas	GAS TYPE	COUNTRY	NOMINAL PRESS.	GAS TYPE <small>Test gases</small>	CATEGORY	Pressure Regulator ±1%	Nozzle main burner (Abb. 2)		Small adjusting nozzle (Abb. 3)		Nozzle ignition burner (Abb. 4)		Aeration adj. PILOT BURNER X (mm) (Abb. 5)	Aeration adj. MAIN BURNER D (mm) (Abb. 1)	Gas Consum.	Gas consumption L/min 956.5 mbar Baro / 20°C Sursee Allmendstrasse				
							Type	mm	Alias N°	Spare Part N°	mm	Alias N°				Spare Part N°	N°	Alias N°	Spare Part N°	Min.
Natural Gas	1	G 110		G110	1a	-	4.70	72.7801.37	Adjust	2 turns	75	82.7390	3.0	10.0	2.58 m³/h	35.62	37.50	39.37		
	2	G 120		G120	1b	-	4.20	72.7801.42	Adjust	2 turns	75	82.7390	3.0	9.0	2.02 m³/h	31.82	33.49	35.17		
	3		HU	25	G20	2H	-	2.20	72.7801.09	1.05	712.345064.42	002992	41	72.7754	0KT740	0.0	17.05	17.94	18.84	
	4				G25.1	2S	-	2.50	72.7801.18	1.05	712.345064.42	002992	41	72.7754	0KT740	0.0	12.3 m³/h	19.73	20.77	21.81
	5	Natural Gas H	AT, CH, DK, EE, ES, FI, GB, GR, IE, IT, LV, NO, PT, SE, SI, SK, BG, CZ, HR, LT, RO, TR, CZ	20	G20	2H	-	2.35	72.7801.17	1.05	712.345064.42	002992	41	72.7754	0KT740	0.0	17.05	17.94	18.84	
	6	Natural Gas E	DE, LU, PL	20	G20	2E	-	2.35	72.7801.17	1.05	712.345064.42	002992	41	72.7754	0KT740	0.0	17.05	17.94	18.84	
	7	Natural Gas H/L Pressure Couple	BE, FR	20/25	G20 G25	2E+	-	2.35	72.7801.17	1.05	712.345064.42	002992	41	72.7754	0KT740	0.0	17.05	17.94	18.84	
	8	Natural Gas L	NL	25	G25	2L	-	2.45	72.7801.11	1.05	712.345064.42	002992	41	72.7754	0KT740	0.0	12.3 m³/h	19.73	20.77	21.81
	9	Natural Gas LL	DE	20	G25	2LL	-	2.55	72.7801.41	1.05	712.345064.42	002992	41	72.7754	0KT740	0.0	12.3 m³/h	19.83	20.87	21.91
	10	Propan	CH, DE, FR, HU, NL, PL	50	G31	3P	-	1.50	82.7388.08	0.65	712.345064.18	0K5872	25	72.7755	054593	0.79 Kg/h	6.40	6.74	7.07	
11	Butan/Propan	CZ, CY, DK, EE, FI, HU, LV, LT, MT, NL, NO, SE, SI, SK, BG, HR, IS, RO, TR	30	G30/31	3B/P	-	1.50	82.7388.08	0.70	712.345064.38	0G6894	25	72.7755	054593	0.79 Kg/h	6.48	6.82	7.16		
12	Butangas Propan Pressure Couple	BE, CH, ES, FR, GB, GR, IE, IT, PT, LT, SI, CZ, EE, LV, SK	25-30/37	G30/31	3+	-	1.55	82.7388.09	0.75	712.345064.22	0KK127	25	72.7755	054593	0.78 Kg/h	4.95	5.21	5.47		
13			50	G31	3+	-	1.35	82.7388.06	0.65	712.345064.18	0K5872	25	72.7755	054593	0.78 Kg/h	4.85	5.11	5.36		
14			37	G31	3+	-	1.55	82.7388.09	0.75	712.345064.22	0KK127	25	72.7755	054593	0.78 Kg/h	4.95	5.21	5.47		

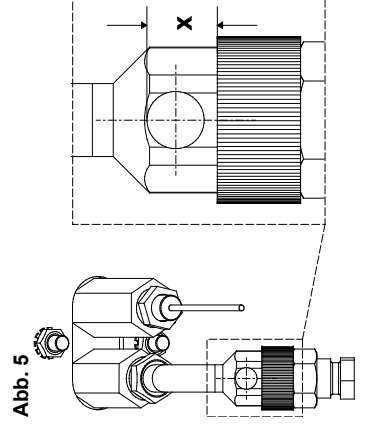


Abb. 5

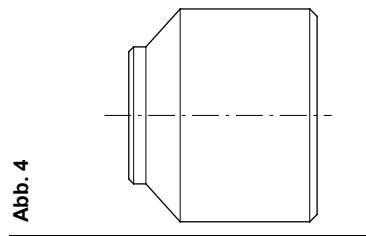


Abb. 4

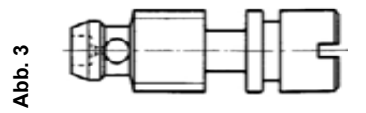


Abb. 3

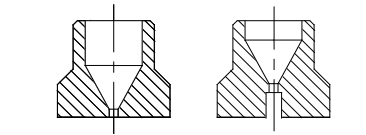


Abb. 2

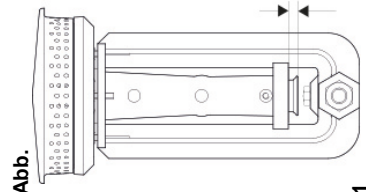


Abb.



**Electrolux**

**therma/line 80 / 85 / 90 Nozzle list / Düsentabelle**

Appliance: Nominal heat input : 5 kW (5 kW with Town Gas)

Factory Model: MXGAXXXPV/WX

Range: 800 / 850 / 900

Doc N°

Open Burner 82.8041.04

Town Gas	GAS TYPE	COUNTRY	NOMINAL PRESS.	GAS TYPE TEST GASES	CATEGORY	Pressure Regulator ±1%	Nozzle main burner (Abb. 2)			Small adjusting nozzle (Abb. 3)			Nozzle ignition burner (Abb. 4)		Aeration adj. PILOT BURNER X (mm) (Abb. 5)	Aeration adj. MAIN BURNER D (mm) (Abb. 1)	Gas Consum.	Gas consumption L <sup>3</sup> /min 956.5 mbar Baro / 20°C Sursee Allmendstrasse	
							Type	mm	Alias N°	Spare Part N°	mm	Alias N°	Spare Part N°	N°				Alias N°	Part N°
Natural Gas	1	G 110	8	G110	1a	-	3,25	72.7801.44	-	Adjust	2 turns	75	82.7390	-	8.0	1,29 m <sup>3</sup> /h	20,95	23,16	
	2	G 120	8	G120	1b	-	3,00	72.7801.45	-	Adjust	2 turns	75	82.7390	-	8.0	1,01 m <sup>3</sup> /h	18,72	20,69	
	3	Natural Gas H	HU	25	G20	2H	-	1,55	72.7801.04	0A2103	0,80	712.345064.40	056743	41	72.7754	0K1T740	0,53 m <sup>3</sup> /h	8,52	9,42
								1,75	72.7801.34	059315	0,80	712.345064.40	056743	41	72.7754	0K1T740	0,61 m <sup>3</sup> /h	9,86	10,38
								1,65	72.7801.19	0A2141	0,80	712.345064.40	056743	41	72.7754	0K1T740	0,53 m <sup>3</sup> /h	8,52	9,42
	4	Natural Gas H	AT, CH, DK, EE, ES, FI, GB, GR, IE, IT, LV, NO, PT, SE, SI, SK, BG, CZ, HR, LT, RO, TR, CZ	20	G20	2H	-	1,65	72.7801.19	0A2141	0,80	712.345064.40	056743	41	72.7754	0K1T740	0,53 m <sup>3</sup> /h	8,52	9,42
	5	Natural Gas E	DE, LU, PL	20	G20	2E	-	1,65	72.7801.19	0A2141	0,80	712.345064.40	056743	41	72.7754	0K1T740	0,53 m <sup>3</sup> /h	8,52	9,42
	6	Natural Gas L	BE, FR	20/25	G20	2E+	-	1,65	72.7801.19	0A2141	0,80	712.345064.40	056743	41	72.7754	0K1T740	0,53 m <sup>3</sup> /h	8,52	9,42
	7	Natural Gas L	NL	25	G25	2L	-	1,75	72.7801.44	002916	0,75	712.345064.22	0KK127	41	72.7754	0K1T740	0,61 m <sup>3</sup> /h	9,86	10,38
	8	Natural Gas L	DE	20	G25	2LL	-	1,85	72.7801.45	0A2090	0,80	712.345064.40	056743	41	72.7754	0K1T740	0,61 m <sup>3</sup> /h	9,91	10,44
	9	Propan	NL	50	G31	3P	-	1,05	82.7388.01	0G6603	0,45	712.345064.23	0KD856	25	72.7755	054593	0,39 kg/h	3,20	3,37
								1,05	82.7388.01	0G6603	0,45	712.345064.23	0KD856	25	72.7755	054593	0,39 kg/h	3,24	3,41
	10	Butan/Propan	AT, CH, DE	50	G30/31	3BIP	-	1,10	82.7388.02	0G6518	0,50	712.345064.25	0T2199	25	72.7755	054593	0,39 kg/h	2,48	2,61
								1,00	82.7388.10	0G6607	0,45	712.345064.23	0KD856	25	72.7755	054593	0,39 kg/h	2,43	2,55
								1,10	82.7388.02	0G6518	0,50	712.345064.25	0T2199	25	72.7755	054593	0,39 kg/h	2,48	2,61
11	Butangas Propan Pressure Couple	BE, CH, ES, FR, GB, GR, IE, IT, PT, LT, SI, CZ, EE, LV, SK	28-30 / 37	G30/31	3+	-	1,10	82.7388.02	0G6518	0,50	712.345064.25	0T2199	25	72.7755	054593	0,39 kg/h	2,48	2,61	

Abb. 1

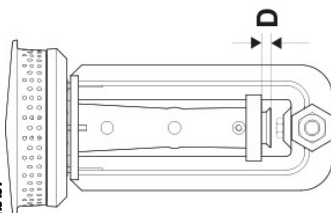


Abb. 2

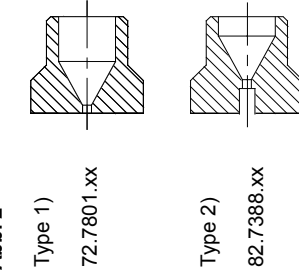


Abb. 3

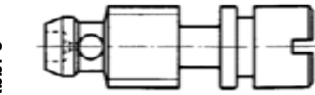


Abb. 4

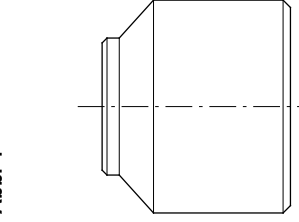
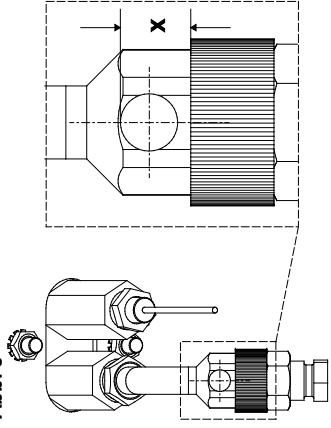


Abb. 5





**Electrolux**

**therma<sup>line</sup> 80 / 85 / 90 Nozzle list / Düsentabelle**

Appliance:

Nominal heat input:

Factory Model:

Range:

Doc N°

**Open Burner**

**7 kW (6,5 kW with Town Gas)**

**MXGAXXXP/V/WX**

**800 / 850 / 900**

**82.8041.04**

GAS TYPE	COUNTRY	NOMINAL PRESS.	GAS TYPE <small>Test gases</small>	CATEGORY	Pressure Regulator ±%	Nozzle main burner (Abb. 2)		Small adjusting nozzle (Abb. 3)		Nozzle ignition burner (Abb. 4)		Aeration adj. PILOT BURNER X (mm) (Abb. 5)	Aeration adj. MAIN BURNER D (mm) (Abb. 1)	Gas Consum.	Gas consumption L/min 956.5 mbar Baro / 20°C Sursee Allmendstrasse																																						
						Type	mm	mm	mm	N°	Alias N°				Spare Part N°	Min.	Nominal -value	Max.																																			
Natural Gas	G 110	DK, SE	G110	1a	-	4.20	72.7801.42	Adjust	2 turns	75	82.7390	3.0	8.0	1.80 m3/h	27.24	30.11																																					
	G 120	SE	G120	1b	-	3.60	72.7801.36	Adjust	2 turns	75	82.7390	3.0	8.0	1.40 m3/h	24.33	26.89																																					
	G 20	HU	G20	2H	-	1.85	72.7801.24	0A2077	0.85	712.345064.26	0G4163	41	72.7754	0K1T740	0.74 m3/h	11.93	13.19																																				
			G25.1	2S	-	2.10	72.7801.31	0A2105	0.85	712.345064.26	0G4163	41	72.7754	0K1T740	0.86 m3/h	13.81	15.26																																				
Natural Gas H	AT, CH, DK, EE, ES, FI, GB, GR, IE, IT, LV, NO, PT, SE, SI, SK, BG, CZ, HR, LT, RO, TR, CZ	20	G20	2H	-	1.95	72.7801.43	0A2301	0.85	712.345064.26	0G4163	41	72.7754	0K1T740	0.74 m3/h	11.93	13.19																																				
																		Natural Gas E	DE, LU, PL	20	G20	2E	-	1.95	72.7801.43	0A2301	0.85	712.345064.26	0G4163	41	72.7754	0K1T740	0.74 m3/h	11.93	13.19																		
																																				Natural Gas H/L Pressure Couple	BE, FR	20/25	G20	2E+	-	1.95	72.7801.43	0A2301	0.85	712.345064.26	0G4163	41	72.7754	0K1T740	0.74 m3/h	11.93	13.19
Natural Gas LL	DE	20	G25	2LL	-	2.20	72.7801.31	0A2105	0.85	712.345064.26	0G4163	41	72.7754	0K1T740	0.86 m3/h	13.88	15.34																																				
																		Propan	CH, DE, FR, HU, NL	50	G31	3P	-	1.25	82.7388.04	0G6456	0.55	712.345064.17	0K5871	25	72.7755	054593	0.55 Kg/h	4.48	4.72	4.95																	
Liquid Gas	CZ, CY, DK, EE, FI, HU, LV, LT, MT, NL, NO, SE, SI, SK, BG, HR, IS, RO, TR	30	G30/31	3B/P	-	1.30	82.7388.05	0G6532	0.60	712.345064.28	0KD905	25	72.7755	054593	0.54 Kg/h	3.47	3.65																																				
																		Butangas Propan Pressure Couple	BE, CH, ES, FR, GB, GR, IE, IT, PT, LT, SI, CZ, EE, LV, SK	50	G30/31	3+	-	1.15	82.7388.03	0G6465	0.50	712.345064.25	0T2199	25	72.7755	054593	0.54 Kg/h	3.40	3.57	3.75																	
																																					2)	1.25	82.7388.04	0G6466	0.55	712.345064.17	0K5871	25	72.7755	054593	0.55 Kg/h	4.54	4.78	5.01			
																																																			2)	1.30	82.7388.05
2)	1.30	82.7388.05	0G6532	0.60	712.345064.28	0KD905	25	72.7755	054593	0.54 Kg/h	3.47	3.65	3.83																																								

Abb. 2

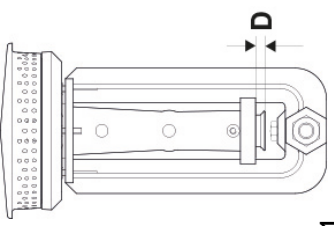


Abb. 3

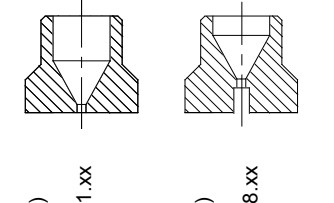


Abb. 4

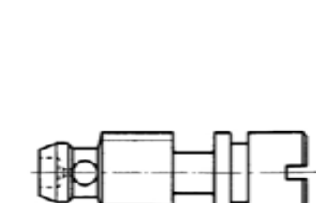


Abb. 5

