

- DE** EL. GROSSKOCHPLATTEN AUF BACKOFEN
 EL. GROSSKOCHPLATTEN AUF WÄRMESCHRANK
- EN** EL. SOLID TOPS ON STATIC OVEN
 EL. SOLID TOPS ON WARMING CABINET

Units with oven

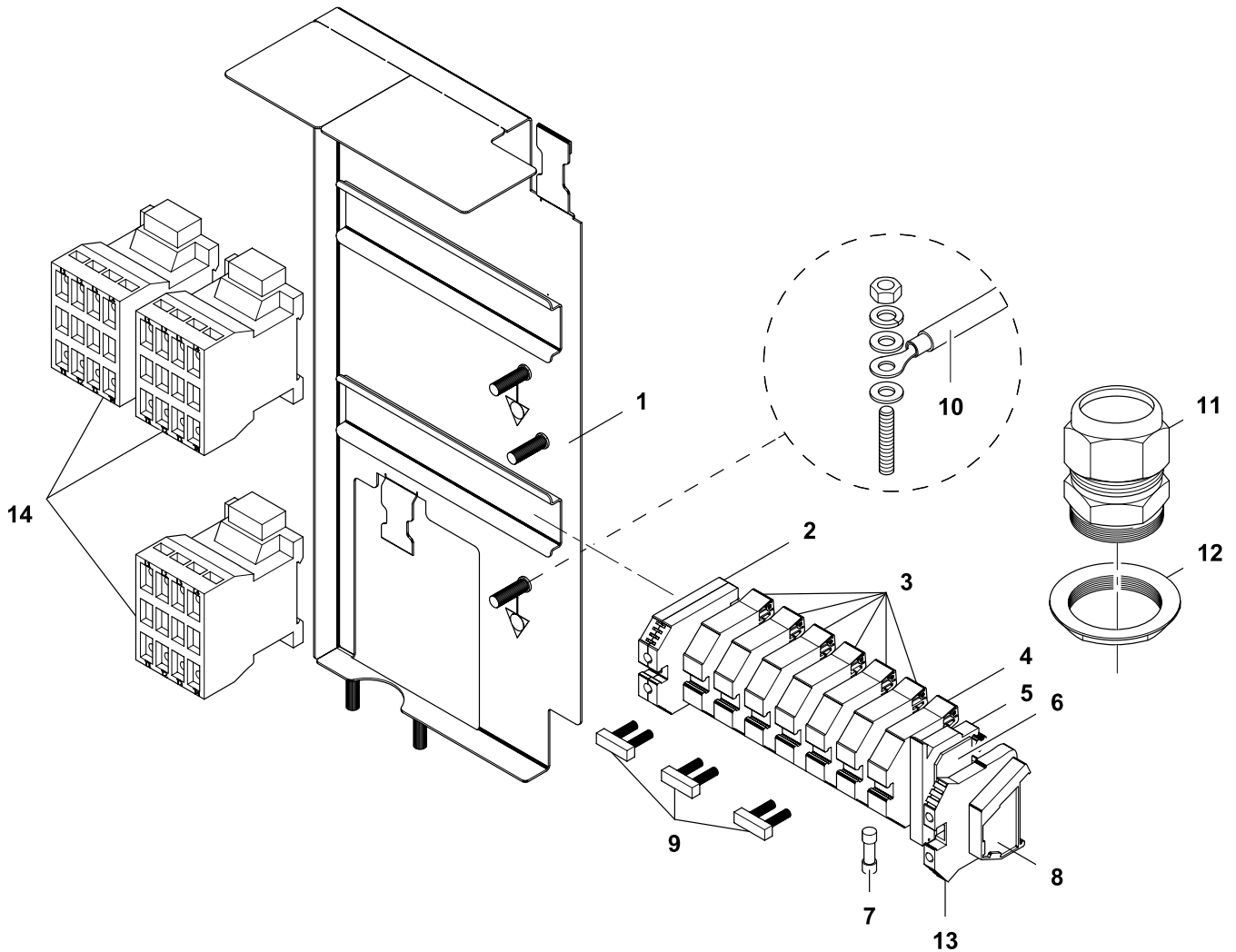
PNC	Factory Model	Ref.	Description
588411	MALLEAH8AO	a	SOLID TOP ON OVEN, 1-SIDE, 800X800X700H
588412	MALLEBH8AO	a	SOLID TOP ON OVEN, 1-SIDE, C-BOARD, 800X800X700H
588413	MALNECH8AO	b	SOLID TOP ON PASSTHROUGH OVEN, 2-SIDE, 800X800X700H
588414	MALMEAH8AO	c	ECO TOP ON OVEN, 1-SIDE, 800X800X700H
588415	MALMEBH8AO	c	ECO TOP ON OVEN, 1-SIDE, C-BOARD, 800X800X700H
588416	MALOECH8AO	d	ECO TOP ON PASSTHROUGH OVEN, 2-SIDE, 800X800X700H
588417	MALLFAH8AO	e	SOLID TOP ON OVEN, 1-SIDE, 800X800X800H
588418	MALLFBH8AO	e	SOLID TOP ON OVEN, 1-SIDE, C-BOARD, 800X800X800H
588419	MALNFCH8AO	f	SOLID TOP ON PASSTHROUGH OVEN, 2-SIDE, 800X800X800H
588420	MALMFAH8AO	g	ECO TOP ON OVEN, 1-SIDE, 800X800X800H
588421	MALMFBH8AO	g	ECO TOP ON OVEN, 1-SIDE, C-BOARD, 800X800X800H
588422	MALOFCH8AO	h	ECO TOP ON PASSTHROUGH OVEN, 2-SIDE, 800X800X800H
588694	MBLLGBH8AO	i	SOLID TOP ON OVEN, 1-SIDE, C-BOARD, 800X850X700H
588695	MBLMGBH8AO	j	ECO TOP ON OVEN, 1-SIDE, C-BOARD, 800X850X700H
589649	MCLLEAJ8AO	k	SOLID TOP ON OVEN, 1-SIDE, 1000X900X700H
589650	MCLLEBJ8AO	k	SOLID TOP ON OVEN, 1-SIDE, C-BOARD, 1000X900X700H
589651	MCLNECJ8AO	l	SOLID TOP ON PASSTHROUGH OVEN, 2-SIDE, 1000X900X700H
589652	MCLMEAJ8AO	m	ECO TOP ON OVEN, 1-SIDE, 1000X900X700H
589653	MCLMEBJ8AO	m	ECO TOP ON OVEN, 1-SIDE, C-BOARD, 1000X900X700H
589654	MCLOECJ8AO	n	ECO TOP ON PASSTHROUGH OVEN, 2-SIDE, 1000X900X700H
589655	MCLLFAJ8AO	o	SOLID TOP ON OVEN, 1-SIDE, 1000X900X800H
589656	MCLLFBJ8AO	o	SOLID TOP ON OVEN, 1-SIDE, C-BOARD, 1000X900X800H
589657	MCLNFCJ8AO	p	SOLID TOP ON PASSTHROUGH OVEN, 2-SIDE, 1000X900X800H
589658	MCLMFAJ8AO	q	ECO TOP ON OVEN, 1-SIDE, 1000X900X800H
589659	MCLMFBJ8AO	q	ECO TOP ON OVEN, 1-SIDE, C-BOARD, 1000X900X800H
589660	MCLOFCJ8AO	r	ECO TOP ON PASSTHROUGH OVEN, 2-SIDE, 1000X900X800H
589882	MCLLEAJ8DM	s	MARINE* SOLID TOP ON OVEN, 1-SIDE, 1000X900X700H
589883	MCLNECJ8DM	t	MARINE* SOLID TOP ON PASSTHROUGH OVEN, 2-SIDE, 1000X900X700H
589884	MCLMEAJ8DM	u	MARINE* ECO TOP ON OVEN, 1-SIDE, 1000X900X700H
589885	MCLOECJ8DM	v	MARINE* ECO TOP ON PASSTHROUGH OVEN, 2-SIDE, 1000X900X700H

Units with warming cabinet

PNC	Factory Model	Ref.	Description
588457	MALPEAH4AO		EL. SOLID TOP ON WARMING CABINET, 800X800X700H
588458	MALPEBH4AO		EL. SOLID TOP ON WARMING CABINET, C-BOARD, 800X800X700H
588459	MALRECH4AO		EL. SOLID TOP ON WARMING CABINET, PASSTHROUGH, 800X800X700H
588460	MALQEAH4AO		EL. ECO TOP ON WARMING CABINET, 800X800X700H
588461	MALQEBH4AO		EL. ECO TOP ON WARMING CABINET, C-BOARD, 800X800X700H
588462	MALSECH4AO		EL. ECO TOP ON WARMING CABINET, PASSTHROUGH, 800X800X700H
588463	MALPFAH4AO		EL. SOLID TOP ON WARMING CABINET, 800X800X800H
588464	MALPFBH4AO		EL. SOLID TOP ON WARMING CABINET, C-BOARD, 800X800X800H
588465	MALRFCH4AO		EL. SOLID TOP ON WARMING CABINET, PASSTHROUGH, 800X800X800H
588466	MALQFAH4AO		EL. ECO TOP ON WARMING CABINET, 800X800X800H
588467	MALQFBH4AO		EL. ECO TOP ON WARMING CABINET, C-BOARD, 800X800X800H
588468	MALSFCH4AO		EL. ECO TOP ON WARMING CABINET, PASSTHROUGH, 800X800X800H
588704	MBLPGBH4AO		EL. SOLID TOP ON WARMING CABINET, C-BOARD, 800X850X700H
588705	MBLQGBH4AO		EL. ECO TOP ON WARMING CABINET, C-BOARD, 800X850X700H
588706	MBLTGBH4AO		EL. SOLID TOP ON WARMING CABINET, NHC, C-BOARD, 800X850X700H
588707	MBLUGBH4AO		EL. ECO TOP ON WARMING CABINET, NHC, C-BOARD, 800X850X700H
589695	MCLPEAJ4AO		EL. SOLID TOP ON WARMING CABINET, 1000X900X700H
589696	MCLPEBJ4AO		EL. SOLID TOP ON WARMING CABINET, C-BOARD, 1000X900X700H
589697	MCLRECI4AO		EL. SOLID TOP ON WARMING CABINET, PASSTHROUGH, 1000X900X700H
589698	MCLQEAJ4AO		EL. ECO TOP ON WARMING CABINET, 1000X900X700H
589699	MCLQEBJ4AO		EL. ECO TOP ON WARMING CABINET, C-BOARD, 1000X900X700H
589700	MCLSECI4AO		EL. ECO TOP ON WARMING CABINET, PASSTHROUGH, 1000X900X700H
589701	MCLPFAJ4AO		EL. SOLID TOP ON WARMING CABINET, 1000X900X800H
589702	MCLPFBJ4AO		EL. SOLID TOP ON WARMING CABINET, C-BOARD, 1000X900X800H
589703	MCLRFCJ4AO		EL. SOLID TOP ON WARMING CABINET, PASSTHROUGH, 1000X900X800H
589704	MCLQFAJ4AO		EL. ECO TOP ON WARMING CABINET, 1000X900X800H
589705	MCLQFBJ4AO		EL. ECO TOP ON WARMING CABINET, C-BOARD, 1000X900X800H
589706	MCLSFJ4AO		EL. ECO TOP ON WARMING CABINET, PASSTHROUGH, 1000X900X800H

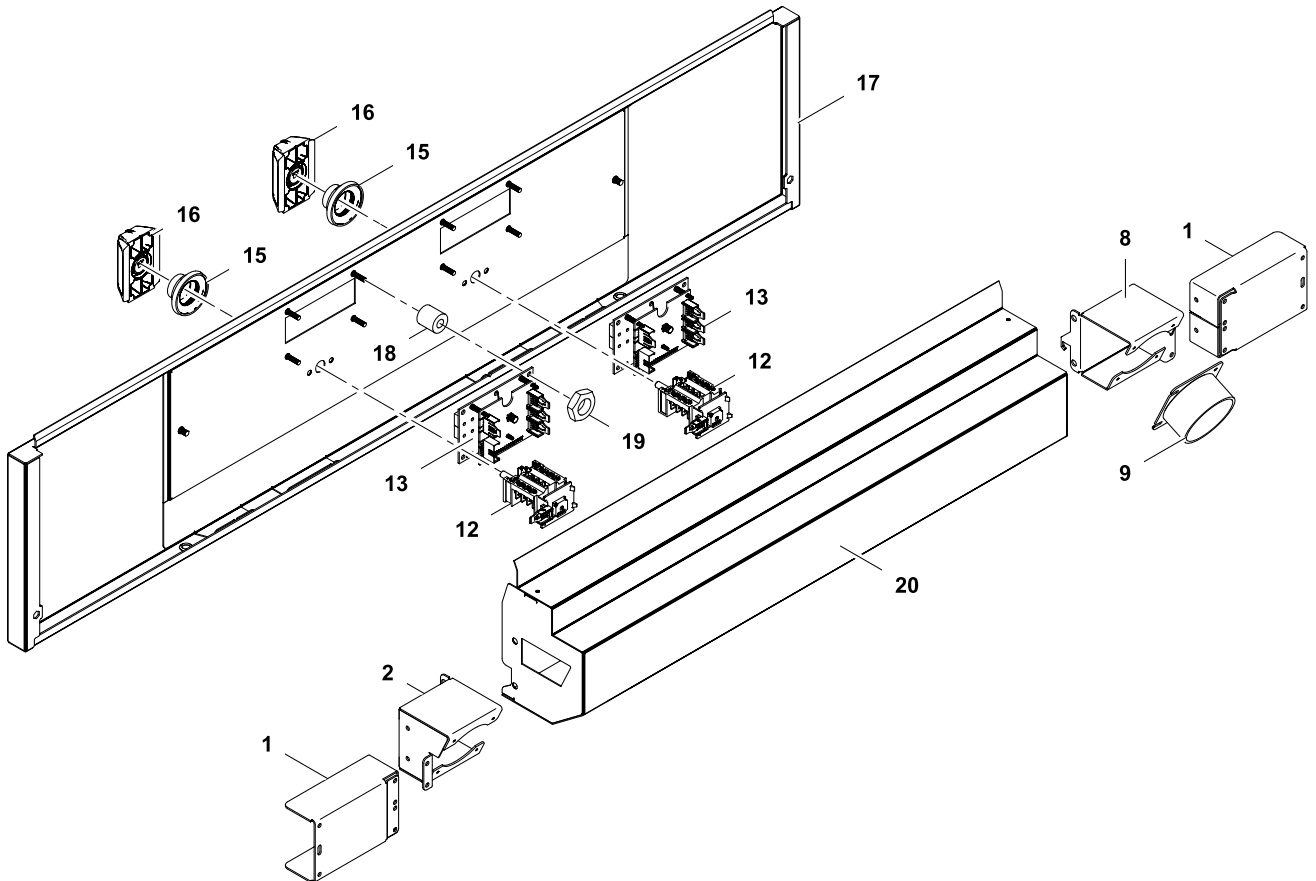
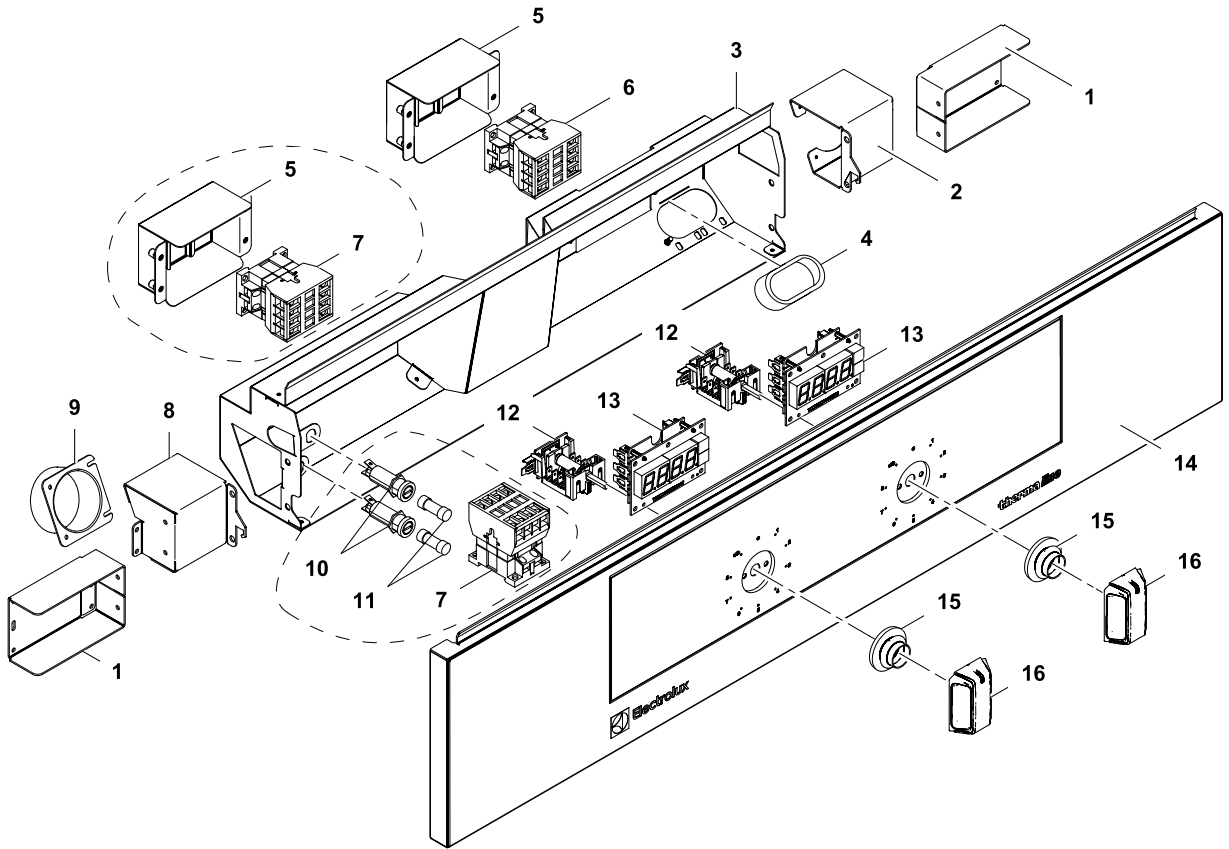
Page	Index	Last Updates	Page
3	Terminal	Ed. 01/2015	all
4	Electrical compartment		
6	Sparta box		
8	Mechanical module		
10	Grease drawer		
12	Aeration kit		
14	Top		
15	Control panel warming cabinet		
16	Warming cabinet		
18	Base warming cabinet		
20	Oven		
22	Oven Base / Control Panel		

Valid from Ser. № 3101...



1	Alias	Code	Bezeichnung	Description	Ref.	Valid from Serial N°
1	82.3030.02	OG6423	Klemmenträger	Terminal support	all types	
2	75.2011.03	OKX291	Schutzleiterklemme 16mm ²	Ground conductor terminal 16mm ²	all types	
3	75.2010.40	OKI280	Reihenklemme 16mm ² grau	Terminal block 16mm ² grey	all types/not in Marine	
4	75.2010.41	OG3488	Nullleiterklemme 16mm ² blau	Neutral wire terminal 16mm ² blue	all types	
5	75.2012.01	OK5155	Sicherungsklemme	Fuse holder terminal	all types	
6	75.2012.02	OT2599	Abschlusswand	Cover for fuse holder terminal	all types	
7	712 344362.01	OG5814	Sicherung 5x20 1 00A	Fuse 5x20 1 00AF	all types	
8	75.2013	OKX290	Arretierstück	Fixation	all types	
9	75.2010.44	OKT731	Querverbinder	Cross connection	all types	
10	82.9103	OG6424	Kabel Haupterd draht L400 6mm ²	Main earthing cable L400 6mm ²	all types	
	62.1504.03	OG5977	Verdrahtung 2.5mmx800	Wiring 2.5mmx800	all types	
11	82.2809	OC0068	PG21 Kabelverschraubung	Cable gland PG21	all types	
12	82.9226	OG7024	PG21 Sicherungsmutter	Lock nut PG21	all types	
13	75.2010.20	OG7080	Reihenklemme 4mm ² grau	Terminal block 4mm ² grey	Marine	
14	1 115 1757	OG4645	Schütz K3-14x027 + K2-E230	Conductor K3-24x027 + K2-E230	Marine	

* Components on demand
* Teile auf Anfrage

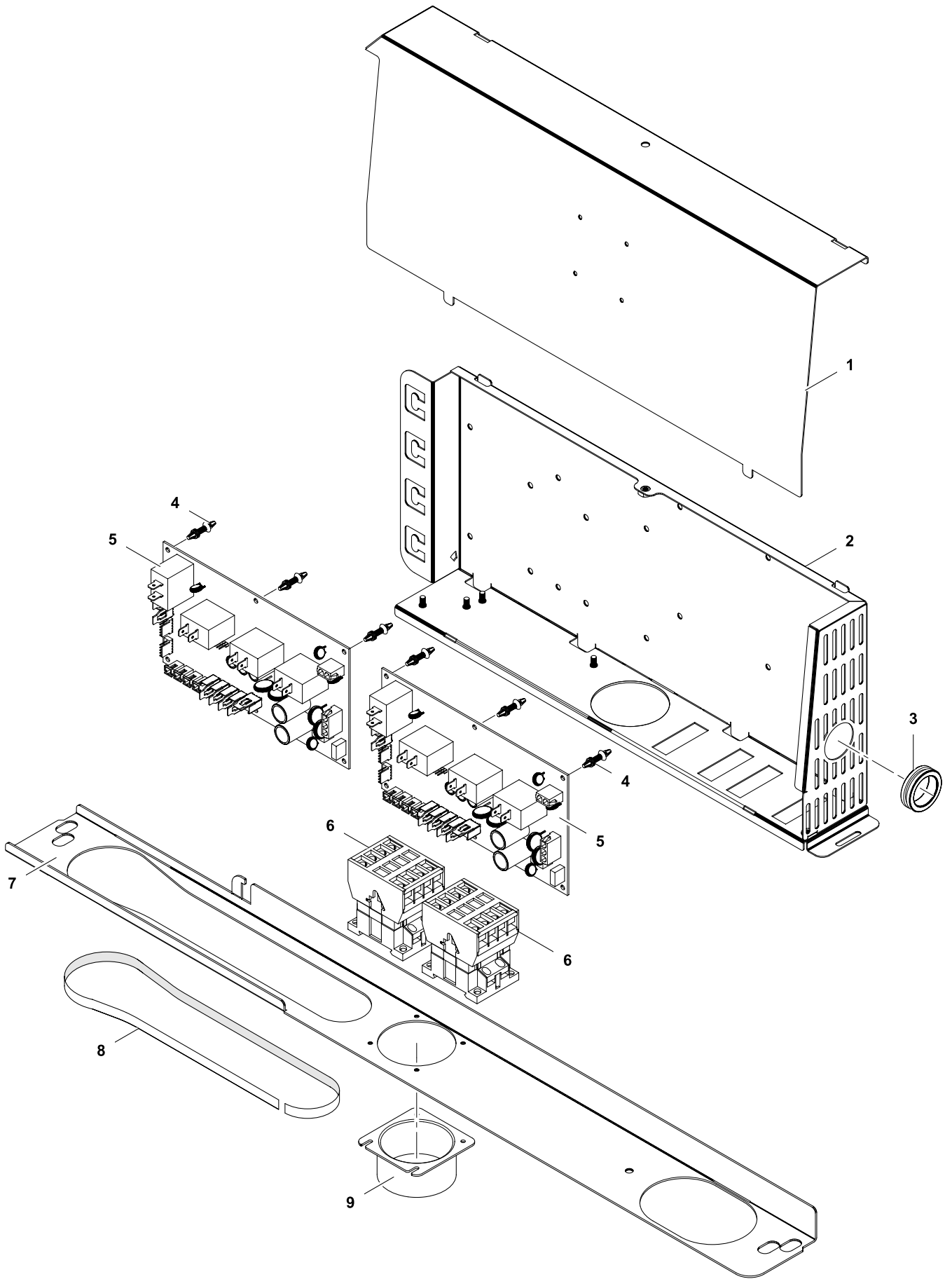


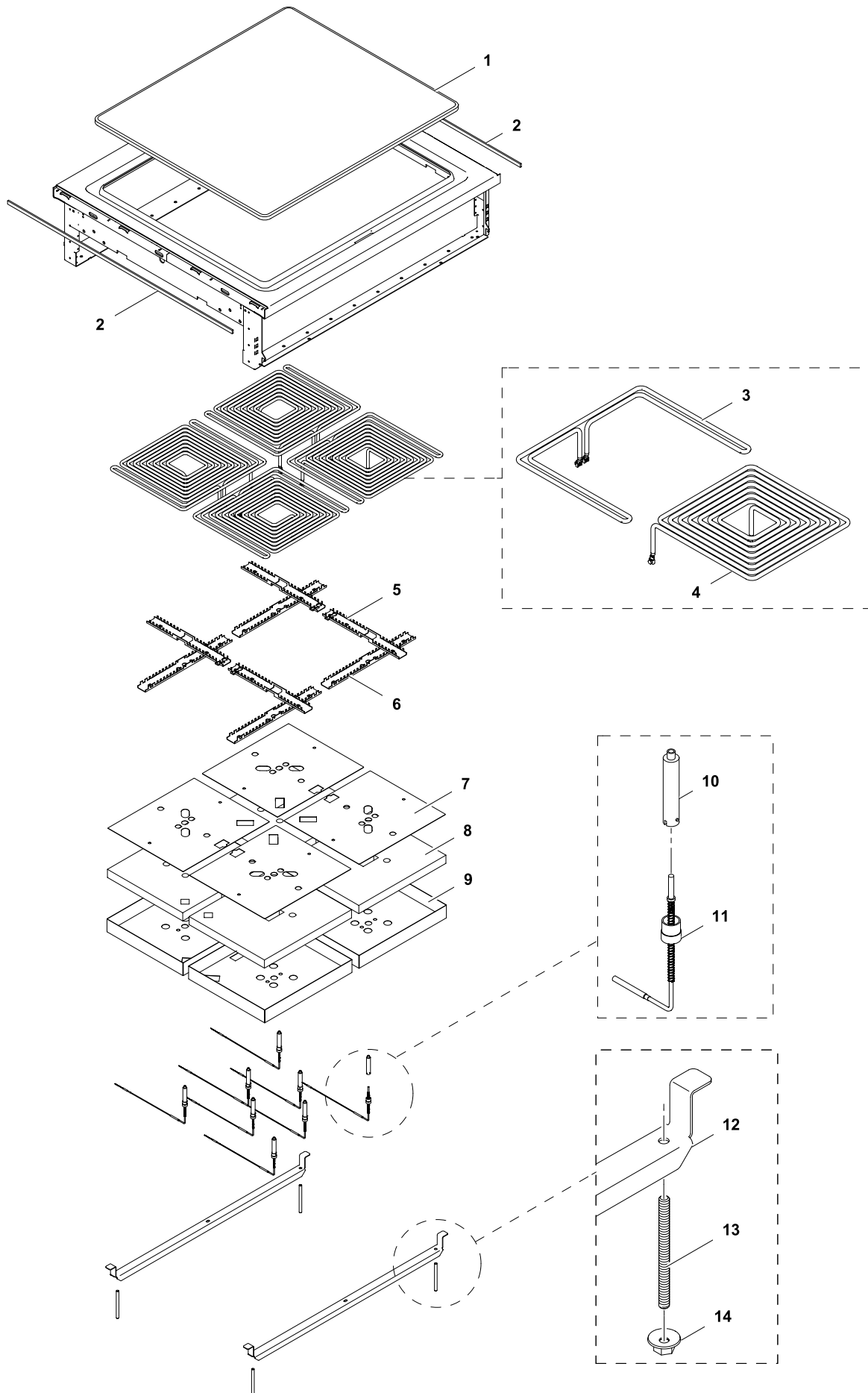
2	Alias	Code	Bezeichnung	Description	Ref.	Valid from Serial N°
1	82.3004.01	*	Halterung Ventilationsbox L=100	Ventilation box support	all types	
2	82.3002	*	Standardventilationsbox rechts	Ventilation box right	all types	
3	82.3034	*	Elektrobox 4 Zonen	Electrical compartment 4 zones	all types	
4	1 201 2086	OG4872	Kantenschutz	Edge protection	all types	
5	82.3045	OG7012	Aufsteckblech	Conductor box	all types	
6	82.9228	???	Schütz K2-30A00-40	Conductor K2-30A00-40	all types	
7	1 115 1757	OG4645	Schütz K3-14x027	Conductor K3-14x027	all types	
8	82.3001	*	Standardventilationsbox links	Ventilation box left	all types	
9	83.3021	*	Rohrstutzen Ø 60.3	Pipe socket Ø 60.3	all types	
10	879204	OC2228	Sicherungshalter Schurter 6.3x32 500V	Fuse holder Schurter 6.3x32 500V	Marine	
11	82.9171	OTTR73	Sicherung 6.3x32 0.63A 500V	Fuse 6.3x32 0.63A 500V	Marine	
12	82.9013	OG6242	Schalter off - 9 Stufen + 10k Potent	Switch off - 9 level + 10k potentiometer	all types	
13	82.7015	OG6246	Eurotas Display	Eurotas Display	D800/900	
	72.5938.04	OKI362	Anzeigelampe grün	Indicator light, green	D850	
	72.5938.08	OKI364	Einsteckfassung grün/gelb Ø10mm	Lamp holder, green/yellow, Ø10mm	D850	
14	82.1027.04	*	Bedienblende 800 1S (Schublade)	Control panel 800 1S (drawer)	a c e g	
	82.1049.04	*	Bedienb. 800 1S INOX (Schublade)	Control panel 800 1S INOX (drawer)	i j	
	82.1027.07	*	Bedienblende 1000 1S (Schublade)	Control panel 1000 1S (drawer)	k m o q s u	
	82.1027.03	*	Bedienblende 800 2S (Schublade)	Control panel 800 2S (drawer)	b d f h	
	82.1027.11	*	Bedienblende 1000 2S (Schublade)	Control panel 1000 2S (drawer)	l n p r t v	
15	82.7009	OG6247	Dichtung Drehgriff	Sealing for handle	all types	
16	82.9124.01	OG6369	Drehgriff mit Adapter 0°x6.0	Handle with adapter 0°x6.0	all types	
17	82.1027.09	*	Bedienblende 800 2S	Control panel 800 2S	b d f h	
	82.1027.06	*	Bedienblende 1000 2S	Control panel 1000 2S	l n p r t v	
	82.1000.05	*	Blende 800	Panel 800	k m o q s u /no CB	
	82.1000.07	*	Blende 1000	Panel 1000	l n p r t v /no C-Board	
18	76.3011	OG3093	Distanzhalter 8mm	Spacer 8mm	D800/900	
19	712 044120.04	OG4918	Keps-Mutter M4	Keps nut M4	all types	
20	82.3036	*	Elektrobox Rückseite	Electrical compartment backside	all 2-Sides	
	82.9001	OG6461	Kabel: Sparta - Display L2200	Cable: Sparta - Display L2200	D800/D900 Standard	
	82.9002	OG6897	Kabel: Display - Display L290	Cable: Display - Display L290	D800/D900 Standard	
	82.9003	OG6899	Kabel: Potentiometer - Dispaly L200	Cable: Potentiometer - Dispaly L200	D800/D900 Standard	
	82.9009	OG6906	Kabel: Sparta - Ventilator L2000	Cable: Sparta - Ventilator L2000	all Standard	
	82.9107	???	Kabel: Sparta - Sparta Kommunikation	Cable: Sparta - Sparta communication	all Standard	
	82.9077	???	Kabel: X0 - RL - Heizungen 12 /3kW	Cable: X0 - RL - heating el. 12 /3kW	D800/850	
	82.9078	???	Kabel: X0 - RL - Heizungen 34 /3kW	Cable: X0 - RL - heating el. 34 /3kW	D800/850	
	82.9079	???	Kabel: X0 - RL - Heizungen 12 /4kW	Cable: X0 - RL - heating el. 12 /4kW	D900	
	82.9080	???	Kabel: X0 - RL - Heizungen 34 /4kW	Cable: X0 - RL - heating el. 34 /4kW	D900	
	82.9125	???	Kabel: Sparta - N - Schalter - P 12	Cable: Sparta - N - switch - P 12	D800	
	82.9126	???	Kabel: Sparta - N - Schalter - P 34	Cable: Sparta - N - switch - P 34	D800	
	82.9081	???	Kabel: Sparta - N - Schalter - P 12 XD	Cable: Sparta - N - switch - P 12 XD	D850	
	82.9082	???	Kabel: Sparta - N - Schalter - P 34 XD	Cable: Sparta - N - switch - P 34 XD	D850	
	82.9083	???	Kabel: Sparta - N - Schalter - P 12	Cable: Sparta - N - switch - P 12	D900	
	82.9084	???	Kabel: Sparta - N - Schalter - P 34	Cable: Sparta - N - switch - P 34	D900	
	82.9022.03	???	Kabel: Schalter S2/3 - Schalter S4 kurz	Cable: switch S2/3 - switch S4 short	all Standard	
	82.9224.03	???	Kabel Schalter - Schütz KS	Cable switch - Sconductor KS	all Standard	
	82.9044.02	OG6181	Kabel: Sparta - Potentiometer L200	Cable: Sparta - potentiometer L200	D850	
	82.9137	???	Kabel: Ventilator - Ventilator	Cable: Ventilator - Ventilator	all Standard 2-Sides	
	82.9198	OG6946	Kabelbaum Solid Top 4Z/1S Marine	Wiring harness Solid Top 4Z/1S Marine	Marine 1-Side	
	82.9215	OG6947	Kabelbaum Solid Top 4Z/2S Marine	Wiring harness Top 4Z/2S Marine	Marine 2-Sides	

* Components on demand
* Teile auf Anfrage

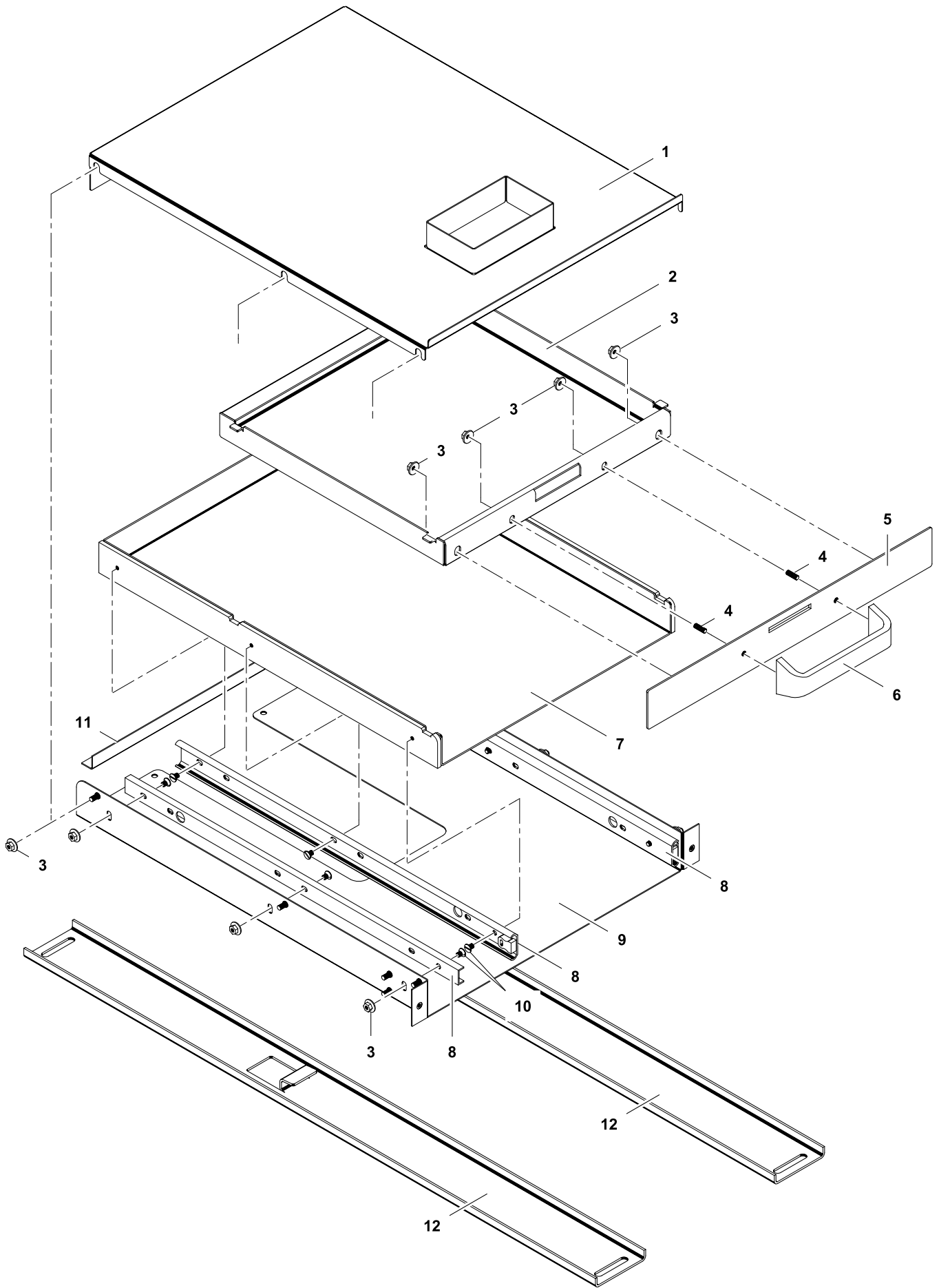
Doc. № 82.8122.03

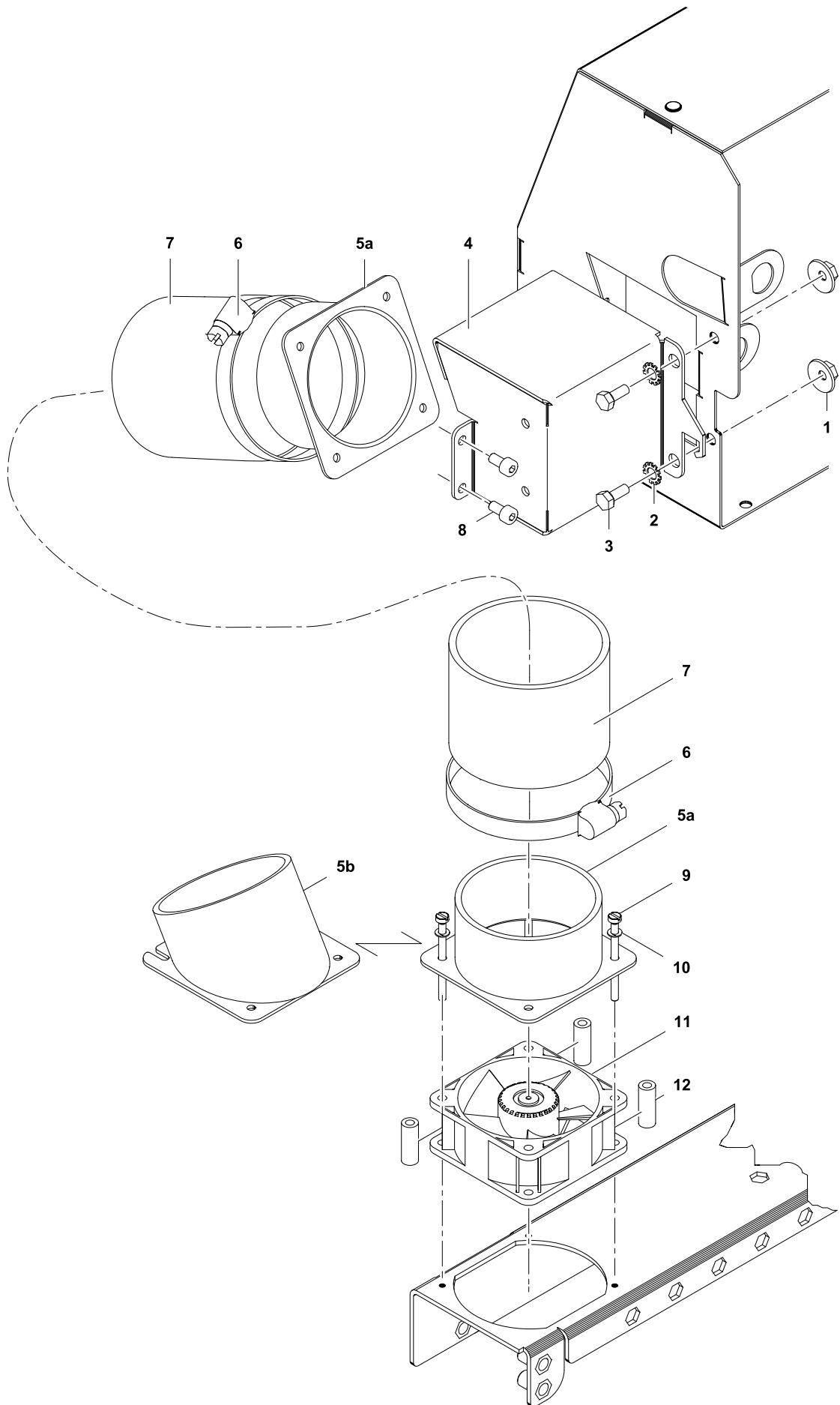
Page: 5

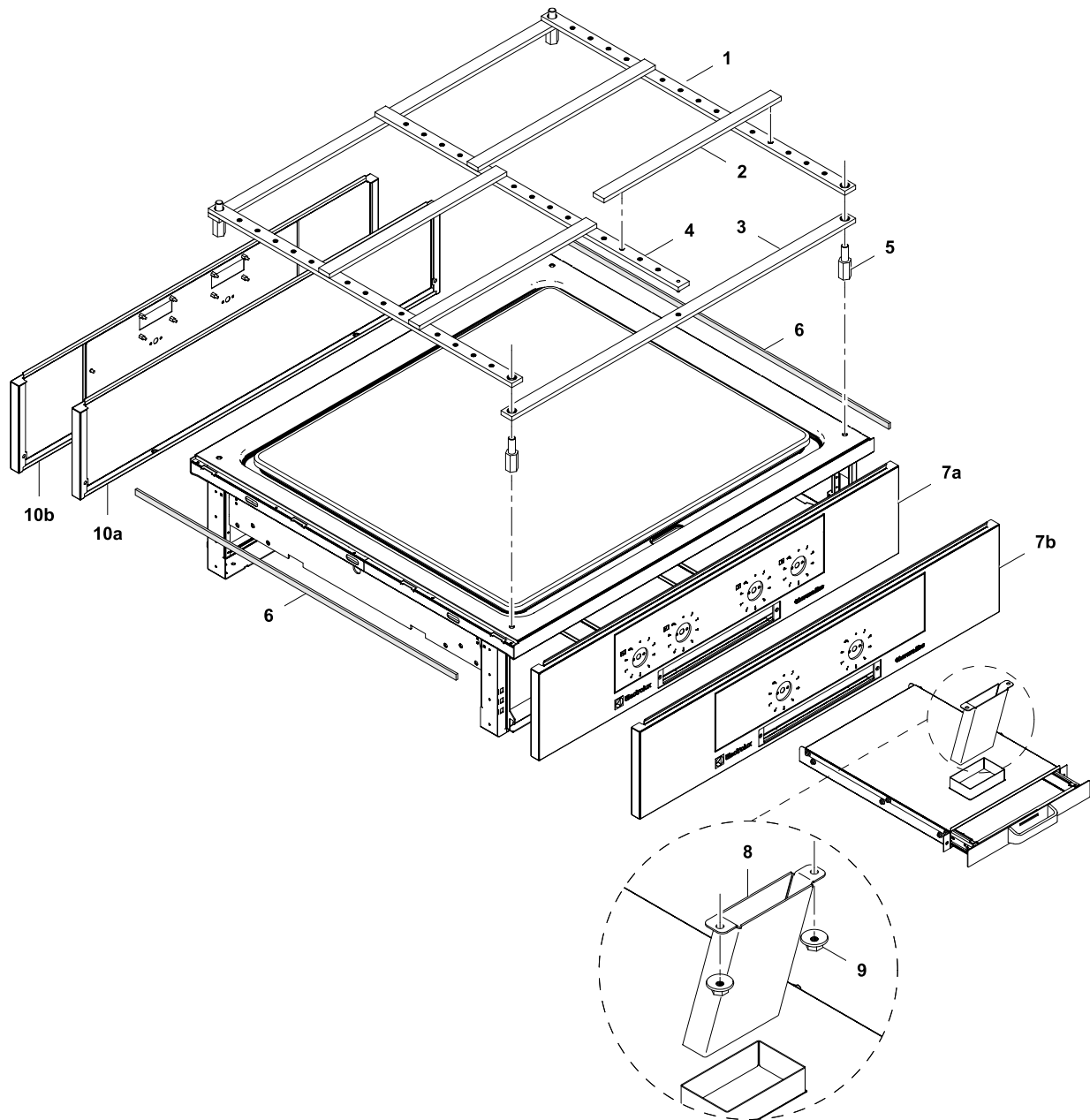




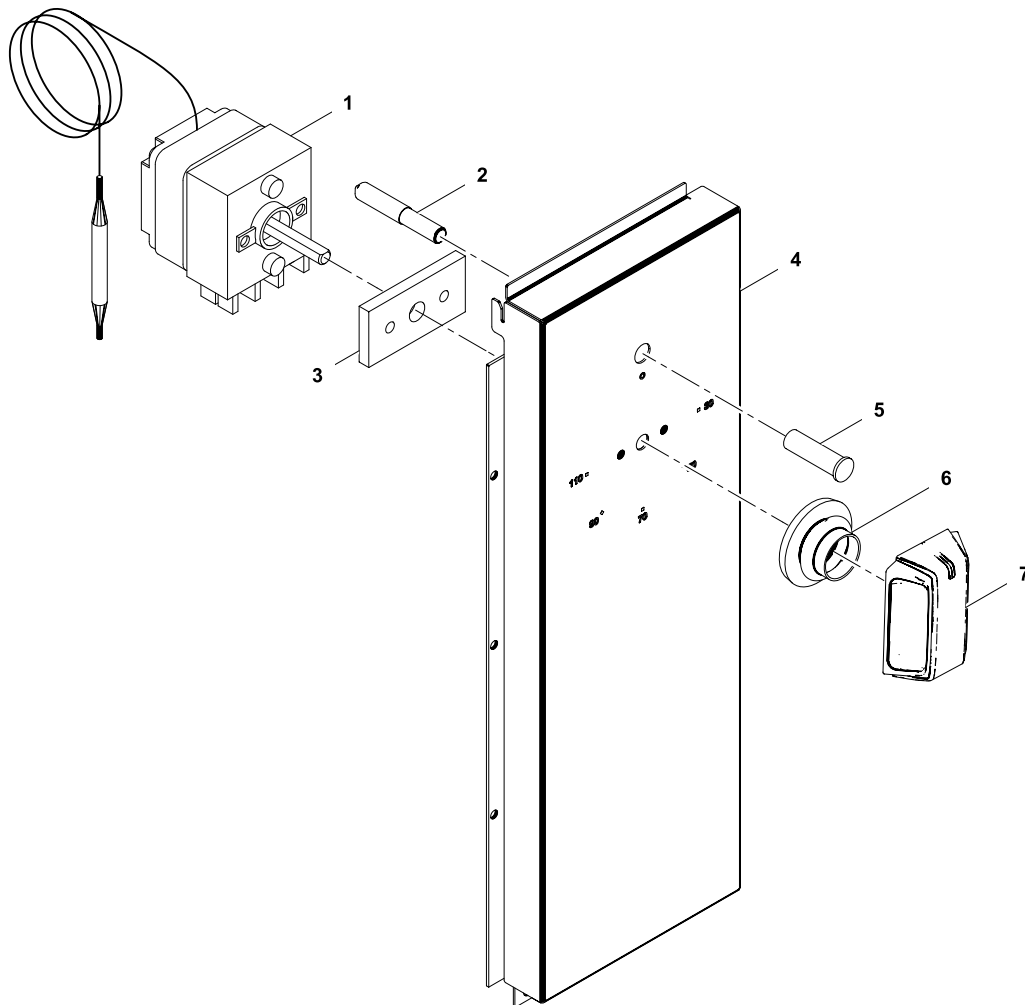
4	Alias	Code	Bezeichnung	Description	Ref.	Valid from Serial N°
1	82.7322.02	???	Kochplatte ECO Top 800x800/850	Cooking plate ECO top 800x800/850	ECO top D800/850	
	82.7322.03	???	Kochplatte Solid Top 800x800/850	Cooking plate Solid top 800x800/850	Solid top D800/850	
	82.7324.02	???	Kochplatte ECO Top 1000x900	Cooking plate ECO top 1000x900	ECO top D900	
	82.7324.03	OG6930	Kochplatte Solid Top 1000x900	Cooking plate Solid top 1000x900	Solid top D900	
2	82.7464	OC2496	Dichtband (klebend)	Sealing strip	all types	
3	82.7166.02	OG6252	Heizelement 1kW 230V	Heating element 1kW 230V	Standard 4Z/D900	
	82.7166.07	OG6951	Heizelement 1kW 440V (Marine)	Heating element 1kW 440V (marine)	Marine 4Z/D900	
4	82.7257.02	OG6251	Heizelement 3kW 230V	Heating element 3kW 230V	Standard 4Z/D900	
	82.7257.07	OG6952	Heizelement 3kW 440V (Marine)	Heating element 3kW 440V (marine)	Marine 4Z/D900	
5	82.2232	???	Heizungshalter längs 800	Heating element support lengthwise	D800/850	
	82.2188	???	Heizungshalter längs 1000	Heating element support lengthwise	D900	
6	82.2231	???	Heizungshalter quer 800	Heating element support crosswise	D800/850	
	82.2187	???	Heizungshalter quer 1000	Heating element support crosswise	D900	
7	82.2233	???	Strahlungsblech 800	Radiation sheet 800	D800/850	
	82.2189	???	Strahlungsblech 1000	Radiation sheet 1000	D900	
8	82.7307.01	???	Isolation Heizelement 3kW	Insulation heating element 3kW	D800/850	
	82.7307.02	???	Isolation Heizelement 4kW	Insulation heating element 4kW	D900	
9	82.2234	???	Verschalung 800	Cover sheet 800	D800/850	
	82.2190	???	Verschalung 1000	Cover sheet 1000	D900	
10	75.9013.04	OKE127	Fühlerschutz	Sensor protection	all types	
11	87.9045	OG5935	TC Bodenfühler rechts (blau)	TC bottom sensor right (blue)	all types	
12	82.1127.01	???	Befestigungsbügel 800	Support	D800/850	
	82.1127.02	???	Befestigungsbügel 1000	Support	D900	
13	72.0343.01	OKD994	Gewindestift M8x100	Set screw M8X100	all types	
14	712 044120.08	???	Keps Mutter M8	Keps nut M8	all types	



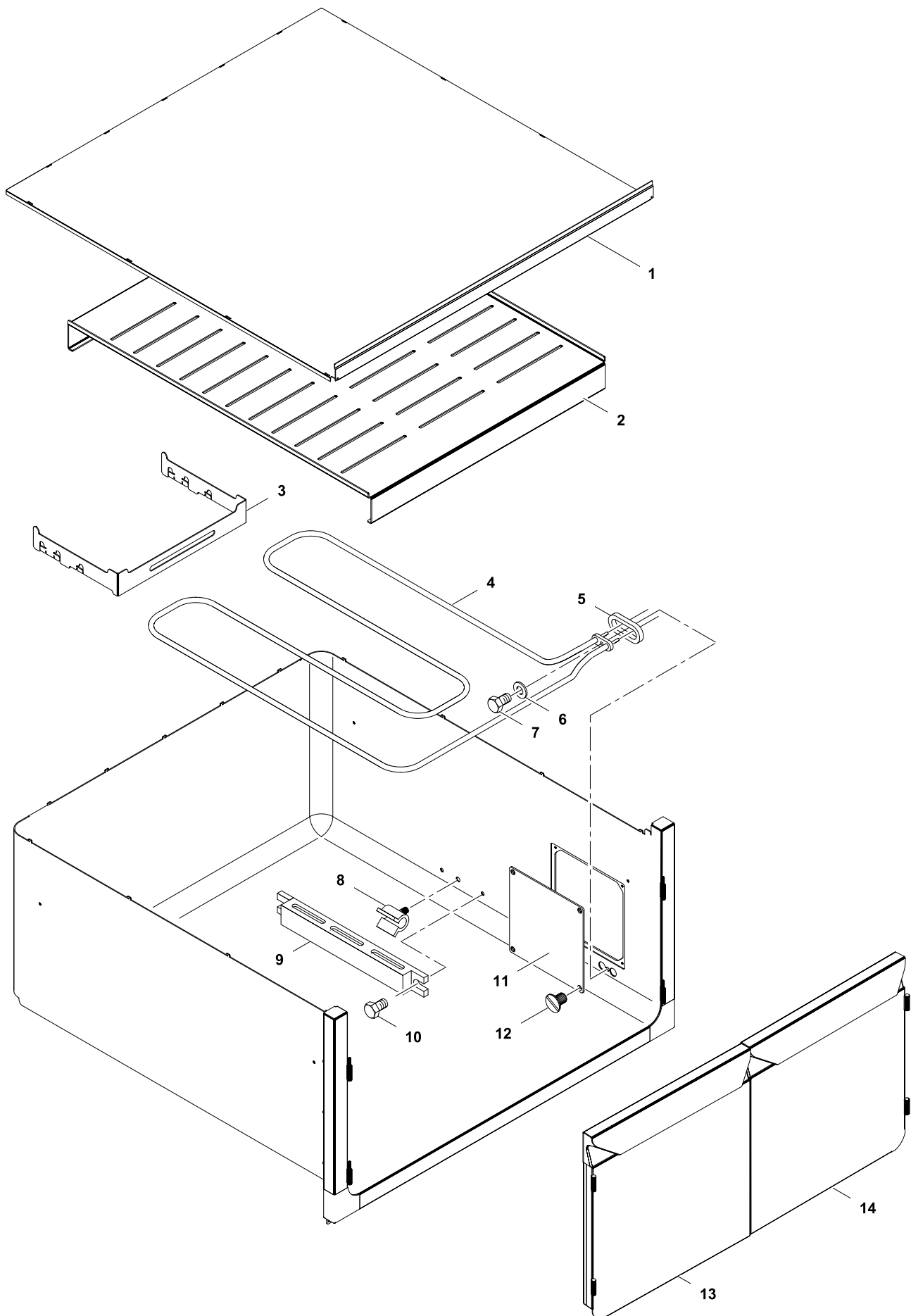




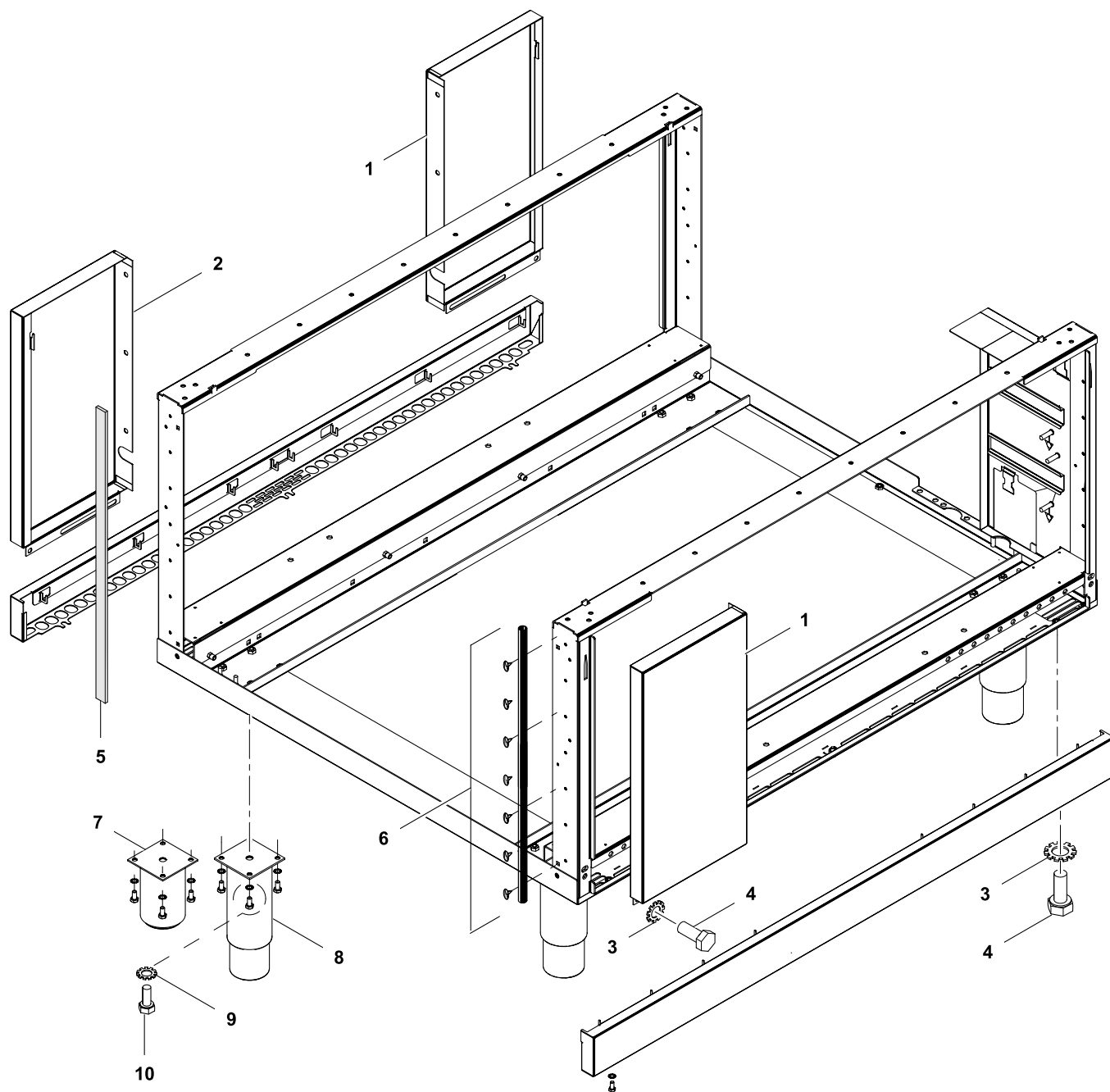
7	Alias	Code	Bezeichnung	Description	Ref.	Valid from Serial N°
1	83.3741	???	Schiene-1000 15xØ8	Rolling rack-1000 15xØ8	Marine	
2	83.3744	???	Schiene-1000 2xØ6	Rolling rack-1000 2xØ6	Marine	
3	83.3743	???	Schiene-1000 2xØ17	Rolling rack-1000 2xØ17	Marine	
4	83.3742	???	Schiene-1000 15xØ8 mittig	Rolling rack-1000 15xØ8 mittig	Marine	
5	705 040432	OG5862	Abstandsbolzen 22x80/M8	Spacer bolt 22x80/M8	Marine	
6	82.7464	OC2496	Dichtband (klebend)	Sealing strip	all types	
7a	82.1027.04	*	Bedienblende 800 1S (Schublade)	Control panel 800 1S (drawer)	a c e g	
	82.1049.04	*	Bedienb. 800 1S INOX (Schublade)	Control panel 800 1S INOX (drawer)	i j	
	82.1027.07	*	Bedienblende 1000 1S (Schublade)	Control panel 1000 1S (drawer)	k m o q s u	
7b	82.1027.03	*	Bedienblende 800 2S (Schublade)	Control panel 800 2S (drawer)	b d f h	
	82.1027.11	*	Bedienblende 1000 2S (Schublade)	Control panel 1000 2S (drawer)	l n p r t v	
8	82.2684	???	Ablauf	Drain	all types	
9	712 044120.04	OG4918	Keps-Mutter M4	Keps nut M4	all types	
10a	82.1000.05	*	Blende 800	Panel 800	k m o q s u /no CB	
	82.1000.07	*	Blende 1000	Panel 1000	l n p r t v /no C-Board	
10b	82.1027.09	*	Bedienblende 800 2S	Control panel 800 2S	b d f h	
	82.1027.06	*	Bedienblende 1000 2S	Control panel 1000 2S	l n p r t v	

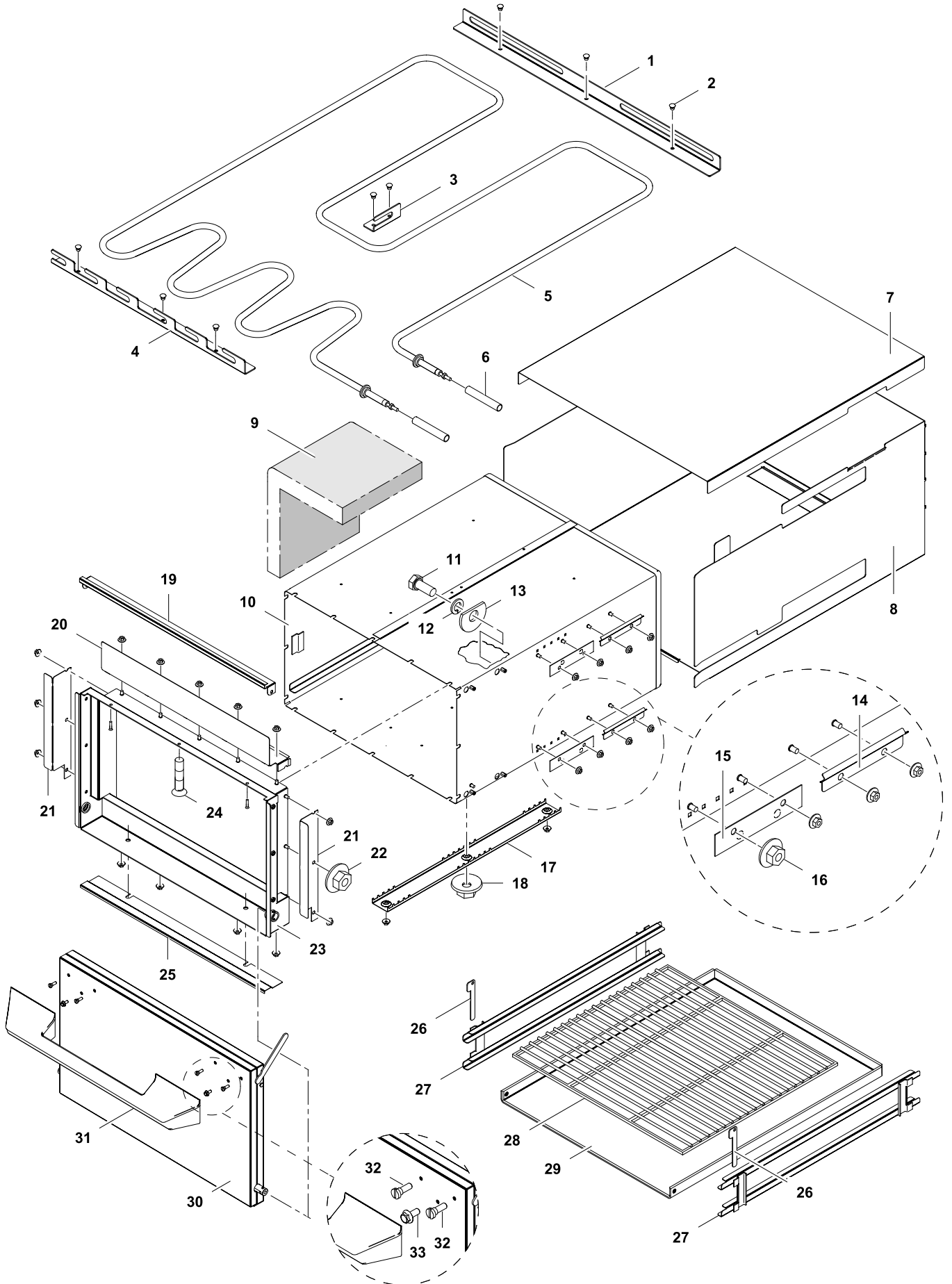


8	Alias	Code	Bezeichnung	Description	Ref.	Valid from Serial N°
1	712 344039	OK5023	Kapillarrohrregler 30-100	Capillary control 30-100	Warming cabinet	
2	72.5938.03	OKI361	Anzeigelampe klar	Indicator light, clear	Warming cabinet	
3	82.2665	OG7229	Zwischenblech	Spacer sheet		
4	82.1043.01	*	Bedienblende warming cabinet, rechts, 130	Control panel warming cabinet, right, 130	Warming cabinet	
	82.1043.04	*	Bedienblende warming cabinet, rechts, 100	Control panel warming cabinet, right, 100	Warming cabinet	
5	72.5938.07	OKI363	Einsteckfassung klar Ø10mm	Lamp holder, clear, Ø10mm	Warming cabinet	
6	82.7009	OG6247	Dichtung Drehgriff	Sealing for handle	Warming cabinet	
7	82.9124.01	OG6369	Drehgriff mit Adapter 0°x6.0	Handle with adapter 0°x6.0	Warming cabinet	
	62.1544.01	???	Kabelbaum: Wärmeschrank komplett	Wiring harness: warming cabinet	Warming cabinet	
	62.1503.02	???	Verdrahtung 2X0.5X 300	Wiring 2x0.5x300	Warming cabinet	
	82.9183	???	Kabel: WS-Qquerstromlüfter	Cable: Warming cab.-cross flow blower	Warming cabinet	

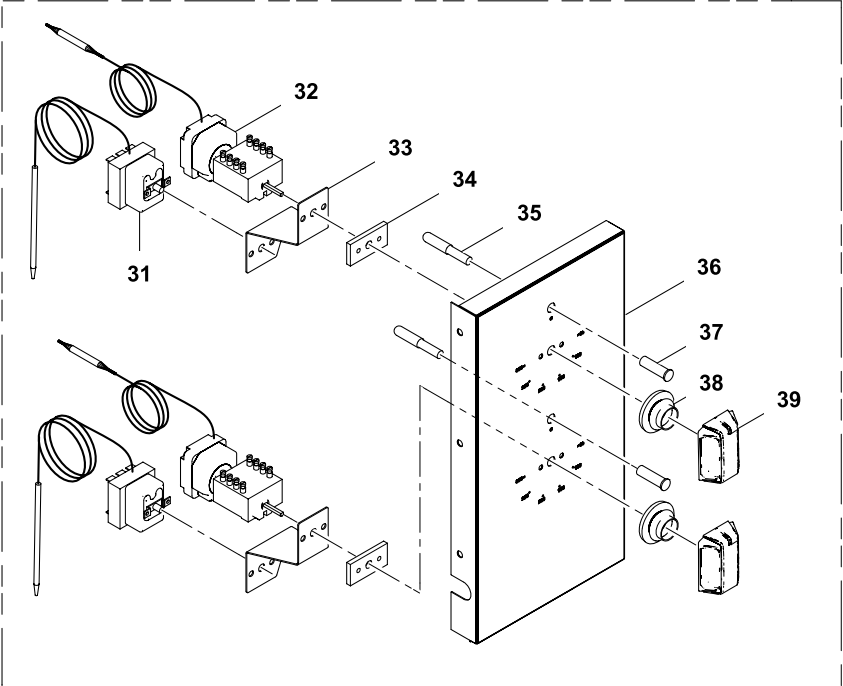
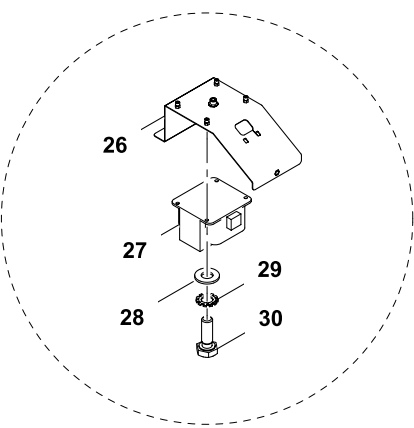
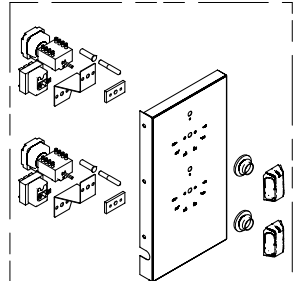
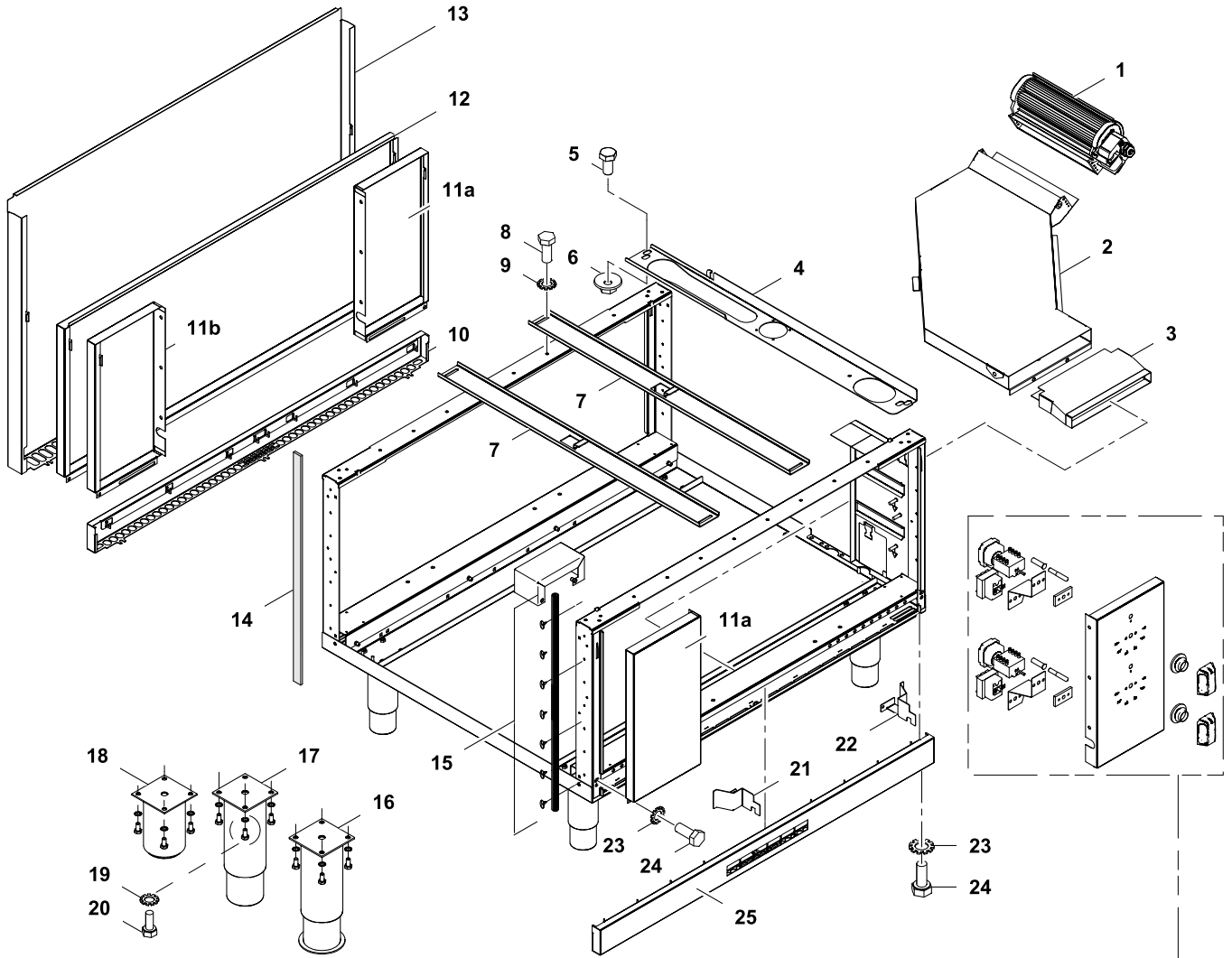


9	Alias	Code	Bezeichnung	Description	Ref.	Valid from Serial N°
1	82.0226.03	*	Korpusdeckel 1S 640	Corpus cover 1S 640	W800/ 1S	
	82.0226.04	*	Korpusdeckel 1S 740	Corpus cover 1S 740	W1000/ 1S	
	82.0084.04	*	Korpusdeckel 2S 640X800	Corpus cover 2S 640X800	W800/1000/ 2S/ D800	
	82.0084.06	*	Korpusdeckel 2S 640X900	Corpus cover 2S 640X900	W800/1000/ 2S/ D900	
2	82.2326.03	???	Einlegeboden 640 1S	False bottom 640 1S	W800/ 1S	
	82.0195.04	???	Einlegeboden 640 2S 900	False bottom 640 2S 900	W800/ 2S	
	82.0195.02	???	Einlegeboden 740 2S 900	False bottom 740 2S 900	W1000/ 2S	
	82.2813.01	???	Einlegeboden 740 1S	False bottom 740 1S	W1000/ 1S	
3	62.4208	???	Halter Heizung	Heating element support	W800/1000	
4	62.4082	OG2911	Heizung 2000W /400V	Heating element 2000W /400V	W800/1000	
5	72.1120	OK4989	Dichtung 44x20x3	Sealing 44x20x3	all types	
6	1 701 7002	OG2923	Fächerscheibe M5	Fan washer M5	all types	
7	1 701 2579	OG4020	Sechslantschraube M5x16	Hex bolt M5x12	all types	
8	1 201 2020	???	Fühlerbefestigung	Sensor fixation	all types	
9	72.6251	???	Fühlerschutz	Sensor protection	all types	
10	1 701 2579	OG4020	Sechslantschraube M5x16	Hex bolt M5x12	all types	
11	82.0223.01	OG6757	Deckel Servicefenster	Lid service cover	all types	
12	1 701 1145	OG6758	Senkkopfschraube M4x6	Countersunk screw M4x6	all types	
13	82.1068.02	???	Tür, doppelt, NHC, 580, links	Door, couple, NHC, 580, left	W800 NHC	
	82.1068.04	???	Tür, doppelt, NHC, 680, links	Door, couple, NHC, 680, left	W1000 NHC	
	82.0255.01	???	Tür, doppelt, 290, links	Door, couple, 290, left	W800 1S/2S H2	
	82.0255.03	???	Tür, doppelt, 340, links	Door, couple, 340, left	W1000 1S/2S H2	
14	82.1068.01	???	Tür, doppelt, NHC, 580, rechts	Door, couple, NHC, 580, right	W800 NHC	
	82.1068.03	???	Tür, doppelt, NHC, 680, rechts	Door, couple, NHC, 680, right	W1000 NHC	
	82.0255.02	???	Tür, doppelt, 290, rechts	Door, couple, 290, right	W800 2S H2	
	82.0255.04	???	Tür, doppelt, 340, rechts	Door, couple, 340, right	W1000 2S H2	





11	Alias	Code	Bezeichnung	Description	Ref.	Valid from Serial N°
1	72.6609	OT2542	Halter Heizung hinten	Heating element support backside	all types	
2	1 701 1102	OG6411	Niete 4x7,3	Rivet 4x7,3	all types	
3	72.6610	OT2543	Halter Heizung mittig	Heating element support middle	all types	
4	72.6613	OT2544	Halter heizung vorn	Heating element support frontside	all types	
5	72.5054.03	OKI360	Heizung 2.5kW 400V	Heating element 2.5kW 400V	all Standard	
	72.5054.05	OG2987	Heizung 2.5kW 440V	Heating element 2.5kW 440V	all Marine	
6	1 115 1281	OK4567	Isolierschlauch Ø14	Insulation tube Ø14	all types	
7	82.1157.03	*	Deckel Ofenverkleidung D800	Lid oven cover D800	D800	
	82.1157.01	*	Deckel Ofenverkleidung D850	Lid oven cover D850	D850	
	82.1157.02	*	Deckel Ofenverkleidung D900	Lid oven cover D900	D900	
8	82.1156.03	*	Unterteil Ofenverkleidung 1S/D800	Bottom oven cover 1S/D800	1-side/D800	
	82.1156.01	*	Unterteil Ofenverkleidung 1S/D850	Bottom oven cover 1S/D850	1-side/D850	
	82.1156.02	*	Unterteil Ofenverkleidung 1S/D900	Bottom oven cover 1S/D900	1-side/D900	
	82.1160.03	*	Unterteil Ofenverkleidung 2S/D800	Bottom oven cover 2S/D800	2-sides/D800	
	82.1160.02	*	Unterteil Ofenverkleidung 2S/D900	Bottom oven cover 2S/D900	2-sides/D900	
9	72.0807	OK4265	Isolation	Insulation	all types	
10	72.9794	*	Mantel Elektrobackofen	Mantle electric oven	all types	
11	1 701 2509	OK4598	Sechskantschraube M5x12	Hex bolt M5x12	all types	
12	1 701 5004	OH9734	Federring M5	Spring washer M5	all types	
13	719 040166	OG3052	Heizkörperscheibe	Disc	all types	
14	82.2520	???	STB Halter	Safety thermostat support	all types	
15	719 040247	OK8882	Fühlerhalter	Sensor support	all types	
16	712 044120.06	OG3997	Keps-Mutter M6	Keps nut M6	all types	
17	72.0744	OK4263	Isolationsbefestigung	Insulation fixation	all types	
18	712 044120.06	OG3997	Keps-Mutter M6	Keps nut M6	all types	
19	83.3048	*	Abdeckprofil oben	Cover profile	all types	
20	82.2309	*	Klemmblech oben	Clamp sheet top	all types	
21	72.9822.02	*	Klemmblech links/rechts	Clamp sheet left/right	all types	
22	712 044120.06	OG3997	Keps-Mutter M6	Keps nut M6	all types	
23	83.3044	*	Frontrahmen Backofen	Frontal frame oven	all types	
24	GR40 186.1	OG3575	Flachkopfschraube M6x15	Flat head screw M6x15	all types	
25	83.3047	*	Abdeckprofil unten	Cover profile bottom	all types	
26	719 040244	OK5604	Arretierung Rostführung	Locking for grill rail	all types	
27	62.6197	OG6435	Rostführung Backofen 2/IGN	Grill rail 2/IGN	all types	
28	1 110 1300	???	Grillrost 2/IGN	Grill 2/IGN	all types	
29	719 830045	OK8889	Einlegeplatte	Bottom plate	all types	
30	83.3450	OG6666	Backofentür komplett	Oven door complete	all types	
31	82.6500	???	Handgriff Backofen	oven handle	all types	
32	82.7352	O93923	Schraube M5x12	Screw M5x12	all types	
33	82.7355	OC7119	Schraube M5x12	Screw M5x12	all types	



12	Alias	Code	Bezeichnung	Description	Ref.	Valid from Serial N°
1	1 115 1416	OK5059	Querstromlüfter	Cross flow blower	all types	
2	82.5201.008	*	Luftkanal Ofen 800x800	Air channel oven 800x800	D800	
	82.5202.008	*	Luftkanal Ofen 800x850	Air channel oven 800x850	D850	
	82.5203.010	*	Luftkanal Ofen 1000x900	Air channel oven 1000x900	D900	
3	82.1184	*	Kanalverlängerung vorn	Channel extension frontside	all types	
4	82.3040.01	*	Schiene Spatabox D800	Guide track D800	D800	
	82.3040.02	*	Schiene Spatabox D850	Guide track D850	D850	
	82.3040.03	*	Schiene Spatabox D900	Guide track D900	D900	
5	1 701 2503	OG5490	Sechskantschraube M4x8	Hex bolt M4x8	all types	
6	712 044120.04	OG4918	Kep-Mutter M4	Keps nut M4	all types	
7	82.6504.03	*	Aufhängung Schublade D800	Drawer guide D800	all D800	
	82.6504.04	*	Aufhängung Schublade D850	Drawer guide D850	all D850	
	82.6504.05	*	Aufhängung Schublade D900	Drawer guide D900	all D900	
8	1 701 2579	OG4020	Sechskantschraube M5x16	Hex bolt M5x16	all types	
9	1 701 7002	OG2923	Fächerscheibe M5	Fan washer M5	all types	
10	82.1140.08	*	Anschlussdeckel H66/L800	Bottom front panel H66/L800	H700/D800 no C-Board	
	82.1140.28	*	Anschlussdeckel H166/L800	Bottom front panel H166/L800	H800/D800 no C-Board	
	82.1140.10	*	Anschlussdeckel H66/L1000	Bottom front panel H66/L1000	H700/D900 no C-Board	
	82.1140.30	*	Anschlussdeckel H166/L1000	Bottom front panel H166/L1000	H800/D900 no C-Board	
11a	82.1046.11	*	Ofenblende 76mm links	Oven panel 76mm links	D800/850	
	82.1046.01	*	Ofenblende 201mm links	Oven panel 201mm links	D900	
	82.1046.09	*	Ofenblende 126mm links	Oven panel 126mm links	all 2-Sides	
11b	82.1046.02	*	Ofenblende 76 rechts	Oven panel 76 rechts	2-Sides/D800	
	82.1046.12	*	Ofenblende 201 rechts	Oven panel 201 rechts	2-Sides/D900	
12	82.1102.07	*	Rückwand 800x700	Back panel 800x700	a c /no C-Board	
	82.1102.27	*	Rückwand 800x800	Back panel 800x800	e g /no C-Board	
	82.1102.09	*	Rückwand 1000x700	Back panel 1000x700	k m s u /no C-Board	
	82.1102.29	*	Rückwand 1000x800	Back panel 1000x800	o q /no C-Board	
13	82.1007.07	*	Rückwand C-Board 800x700	Back panel C-Board 800x700	a c i j /C-Board	
	82.1007.27	*	Rückwand C-Board 800x800	Back panel C-Board 800x800	e g /C-Board	
	82.1007.09	*	Rückwand C-Board 1000x700	Back panel C-Board 1000x700	k m /C-Board	
	82.1007.29	*	Rückwand C-Board 1000x800	Back panel C-Board 1000x800	o q /C-Board	
14	82.7467	OC7307	Dichtung 5mm	Sealing sides 5mm	H700/800	51010000
15	82.7334	OG6396	Dichtung Geräte seitwärts (NM)	Side-sealing strip	H700/800	
16	83.3728	OG6886	Stellfuß 2" Marine 145-252mm	Adjustable feet 2" Marine 145-252mm	H700 Marine	
17	86.0001	OG5391	Stellfuß 2" 145-252mm rund	Adjustable feet 2" 145-252mm, round	H700	
18	86.2385	OG6140	Stellfuß 2" 100mm	Adjustable feet 2" 100mm	H800	
19	1 701 5051	OG6753	Fächerscheibe M6	Fan washer M6	H700/800	
20	1 701 2600	OKT919	Sechskantschraube M6x12	Hex bolt M6x12	H700/800	
21	82.0113.01	???	Leitblech H700 links	Aeration sheet left H700	H700	
	82.0113.11	???	Leitblech H800 links	Aeration sheet left H800	H800	
22	82.0113.02	???	Leitblech H700 rechts	Aeration sheet right H700	H700	
	82.0113.12	???	Leitblech H800 rechts	Aeration sheet right H800	H800	
23	1 701 7002	OG2923	Fächerscheibe M5	Fan washer M5	H700/800	
24	1 701 2579	OG4020	Sechskantschraube M5x16	Hex bolt M5x16	H700/800	
25	82.1178.08	???	Anschlussdeckel (Lüftung) H66/L800	Bottom front panel (aeration) H66/L800	H700/D800	
	82.1178.28	???	Anschlussdeckel (Lüftung) H166/L800	Bottom front panel (aeration) H166/L800	H800/D800	
	82.1178.10	OG6681	Anschlussdeckel (Lüftung) H66/L1000	Bottom front panel (aeration) H66/L1000	H700/D900	
	82.1178.30	???	Anschlussdeckel (Lüftung) H166/L1000	Bottom front panel (aeration) H166/L1000	H800/D900	
26	82.3029	OG7057	Halblech	Metal support	all Marine	
27	82.9209	006710	Autotransformer 0-240-400-440V-150VA	Autotransformer 0-240-400-440V-150VA	all Marine	
28	1 701 3502	OG3595	Unterlegscheibe M4	Washer M4	all Marine	
29	1 701 7060	???	Fächerscheibe M4	Fan washer M4	all Marine	
30	1 701 2629	OG5854	Sechskantschraube M4x12	Hex bolt M4x12	all Marine	
31	82.9053	004269	Sicherheitsthermostat 360°C-25K	Safety thermostat 360°C-25K	all types	
32	82.9120	OG6318	Schalter off - lin 3/4 + Regler 280°C	Switch off - lin 3/4 + control 280°C	all types	
33	82.6524	???	Montagewinkel	Mounting angle	all types	
34	82.2665	???	Zwischenblech	Spacer plate	all types	
35	72.5938.03	OKI361	Anzeigelampe klar	Indicator light, clear	all types	
36	82.1120.04	*	Reglerblende Ofen 126mm (°C)	Control panel oven 126mm (°C)	D800/850	
	82.1120.03	*	Reglerblende Ofen 201mm (°C)	Control panel oven 201mm (°C)	D900	
37	72.5938.07	OKI363	Einsteckfassung klar Ø10mm	Lamp holder, clear, Ø10mm	all types	
38	82.7009	OG6247	Dichtung Drehgriff	Sealing for handle	all types	
39	82.9124.01	OG6369	Drehgriff mit Adapter 0°x6.0	Handle with adapter 0°x6.0	all types	
	82.9203	OG6950	Kabelbaum: Ofen 1-seitig Marine	Wiring harness: oven 1-side Marine	all Marine	
	82.9104	???	Kabel: X0 - Schalter - 5+6 (Ofen)	Cable: X0 - switch - 5+6 (oven)	all types	
	82.9071.01	???	Kabel: Schalter R5-STB1-E5 H5 (Ofen)	Cable: switch R5-STB1-E5 H5 (oven)	all types	
	82.9071.02	???	Kabel: Schalter R6-STB2-E6 H6 (Ofen)	Cable: switch R6-STB2-E6 H6 (oven)	all types	
	82.9132.01	???	Kabel: Ofen - Querstromlüfter groß	Cable: oven - cross flow blower large	all types	