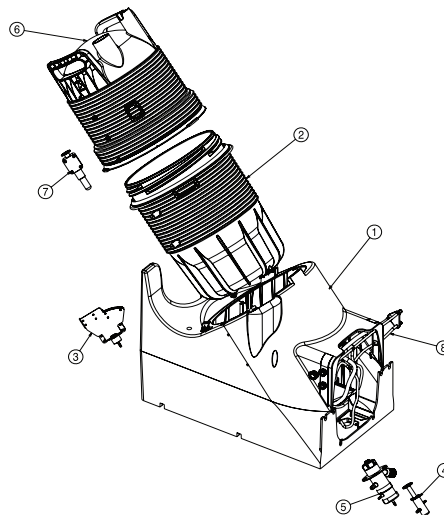


**HORIZ. REFRIGERATOR  
 REFRIGERATORI ORIZZONTALI**

# MODULAR 20

Code	Ref	Page	Description	Eng.Ch.
727578	a	2,3,4	Modular 20	00-03
727580	b	2,3,4	Modular 20 with cooling Jacket	00-03
727484	a	2,3,4	Modular 20	
727071	a	2,3,4	Modular 20	
727073	a	2,3,4	Modular 20	


**Index**

Cylinder support assembly/ Ass. Supporto cilindro	1
Cylinder assembly/ Ass. Cilindro	2-6
Three.way valve assembly/ Ass. Valvola tre vie	3
Keg detection Mechanism/ Ass. Presenza keg	4
Keg coupler/Ass. Rubinetto birra	5
Cylinder stopper device/ Ass. Fermo per cilindro	6
Connection assembly/ Ass. Connessioni	7
Cooling Jacket/copertura di raffreddamento	8

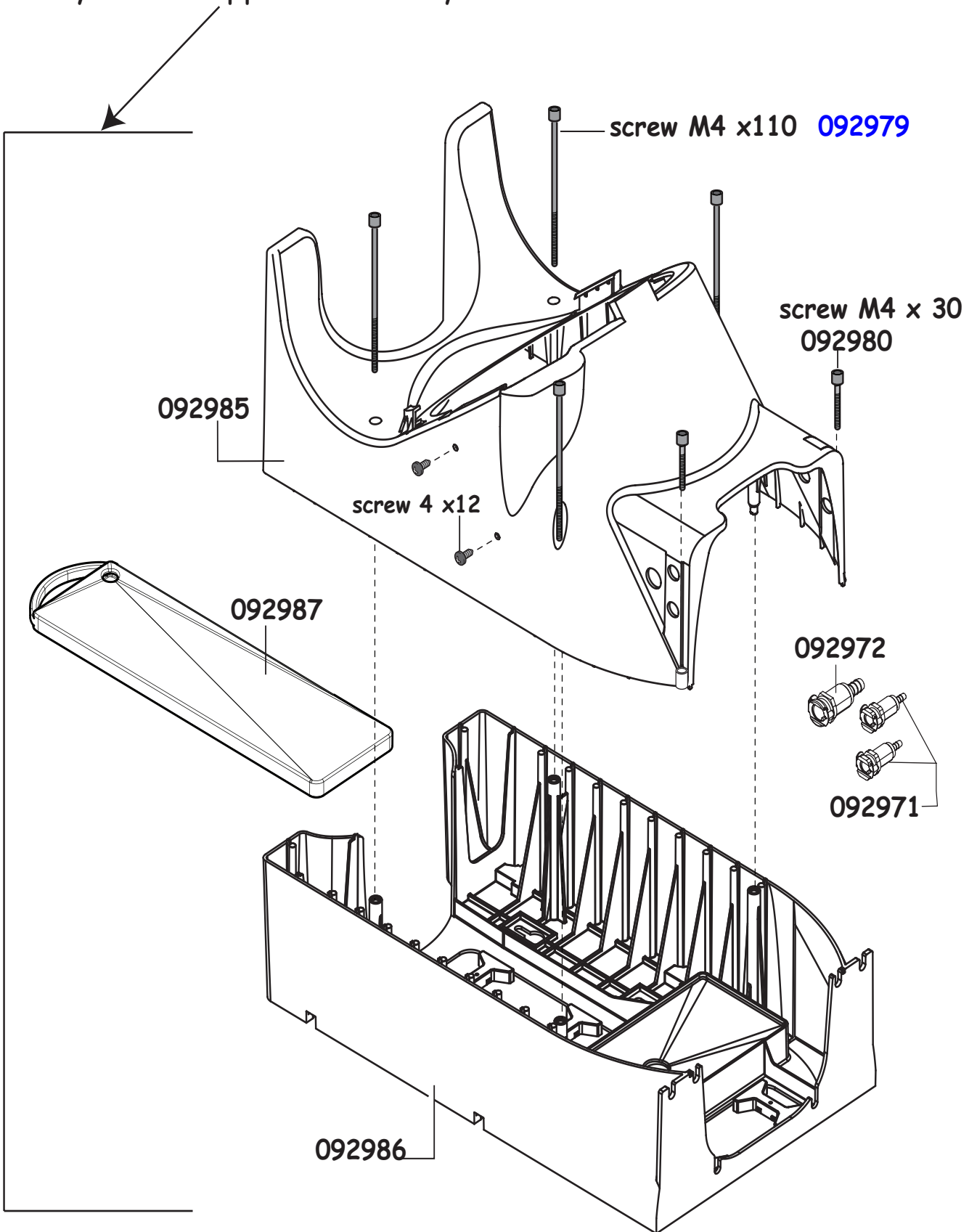
**Page ref .N°**

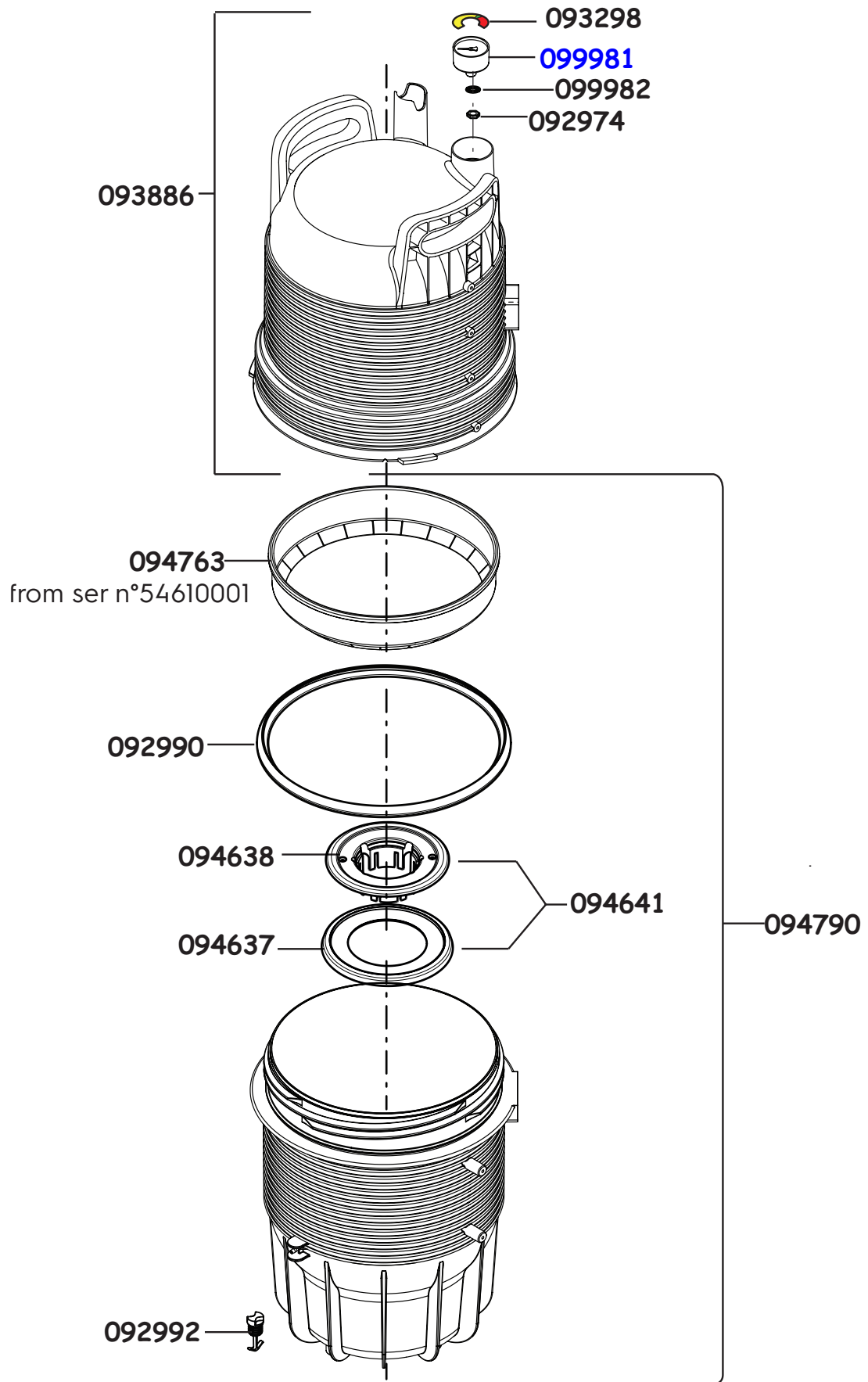
2	1
3	2-6
4	3
5	4
6	6
7	7
8	8
9	

Bold= last change/Grassetto =ultima modifica

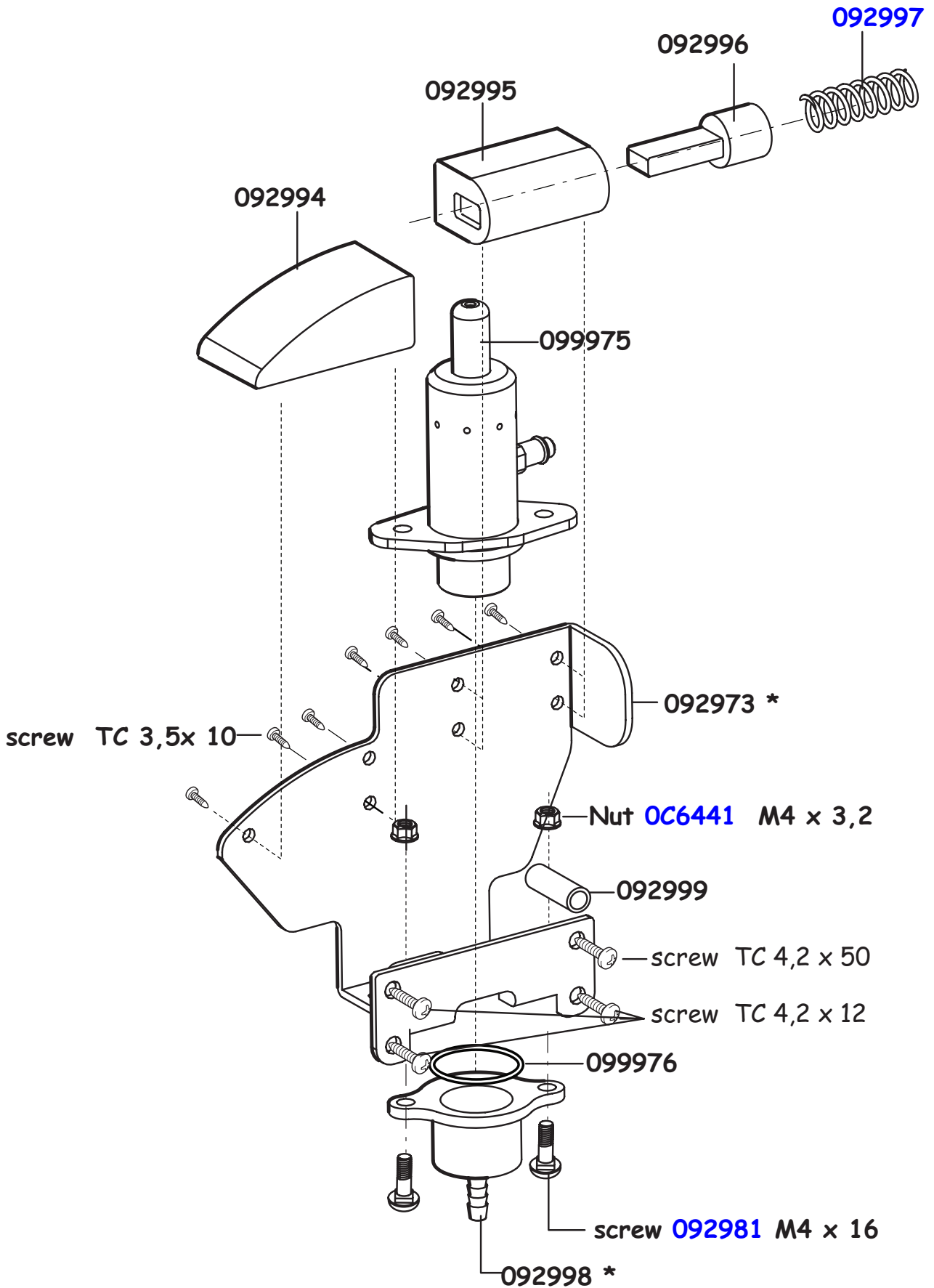
Rev.14 12 2015

Cylinder Support Assembly code = 092984





Assembled part = **092993**

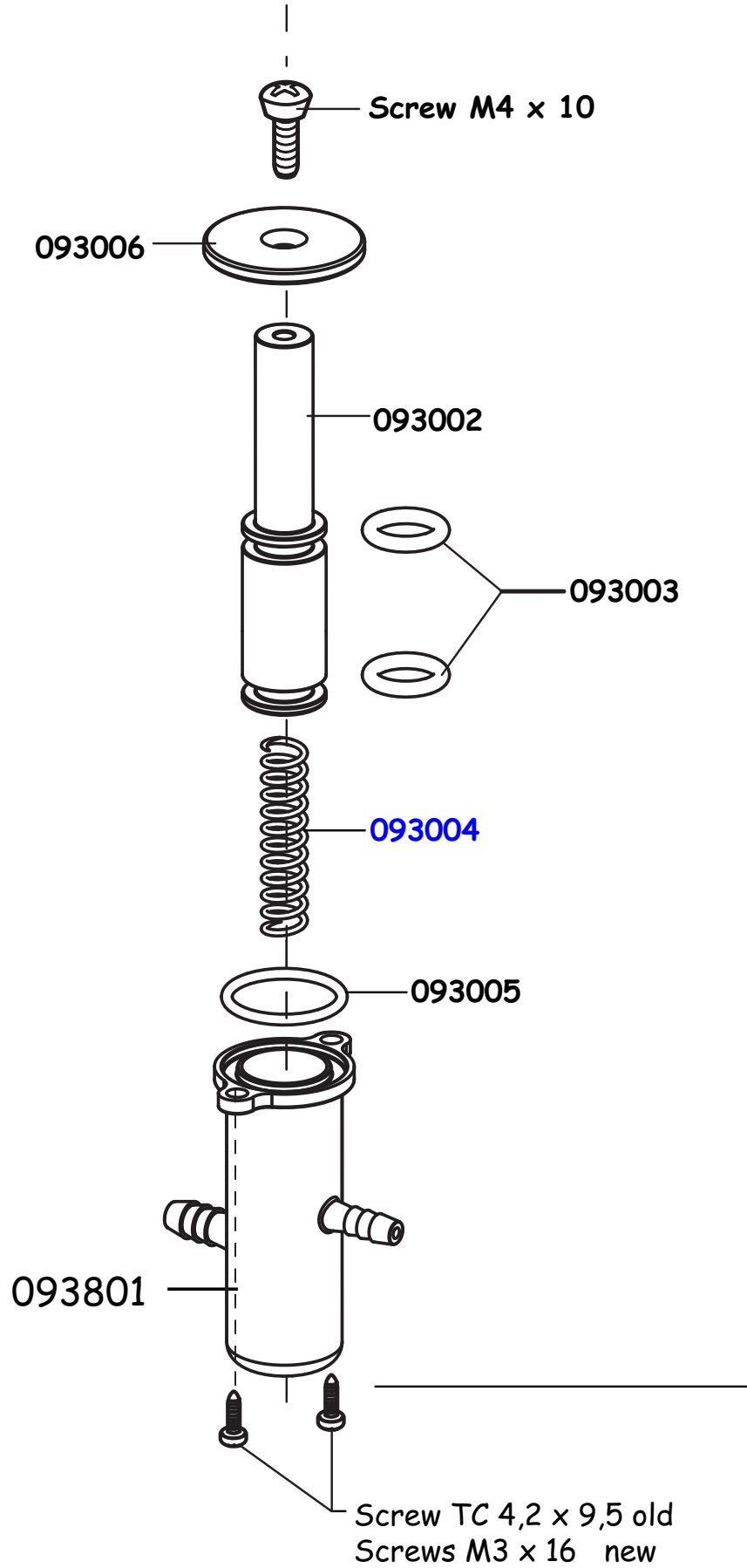


\*= only reference pnc (a) order all kit **092993**

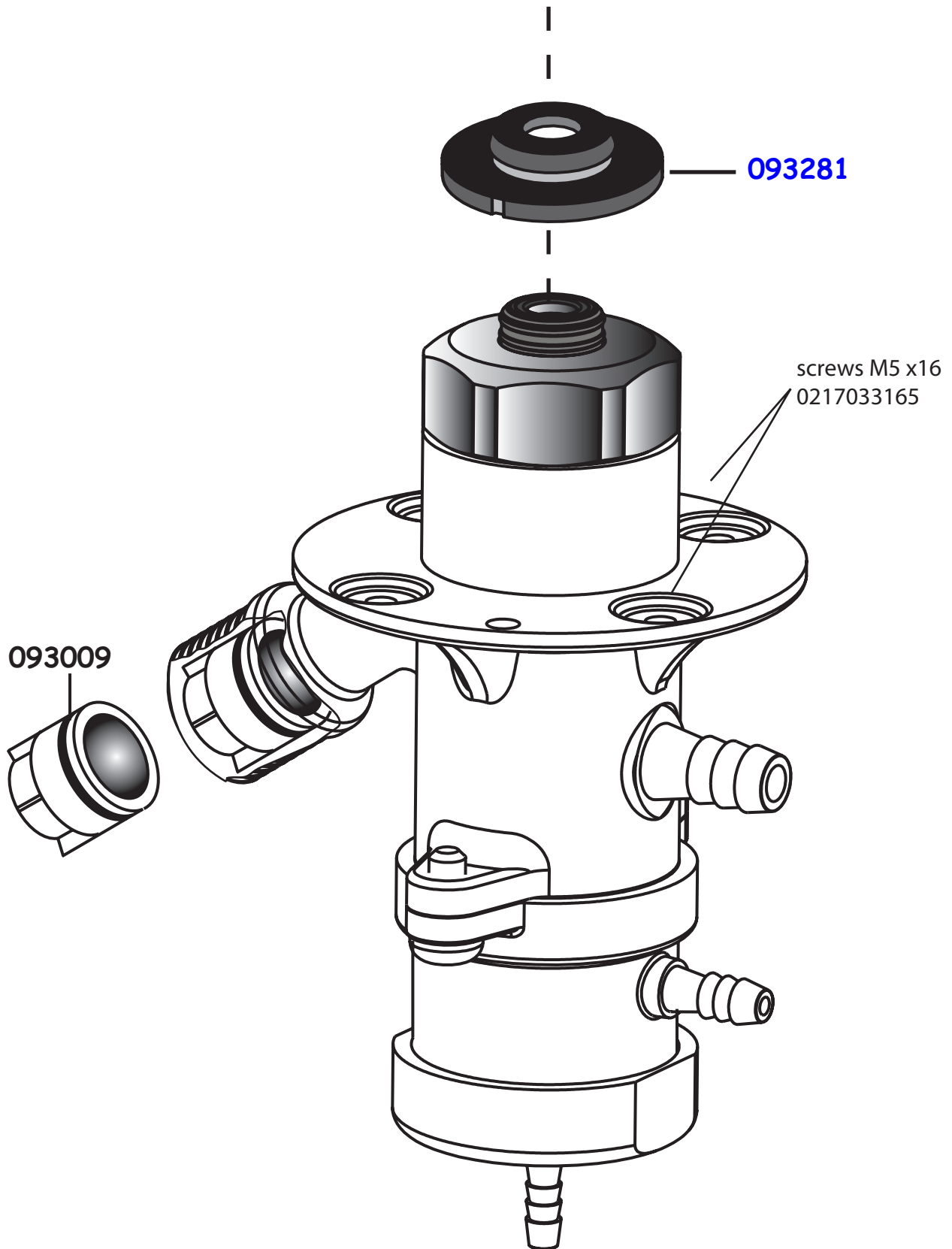
\*= solo per il codice con referenza (a) ordinare il kit completo codice **092993**

Illustr:531601\_p4

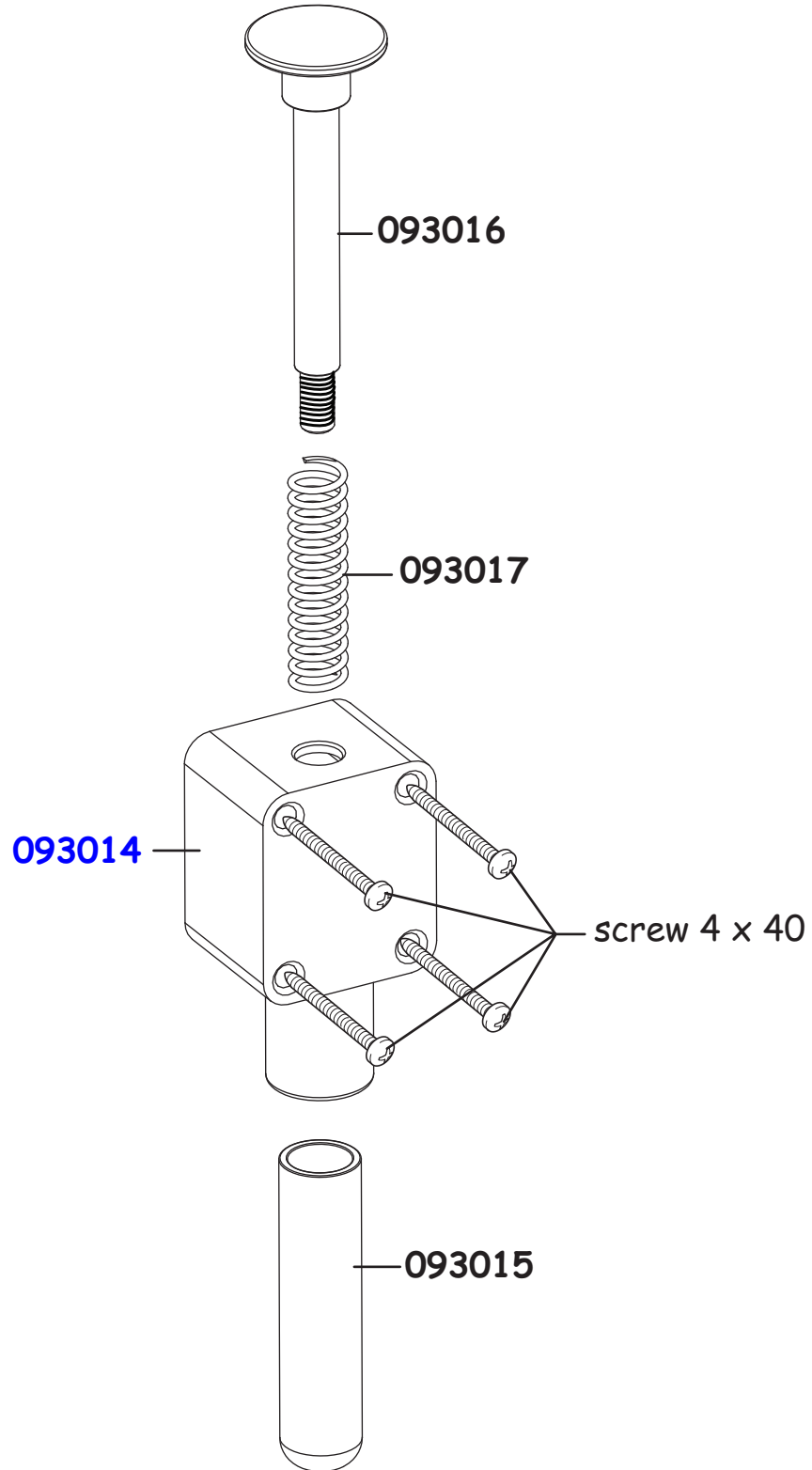
assembled part with grease = **093802**

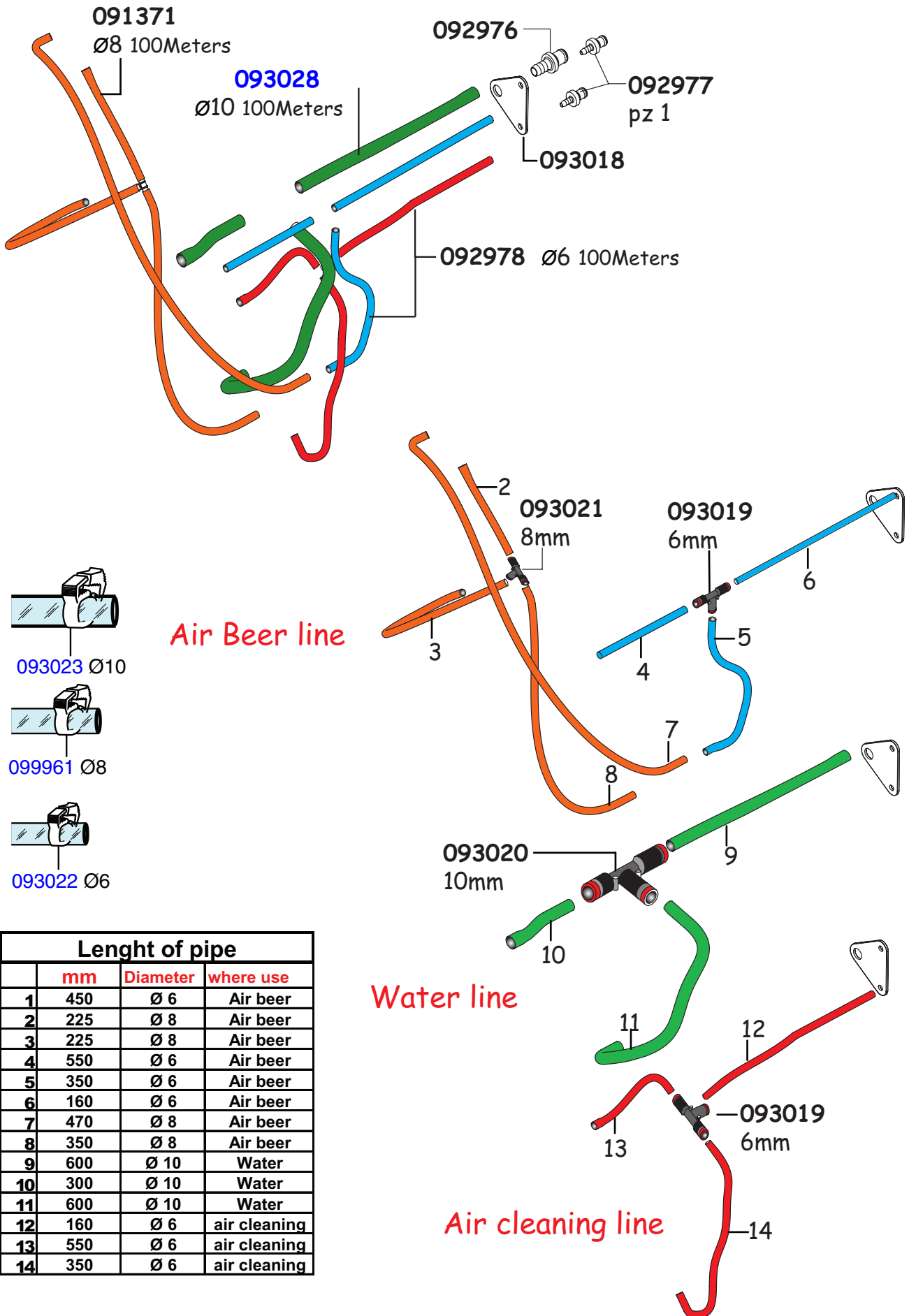


# KEG COUPLER Assembly code = 093007



**Assembled part= 092975**





# COOLING JACKET Assembly code = 832R08901

