

**DE**  
**EN**
**PBOT-S/T/Q**  
**PBOT-S/T/Q**
**KIPPKOCHKESSEL, DAMPFBEHEIZT, RUND**  
**TILTING BOILING PAN, STEAM HEATED, ROUND**

| Page | Baugruppe               | Assembly group               | Models     |
|------|-------------------------|------------------------------|------------|
| 2    | Kessel                  | Kettle                       | PBOT-S/T/Q |
| 4    | Magnetschalter          | Solenoid swith               | PBOT-Q     |
| 5    | Auslaufhahn             | Drain valve                  | PBOT-S/T/Q |
| 6    | Deckel                  | Lid                          | PBOT-S/T/Q |
| 8    | Rührwerk                | Stirring system              | PBOT-Q     |
| 10   | Achse                   | Shaft                        | PBOT-S/T/Q |
| 12   | Schalterfront Steuerung | Switch panel control system  | PBOT-S/T/Q |
| 14   | Schalterfront Kippung   | Switch panel tilting system  | PBOT-S/Q   |
| 15   | Kippung                 | Tilting system               | PBOT-S/T/Q |
| 16   | Mischbatterie           | Mixer tap                    | PBOT-S/T/Q |
| 18   | Spray Gun               | Spray gun                    | PBOT-S/T/Q |
| 20   | Kessel dampfbeheizt     | Kettle steam heated          | PBOT-S/T/Q |
| 22   | Dampfleitung            | Steam pipe                   | PBOT-S/T/Q |
| 24   | Kondensatleitung        | Condensate pipe              | PBOT-S/T/Q |
| 26   | Steuerung               | Control system               | PBOT-S/Q   |
| 28   | Steuerung Kippmotor     | Control system tilting motor | PBOT-S/T/Q |
| 29   | Füsse                   | Feet                         | PBOT-S/T/Q |

Valid from Ser. № 3401....

**Last Updates**

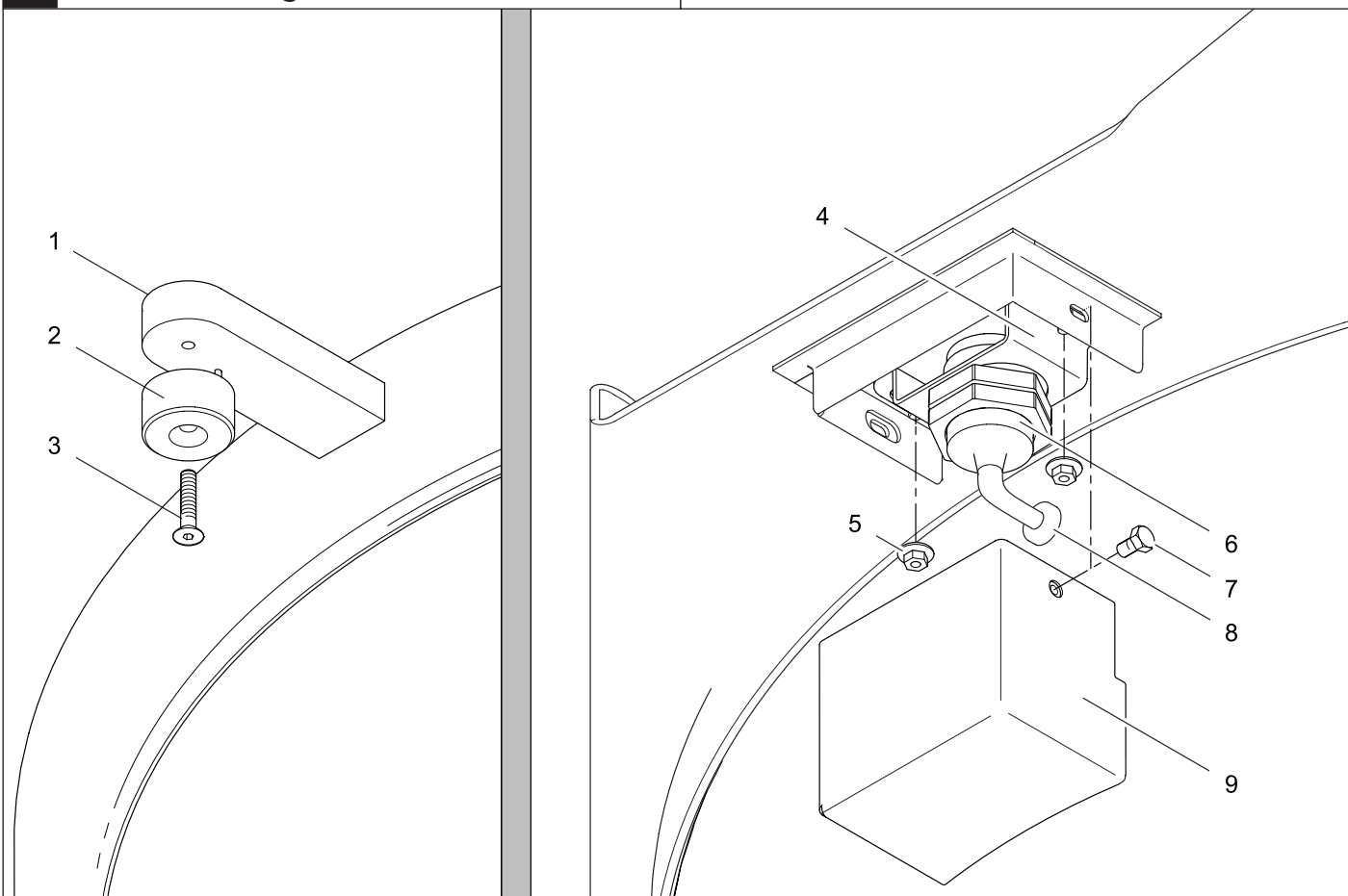
 Ed. 01/2015  
 Ed. 02/2015

**Page**

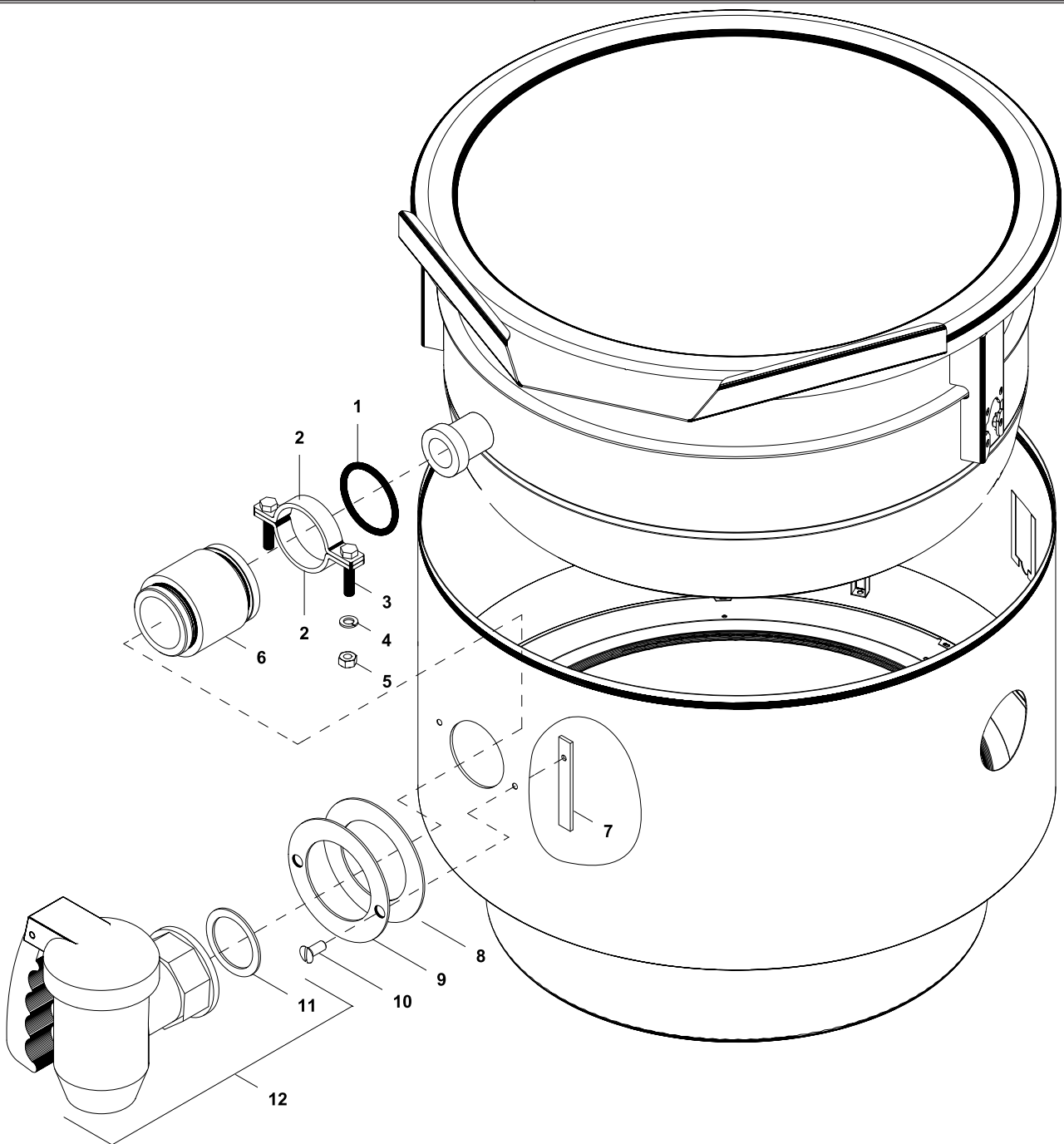
 all  
 15, 28





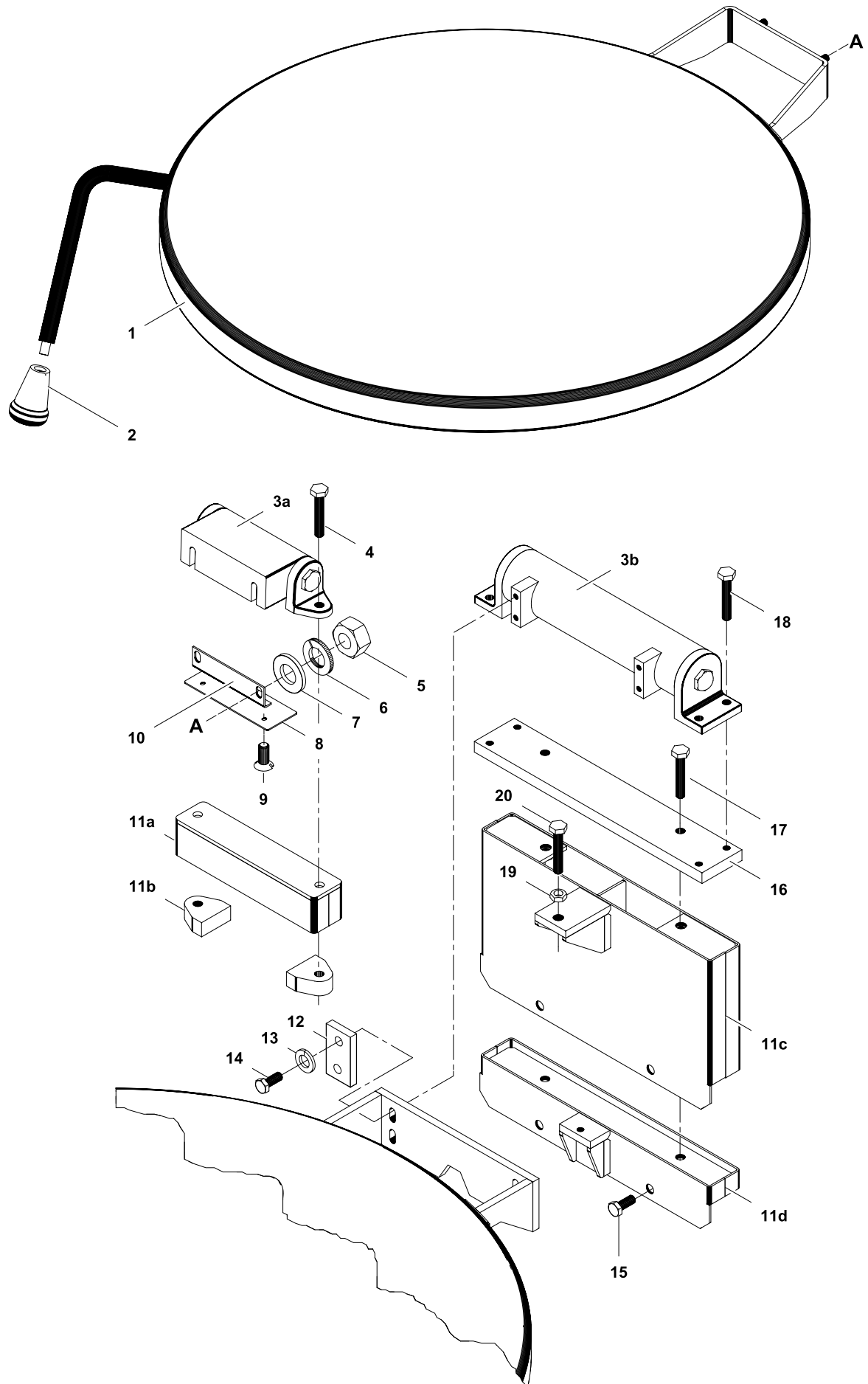


| 2 | Alias         | Code   | Bezeichnung                | Description            | Ref.    | Valid from Serial N° |
|---|---------------|--------|----------------------------|------------------------|---------|----------------------|
| 1 | 76.4171.11    | *      | Deckel RW 60L              | Lid Stirrer 60L        | PBOT06Q |                      |
|   | 76.4171.13    | *      | Deckel RW 100L             | Lid Stirrer 100L       | PBOT10Q |                      |
|   | 76.4171.14    | *      | Deckel RW 150L             | Lid Stirrer 150L       | PBOT15Q |                      |
|   | 76.4176.11    | *      | Deckel RW 200L             | Lid Stirrer 200L       | PBOT20Q |                      |
|   | 76.4176.12    | *      | Deckel RW 300L             | Lid Stirrer 300L       | PBOT30Q |                      |
|   | 76.4176.13    | *      | Deckel RW 400L             | Lid Stirrer 400L       | PBOT40Q |                      |
| 2 | 76.9345.02    | OU0179 | Magneteinsatz              | Magnet insert          | PBOT-Q  |                      |
| 3 | 1 701 1072    | OG6833 | Senkschraube M5x25         | Countersunk bolt       | PBOT-Q  |                      |
| 4 | 76.4597       | *      | Halter Sicherheitsschalter | Support safety switch  | PBOT-Q  |                      |
| 5 | 712 044120.04 | OG4918 | Kepsmutter M4              | Hex nut M4             | PBOT-Q  |                      |
| 6 | 76.9345.01    | OU0178 | Magnetschutzschalter       | Solenoid switch        | PBOT-Q  |                      |
| 7 | 1 701 2503    | OG5490 | Sechskantscharube M4x8     | Hex bolt M4x8          | PBOT-Q  |                      |
| 8 | 1 103 1594    | OG3780 | Kabeltülle Ø10/Ø6x12       | Cable sleeve Ø10/Ø6x12 | PBOT-Q  |                      |
| 9 | 76.4600       | *      | Abdeckung                  | Cover                  | PBOT-Q  |                      |
|   | 76.4601       | *      | Abdeckung                  | Cover                  | PBOT-Q  |                      |

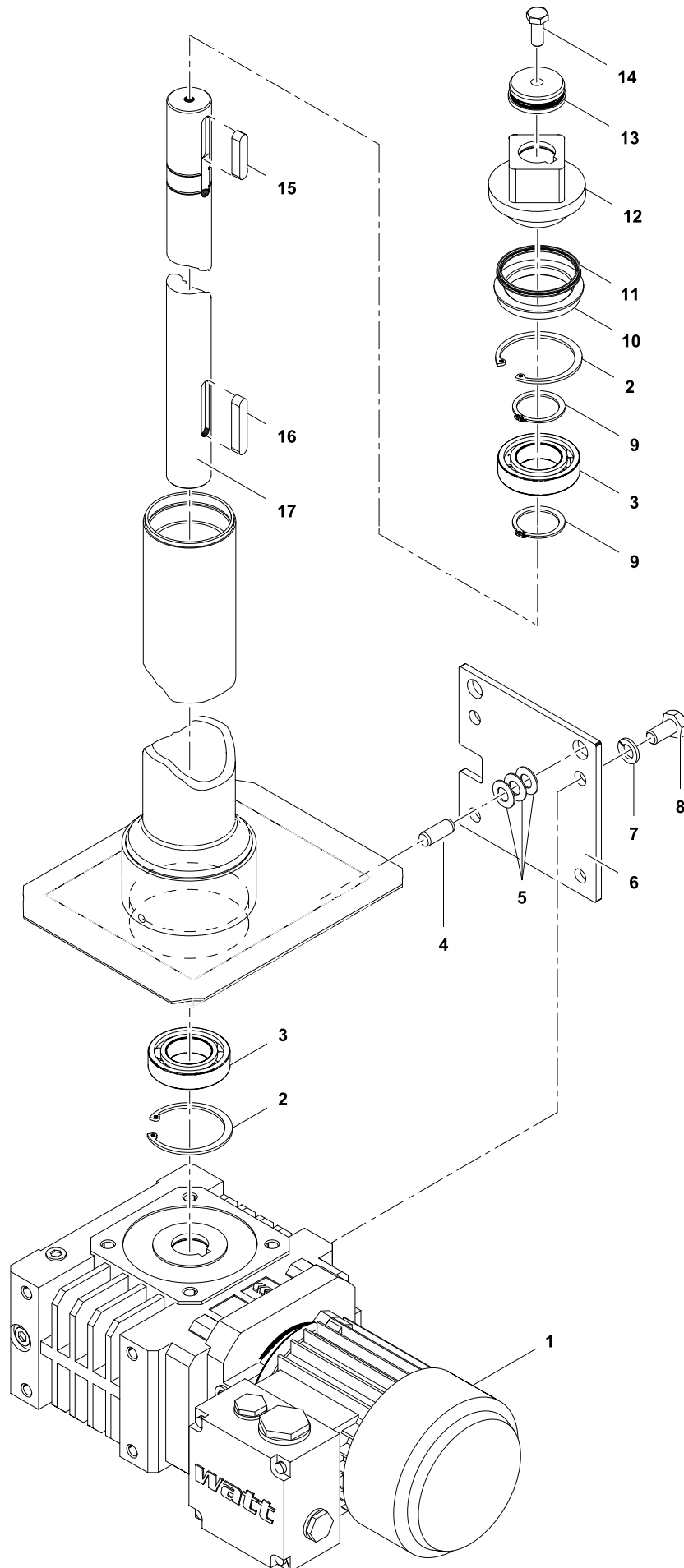


| 3  | Alias         | Code   | Bezeichnung                            | Description                               | Ref. | Valid from Serial N° |
|----|---------------|--------|--|---|------|----------------------|
| 1  | 713 042130    | OK5557 | Dichtungsring                          | Sealing ring                              |      |                      |
| 2  | 713 842019    | OG3855 | Klammer mit Schrauben (1/2 Klammer)    | Bride with screws (1/2 bride)             |      |                      |
| 3  | 713 842019.96 | OG6837 | Klammer (1/2 Klammer)                  | Bride (1/2 bride)                         |      |                      |
| 4  | 1 701 5008    | OKL250 | Federring M8                           | Spring washer M8                          |      |                      |
| 5  | 1 701 3044    | OK4612 | Sechskantmutter M8                     | Hex nut M8                                |      |                      |
| 6  | 76.3194       | OG2540 | Kupplungsstutzen 2" RUBINETTERIE       | Female connector 2" RUBINETTERIE          |      |                      |
|    | 713 042131    | OK8856 | Kupplungsstutzen 2" ECHTERMANN         | Female connector 2" ECHTERMANN            |      |                      |
| 7  | 71.1235       | OG4166 | Gewindeplatte M4                       | Threaded plate M4                         |      |                      |
| 8  | 71.1234       | OG3175 | Flachdichtung Ø110/72/2                | Flat seal Ø110/72/2                       |      |                      |
| 9  | 71.1233       | OG4167 | Hahnrosette                            | Round anchor plate                        |      |                      |
| 10 | 1 701 1504    | OKX205 | Schraube M4x8                          | Screw M4x8                                |      |                      |
| 11 | 1 101 2191    | 004986 | Dichtungsring Ø60 ø47 x 2              | Sealing ring Ø60 ø47 x 2                  |      |                      |
| 12 | 1 117 1258    | OG5144 | Sicherheitsauslaufhahn 2" RUBINETTERIE | Drain cock 2" + safety valve RUBINETTERIE |      |                      |
|    | 1 117 1117    | OH6425 | Auslaufhahn ECHTERMANN 6722.80 2"      | Drain cock ECHTERMANN 6722.80 2"          |      |                      |
|    | 87.7055       | OG6498 | Auslaufhahn ECHTERMANN 6726.82 2"      | Drain cock ECHTERMANN 6726.82 2"          |      |                      |

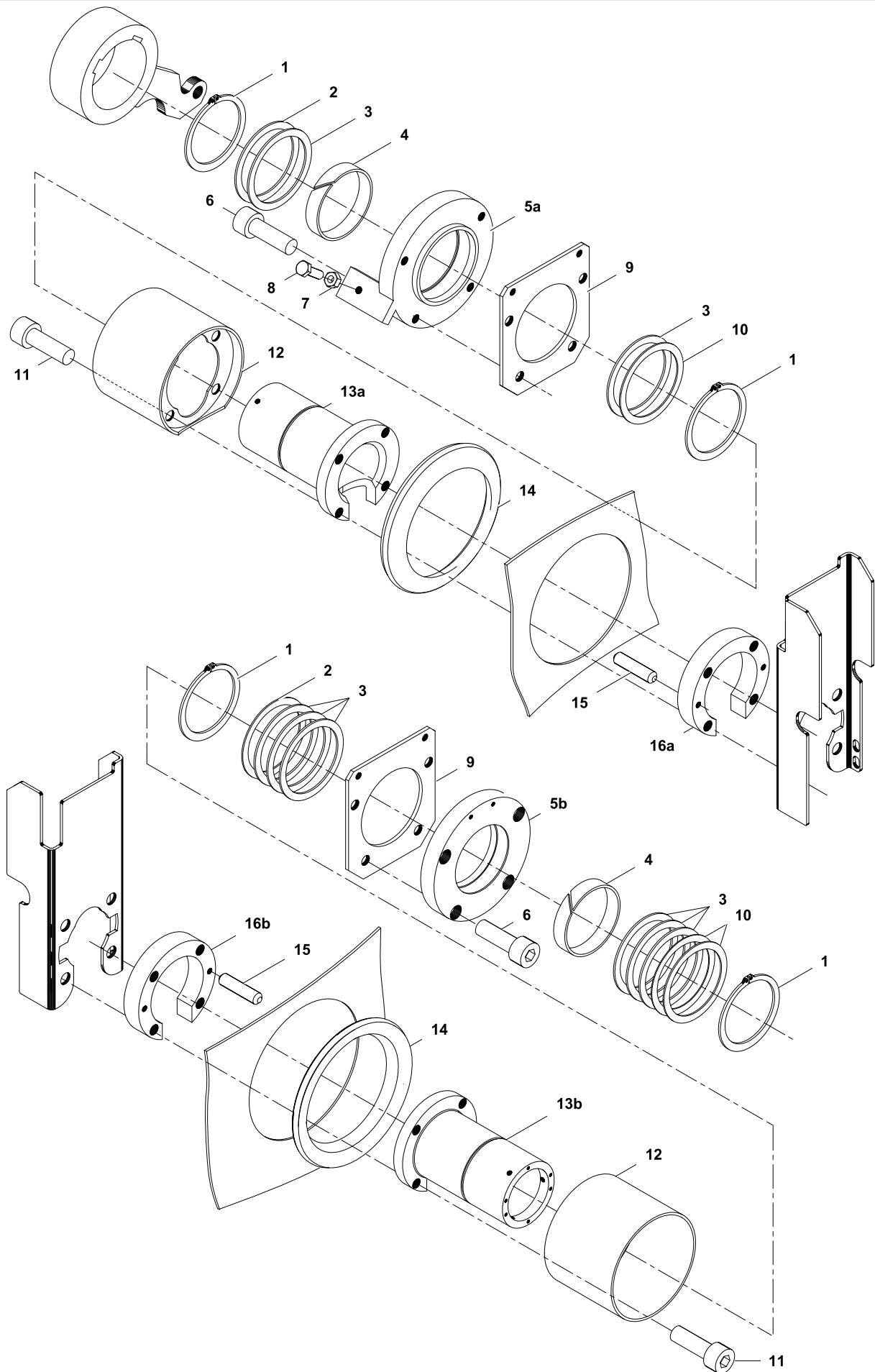
\* Components on demand  
\* Teile auf Anfrage



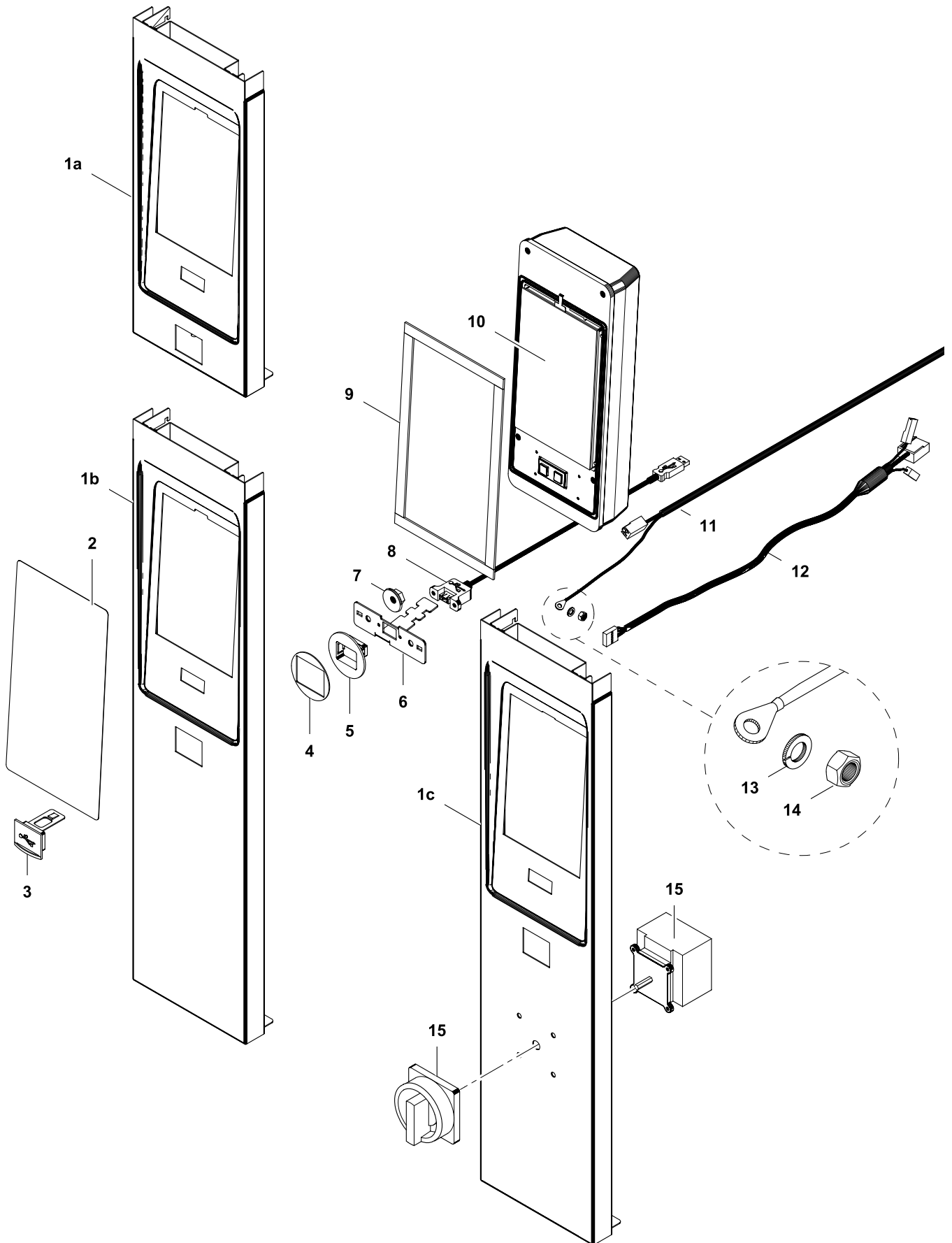
| 4   | Alias      | Code   | Bezeichnung                      | Description                         | Ref.           | Valid from Serial N° |
|-----|------------|--------|----------------------------------|-------------------------------------|----------------|----------------------|
| 1   | 76.4171.01 | OG5737 | Deckel 60L                       | Lid 60L                             | PBOT06S/T      |                      |
|     | 76.4171.03 | OG3054 | Deckel 100L                      | Lid 100L                            | PBOT10S/T      |                      |
|     | 76.4171.04 | *      | Deckel 150L                      | Lid 150L                            | PBOT15S/T      |                      |
|     | 76.4176.01 | OKV478 | Deckel 200L                      | Lid 200L                            | PBOT20S/T      |                      |
|     | 76.4176.02 | OG3781 | Deckel 300L                      | Lid 300L                            | PBOT30S/T      |                      |
|     | 76.4176.03 | OKX130 | Deckel 400L                      | Lid 400L                            | PBOT40S/T      |                      |
|     | 76.4171.11 | *      | Deckel RW 60L                    | Lid Stirrer 60L                     | PBOT06Q        |                      |
|     | 76.4171.13 | *      | Deckel RW 100L                   | Lid Stirrer 100L                    | PBOT10Q        |                      |
|     | 76.4171.14 | *      | Deckel RW 150L                   | Lid Stirrer 150L                    | PBOT15Q        |                      |
|     | 76.4176.11 | *      | Deckel RW 200L                   | Lid Stirrer 200L                    | PBOT20Q        |                      |
|     | 76.4176.12 | *      | Deckel RW 300L                   | Lid Stirrer 300L                    | PBOT30Q        |                      |
|     | 76.4176.13 | *      | Deckel RW 400L                   | Lid Stirrer 400L                    | PBOT40Q        |                      |
| 2   | 86.3253    | OG6631 | Griff Deckel                     | Handle lid                          |                |                      |
| 3a  | 70.0750.05 | OK5242 | Drehgelenk                       | Pivot joint                         | 60L            |                      |
|     | 70.0750.06 | OK5244 | Drehgelenk                       | Pivot joint                         | 100L/150L      |                      |
| 3b  | 71.0454.01 | OK5250 | Drehgelenk                       | Pivot joint                         | 200L/300L/400L |                      |
| 4   | 1 701 2545 | OKI475 | Sechskantschraube M10 x 50       | Hex bolt M10 x 50                   | 60L/100L       |                      |
|     | 1 701 2609 | OG6835 | Sechskantschraube M10 x 80       | Hex bolt M10 x 80                   | 150L           |                      |
| 5   | 1 701 3044 | OK4612 | Sechskantmutter M8               | Hex nut M8                          | 60L/100L/150L  |                      |
| 6   | 1 701 5008 | OKL250 | Federring M8                     | Spring washer M8                    | 60L/100L/150L  |                      |
| 7   | 1 701 3513 | OG6088 | Unterlegscheibe 8,4 x 7,0 x 1,6  | Washer 8,4 x 7,0 x 1,6              | 60L/100L/150L  |                      |
| 8   | 70.0765.01 | OKL252 | Abdeckblech Drehgelenk           | Cover plate for pivot joint         | 60L/100L/150L  |                      |
| 9   | 1 701 1541 | OG3674 | Becherschraube M4 x 10           | Slotted bolt M4 x 10                | 60L/100L/150L  |                      |
| 10  | 70.0764    | OKL251 | Winkel zu Drehgelenk             | Angle for pivot joint               | 60L/100L/150L  |                      |
| 11a | 87.2067    | *      | Ständer zu Drehgelenk 150L       | Support for pivot joint 150L        | 150L           |                      |
| 11b | 87.2174    | *      | Unterlage zu Drehgelenk 60L/100L | Base plate for pivot joint 60L/100L | 60L/100L       |                      |
| 11c | 76.2022.02 | *      | Ständer zu Drehgelenk 400L       | Support for pivot joint 400L        | 400L           |                      |
| 11d | 76.2022.01 | *      | Ständer zu Drehgelenk 300L       | Support for pivot joint 300L        | 300L           |                      |
| 12  | 71.0455    | OKL255 | Unterlage                        | Base plate                          | 200L/300L/400L |                      |
| 13  | 1 701 5008 | OKL250 | Federring M8                     | Spring washer M8                    | 200L/300L/400L |                      |
| 14  | 1 701 2570 | OG5820 | Sechskantschraube M8 x 20        | Hex bolt M8 x 20                    | 200L/300L/400L |                      |
| 15  | 1 701 2541 | OK4600 | Sechskantschraube M10 x 25       | Hex bolt M10 x 25                   | 200L/300L/400L |                      |
| 16  | 71.0454.03 | OKL256 | Verbindungsplatte                | Connection plate                    | 200L/300L/400L |                      |
| 17  | 1 701 2543 | OK4601 | Sechskantschraube M10 x 35       | Hex bolt M10 x 35                   | 200L/400L      |                      |
|     | 1 101 8188 | OG6836 | Sechskantschraube M10 x 60       | Hex bolt M10 x 60                   | 300L           |                      |
| 18  | 1 701 2541 | OK4600 | Sechskantschraube M10 x 25       | Hex bolt M10 x 25                   | 200L/300L/400L |                      |
| 19  | 1 701 3062 | OG6837 | Sechskantmutter M12              | Hex nut M12                         | 300L/400L      |                      |
| 20  | 1 701 2549 | OG6849 | Sechskantschraube M12 X 35       | Hex bolt M12 x 35                   | 300L/400L      |                      |



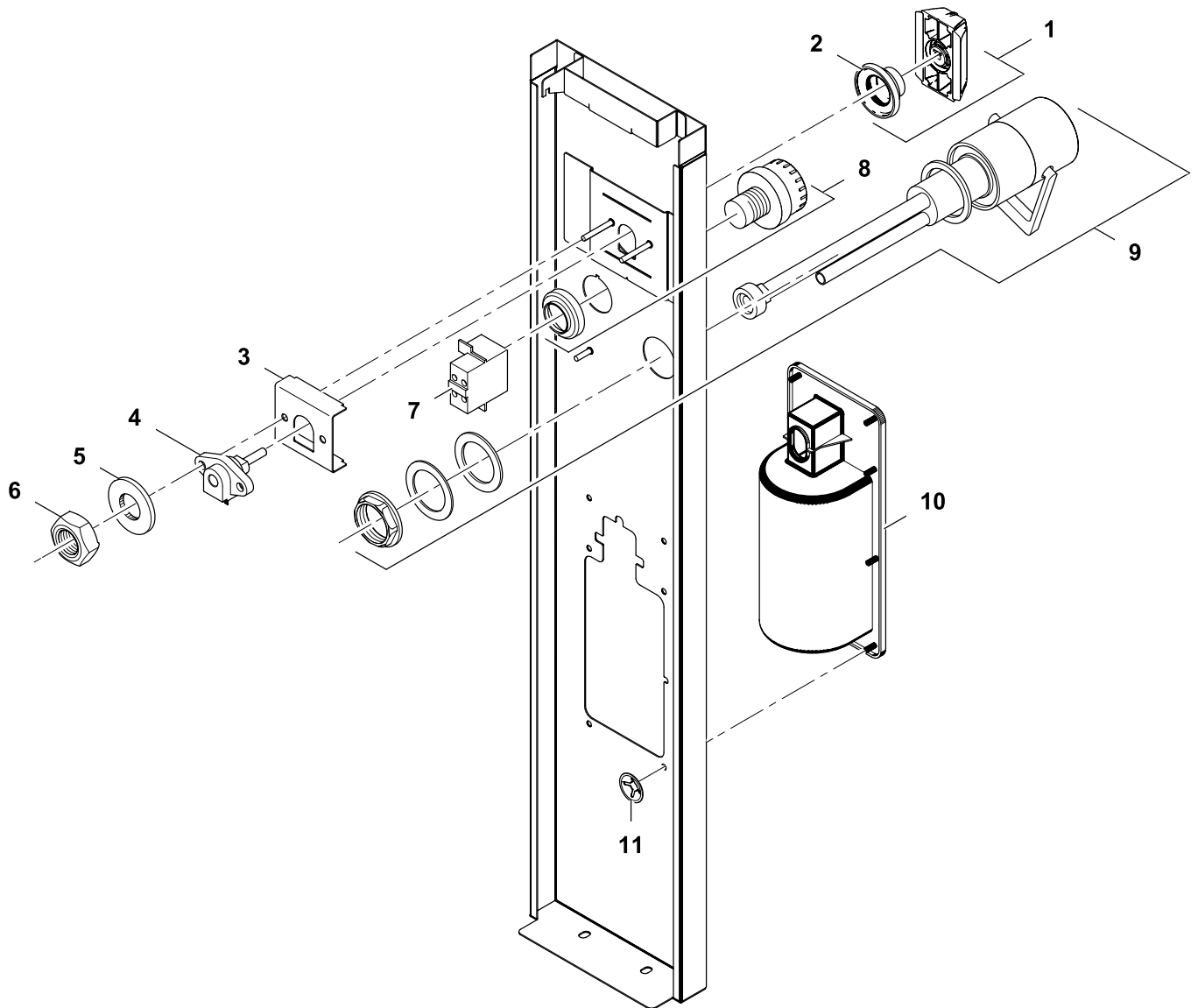
| 5  | Alias      | Code   | Bezeichnung                           | Description                          | Ref.       | Valid from Serial N° |
|----|------------|--------|---------------------------------------|--------------------------------------|------------|----------------------|
| 1  | 76.3046.01 | OG2112 | Getriebemotor P=0.25kW                | Gear motor P=0.25kW                  | PBOT06Q    |                      |
|    | 76.3047.01 | OG2113 | Getriebemotor P=0.37kW                | Gear motor P=0.37kW                  | PBOT10-40Q |                      |
| 2  | 70.0809.03 | OK6217 | Sicherungsring Ø55                    | Circlip ring Ø55                     |            |                      |
| 3  | 70.0808.03 | OK5259 | Rillenkugellager 30x55x13             | Grooved ball bearing 30x55x13        |            |                      |
| 4  | 1 701 7095 | OG3671 | Zylinderstift Ø8x25                   | Dowel pin Ø8x25                      | PBOT06Q    |                      |
|    | 1 701 7096 | OG3275 | Zylinderstift Ø10x25                  | Dowel pin Ø20/Ø8.2x0.9               | PBOT10-40Q |                      |
| 5  | 1 201 1931 | OG3492 | Tellerfeder Ø20/Ø8.2x0.9              | Belleville washer Ø20/Ø8.2x0.9       | PBOT06Q    |                      |
|    | 1 201 1932 | OG3276 | Tellerfeder Ø20/Ø10.2x1               | Belleville washer Ø20/Ø10.2x1        | PBOT10-40Q |                      |
| 6  | 76.4179    | OG3665 | Platte Motorbefestigung               | Motor support                        | PBOT06Q    |                      |
|    | 76.4205    | OG3773 | Platte Motorbefestigung               | Motor support                        | PBOT10-40Q |                      |
| 7  | 1 701 5008 | OKL250 | Federring M8                          | Spring washer M8                     | PBOT06Q    |                      |
|    | 1 701 5040 | OK4616 | Federring M10                         | Spring washer M10                    | PBOT10-40Q |                      |
| 8  | 1 701 2525 | OK4599 | Sechskantschraube M8x16               | Hex bolt M8x16                       | PBOT06Q    |                      |
|    | 1 701 1565 | OG6838 | Sechskantschraube M10x20              | Hex bolt M10x20                      | PBOT10-40Q |                      |
| 9  | 70.0810.02 | OK4547 | Sicherungsring Ø30                    | Circlip ring Ø30                     |            |                      |
| 10 | 76.4010.KD | OG5153 | Dichtungsring Ø62/45x6                | Sealing ring Ø62/45x6                |            |                      |
| 11 | 1 201 1933 | OKG261 | Dichtungsring Ø50.4x3.53              | Sealing ring Ø50.4x3.53              |            |                      |
| 12 | 76.4009.KD | OG4656 | Wellenzapfen                          | Journal                              |            |                      |
| 13 | 76.4008    | OK5588 | Wellendeckel                          | Shaft end cap                        |            |                      |
| 14 | 1 701 2570 | OG5820 | Sechskantschraube M8x20               | Hex bolt M8x20                       |            |                      |
| 15 | 70.0820.04 | OKX276 | Passfeder 8x7x45                      | Feather key 8x7x45                   |            |                      |
| 16 | 70.0820.02 | OK6227 | Passfeder 8x7x36                      | Feather key 8x7x45                   |            |                      |
| 17 | 76.4669.03 | OG4465 | Welle Rührwerk 60L                    | Shaft stirrer 60L                    | PBOT06Q    |                      |
|    | 76.4669.05 | OG4027 | Welle Rührwerk 100L                   | Shaft stirrer 100L                   | PBOT10Q    |                      |
|    | 76.4669.07 | OKV455 | Welle Rührwerk 150L                   | Shaft stirrer 150L                   | PBOT15Q    |                      |
|    | 76.4669.08 | OG4180 | Welle Rührwerk 200L                   | Shaft stirrer 200L                   | PBOT20Q    |                      |
|    | 76.4669.09 | OG4008 | Welle Rührwerk 300L                   | Shaft stirrer 300L                   | PBOT30Q    |                      |
|    | 76.4669.10 | OG4390 | Welle Rührwerk 400L                   | Shaft stirrer 400L                   | PBOT40Q    |                      |
|    | 1 201 1547 | OK4527 | Kleber Loctite 243 (50mL)             | Glue Loctite 243 (50mL)              |            |                      |
|    | 1 201 1937 | OG4569 | Klüber UHI 84-201 Schmierpaste (600g) | Klüber UHI 84-201 lubrication (600g) |            |                      |
|    | 76.9123    | OG5919 | Kabel: Thermorelais - Motor           | Cable: thermal relay - motor         |            |                      |



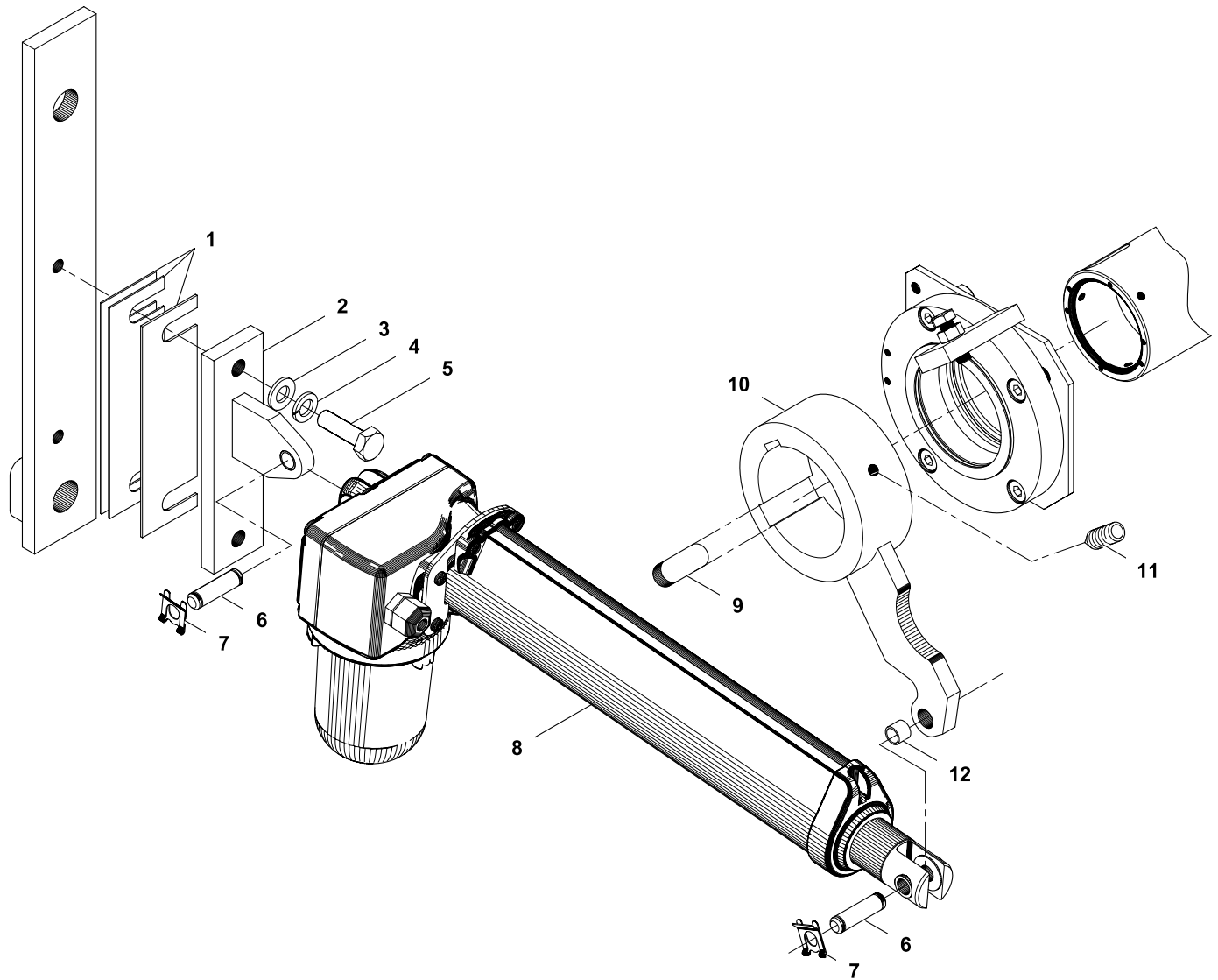
| 6   | Alias      | Code   | Bezeichnung                   | Description               | Ref.        | Valid from Serial N° |
|-----|------------|--------|-------------------------------|---------------------------|-------------|----------------------|
| 1   | 1 701 5080 | OKT913 | Sicherungsring Ø70            | Circlip ring Ø70          |             |                      |
| 2   | 76.4402    | OKI520 | Distanzscheibe                | Spacer washer             |             |                      |
| 3   | 76.4037    | OKI519 | Distanzscheibe                | Spacer washer             |             |                      |
| 4   | 76.3002    | OKI517 | Lagerband                     | Bearing strip             |             |                      |
| 5a  | 76.4425    | OG4680 | Lagerhalter links             | Bearing retainer left     |             |                      |
| 5b  | 76.4337    | OKT703 | Lagerhalter rechts            | Bearing retainer right    |             |                      |
| 6   | 1 701 2631 | OKT916 | Innensechskantschraube M8x25  | Allen bolt M8x25          |             |                      |
| 7   | 1 701 3044 | OK4612 | Sechskantmutter M8            | Hex nut M8                |             |                      |
| 8   | 1 701 2616 | OKT918 | Sechskantschraube M8x25       | Hex bolt M8x25            |             |                      |
| 9   | 76.4341    | OG4726 | Gegenhalter                   | Counter support           |             |                      |
| 10  | 76.4038    | OKT707 | Stützscheibe                  | Retaining washer          |             |                      |
| 11  | 1 101 8148 | OG2970 | Innensechskantschraube M10x50 | Allen bolt M10x50         | 100L        |                      |
|     | 1 701 1073 | OG4678 | Innensechskantschraube M10x60 | Allen bolt M10x60         | 60L         |                      |
|     | 1 701 1074 | OG4679 | Innensechskantschraube M10x70 | Allen bolt M10x70         | 150 - 400L  |                      |
| 12  | 76.4102.01 | OG3135 | Abdeckung Lagerzapfen         | Cover bearing spigot      | 100L        |                      |
|     | 76.4102.02 | OG4677 | Abdeckung Lagerzapfen         | Cover bearing spigot      | 150L - 400L |                      |
|     | 76.4102.04 | OG4675 | Abdeckung Lagerzapfen         | Cover bearing spigot      | 60L         |                      |
| 13a | 76.4528    | OG4126 | Lagerzapfen links             | Bearing spigot left       |             |                      |
| 13b | 76.4033    | OT5477 | Lagerzapfen rechts            | Bearing spigot right      |             |                      |
| 14  | 76.3004    | OKI521 | Dichtmanschette               | Sealing sleeve            |             |                      |
| 15  | 1 701 7058 | OG6089 | Schwerspansstift 6x26         | Spring pin 6x26           |             |                      |
| 16a | 76.4530.01 | OG3498 | Zwischenring links 20mm       | Spacer bracket left 20mm  | 100L - 400L |                      |
|     | 76.4530.02 | OG6420 | Zwischenring links 30mm       | Spacer bracket left 30mm  | 60L         |                      |
| 16b | 76.4031.01 | OKT709 | Zwischenring rechts 20mm      | Spacer bracket right 20mm | 100L - 400L |                      |
|     | 76.4031.02 | OKT708 | Zwischenring rechts 30mm      | Spacer bracket right 30mm | 60L         |                      |



| 7  | Alias         | Code   | Bezeichnung                   | Description               | Ref.                        | Valid from Serial N° |
|----|---------------|--------|-------------------------------|---------------------------|-----------------------------|----------------------|
| 1a | 87.1013.03    | *      | Steuerfront                   | UI panel                  | 400H 800/900/1000 depth     |                      |
| 1b | 87.1013.01    | *      | Steuerfront                   | UI panel                  | 700H 800/900/1000 depth     |                      |
|    | 87.1013.02    | *      | Steuerfront                   | UI panel                  | 800H 800/900/1000 depth     |                      |
| 1c | 87.1013.07    | *      | Steuerfront mit Hauptschalter | UI panel with main switch | 700H 800/900/1000 depth     |                      |
|    | 87.1013.08    | *      | Steuerfront mit Hauptschalter | UI panel with main switch | 800H 800/900/1000 depth     |                      |
|    | 87.1013.15    | *      | Steuerfront mit Hauptschalter | UI panel with main switch | 400H 900 depth (1000 depth) |                      |
|    | 87.1013.16    | *      | Steuerfront mit Hauptschalter | UI panel with main switch | 700H 900 depth (1000 depth) |                      |
|    | 87.1013.17    | *      | Steuerfront mit Hauptschalter | UI panel with main switch | 800H 900 depth (1000 depth) |                      |
| 2  | 87.1008       | OG6081 | Folie                         | Foil                      |                             |                      |
| 3  | 87.9004       | OC6546 | Abdeckkappe zu USB            | USB cover                 |                             |                      |
| 4  | 87.9005       | OTTH81 | Dichtung zu USB               | USB sealing               |                             |                      |
| 5  | 87.9003       | OC6547 | Halter zu USB                 | USB support               |                             |                      |
| 6  | 87.1014       | *      | Blech zu USB                  | USB fixation sheet        |                             |                      |
| 7  | 712 044120.04 | OG4918 | Kepsmutter M4                 | Hex nut M4                |                             |                      |
| 8  | 87.9030       | OC6566 | Kabel COPUI40-USB             | Cable COPUI40-USB         |                             |                      |
| 9  | 1 701 7550    | OG4894 | Dichtband APENFIX 12x2        | Sealing strip AENFIX 10x2 |                             |                      |
| 10 | 87.9043_0     | OG5909 | Steuerung komplett            | User interface assembled  |                             |                      |
|    | 87.9043_1     | OG6990 | Steuerung komplett            | User interface assembled  |                             | 5181...              |
| 11 | 87.9010       | OG5956 | Kabel Klemmen-COPUI40S        | Cable terminal-COPUI40S   |                             |                      |
| 12 | 87.9033       | OG5957 | Kabel COPUI40-COP20           | Cable COPUI40-COP20       |                             |                      |
| 13 | 1 701 5004    | OH9734 | Federring M5                  | Spring washer M5          |                             |                      |
| 14 | 1 701 3008    | OG6111 | Sechskantmutter M5            | Hex nut M5                |                             |                      |
| 15 | 76.9164.01    | OG2137 | Hauptschalter 25A             | Main switch 25A           |                             |                      |
|    | 76.9164.02    | OK4979 | Hauptschalter 63A             | Main switch 63A           |                             |                      |
|    | 76.9164.03    | OK4980 | Hauptschalter 80A             | Main switch 80A           |                             |                      |
|    | 76.9164.04    | OG3828 | Hauptschalter 125A            | Main switch 125A          |                             |                      |

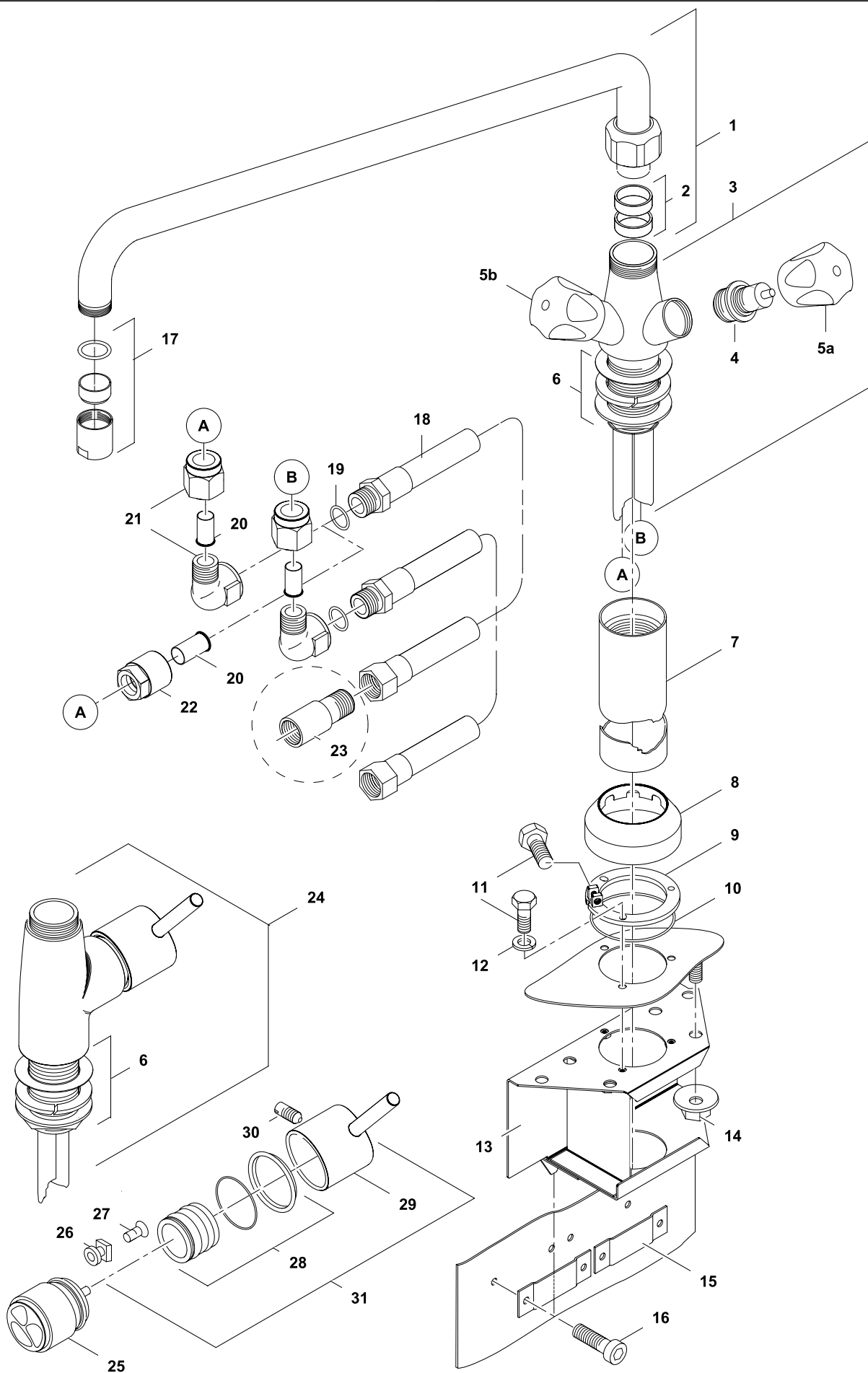


| 8  | Alias        | Code   | Bezeichnung                       | Description                     | Ref. | Valid from Serial N° |
|----|--------------|--------|-----------------------------------|---------------------------------|------|----------------------|
| 1  | 87.7072_0.KD | OG6644 | Drehgriff komplett                | Handle with adapter and sealing |      |                      |
| 2  | 82.7009      | OG6247 | Dichtung Drehgriff                | Sealing handle                  |      |                      |
| 3  | 87.1363      | *      | Abstandsblech                     | Spacer                          |      |                      |
| 4  | 87.9118      | OG6267 | Kipppotentiometer 7POT5KEO        | Tilting potentiometer 7POT5KEO  |      |                      |
| 5  | 1 701 3502   | OG3595 | Unterlegscheibe Ø4,3 x Ø9,0 x 0,8 | Wascher Ø4,3 x Ø9,0 x 0,8       |      |                      |
| 6  | 1 701 3004   | OK4606 | Sechskantmutter M4x0.8            | Hex nut M4x0.8                  |      |                      |
| 7  | 76.9108.02   | OK5160 | Kontaktgeber Notaus               | Terminal emergency stop         |      |                      |
| 8  | 76.9075.03   | OKX129 | Notausschläter                    | Emergency stop botton           |      |                      |
| 9  | 86.7120      | OG6839 | Einhebelmischer                   | One-lever mixer tap             |      |                      |
| 10 | 86.7124      | *      | Frontblende Spray Gun             | Front panel spray gun           |      |                      |
| 11 | 1 701 5083   | OG6850 | Quicklock-Scheibe                 | Quicklock fixing washer         |      |                      |

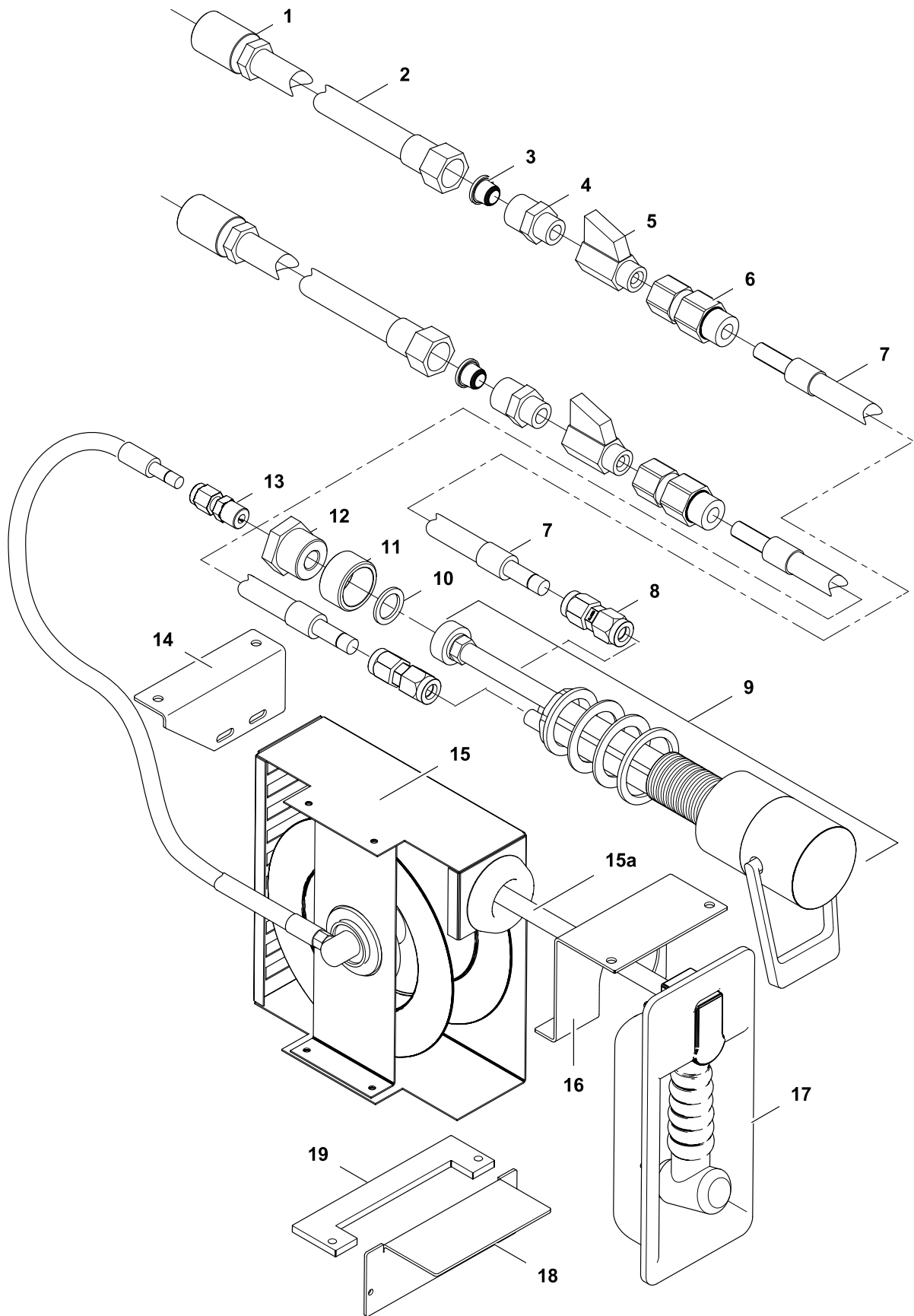


| 9  | Alias      | Code   | Bezeichnung                          | Description                          | Ref.              | Valid from Serial N° |
|----|------------|--------|--------------------------------------|--------------------------------------|-------------------|----------------------|
| 1  | 76.0066.01 | OK5492 | Zwischenblech 1mm                    | Spacer sheet 1mm                     |                   |                      |
|    | 76.0066.03 | OK5494 | Zwischenblech 1,5mm                  | Spacer sheet 1,5mm                   |                   |                      |
| 2  | 76.0162    | OG2930 | Motorhalter                          | Motor support                        | Depth 900         |                      |
|    | 76.0163    | OG6384 | Motorhalter                          | Motor support                        | Depth 1000        |                      |
| 3  | 1 701 3516 | OT5917 | Unterlegscheibe Ø10.5 x Ø21 x 2      | Washer Ø10.5 x Ø21 x 2               |                   |                      |
| 4  | 1 701 5040 | OK4616 | Federring M10                        | Spring washer M10                    |                   |                      |
| 5  | 1 701 2543 | OK4601 | Sechskantschraube M10x35             | Hex bolt M10x35                      |                   |                      |
| 6  | 87.7041    | OG6840 | Bolzen M10x30                        | Pin M10x30                           |                   |                      |
| 7  | 1 201 1927 | OK5499 | Federklammer Ø10                     | Spring clip Ø10                      |                   |                      |
| 8  | 87.9113    | OG6269 | Kippmotor SIR 3000N lang 6814421     | Tilting motor SIR 3000N lang 6814421 | 60L - 150L        | 41410000             |
|    | 87.9112    | OG6268 | Kippmotor SIR 6000N lang 6814420     | Tilting motor SIR 6000N lang 6814420 | 200L - 400L       | 41410000             |
|    | 76.3090    | OK4753 | Kippmotor 3000N lang                 | Tilting motor 3000N long             | 60L (D900) - 150L | 34010000             |
|    | 76.3091    | OK4754 | Kippmotor 8000N lang                 | Tilting motor 8000N long             | 200L - 500L       | 34010000             |
| 9  | 1 201 1907 | OKT929 | Passfeder 14x9x36                    | Feather key 14x9x36                  |                   |                      |
| 10 | 76.2027.01 | *      | Kipphebel                            | Rocker arm                           | Depth 900/1000    |                      |
|    | 76.2027.02 | *      | Kipphebel                            | Rocker arm                           | Depth 800         |                      |
| 11 | 1 701 7094 | OG4248 | Gewindestift m. Innensechskant M8x12 | Allen set screw M8x12                |                   |                      |
| 12 | 76.4115    | OK5498 | Lager GLEIT-PERMAGLIDE               | Fiberglide                           |                   |                      |

\* Components on demand  
\* Teile auf Anfrage

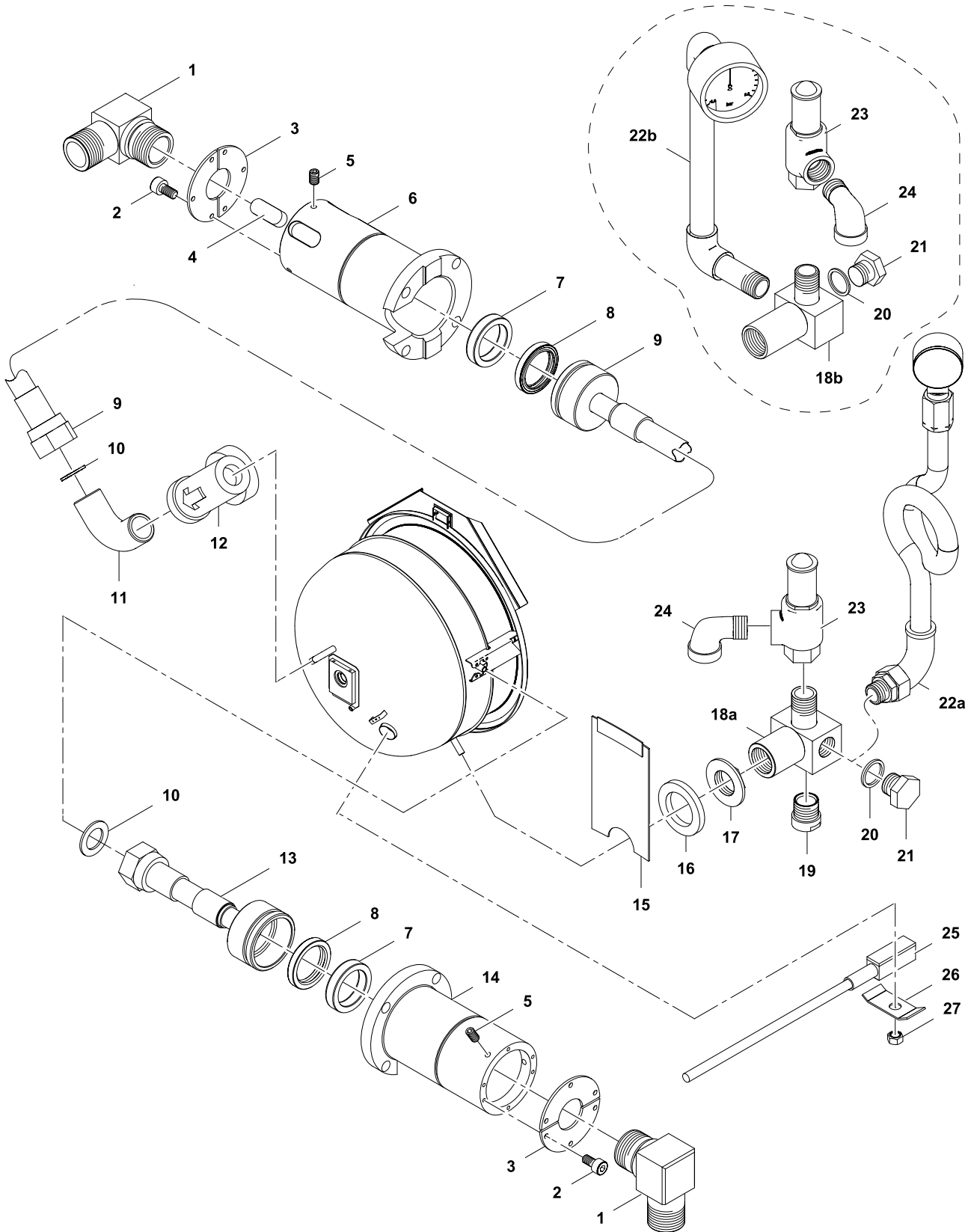


| 10 | Alias         | Code   | Bezeichnung  | Description  | Ref. | Valid from Serial N° |
|----|---------------|--------|--|--|------|----------------------|
|    | 76.2013.01_KD | OKL304 | Kit Zweihebel-Mischbatterie 330x600mm<br>Kit enthält Pos.: 1-16, 18-20, 22 | Kit mixing tap, 2 knobs, 330x600mm<br>Kit contains pos.: 1-16, 18-20, 22 |      |                      |
| 1  | 712 344884.04 | OK5360 | KWC Schwenauslauf 3/4", 600mm  | KWC swivel spout 3/4", 600mm   |      |                      |
|    | 712 344884.03 | OK5358 | KWC Schwenauslauf 3/4", 450mm  | KWC swivel spout 3/4", 450mm   |      |                      |
|    | 712 344884.02 | OK5359 | KWC Schwenauslauf 3/4", 300mm  | KWC swivel spout 3/4", 300mm   |      |                      |
| 2  |               | OK3930 | Dichtungsringe   | Sealing rings  |      |                      |
| 3  | 712 344884.01 | OK5355 | KWC Zweihebel-Mischbatterie  | KWC Mixing tap, 2 knobs  |      |                      |
| 4  |               | OK5357 | Ventileinsatz 3/4"   | Valve insert 3/4"  |      |                      |
| 5a |               | OK5826 | Griff blau   | Knob blue  |      |                      |
| 5b |               | OK5827 | Griff rot  | Knob red   |      |                      |
| 6  |               | OG3239 | Set Verschraubung 5/4"   | Kit Fixation 5/4"  |      |                      |
| 7  | 72.5976.01    | OG5227 | Standrohr 460mm  | Stand pipe 460mm   |      |                      |
|    | 72.5976.02    | OG3179 | Standrohr 330mm  | Stand pipe 330mm   |      |                      |
|    | 72.5976.03    | OG4753 | Standrohr 160mm  | Stand pipe 160mm   |      |                      |
| 8  | 72.0435       | OG3091 | Rosette zu Standrohr   | Stand pipe collar  |      |                      |
| 9  | 72.5919       | OKT745 | Sicherungsring   | Fixation ring  |      |                      |
| 10 | 712 044480.14 | OKT793 | O-Ring ORM 0530-20   | Joint ORM 0530-20  |      |                      |
| 11 | 1 701 2632    | OG3677 | Sechskantschraube M4 x 16  | Hex bolt M4x16   |      |                      |
| 12 | 1 701 5002    | OKL273 | Federring M4   | Spring washer M4   |      |                      |
| 13 | 76.0119.01    | OT2659 | Konsole Mischbatterie  | Console mixing tap   |      |                      |
| 14 | 712 044120.05 | OG3998 | Kepsmutter M5  | Hex nut M5   |      |                      |
| 15 | 76.0033       | OG3979 | Hutprofil  | Clamping profile   |      |                      |
| 16 | 1 101 8129    | OG3676 | Innensechskantschraube M5 x 16   | Allen bolt M5 x 16   |      |                      |
| 17 |               | OG3238 | Tropfenschutz 3/4"   | Drip stop 3/4"   |      |                      |
| 18 | 712 344893.01 | OKW734 | Panzerschlauch L1700 G1/2" / R1/2"   | Armored hose L1700 G1/2" / R1/2"   |      |                      |
|    | 712 344893.02 | OK5363 | Panzerschlauch L1100 G1/2" / R1/2"   | Armored hose L1100 G1/2" / R1/2"   |      |                      |
|    | 712 344893.03 | OG6530 | Panzerschlauch L600 G1/2"  | Armored hose L600 G1/2"  |      |                      |
| 19 | 712 04481.21  | OG3610 | Flachdichtung Ø 18/11x2 G1/2"  | Flat seal Ø 18/11x2 G1/2"  |      |                      |
| 20 | 1 101 3797    | OKE129 | Stützhülse   | Sleeve   |      |                      |
| 21 | 1 101 3798    | OK4489 | Winkel-Anschluss G1/2"   | Angle connection G1/2"   |      |                      |
| 22 | 1 101 2075    | OKX119 | Anschluss G1/2"  | Connection G1/2"   |      |                      |
| 23 | 87.5168       | OG6646 | WFA Adapter G1/2"  | WFA Adapter G1/2"  |      |                      |
| 24 | 712 344884.05 | *      | KWC Einhebel-Mischbatterie   | KWC mixing tap, one lever  |      |                      |
| 25 |               | OK1140 | Steuerpatrone  | Mixer tap cartridge  |      |                      |
| 26 | Z.632.240     | KWC    | Kunststoffeinsatz  | Plastic insert   |      |                      |
| 27 | Z.602.997     | KWC    | Schraube M4 x 15   | Screw M4 x 15  |      |                      |
| 28 | Z.535.675     | KWC    | Befestigung mit Gleitringen  | Fixation with slide rings  |      |                      |
| 29 | Z.634.829     | KWC    | Bedienhebel , chrom  | Control lever, chrome  |      |                      |
| 30 | Z.605.952     | KWC    | Gewindestift M6 x 10   | Set screw M6 x 10  |      |                      |
| 31 | Z.535.674     | KWC    | Bedienhebel mit Befestigung  | Control lever with fixation  |      |                      |

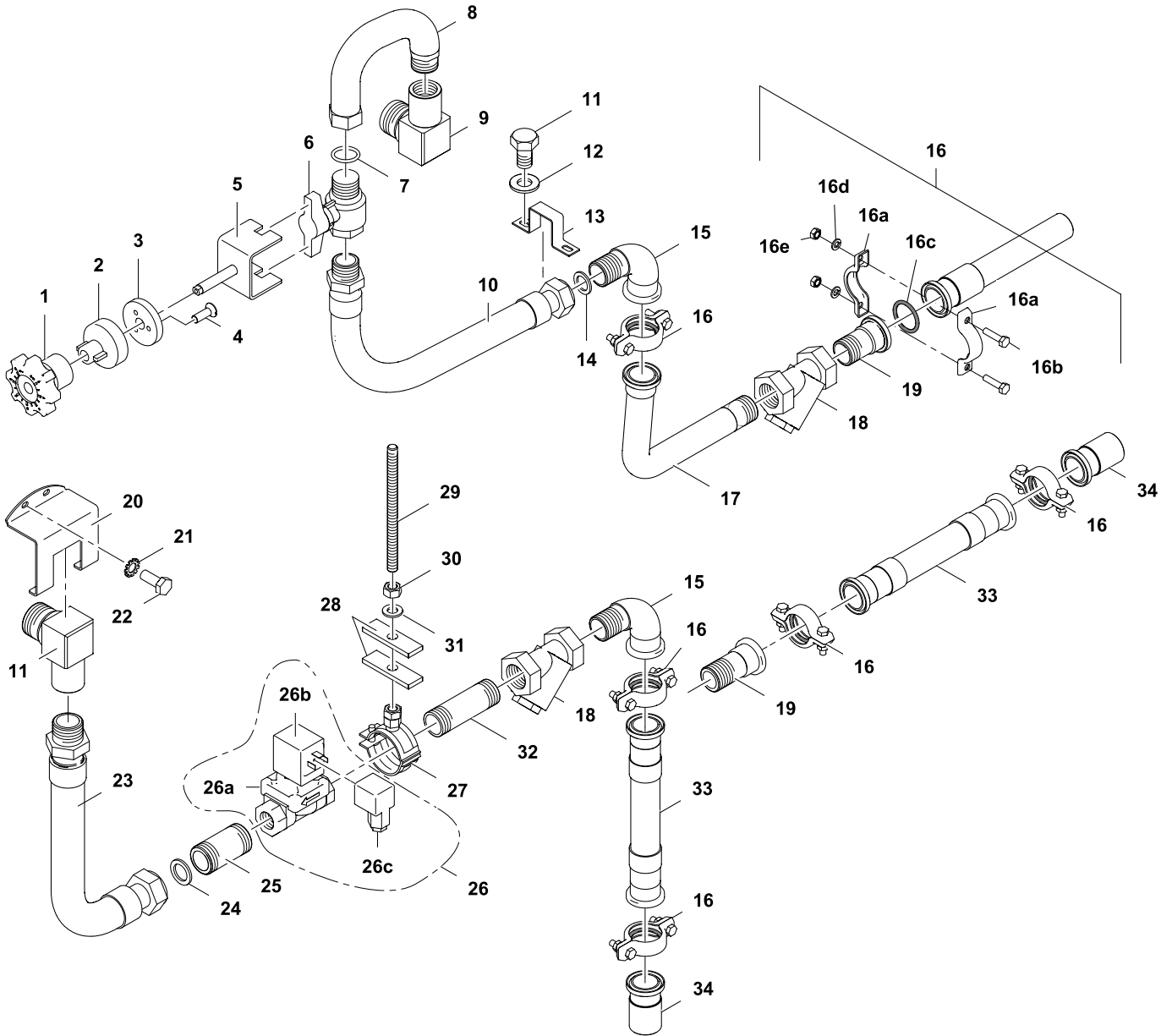


| TI  | Alias         | Code   | Bezeichnung                            | Description                       | Ref. | Valid from Serial N° |
|-----|---------------|--------|--|-----------------------------------|------|----------------------|
| 1   | 712 344852.24 | OG6841 | Gewindemuffe 1/2"                      | Turnbuckle 1/2"                   |      |                      |
| 2   | 712 344893.03 | OG6530 | Panzerschlauch L600                    | Armored hose L600                 |      |                      |
| 3   | 1 701 2827    | OG6842 | Hutfilter 1/2-50/50 H12                | Filter insert 1/2-50/50 H12       |      |                      |
| 4   | 1 116 1219    | OG6843 | Reduziernippel                         | Reduction nipple                  |      |                      |
| 5   | 86.1086       | OG6844 | Kugelhahn mini 3/8"                    | Ball valve mini 3/8"              |      |                      |
| 6   | 86.1087       | OG6845 | Rückschlagventil 3/8"                  | Check valve 3/8"                  |      |                      |
| 7   | 87.5147       | OG6846 | Schlauch Ø10                           | Hose Ø10                          |      |                      |
| 8   | 1 101 2156    | OG6847 | Gerade Verschraubung mit Rohranschluss | Straight pipe fitting             |      |                      |
| 9   | 86.7120       | OG6839 | Einhebelmischer                        | One-lever mixer tap               |      |                      |
| 10  | 712 044481.04 | OG3951 | Flachdichtung Ø24x17x2                 | Flat sealing                      |      |                      |
| 11  | 1 116 1156    | OG6848 | Muffe halb 3/4" - 1/4"                 | Turnbuckle 3/4" - 1/4"            |      |                      |
| 12  | 1 117 1296    | OG6851 | Buchse 3/4" - 1/4"                     | Hex bushing 3/4" - 1/4"           |      |                      |
| 13  | 1 101 3901    | OKT947 | Verschraubung mit Einschraubnippel     | Pipe fitting with threaded nipple |      |                      |
| 14  | 87.4035       | *      | Halter Spray Gun oben                  | Upper spray gun support           |      |                      |
| 15  | 86.7123       | OG5969 | Spray Gun                              | Spray gun                         |      |                      |
| 15a | 87.7068       | OG6579 | Schlauch EPDM zu Spray Gun             | Hose EPDM for spray gun           |      |                      |
| 16  | 87.5152       | *      | Halter Spray Gun oben (H400)           | Upper Spray gun support (H400)    | H400 |                      |
| 17  | 86.7124       | *      | Frontblende Spray Gun                  | Front panel spray gun             |      |                      |
| 18  | 87.4034       | *      | Halter Spray Gun unten (H700)          | Lower spray gun support (H700)    | H700 |                      |
| 19  | 87.1270       | *      | Halter Spray Gun unten (H800)          | Lower spray gun support (H800)    | H800 |                      |

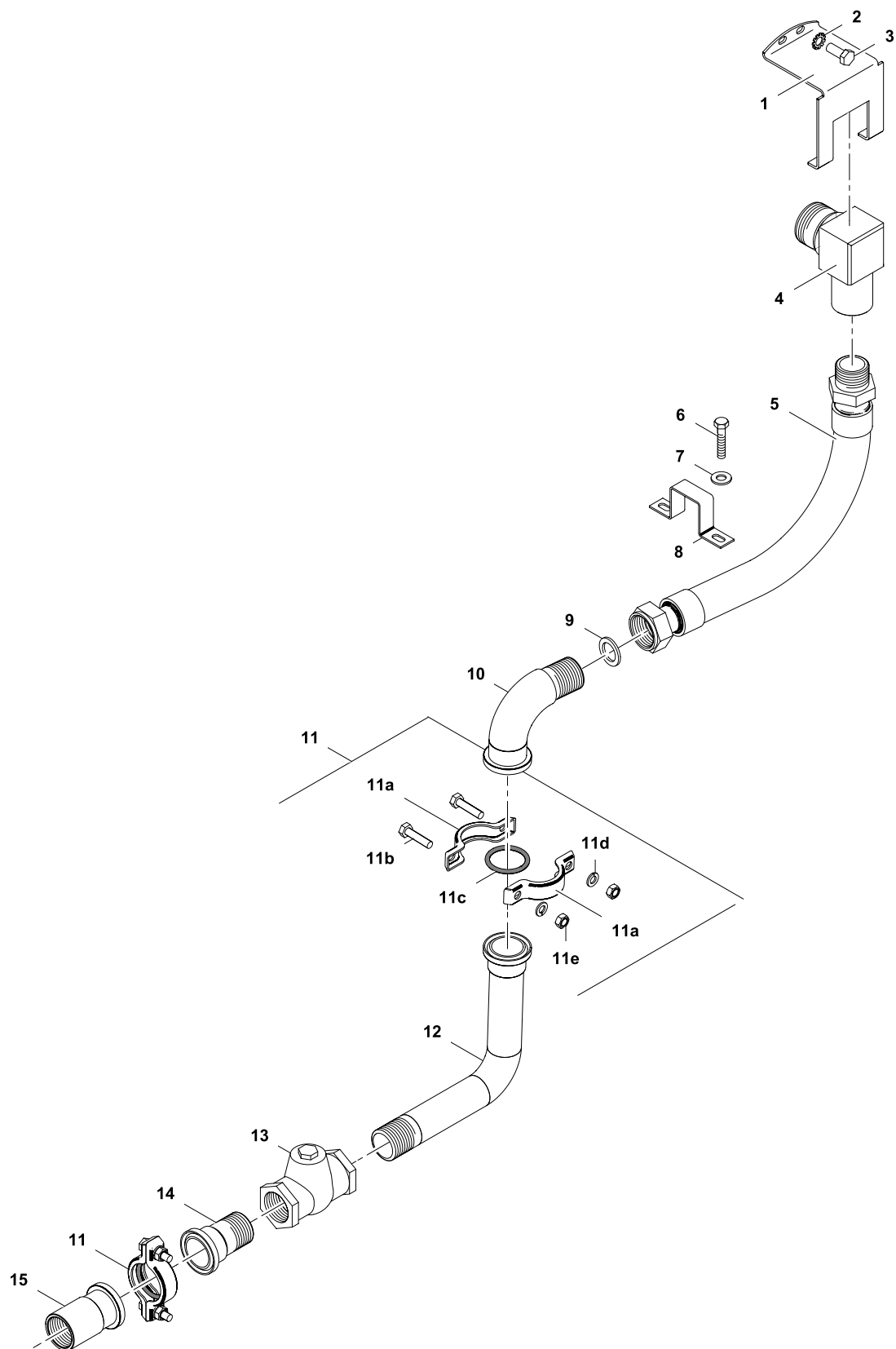
\* Components on demand  
\* Teile auf Anfrage



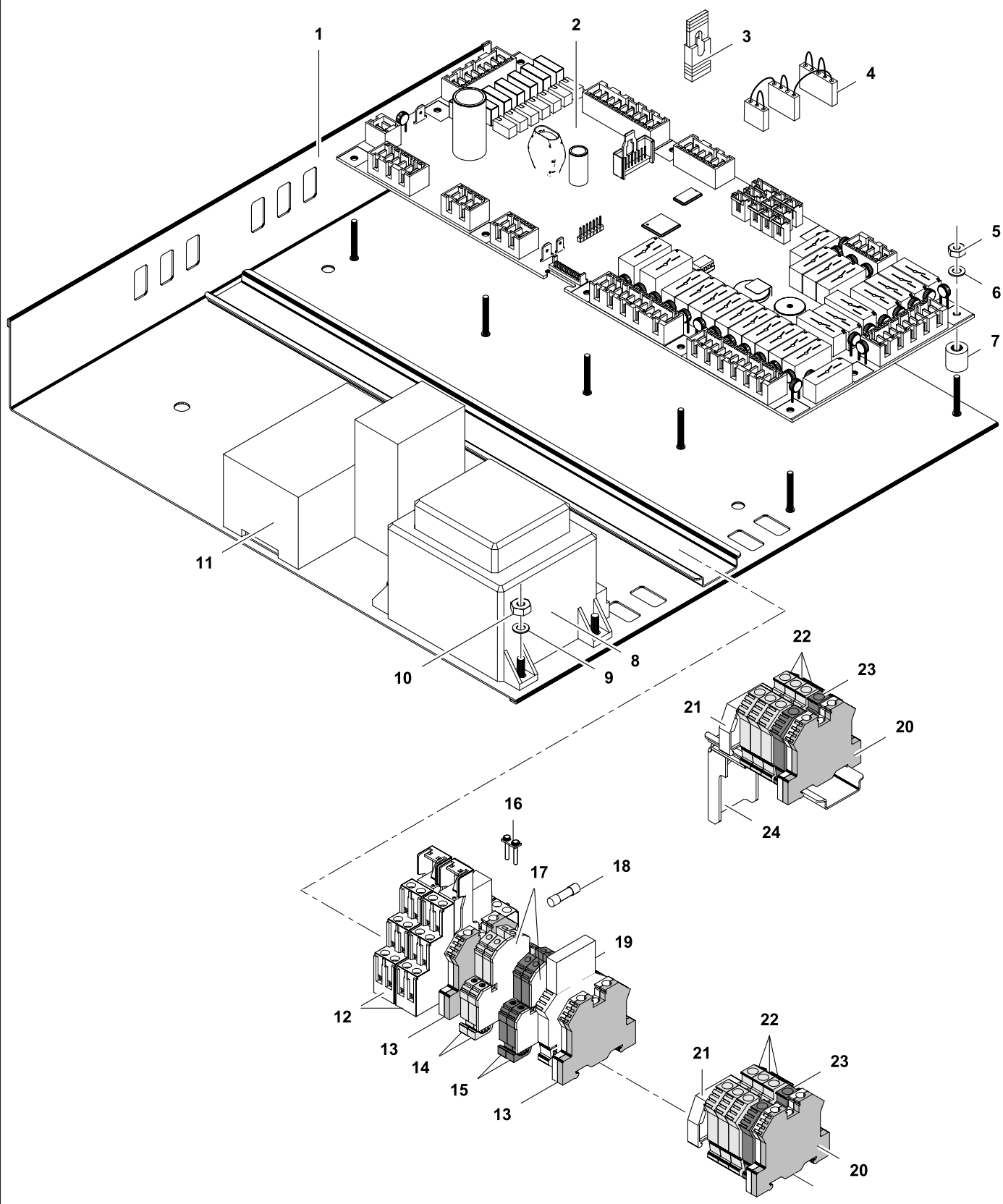
| 12  | Alias         | Code     | Bezeichnung                          | Description                      | Ref.        | Valid from Serial N° |
|-----|---------------|----------|--------------------------------------|----------------------------------|-------------|----------------------|
| 1   | 76.2071       | OKT721   | Gelenkzapfen                         | Angle fitting                    |             |                      |
| 2   | 1 101 8170    | OG3250   | Innensechskantschraube M4x8          | Allen screw M4x8                 |             |                      |
| 3   | 76.8066       | OKT694   | Anschlag                             | Locator                          |             |                      |
| 4   | 1 201 1907    | OKT929   | Passfeder 14x9x36                    | Feather key 14x9x36              |             |                      |
| 5   | 1 701 7091    | OG3982   | Gewindestift mit Innensechskant M6x8 | Allen set screw M6x8             |             |                      |
| 6   | 76.4528       | OG4126   | Lagerzapfen links                    | Bearing spigot left              |             |                      |
| 7   | 76.1522       | OG5578   | Lagerbüchse                          | Bearing bush                     |             |                      |
| 8   | 76.3010       | OK5597   | Radial-Wellendichtung                | Radial shaft seal                |             |                      |
| 9   | 76.4553.02    | OKW702   | Einbauleitung L=400                  | Built in pipe L=400              | PBOT06SVCO  |                      |
|     | 76.4553.03    | OG3137   | Einbauleitung L=500                  | Built in pipe L=500              | 60L/100L    |                      |
|     | 76.4553.04    | OG4552   | Einbauleitung L=700                  | Built in pipe L=700              | 150L - 400L |                      |
| 10  | 1 101 2086    | OG3156   | Kupferdichtung                       | Copper Seal                      |             |                      |
| 11  | 1 101 2159    | OG6447   | Winkelverschraubung                  | Angle connection                 |             |                      |
| 12  | 1 201 2016    | OKX273   | Kondensatableiter 3/4"               | Condensate drain 3/4"            |             |                      |
| 13  | 76.4553.01    | OG2682   | Einbauleitung L=128                  | Built in pipe L=128              |             |                      |
| 14  | 76.4033       | OT5477   | Lagerzapfen rechts                   | Bearing spigot right             |             |                      |
| 15  | 76.4080       | OG4067   | Deckel Außenmantel                   | Mantle cover                     |             |                      |
| 16  | 712 044489.01 | OG6852   | Dichtungsmanschette                  | Sealing collar                   |             |                      |
| 17  | 712 344858.23 | OK8849   | Gegenmutter 3/4"                     | Counter nut 3/4"                 |             |                      |
| 18a | 76.4555       | OG3571   | Armaturkörper                        | Fitting                          |             |                      |
| 18b | 87.2234       | OG6853   | Armaturkörper *CHINA                 | Fitting *China                   |             |                      |
| 19  | 12.7296       | OH9729   | Belüftungsstopfen 1/2"               | Air vent cap 1/2"                |             |                      |
| 20  | 1 101 2157    | OK5545   | Kupferdichtung 21x26                 | Copper Seal 21x26                |             |                      |
| 21  | 1 117 1239    | OKV476   | Stopfen 1/2"                         | Stopper 1/2"                     |             |                      |
| 22a | 87.0101       | OG6366   | Prüfmanometer Service                | Testing manometer                | PBOTxxS/T/Q |                      |
| 22b |               | PA020600 | Anbaumanometer *China L200           | Integrated manometer *China L200 | 60L/100L    |                      |
|     |               | PA020700 | Anbaumanometer *China L250           | Integrated manometer *China L250 | 150L/200L   |                      |
|     |               | PA020800 | Anbaumanometer *China L300           | Integrated manometer *China L300 | 300L/400L   |                      |
| 23  | 86.2424       | OG5631   | Sicherheitsventil                    | Safety valve                     |             |                      |
| 24  | 1 101 2162    | OG6161   | Einschraubwinkel 1/2"                | Screw in angle connection 1/2"   |             |                      |
|     | 1 201 1813    | OG3817   | Kleber LOCTITE 577                   | Glue LOCTITE 577                 |             |                      |
|     | 21 775        | OG2699   | Teflonband                           | Teflon strip                     |             |                      |
| 25  | 87.9147.01.KD | OG6280   | TC Sensor Food gelb                  | TC Sensor food, yellow           |             |                      |
| 26  | 76.4191       | OG3087   | Fühlerhalter                         | Sensor fixation                  |             |                      |
| 27  | 1 701 3008    | OG6111   | Sechskantmutter M5                   | Hex nut M5                       |             |                      |
|     | 1 201 1510    | OG6854   | Wärmeleitpaste RTP-1                 | Heat conducting paste PTP1       |             |                      |



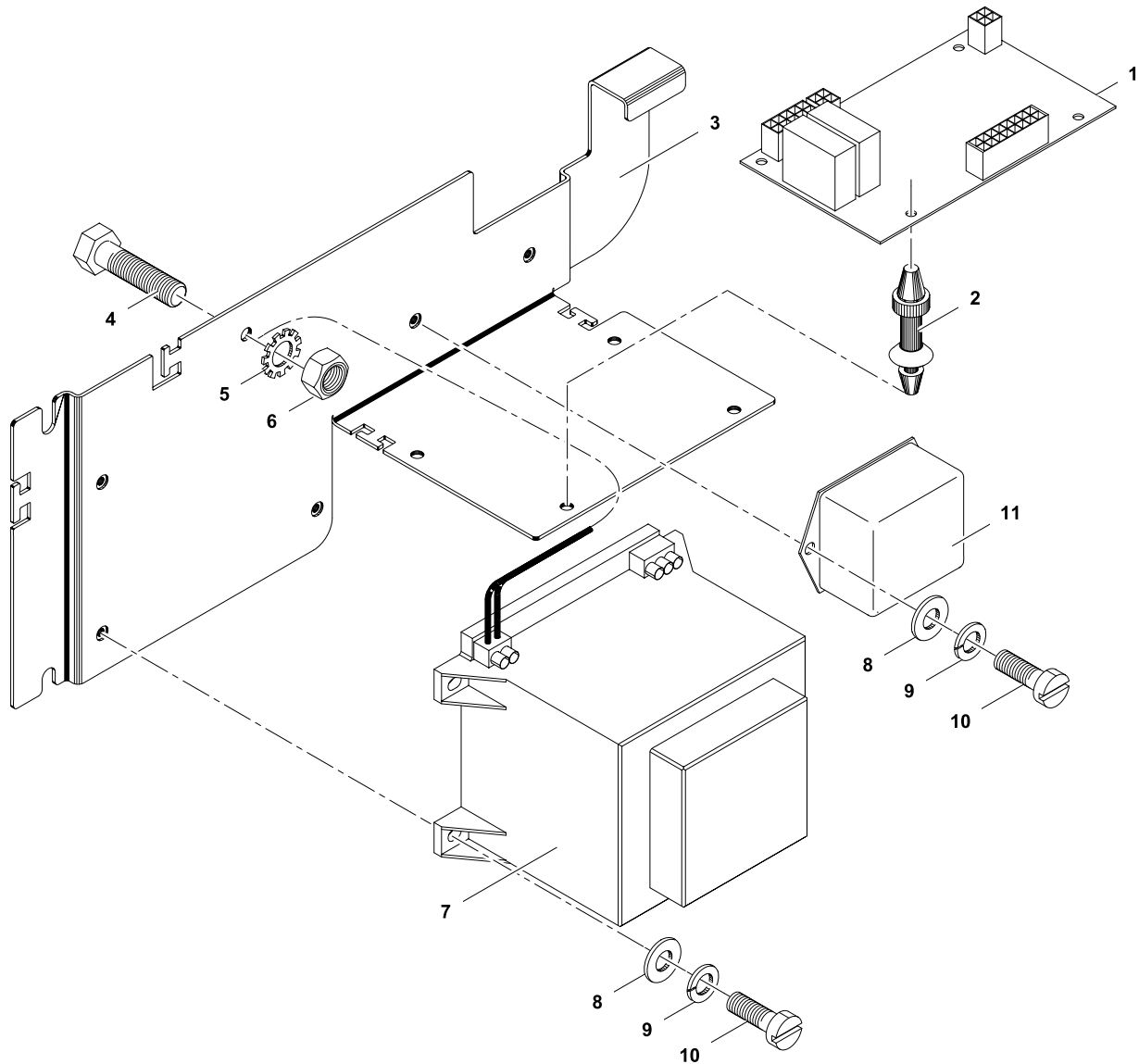
| 13  | Alias         | Code   | Bezeichnung                         | Description                          | Ref.               | Valid from Serial N° |
|-----|---------------|--------|-------------------------------------|--------------------------------------|--------------------|----------------------|
| 1   | 76.3637.KD    | *      | Drehrad                             | Handle                               | PBOTxxT            |                      |
| 2   | 76.3643       | OG6855 | Rosette 48x37                       | Round anchor plate 48x37             | PBOTxxT            |                      |
| 3   | 76.2070       | OG3033 | Distanzring                         | spacer ring                          | PBOTxxT            |                      |
| 4   | 1 701 1028    | OG3034 | Senkkopfschraube M4x12              | Countersunk screw M4x12              | PBOTxxT            |                      |
| 5   | 87.2240       | OG6856 | Verlängerung                        | Extension piece                      | PBOTxxT            |                      |
| 6   | 76.3676       | OG5838 | Kugelhahn 3/4" mit Planetengetriebe | Ball valve 3/4" with planetary gear  | PBOTxxT            |                      |
| 7   | 1 101 2158    | ???    | Kupferdichtung                      | Copper sealing                       | PBOTxxT            |                      |
| 8   | 71.3202       | OKT787 | Rohr flexibel DN20 3/4"             | Flexible pipe DN20 3/4"              | PBOTxxT            |                      |
| 9   | 76.2071       | OKT721 | Gelenkzapfen                        | Angle fitting                        |                    |                      |
| 10  | 76.3183.01    | OG3008 | Metallschlauch 420                  | Metal pipe 420                       | PBOTxxT            |                      |
| 11  | 1 701 2579    | OG4020 | Sechskantschraube M5x16             | Hex bolt M5x16                       | PBOTxxT            |                      |
| 12  | 1 701 3535    | OG3588 | Unterlegscheibe M5                  | Washer M5                            | PBOTxxT            |                      |
| 13  | 76.2072       | OT2683 | Rohrschelle D30                     | Pipe clamp D30                       | PBOTxxT            |                      |
| 14  | 1 101 2086    | OG3156 | Kupferdichtung Ø24x16.2x2           | Copper sealing Ø24x16.2x2            | PBOTxxT            |                      |
| 15  | 76.4558.01    | OG3268 | Anschluss gebogen                   | Bended connection                    |                    |                      |
| 16  | 76.2030.KD    | OG2723 | Sandvik-Kupplung                    | Sandvic-coupling                     |                    |                      |
| 16a | 712 844253    | OG3856 | Klammer (1/2 Klammer)               | Bride (1/2 bride)                    |                    |                      |
| 16b | 1 701 2516    | OT1795 | Sechskantschraube M6x25             | Hex bolt M6x25                       |                    |                      |
| 16c | 712 0444490   | OK5556 | Dichtungsring                       | Sealing ring                         |                    |                      |
| 16d | 1 701 5007    | OG6058 | Federscheibe M6                     | Spring washer                        |                    |                      |
| 16e | 1 701 3016    | OG5739 | Sechskantmutter M6x8D               | Hex nut M6x8D                        |                    |                      |
| 17  | 87.2242.01    | OG6857 | Dampfleitung Vorlauf; Handsteuerung | Steam inlet line                     | PBOTxxT/D=900      |                      |
| 18  | 1 201 2036    | OKL216 | Schmutzfangsieb 3/4"                | Dirt trap 3/4"                       |                    |                      |
| 19  | 76.2098       | OG4169 | Anschluss gerade                    | Straight connection                  |                    |                      |
|     | 1 201 1813    | OG3817 | Kleber LOCTITE 577                  | Glue LOCTITE 577                     |                    |                      |
| 20  | 76.0267       | *      | Verdrehsicherung                    | Locking device                       | PBOTxxS/Q          |                      |
| 21  | 1 701 3535    | OG3588 | Unterlegscheibe M5                  | Washer M5                            | PBOTxxS/Q          |                      |
| 22  | 1 701 2579    | OG4020 | Sechskantschraube M5x16             | Hex bolt M5x16                       | PBOTxxS/Q          |                      |
| 23  | 76.3183.01    | OG3008 | Metallschlauch 420                  | Metal pipe 420                       | PBOTxxS/Q D1000    |                      |
|     | 76.3183.02    | OG3971 | Metallschlauch 320                  | Metal pipe 320                       | PBOTxxS/Q D800/900 |                      |
| 24  | 76.4571.01    | OG3157 | Doppelnippel 3/4" dickwandig        | Double nipple                        | PBOTxxS/Q          |                      |
| 25  | 1 101 2086    | OG3156 | Kupferdichtung Ø24x16.2x2           | Copper sealing                       | PBOTxxS/Q          |                      |
| 26  | 76.3097_4     | OG5741 | Magnetventil 3/4" 2/2-Wege 60-170°C | Magnetic valve 3/4" 2/2-way 60-170°C | PBOTxxS/Q          |                      |
| 26a | 76.3510       | OG5597 | Magnetventil                        | Magnetic valve                       | PBOTxxS/Q          |                      |
| 26b | 76.3511       | OG5598 | Spule                               | Coil                                 | PBOTxxS/Q          |                      |
| 26c | 76.4935       | OK4978 | Stecker Magnetventil 3-polig        | Plug for magnetic valve 3-pin        | PBOTxxS/Q          |                      |
| 27  | 1 201 2018.01 | OG5895 | Rohrschelle M8/10 x25-28            | Pipe clamp M8/10 x25-28              | PBOTxxS/Q          |                      |
| 28  | 87.2141       | *      | Befestigungsplatte                  | Fixation plate                       | PBOTxxS/Q          |                      |
| 29  | 76.8766       | *      | Gewindestange M10x150mm             | Threaded rod M10x150mm               | PBOTxxS/Q          |                      |
| 30  | 1 701 3027    | OT1781 | Sechskantmutter M10x8               | Hex bolt M10x8                       | PBOTxxS/Q          |                      |
| 31  | 1 701 3516    | OT5917 | Unterlegscheibe Ø10.5xØ20x2         | Washer Ø10.5xØ20x2                   | PBOTxxS/Q          |                      |
| 32  | 1 201 2128    | OG6364 | Doppelnippel 3/4" x80               | Double nipple 3/4" x80               | PBOTxxS/Q          |                      |
| 33  | 76.4557.03    | OG6858 | Installationsleitung                | Installation pipe                    | PBOTxxS/Q          |                      |
| 34  | TS 2.2827     | OG6023 | Anschluss Hauptleitung              | Mains supply connection              |                    |                      |
|     | 1 201 1813    | OG3817 | Kleber LOCTITE 577                  | Glue LOCTITE 577                     |                    |                      |



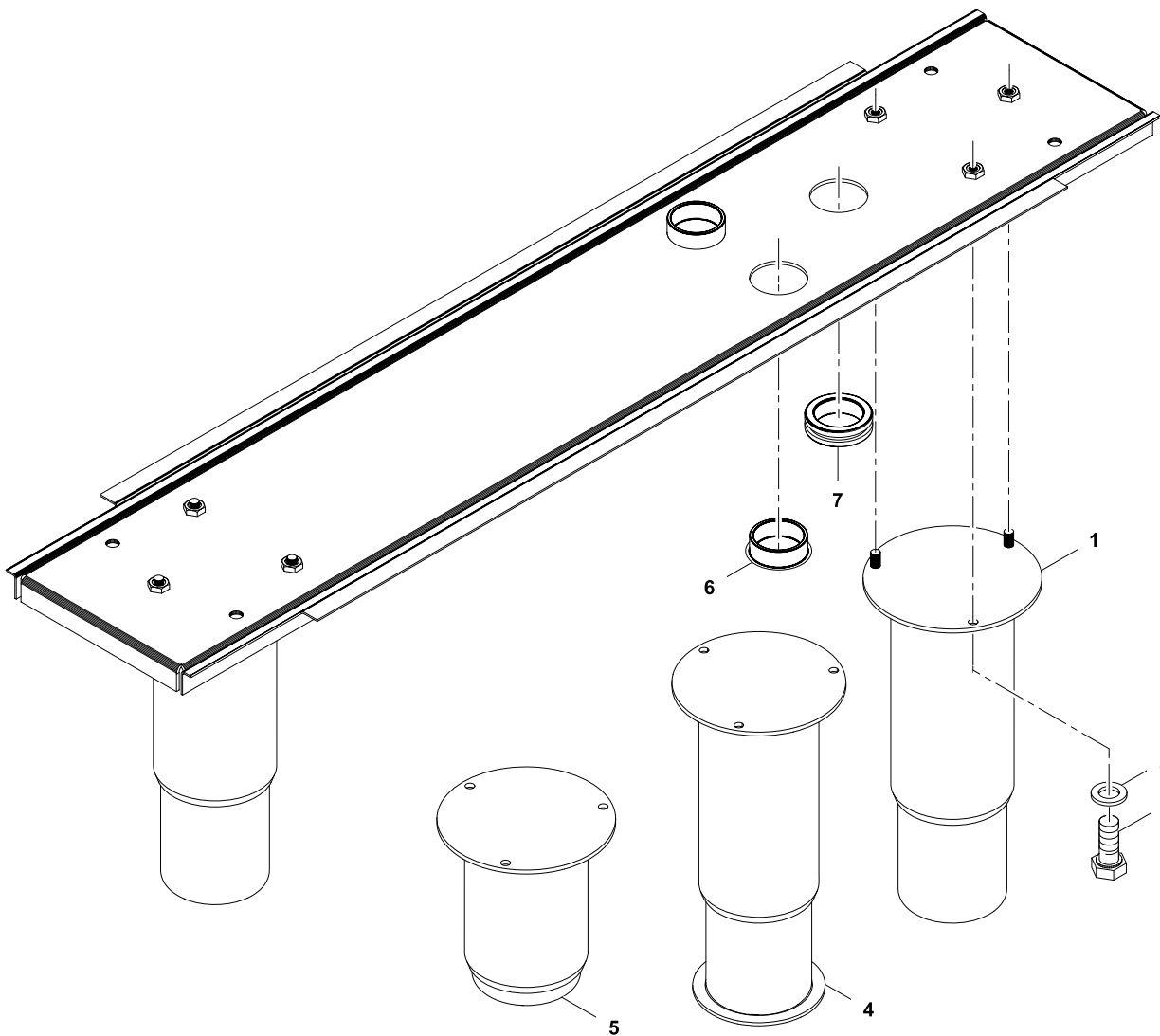
| 14  | Alias       | Code   | Bezeichnung                          | Description                   | Ref.                  | Valid from Serial N° |
|-----|-------------|--------|--------------------------------------|-------------------------------|-----------------------|----------------------|
| 1   | 76.0266     | *      | Verdrehsicherung                     | Locking device                |                       |                      |
| 2   | 1 701 3535  | OG3588 | Unterlegscheibe M5                   | Washer M5                     |                       |                      |
| 3   | 1 701 2579  | OG4020 | Sechskantschraube M5x16              | Hex bolt M5x16                |                       |                      |
| 4   | 76.2071     | OKT721 | Gelenkzapfen                         | Angle fitting                 |                       |                      |
| 5   | 76.3183.01  | OG3008 | Metallschlauch 420                   | Metal pipe 420                | PBOTxxS/Q/T D=1000    |                      |
|     | 76.3183.02  | OG3971 | Metallschlauch 320                   | Metal pipe 320                | PBOTxxS/Q/T D=800/900 |                      |
| 6   | 1 701 2579  | OG4020 | Sechskantschraube M5x16              | Hex bolt M5x16                |                       |                      |
| 7   | 1 701 3535  | OG3588 | Unterlegscheibe M5                   | Washer M5                     |                       |                      |
| 8   | 76.2072     | OT2683 | Rohrschelle D30                      | Pipe clamp D30                |                       |                      |
| 9   | 1 101 2086  | OG3156 | Kupferdichtung Ø24x16.2x2            | Copper sealing Ø24x16.2x2     |                       |                      |
| 10  | 76.4558.01  | OG3268 | Anschluss gebogen                    | Bended connection             |                       |                      |
| 11  | 76.2030.KD  | OG2723 | Sandvik-Kupplung                     | Sandvic-coupling              |                       |                      |
| 11a | 712 844253  | OG3856 | Klammer (1/2 Klammer)                | Bride (1/2 bride)             |                       |                      |
| 11b | 1 701 2516  | OT1795 | Sechskantschraube M6x25              | Hex bolt M6x25                |                       |                      |
| 11c | 712 0444490 | OK5556 | Dichtungsring                        | Sealing ring                  |                       |                      |
| 11d | 1 701 5007  | OG6058 | Federscheibe M6                      | Spring washer                 |                       |                      |
| 11e | 1 701 3016  | OG5739 | Sechskantmutter M6x8D                | Hex nut M6x8D                 |                       |                      |
| 12  | 76.2234.02  | OG6859 | Dampfleitung Rücklauf                | Steam return line             | PBOTxxS/Q; D=800/900  |                      |
|     | 76.2234.03  | OG6860 | Dampfleitung Rücklauf                | Steam return line             | PBOTxxS/Q; D=1000     |                      |
|     | 87.2242.01  | OG6857 | Dampfleitung Rücklauf; Handsteuerung | Steam return line; hand valve | PBOTxxT; D=900        |                      |
| 13  | 1 201 2035  | OKL247 | Rückschlagventil 3/4"                | Check valve 3/4"              |                       |                      |
| 14  | 76.4558.02  | OG3269 | Anschluss gerade                     | Straight connection           |                       |                      |
| 15  | TS 2.2827   | OG6023 | Anschluss Hauptleitung               | Mains supply connection       |                       |                      |
|     | 1 201 1813  | OG3817 | Kleber LOCTITE 577                   | Glue LOCTITE 577              |                       |                      |



| 15 | Alias         | Code   | Bezeichnung                             | Description                                    | Ref.    | Valid from Serial N° |
|----|---------------|--------|---|--|---------|----------------------|
| 1  | 879188.01     | *      | Steuerträger standard PxxT              | Support frame                                  |         |                      |
| 2  | 879015        | OG5908 | Motherboard COP20                       | Motherboard COP20                              |         |                      |
| 3  | 879191        | ???    | Jumper                                  | Jumper   |         |                      |
| 4  | 879190        | OG6638 | Jumper Core Temp                        | Jumper Core Temp                               |         |                      |
| 5  | 1 701 3057    | OU0182 | Sechskantmutter M3                      | Hexs nut M3                                    |         |                      |
| 6  | 1 701 3540    | OKI478 | Unterlegscheibe M3                      | Washer M3                                      |         |                      |
| 7  | 76.3011.03    | OG3094 | Distanzhalter 12mm                      | Spacer 12mm                                    |         |                      |
| 8  | 879036        | OG5910 | Transformator PMA 70VA 230V-12/24V      | Transformer PMA 70VA 230V-12/24V               |         |                      |
| 9  | 1 701 3502    | OG3595 | Unterlegscheibe M4                      | Washer M4                                      |         |                      |
| 10 | 1 701 3004    | OK4606 | Sechskantmutter M4                      | Hex nut M4                                     |         |                      |
| 11 | 76.9165.01    | OG2114 | Wendeschutz                             | Thermal overload relay                         | PBOTxxQ |                      |
| 12 | 76.9482       | OG3933 | Relais 12V                              | Relay 12V                                      | PBOTxxQ |                      |
| 13 | 75.2011.01    | OKT730 | Schutzleiterklemme 2.5-4mm <sup>2</sup> | Ground conductor terminal 2.5-4mm <sup>2</sup> |         |                      |
| 14 | 75.2010.10    | OKT734 | Reihenkleme grau                        | Terminal block grey                            |         |                      |
| 15 | 75.2010.11    | OKT733 | Nullleiterklemme blau                   | Neutral wire terminal blue                     |         |                      |
| 16 | 75.2010.14    | OG5735 | Querverbinder                           | Cross connection                               |         |                      |
| 17 | 75.2010.12    | OT2598 | Abschlusswand                           | Cover  |         |                      |
| 18 | 712 344362.01 | OG5814 | Sicherung 5x20 IAF                      | Fuse 5x20 IAF                                  |         |                      |
| 19 | 76.9527.01    | OG3940 | Sicherungsklemme 10mm <sup>2</sup>      | Fuse holder terminal 10mm <sup>2</sup>         |         |                      |
|    | 76.9527.02    | OG4585 | Abschlusswand zu Sicherungsklemme       | Cover for fuse holder terminal                 |         |                      |
| 20 | 75.2011.02    | OKT729 | Schutzleiterklemme 6-10mm <sup>2</sup>  | Ground conductor terminal 6-10mm <sup>2</sup>  |         |                      |
| 21 | 75.2013       | OKX290 | Arretierstück                           | Fixation                                       |         |                      |
| 22 | 75.2010.30    | OKT732 | Reihenkleme grau                        | Terminal block grey                            |         |                      |
| 23 | 75.2010.31    | OG3495 | Nullleiterklemme grün                   | Neutral wire terminal green                    |         |                      |
| 24 | 76.9011.01    | *      | Klemmschiene                            | Clamp rail                                     |         |                      |
|    | 76.9117.05    | OG5927 | Litze Haupterdraht                      | Litz wire earthing                             |         |                      |
|    | 879080        | OG5930 | Kabel: COP20 - Dampfventil              | Cabel: COP20 - steam valve                     |         |                      |
|    | 879037        | OG5923 | Kabel: N - Trafo - P                    | Cabel: N - Transformator - P                   |         |                      |
|    | 879077        | OG5924 | Kabel: N - Trafo - P (Notaus)           | Cabel: N - Transformator - P (emergency stop)  | PBOTxxQ |                      |
|    | 879082        | OG6862 | Kabel: Klemmen - Wendeschütz            | Cabel: Terminal - thermal overload relay       | PBOTxxQ |                      |
|    | 879064        | OG5953 | Kabel Rührwerk                          | Cabel stirrer                                  | PBOTxxQ |                      |



| 16 | Alias         | Code   | Bezeichnung                                   | Description   | Ref.   | Valid from Serial N° |
|----|---------------|--------|---|---|--------|----------------------|
|    | 87.9140.01    | OG6367 | Kippsteuerung kompl. 230-240V                 | Tilting control assembled 230-240V                    |        | 34010000             |
|    | 87.9140.06    | OG6864 | Kippsteuerung kompl. 440V                     | Tilting control assembled 440V                        | Marine | 50110000             |
|    | 76.9000.01.KD | OG6016 | Kippsteuerung kompl. xxT94                    | Tilting kontrol xxT94                                 |        |                      |
| 1  | 87.9116       | OG6266 | Kippsteuerung 7CA24VE1 SIR                    | Tilting control 7CA24VE1 SIR                          |        | 34010000             |
| 2  | 75.5000.05    | OG4212 | Distanzhalter                                 | Spacer  |        |                      |
| 3  | 87.9133       | *      | Halter Kippsteuerung                          | Support tilting control                               |        | 34010000             |
| 4  | 1 701 2567    | 0KE185 | Sechskantschraube M5x20                       | Hex bolt M5x20  |        |                      |
| 5  | 1 701 7002    | OG2923 | Fächerscheibe M5                              | Fan washer M5   |        |                      |
| 6  | 1 701 3008    | OG6111 | Sechskantmutter M5x0.8D                       | Hex nut M5x0.8D                                       |        |                      |
| 7  | 87.9121       | OG6273 | Transformator 230V AC                         | Transformer 230V AC                                   |        |                      |
|    | 87.9143       | OG6865 | Transformator 440V AC                         | Transformer 440V AC                                   | Marine |                      |
| 8  | 1 701 3502    | OG3595 | Unterlegscheibe M4                            | Washer  |        |                      |
| 9  | 1 701 5002    | 0KL273 | Federring M4                                  | Spring washer   |        |                      |
| 10 | 1 701 2023    | OG6863 | Zylinderschraube M4x12                        | Allen screw   |        |                      |
| 11 | 1 115 1783    | OG6228 | EMV Filter                                    | EMC filter  |        |                      |
|    | 87.9182       | OG6866 | Kabel: Trafo - Steuerelektronik (Filter)      | Cable: tranformer - tilt control (with EMC filter)    |        |                      |
|    | 87.9119       | OG6391 | Kabel: Trafo - Steuerelektronik (ohne Filter) | Cable: tranformer - tilt control (without EMC filter) | Marine |                      |
|    | 76.9123       | OG5919 | Kabel: Thermoelement - Motor                  | Cable: Thermocouple - motor                           |        |                      |
|    | 87.9089       | OG5932 | Kabel: X2 - Kippung                           | Cabel: X2 - tilting                                   |        |                      |
|    | 87.9083.01    | OG5931 | Kabel: X0 - X1 Hauptzuleitung                 | Cabel: X0 - X1 mains connection                       |        |                      |



| 17 | Alias         | Code                   | Bezeichnung                 | Description                    | Ref.               | Valid from Serial N° |
|----|---------------|------------------------|-----------------------------|--------------------------------|--------------------|----------------------|
| 1  | 72.4249       | <a href="#">059218</a> | Stellfuss 2" H200           | Adjustible feet 2" H200        | Standard + UL H700 |                      |
| 2  | 1 701 5004    | 0H9734                 | Federscheibe M5             | Spring washer M5               |                    |                      |
| 3  | 1 701 2509    | <a href="#">OK4598</a> | Sechskantschraube M5x12     | Hex bolt M5x12                 |                    |                      |
| 4  | 72.4250.01    | ???                    | Stellfuss 2" Marine H200    | Adjustible feet 2" Marine H200 | Marine             |                      |
| 5  | 72.4344       | <a href="#">OG2948</a> | Stellfuss 2" H100           | Adjustible feet 2" H100        | Standard H800      |                      |
| 6  | 1 201 1925    | ???                    | Abdeckkappe                 | Cover cap                      |                    |                      |
| 7  | 712 044961.17 | <a href="#">OKT854</a> | Kabeltülle Ø25 Ø31 Ø35 x 10 | Cable sleeve Ø25 Ø31 Ø35 x 10  |                    |                      |