

**TAVOLO REFRIGERATO PIZZA  
REFRIGERAT COUNTER PIZZA**

**PIZZA COUNTER**

Code	Avv. Type	Ref.	Page	Brand
291303	09 Pizza counter1930	a	2 3 4 5 6	zanussi / to brand
291305	10 Pizza counter 2400	b	2 3 4 5 6	zanussi / to brand
291321	11 Pizza counter 1780	c	2 3 4 5 6	zanussi / to brand
291323	09 Pizza counter 1780	d	2 3 4 5 6	zanussi / to brand
291325	11 Pizza counter 2180	e	2 3 4 5 6	zanussi / to brand
728138	Pizza counter 2400	f	2 3 4 5 6	alpeninox
728137	Pizza counter 2400	g	2 3 4 5 6	alpeninox
728135	Pizza counter1930	h	2 3 4 5 6	alpeninox
728136	Pizza counter1930	i	2 3 4 5 6	alpeninox
291301	09 Pizza counter1930	l	2 3 4 5 6	zanussi / to brand
<b>BENCH SPARE PARTS AVAILABLE UNTIL SERIAL NUMBER 81200001</b>				
291490	10 BENCH TYPE REFRIGERATED SHOW CASE 1780 MM	m	6 7 8	Multibrand
291491	09 BENCH TYPE REFRIGERATED SHOW CASE 2180 MM	n	6 7 8	Multibrand
291492	08 BENCH TYPE REFRIGERATED SHOW CASE 1930 MM	o	6 7 8	Multibrand

291493 10 BENCH TYPE REFRIGERATED SHOW CASE 2400 MM p  
6 7 8 Multibrand

**note:**

Su codici 291321 08 / 291323 08 / 291325 08 cambia il termostato da 0A8963 a 099551.

Su codici 291301 09 / 291303 10 / 291305 10 / 291221 11 / 291323 09 / 291325 11, nelle ripetitive vetrine refrigerate sono stati cambiati i termoregolatori da EWPC 901 a ID 961 con relativa sonda, e eliminazione del trasformatore. da ser.N°62700001

Da Serial N°62700001 vengono aggiornate e inseriti i codici 291490-291491-291492-291493

**notes:**

Codes 291321 08 / 291323 08 / 291325 08 change thermostat from 0A8963 to 099551

Codes 291301 09 / 291303 10 / 291305 10 / 291221 11 / 291323 09 / 291325 11, in the show case, change: thermoregulator from EWPC 901 to ID 961,probe, and to eliminate the voltage adaptor, from ser. N°62700001

From serial N° 62700001 the codes 291490-291491-291492-291493 are up date and instert in this SPC.

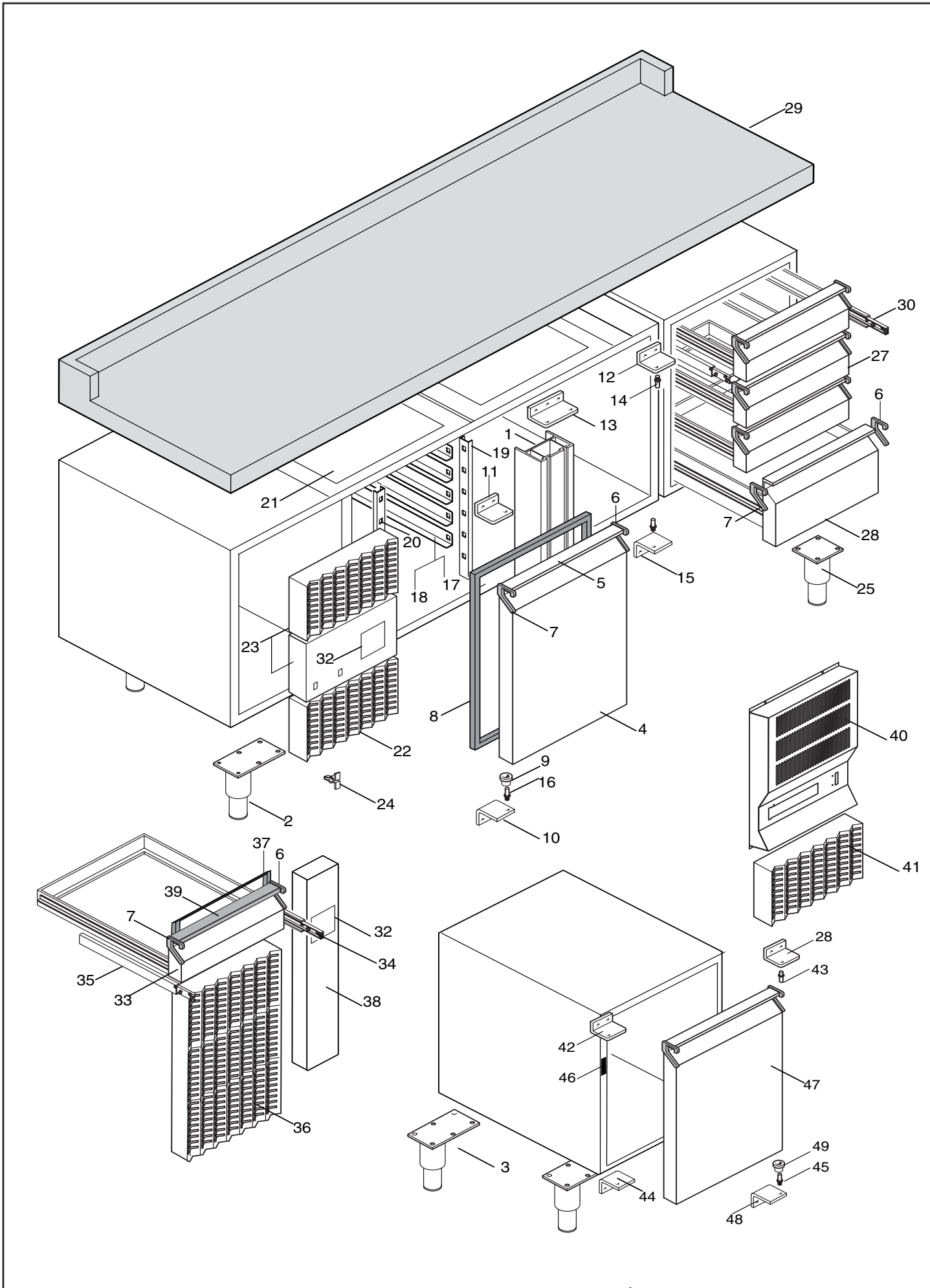
**Pag. Indice**

2	Tavolo
3	Lista ricambi
4	Gruppo refrigerante
5	Lista ricambi

**Index**

Counter
Spare parts list
Cooling unit
Spare parts list

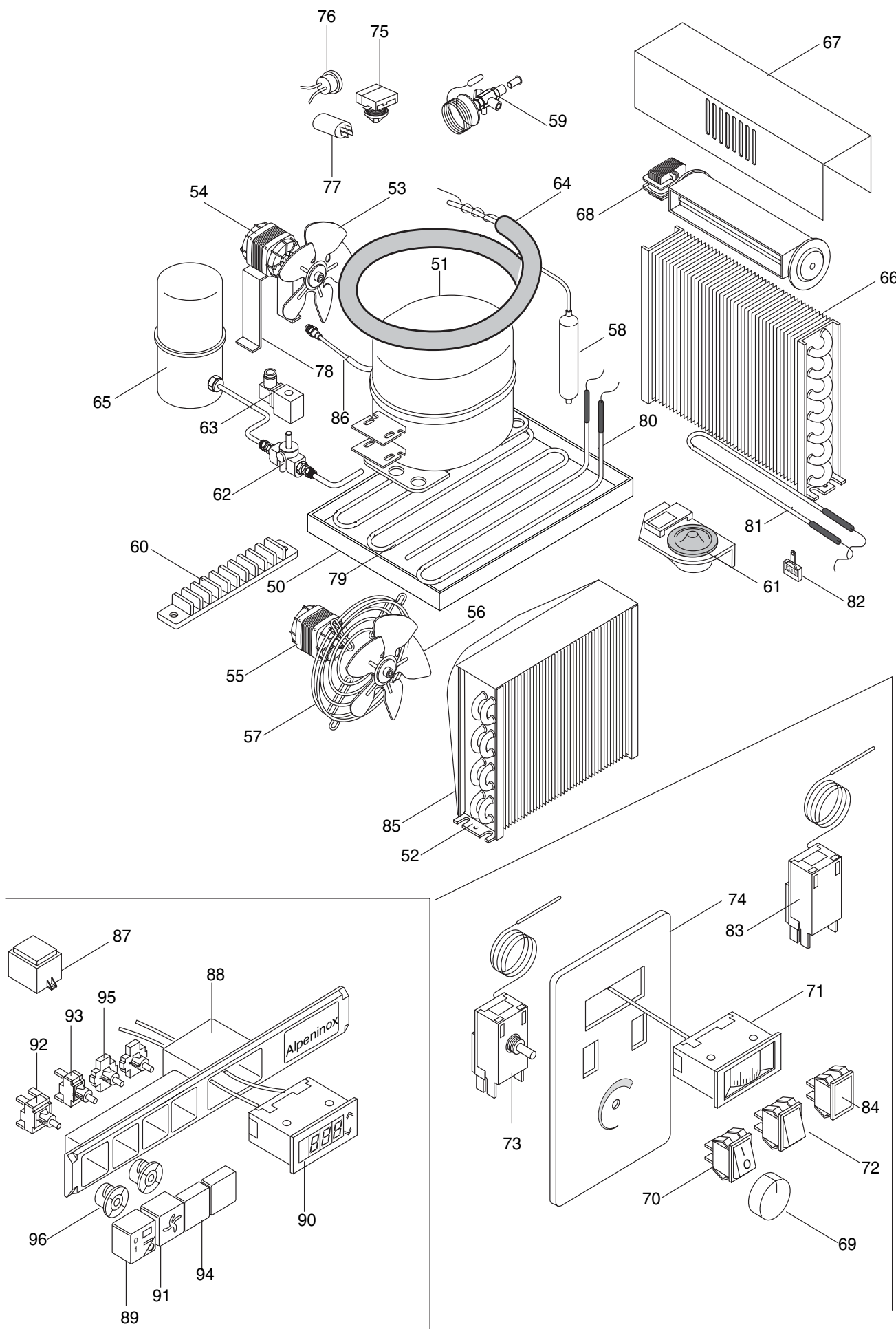
**Marchio / Brand:** Z-  
**Paese / Country:** Tutti / All



PNC	REF	PNC	REF	PNC	REF	PNC	REF	PNC	REF
291303	a	728135	h						
291305	b	291301	l						
291321	c	728136	i						
291323	d	291490	m						
291325	e	291491	n						
728138	f	291492	o						
728137	g	291493	p						

Pos	Code	Descrizione	Description	Ref. / Notes
1	099098	Montante verticale	Vertical support	
1	091190	Montante verticale	Vertical support	c,d
2	<b>083427</b>	<b>Piedino lato gruppo</b>	<b>Foot (cooling side)</b>	
3	087052	Piedino lato cassetiera e cassone	Foot (drawers side)	a,b,c,d,e,f,g,h,i,l
4	084302	Porta	Door	f,g,h,i
4	085257	Porta	Door	a,b,l
4	083340	Porta	Door	c,d,e
5	085258	Maniglia in plastica	Plastic handle	a,b,l
5	082726	Maniglia in plastica	Plastic handle	c,d
6	082727	Coprimaniglia dx	Right cover for handle	
7	082728	Coprimaniglia sx	Left cover for handle	
8	0A8992	Guarnizione porta	Door gasket	a,b,f,g,h,i,l
8	082725	Guarnizione porta	Door gasket	c,d,e
9	<a href="#">081807</a>	Boccola	Bush	
9	<a href="#">087955</a>	Boccola	Bush	c,d,e
10	0A8072	Cerniera inferiore dx/sx	Lower hinge right / left	a,b,f,g,h,i,l
10	082756	Cerniera inferiore dx/sx	Lower hinge right / left	c,d,e
11	088052	Cerniera superiore destra	Upper hinge (right)	a,b,f,g,h,i,l
11	087721	Cerniera superiore destra	Upper hinge (right)	c,d,e
12	088051	Cerniera superiore sinistra	Upper hinge (left)	a,b,f,g,h,i,l
12	082722	Cerniera superiore sinistra	Upper hinge (left)	c,d,e
13	088050	Cerniera superiore centrale	Upper hinge (central)	a,b,f,g,h,i,l
13	082754	Cerniera superiore centrale	Upper hinge (central)	c,d,e
14	<a href="#">082757</a>	Perno per cerniera	Pin for hinge	
15	0A8687	Cerniera inferiore destra e sinistra	Lower hinge (right and left)	
16	0A8689	Perno per cerniera inferiore	Lower pin for hinge	a,b,f,g,h,i,l
16	<a href="#">082757</a>	Perno per cerniera inferiore	Lower pin for hinge	c,d,e
17	0A8993	Guida destra	Right support	f,g,h,i,a,b,l
17	082720	Guida destra	Right support	c,d,e
18	0A8994	Guida sinistra	Left support	f,g,h,i,a,b,l
18	082719	Guida sinistra	Left support	c,d,e
19	087051	Creomaglieria dx/sx	Rack support left and right	a,b,f,g,h,i,l
19	0A8257	Creomaglieria dx/sx	Rack support left and right	c,d,e
20	087010	Creomaglieria posteriore dx/sx	Back rack support left and right	a,b,f,g,h,i,l
20	0A8258	Creomaglieria posteriore dx/sx	Back rack support left and right	c,d,e
21	088514	Pannello schiumato	Foam panel	
22	085260	Ass.griglia inferiore	Lower grid	a,b,l
23	085259	Ass .Cruscotto superiore	Ass. Upper panel	
24	<a href="#">053342</a>	Molla per marchio	Brand retainig spring	
25	<a href="#">048579</a>	Piedino	Foot	a,b,c,d,e,f,g,h,i,l
*	099099	Ass. cassetiera completa	Complete box drawers	a,b
*	<a href="#">099100</a>	Ass. cassetiera completa	Complete box drawers	c
*	<a href="#">099101</a>	Ass. cassetiera completa	Complete box drawers	d,e
*	091191	Ass. cassetiera completa	Complete box drawers	l
27	0A9795	Cassetti H87 40 x 60	Drawer H 85 40 x 60	f,g,h,i
27	087013	Cassetti H100	Drawer H100	a,b,l
27	<a href="#">087017</a>	Cassetti H100	Drawer H100	c,d,e
28	087014	Cassetto H205	Drawer H205	a,b,c,e,l
28	097796	Cassetto H264	Drawer H264	f,i
29	087005	Piano in marmo	Top	a,l
29	0A9798	Piano in marmo	Top	f,g
29	0A9799	Piano in marmo	Top	h,i
29	087069	Piano in marmo	Top	b
29	<a href="#">087011</a>	Piano in marmo	Top	c,d
29	<a href="#">087070</a>	Piano in marmo	Top	e

\* Componenti disponibili a richiesta / Component available upon request



PNC	REF	PNC	REF	PNC	REF	PNC	REF	PNC	REF
291303	a	728135	h						
291305	b	291301	l						
291321	c	728136	i						
291323	d	291490	m						
291325	e	291491	n						
728138	f	291492	o						
728137	g	291493	p						

Pos	Code	Descrizione	Description	Ref. / Notes
30	033152	Coppia di guide Dx/SX	Double guide left and right	a,b,f,g,h,i,l
30	033165	Coppia di guide Dx/SX	Double guide left and right	c,d,e
32	082738	Profilo in plastica	Frame	c,d,e
33	085261	Cassetto vano motore	Drawers	c,d,e
33	083036	Cassetto vano motore	Drawers	f,g,h,i,l
34	099104	Guida scorrevole sx	Left sliding guide for drawers	c,d,e
35	099105	Guida scorrevole dx	Right sliding guide for drawers	c,d,e
36	083342	Pannello copri gruppo	Cooling panel	c,d,e
37	082740	Guarnizione cass. vano motore	Gascket	c,d,e
38	083343	Cruscotto comandi	Comand panel	c,d,e
39	082741	Maniglia in plastica	Plastic profile	c,d,e
40	082781	Cruscotto superiore	Upper Panel	f,g,h
41	0A8746	Cruscotto inferiore	Lower panel	f,g,h
42	087038	Cerniera superiore	Upper hinge	f,g,h
43	082757	Perno per cerniera	Pin for hinge	f,g,h
44	087039	Cerniera inferiore sx-dx	Lower hinge (right or left)	f,g,h
45	0A8689	Perno per cerniera inferiore	Pin for lower hinge	f,g,h
46	084220	Magnete per chiusura	Lock magnet	f,g,h
47	0A9797	Porta	Door	f,g,h
48	0A8072	Cerniera inferiore	Lower hinge	f,g,h
49	081807	Boccola per cerniera	Bush for hinge	f,g,h
*	082729	Griglia	Rack	c,d,e
		<b>PAGE 4</b>	<b>PAGE 4</b>	
*	087047	Ass. completo gruppo	Completly cooling unit	a,b,l
*	084170	Ass. completo gruppo	Completly cooling unit	c,d,e
50	0A8770	Ass. bacinella raccolta condensa	Basin	a,b,f,g,h,i,l
50	083014	Ass. bacinella raccolta condensa	Basin	c,d,e
51	083718	Compressore	Compressor	a,b,f,g,h,i,l
51	083752	Compressore	Compressor	c,d,e
52	082229	Condensatore	Condenser	
53	082230	Ventola	Fan	
54	085674	Ventilatore	Motor ventilator	
55	0A9350	Ventilatore	Motor ventilator	
56	082874	Ventola	Fan	
57	083157	Protezione ventola	Fan protection	
58	084078	Filtro deidratore	Dheidrator filter	
59	0A8171	Valvola termostatica	Thermostatic valve	
60	082125	Morsettiera	Clamp	a,b,f,g,h,i,l
60	082171	Morsettiera	Clamp	c,d,e
61	081983	Timer	Timer	
62	082768	Corpo valvola	Body valve	a,b,f,g,h,i,l
63	083386	Bobina	Coil	a,b,f,g,h,i,l
64	0A9318	Ass. scambiatore	Heating exchanger	a,b,f,g,h,i,l
64	087262	Ass. scambiatore	Heating exchanger	c,d,e
65	0A8063	Boccia di espansione	Container for liquid	c,d,e,f,g,h,i
65	0A8731	Boccia di espansione	Container for liquid	c,d,e
66	0A8745	Evaporatore	Evaporator	a,b,f,g,h,i,l
66	082732	Evaporatore	Evaporator	c,d,e
67	0A9607	Protezione ventilatore	Protection fan	
68	081795	Ventilatore tangenziale	Tangential ventilator	a,b,f,g,h,i,l
68	082730	Ventilatore tangenziale	Tangential ventilator	c,d,e
69	082770	Manopola	Handle grip	
70	082390	Interuttore on off	Switch on off	
71	083101	Termometro	Thermometer	
72	082486	Interuttore verde	Green switch	

\* Componenti disponibili a richiesta / Component available upon request

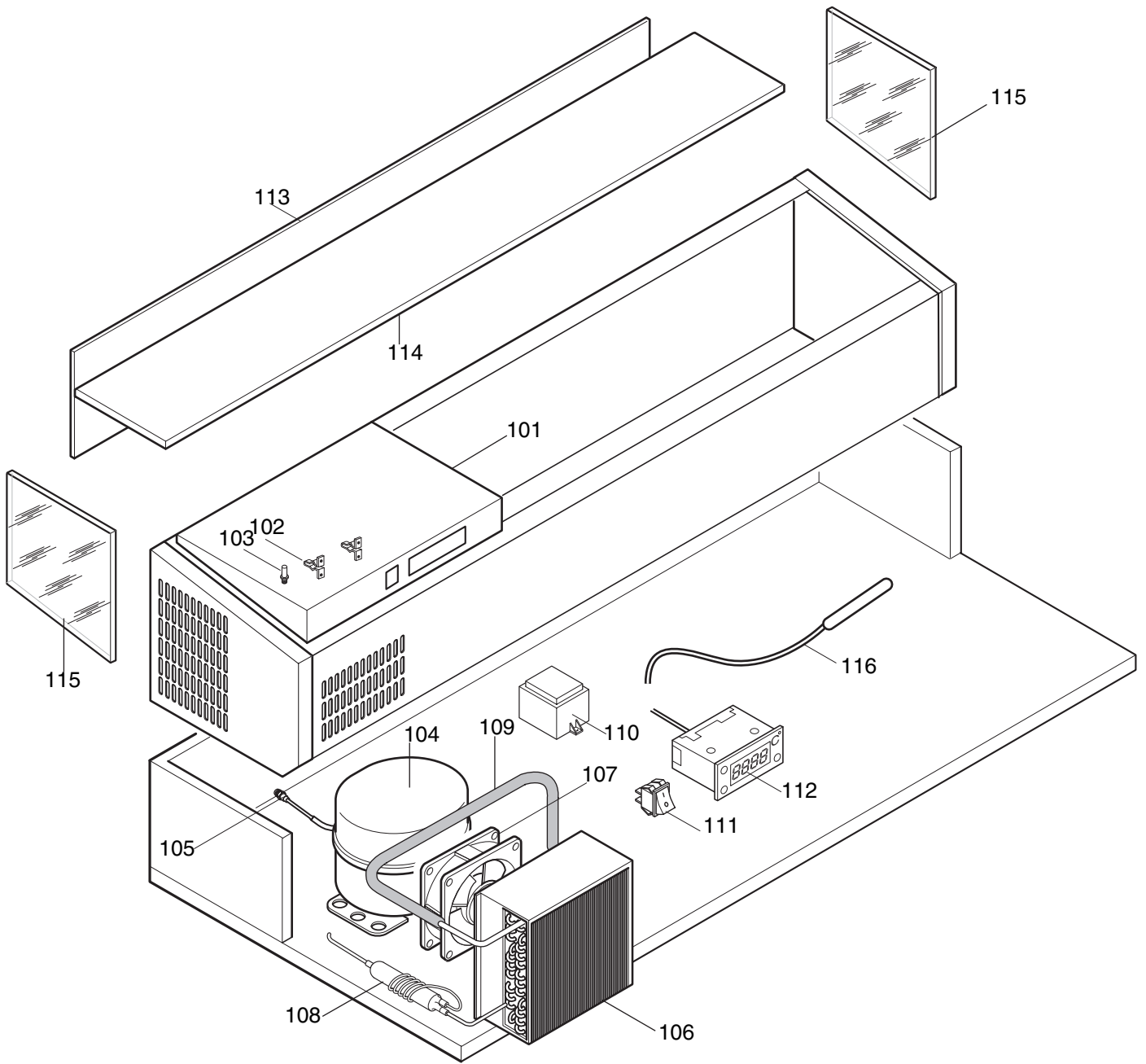
Da Ser. Nr. / From ser. nr.: / .001...

Page:5

Ed.02-2004

**Doc. Nr.:504000**

Ed. up date 08 \ 2006



PNC	REF	PNC	REF	PNC	REF	PNC	REF	PNC	REF
291303	a	728135	h						
291305	b	291301	l						
291321	c	728136	i						
291323	d	291490	m						
291325	e	291491	n						
728138	f	291492	o						
728137	g	291493	p						

Pos	Code	Descrizione	Description	Ref. / Notes
73	081689	Termostato K55	Thermostat K55	a,b,c,l,d
74	099106	Adesivo cruscotto	Sticker	a,b,l
74	082735	Adesivo cruscotto	Sticker	c,d,e
75	081756	Rele`	Relay	a,b,c,l,d
76	081870	Protettore	Protector for compressor	a,b,l
76	083752	Protettore	Protector for compressor	c,d,e
77	0A8764	Condensatore di spunto	Start capacitor	a,b,c,e,l,d
78	082150	Staffa per ventilatore	Support for motor ventilator	
79	*	Serpentina di evaporazione condensa	Hot gas tube	art. 515726200
80	082731	Resistenza per bacinella condensa	Heating element for basin	c,d,e
81	082733	Resistenza per evaporatore	Heating element for evaporator	c,d,e
82	0a8707	Termostato di sicurezza	Safety thermostat	c,d,e
83	0A8963	Termostato per sbrinamento k36	Thermostat for defrost k36	c,d,e until to ser.N°51800001
83	099551	Termostato per sbrinamento k22	Thermostat for defrost k22	c,d,e from to ser.N°51800001
84	082876	Spia per defrost	Light for defrost	c,d,e
85	0A8778	Convogliatore	Conveyor	
86	0A8171	Valvola di ricarica	Valve for compressor	
87	083833	Trasformatore	Voltage adaptor	f,g,h,i
88	0A8881	Mostrina comandi	Commands support	f,g,h,i
89	0A8691	Tasto nero	Black button	f,g,h,i
90	085687	Termoregolatore	Thermoregulator	f,g,h,i
91	0A8747	Tasto ventola	Fan button	f,g,h,i
92	0A8754	Interuttore on off	Swich on off	f,g,h,i
93	0A8274	Interuttore ventola	Fan swich	f,g,h,i
94	083049	Pulsante cieco	Fix button	f,g,h,i
95	083050	Supporto tasto fisso	Fix button support	f,g,h,i
96	087253	Camme	Cam for button	f,g,h,i
		<b>Pagina 6</b>	<b>Page 6</b>	
*	087535	Ass. vetrina refrigerata	Completly show case	a,h,i,l,o
*	0A9794	Ass. vetrina refrigerata	Completly show case	f,g
*	087537	Ass. vetrina refrigerata	Completly show case	c,d,m
*	087539	Ass. vetrina refrigerata	Completly show case	b,p
*	087538	Ass. vetrina refrigerata	Completly show case	e,n
*	087007	Ass.Gruppo refrigerante	Completly cooling	
*	*	Ass. vetri	Completly glass	Art. 879754600 - a,l
*	*	Ass. vetri	Completly glass	Art. 879754800 - b
*	*	Ass. vetri	Completly glass	Art. 879754500 - c,d
*	*	Ass. vetri	Completly glass	Art. 879791800 -f,g
*	*	Ass. vetri	Completly glass	Art. 879791600 -h,i
101	087015	Cruscotto comandi	Comand panel	a,h,i,l,o
101	087049	Cruscotto comandi	Comand panel	b,f,g,p
101	087048	Cruscotto comandi	Comand panel	c,d,m
101	087050	Cruscotto comandi	Comand panel	e,n
102	053342	Molla arresto marchio	Brand retainig spring	
103	050168	Perno per pannello laterale sx	Pin for left side panel	
104	085876	Compressore	Compressor	
105	0A8171	Valvola per compressore	Discharge/charge valve for compress.	
106	087008	Condensatore	Condenser	
107	0A9640	Ventilatore	Motor ventilator	
108	085886	Filtro deidratore	Dehidrator filter	
109	087009	Ass. scambiatore	Heating exchanger	
110	083833	Trasformatore	Voltage adaptor	until to ser.N°627000..
111	085634	Interuttore	Swich	
112	085946	Termoregolatore EWPC	Thermoregulator EWPC	until to ser.N° 6270000..
112	091192	Termoregolatore ID961	Thermoregulator ID961	from to ser.N° 6270000..

\* Componenti disponibili a richiesta / Component available upon request

Da Ser. Nr. / From ser. nr.: / .001...	Page:7	Ed.02-2004	<b>Doc. Nr.:504000</b>
--	--------	------------	------------------------

PNC	REF	PNC	REF	PNC	REF	PNC	REF	PNC	REF
291303	a	728135	h						
291305	b	291301	l						
291321	c	728136	i						
291323	d								
291325	e								
728138	f								
728137	g								

Pos	Code	Descrizione	Description	Ref. / Notes
113	087022	Vetro anteriore	Front glass	a,l
113	087036	Vetro anteriore	Front glass	b
113	087019	Vetro anteriore	Front glass	c,d
113	087045	Vetro anteriore	Front glass	e
113	0A9801	Vetro anteriore	Front glass	f,g
113	0A9800	Vetro anteriore	Front glass	h,i
114	087023	Vetro Superiore	Upper Glass	a,l
114	087037	Vetro Superiore	Upper Glass	b
114	087020	Vetro Superiore	Upper Glass	c,d
114	087046	Vetro Superiore	Upper Glass	e
115	087021	Vetro laterale	Side glass	a,b,c,d,e,,l
115	0A9759	Vetro laterale	Side glass	f,g,h,i
116	099657	Sonda per termogolatore ID961	Probe for termoregulator ID961	from ser.N° 6270000..
*	085250	Reggi cristallo	Support glass	
*	085248	Supporto a 2 vie	Support with two hole	
*	085249	supporto con 3 vie	Suppo with three	

\* Componenti disponibili a richiesta / Component available upon request

Da Ser. Nr. / From ser. nr.: / .001...

Page:8

Ed.02-2004

**Doc. Nr.:504000**