

**DE  
EN**
**PUET-E/K  
PUET-E/K**

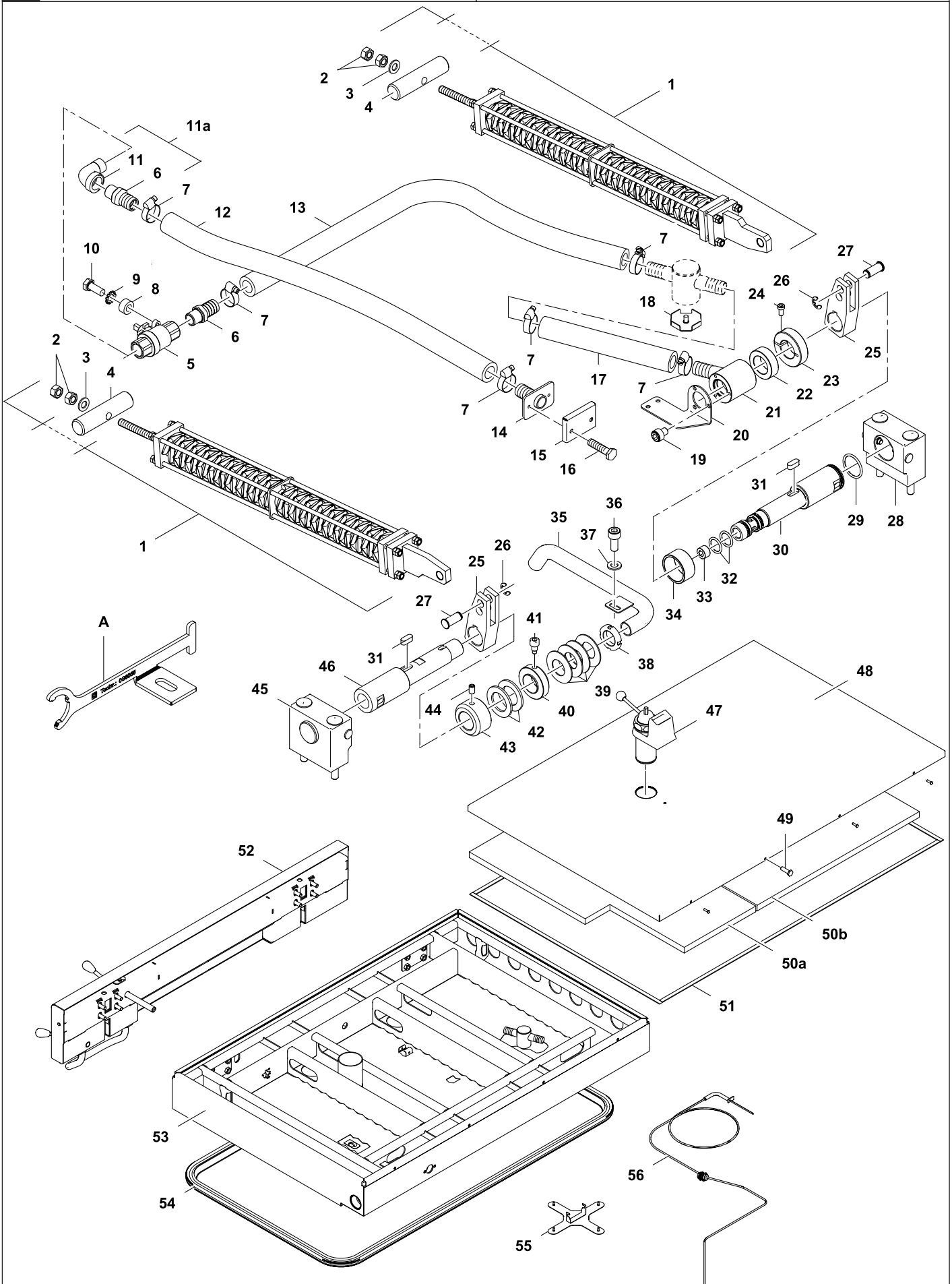
 KIPP-DRUCKGARBRAISIÈRE ELEKTRISCH, RECHTECKIG  
 TILTING PRESSURE BRAISING PAN, ELECTRIC, RECTANGULAR

| Page | Baugruppe                      | Assembly group           | Models   |
|------|--------------------------------|--------------------------|----------|
| 2    | Druckdeckel                    | Pressure Lid             | PUET-E/K |
| 4    | Deckelverschluss               | Lid lock                 | PUET-E/K |
| 6    | Deckelventil                   | Lid valve                | PUET-E/K |
| 8    | Deckelbefestigung              | Lid support              | PUET-E/K |
| 9    | Auslaufhahn                    | Drain Tap                | PUET-E/K |
| 10   | Achse                          | Shaft                    | PUET-E/K |
| 12   | Kippfront                      | Titing panel             | PUET-E/K |
| 13   | Kippung                        | Tilting system           | PUET-E/K |
| 14   | Steuerfront                    | Control panel            | PUET-E/K |
| 16   | Steuerung                      | Contropl system          | PUET-E/K |
| 18   | Steuerung Kippmotor            | Tilting control          | PUET-E/K |
| 20   | Tiegel                         | Pan                      | PUET-E/K |
| 22   | Dampfkondensation              | Steam condensation       | PUET-E/K |
| 24   | Mischbatterie KWC              | Mixer tap KWC            | PUET-E/K |
| 26   | Spraygun                       | Spray gun                | PUET-E/K |
| 28   | Mikroendschalter und Begrenzer | Micro switch and Liniter | PUET-E/K |
| 29   | Füße                           | Feet                     | PUET-E/K |

Valid from Ser. № 3401 . . . .

 Last Updates  
 Ed. 01/2015

 Page  
 all

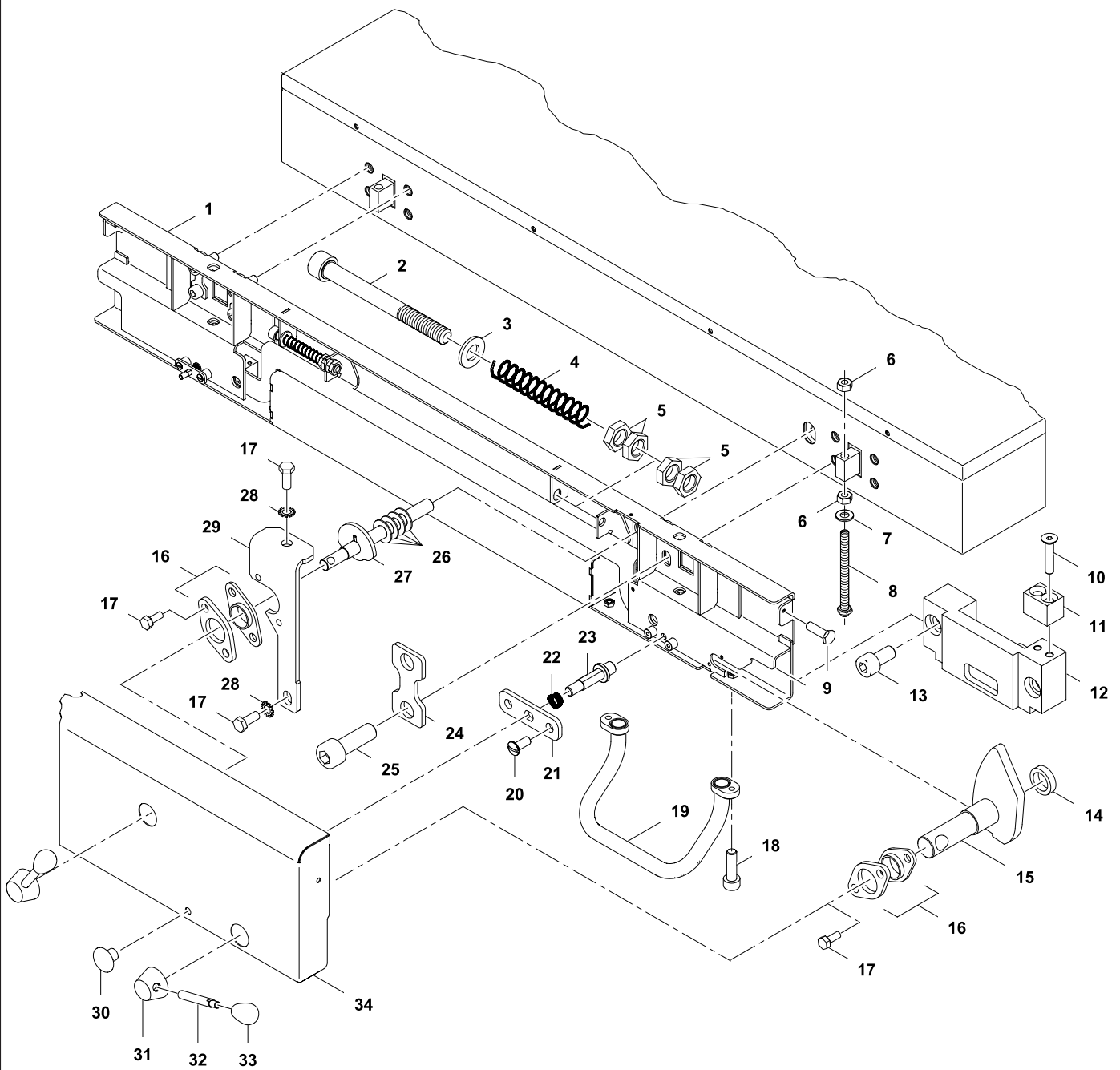


|     | Alias                 | Code             | Bezeichnung  | Description  | Ref.                 | Valid from Serial N° |
|-----|-----------------------|------------------|--|--|----------------------|----------------------|
| A   | 870047                | OG6055           | SV-und Bremsinstellschlüssel                                 | Slotted nut wrench   |                      |                      |
| 1   | 87.5210_KD<br>76.3328 | OG6432<br>OG3937 | Federpaket ohne Pos. 3 und 4<br>Federpaket ohne Pos. 3 und 4 | Spring kit without Pos. 3 and 4<br>Spring kit without Pos. 3 and 4 | 100L/170L<br>60L/90L |                      |
| 2   | 1 701 3027            | OT1781           | Mutter M10   | Nut M10  |                      |                      |
| 3   | 1 701 3542            |                  | Unterlegscheibe M10  | Washer M10   |                      |                      |
| 4   | 86.5354               |                  | Gelenkwelle  | Joint shaft  |                      |                      |
| 5   | 86.5409               |                  | Kugelhahn 1/2 Kohler R-621                                   | Ball valve 1/2 Kohler R-621  |                      |                      |
| 6   | 1 116 1212            |                  | Schlauchnippel R-144 1/2"-20mm                               | Hose nipple R-144 1/2"-20mm  |                      |                      |
| 7   | 1 103 1170            | OK4550           | Schlauchklemme Gr. 1   | Hose clamp   |                      |                      |
| 8   | 1 701 1142            |                  | Distanzhülse   | Spacer   |                      |                      |
| 9   | 1 701 7002            | OG2923           | Fächerscheibe M5   | Fan wafer M5   |                      |                      |
| 10  | 1 701 2509            | OK4598           | Schraube 6kt M5 x 12   | Hex bolt M5x12   |                      |                      |
| 11  | 1 101 2162            | OG6161           | Einschraubwinkel 1/2"  | L connector  |                      |                      |
| 11a | 87.5151               |                  | Einschraubwinkel 1/2" mit Schlauchanschluss                  | L connector with hose nipple                                       |                      |                      |
| 12  | 1 701 1140.04         |                  | Dampfschlauch  | Steam hose   | 60L/90L              |                      |
|     | 1 701 1140.07         |                  | Dampfschlauch  | Steam hose   | 100L/170L            |                      |
| 13  | 1 701 1140.03         |                  | Dampfschlauch  | Steam hose   | 60L/90L              |                      |
|     | 1 701 1140.06         |                  | Dampfschaluch  | Steam hose   | 100L/170L            |                      |
| 14  | 86.5416               |                  | Stutzen  | T joint with hose nipple   |                      |                      |
| 15  | 86.5417               |                  | Ableitkappe  | Derivation cover   |                      |                      |
| 16  | 75.5006.01            | OG5143           | Schraube 6kt M5 x 20 USPH                                    | Hex bolt M5x20 USPH  |                      |                      |
| 17  | 1 701 1140.01         | OG6811           | Dampfschlauch ø19 x ø31 x 205                                | Steam hose ø19 x ø31 x 205   |                      |                      |
| 18  | 86.5332               | OG6431           | Schikane   | Baffle   |                      |                      |
| 19  | 1 101 8199            |                  | Schraube Zyl. I-6kt M5 x 6                                   | Allen screw M5 x 6   |                      |                      |
| 20  | 87.5080               |                  | Supportplatte - Dampfkupplung                                | Support - steam coupling   |                      |                      |
| 21  | 86.5349               |                  | Dampfkupplung  | Steam coupling   |                      |                      |
| 22  | 86.5351               |                  | Unterlage links  | ???  |                      |                      |
| 23  | 1 201 2187            |                  | Geschlitzte Stellringe                                       | Adjustment ring  |                      |                      |
| 24  | 1 101 8161            | OG5812           | Schraube I-6kt M6x12   | Allen screw M6x12  |                      |                      |
| 25  | 86.5364               | OG6291           | Federhebel   | Spring support   |                      |                      |
| 26  | 1 701 2775            | OG6243           | Sicherungsscheibe d=10...14mm                                | Locking washer   |                      |                      |
| 27  | 76.3264               |                  | Lagerbolzen  | Bearing pin  |                      |                      |
| 28  | 87.5018               | *                | Lagerklotz links   | Bearing support, left  | Standard/Marine      |                      |
|     | 87.5161.04            | *                | Lagerklotz links mit Sicherheitsventil UL                    | Bearing support, left with safety valve                            | UL                   |                      |
| 29  | 1 201 2191            | OG6731           | O-Ring ø3.5 x Ø32.00 / Ø38.00                                | O-ring ø3.5 x Ø32.00 / Ø38.00                                      |                      |                      |
| 30  | 86.5360               |                  | Lagerwelle links   | Bearing shaft left   |                      |                      |
| 31  | 1 701 7099            | OG5985           | Keil Feder. 8 x 7 x 20 Typ A                                 | Feather key 8 x 7 x 20 Typ A                                       |                      |                      |
| 32  | 1 201 2193            |                  | O-Ring ø3.00 x Ø19.00 / Ø25.00                               | O-ring ø3.00 x Ø19.00 / Ø25.00                                     |                      |                      |
| 33  | 1 101 3903            |                  | Verschlusschraube SO 40371-3/8"                              | Locking screw SO 40371-3/8"  |                      |                      |
| 34  | 86.5350               |                  | Unterlage rechts   | ???  |                      |                      |
| 35  | 86.5451               |                  | Rohr für Sensorkabel kpl.                                    | Pipe for sensor cable  |                      |                      |
| 36  | 1 101 8123            | OG3849           | Schraube I 6kt M5 x 12                                       | Allen screw M5 x 12  |                      |                      |
| 37  | 1 701 3535            | OG3588           | Unterlegscheibe M5   | Washer M5  |                      |                      |
| 38  | 1 701 1133            | OG6290           | Nutmutter M25x1.5 / Ø38                                      | Slotted nut  |                      |                      |
| 39  | 1 201 2104            | OG6289           | Tellerfeder  | Belleville spring  |                      |                      |
| 40  | 86.5347               | OG6288           | Unterlage rechts - Reibbelagring                             | ???  |                      |                      |
| 41  | 86.5368               | OG6292           | Schraube I 6kt M8 x 16 bearbeitet                            | Allen screw M8 x 16 reworked                                       |                      |                      |
| 42  | 1 701 2772            | OG6286           | Reibbelagring  | Friction disc  |                      |                      |
| 43  | 86.5346               | OG6287           | Unterlage links - Reibbelagring                              | ???  |                      |                      |
| 44  | 1 701 7094            | OG4248           | Gew.-Stift I6kt M8 x 12                                      | Allen set screw M8 x 12  |                      |                      |
| 45  | 87.5019               | *                | Lagerklotz rechts  | Bearing support, right   |                      |                      |
| 46  | 86.5361               |                  | Lagerwelle rechts  | Bearing shaft right  |                      |                      |
| 47  | 86.5150               | OG5442           | Deckelventil kpl. DV3  | Lid valve  |                      |                      |
| 48  | 87.5013.01            |                  | Verschaltung Druckdeckel Oben                                | Cover pressure lid   | 60L/90L              |                      |
|     | 87.5013.02            |                  | Verschaltung Druckdeckel Oben                                | Cover pressure lid   | 100L/170L            |                      |
| 49  | 75.5006.06            |                  | Schraube 6kt M5 x 16 USPH                                    | Hex bolt M5 x 16 USPH  |                      |                      |
| 50  | 87.5104.01            |                  | Isolation  | Insulation   |                      |                      |
| 50b | 87.5104.02            |                  | Isolation  | Insulation   | 100L/170L            |                      |
| 51  | 1 701 7550            | OG4894           | Dichtband APENFIX 12 x 2                                     | Sealing strip APENFIX 12 x 2                                       |                      |                      |
| 52  | 86.5401.03            |                  | Verschluss   | Lid lock   | 60L/90L              |                      |
|     | 86.5401.04            |                  | Verschluss   | Lid lock   | 100L/170L            |                      |
| 53  | 87.5001.01            |                  | Chassis  | Chassis  | 60L/90L              |                      |
|     | 87.5001.02            |                  | Chassis  | Chassis  | 100L/170L            |                      |
| 54  | 718 034000.02         | OK5570           | Lippendichtung   | Lip seal   |                      |                      |
|     | 718 034000.03         | OK5571           | Lippendichtung   | Lip seal   |                      |                      |
| 55  | 86.5379               | OG6430           | Dampfschikane  | Steam baffle   |                      |                      |
| 56  | 879047                | OG5937           | Kerntemperaturmesser M16.5x1.5                               | Sensor TC Core Temp M16.5x1.5                                      | PUETxxK /Marine/ UL  |                      |

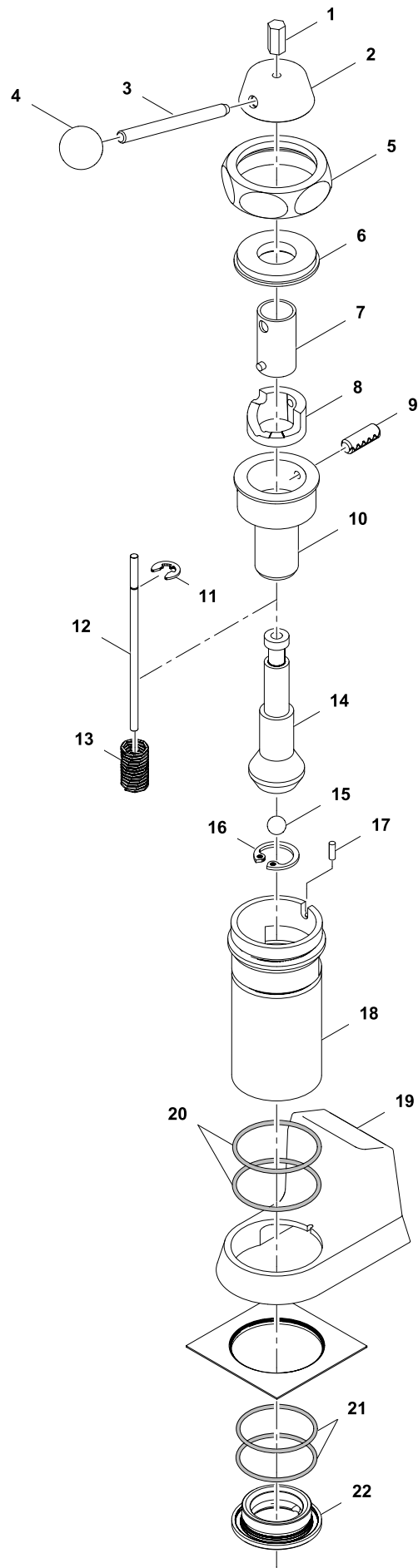
\* Components on demand  
\* Teile auf Anfrage

Doc. № 87.8030.02

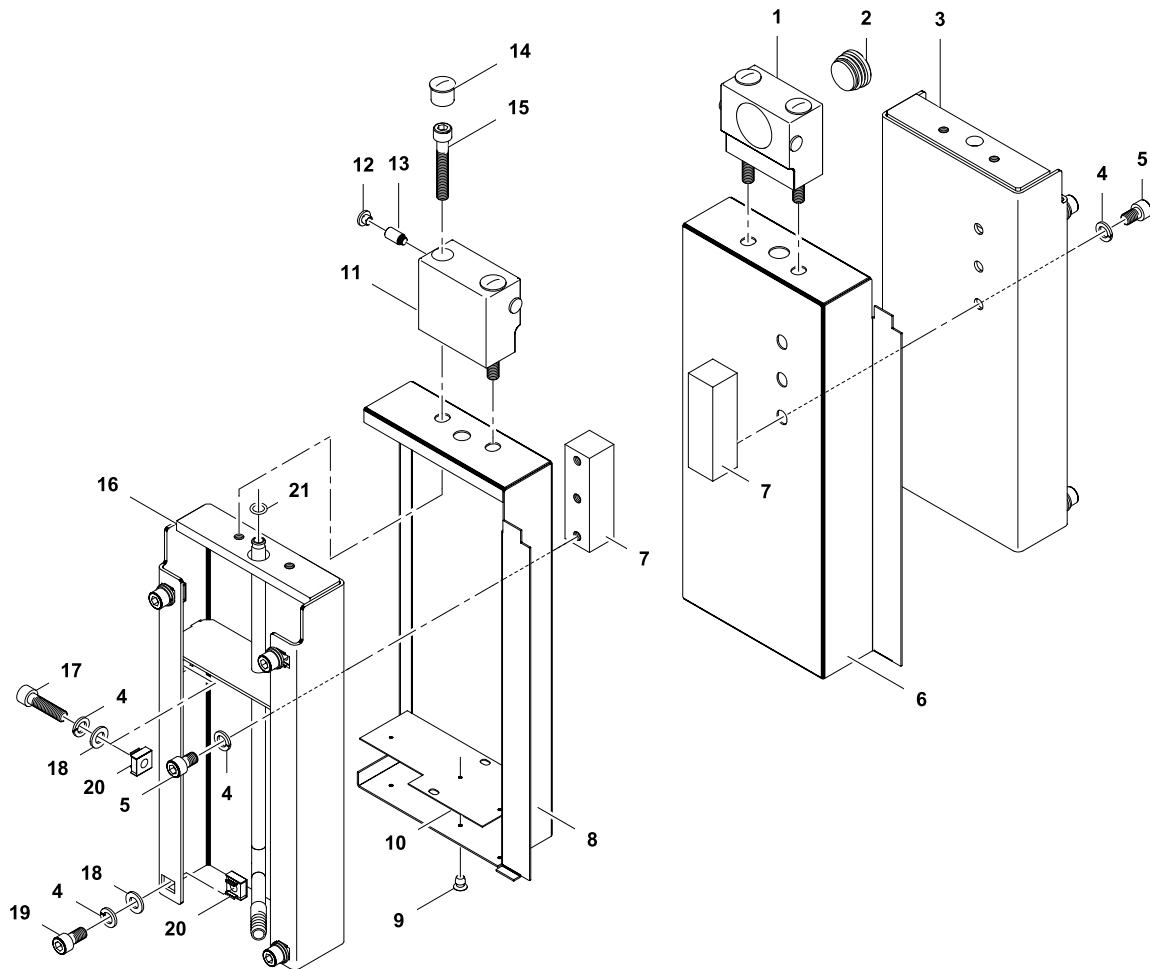
Page: 3



| 2  | Alias      | Code   | Bezeichnung                 | Description               | Ref.      | Valid from Serial N° |
|----|------------|--------|-----------------------------|---------------------------|-----------|----------------------|
| 1  | 86.5402.03 | *      | Support Verschluss          | Support closure           | 60L/90L   |                      |
|    | 86.5402.04 | *      | Support Verschluss          | Support closure           | 100L/170L |                      |
| 2  | 1 701 2086 | ???    | Schraube Zyl. I-6kt M10x100 | Allen screw M10x100       |           |                      |
| 3  | 1 701 3516 | 0T5917 | U-Scheibe ø10.5 x Ø20 x 2   | Washer ø10.5 x Ø20 x 2    |           |                      |
| 4  | 86.5189    | 0G5431 | Druckfeder 58/4/4           | Compression spring 58/4/4 |           |                      |
| 5  | 1 701 3055 | ???    | Mutter 6kt M10 x 0,5D       | Hex nut M10 x 0,5D        |           |                      |
| 6  | 1 701 3044 | 0K4612 | Mutter 6kt M8 x 0.8D        | Hex nut M8 x 0.8D         |           |                      |
| 7  | 1 701 3516 | 0T5917 | Unterlegscheibe M8          |                           |           |                      |
| 8  | 87.5108    |        | Gewindestift mit Mutter     | Threaded pit with nut     |           |                      |
| 9  | 75.5006.06 | 0G5515 | Schraube 6kt M5 x 16 USPH   | Hex bolt M5 x 16 USPH     |           |                      |
| 10 | 1 701 1072 | 0G6833 | Schraube Senk M5 x 25       | Countersunk screw M5 x 25 |           |                      |
| 11 | 86.5187    | 0G5429 | Bronze - Klotz              | Bronze - block            |           |                      |
| 12 | 87.5042    | ???    | Riegel                      | Locking                   |           |                      |
| 13 | 1 701 2083 | 0G5437 | Schraube I-6kt M8 x 16      | Allen screw M8 x 16       |           |                      |
| 14 | 86.5389    | 0G6387 | Gleitlager Schließer        | Sliding bearing           |           |                      |
| 15 | 86.5168    | 0G6637 | Schließer                   | Lid locking               |           |                      |
| 16 | 86.5172    | 0G5317 | Lager - Schließer           | Bearing for locking       |           |                      |
| 17 | 1 701 2507 | 0G4653 | Schraube 6kt M5 x 10        | Hex bolt M5 x 10          |           |                      |
| 18 | 1 101 8040 | 0K4493 | Schraube I-6kt M6 x 20      | Allen screw M6 x 20       |           |                      |
| 19 | 86.5093    | 0G5443 | Bügelgriff                  | Handle                    |           |                      |
| 20 | 10 3179    | 0G4216 | Flackkopf-Sch. M5x12        | Fat head screw M5x12      |           |                      |
| 21 | 86.5190    | 0G5293 | Lagerplatte                 | Bearing plate             |           |                      |
| 22 | 86.5192    | 0G6577 | Druckfeder 51/6/1           | Compression spring 51/6/1 |           |                      |
| 23 | 86.5191    | 0G5432 | Achse                       | Axis                      |           |                      |
| 24 | 86.2611    | ???    | U-Scheibe spez. TUET-DD     | Special washer TUET-DD    |           |                      |
| 25 | 1 101 8134 | 0G6087 | Schraube I-6kt M10 x 30     | Allen screw M10 x 30      |           |                      |
| 26 | 74.0148    | 0G3733 | Scheibe 16 x 30 x 1,5       | Washer 16 x 30 x 1,5      |           |                      |
| 27 | 86.5411    | 0G6409 | Welle Sicherheitsventil     | Shaft                     |           |                      |
| 28 | 1 701 7002 | 0G2923 | Fächerscheibe M5            | Fan washer M5             |           |                      |
| 29 | 86.5412    | *      | Gleitlagersupport           | Sliding bearing support   |           |                      |
| 30 | 1 701 2810 | *      | Griff I.150/30-M6           | Handle 150/30-M6          |           |                      |
| 31 | 86.5120    | 0G5297 | Griffnabe                   | Handle hub                |           |                      |
| 32 | 86.5119    | 0G5298 | Griffbolzen                 | Handle bolt               |           |                      |
| 33 | 1 701 2811 | 0G5299 | Griff I.122/40-M8           | Handle 122/40-M8          |           |                      |
| 34 | 86.5403.03 | *      | Front Verschluss            | Front closure             | 60L/90L   |                      |
|    | 86.5403.04 | *      | Front Verschluss            | Front closure             | 100L/170L |                      |

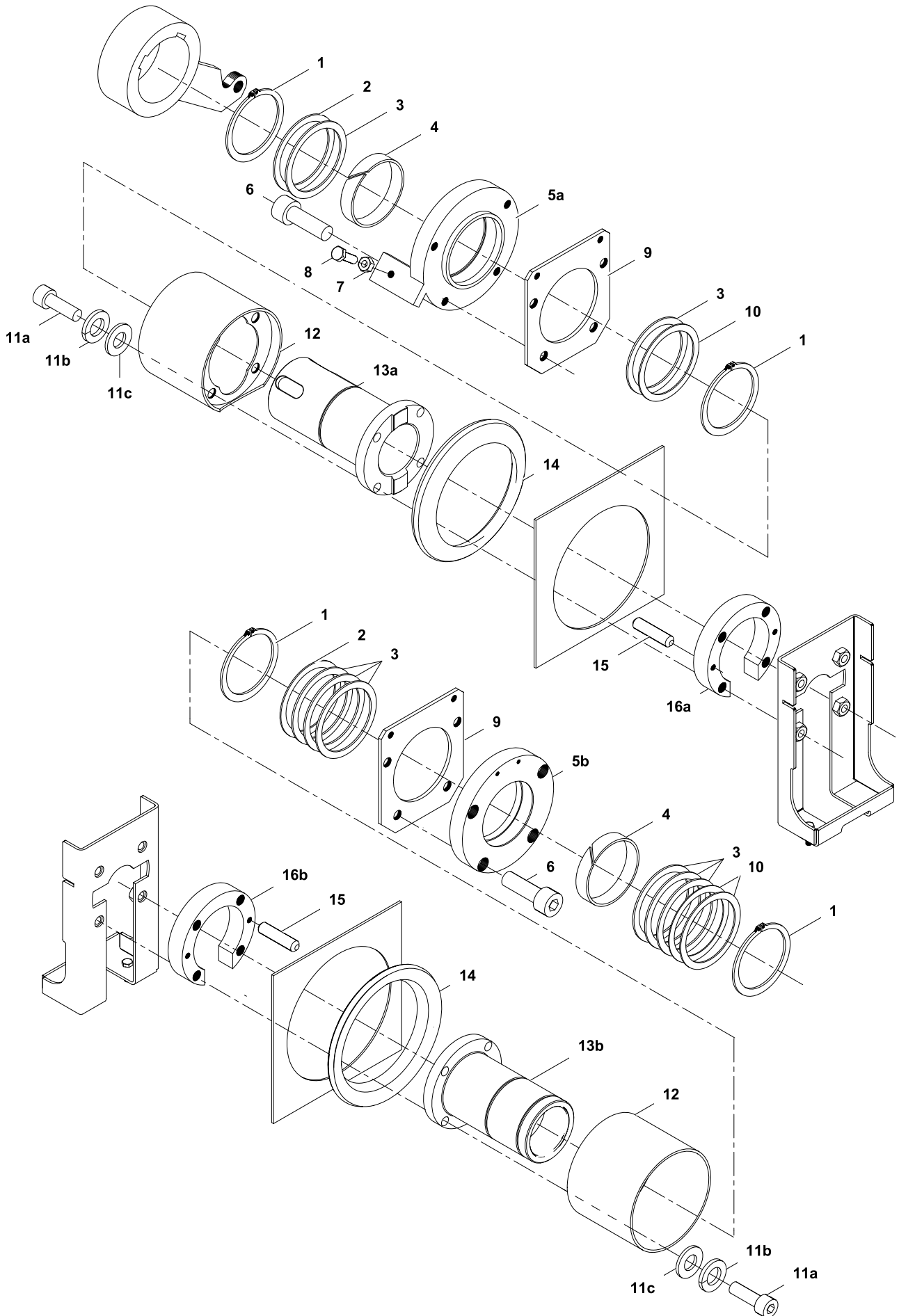


| <b>3</b> | Alias         | Code   | Bezeichnung              | Description           | Ref. | Valid from Serial N° |
|----------|---------------|--------|--------------------------|-----------------------|------|----------------------|
| 1        | 86.5151       | OG5455 | Druckanzeige             | Pressure indicator    |      |                      |
| 2        | 86.5156       | OG5451 | Nabe                     | Hub                   |      |                      |
| 3        | 70.0139.03    | OG4622 | Griffbolzen Ø8x90 -M8    | Handle bolt Ø8x90 -M8 |      |                      |
| 4        | 712 344733.06 | OK5518 | Kugelgriff Ø30 - M8      | Ball handle Ø30 - M8  |      |                      |
| 5        | 712 844241    | OG2355 | Überwurfmutter G2"       | Union nut G2"         |      |                      |
| 6        | 70.0150       | OKE136 | Deckscheibe zu Ventil    | Disk                  |      |                      |
| 7        | 70.0151       | OKT814 | Zylinder zu Ventil       | Cylinder              |      |                      |
| 8        | 70.0148       | OKT815 | Kurvenscheibe zu Ventil  | Disk                  |      |                      |
| 9        | 1 701 7077    | OKT912 | Schwerspannstift Ø5x14   | Pivot pin Ø5x14       |      |                      |
| 10       | 70.0147       | OKT816 | Ventileinsatz            | Valve core            |      |                      |
| 11       | 75.9001.06    | OKT725 | Sicherungsscheibe Ø4     | Circlip Ø4            |      |                      |
| 12       | 86.5152       | OG5454 | Stift                    | Bolt                  |      |                      |
| 13       | 70.0215       | OK4120 | Druckfeder               | Spring                |      |                      |
| 14       | 86.5153       | OG5450 | Ventilkegel              | Valve cone            |      |                      |
| 15       | 1 701 2800    | OG5452 | Kugel Ø12                | Ball Ø12              |      |                      |
| 16       | 1 701 2799    | OG5453 | Sicherungsring Ø14       | Circlip Ø14           |      |                      |
| 17       | 1 701 1546    | OG5449 | Zylinder-Kerb-Stift Ø2x6 | Pin Ø2x6              |      |                      |
| 18       | 86.5155       | OG5448 | Ventilgehäuse            | Valve housing         |      |                      |
| 19       | 70.0140       | OK4109 | Dampfkanal               | Steam channel         |      |                      |
| 20       | 1 201 2135    | OG5446 | O-Ring 3187              | O-Ring 3187           |      |                      |
| 21       | 712 044480.01 | OK5544 | O-Ring 3206              | O-Ring 3206           |      |                      |
| 22       | 86.5154       | OG5445 | Ventilsitz               | Valve seat            |      |                      |
|          | 86.5150       | OG5442 | Deckelventil komplett    | Lid valve complete    |      |                      |

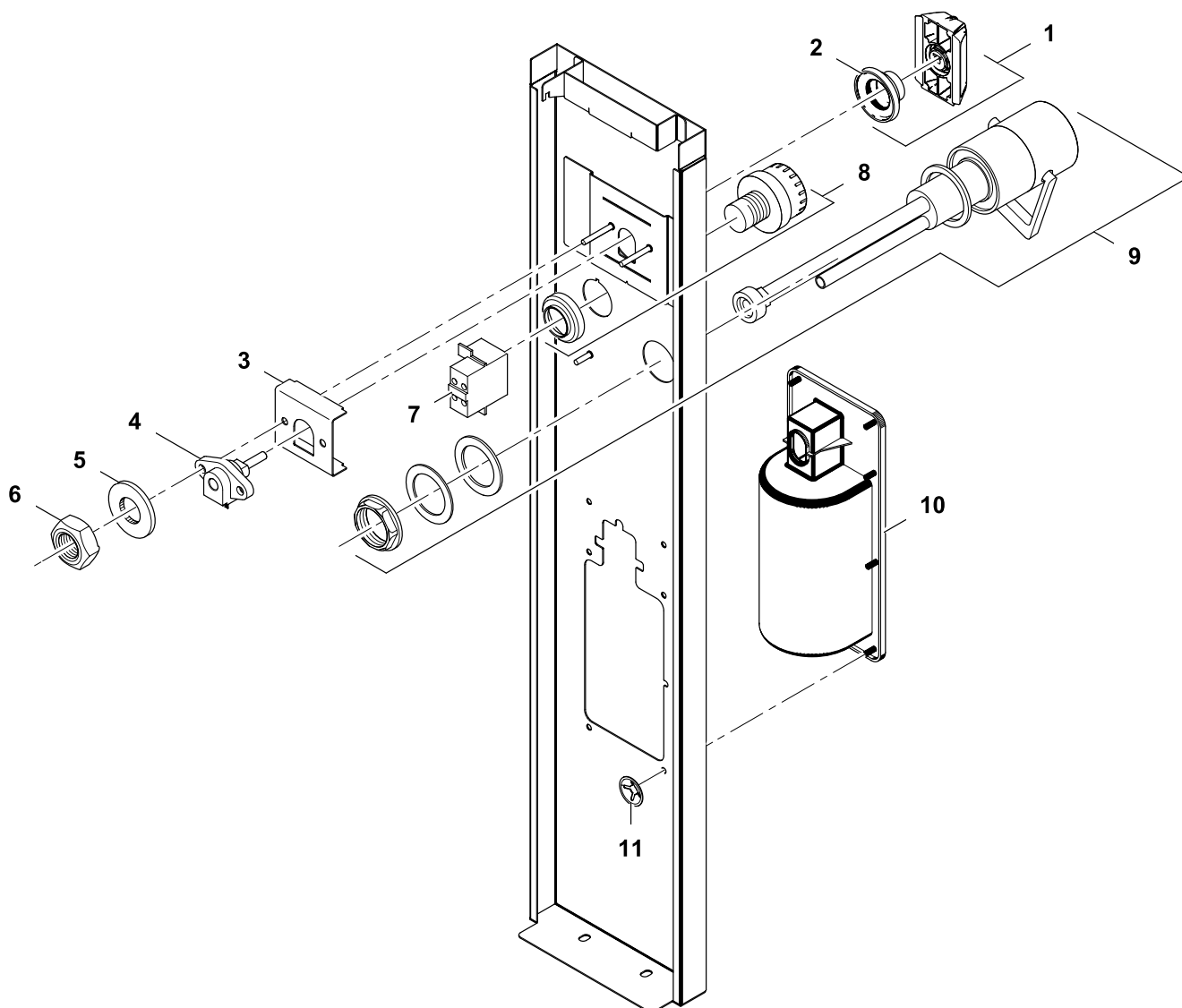


| 4  | Alias      | Code   | Bezeichnung                       | Description                           | Ref.      | Valid from Serial N° |
|----|------------|--------|-----------------------------------|---------------------------------------|-----------|----------------------|
| 1  | 87.5019    | *      | Lagerklotz rechts                 | Bearing support, right                |           |                      |
| 2  | 1 201 2175 | OG6285 | Stopfen ø30 Ø32                   | Stopper ø30 Ø32                       |           |                      |
| 3  | 87.5029.03 | *      | Lagerblech rechts                 | Support right                         | 60L/90L   |                      |
|    | 87.5029.01 | *      | Lagerblech rechts                 | Support right                         | 100L/170L |                      |
| 4  | 1 701 5040 | OK4616 | Federring M10                     | Spring washer m10                     |           |                      |
| 5  | 1 101 8125 | OK4545 | Schraube I-6kt M10x16             | Allen screw M10x16                    |           |                      |
| 6  | 87.5066    | *      | Verkleidung Lagerblech rechts     | Cover right                           | 60L/90L   |                      |
|    | 87.5031    | *      | Verkleidung Lagerblech rechts     | Cover right                           | 100L/170L |                      |
| 7  | 87.5033    | *      | Lager                             | Support                               |           |                      |
| 8  | 87.5065    | *      | Verkleidung Lagerblech links      | Cover left                            | 60L/90L   |                      |
|    | 87.5032    | *      | Verkleidung Lagerblech links      | Cover left                            | 100L/170L |                      |
| 9  | 1 701 6515 | ???    | Blindniete                        | Blind rivet                           |           |                      |
| 10 | 76.1337.01 | *      | Abdeckblech rechts/links          | Cover panel right/left                | 60L/90L   |                      |
|    | 76.1338.01 | *      | Abdeckblech rechts/links          | Cover panel right/left                | 100L/170L |                      |
| 11 | 87.5018    | *      | Lagerklotz links                  | Bearing support, left                 |           |                      |
| 12 | 87.5119    | OG6293 | Verschlussstopfen                 | Stopper                               |           |                      |
| 13 | 87.5143    | ???    | Gew.-Stift I6kt mit Zapfen M10x16 | Allen set screw with dog point M10x16 |           |                      |
| 14 | 70.0395    | OK5236 | Rohrabschlusskappe 22x1.5         | End cap 22x1.5                        |           |                      |
| 15 | 1 101 8183 | OG4249 | Schraube I-6kt M10x65             | Allen screw M10x65                    |           |                      |
| 16 | 87.5029.04 | *      | Lagerblech links                  | Support left                          | 60L/90L   |                      |
|    | 87.5029.02 | *      | Lagerblech links                  | Support left                          | 100L/170L |                      |
| 17 | 1 101 8146 | OK4497 | Schraube I-6kt M10x40             | Allen screw M10x40                    |           |                      |
| 18 | 1 701 3516 | OT5917 | Unterlegscheibe M10               | Washer M10                            |           |                      |
| 19 | 1 101 8130 | OG5493 | Schraube I-6kt M10x20             | Allen screw M10x20                    |           |                      |
| 20 | 1 701 1067 | ???    | Käfigmutter M10                   | Cage nut                              |           |                      |
| 21 | 87.5038    | ???    | O-Ring                            | O-Ring                                |           |                      |
|    | 76.3617    | OG6114 | Dichtschmierstoff                 | Lubricant                             |           |                      |

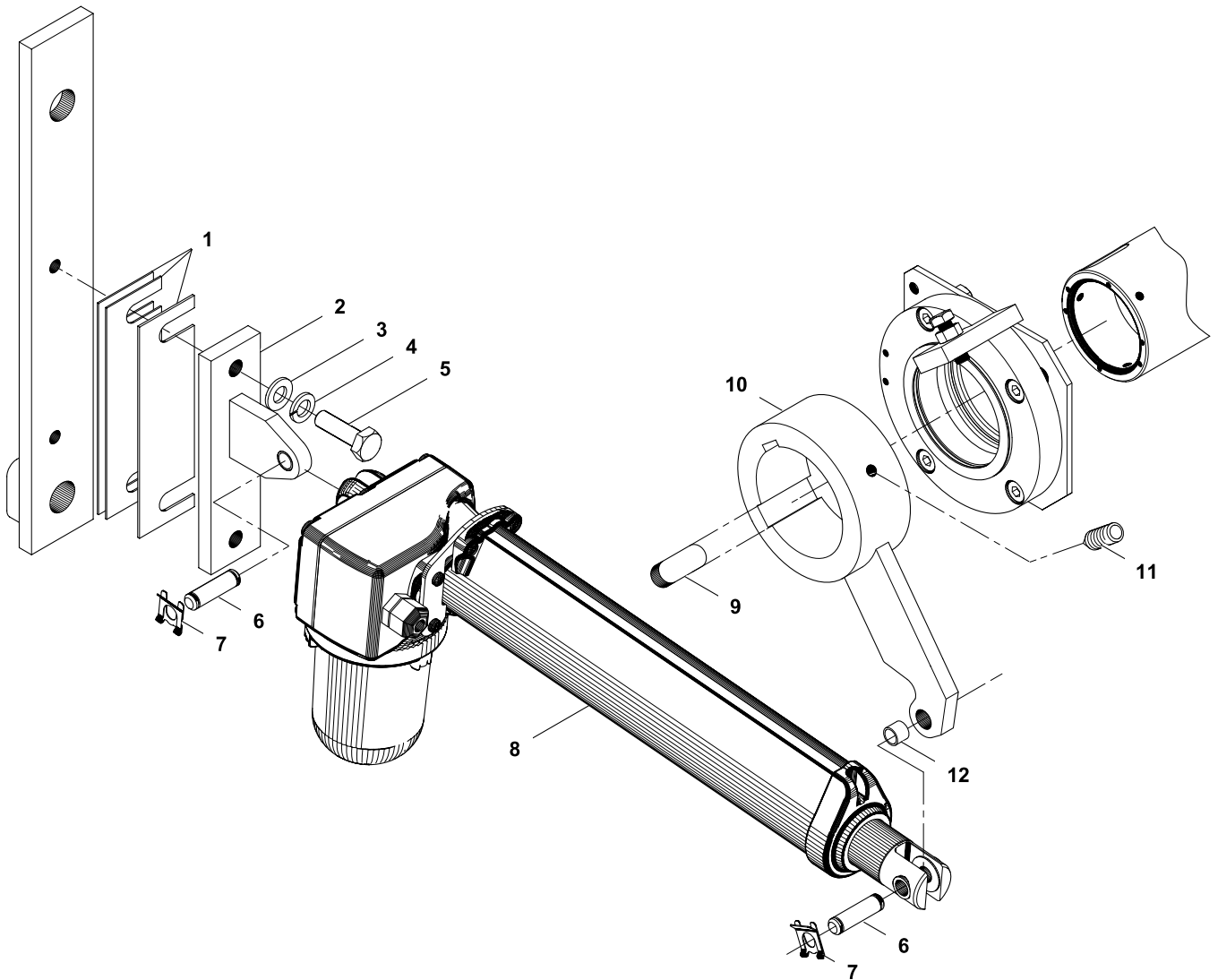




| 6   | Alias      | Code   | Bezeichnung                   | Description               | Ref.        | Valid from Serial N° |
|-----|------------|--------|-------------------------------|---------------------------|-------------|----------------------|
| 1   | 1 701 5080 | OKT913 | Sicherungsring Ø70            | Circlip ring Ø70          |             |                      |
| 2   | 76.4402    | OKI520 | Distanzscheibe                | Spacer washer             |             |                      |
| 3   | 76.4037    | OKI519 | Distanzscheibe                | Spacer washer             |             |                      |
| 4   | 76.3002    | OKI517 | Lagerband                     | Bearing strip             |             |                      |
| 5a  | 76.4425    | OG4680 | Lagerhalter links             | Bearing retainer left     |             |                      |
| 5b  | 76.4337    | OKT703 | Lagerhalter rechts            | Bearing retainer right    |             |                      |
| 6   | 1 701 2631 | OKT916 | Innensechskantschraube M8x25  | Allen bolt M8x25          |             |                      |
| 7   | 1 701 3044 | OK4612 | Sechskantmutter M8            | Hex nut M8                |             |                      |
| 8   | 1 701 2616 | OKT918 | Sechskantschraube M8x25       | Hex bolt M8x25            |             |                      |
| 9   | 76.4341    | OG4726 | Gegenhalter                   | Counter support           |             |                      |
| 10  | 76.4038    | OKT707 | Stützscheibe                  | Retaining washer          |             |                      |
| 11a | 1 101 8148 | OG2970 | Innensechskantschraube M10x50 | Allen bolt M10x50         | 100L-170L   |                      |
|     | 1 701 1099 | OKK080 | Innensechskantschraube M10x35 | Allen bolt M10x35         | 60L-90L     |                      |
| 11b | 1 701 5040 | OK4616 | Federring M10                 | Spring washer M10         |             |                      |
| 11c | 1 701 3516 | OT5917 | Unterlegscheibe M10           | Washer M10                |             |                      |
| 12  | 76.4102.01 | OG3135 | Abdeckung Lagerzapfen         | Cover bearing spigot      | 100L - 170L |                      |
|     | 76.4102.06 | ???    | Abdeckung Lagerzapfen         | Cover bearing spigot      | 60L - 90L   |                      |
| 13a | 76.4526    | OG3046 | Lagerzapfen links             | Bearing spigot left       |             |                      |
| 13b | 76.4111    | OKT705 | Lagerzapfen rechts            | Bearing spigot right      |             |                      |
| 14  | 76.3004    | OKI521 | Dichtmanschette               | Sealing sleeve            |             |                      |
| 15  | 1 701 7058 | OG6089 | Schwerspansstift 6x26         | Spring pin 6x26           |             |                      |
| 16a | 76.4530.01 | OG3498 | Zwischenring links 20mm       | Spacer bracket left 20mm  | 100L - 170L |                      |
|     | 76.4530.04 | ???    | Zwischenring links 8mm        | Spacer bracket left 8mm   | 60L - 90L   |                      |
| 16b | 76.4031.01 | OKT709 | Zwischenring rechts 20mm      | Spacer bracket right 20mm | 100L - 170L |                      |
|     | 87.5110    | ???    | Zwischenring rechts 5mm       | Spacer bracket right 5mm  | 60L - 90L   |                      |

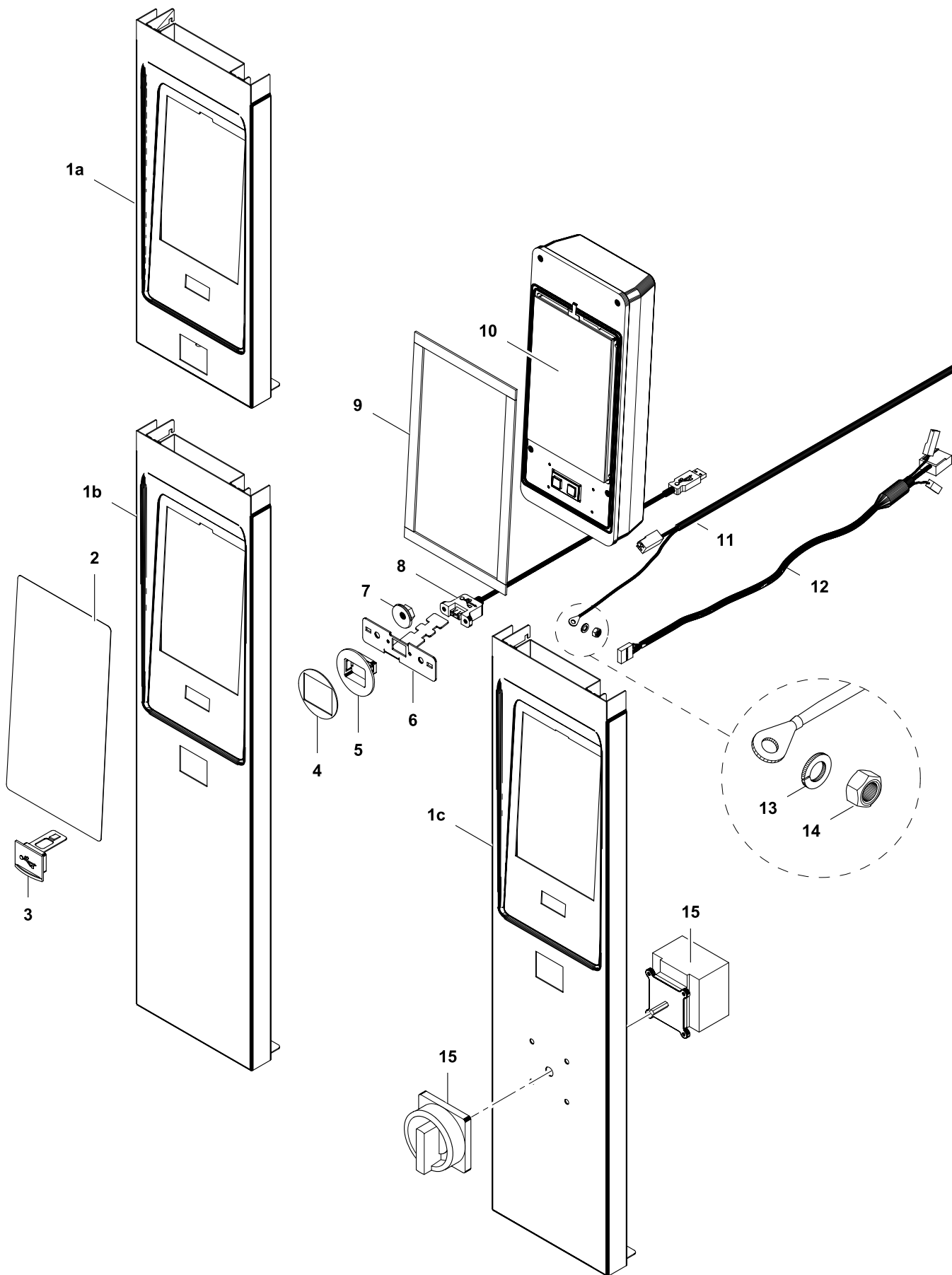


| 7  | Alias         | Code   | Bezeichnung                       | Description                     | Ref. | Valid from Serial N° |
|----|---------------|--------|-----------------------------------|---------------------------------|------|----------------------|
| 1  | 87.7072_0.KD  | OG6644 | Drehgriff komplett                | Handle with adapter and sealing |      | 3401...              |
| 2  | 82.7009       | OG6247 | Dichtung Drehgriff                | Sealing handle                  |      | 3401...              |
|    | 76.9673       | OG3648 | Griff zu Einbaukipfung            | Handle for tilting system       |      | 2071...              |
| 3  | 87.1363       | *      | Abstandsblech                     | Spacer                          |      | 3401...              |
| 4  | 87.9118       | OG6267 | Kipppotentiometer 7POT5KEO        | Tilting potentiometer 7POT5KEO  |      | 3401...              |
|    | 76.9363       | OKI513 | Schalter mit Potentiometer        | Switch and potentiometer        |      | 2071...              |
| 5  | 1 701 3502    | OG3595 | Unterlegscheibe Ø4,3 x Ø9,0 x 0,8 | Wascher Ø4,3 x Ø9,0 x 0,8       |      | 3401...              |
| 6  | 1 701 3004    | OK4606 | Sechskantmutter M4x0.8            | Hex nut M4x0.8                  |      | 3401...              |
|    | 712 044120.04 | OG4918 | Keps-Mutter M4                    | Keps nut M4                     |      | 2071...              |
| 7  | 76.9108.02    | OK5160 | Kontaktgeber Notaus               | Terminal emergency stop         |      |                      |
| 8  | 76.9075.03    | OKX129 | Notausschläter                    | Emergency stop botton           |      |                      |
| 9  | 86.7120       | OG6839 | Einhebelmischer                   | One-lever mixer tap             |      |                      |
| 10 | 86.7124       | *      | Frontblende Spray Gun             | Front panel spray gun           |      |                      |
| 11 | 1 701 5083    | OG6850 | Quicklock-Scheibe                 | Quicklock fixing washer         |      |                      |

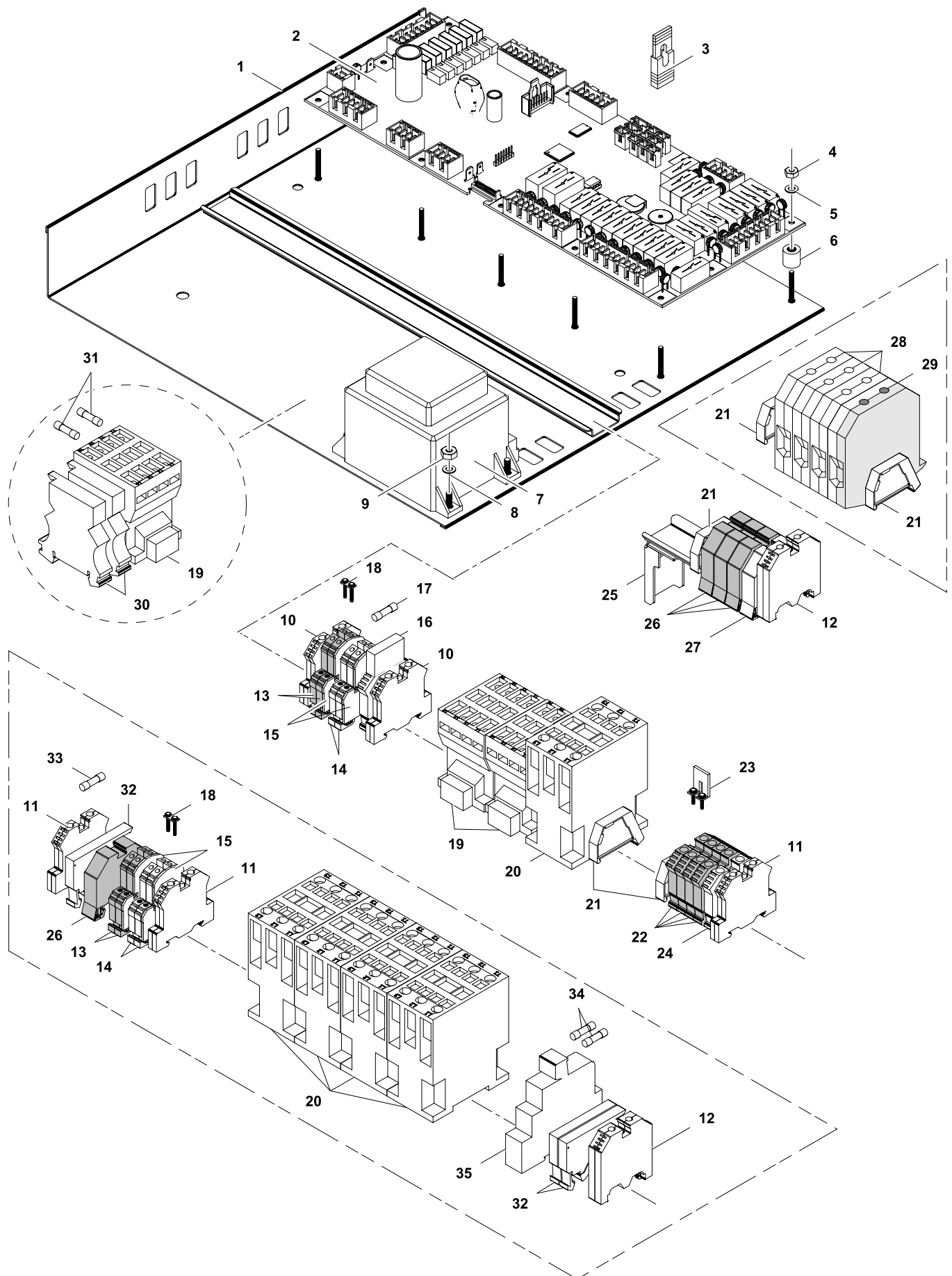


| 8  | Alias      | Code          | Bezeichnung                          | Description                           | Ref.              | Valid from Serial N° |
|----|------------|---------------|--------------------------------------|---------------------------------------|-------------------|----------------------|
| 1  | 76.0066.01 | <b>OK5492</b> | Zwischenblech 1mm                    | Spacer sheet 1mm                      |                   |                      |
|    | 76.0066.03 | <b>OK5494</b> | Zwischenblech 1,5mm                  | Spacer sheet 1,5mm                    |                   |                      |
| 2  | 76.0162    | <b>OG2930</b> | Motorhalter                          | Motor support                         |                   |                      |
| 3  | 1 701 3516 | <b>OT5917</b> | Unterlegscheibe Ø10.5 x Ø21 x 2      | Washer Ø10.5 x Ø21 x 2                |                   |                      |
| 4  | 1 701 5040 | <b>OK4616</b> | Federring M10                        | Spring washer M10                     |                   |                      |
| 5  | 1 701 2543 | <b>OK4601</b> | Sechskantschraube M10x35             | Hex bolt M10x35                       |                   |                      |
| 6  | 87.7041    | <b>OG6840</b> | Bolzen M10x30                        | Pin M10x30                            |                   | 4141...              |
|    | 76.0074.xx | <b>OK5500</b> | Bolzen M10x29                        | Pin M10x29                            |                   | 3401...              |
| 7  | 1 201 1927 | <b>OK5499</b> | Federklammer Ø10                     | Spring clip Ø10                       |                   |                      |
| 8  | 87.9113    | <b>OG6269</b> | Kippmotor SIR 3000N lang 6814421     | Tilting motor SIR 3000N long 6814421  | 60-90L/D900       | 4141...              |
|    | 87.9112    | <b>OG6268</b> | Kippmotor SIR 6000N lang 6814420     | Tilting motor SIR 6000N long 6814420  | 100-170L/D900     | 4141...              |
|    | 87.9115    | <b>OG6271</b> | Kippmotor SIR 3000N kurz 6814423     | Tilting motor SIR 3000N short 6814423 | 60-90L/D800/850   | 4141...              |
|    | 87.9114    | <b>OG6270</b> | Kippmotor SIR 6000N kurz 6814422     | Tilting motor SIR 6000N short 6814422 | 100-170L/D800/850 | 3461...              |
|    | 76.3090    | <b>OK4753</b> | Kippmotor 3000N lang                 | Tilting motor 3000N long              | 60-90L/D900       | 3401...              |
|    | 76.3091    | <b>OK4754</b> | Kippmotor 8000N lang                 | Tilting motor 8000N long              | 100-170L/D900     | 3401...              |
|    | 76.3093    | <b>OKT713</b> | Kippmotor 3000N kurz                 | Tilting motor 3000N short             | 60-90L/D800/850   | 3401...              |
|    | 76.3115    | <b>OKV630</b> | Kippmotor 8000N kurz                 | Tilting motor 8000N short             | 100-170L/D800/850 | 3401...              |
| 9  | 1 201 1907 | <b>OKT929</b> | Passfeder 14x9x36                    | Feather key 14x9x36                   |                   |                      |
| 10 | 76.2027.01 | *             | Kipphebel                            | Rocker arm                            | Depth 900         |                      |
|    | 76.2027.02 | *             | Kipphebel                            | Rocker arm                            | Depth 800/850     |                      |
| 11 | 1 701 7094 | <b>OG4248</b> | Gewindestift m. Innensechskant M8x12 | Allen set screw M8x12                 |                   |                      |
| 12 | 76.4115    | <b>OK5498</b> | Lager GLEIT-PERMAGLIDE               | Fiberglide                            |                   |                      |

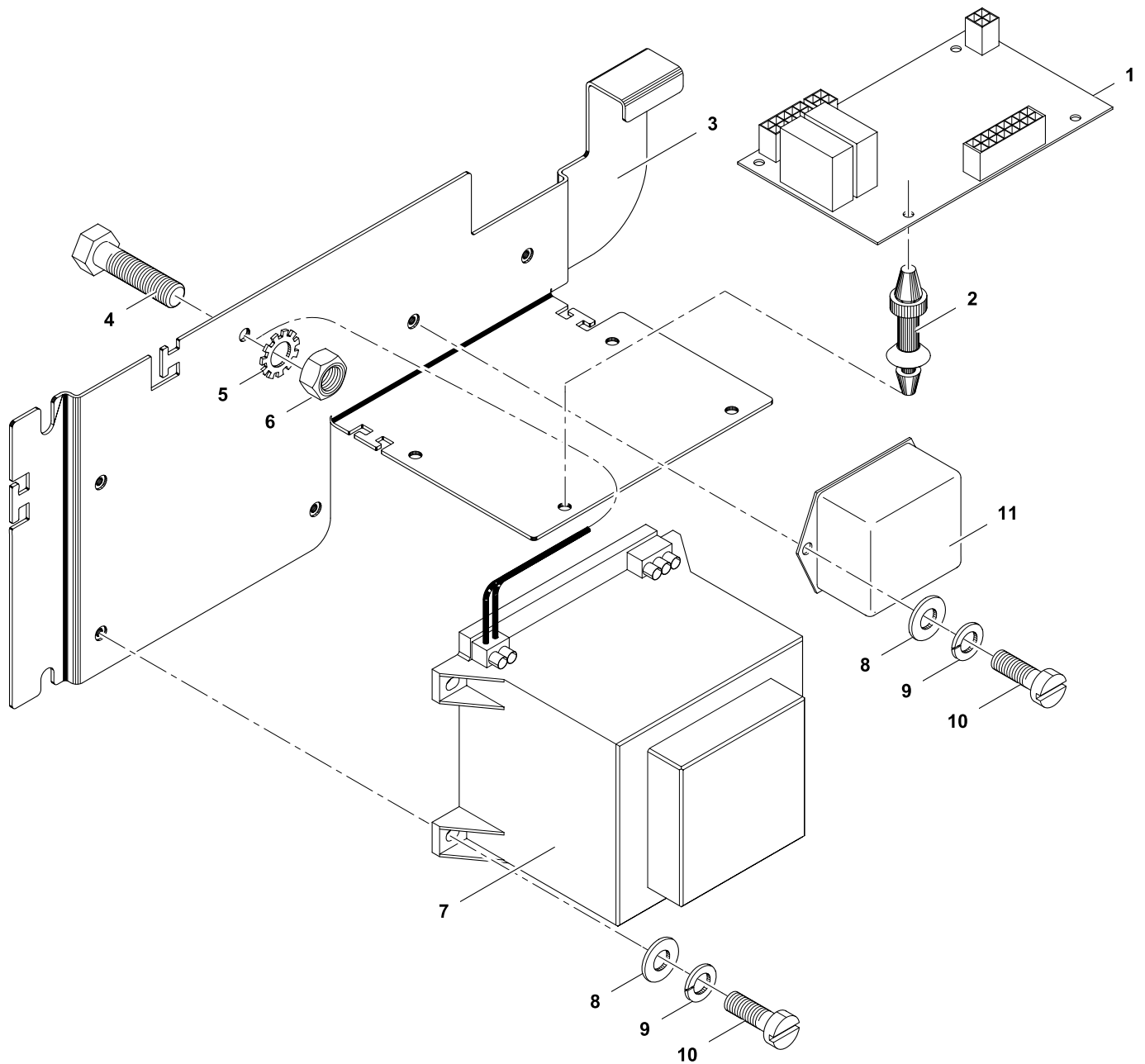
\* Components on demand  
\* Teile auf Anfrage



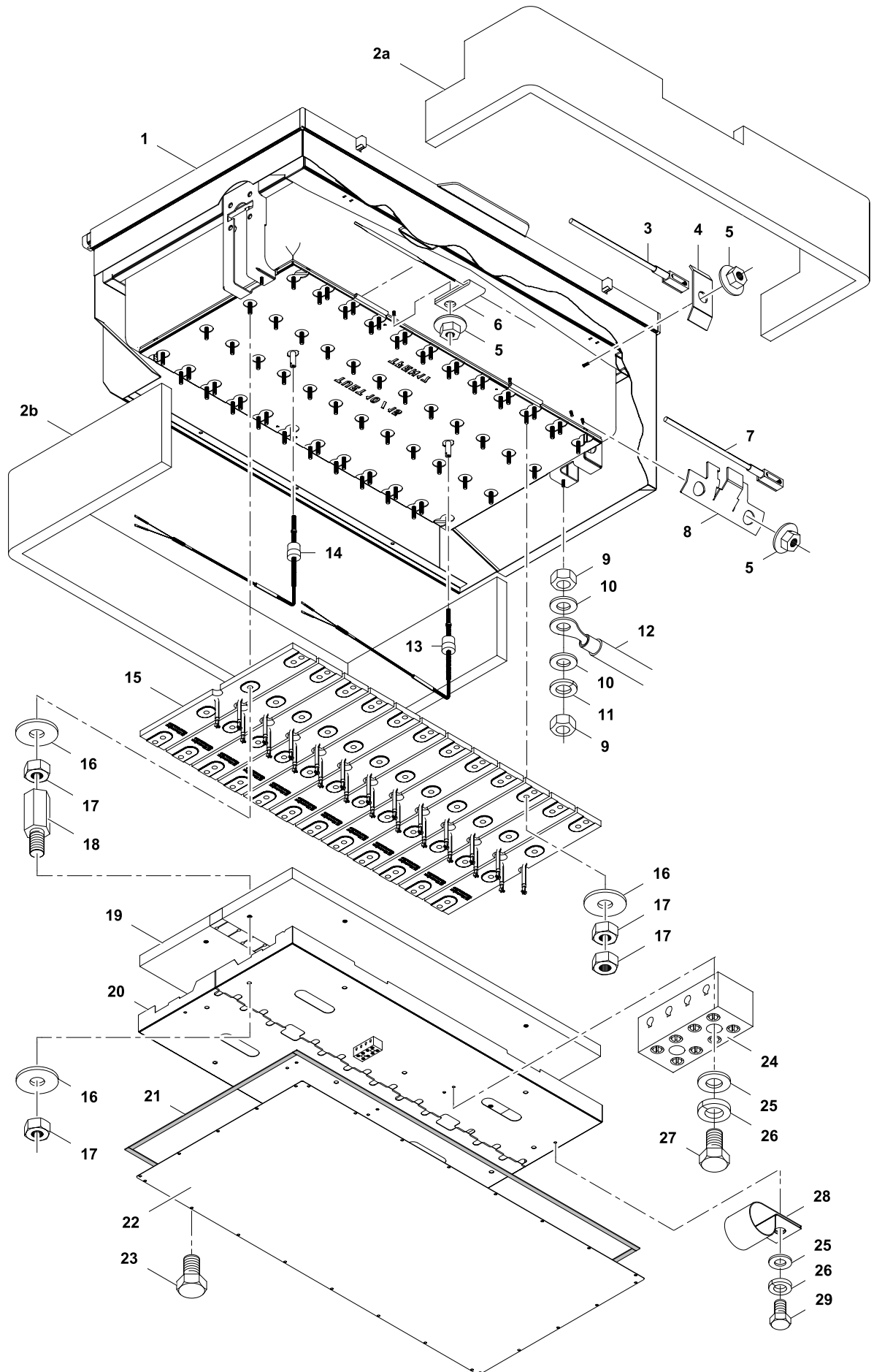
| 9  | Alias              | Code   | Bezeichnung                     | Description                     | Ref.                        | Valid from Serial N° |
|----|--------------------|--------|---------------------------------|---------------------------------|-----------------------------|----------------------|
| 1a | 87.1013.03         | *      | Steuerfront                     | UI panel                        | 400H 800/850/900 depth      |                      |
| 1b | 87.1013.01         | *      | Steuerfront                     | UI panel                        | 700H 800/850/900 depth      |                      |
|    | 87.1013.02         | *      | Steuerfront                     | UI panel                        | 800H 800/850/900 depth      |                      |
|    | 87.1013.15         | *      | Steuerfront D100mm              | UI panel D100mm                 | 400H 900 depth (1000 depth) |                      |
|    | 87.1013.16         | *      | Steuerfront D100mm              | UI panel D100mm                 | 700H 900 depth (1000 depth) |                      |
|    | 87.1013.17         | *      | Steuerfront D100mm              | UI panel D100mm                 | 800H 900 depth (1000 depth) |                      |
| 1c | 87.1013.01+87.1310 | *      | Steuerfront mit Hauptschalter   | UI panel with main switch       | 700H 800/850/900 depth      |                      |
|    | 87.1013.02+87.1311 | *      | Steuerfront mit Hauptschalter   | UI panel with main switch       | 800H 800/850/900 depth      |                      |
| 2  | 87.1008            | OG6081 | Folie                           | Foil                            |                             |                      |
| 3  | 87.9004            | OC6546 | Abdeckkappe zu USB              | USB cover                       |                             |                      |
| 4  | 87.9005            | OTTH81 | Dichtung zu USB                 | USB sealing                     |                             |                      |
| 5  | 87.9003            | OC6547 | Halter zu USB                   | USB support                     |                             |                      |
| 6  | 87.1014            | *      | Blech zu USB                    | USB fixation sheet              |                             |                      |
| 7  | 712 044120.04      | OG4918 | Kepsmutter M4                   | Keps nut M4                     |                             |                      |
| 8  | 87.9030            | OC6566 | Kabel COPUI40-USB               | Cable COPUI40-USB               |                             |                      |
| 9  | 1 701 7550         | OG4894 | Dichtband APENFIX 12x2          | Sealing strip AENFIX 10x2       |                             |                      |
| 10 | 87.9043_0          | OG5909 | Steuerung komplett              | User interface assembled        |                             |                      |
|    | 87.9043_1          | OG6990 | Steuerung komplett              | User interface assembled        |                             | 5181...              |
| 11 | 87.9010            | OG5956 | Kabel Klemmen-COPUI40S          | Cable terminal-COPUI40S         |                             |                      |
|    | 87.9158            |        | Kabel UL Klemme-COPUI40S        | Cable UL terminal-COPUI40S      | *UL                         |                      |
| 12 | 87.9033            | OG5957 | Kabel COPUI40-COP20             | Cable COPUI40-COP20             |                             |                      |
| 13 | 1 701 5004         | OH9734 | Federring M5                    | Spring washer M5                |                             |                      |
| 14 | 1 701 3008         | OG6111 | Sechskantmutter M5              | Hex nut M5                      |                             |                      |
| 15 | 76.9164.01         | OG2137 | Hauptschalter 25A               | Main switch 25A                 | 60L/90L                     |                      |
|    | 76.9149.04         | *      | Kabel 5x4mm <sup>2</sup> L=1400 | Cable 5x4mm <sup>2</sup> L=1400 | 60L/90L                     |                      |
|    | 76.9164.02         | OK4979 | Hauptschalter 63A               | Main switch 63A                 | 100L/170L                   |                      |
|    | 76.9149.06         | *      | Kabel 5x6mm <sup>2</sup> L=1400 | Cable 5x6mm <sup>2</sup> L=1400 | 100L/170L                   |                      |



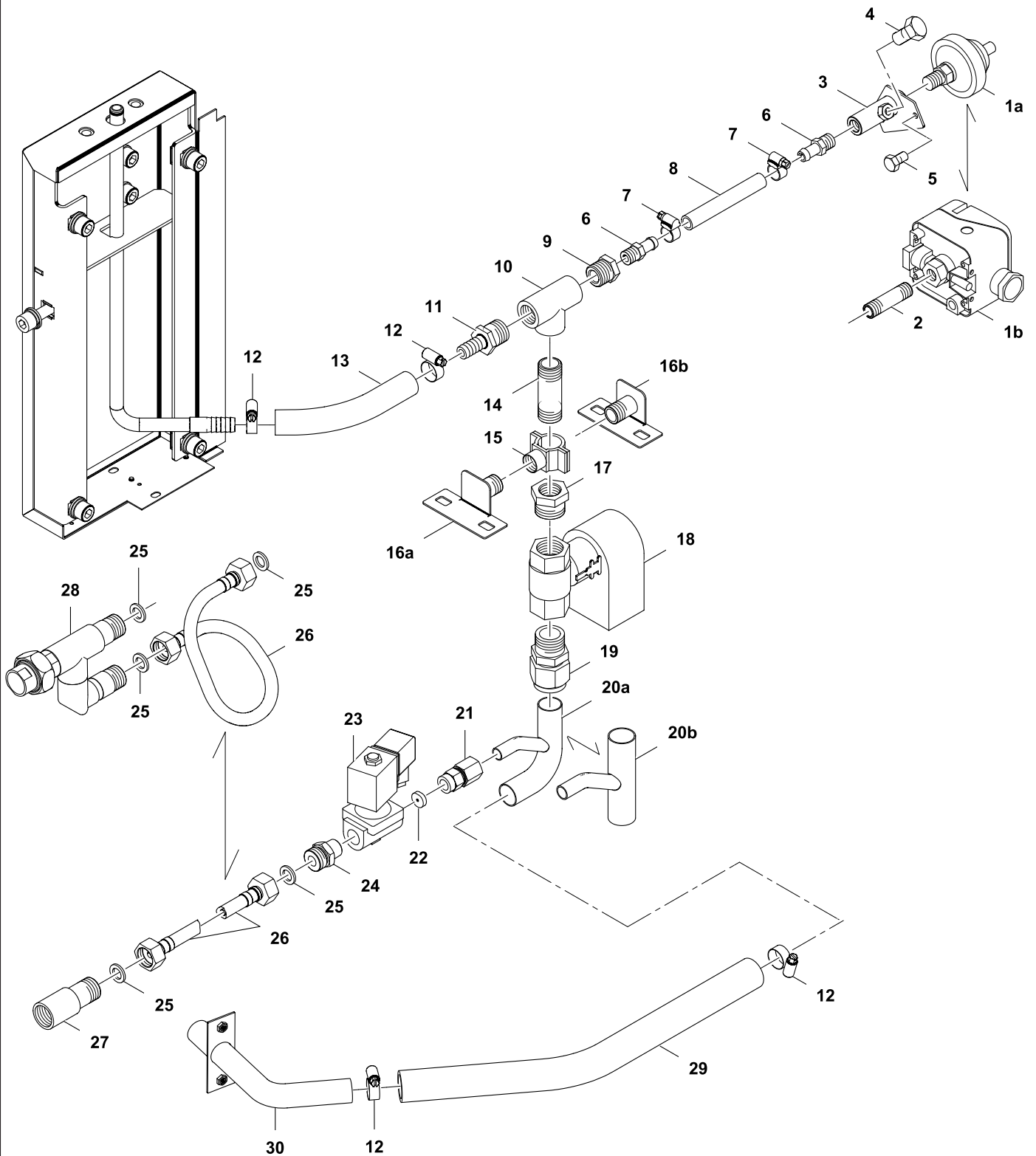
| 10 | Alias         | Code   | Bezeichnung                                  | Description                                      | Ref.     | Valid from Serial N° |
|----|---------------|--------|--|--|----------|----------------------|
| 1  | 879188.01     | *      | Steuerträger standard PxxT                   | Support frame PxxT                               | Standard |                      |
|    | 879188.02     | *      | Steuerträger UL                              | Support frame PxxT UL                            | UL       |                      |
|    | 879188.03     | *      | Steuerträger Marine                          | Support frame PxxT Marine                        | Maine    |                      |
| 2  | 879015        | OG5908 | Motherboard COP20                            | Motherboard COP20                                |          |                      |
| 3  | 879191        | ???    | Jumper                                       | Jumper   |          |                      |
| 4  | 1 701 3057    | OU0182 | Sechskantmutter M3                           | Hexs nut M3                                      |          |                      |
| 5  | 1 701 3540    | OKI478 | Unterlegscheibe M3                           | Washer M3  |          |                      |
| 6  | 76.3011.03    | OG3094 | Distanzhalter 12mm                           | Spacer 12mm                                      |          |                      |
| 7  | 879036        | OG5910 | Transformator PMA 70VA 230V-12/24V           | Transformer PMA 70VA 230V-12/24V                 | Standard |                      |
|    | 879152        | OG6786 | Transformator 450VA 208V                     | Transformer 450VA 208V                           | UL       |                      |
|    | 879203        | OG6879 | Transformator 440V 150VA +PTC                | Transformer 440V 150VA +PTC                      | Marine   |                      |
| 8  | 1 701 3502    | OG3595 | Unterlegscheibe M4                           | Washer M4  |          |                      |
| 9  | 1 701 3004    | OK4606 | Sechskantmutter M4                           | Hex nut M4                                       |          |                      |
| 10 | 75.2011.01    | OKT730 | Schutzleiterklemme 4mm <sup>2</sup>          | Ground conductor terminal 4mm <sup>2</sup>       |          |                      |
| 11 | 75.2011.02    | OKT729 | Schutzleiterklemme 10mm <sup>2</sup>         | Ground conductor terminal 10mm <sup>2</sup>      |          |                      |
| 12 | 75.2011.03    | OKX291 | Schutzleiterklemme 16mm <sup>2</sup>         | Ground conductor terminal 16mm <sup>2</sup>      |          |                      |
| 13 | 75.2010.11    | OKT733 | Nulleiterklemme 4mm <sup>2</sup> blau        | Neutral wire terminal 4mm <sup>2</sup> blue      |          |                      |
| 14 | 75.2010.10    | OKT734 | Reihenblock 4mm <sup>2</sup> grau            | Terminal block 4mm <sup>2</sup> grey             |          |                      |
| 15 | 75.2010.12    | OT2598 | Abschlusswand                                | Cover  |          |                      |
| 16 | 76.9527.01    | OG3940 | Sicherungsklemme 10mm <sup>2</sup>           | Fuse holder terminal 10mm <sup>2</sup>           |          |                      |
|    | 76.9527.02    | OG4585 | Abschlusswand zu Sicherungsklemme            | Cover for fuse holder terminal                   |          |                      |
| 17 | 712 344362.01 | OG5814 | Sicherung 5x20 1A                            | Fuse 5x20 1A                                     |          |                      |
| 18 | 75.2010.14    | OG5735 | Querverbinder                                | Cross connection                                 |          |                      |
| 19 | 1 115 1757    | OG4645 | Schütz K3-14X027 + K2-E230                   | Contactactor K3-14X027 + K2-E230                 |          |                      |
| 20 | 1 115 1758    | OG4646 | Schütz K3-24X022                             | Contactactor K3-24X022                           |          |                      |
| 21 | 75.2013       | OKX290 | Arretierstück                                | Fixation   |          |                      |
| 22 | 75.2010.30    | OKT732 | Reihenblock 10mm <sup>2</sup> grau           | Terminal block 10mm <sup>2</sup> grey            |          |                      |
| 23 | 75.2010.34    | OG3339 | Querverbinder                                | Cross connection                                 |          |                      |
| 24 | 75.2010.31    | OG3495 | Nulleiterklemme 10mm <sup>2</sup> grün       | Neutral wire terminal 10mm <sup>2</sup> green    |          |                      |
| 25 | 76.9011.01    | *      | Klemmschiene                                 | Clamp rail                                       |          |                      |
| 26 | 75.2010.40    | OKI280 | Reihenblock 16mm <sup>2</sup> grau           | Terminal block 16mm <sup>2</sup> grey            |          |                      |
| 27 | 75.2010.41    | OG3488 | Nulleiterklemme 16mm <sup>2</sup> blau       | Neutral wire terminal 16mm <sup>2</sup> blue     |          |                      |
| 28 | 76.9474       | ???    | Durchgangsklemme                             | Through terminal 50mm <sup>2</sup>               |          |                      |
| 29 | 76.9475       | ???    | Schutzleiterklemme 50mm <sup>2</sup>         | Ground conductor terminal 50mm <sup>2</sup>      |          |                      |
| 30 | 82.9177       | OTTW84 | Sicherungsklemme 6.3x32 500V                 | Fuse holder terminal                             | Marine   |                      |
| 31 | 82.9171       | OTTR73 | Sicherung 6.3x32 0.63A 500V                  | Fuse 6.3x32 0.63A 500V                           | Marine   |                      |
| 32 | 75.2012.01    | OK5155 | Sicherungsklemme                             | Fuse holder terminal                             | UL       |                      |
|    | 75.2012.02    | OT2599 | Abschlusswand zu Sicherungsklemme            | Cover for fuse holder terminal                   | UL       |                      |
| 33 | 712 344362.02 | ???    | Sicherung 5x20 2.5A                          | Fuse 5x20 2.5A                                   | UL       |                      |
| 34 | 712 344362.13 | ???    | Sicherung 5x20 6.3A                          | Fuse 5x20 6.3A                                   | UL       |                      |
| 35 | 76.9483       | OG4009 | Relais 230V UL                               | Relay 230V UL                                    | UL       |                      |
|    | 76.9117.05    | OG5927 | Litze Haupterdraht                           | Litz wire earthing                               |          |                      |
|    | 76.9117.03    | *      | Litze Haupterdraht                           | Litz wire earthing                               | UL       |                      |
|    | 879008        | OG5939 | Kabel: COP20 - Schützen STB                  | Cable: COP20 - Conductors STB                    |          |                      |
|    | 879173        | ???    | Kabel: COP20 - Schützen STB UL               | Cable: COP20 - Conductors STB UL                 | UL       |                      |
|    | 879037        | OG5923 | Kabel: N - Trafo - P                         | Cable: N - Transformator - P                     |          |                      |
|    | 879154        | ???    | Kabel: N - Trafo - P UL                      | Cable: N - Transformator - P UL                  | UL       |                      |
|    | 879009        | OG5938 | Kabel: Klemmen - Schützen                    | Cable: Terminal - conductor                      |          |                      |
|    | 879174        | ???    | Kabel: Klemmen - Schützen UL                 | Cable: Terminal - conductor UL                   | UL       |                      |
|    | 879083.02     | OG5928 | Kabel: X0-X1 Hauptzuleitung 4mm <sup>2</sup> | Cable: X0 - X1 mains connection 4mm <sup>2</sup> |          |                      |
|    | 879083.03     | OG5929 | Kabel: X0-X1 Hauptzuleitung 6mm <sup>2</sup> | Cable: X0 - X1 mains connection 6mm <sup>2</sup> |          |                      |
|    | 879210        | OG6872 | Kabelbaum Prothermetic Marine                | Wiring harness Prothermetic Marine               | Marine   |                      |
|    | 82.2809       | OC0068 | Kabelverschraubung PG21                      | Cable gland PG21                                 | Marine   |                      |
|    | 82.9226       | ???    | Gegenmutter PG21                             | Lock nut PG21                                    | Marine   |                      |



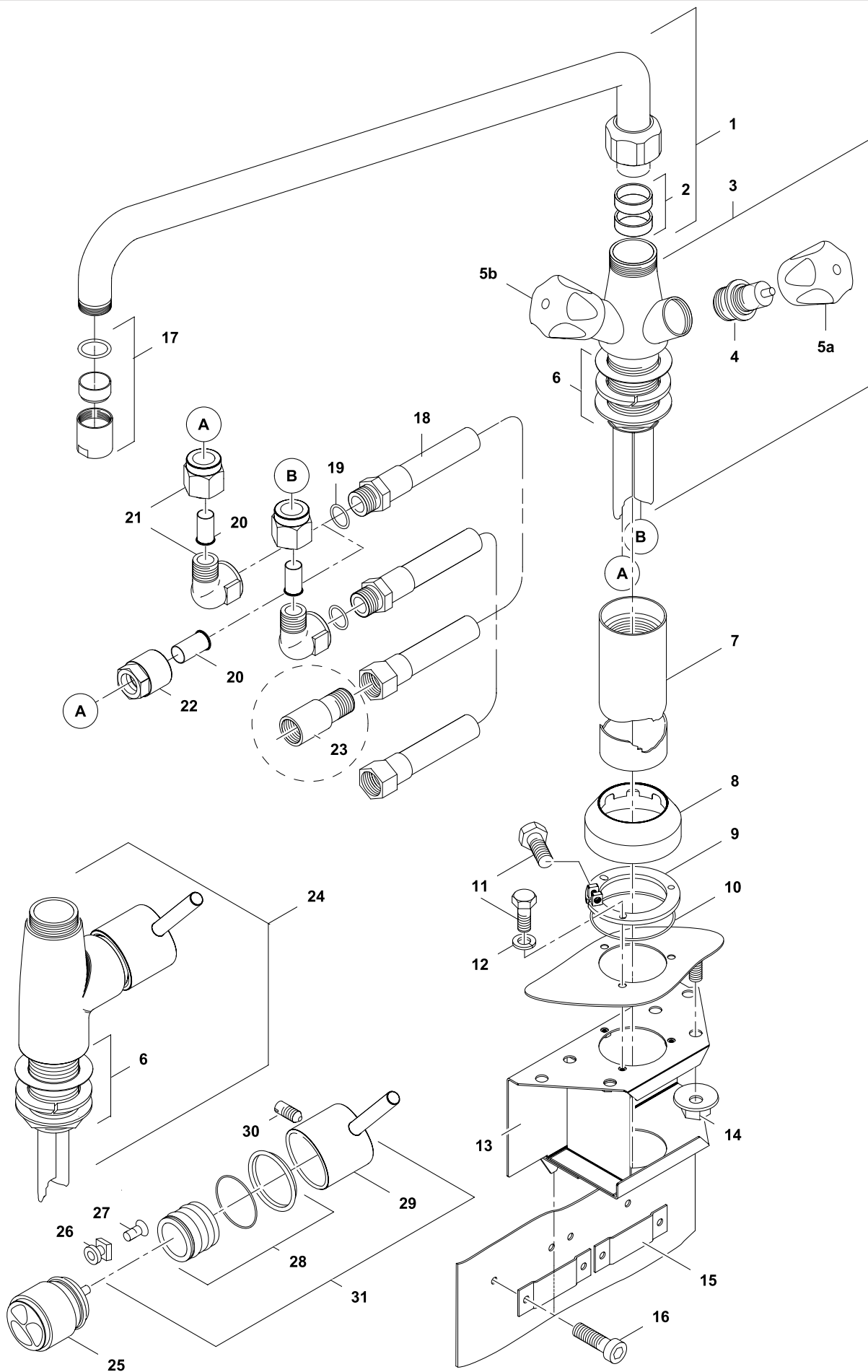
| TI | Alias        | Code   | Bezeichnung                                    | Description                                      | Ref.      | Valid from Serial N° |
|----|--------------|--------|--|--|-----------|----------------------|
|    | 879140.01    | OG6367 | Kippsteuerung kompl. 230-240V                  | Titling control assembled 230-240V               | Standard  | 3401...              |
|    | 879140.06    | OG6864 | Kippsteuerung kompl. 440V                      | Titling control assembled 440V                   | Marine    | 5011...              |
|    | 879140.03    | ???    | Kippsteuerung kompl. 204V                      | Titling control assembled 204V                   | UL        | 3461...              |
|    | 769000.01.KD | OG6016 | Kippsteuerung kompl. xxT94                     | Titling kontrol xxT94                            |           |                      |
| 1  | 879116       | OG6266 | Kippsteuerung 7CA24VE1 SIR                     | Titling control 7CA24VE1 SIR                     |           | 3401...              |
| 2  | 75.5000.05   | OG4212 | Distanzhalter                                  | Spacer   |           |                      |
| 3  | 879133       | *      | Halter Kippsteuerung                           | Support tilting control                          |           | 3401...              |
| 4  | 1 701 2567   | 0KEI85 | Sechskantschraube M5x20                        | Hex bolt M5x20                                   |           |                      |
| 5  | 1 701 7002   | OG2923 | Fächerscheibe M5                               | Fan washer M5                                    |           |                      |
| 6  | 1 701 3008   | OG6111 | Sechskantmutter M5x0.8D                        | Hex nut M5x0.8D                                  |           |                      |
| 7  | 879121       | OG6273 | Transformator 230V AC 24VDC                    | Transformer 230V AC 24VDC                        | Standard  |                      |
|    | 879143       | OG6865 | Transformator 440V AC 24VDC                    | Transformer 440V AC 24VDC                        | Marine    |                      |
|    | 879123       | ???    | Transformator 204V AC 24VDC                    | Transformer 204V AC 24VDC                        | UL        |                      |
| 8  | 1 701 3502   | OG3595 | Unterlegscheibe M4                             | Washer   |           |                      |
| 9  | 1 701 5002   | OKL273 | Federring M4                                   | Spring washer                                    |           |                      |
| 10 | 1 701 2023   | OG6863 | Zylinderschraube M4x12                         | Allen screw                                      |           |                      |
| 11 | 1 115 1783   | OG6228 | EMV Filter                                     | EMC filter                                       | Standard  |                      |
|    | 879182       | OG6866 | Kabel: Trafo - Steuerelektronik (Filter)       | Cable: tranformer - tilt control (EMC filter)    | Standard  |                      |
|    | 879119       | OG6391 | Kabel: Trafo - Steuerelektronik (ohne Filter)  | Cable: tranformer - tilt control (no EMC filter) | Marine/UL |                      |
|    | 76.9123      | OG5919 | Kabel: Thermoelement - Motor                   | Cable: Thermocouple - motor                      |           |                      |
|    | 879089       | OG5932 | Kabel: X2 - Kippung                            | Cable: X2 - tilting                              |           |                      |
|    | 879160       | ???    | Kabel UL: X2 - Kippung                         | Cable UL: X2 - tilting                           | UL        |                      |
|    | 879083.02    | OG5928 | Kable: X0 - X1 Hauptzuleitung 4mm <sup>2</sup> | Cable: X0 - X1 mains connection 4mm <sup>2</sup> | 60L-90L   |                      |
|    | 879083.03    | OG5929 | Kable: X0 - X1 Hauptzuleitung 6mm <sup>2</sup> | Cable: X0 - X1 mains connection 6mm <sup>2</sup> | 100L-170L |                      |



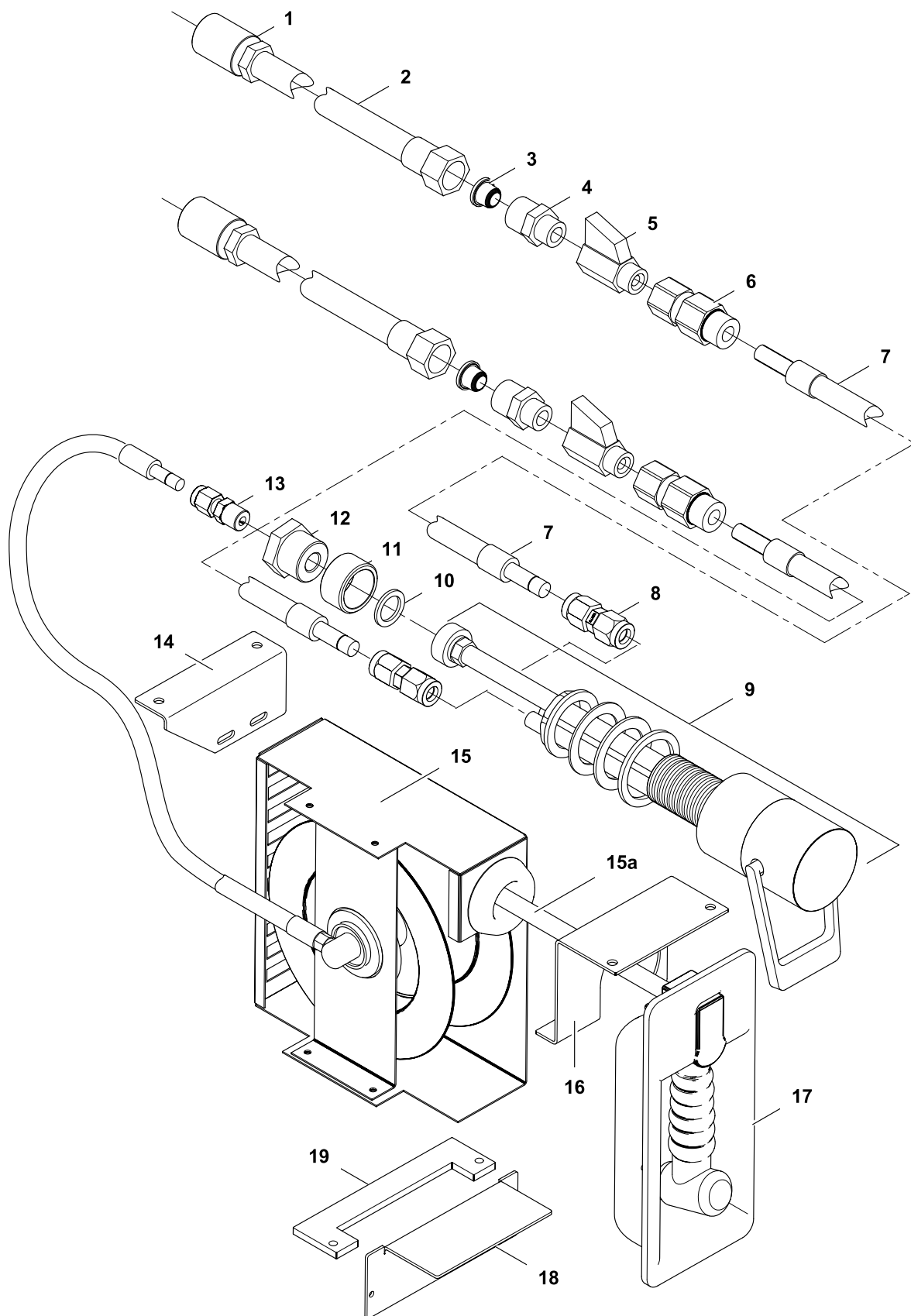
| 12   | Alias          | Code   | Bezeichnung                                  | Description                                   | Ref.               | Valid from Serial N° |
|------|----------------|--------|--|---|--------------------|----------------------|
| 1    | 87.5043        | *      | Tiegel geschweisst                           | Pan welded                                    | 170L D900          |                      |
|      | 87.5099        | *      | Tiegel geschweisst                           | Pan welded                                    | 90L D900           |                      |
|      | 87.5132        | *      | Tiegel geschweisst                           | Pan welded                                    | 170L D800/850      |                      |
|      | 87.5134        | *      | Tiegel geschweisst                           | Pan welded                                    | 100L D800/850      |                      |
|      | 87.5140        | *      | Tiegel geschweisst                           | Pan welded                                    | 100L D900          |                      |
|      | 87.5122        | *      | Tiegel geschweisst                           | Pan welded                                    | 60L D900           |                      |
|      | 87.5144        | *      | Tiegel geschweisst                           | Pan welded                                    | 60L D800/850       |                      |
|      | 87.5141        | *      | Tiegel geschweisst                           | Pan welded                                    | 90L D800/850       |                      |
| 2a/b | 87.7003.01 /02 | *      | Dämmung Tiegelrand vorn/hinten               | Insulation pan frontside/backside             | 170L D900          |                      |
|      | 87.7014.01 /02 | *      | Dämmung Tiegelrand vorn/hinten               | Insulation pan frontside/backside             | 170L D800/850      |                      |
|      | 87.7004.01 /02 | *      | Dämmung Tiegelrand vorn/hinten               | Insulation pan frontside/backside             | 60L D900           |                      |
|      | 87.7005.01 /02 | *      | Dämmung Tiegelrand vorn/hinten               | Insulation pan frontside/backside             | 60L D800/850       |                      |
|      | 87.7006.01 /02 | *      | Dämmung Tiegelrand vorn/hinten               | Insulation pan frontside/backside             | 90L D900           |                      |
|      | 87.7007.01 /02 | *      | Dämmung Tiegelrand vorn/hinten               | Insulation pan frontside/backside             | 90L D800/850       |                      |
|      | 87.7011.01 /02 | *      | Dämmung Tiegelrand vorn/hinten               | Insulation pan frontside/backside             | 100L D900          |                      |
|      | 87.7015.01 /02 | *      | Dämmung Tiegelrand vorn/hinten               | Insulation pan frontside/backside             | 100L D800/850      |                      |
| 3    | 87.9147.02     | OG6360 | Sensor TC Kochgut, rot                       | TC sensor food, red                           |                    |                      |
|      | 86.9084.02     | OG6360 | Sensor TC Kochgut, rot                       | TC sensor food, red                           |                    | 3511...              |
| 4    | 76.4191        | OG3087 | Halter zu Kochgutfühler klein                | Support for food sensor, small                |                    |                      |
| 5    | 712 044120.06  | OG3997 | Keps-Mutter M6                               | Keps nut M6                                   |                    |                      |
| 6    | 76.4169        | OG2819 | Halter Begrenzer                             | Support Limiter                               |                    |                      |
| 7    | 87.9147.01_KD  | OG6280 | Sensor TC Kochgut, gelb                      | TC sensor food, yellow                        |                    |                      |
|      | 86.9084.01     | OG5911 | Sensor TC Kochgut, gelb                      | TC sensor food, yellow                        |                    | 2151...              |
| 8    | 87.4058        | ???    | Halter zu Kochgutfühler groß                 | Support for food sensor, big                  |                    |                      |
| 9    | 1 701 3016     | OG5739 | Sechskantmutter M6                           | Hex nut M6                                    |                    |                      |
| 10   | 1 701 3545     | OK1298 | Unterlegscheibe M6                           | Washer M6                                     |                    |                      |
| 11   | 1 701 5007     | OG6058 | Federscheibe M6                              | Spring washer M6                              |                    |                      |
| 12   | 76.9117.07     | OG5933 | Kabel: Haupterd draht 10mm <sup>2</sup>      | Cable: Main earthing 10mm <sup>2</sup>        |                    |                      |
| 13   | 87.9045        | OG5935 | TC Boden Sensor rechts, blau                 | TC bottom sensor right, blue                  |                    |                      |
| 14   | 87.9046        | OG5934 | TC Boden Sensor links, grün                  | TC bottom sensor left, green                  |                    |                      |
| 15   | 86.7006.01     | OG4605 | Heizelement 67x490 (230V/1.7kW)              | Heating element 67x490 (230V/1.7kW)           | 60L-90L standard   |                      |
|      | 86.7006.03     | OG5485 | Heizelement 67x490 (254V/1.7kW)              | Heating element 67x490 (254V/1.7kW)           | 60L-90L Marine     |                      |
|      | 86.7005.01     | OG4606 | Heizelement 76x490 (230V/1.7kW)              | Heating element 76x490 (230V/1.7kW)           | 100L-170L standard |                      |
|      | 86.7005.03     | OG5488 | Heizelement 76x490 (254V/1.7kW)              | Heating element 76x490 (254V/1.7kW)           | 100L-170L Marine   |                      |
|      | 86.7006.05     | ???    | Heizelement 67x490 (208V/1.7kW)              | Heating element 67x490 (208V/1.7kW)           | 60L-90L UL         |                      |
|      | 86.7005.05     | ???    | Heizelement 76x490 (208V/1.7kW)              | Heating element 76x490 (208V/1.7kW)           | 100L-170L UL       |                      |
| 16   | 1 701 3547     | OG5469 | Unterlegscheibe M8                           | Washer M8                                     |                    |                      |
| 17   | 1 701 3044     | OK4612 | Sechskantmutter M8                           | Hex nut 8                                     |                    |                      |
| 18   | 1 115 1772     | OG4896 | Distanzhalter M8x25                          | Spacer M8x25                                  |                    |                      |
| 19   | 87.7001        | *      | Isolation Heizelemente                       | Insulation heating elements                   | 60L-90L            |                      |
|      | 87.7002        | *      | Isolation Heizelemente                       | Insulation heating elements                   | 100L-170L          |                      |
| 20   | 86.5202        | *      | Halteblech Isolation                         | Metal suport for insulation                   | 100L-170L          |                      |
|      | 86.5200        | *      | Halteblech Isolation                         | Metal suport for insulation                   | 60L-90L            |                      |
| 21   | 1 701 7550     | OG4894 | Dichtband 12x2                               | Sealing strip 12x2                            |                    |                      |
| 22   | *              | *      | Bodenblech                                   | Bottom panel                                  |                    |                      |
| 23   | 1 701 2509     | OK4598 | Schraube M5x12                               | Screw M5x12                                   |                    |                      |
| 24   | 76.9148        | OK4977 | Anschlussklemme 4-polig                      | Terminal 4-pole                               |                    |                      |
| 25   | 1 701 3502     | OG3595 | Unterlegscheibe M4                           | Washer M4                                     |                    |                      |
| 26   | 1 701 5002     | OKL273 | Federscheibe M4                              | Spring washer M4                              |                    |                      |
| 27   | 1 701 2084     | OG3586 | Zylinderkopfschraube M4x25                   | Allen bolt M4x25                              |                    |                      |
| 28   | 71.0505.03     | OG2881 | Kabelklemme                                  | Cable clamp                                   |                    |                      |
| 29   | 1 701 1541     | OG3674 | Schraube M4x10                               | Screw M4x10                                   |                    |                      |
|      | 86.9134.01     |        | Verdrahtung Heizblock - Heizblock            | Wiring: heating elem. -heating element        | Standard / Marine  |                      |
|      | 86.9134.02     |        | Verdrahtung Heizblock - Klemme               | Wiring: heating elem. -terminal               | Standard / Marine  |                      |
|      | 86.9145.01     |        | Kabel: Heizung - Schützen 2.5mm <sup>2</sup> | Cable: heating - conductor 2.5mm <sup>2</sup> | Standard / Marine  |                      |
|      | 86.9145.02     |        | Kabel: Heizung - Schützen 2.5mm <sup>2</sup> | Cable: heating - conductor 2.5mm <sup>2</sup> | Standard / Marine  |                      |



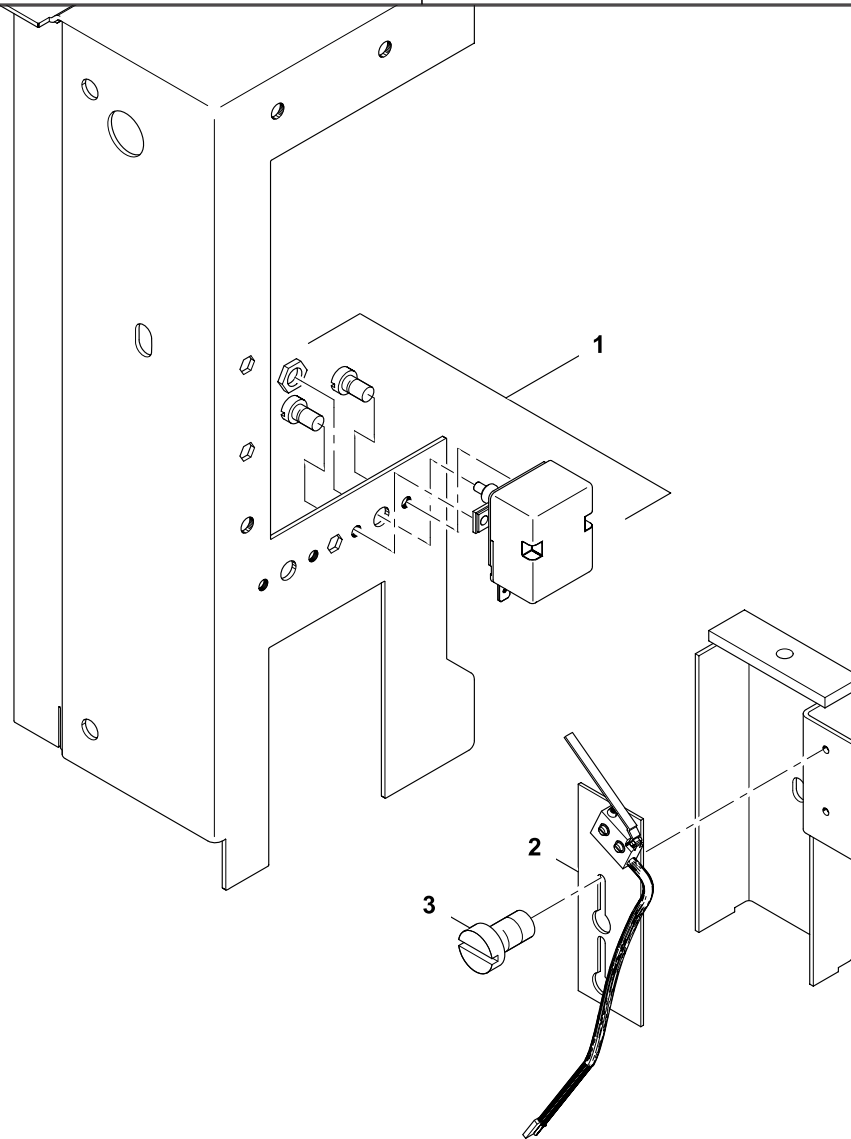
| 13  | Alias         | Code   | Bezeichnung                       | Description                       | Ref.            | Valid from Serial N° |
|-----|---------------|--------|-----------------------------------|-----------------------------------|-----------------|----------------------|
| 1a  | 75.1002       | OK4928 | Druckschalter                     | Pressure switch                   | Standard/Marine |                      |
| 1b  | 87.9194       | OG6933 | Druckschalter UL                  | Pressure switch UL                | UL              |                      |
| 2   | 1 116 1154    | OG2407 | Doppelnippel 1/4" x 50            | Double nipple 1/4" x 50           | UL              |                      |
| 3   | 87.5078       | ???    | Prüfanschluss                     | Testing connection                |                 |                      |
| 4   | 1 701 2582    | OT1775 | Sechskantschraube M8x12           | Hex bolt M8x12                    |                 |                      |
| 5   | 1 701 1069    | OG6959 | Flachkopfschraube M5x12           | Flat head screw M5x12             |                 |                      |
| 6   | 86.5213       | OG5497 | Einschraubtülle                   | Hose clip connector               |                 |                      |
| 7   | 12.9924       | OG2824 | Schlauchschelle                   | Hose clamp                        |                 |                      |
| 8   | 12.9043       | OK5361 | Schlauch Ø10 Ø14                  | Hose Ø10 Ø14                      |                 |                      |
| 9   | 1 102 2468    | OG6234 | Überschnittbuchse 1/2" - 1/4"     | Hex head bushing 1/2" - 1/4"      |                 |                      |
| 10  | 1 102 2435    | ???    | T-Stück G1/2"                     | Tee G1/2"                         |                 |                      |
| 11  | 1 701 7558    | ???    | Schlauchnippel 1/2"               | Hose nipple 1/2"                  |                 |                      |
| 12  | 12.9827       | OG2823 | Schlauchklemme                    | Hose clamp                        |                 |                      |
| 13  | 87.5079       | ???    | Dampfschlauch                     | Steam hose                        |                 |                      |
| 14  | 1 116 1133    | OG4513 | Doppelnippel 1/2"x60              | Double nipple 1/2"x60             |                 |                      |
| 15  | 1 201 2189    | ???    | Rohrklammer Ø20-23                | Pipe clamp Ø20-23                 |                 |                      |
| 16a | 87.5082       | ???    | Grundplatte mit Muffe             | Metal plate with bushing          | H700/800        |                      |
| 16b | 87.5189       | ???    | Grundplatte mit Muffe             | Metal plate with bushing          | H400            |                      |
| 17  | 1 116 1199    | OG4370 | Buchse 3/4" - 1/2"                | Hex head bushing 3/4" - 1/2"      |                 |                      |
| 18  | 86.7016.KD    | OG5674 | Kugelventil Gruner 230V           | Ball valve Gruner 230V            | Standard/Marine |                      |
|     | 87.9165       | ???    | Kugelventil Gruner 240V UL        | Ball valve Gruner 240V UL         | UL              |                      |
| 19  | 1 101 3823    | OG5498 | Verschraubung                     | Fitting                           |                 |                      |
| 20a | 86.5259.02    | ???    | Kühlrohr                          | Cooling pipe                      | H400            |                      |
| 20b | 86.5259.01    | ???    | Kühlrohr                          | Cooling pipe                      | H700/800        |                      |
| 21  | 1 101 2148    | OG5499 | Gerade Verschraubung              | Straight fitting                  |                 |                      |
| 22  | 86.5211       | OG5502 | Blende Kühlwasser Ø14.8/2.5x4     | Nozzle Cooling water Ø14.8/2.5x4  |                 |                      |
| 23  | 76.3048       | OK5342 | Magnetventil mit Spule            | Solenoid valve and coil           |                 |                      |
| 24  | 87.7088       | ???    | Nippel 1/2"-3/8"                  | Nipple 1/2"-3/8"                  |                 |                      |
| 25  | 712 044481.21 | OG3610 | Flachdichtung Ø18Ø11x2            | Flat seal Ø18Ø11x2                |                 |                      |
| 26  | 86.7135.04    | ???    | Panzerschlauch G1/2" - G1/2" x400 | Armored hose G1/2" - G1/2" x400   |                 |                      |
| 27  | 87.5168       | OG6646 | WFA Adapter                       | WFA adapter                       |                 |                      |
| 28  | 87.5226       | ???    | Adapter Wandanschluss             | Adapter for wall connection       | with mixer tap  |                      |
| 39  | 1 117 1119    | OK4573 | Schlauch Ø29 ø22                  | Hose Ø29 ø22                      |                 |                      |
| 30  | 87.1492       | ???    | Rohrbogen                         | Bended pipe                       |                 |                      |
|     | 87.9007       | OG6380 | Kabel: COP20 - Dampfvernichter    | Cable: COP20 - Steam condensation |                 |                      |



| 14 | Alias         | Code   | Bezeichnung  | Description  | Ref. | Valid from Serial N° |
|----|---------------|--------|--|--|------|----------------------|
|    | 76.2013.01_KD | OKL304 | Kit Zweihebel-Mischbatterie 330x600mm<br>Kit enthält Pos.: 1-16, 18-20, 22 | Kit mixing tap, 2 knobs, 330x600mm<br>Kit contains pos.: 1-16, 18-20, 22 |      |                      |
| 1  | 712 344884.04 | OK5360 | KWC Schwenkauslauf 3/4", 600mm   | KWC swivel spout 3/4", 600mm   |      |                      |
|    | 712 344884.03 | OK5358 | KWC Schwenkauslauf 3/4", 450mm   | KWC swivel spout 3/4", 450mm   |      |                      |
|    | 712 344884.02 | OK5359 | KWC Schwenkauslauf 3/4", 300mm   | KWC swivel spout 3/4", 300mm   |      |                      |
| 2  |               | OK3930 | Dichtungsringe   | Sealing rings  |      |                      |
| 3  | 712 344884.01 | OK5355 | KWC Zweihebel-Mischbatterie  | KWC Mixing tap, 2 knobs  |      |                      |
| 4  |               | OK5357 | Ventileinsatz 3/4"   | Valve insert 3/4"  |      |                      |
| 5a |               | OK5826 | Griff blau   | Knob blue  |      |                      |
| 5b |               | OK5827 | Griff rot  | Knob red   |      |                      |
| 6  |               | OG3239 | Set Verschraubung 5/4"   | Kit Fixation 5/4"  |      |                      |
| 7  | 72.5976.01    | OG5227 | Standrohr 460mm  | Stand pipe 460mm   |      |                      |
|    | 72.5976.02    | OG3179 | Standrohr 330mm  | Stand pipe 330mm   |      |                      |
|    | 72.5976.03    | OG4753 | Standrohr 160mm  | Stand pipe 160mm   |      |                      |
| 8  | 72.0435       | OG3091 | Rosette zu Standrohr   | Stand pipe collar  |      |                      |
| 9  | 72.5919       | OKT745 | Sicherungsring   | Fixation ring  |      |                      |
| 10 | 712 044480.14 | OKT793 | O-Ring ORM 0530-20   | Joint ORM 0530-20  |      |                      |
| 11 | 1 701 2632    | OG3677 | Sechskantschraube M4 x 16  | Hex bolt M4x16   |      |                      |
| 12 | 1 701 5002    | OKL273 | Federring M4   | Spring washer M4   |      |                      |
| 13 | 76.0119.01    | OT2659 | Konsole Mischbatterie  | Console mixing tap   |      |                      |
| 14 | 712 044120.05 | OG3998 | Kepsmutter M5  | Keps nut M5  |      |                      |
| 15 | 76.0033       | OG3979 | Hutprofil  | Clamping profile   |      |                      |
| 16 | 1 101 8129    | OG3676 | Innensechskantschraube M5 x 16   | Allen bolt M5 x 16   |      |                      |
| 17 |               | OG3238 | Tropfenschutz 3/4"   | Drip stop 3/4"   |      |                      |
| 18 | 712 344893.01 | OKW734 | Panzerschlauch L1700 G1/2" / R1/2"   | Armored hose L1700 G1/2" / R1/2"   |      |                      |
|    | 712 344893.02 | OK5363 | Panzerschlauch L1100 G1/2" / R1/2"   | Armored hose L1100 G1/2" / R1/2"   |      |                      |
|    | 712 344893.03 | OG6530 | Panzerschlauch L600 G1/2"  | Armored hose L600 G1/2"  |      |                      |
| 19 | 712 04481.21  | OG3610 | Flachdichtung Ø 18/11x2 G1/2"  | Flat seal Ø 18/11x2 G1/2"  |      |                      |
| 20 | 1 101 3797    | OKE129 | Stützhülse   | Sleeve   |      |                      |
| 21 | 1 101 3798    | OK4489 | Winkel-Anschluss G1/2"   | Angle connection G1/2"   |      |                      |
| 22 | 1 101 2075    | OKX119 | Anschluss G1/2"  | Connection G1/2"   |      |                      |
| 23 | 87.5168       | OG6646 | WFA Adapter G1/2"  | WFA Adapter G1/2"  |      |                      |
| 24 | 712 344884.05 | *      | KWC Einhebel-Mischbatterie   | KWC mixing tap, one lever  |      |                      |
| 25 |               | OK1140 | Steuerpatrone  | Mixer tap cartridge  |      |                      |
| 26 | Z.632.240     | KWC    | Kunststoffeinsatz  | Plastic insert   |      |                      |
| 27 | Z.602.997     | KWC    | Schraube M4 x 15   | Screw M4 x 15  |      |                      |
| 28 | Z.535.675     | KWC    | Befestigung mit Gleitringen  | Fixation with slide rings  |      |                      |
| 29 | Z.634.829     | KWC    | Bedienhebel , chrom  | Control lever, chrome  |      |                      |
| 30 | Z.605.952     | KWC    | Gewindestift M6 x 10   | Set screw M6 x 10  |      |                      |
| 31 | Z.535.674     | KWC    | Bedienhebel mit Befestigung  | Control lever with fixation  |      |                      |



| 15  | Alias         | Code   | Bezeichnung                            | Description                       | Ref. | Valid from Serial N° |
|-----|---------------|--------|--|-----------------------------------|------|----------------------|
| 1   | 712 344852.24 | OG6841 | Gewindemuffe 1/2"                      | Turnbuckle 1/2"                   |      |                      |
| 2   | 712 344893.03 | OG6530 | Panzerschlauch L600                    | Armored hose L600                 |      |                      |
| 3   | 1 701 2827    | OG6842 | Hutfilter 1/2-50/50 H12                | Filter insert 1/2-50/50 H12       |      |                      |
| 4   | 1 116 1219    | OG6843 | Reduziernippel                         | Reduction nipple                  |      |                      |
| 5   | 86.1086       | OG6844 | Kugelhahn mini 3/8"                    | Ball valve mini 3/8"              |      |                      |
| 6   | 86.1087       | OG6845 | Rückschlagventil 3/8"                  | Check valve 3/8"                  |      |                      |
| 7   | 87.5147       | OG6846 | Schlauch Ø10                           | Hose Ø10                          |      |                      |
| 8   | 1 101 2156    | OG6847 | Gerade Verschraubung mit Rohranschluss | Straight pipe fitting             |      |                      |
| 9   | 86.7120       | OG6839 | Einhebelmischer                        | One-lever mixer tap               |      |                      |
| 10  | 712 044481.04 | OG3951 | Flachdichtung Ø24x17x2                 | Flat sealing                      |      |                      |
| 11  | 1 116 1156    | OG6848 | Muffe halb 3/4" - 1/4"                 | Turnbuckle 3/4" - 1/4"            |      |                      |
| 12  | 1 117 1296    | OG6851 | Buchse 3/4" - 1/4"                     | Hex bushing 3/4" - 1/4"           |      |                      |
| 13  | 1 101 3901    | OKT947 | Verschraubung mit Einschraubnippel     | Pipe fitting with threaded nipple |      |                      |
| 14  | 87.4035       | *      | Halter Spray Gun oben                  | Upper spray gun support           |      |                      |
| 15  | 86.7123       | OG5969 | Spray Gun                              | Spray gun                         |      |                      |
| 15a | 87.7068       | OG6579 | Schlauch EPDM zu Spray Gun             | Hose EPDM for spray gun           |      |                      |
| 16  | 87.5152       | *      | Halter Spray Gun oben (H400)           | Upper Spray gun support (H400)    | H400 |                      |
| 17  | 86.7124       | *      | Frontblende Spray Gun                  | Front panel spray gun             |      |                      |
| 18  | 87.4034       | *      | Halter Spray Gun unten (H700)          | Lower spray gun support (H700)    | H700 |                      |
| 19  | 87.1270       | *      | Halter Spray Gun unten (H800)          | Lower spray gun support (H800)    | H800 |                      |



| 16 | Alias      | Code   | Bezeichnung                  | Description                | Ref.            | Valid from Serial N° |
|----|------------|--------|------------------------------|----------------------------|-----------------|----------------------|
| 1  | 75.0010    | 0H9835 | Kapillarrohrbegrenzer        | Limiter                    |                 |                      |
| 2  | 87.9092    | 0G6381 | Kabel mit Mikroenschalter    | Cable with mirco switch    | Standard/Marine |                      |
|    | 87.9195    |        | Kabel mit Mikroenschalter UL | Cable with mirco switch UL | UL              |                      |
| 3  | 1 701 1541 | 0G3674 | Schraube M4x10               | Screw M4x10                |                 |                      |
|    |            |        |                              |                            |                 |                      |
|    |            |        |                              |                            |                 |                      |
|    |            |        |                              |                            |                 |                      |
|    |            |        |                              |                            |                 |                      |
|    |            |        |                              |                            |                 |                      |
|    |            |        |                              |                            |                 |                      |
|    |            |        |                              |                            |                 |                      |
|    |            |        |                              |                            |                 |                      |
|    |            |        |                              |                            |                 |                      |
|    |            |        |                              |                            |                 |                      |
|    |            |        |                              |                            |                 |                      |
|    |            |        |                              |                            |                 |                      |
|    |            |        |                              |                            |                 |                      |
|    |            |        |                              |                            |                 |                      |
|    |            |        |                              |                            |                 |                      |
|    |            |        |                              |                            |                 |                      |
|    |            |        |                              |                            |                 |                      |

