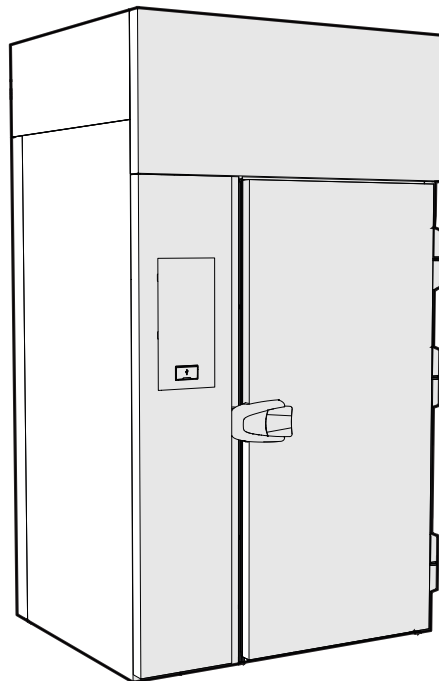


**BLAST CHILLER- FREEZER**

**RANGE BCF ROLL IN 150 - 200 Kg**

Type Reference	Ref	Page	Description
<b>SKCH200B</b>	a	2 to 5	BCF 200/170KG 20 GN 2/1 - ROLL-IN built in 380/400V 50HZ
<b>SKCH150B</b>	b	2 to 5	BCF 150/120KG 20 GN 2/1- ROLL-IN built in 380/400V 50HZ
<b>SKCH150R</b>	c	2 to 5	BCF 150/120KG 20 GN 2/1- ROLL-IN 380/400V 50HZ
<b>SKCH200R</b>	d	2 to 5	BCF 200/170KG 20 GN 2/1 - ROLL-IN remote 380/400V 50HZ
<b>SKCHU200R</b>	e	2 to 5	BCF 200/170KG 20 GN 2/1 - ROLL-IN remote USA 208/60hz



**Index**

Identification "type ref"/identificazione "type ref"	Page
Exploded view body part / Vista esplosa corpo	2
Exploded view evaporator/ Vista esplosa parte evaporante	3
Exploded view cooling unit/ Vista esplosa gruppo refrigerante	4
Control panel/pannello comandi	5
Spare part list/Lista ricambi	6
	7 to 9

...Bold= last change/Grassetto =ultima modifica

Rev. 2

## How to put in relation the “Type Ref.” reported on the data plate with the “Type reference” reported on the front page of the Spare Part Catalogue:

The “Type Ref.” represents a group of models/brands all with similar technical features, hence possible to be reported under the same scheme in terms of exploded views.

**Electrolux**

### SKCH

**B=UNIT ON BOARD CONDENSING UNIT**

**R=REMOTE CONDENSING UNIT**

30 = range 30 kg  
50 = range 50 kg  
70 = range 70 kg  
100 = range 100 kg  
150 = range 150 kg  
200 = range 200 kg

**SKCH = SKYLINE CHILLER\FREEZER**  
(EUROPA\SAUDI ARABIA\KOREA)

**SKCHU = SKYLINE CHILLER\FREEZER**  
(NORD AMERICA)

ES : **SKCH30B** = range 30 kg gn 1\1 with cooling unit (europa etc.)  
**SKCH30R** = range 30 kg gn 1\1 without cooling unit (remote) (europa etc.)  
**SKCHU30B** = range 30 kg gn 1\1 with cooling unit (nord America)  
**SKCHU30R** = range 30 kg gn 1\1 without cooling unit (remote) (nord America)

Find below an identification example: SKCH30B

F.Mod. PNC 9VTX.....	Comm.Model Ser.Nr.....	Type Ref. SKCH30B	2019
W.Tot. kW	Volt.....	Hz.....	Cyclopentane Total Current A
Evaporation Heater El. kW	Class x	GWP	CO2-eq t
Lighting W	Cap.	Refrigerant	Kg
Defrost Power kW	Heating power kW		
NF nominal Charge			
Rated Pressure Mpa		CE	WEEE
<b>IPX4</b>			
Electrolux Professional SPA - Viale Treviso, 15 - 33170 Pordenone (Italy)			

For the right spare code identification follow the steps:

1. Type in the website the PNC reported on the data plate.
2. The website will automatically display this spare part catalogue.
3. The spare part code at this point is referenced through the “Type reference” as from the front page by the relevant “Ref”.

## Come mettere in relazione il “Type Ref.” Riportato sulla targhetta caratteristica con il “Type reference” riportato sul frontespizio del catalogo ricambi:

Il “Type Ref.” Rappresenta un gruppo di modelli/marchi con simili caratteristiche tecniche, ossia possibili da rappresentare con il medesimo schema in termini di vista esplosa.

**Electrolux**

### SKCH

**B=UNITA' CON GRUPPO**

**R=UNITA' PREDISPOSTA REMOTA**

30 = MODELLO 30 kg  
50 = MODELLO 50 kg  
70 = MODELLO 70 kg  
100 = MODELLO 100 kg  
150 = MODELLO 150 kg  
200 = MODELLO 200 kg

**SKCH = SKYLINE CHILLER\FREEZER**  
(EUROPA\SAUDI ARABIA\KOREA)

**SKCHU = SKYLINE CHILLER\FREEZER**  
(NORD AMERICA)

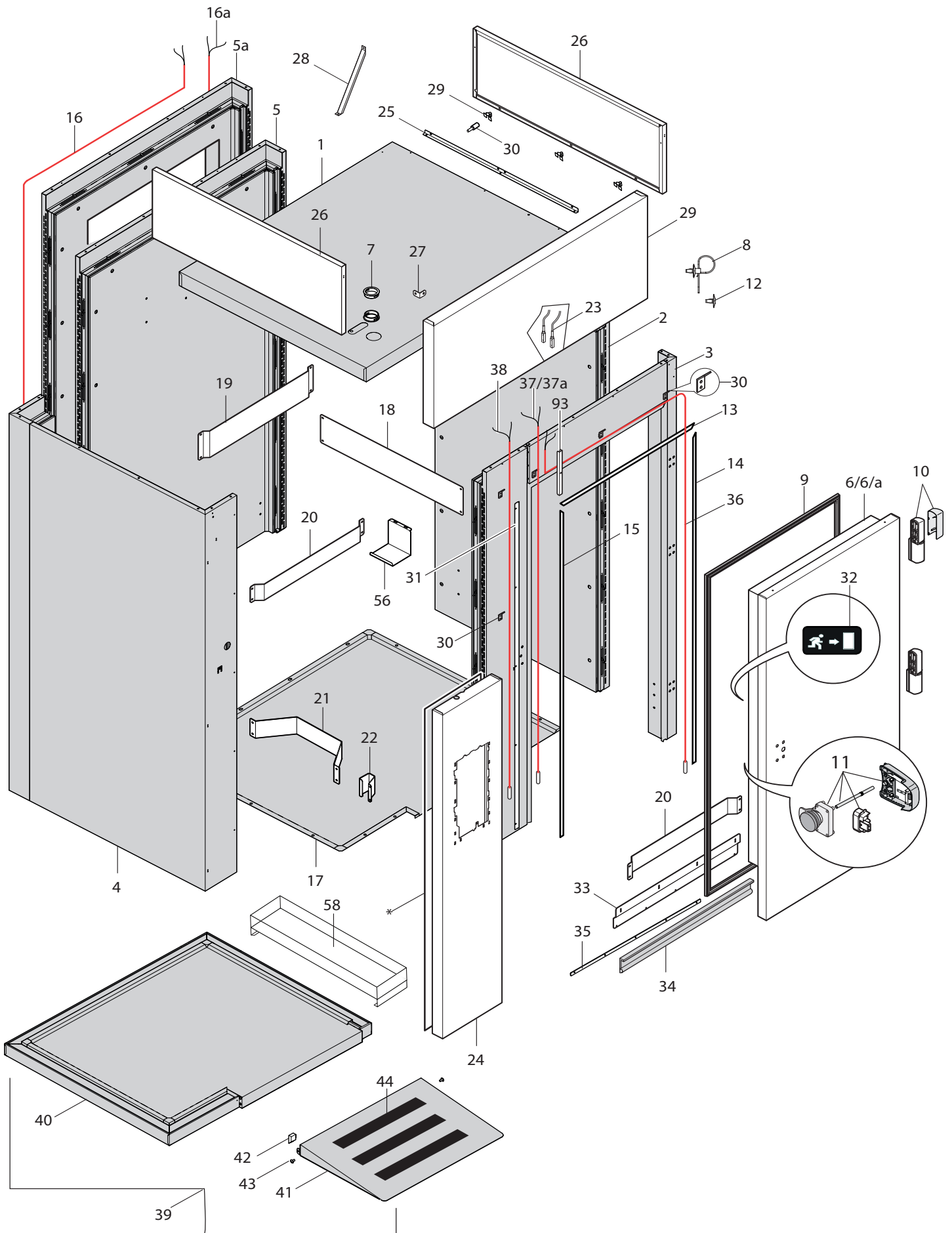
ES : **SKCH30B** = range 30 kg gn 1\1 con gruppo (europa etc.)  
**SKCH30R** = range 30 kg gn 1\1 predisposto remoto (europa etc.)  
**SKCHU30B** = range 30 kg gn 1\1 con gruppo (nord America)  
**SKCHU30R** = range 30 kg gn 1\1 predisposto remoto (remote) (nord America)

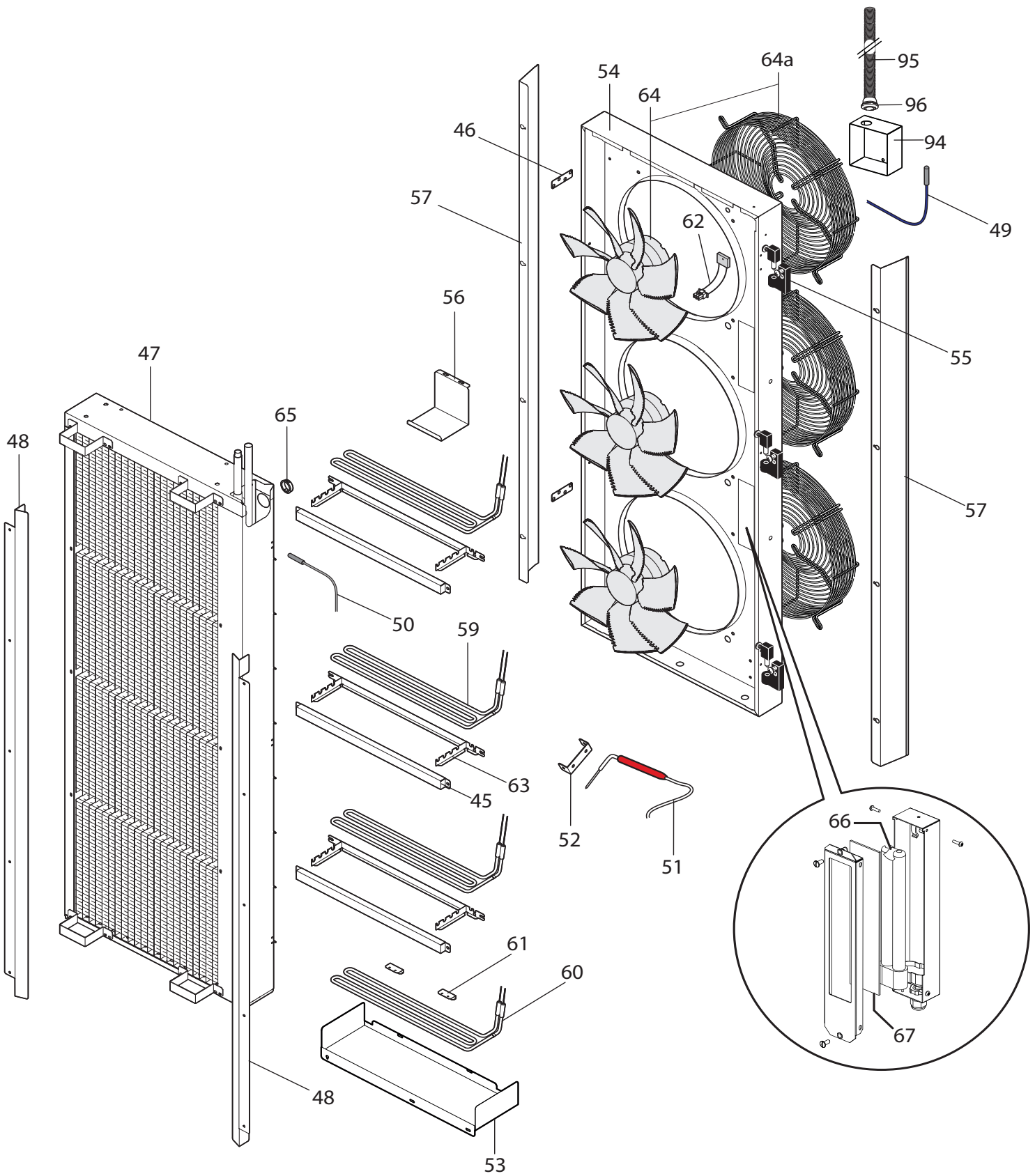
Qui di seguito un esempio di identificazione: SKCH30B

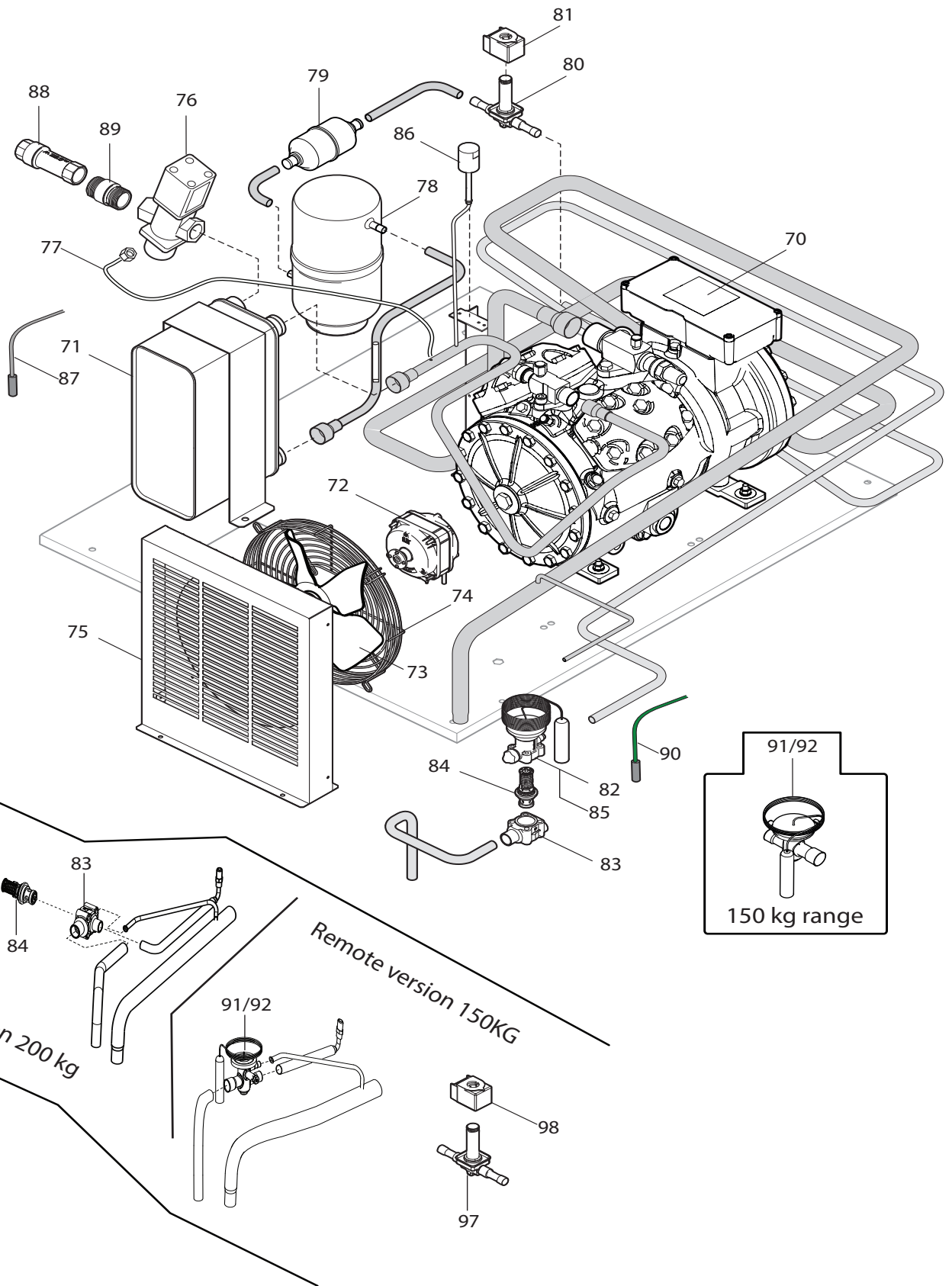
F.Mod. PNC 9VTX.....	Comm.Model Ser.Nr.....	Type Ref. SKCH30B	2019
W.Tot. kW	Volt.....	Hz.....	Cyclopentane Total Current A
Evaporation Heater El. kW	Class x	GWP	CO2-eq t
Lighting W	Cap.	Refrigerant	Kg
Defrost Power kW	Heating power kW		
NF nominal Charge			
Rated Pressure Mpa		CE	WEEE
<b>IPX4</b>			
Electrolux Professional SPA - Viale Treviso, 15 - 33170 Pordenone (Italy)			

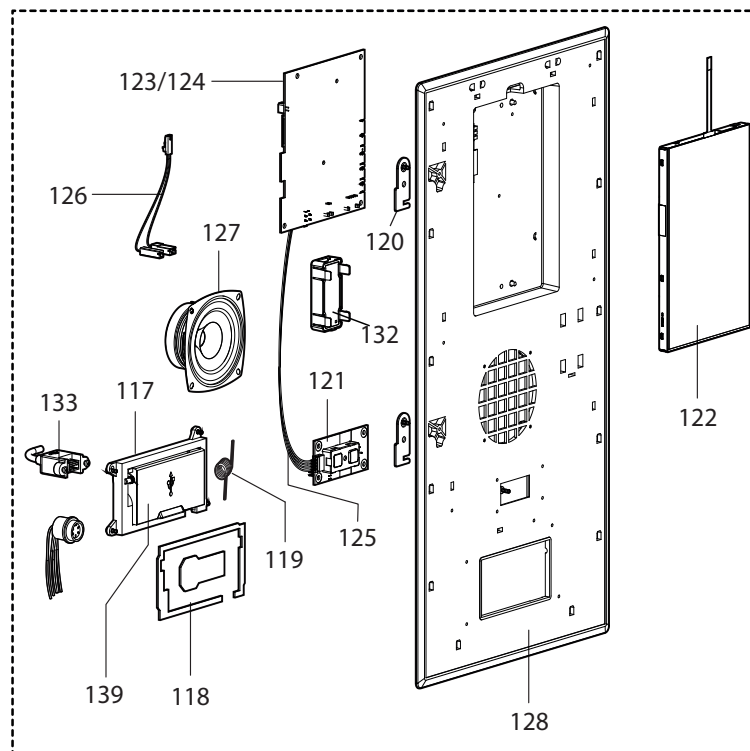
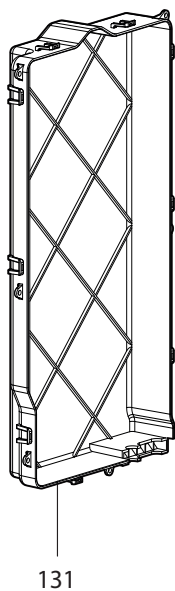
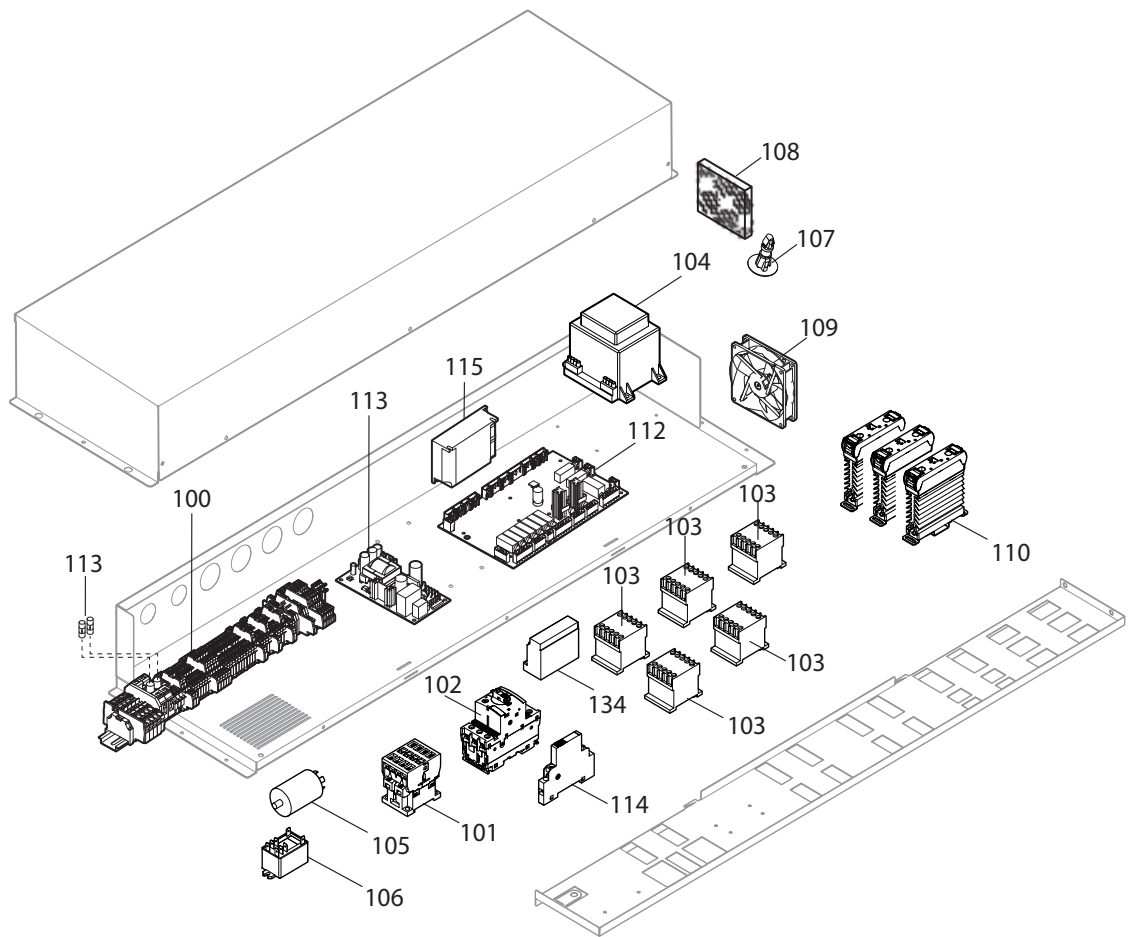
Per identificare il corretto codice ricambio procedere con:

1. Digitare nel website il PNC riportato sulla targhetta caratteristica.
2. Il website mostrerà automaticamente questo catalogo ricambi.
3. A questo punto, il codice ricambio è identificabile attraverso il “Type reference” come indicato nel frontespizio sotto la relativa voce “Ref”.









**note:** replacing n°122 order also 130  
replacing n°128 order also 130

116

Pos	Code	Factory code	Description	Descrizione	Ref/notes
1	096403	0835R72501	Upper panel	Pannello superiore	
2	096399	0835R23503	Right panel	Pannello destro	
3	096400	0835R23604	Door panel	Pannello per porta	
4	096398	0835R74300	Left panel	Pannello sinistro	
5	096401	0835R23802	Back panel standard	Pannello schienale standard	
5a	096402	0835R24704	Back panel to pass-through	Pannello schienale passante	
6	096505	0877789807	Door standard right	Porta dx standard	
6a	095491	0877794303	Door left to pass-Through	Porta sx per passante	
7	0L3177	0639735400	Wiring bush	Passacavo uscita cavi	
8	095928	0C03010591	Opening clamp	Fascetta apribile "messicano"	Up to 2020/21
<b>8</b>		<b>0639622800</b>	<b>Opening clamp</b>	<b>Fascetta apribile "messicano"</b>	<b>From 2020/22</b>
9	099168	0547751201	Gasket door 849.5x1815.5	Guarnizione porta 849.5x1815.5 mm	
10	094731	0833R34900	Hinge door assembled	Cerniera porta completa	
11	094730	0833R34800	Door closer complete	Chiusura porta completa	
12	091507	0549741500	Plug for panels	Tappo per pannelli	
13	093956	0501747501	Frame upper support	Cornice traversa superiore	
14	090028	0512740401	Vertical frame "right"	Cornice verticale destra	
15	095581	0502R17800	Vertical frame "left"	Cornice verticale sx	
16	096368	0617R27000	Heater frame door right 2680 mm 40.2 W	Cavo riscaldante dx 2680 mm 40.2 W	c,d,e pass-through EU-USA
16a	096369	0617R26900	Heater frame door left 1850 mm 27.8 W	Cavo riscaldante sx 1850 mm 27.8 W	c,d,e pass-through EU-USA
17	096381	0882R68101	Bottom panel	Basamento standard	
<b>17</b>		<b>0883R21200</b>	<b>Bottom panel</b>	<b>Basamento standard</b>	<b>Pass-through from 2020/22</b>
18	089842	0512759203	Right side bumper	Paracolpi laterale dx	
<b>18</b>	<b>090163</b>	<b>0512777201</b>	<b>Right side bumper</b>	<b>Paracolpi laterale dx</b>	<b>Pass-through from 2020/22</b>
19	089843	0512759501	Back upper bumper	Paracolpi superiore schienale	
<b>19</b>	<b>090163</b>	<b>0512777201</b>	<b>Back upper bumper</b>	<b>Paracolpi superiore schienale</b>	<b>Pass-through from 2020/22</b>
20	089844	0512759402	Back lower bumper and door bumper	Paracolpi porta e schienale	
21	096304	0504R16000	Left side bumper	Paracolpi sx carter	Up to 2020/21
<b>21</b>	<b>089845</b>	<b>0512759102</b>	<b>Left side bumper</b>	<b>Paracolpi sx carter</b>	<b>From 2020/22</b>
<b>21</b>	<b>090164</b>	<b>0805770501</b>	<b>Left side bumper</b>	<b>Paracolpi sx carter</b>	<b>From 2020/22 pass-through</b>
22	096303	0504R14700	Left inlet bumper	Paracolpi sx entrata	
23	096002	0640R04101	Door microswitch	Sensore porta	
24	096328	0850R25501	Vertical control panel electrolux	Cruscotto verticale electrolux	electrolux
24	096371	0850R25601	Vertical control panel other brand	Cruscotto verticale other brand	all brand
25	096196	0505R12601	Support corner	Angolare fissaggio laterale	
26	093957	0512748506	Upper side panel "left and right"	Pannelli superiori dx e sx	a,b
26	094758	0512748906	Upper side panel "left and right"	Pannelli superiori dx e sx	c,d,e
27	096197	0505R15000	Upper small bracket for upper side panel	Staffa piccola per pannelli superiori	
28	0TTZXM	0505R13100	Upper bracket for upper side panel	Staffa per pannelli superiori	
29	096346	0509R258f00	Upper Dashboard	Pannello superiore	a,b
29	095604	0509R15204	Upper Dashboard	Pannello superiore	c,d,e up to 2020/26
<b>29</b>		<b>0509R15301</b>	<b>Upper Dashboard</b>	<b>Pannello superiore</b>	<b>c,d,e pass-through from 2020/27</b>
30	093793	0505R12800	Bracket for upper dashboard	Staffetta per cruscotto superiore	
31	094761	0501R63501	Vertical protection heater	Protezione verticale resistenza	
32	094732	0598R66200	Sticker internal door	Adesivo interno porta	Up to 2020/21
<b>32</b>		<b>0598R97900</b>	<b>Sticker internal door</b>	<b>Adesivo interno porta</b>	<b>From 2020/22</b>
33	090029	0512748101	Lower gasket support door	Guida guarnizione porta inferiore	
34	099167	0547748701	Lower gasket door	Guarnizione inferiore porta	

Pos	Code	Factory code	Description	Descrizione	Ref/notes
35	089840	0512748003	Gasket lower support door	Supporto inferiore guarnizione porta	
36	096347	0617R26301	Heater frame door right 2700 mm 40.2 W	Cavo riscaldante dx 40.2 W	
<b>36</b>		<b>0617R03H00</b>	<b>Heater fr. door right 43.2 W 2880 mm</b>	<b>Cavo riscaldante dx 43.2 W</b>	<b>d 2x20</b>
37	096361	0617R28000	Heater frame door left 27.8 W 3350 mm	Cavo riscaldante cornice sx 27.8 W	
37a	096347	0617R26301	Heater fr. used with ramp 40.2 W 2700 mm	Cavo riscaldante dx e con rampa 40.2 W	
38	096200	0617R26200	Heater left door panel 27.8 W 2850 mm	Cavo riscaldante pannello 27.8 W	
39	096540	0835R32Q00	Foamed bottom complete	Ass. fondo schiumato completo	
40	096214	0835R34901	Foamed bottom	Fondo schiumato	
41	096213	0833R27900	Ramp	Rampa	
42	096195	0502R40700	Heater frame cover ramp	Protezione resistenza rampa	
43		0217045145	Screws M8X16 AISI 304	Vite M8X16 AISI 304	
44	096316	0546R31700	Anti-slip roll	Rotolo antiscivolo	
45	096194	0501R47400	Heater hand protection	Protezione mani resistenze	
46	096198	0505R15100	Locking bracket	Piattina di chiusura	
47	096380	0858R17601	Evaporator with covers in stainless steel	Evaporatore con coperture	
48	093824	0501R46300	Vertical splash guard right_left	Paraspruzzi verticale evaporatore	
49	096205	0646R21600	Cavity sensor blu color	Sonda 6X20 blu 'CELL' resinata	
50	096206	0646R21700	Evaporator sensor grey color	Sonda 6X20 grigia 'evaporatore' resinata	
51	096208	0646R22200	Food probe 3 sensors	Spillone conico 3 punti	a,b,c,d
51	096431	0653R00000	Food probe 3 sensors	Spillone conico 3 punti	e
52	089860	0506748800	Food probe support	Supporto sonda spillone	
53	093823	0805768305	Evaporator water collector	Bacinella raccolta condensa evaporatore	Up to 2020/21
<b>53</b>	<b>096555</b>	<b>0805R00H00</b>	<b>Evaporator water collector</b>	<b>Bacinella raccolta condensa evaporatore</b>	<b>From 2020/22</b>
54	096193	0858759802	Carter evaporator	Carter evaporatore	Up to 2020/26
<b>54</b>	<b>096554</b>	<b>0850R04A00</b>	<b>Carter evaporator</b>	<b>Carter evaporatore</b>	<b>From 2020/27</b>
55	090040	0830764200	Carter hinge	Cerniera carter evaporatore	
56	096308	0504R16900	Wiring protection	Protezione cavi evaporatore	
57	096192	0512716401	Air conveyor	Convogliatore aria	Up to 2020/21
<b>57</b>	<b>096544</b>	<b>0504R19200</b>	<b>Air conveyor</b>	<b>Convogliatore aria</b>	<b>From 2020/22</b>
58	091292	0833R12600	Water manual collector	Bacinella manuale di raccolta condensa	
59	093228	0617724101	Defrost heater 1000 Watt 230V	Resistenza di sbrinamento 1000 Watt	a,b,c,d
59	093231	0617727701	Defrost heater 1000 Watt 208V	Resistenza di sbrinamento 1000 Watt	e
60	089863	0617724000	Bottom evaporator heater 1500 Watt 230V	Resistenza sotto evaporatore 1500 Watt	a,b,c,d
60	096356	0617R27500	Bottom evaporator heater 1500 Watt 208V	Resistenza sotto evaporatore 1500 Watt	e
61	095762	0512717400	Stopper bottom evaporator heater	Fissaggio resistenza sotto evaporatore	
62	096210	0652R02600	Safety thermostat 93°C 120 VDE	Termofusibile 93°C VDA	a,b,c,d
62	096365	0652R02900	Safety thermostat 93°C 120 UR	Termofusibile 93°C UR	e
63	096191	0512713501	Defrost heater support	Supporto resistenza	
64	084914	0682708602	Cavity fan 400V 50/60Hz 1350/1050Rpm	Ventilatore cella 400V 50/60Hz 540/360W	a,b,c,d
64	099172	0682719401	Cavity fan 208V 50/60Hz 1350/1050Rpm	Ventilatore cella 208V 50/60Hz 540/360W	e
64a	096311	0514R29200	Protection cavity fan aisi	Griglia di protezione ventilatore AISI	e
65	094001	0639711100	Wiring hole protection	Passacavo	
66	093949	661R01100	UV lamp 18W2G11	Lampada UV 18 W	
67	093097	549R05400	Glass for uv lamp	Vetro per lampada UV	
70	096212	0684R13500	Compressor H751CS	Compressore H751CS	a
70	096367	0684R14500	Compressor H505CS	Compressore H505CS	b
<b>70</b>	<b>096549</b>	<b>0684R13400</b>	<b>Compressor H705CS</b>	<b>Compressore H705CS</b>	<b>b 60 Hz</b>
<b>70</b>	<b>096550</b>	<b>0684R15000</b>	<b>Compressor H751CS</b>	<b>Compressore H751CS</b>	<b>a 60 Hz</b>
71	084899	0830766700	H2O condenser B10THx 70P	Condensatore ad acqua B10THx 70P	a

Pos	Code	Factory code	Description	Descrizione	Ref/notes
71	084939	0830763700	H2O condenser B10THx 40P	Condensatore ad acqua B10THx 40P	b
72	096211	0682R13600	Fan condenser motor	Ventilatore condensatore	
<b>73</b>	<b>084781</b>	<b>0511704700</b>	<b>Fan D 254/28°</b>	<b>Ventola D 254/28°</b>	
<b>73</b>	<b>094955</b>	<b>0511R01900</b>	<b>Fan D 254/31°</b>	<b>Ventola D 254/31°</b>	<b>a,b 60 Hz</b>
74	092651	0514R07500	Grid protection fan condenser	Griglia ventilatore	
<b>74</b>	<b>096468</b>	<b>0514R05A00</b>	<b>Grid protection fan condenser</b>	<b>Griglia ventilatore</b>	<b>a,b 60 Hz</b>
75	096343	0504R03701	Support protection fan	Protezione ventilatore	
76	092277	0646R09100	Pressostatic valve H2O V46 AC 9300	Valvola pressostatica H2O V46 AC 9300	
77	096199	0515R22300	Cappillary 1.5M 1/4' for press. valve	Cappillare 1,5 M racc. 1/4' press.valvola	
78	083468	0805725601	Tanic reciver LT 2.3	Recivitore di liquido LT 2.3	
79	090046	0805766400	Filter DLC	Filtro DLC	
80	089867	0646759600	EVR 10 Valve 12 mm	Valvola EVR 10 12mm	
81	088351	0646749000	BoB.clip 10W EVR6 230/230 50/60hz	Bobina 10W EVR6 230/230 50/60hz	
82	085447	0646729600	Thermostatic element TES5 67B3357	Elemento termostatico TES5 67B3357	a,d (gas R452/404)
82	096364	0646R23200	Thermostatic element TES5 067B3252	Elemento termostatico TES5 67B3357	e (gas R448/449/407c)
83	096202	0646R20400	Body Valve to solder 067B4002 12/16	Corpo valvola a saldare 067B4002 12/16	a,d,e
84	084906	0646727300	Orifice 02 67B2790	Orificio valvola N°2 67B2790	a,d,e
85	096315	0544R10000	Insulation valve, thermich insulation	Protezione valvola , isolamento termico	a,d,e
86	096201	0646R20300	Pressostat AC 250V OFF 31 bar On 24 bar	Pressostato 250V OFF 31 bar On 24 bar	
87	096204	0646R21500	Probe condenser Black	Sond condensatore nera	
87	096321	0646R22300	Probe condenser Black	Sonda condensatore nera	e
88	<a href="#">0L2980</a>	0652608800	Double non-return valve AVG 2NV20-20 FXF	Doppia valvola di ritegno AVG 2NV20-20 FXF	
89	072457	0W00526300	Joint 3/4X3/4MM	Raccordo 3/4X3/4MM	
90	096207	0646R21800	OUT probe green color	Sonda "OUT evap" di colore verde	
91	096203	0646R20500	Thermost. valve or.3 con attacchi1/2 x 5/8	Valvola thermost. or.3 con attacchi1/2 5/8	b,c R452a/404a
92	096314	0544R09900	Insulation valve, thermich insulation	Protezione valvola , isolamento termico	b,c
93	096306	0504R16600	Heating cables cover BCF 150/200 JJ	Protezione cavi bcf	
<b>94</b>	<b>096300</b>	<b>0504R12601</b>	<b>Protection box cavity fan UL</b>	<b>Calotta di protezione ventilatore cella UL</b>	<b>e</b>
95		0544400801	Flexible metal conduit SS L=0.27m UL	Tubo in ss per cavi ventilatori UL	e
96	096313	0544R09800	Connection of fitting and conduit M20x15	Raccordo per tubo in SS ventilatori UL	
97	089867	0646759600	EVR 10 Valve 12 mm usa UL	Valvola EVR 10 12mm UL	e
98	099180	0858741600	BoB.coil 208-240V 50-60HZ UL	Bobina 10W EVR6 230/230 50/60hz UL	e
100	096362	0639R21701	Complete clamp /150/200 kg	Morsettiera completa 150/200KG	a,b
<b>100</b>	<b>096319</b>	<b>0639R22002</b>	<b>Complete clamp /150/200 kg</b>	<b>Morsettiera completa 150/200KG</b>	<b>c,d,e</b>
101	090064	0648729600	Contactore B&J K3-22 A10-230	Contattore B&J K3-22 A10-230	a,b,c,d
102	096322	0648R11500	Motor protective switch MS132-25 (20-25A)	Salvatore ABB MS132-25 (20-25A)	a
102	093194	0640R01900	Motor protective switch MS132-20 (16-20A)	Salvatore ABB MS132-20 (16-20A)	b
103	088557	0648727100	Contactore K1-09D10 230 (COIL 220-230/50 240/60)	Teleruttore K1-09D10 230 (COIL 220-230/50 240/60)	a,b,c,d
103	090099	0648729300	Contactore K1-09D10 230 (COIL 200/50 240/60)	Teleruttore K1-09D10 230 (COIL 200/50 240/60)	e
104	093625	0624R01700	Voltage adaptor 230/42V 170VA	Trasformatore 230/42V 170VA	a,b,c,d
104	096430	624R00A00	Voltage adaptor 208/42V 170VA	Trasformatore 208/42V 170VA	e
105	084987	0694700800	Filter ( L.C)	Filtro elettrico 411.5.14.41.0 (TIPO L-C)	a,b - c,d up to 2020/21 - d UV lamp
<b>105</b>	<b>059078</b>	<b>0694502400</b>	<b>Filter ( L.C)</b>	<b>Filtro elettrico 411.5.24.41.0D (TIPO L-C)</b>	<b>c,d from 2020/22</b>
106	093848	0648R06300	Relay 66.82.8.230.0001	Relè 66.82.8.230.0001	
107	095984	0546401600	Clip for board	Distanziale per scheda	
108	096312	0514R29600	Electric box filter	Filtro scatola elettrica	a,b,c,d 50 Hz
109	<a href="#">OCA716</a>	0682400300	Assial fan 92x25	Ventilatore assiale 92x25	
110	096209	0648R11100	Relay 50A + heat sink	Relè con dissipatore 50A	
111	096010	0648R08602	ACU PETRA BCF	Scheda principale PETRA	Up to 2020/19

Pos	Code	Factory code	Description	Descrizione	Ref/notes
111	096557	0648R10900	ACU PETRA BCF	Scheda principale PETRA	From 2020/21
112	095639	0648R10000	Main board power supply 12V 30W	Scheda principale di potenza 12V 30W	a,b,c,d
112	096342	0648R11400	Main board power supply 12V 54W UL	Scheda principale di potenza 12V 54W	e
113	095933	0652R02400	Glass fuse 10A T 5x20	Fusibile in vetro 5X20	
113	0L3083	0652608900	Fuse 10A T 5x20 250V	Fusibile ceramico 5X20	a,b, 60Hz - e
114	091725	640R01000	Ausiliary contactor HK-11	Contatto ausiliario per slavamotore HK-11	
115	093950	624R01600	Electronich power UV light 188700	Alimentatore elettronico per UV lampada	
116	0CK080	0855R17400	Complete CMK touch UI	Assieme gruppo scheda e pannello	
117	0CK030	0546400U00	Drawer slot USB	Ckm sede per Usb	
118	0CK031	0543401P02	Gasket drawer slot USB	Guarnizione per sede supporto USB	
119	0CK032	0514405000	Spring drawer slot USB	Molla per sede supporto USB	
120	0CK432	0506405M00	Hook/support for Cmk Touch UI	Gancio per pannello di controllo	
121	0CK033	0675401G00	CKM ON/OFF board	Scheda ON/OFF	
122	0CK034	0673400900	Display cmk JDI 7"	Display cmk JDI 7"	
123	0CK035	0675401H00	Core Board dave CMK	Scheda core dave	
124	0CK036	0675401J00	Bridge board CMK	Scheda bridge	
125	0CK045	0675401Q00	CKM ON/OFF board wiring	Cavetto scheda ON/OFF	
126	0CK330	0675401L00	Speaker wiring	Cavetto speaker	
127	0CK039	0655400000	Speaker 4 ohm	Speaker 4 ohm	
128	0CK040	0543401N01	Plastic frame touch	Pannello in plastica touch	
129	0CK041	0546400V00	Cover slot USB	Sportello USB	
130	095934	0755R13901	Adhesive decor Electrolux	Membrana Electrolux	electrolux
130	095935	0755R16101	Adhesive decor Zanussi	Membrana Zanussi	zanussi
130	095936	0755R16201	Adhesive decor Alpeninox	Membrana Alpeninox	alpeninox
130	0CK332	0541401V01	Adhesive decor To brand	Membrana To brand	to brand
131	0CK161	0541401D01	Protection comand panel	Copertura pannello comandi touch	
132	0CK042	0875406301	WI Board /NIU	WI Board /NIU	
133	0CK037	0638404D00	USB wiring L 450 mm	Cavo USB L450 mm	
134	096412	0640R00000	Diagnose Kriwan switch INT69-2CB	Modulo Kriwan INT69-2CB-DIAGNOSE	