

# SPEEDELIGHT

PNC	MODEL	Ref	Description	Note
603869	HSPP2RPRS	a	ADJUSTABLE TUBE-REMOVABLE PLATE-RIBBED-PANERA	208V
603870	HSPP3RPRS	b	FLEX-REMOVABLE PLATE-RIBBED-STANDARD	208V
603871	HSPP1BPRP	c	SHORT TUBE-BAKING PAPER-RIBBED-PANERA	208V
603872	HSPP2BPFM	d	ADJUSTABLE TUBE-BAKING PAPER-FLAT-MELT	208V
603873	HSPP1BPRPM	e	SHORT TUBE-BAKING PAPER-RIBBED-PRET A MANGER	208V
603874	HSPP3RPFS	f	FLEX-REMOVABLE PLATE-FLAT-STANDARD	208V
603875	HSG0BPRSE1	g	LONG TUBE-BAKING PAPER-RIBBED-STANDARD EU	220-230V
603876	HSG1BPRSE1	h	SHORT TUBE-BAKING PAPER-RIBBED-STANDARD EU	220-230V
603877	HSG3RPRSE1	j	FLEX-REMOVABLE PLATE-RIBBED-STANDARD EU	220-230V
603878	HSG2RPRSE1	k	ADJUSTABLE TUBE-REMOVABLE PLATE-RIBBED-STANDARD EU	220-230V
603879	HSG2RPRSK1	i	ADJUSTABLE TUBE-REMOVABLE PLATE-RIBBED-STANDARD UK	220-230V
603880	HSG1BPRP1	l	SHORT TUBE-BAKING PAPER-RIBBED-PRET A MANGER	220-230V
603881	HSG0RPRA1	m	FLEX-REMOVABLE PLATE-RIBBED-AUTOGRILL	220-230V
603882	HSG2RPRE1	n	ADJUSTABLE TUBE-REMOVABLE PLATE-RIBBED-EAT	220-230V
603883	HSG0BPRSE3	o	LONG TUBE-BAKING PAPER-RIBBED-STANDARD EU	380-400V
603884	HSG1BPRSE3	p	SHORT TUBE-BAKING PAPER-RIBBED-STANDARD EU	380-400V
603885	HSG3RPRSE3	q	FLEX-REMOVABLE PLATE-RIBBED-STANDARD EU	380-400V
603886	HSG2RPRSE3	r	ADJUSTABLE TUBE-REMOVABLE PLATE-RIBBED-STANDARD EU	380-400V
603887	HSG2RPRSK3	s	ADJUSTABLE TUBE-REMOVABLE PLATE-RIBBED-STANDARD UK	380-400V
603888	HSG1BPFAJ	a1	ADJUSTABLE TUBE-BAKING PAPER-FLAT UK PRET	220-230V
603889	HSG0RPRA3	t	LONG TUBE-REMOVABLE PLATE-RIBBED-AUTOGRILL	380-400V
603892	HSPP2RPFS	u	ADJUSTABLE TUBE-REMOVABLE PLATE-FLAT-STANDARD	208V
603893	HSG3RPRSK1	v	FLEX-REMOVABLE PLATE-RIBBED-STANDARD UK	220-230V
603894	HSG3RPRSK3	w	FLEX-REMOVABLE PLATE-RIBBED-STANDARD UK	380-400V
603895	HSPP3BPRZ	x	FLEX-REMOVABLE PLATE-RIBBED - ZUPAS-US	208V
603897	HSPP1BPRT	y	SHORT TUBE-BAKING PAPER-RIBBED-PANERA	208V
603899	HSG2RPRSE3	z	ADJUSTABLE TUBE-REMOVABLE PLATE-RIBBED-RENT IT	380-400V
603900	HSG2RPR64	b1	ADJUSTABLE TUBE-REMOVABLE PLATE-RIBBED JAP 60	200V
603901	HSG3RPR64	c1	FLEX-REMOVABLE PLATE-RIBBED JAP 60	200V
603902	HSG2RPR54	d1	ADJUSTABLE TUBE-REMOVABLE PLATE-RIBBED JAP 50	200V
603903	HSG3RPR54	e1	FLEX-REMOVABLE PLATE-RIBBED JAP 50	200V
603904	HSG3RPRU2	f1	FLEX-REMOVABLE PLATE-RIBBED STD AUS	420V
603905	HSG2RPRU2	g1	ADJUSTABLE TUBE-REMOVABLE PLATE-RIBBED STD AUS	420V
603910	HSG3RPRSECE	h1	FLEX-REMOVABLE PLATE-RIBBED-CHEF EXPRESS	400V
603911	HSG2BPRP1	i1	ADJUSTABLE TUBE-BAKING PAPER-RIBBED-PRET A MANGER	230V
603912	HSG3RPFSE1	l1	FLEX-REMOVABLE PLATE-FLAT-STANDARD EU	230V
603913	HSG2RPFSE1	m1	ADJUSTABLE TUBE-REMOVABLE PLATE-FLAT-STANDARD EU	230V
603914	HSG3RPFSE3	n1	FLEX-REMOVABLE PLATE-FLAT-STANDARD EU	400V

Rev. 15

From Ser. Nr.... Up to Ser. Nr....	Ed. 2017-02 Updated 2022-03	Page: 1	<b>Doc No: 595402C00</b>
---------------------------------------	--------------------------------	---------	--------------------------

# SPEEDELIGHT

PNC	MODEL	Ref	Description	Note
603915	HSG2RPFSE3	o1	ADJUSTABLE TUBE-REMOVABLE PLATE-FLAT-STANDARD EU	400V
603921	HSG2BPFP3	p1	ADJUSTABLE TUBE-BAKING PAPER-FLAT UK PRET	400V
603922	HSPP2BPFC	q1	ADJUSTABLE TUBE-BAKING PAPER-FLAT-CHIPOTLE	208V
603923	HSPP3BPRS	r1	FLEX- BAKING PAPER -RIBBED-USA SUBWAY	208V
603928	HSPP3BPRS4	s1	SPEEDELIGHT FLEX, RIBBED,BAKING,240V-US	240V
603937	HSPP3RPRUS	t1	SPEEDELIGHT FLEX, RIBBED RTP,240V-US	240V
603938	HSPP3RPFUS	u1	SPEEDELIGHT FLEX, SMOOTH RTP,240V-US	240V
603940	<b>HSPP3RPRS</b>	<b>b</b>	<b>SPEEDELIGHT FLEX, RIBBED RTP,208V-US</b>	<b>208V</b>
603941	<b>HSPP3RPFS</b>	<b>f</b>	<b>SPEEDELIGHT FLEX, SMOOTH RTP,208V-US</b>	<b>208V</b>
603942	<b>HSPP3BPRSY</b>	<b>r1</b>	<b>SPEEDELIGHT FLEX, RIBBED,BAKING,208V-US</b>	<b>208V</b>
603949	<b>HSG3RPRCK3</b>	<b>v1</b>	<b>SPEEDELIGHT FLEX, RIBBED RTP,400V</b>	<b>400V</b>

## Index

General components/componenti generali  
Electric components /componenti elettrici  
Spare part list / lista ricambi

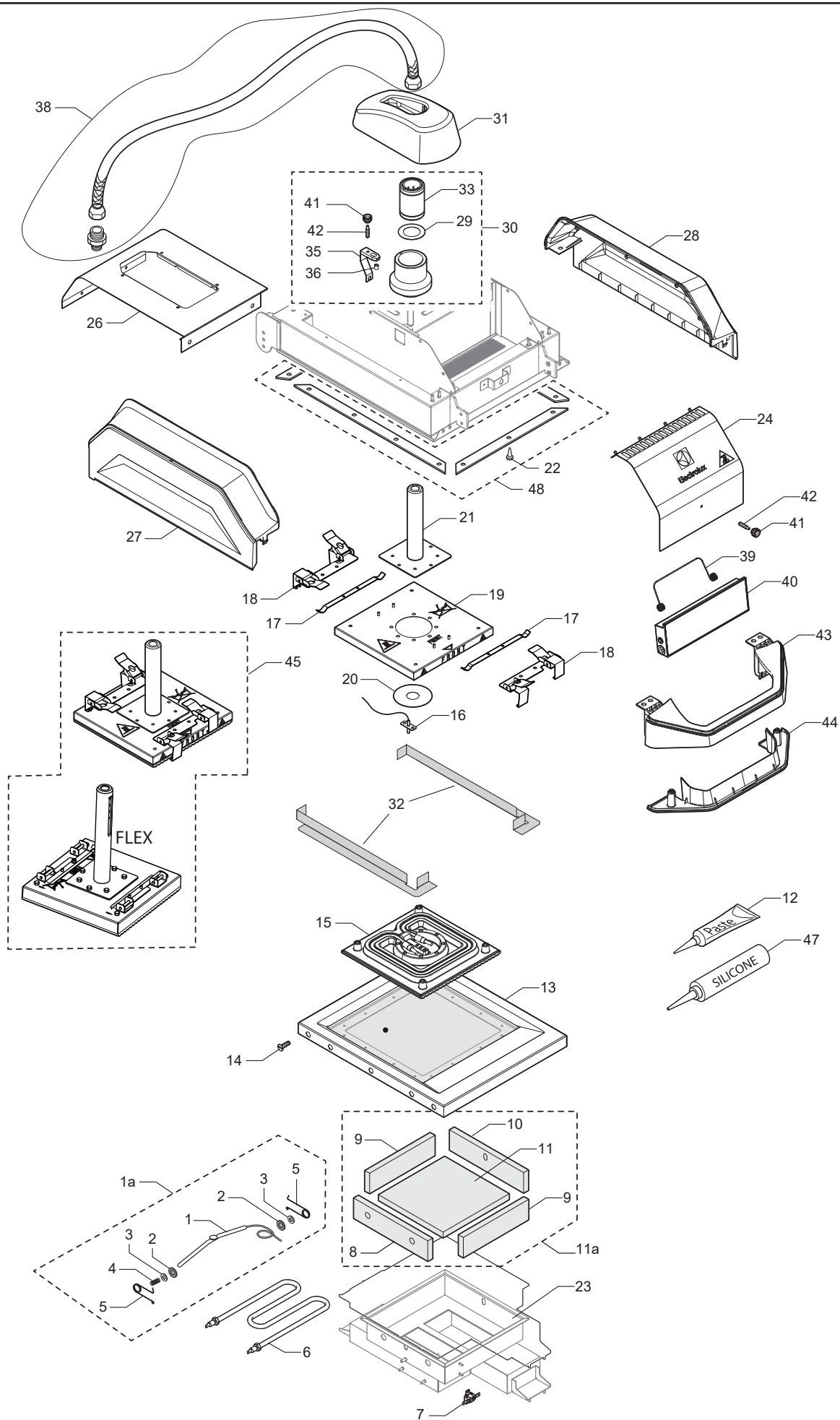
## Page

3-5  
6-7  
8-13

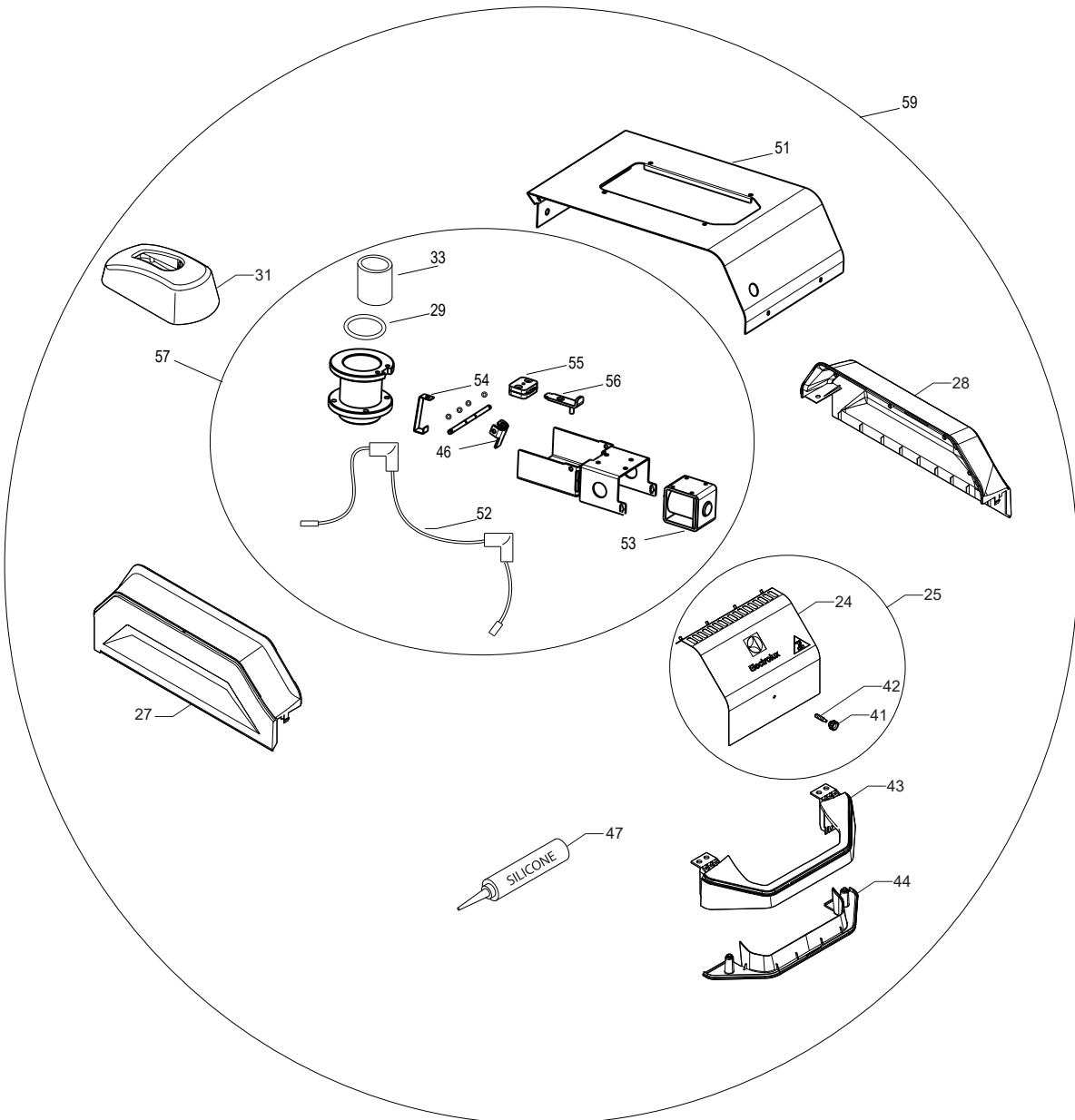
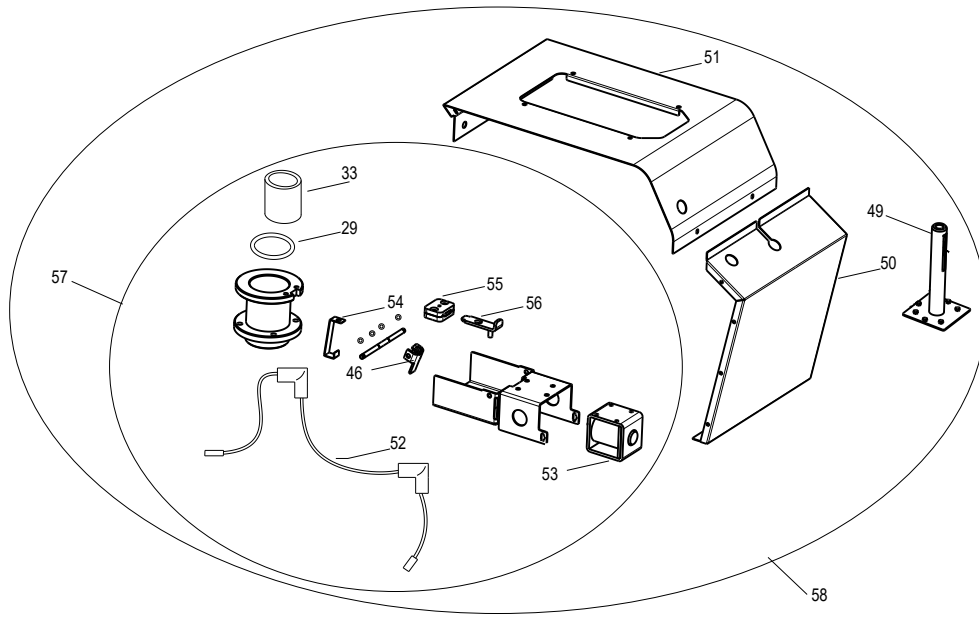
**Bold= last change/Grassetto =ultima modifica**

Rev. 15

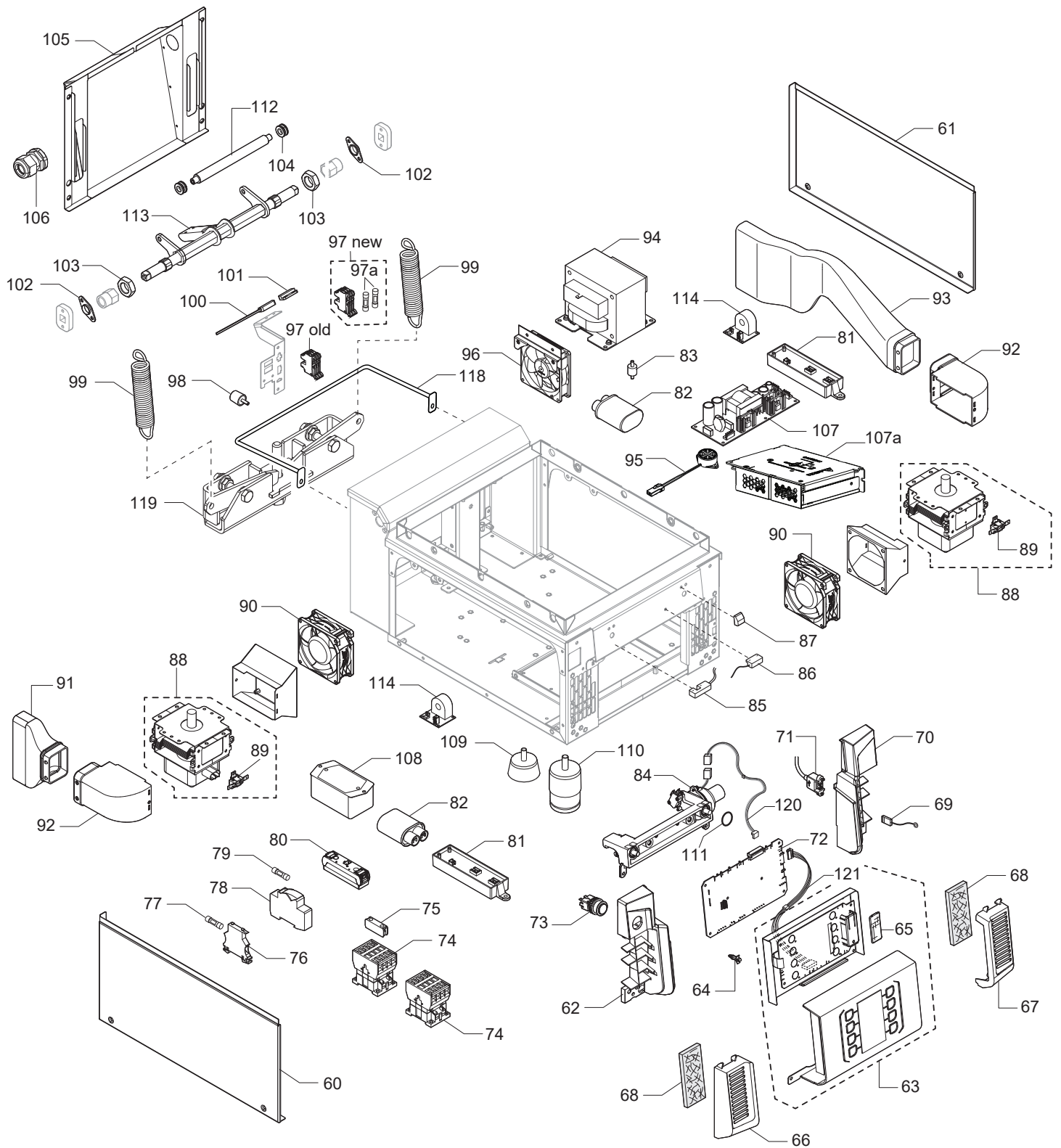
From Ser. Nr.... Up to Ser. Nr....	Ed. 2017-02 Updated 2022-03	Page: 2	<b>Doc No: 595402C00</b>
---------------------------------------	--------------------------------	---------	--------------------------

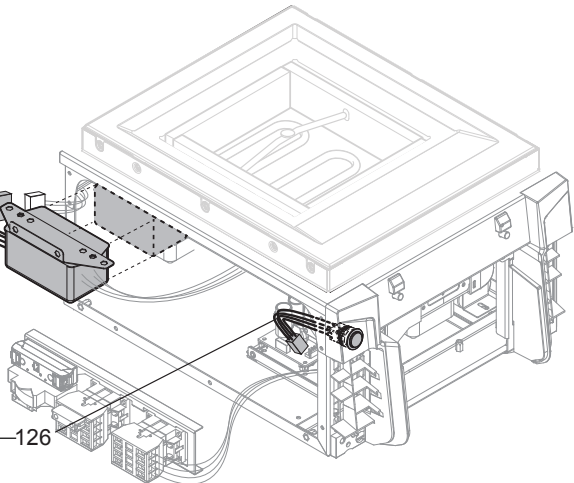
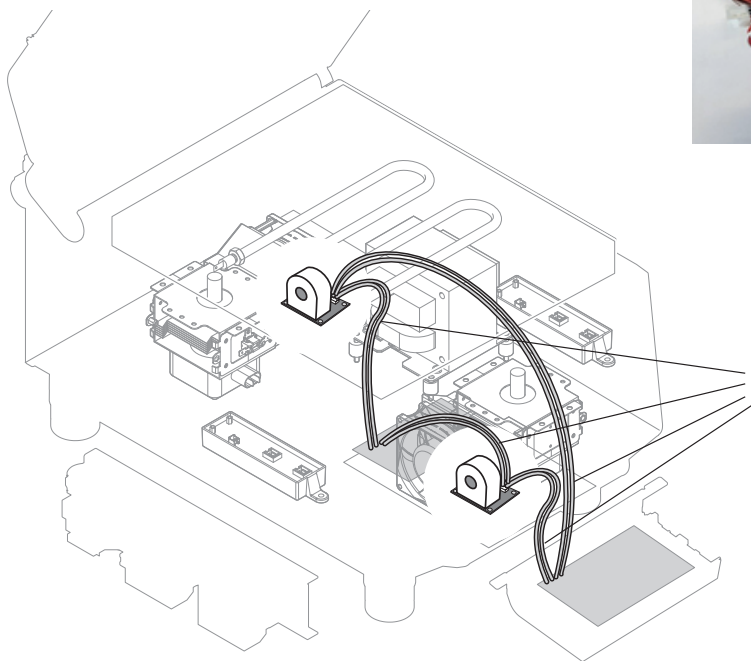
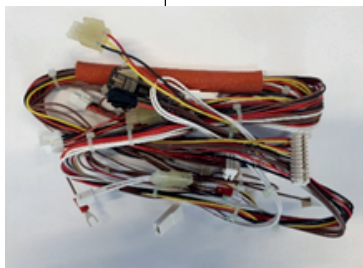
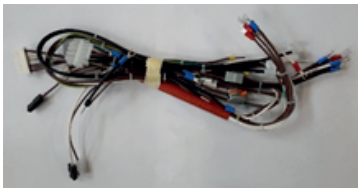
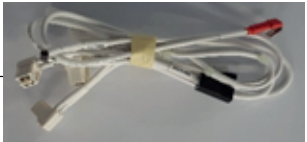
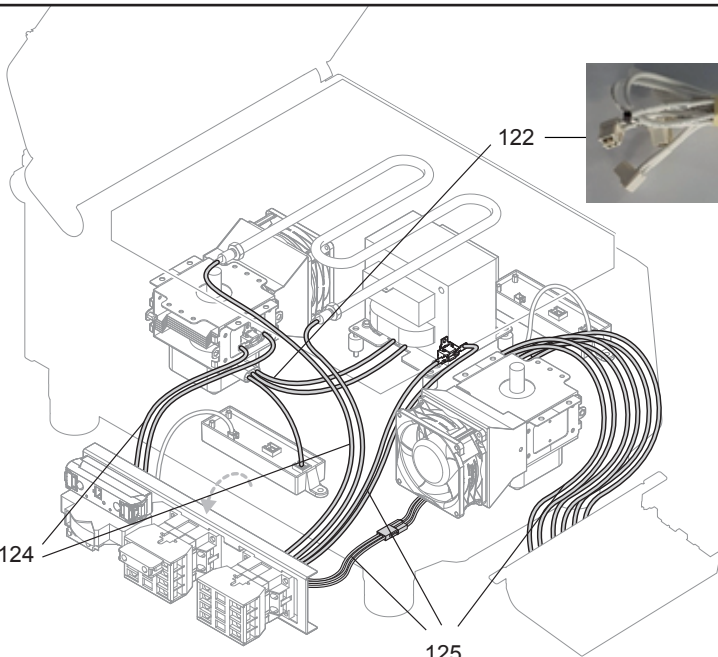


# FLEX









Pos	Code	Factory code	Descrizione	Description	Ref/notes
1	<a href="#">OCA940</a>	0653400900	SONDA TEMP. TUBOLARE INF. PT1000	WORKING TOP TEMP. SENSOR PT1000	
1-a	<a href="#">OCA945</a>	-----	KIT COMPLETO SONDA + MOLLETTE + RONDELLE	COMPLETE KIT PROBE+SPRINGS + WASHERS	
2	<a href="#">OC8133</a>	0505401201	RONDELLA X MW	WASHER FOR MW	
3	<a href="#">OCA939</a>	0506405300	ROSETTA PIANA	FLAT WASHER	
4	<a href="#">OD6777</a>	0514400S00	MOLLA	SPRING	
5	<a href="#">OCA941</a>	0514400T01	MOLLETTA DI TENUTA SONDA	HOLDING SPRING FOR PROBE	
6	<a href="#">OCA697</a>	0617401G01	RESISTENZA CORAZZATA 230V- 800W	HEATING ELEMENT 230V 800W	FOR 230V-400V
6	<a href="#">OCA698</a>	0617401H01	RESISTENZA CORAZZATA 208V- 800W	HEATING ELEMENT 208V 800W	
6	<a href="#">OCB091</a>	0617401J00	RESISTENZA CORAZZATA 200V- 800W	HEATING ELEMENT 200V 800W	JAP
6	<a href="#">OCB096</a>	0617401K00	RESISTENZA CORAZZATA 248V- 800W	HEATING ELEMENT 248V 800W	AUS, s1, t1, u1
7	<a href="#">OD6833</a>	0646400200	KLIXON	KLIXON	
8	<a href="#">OCA842</a>	0569400P01	ISOLANTE LATO RESISTENZA	INSULATION, HEATING ELEMENT SIDE	
9	<a href="#">OC8163</a>	0569400500	ISOLANTE ANT. POST.	INSULATION, FRONT,BACK SIDE	
10	<a href="#">OC8162</a>	0569400401	ISOLANTE LATERALE CAM. DI LANCIO	INSULATION RIGHT SIDE	
11	<a href="#">OC8161</a>	0569400300	ISOLANTE INF. CAMERA DI LANCIO	INSULATION, BOTTOM SIDE	
11a	<a href="#">OCB121</a>	.....	KIT ISOLANTE CAMERA DI LANCIO	KIT INSULATION	
12	<a href="#">005256</a>	0167098079	PASTA TERMOCONDUTTIVA	THERMAL CONDUCTIVE PASTE	
13	<a href="#">OCA807</a>	0830405V04	ASSIEME WORKING TOP	WORKING TOP ASSEMBLY	
14	<a href="#">OCA769</a>	0217204185	VITE M6X20 TSP	SCREW M6X20	
15	<a href="#">OCA501</a>	0691400003	RES. MONOBLOCCO RIGATA 230V	HEATING ELEMENT RIBBED PLATE 230V	FOR 230V-400V
15	<a href="#">OCA502</a>	0691400103	RES. MONOBLOCCO RIGATA 208V	HEATING ELEMENT RIBBED PLATE 208V	
15	<a href="#">OCA503</a>	0691400203	RES. MONOBLOCCO LISCIA 230V	HEATING ELEMENT SMOOTH PLATE 230V	FOR 230V-400V
15	<a href="#">OCA504</a>	0691400303	RES. MONOBLOCCO LISCIA 208V	HEATING ELEMENT SMOOTH PLATE 208V	
15	<a href="#">OCB810</a>	0691400500	RES. MONOBLOCCO RIGATA 248V	HEATING ELEMENT RIBBED PLATE 248V	s1,t1
15	<a href="#">OCB965</a>	0691400A00	RES. MONOBLOCCO LISCIA 248V	HEATING ELEMENT SMOOTH PLATE 248V	u1
16	<a href="#">OCA452</a>	0653400601	SONDA PT1000 X MONOBLOCCO	TEMPERATURE SENSOR PT1000	
17	<a href="#">OCA505</a>	0504406K00	MOLLETTA FISS. CARTA FORNO	SPRING FOR BAKING PAPER	
18	<a href="#">OCA445</a>	0800400T01	GANCIO PIASTRA RIGATA	RIBBED PLATE RTP HOLDER	
19	<a href="#">OCA517</a>	0503403402	CARTER PER RESISTENZA UPPER PLATE	HEATING ELEMENT COVER	
20	<a href="#">OCA516</a>	0189400000	DISCO MICA PIASTRA MONOBLOCCO	MICA DISK	
21	<a href="#">OCA513</a>	0515403201	TUBO LUNGO	LONG TUBE	
21	<a href="#">OCA514</a>	0515403302	TUBO CORTO	SHORT TUBE	
21	<a href="#">OCA515</a>	0830405J00	TUBO REGOLABILE	ADJUSTABLE TUBE	
22	<a href="#">OCB076</a>	-----	RIVETTO PLASTICA SET 14 PZ	PLASTIC RIVET SET 14 PC	Not for s1,t1,u1
22	<a href="#">OCB076</a>	-----	RIVETTO PLASTICA SET 14 PZ	PLASTIC RIVET SET 14 PC	For s1,t1,u1 up to 2021/16
23	<a href="#">OCB786</a>	0850402L01	ASSIEME CAMERA DI LANCIO	LAUNCHING CHAMBER ASSEMBLY	
24	<a href="#">OCB077</a>	0800401L02	COPERTURA FRONTALE	FRONT COVER	FOR PANERA MODELS and SUBWAY r1,s1,t1
24	<a href="#">OCA844</a>	0800401A01	COPERTURA FRONTALE	FRONT COVER	
25	<a href="#">OCB959</a>	085540GZ00	ASSIEME COPERTURA ANTERIORE	FRONT COVER ASSEMBLY	FOR PANERA MODELS a,c,y and SUBWAY r1,s1,t1
25	<a href="#">OCB960</a>	085540H000	ASSIEME COPERTURA ANTERIORE	FRONT COVER ASSEMBLY	
26	<a href="#">OCA845</a>	0500403L02	COPERTURA ESTERNA	EXTERNAL COVER	
27	<a href="#">OCA680</a>	0541401400	GUSCIO SX HSPE	LEFT SHELL	
28	<a href="#">OCA679</a>	0541401300	GUSCIO DX HSPE	RIGHT SHELL	
29	<a href="#">OCA809</a>	0514404K00	GUARNIZIONE MICROONDE	MICROWAVE GASKET	
30	<a href="#">OCB056</a>	0805407D03	ASS.GGIO PORTA BUSSOLA	BUSH HOLDER ASSEMBLY	
31	<a href="#">OCA685</a>	0541401900	COPERTURA	COVER	

Pos	Code	Factory code	Descrizione	Description	Ref/notes
-----	------	--------------	-------------	-------------	-----------

32	OCB418	-----	DIME CENTRAGGIO COPERCHIO	SPACERS KIT FOR LID ADJUSTMENT	
33	OC9210	0514401000	CUSCINETTI PER UPPER PLATE	UPPER PLATE BEARING	
35	OC8510	0800400D02	NASELLO PER FERMO UPPER PLATE	UPPER PLATE LOCKING LATCH	
36	OC9483	0514402100	DISTANZIALE PER NASELLO HSPP	LOCKING SPACER	
38	OCB929	080540GJ01	KIT TUBO FLESSIBILE 3/8 + FISSAGGI	KIT FLEX HOSE 3/8 +FITTINGS	See T.B.PDD2021-11
39	OCA678	0514404F00	MOLLA PER MANIGLIA COPERCHIO	HANDLE SPRING	
40	OCB196	0855401W06	ASSIEME MANIGLIA	HANDLE ASSEMBLY	
41	OC8122	0518400300	MANOPOLA	KNOB	
42	OC8121	0518400700	VITE MANOPOLA	KNOB'S SCREW	
43	OCA692	0548401M00	ELEMENTO SUPERIORE IMPUGNATURA	HANDLE UPPER ELEMENT	
44	OCA693	0548401N00	ELEMENTO INFERIORE IMPUGNATURA	HANDLE LOWER ELEMENT	
45	OCA500	0830407L07	ASS. UPPER PLATE RIGATA-CARTA FORNO 208V TUBO REGOLABILE	RIBBED UPPER PLATE ASSEMBLY-BAKING PAPER 208V ADJ TUBE	FOR 208V See T.B.PDD2021-11
45	OCA497	0830407M08	ASS. UPPER PLATE RIGATA-CARTA FORNO 208V TUBO LUNGO	RIBBED UPPER PLATE ASSEMBLY-BAKING PAPER 208V LONG TUBE	FOR 208V See T.B.PDD2021-11
45	OCA194	0830407D07	ASS. UPPER PLATE RIGATA-CARTA FORNO 208V TUBO CORTO	RIBBED UPPER PLATE ASSEMBLY-BAKING PAPER 208V SHORT TUBE	FOR 208V - c,e,y See T.B.PDD2021-11
45	OCA498	0830402508	ASS. UPPER PLATE RIGATA-CARTA FORNO 230V TUBO REGOLABILE	RIBBED UPPER PLATE ASSEMBLY + BAKING PAPER 230V ADJ TUBE	FOR 230V-400V See T.B.PDD2021-11
45	OCA451	0830407C08	ASS. UPPER PLATE RIGATA-CARTA FORNO 230V TUBO LUNGO	RIBBED UPPER PLATE ASSEMBLY -BAKING PAPER 230V LONG TUBE	FOR 230V-400V - g,o See T.B.PDD2021-11
45	OCA496	0830407F10	ASS. UPPER PLATE RIGATA-CARTA FORNO 230V TUBO CORTO	RIBBED UPPER PLATE ASSEMBLY-BAKING PAPER 230V SHORT TUBE	FOR 230V-400V - h,l,p See T.B.PDD2021-11
45	OCC030	0830407G09	ASS. UPPER PLATE RIGATA--ONDULINA 230V TUBO CORTO	RIBBED UPPER PLATE ASSEMBLY- RTP 230V SHORT TUBE	FOR 230V See T.B.PDD2021-11
45	OCA448	0830407K09	ASS. UPPER PLATE LISCIO-CARTA FORNO 208V TUBO REGOLABILE	SMOOTH UPPER PLATE ASSEMBLY-BAKING PAPER 208V ADJ TUBE	FOR 208V - d See T.B.PDD2021-11
45	OCA499	0830407N08	ASS. UPPER PLATE LISCIO-CARTA FORNO 230V TUBO REGOLABILE	SMOOTH UPPER PLATE ASSEMBLY-BAKING PAPER 230V ADJ TUBE	FOR 230V-400V - a1,p1 See T.B.PDD2021-11
45	OCA449	0830407J08	ASS. UPPER PLATE RIGATA-ONDULINA 230V TUBO REGOLABILE	RIBBED UPPER PLATE ASSEMBLY-RTP 230V ADJ TUBE	FOR 230V-400V - k,n,r,z See T.B.PDD2021-11
45	OCA450	0830407H08	ASS. UPPER PLATE RIGATA-ONDULINA 208V TUBO REGOLABILE	RIBBED UPPER PLATE ASSEMBLY-RTP 208V ADJ TUBE	FOR 208V - a See T.B.PDD2021-11
45	OCA735	0830408C05	ASS. UPPER PLATE LISCIO-ONDULINA 208V TUBO REGOLABILE	SMOOTH UPPER PLATE ASSEMBLY - RTP 208V ADJ TUBE	FOR 208V MELT - u See T.B.PDD2021-11
45	OCA734	0830408B06	ASS. UPPER PLATE RIGATA-ONDULINA 208V TUBO CORTO	RIBBED UPPER PLATE ASSEMBLY - RTP 208V SHORT TUBE	FOR 208V See T.B.PDD2021-11
45	OCB098	083040BL00	ASS. UPPER PLATE RIGATA-ONDULINA 248V TUBO REGOLABILE	RIBBED UPPER PLATE ASSEMBLY-RTP 248V ADJ TUBE	FOR 248V AUS See T.B.PDD2021-11
45	OCA880	083040B203	ASS. UPPER PLATE RIGATA-ONDULINA 230V FLEX	RIBBED UPPER PLATE ASSEMBLY-RTP 230V FLEX	WITH FLEX - j,m,q,h1 See T.B.PDD2021-11
45	OCA921	0830409L04	ASS. UPPER PLATE LISCIO-ONDULINA 208V FLEX	SMOOTH UPPER PLATE ASSEMBLY - RTP 208V FLEX	WITH FLEX FOR 208V - f See T.B.PDD2021-11
45	OCA920	083040AR03	ASS. UPPER PLATE RIGATA-ONDULINA 208V FLEX	RIBBED UPPER PLATE ASSEMBLY-RTP 208V FLEX	WITH FLEX FOR 208V - b,x See T.B.PDD2021-11
45	OCB093	083040CF02	ASS. UPPER PLATE RIGATA-ONDULINA 200V TUBO REGOLABILE	RIBBED UPPER PLATE ASSEMBLY-RTP 200V ADJ TUBE	FOR 200V JAP - b1,d1 See T.B.PDD2021-11
45	OCB094	083040CG03	ASS. UPPER PLATE RIGATA-ONDULINA 200V FLEX	RIBBED UPPER PLATE ASSEMBLY-RTP 200V FLEX	WITH FLEX FOR 200V JAP - c1,e1 See T.B.PDD2021-11
45	OCB099	083040CH03	ASS. UPPER PLATE RIGATA-ONDULINA 420V FLEX	RIBBED UPPER PLATE ASSEMBLY-RTP 420V FLEX	WITH FLEX FOR 420V AUS - f1 See T.B.PDD2021-11
45	OCC032	083040CJ03	ASS. UPPER PLATE RIGATA-ONDULINA 420V TUBO REGOLABILE	RIBBED UPPER PLATE ASSEMBLY-RTP 420V ADJ TUBE	FOR 420V AUS - g1 See T.B.PDD2021-11
45	-----	083040CK00	ASS. UPPER PLATE LISCIO-CARTA FORNO 230V TUBO REGOLABILE	SMOOTH UPPER PLATE ASSEMBLY-BAKING PAPER 230V ADJ TUBE	FOR 230V See T.B.PDD2021-11
45	OCB224	83040AY03	ASS. UPPER PLATE LISCIA-ONDULINA 230-400V TUBO REGOLABILE	SMOOTH UPPER PLATE ASSEMBLY-RTP 230-400V ADJ TUBE	230-400V ADJ T. EU STD - m1,o1 See T.B.PDD2021-11

Pos	Code	Factory code	Descrizione	Description	Ref/notes
45	0CB223	83040AZ03	ASS.UPPER PLATE LISCIA-ONDULINA 230-400V FLEX	SMOOTH UPPER PLATE ASSEMBLY-RTP 230-400V FLEX	230-400V FLEX EU STD - I1,n1 See T.B.PDD2021-11
45	0CB225	83040B304	ASS.UPPER PLATE RIGATA-CARTA FORNO 230V TUBO REGOLABILE	RIBBED UPPER PLATE ASSEMBLY-BAKING PAPER 230V ADJ TUBE	230V UK PRET - i1 See T.B.PDD2021-11
45		83040AJ01	ASS.UPPER PLATE RIGATA- ONDULINA 400V TUBO LUNGO	RIBBED UPPER PLATE ASSEMBLY- RTP 400V LONG TUBE	400V - t See T.B.PDD2021-11
45		83040AN01	ASS.UPPER PLATE LISCIO- CARTA FORNO 230V TUBO FLEX	SMOOTH UPPER PLATE ASSEMBLY-BAKING PAPER 230V FLEX TUBE	230V See T.B.PDD2021-11
45	0CA919	83040AQ03	ASS.UPPER PLATE LISCIO- ONDULINA 208V TUBO LUNGO	SMOOTH UPPER PLATE ASSEMBLY-RTP 208V LONG TUBE	208V See T.B.PDD2021-11
45		83040AV02	ASS.UPPER PLATE RIGATA- CARTA FORNO 208V TUBO CORTO	RIBBED UPPER PLATE ASSEMBLY-BAKING PAPER 208V SHORT TUBE	208V See T.B.PDD2021-11
45	0CC031	83040AW02	ASS.UPPER PLATE LISCIO- ONDULINA 230V TUBO LUNGO	SMOOTH UPPER PLATE ASSEMBLY-RTP 230V LONG TUBE	230V See T.B.PDD2021-11
45	0CB630	83040K203	ASS.UPPER PLATE LISCIO-CARTA FORNO 208 V TUBO REGOLABILE	SMOOTH UPPER PLATE ASSEMBLY-BAKING PAPER 208V ADJ TUBE	208 V – CHIPOTLE q1 See T.B.PDD2021-11
45	0CB660	83040AK04	ASS.UPPER PLATE RIGATA-CARTA FORNO 208 V TUBO FLEX	RIBBED UPPER PLATE ASSEMBLY-BAKING PAPER 208V FLEX TUBE	208 V - SUBWAY r1 See T.B.PDD2021-11
45	0CB844	83040PX02	ASS.UPPER PLATE RIGATA-CARTA FORNO 240 V TUBO FLEX	RIBBED UPPER PLATE ASSEMBLY-BAKING PAPER 240V FLEX TUBE	240 V - SUBWAY s1 See T.B.PDD2021-11
45	0CC029	83040L803	ASS.UPPER PLATE LISCIO- CARTA FORNO 208V TUBO FLEX	SMOOTH UPPER PLATE ASSEMBLY-BAKING PAPER 208V FLEX	208V See T.B.PDD2021-11
45	0CB963	83040PH02	ASS.UPPER PLATE RIGATA-ONDULINA 240 V TUBO FLEX	RIBBED UPPER PLATE ASSEMBLY-RTP 240V FLEX TUBE	240 V - t1 See T.B.PDD2021-11
45	0CB964	83040PJ01	ASS.UPPER PLATE LISCIO-ONDULINA 240 V TUBO FLEX	SMOOTH UPPER PLATE ASSEMBLY-RTP 240V FLEX TUBE	240 V - u1 See T.B.PDD2021-11
46	0CC025	0506405601	PIASTRINA ATTUATORE LINEARE	LINEAR ACTUATOR PLAQUE	
47	0CB051	0147300V00	SILICONE ROSSO-330ml	RED SILICONE-330ml	
48	0CB089	-----	CHOKE COVER KIT	CHOKE COVER KIT	WITH 2 LATERAL BARS AND 2 TRANSVERSAL BARS - Not for s1,t1,u1
48	0CB089	-----	CHOKE COVER KIT	CHOKE COVER KIT	WITH 2 LATERAL BARS AND 2 TRANSVERSAL BARS - For s1,t1,u1 up to 2021/16
48	0CB410	-----	CHOKE COVER KIT	CHOKE COVER KIT	WITH 4 TRASVERSAL BARS - Not for s1,t1,u1
48	0CB410	-----	CHOKE COVER KIT	CHOKE COVER KIT	WITH 4 TRASVERSAL BARS - For s1,t1,u1 up to 2021/16
49	0CB074	0516400D00	TUBO FLEX	FLEX TUBE	WITH FLEX
50	0CB120	0800401X01	SCHIENALE FLEX	FLEX BACK COVER	WITH FLEX
51	0CB071	0500404201	COPERTURA ESTERNA FLEX	FLEX EXTERNAL COVER	WITH FLEX
52	0CBAIN	0830408601	CAVO ALIMENTAZIONE FLEX	FLEX POWER CORD	WITH FLEX
53	0CA720	0805407402	ATTUATORE LINEARE	LINEAR ACTUATOR	WITH FLEX
54	0CB048	0506404W01	MOLLA FLEX	FLEX SPRING	WITH FLEX
55	0CBAIP	0504407B01	GUIDA PER NASELLO	LOCKING LATCH GUIDE	WITH FLEX
56	0CBAIO	0501400103	NASELLO FLEX	FLEX LOCKING LATCH	WITH FLEX
57	0CBAJ6	0835402N06	ASSIEME MECCANISMO FLEX	FLEX MECHANISM ASSEMBLY	WITH FLEX
58	-----	-----	KIT CONVERSIONE A FLEX	CONVERSION KIT TO FLEX	
59	0CB690	0850401T07	ASSIEME COPERCHIO CON FLEX	LID ASSEMBLY WITH FLEX	EU - Up to 2021/34
59	0CBAGN	083040QL00	ASSIEME COPERCHIO CON FLEX	LID ASSEMBLY WITH FLEX	EU - j,m,q,c1,e1,f1,h1,l1,n1 - From 2021/35
59	0TTMJ9	0850401N10	ASSIEME COPERCHIO	LID ASSEMBLY	EU - k,r,a1,b1,d1,g1,p1 - Up to 2021/34
59	0CBAGO	083040QK00	ASSIEME COPERCHIO	LID ASSEMBLY	EU - k,r,a1,b1,d1,g1,p1 - From 2021/35

Pos	Code	Factory code	Descrizione	Description	Ref/notes
59	<a href="#">0CB937</a>	085540GW02	ASSIEME COPERCHIO CON FLEX SENZA CHOKE COVER	LID ASSEMBLY WITH FLEX W/O CHOKE COVER	US - t1,u1
59	<a href="#">0CB937</a>	<b>085540GW02</b>	<b>ASSIEME COPERCHIO CON FLEX SENZA CHOKE COVER</b>	<b>LID ASSEMBLY WITH FLEX W/O CHOKE COVER</b>	<b>b,f,c1,e1,f1,r1,s1,v1 from 2022/07</b>
59	0CB938	085540GX02	ASSIEME COPERCHIO CON FLEX SENZA CHOKE COVER CON BLOCCO MANIGLIA	LID ASSEMBLY WITH FLEX W/HANDLE BLOCK W/O CHOKE COVER	US - s1
59	0CB939	085540GY01	ASSIEME COPERCHIO SENZA CHOKE COVER	LID ASSEMBLY W/O CHOKE COVER	EU
59		085540GT01	ASSIEME COPERCHIO CON FLEX SENZA CHOKE COVER	LID ASSEMBLY WITH FLEX W/O CHOKE COVER	US - b,f
60	<a href="#">OCA846</a>	0503403D01	PANNELLO DESTRO	RIGHT PANEL	
61	<a href="#">OCA847</a>	0503403F01	PANNELLO SINISTRO	LEFT PANEL	
62	<a href="#">OCA682</a>	0541401600	CORNICE PER FILTRO SX HSPE	LEFT FILTER FRAME	
63	<a href="#">OCBAGP</a>	<b>083040LU01</b>	<b>ASSIEME CRUSCOTTO USER INTERFACE</b>	<b>USER INTERFACE DASHBOARD ASSEMBLY</b>	
63	<a href="#">OCBAGQ</a>	<b>083040LV01</b>	<b>ASSIEME CRUSCOTTO USER INTERFACE SENZA NIU</b>	<b>USER INTERFACE DASHBOARD ASSEMBLY WITHOUT NIU</b>	<b>FOR 200V JAPAN</b>
64	<a href="#">OC3750</a>	0546814001	DISTANZIALE	SPACER	Up to 2019/37
65	<a href="#">OCK042</a>	0657400103	SCHEDA WIFI NIU	WIFI NIU BOARD	
66	<a href="#">OCA684</a>	0541401800	PORTA FILTRO SX	FILTER COVER-LEFT	
67	<a href="#">OCA683</a>	0541401700	PORTA FILTRO DX	FILTER COVER-RIGHT	
68	<a href="#">OCA696</a>	0549400Q00	FILTRO	FILTER	
69	<a href="#">OCA687</a>	0541401B00	TAPPO USB	USB CUP	
70	<a href="#">OCA681</a>	0541401500	CORNICE PER FILTRO DX HSPE	RIGHT FILTER FRAME	
71	<a href="#">OCA705</a>	0638404200	CAVO USB	USB CABLE EXTENSION	
72	<a href="#">OCA704</a>	0638404101	SCHEDA POWER ACU HSPE	POWER BOARD ACU	See T.B.PDD2021-11
73	<a href="#">OCA961</a>	0640400500	INTERRUTTORE ON OFF	ON/OFF BUTTON	
74	<a href="#">OCA810</a>	0648400P00	CONTATTORE	CONTACTOR	
75	<a href="#">OCA811</a>	0H58194500	CONTATTO AUSILIARIO	AUXILIARY CONTACT	
76	<a href="#">OCA848</a>	0639F00600	PORTAFUSIBILE 5X20	FUSE HOLDER 5X20	
77	<a href="#">002820</a>	0652801800	FUSIBILE 5X20 160mA	FUSE 5X20 160mA	
78	<a href="#">075737</a>	0652603200	PORTAFUSIBILE UNIPOLARE 32A 690V	FUSE HOLDER 32A 690V	
79	<a href="#">OC1885</a>	0652800801	FUSIBILE F 15 A 10X38	FUSE F15A 10X38	FOR 208V
79	<a href="#">OCA875</a>	0652400900	FUSIBILE F 12 A 10X38	FUSE F12A 10X38	FOR 200V 50Hz - 230V
79	<a href="#">OCA863</a>	0652400800	FUSIBILE F 8 A 10X38	FUSE F8A 10X38	FOR 400V
79	<a href="#">OCB117</a>	0652806400	FUSIBILE F 10 A 10X38	FUSE F10A 10X38	FOR 200V 60Hz
80	<a href="#">OCA709</a>	0648400M00	RELE' STATO SOLIDO	SOLID STATE RELE'	
81	<a href="#">OCA722</a>	0830408300	ASSIEME SCHEDA DIODI	DIODE BOX ASSEMBLY	
82	<a href="#">OCA876</a>	0694400F00	CONDENSATORE 0,90 UF 2500VAC	CAPACITOR 0,90 UF 2500VAC	FOR 230V-400V
82	<a href="#">OCA808</a>	0694400G00	CONDENSATORE 0,75 UF 2500VAC	CAPACITOR 0,75 UF 2500VAC	FOR 200V-208V-420V
83	<a href="#">OCA849</a>	0546400P00	ANTIVIBRANTE TRASFORMATORE	SHOCK ABSORBER FOR TRANSFORMER	
84	<a href="#">OCA719</a>	0805407000	SBLOCCO MANIGLIA	UNLOCKING MECHANISM	
85	<a href="#">OCA712</a>	0654400000	INTERLOCK MAGNETICO 'S1'	INTERLOCK REED "S1"	
86	<a href="#">OCA713</a>	0654400100	INTERLOCK MAGNETICO 'S2'	INTERLOCK REED "S2"	
87	<a href="#">OC8150</a>	0514400R00	PIOLI FERMO COPERCHIO -32413 HSPP	LID LOCKING PIN	
88	<a href="#">OCA831</a>	0805406Z01	ASS. MAGNETRON 1000W 2M319 + CLIXON+FISSAGGI	MAGNETRON 1000W 2M319 +CLIXON+FIXING	
89	<a href="#">OCA707</a>	0646400800	KLIXON	KLIXON	
90	<a href="#">OCA717</a>	0682400400	VENTILATORE ASSIALE 92X38mm	AXIAL FAN 92X38mm	
91	<a href="#">OCA690</a>	0544401100	CONDOTTO SCARICO CORTO	AIR DUCT-SHORT	
92	<a href="#">OCA689</a>	0544401000	FISSAGGIO DX-SX CONDOTTO SCARICO	LEFT-RIGHT AIR DUCT FIXING	
93	<a href="#">OCA691</a>	0544401200	CONDOTTO SCARICO LUNGO	AIR DUCT-LONG	
94	<a href="#">OCA701</a>	0830407W01	ASS. 400V TRASF.HV + SONDA TEMP.	HV TRANSFORMER400V+TEMP. SENSOR	FOR 400V/FOR 400V

Pos	Code	Factory code	Descrizione	Description	Ref/notes
94	<a href="#">OCA700</a>	0830407X02	ASS. 208V TRASF.HV + SONDA TEMP.	HV TRANSFORMER 208V+TEMP. SENSOR	FOR 208V/FOR 208V
94	<a href="#">OCA699</a>	0830407Y01	ASS. 230V TRASF.HV + SONDA TEMP.	HV TRANSFORMER 230V+TEMP. SENSOR	FOR 230V/FOR 230V
94	<a href="#">OCB092</a>	083040BB00	ASS. 200V TRASF.HV + SONDA TEMP.	HV TRANSFORMER 200V+TEMP. SENSOR	FOR 200V/FOR 200V JAP 50Hz
94	<a href="#">OCB095</a>	083040BC00	ASS. 200V TRASF.HV + SONDA TEMP.	HV TRANSFORMER 200V+TEMP. SENSOR	FOR 200V/FOR 200V JAP 60Hz
94	<a href="#">OCB097</a>	083040BD00	ASS. 420V TRASF.HV + SONDA TEMP.	HV TRANSFORMER 420V+TEMP. SENSOR	FOR 420V/FOR 420V AUS
94	<a href="#">OCB812</a>	083040NT00	ASS. 240V TRASF.HV + SONDA TEMP.	HV TRANSFORMER 240V+TEMP. SENSOR	FOR 240V/FOR 240V
95	*	0655400100	BUZZER 12VDC HSPE	BUZZER 12VDC HSPE	For UK PRET a1,p1 For the installation see the relevant instruction
*	<a href="#">OCB797</a>	083040L900	KIT BUZZER 12VDC	BUZZER 12VDC KIT	For all from wk 2018/10
96	<a href="#">OCA716</a>	0682400300	VENTILATORE ASSIALE 92X25mm	AXIAL FAN 92X25mm	
97	<a href="#">OCA850</a>	0639400G00	MORSETTO GRIGIO	GRAY TERMINAL	Up to 2021/29
97	<a href="#">OCA851</a>	0639400K00	MORSETTO GIALLO/VERDE	YELLOW/GREEN TERMINAL	Up to 2021/29
97	<a href="#">OCC046</a>	083040QJ00	KIT RETROFIT PORTAFUSIBILI UPPER PLATE	RETROFIT KIT FUSE HOLDER	From 2021/30
97a	<a href="#">OC3435</a>	0652608D00	FUSIBILE CERAMICO 5X20 250V 6.3 A T RITARDATO/OMEGA GT520263	RETARDED CERAMIC FUSE 5X20 250V GT520263	From 2021/30
98	<a href="#">092931</a>	0514R01701	PARACOLPI IN GOMMA	RUBBER BUMPER	
99	<a href="#">OCA677</a>	0506404L00	MOLLA PER APERTURA COPERCHIO	SPRING FOR LID OPENING	
100	<a href="#">OCA714</a>	0654400200	INTERLOCK MAGNETICO 'S3'	INTERLOCK REED "S3"	
101	<a href="#">OCA695</a>	0549400P00	MAGNETE	MAGNET	
102	<a href="#">OC8218</a>	0544400K00	BOCCOLA PLASTICA	PLASTIC BUSH	
103	<a href="#">049436</a>	0218306125	DADO	NUT	
104	<a href="#">OCA852</a>	0547400300	BOCCOLA	BUSH	
105	<a href="#">OCB102</a>	0800401W01	SCHIENALE	BACK COVER	
106	<a href="#">OC0068</a>	0544802300	PRESSACAVO	CABLE STRAINER	FOR 208V-400V
106	<a href="#">OCA987</a>	0544401900	PRESSACAVO	CABLE STRAINER	FOR 230V
107	<a href="#">OCA715</a>	0675401100	ALIMENTAT.SWITCHING 230V/12V DC 60W	SWITCHING FEEDER 230V/12V DC 60W	Up to 2022/06 for 240 V 60 HZ - s1,t1,u1
<b>107a</b>	<b><a href="#">096342</a></b>	<b>0648R11400</b>	<b>SMPS ALIM. SWITCHING 12V</b>	<b>SWITCHING FEEDER 12V</b>	<b>From 2022/07 for 240 V 60 HZ - s1,t1,u1</b>
<b>107a</b>	<b><a href="#">096342</a></b>	<b>0648R11400</b>	<b>SMPS ALIM. SWITCHING 12V</b>	<b>SWITCHING FEEDER 12V</b>	<b>FOR 208 V - b,f,r1</b>
108	<a href="#">OC8496</a>	0694400600	FILTRO EMC 115-250V	EMC FILTER 115-250V	FOR 208V-230V - Up to 2019/37
108	<a href="#">OCB731</a>	0694401400	FILTRO EMC 115-250V	EMC FILTER 115-250V	FOR 208V-230V - From 2019/38 See TB PDD2020-03
108	<a href="#">OCA862</a>	0694400D00	FILTRO EMC 400V	EMC FILTER 400V	FOR 400V - Up to 2019/37
108	<a href="#">OCB730</a>	0694401300	FILTRO EMC 400V	EMC FILTER 400V	FOR 400V - From 2019/38 See TB PDD2020-03
109	<a href="#">OC8267</a>	0548401A00	PIEDINO	FOOT	26 MM
109	<a href="#">OC8105</a>	0548400S00	PIEDINO	FOOT	40 MM - JAP
110	<a href="#">OCA854</a>	0830408801	PIEDINO USA	USA FOOT	FOR 208V and a1,f1,g1,i1,p1
111	<a href="#">OCA688</a>	0543401L00	GUARNIZIONE O-RING	O-RING GASKET	Up to 8231
111	<a href="#">OCB378</a>	0543402V00	GUARNIZIONE O-RING	O-RING GASKET	From 8241
112	<a href="#">OCB053</a>	0514404500	BARRA FISSAGGIO MOLLE	SPRING FIXING SHAFT	
113	<a href="#">OCB052</a>	0835402F04	ASSIEME FULCRO ASSE COPERCHIO	LID HINGE,SHAFT	
114	<a href="#">OCB023</a>	0650400000	SCHEDA SENSING TA	SENSING BOARD TA	Up to 2019/37
115	<a href="#">OC9500</a>	0509400801	ONDULINA RIGATA	RIBBED RTP	
116	<a href="#">OCA736</a>	0509400B00	ONDULINA LISCIA	SMOOTH RTP	
117	<a href="#">OS2225</a>	0592400700	CARTA FORNO 24 FOGLI	BACKING PAPER 24 SHEETS	g,h,l,o,p,a1,g1,p1,r1,s1
118	<a href="#">OCB536</a>	0514408201	DISTANZIALE SCHIENALE	BACK SPACER	170mm
119	<a href="#">OCB118</a>	0805407B02	REGOLAZIONE MOLLE	SPRING ADJUSTEMENT	
120	<a href="#">OCB107</a>	0634400U00	CABLAGGIO SBLOCCO COPERCHIO	UNLOCKING LID HARNESS	
121	<a href="#">OCA703</a>	0634400T00	CABLAGGIO COMUNICAZIONE SCHEDE UI - ACU	BOARDS COMMUNICATION CABLE UI - ACU	

Pos	Code	Factory code	Descrizione	Description	Ref/notes
122	<a href="#">0CB473</a>	0634400S03	CABLAGGIO MAGNETRON	MAGNETRON HARNESS	Up to 2019/37
122	<a href="#">0CB733</a>	0634402600	CABLAGGIO MAGNETRON	MAGNETRON HARNESS	From 2019/38
123	<a href="#">0CB063</a>	0634401G	CABLAGGIO SENSORI - TA	SENSORS-TA HARNESS	Up to 2019/37
124	<a href="#">0CA702</a>	0634400M	CABLAGGIO DI POTENZA COMPONENTI CONNESSI: - RESISTENZE UPPER PLATE - RESISTENZE TOP - RELE' STATO SOLIDO KS2 - CONTATTORI KM, KS1 - TRASFORMATORE HTV - INTERRUTTORE SW - KLIXON KLX-HVT, KLX-3 - ALIMENTATORE SMPS - SCHEDA POWER ACU J8, J21, J22	POWER HARNESS CONNECTED COMPONENTS: - UPPER PLATE HEATER - WORKING TOP HEATER - SOLID STATE RELAYD KS2 - CONTACTORS KM, KS1 - TRANSFORMER HTV - MAIN SWITCH SW - KLIXON KLX-HVT, KLX-3 - SWICHING FEEDER SMPS - POWER BOARD ACU J8, J21, J22	
125	<a href="#">0CB084</a>	0634400N04	CABLAGGIO AUSILIARIO COMPONENTI CONNESSI: - VENTOLINE FAN1, FAN2 - ALIMENTATORE SMPS - MICRO INTERRUTTORE S3 - FLEX FX - CONTATTO AUSILIARIO KS1-AUX - FUSIBILE MFUSE - RELE' STATO SOLIDO KS2 - VENTOLINA HVT-FAN - KLIXON KLX-1, KLX-2 - SCHEDA POWER ACU J1, J5...J8, J12	AUXILIARY HARNESS CONNECTED COMPONENTS: - FANS FAN1, FAN2 - SWICHING FEEDER SMPS - MICRO SWITCH S3 - FLEX FX - AUXILIARY CONTACT KS1-AUX - FUSE MFUSE - SOLID STATE RELAYD KS2 - FAN HVT-FAN - KLIXON KLX-1, KLX-2 - POWER BOARD ACU J1, J5...J8, J12	Up to 2019/37
125	<a href="#">0CB734</a>	0634402700	CABLAGGIO AUSILIARIO COMPONENTI CONNESSI: - VENTOLINE FAN1, FAN2 - ALIMENTATORE SMPS - MICRO INTERRUTTORE S3 - FLEX FX - CONTATTO AUSILIARIO KS1-AUX - FUSIBILE MFUSE - RELE' STATO SOLIDO KS2 - VENTOLINA HVT-FAN - KLIXON KLX-1, KLX-2 - SCHEDA POWER ACU J1, J5...J8, J12	AUXILIARY HARNESS CONNECTED COMPONENTS: - FANS FAN1, FAN2 - SWICHING FEEDER SMPS - MICRO SWITCH S3 - FLEX FX - AUXILIARY CONTACT KS1-AUX - FUSE MFUSE - SOLID STATE RELAYD KS2 - FAN HVT-FAN - KLIXON KLX-1, KLX-2 - POWER BOARD ACU J1, J5...J8, J12	From 2019/38
126	<a href="#">0CB273</a>	0634400R02	CABLAGGIO INTERRUTTORE	SWITCH HARNESS	
127	<a href="#">0CB309</a>	0634400P00	CABLAGGIO ALIMENTAZIONE MONOFASE	POWER SUPPLY HARNESS SINGLE PHASE	
128	<a href="#">0CB274</a>	0634400Q00	CABLAGGIO ALIMENTAZIONE TRIFASE	POWER SUPPLY HARNESS THREE PHASE	
200	<a href="#">0CB419</a>	-----	KIT MANUTENZIONE 1° ANNO	1st YEAR MAINTENANCE KIT	For all products pos. 48+68
201	<a href="#">0CB420</a>	-----	KIT MANUTENZIONE 2° ANNO (STANDARD)	2nd YEAR MAINTENANCE KIT (STANDARD)	For all NO FLEX prod-ucts pos. 2+29+48+68
202	<a href="#">0CB421</a>	-----	KIT MANUTENZIONE 2° ANNO (FLEX)	2nd YEAR MAINTENANCE KIT (FLEX)	For all FLEX products pos. 2+29+48+68+55+56
	<a href="#">0CBAEW</a>		SPEEDELIGHT TRAY 1st YEAR MAINTENANCE; KIT	SPEEDELIGHT TRAY 1st YEAR MAINTENANCE; KIT	For all products pos. 68
	<a href="#">0CBAEX</a>		SPEEDELIGHT TRAY 2nd YEAR MAINTENANCE; KIT	SPEEDELIGHT TRAY 2nd YEAR MAINTENANCE; KIT	For all NO FLEX prod-ucts pos. 2+29+68
	<a href="#">0CBAEY</a>		SPEEDELIGHT TRAY FLEX 2nd YEAR MAINTENANCE; KIT	SPEEDELIGHT TRAY FLEX 2nd YEAR MAINTENANCE; KIT	For all FLEX products pos. 2+29+68+55+56

Electrolux Professional SpA  
Viale Treviso, 15  
33170 Pordenone, ITALY  
Fax (+39) 0434 380 201  
<https://www.electroluxprofessional.com>  
<https://webgate.electroluxprofessional.com>