

<b>PNC</b>	<b>Model</b>	<b>Ref.</b>	<b>Notes</b>
178 778	TVR/E3CH	a	Freezer base+2drawers-15-20sc 1200mm
178779	TVR/E3C	b	Refrigerated base with 2drawers 1200MM
178780	TVR/E3	c	Refrigerated base with 2 doors 1200MM
178781	TVR/E4C	d	Refrigerated base with 3 drawes1600MM
178 782	TVR/E4	e	Refrigerated base with 3 doors 1600MM

Pag. 1-4  
Pag. 5  
Pag. 6

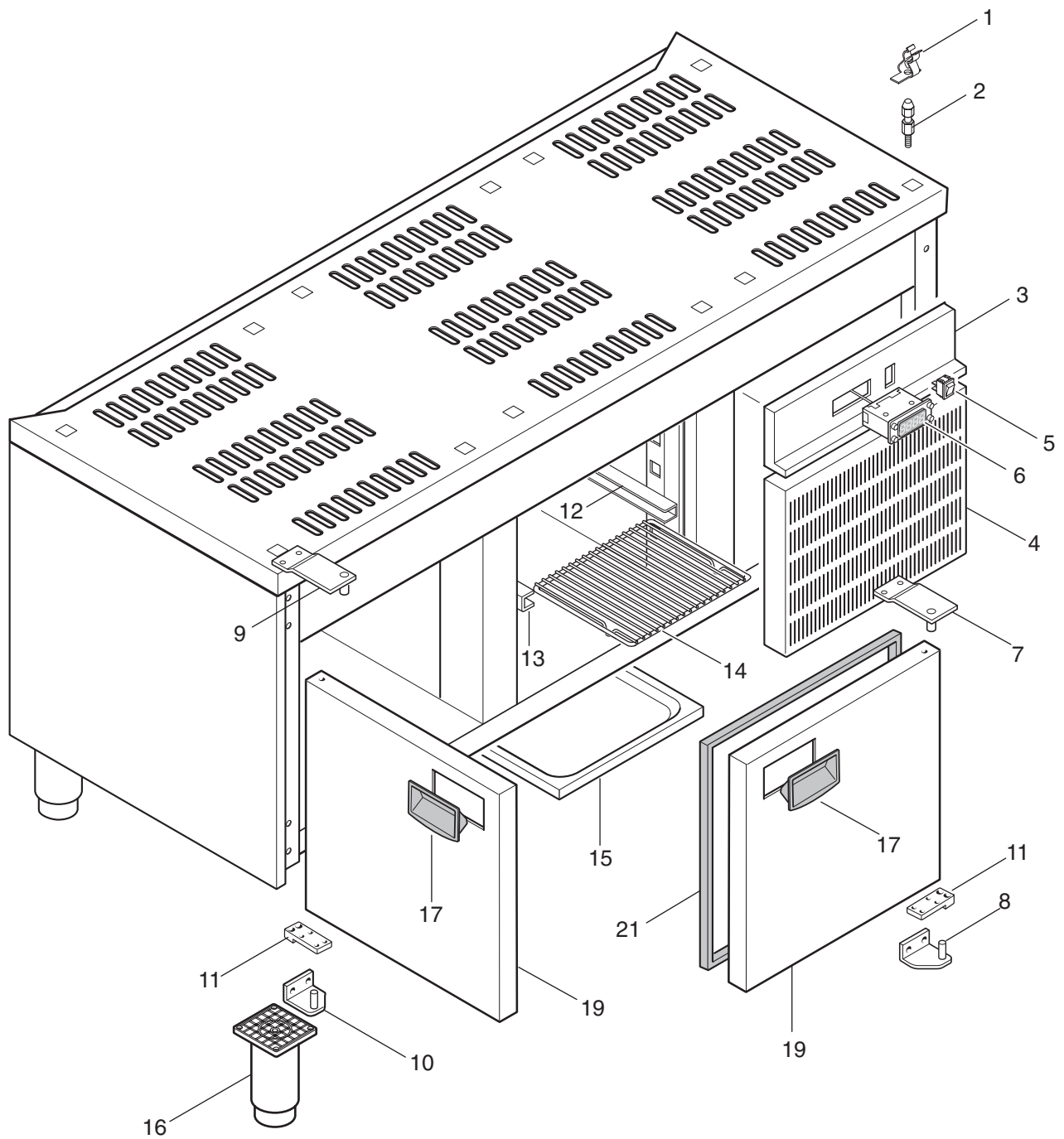
**Index**

Frame and components  
Structure spare parts list  
Components spare parts list

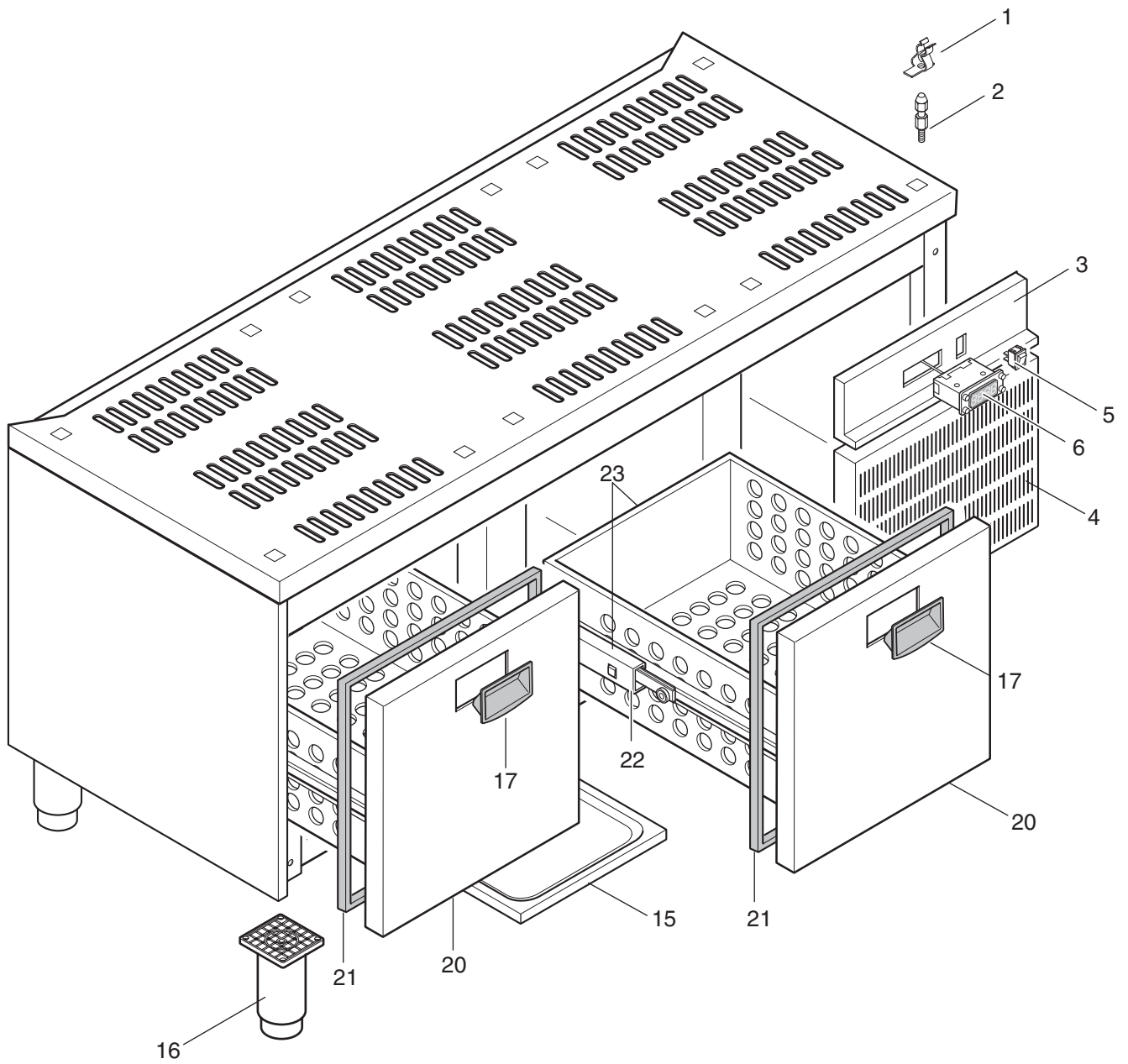
**Indice**

Struttura e componenti  
Lista ricambi struttura  
Lista ricambi componenti

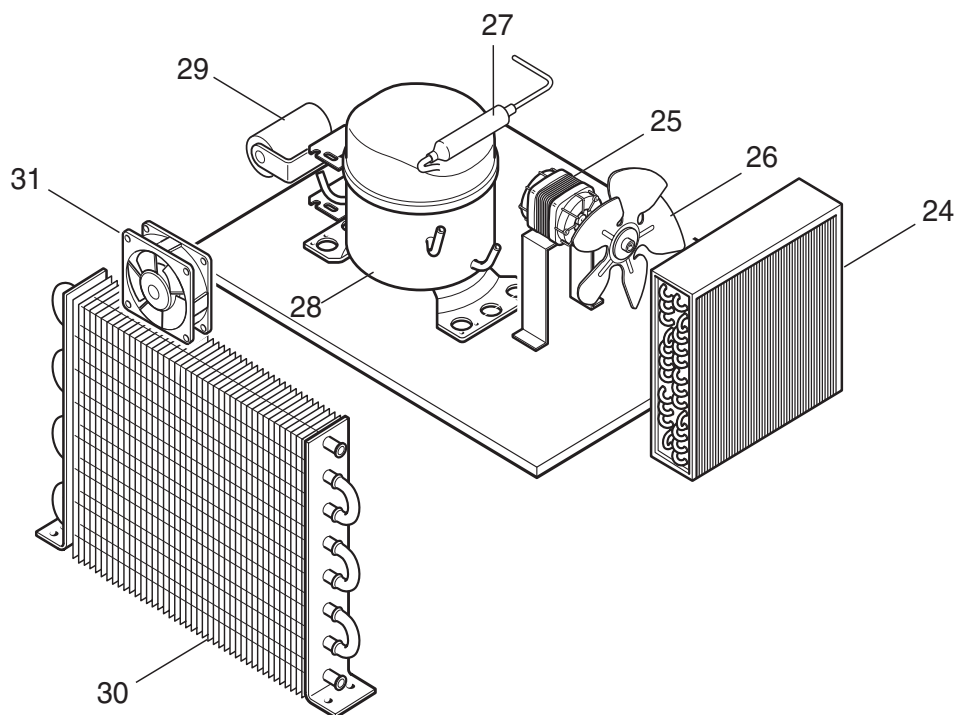
**Brand / Marchio :** Electrolux  
**Factory code:** 9PDX



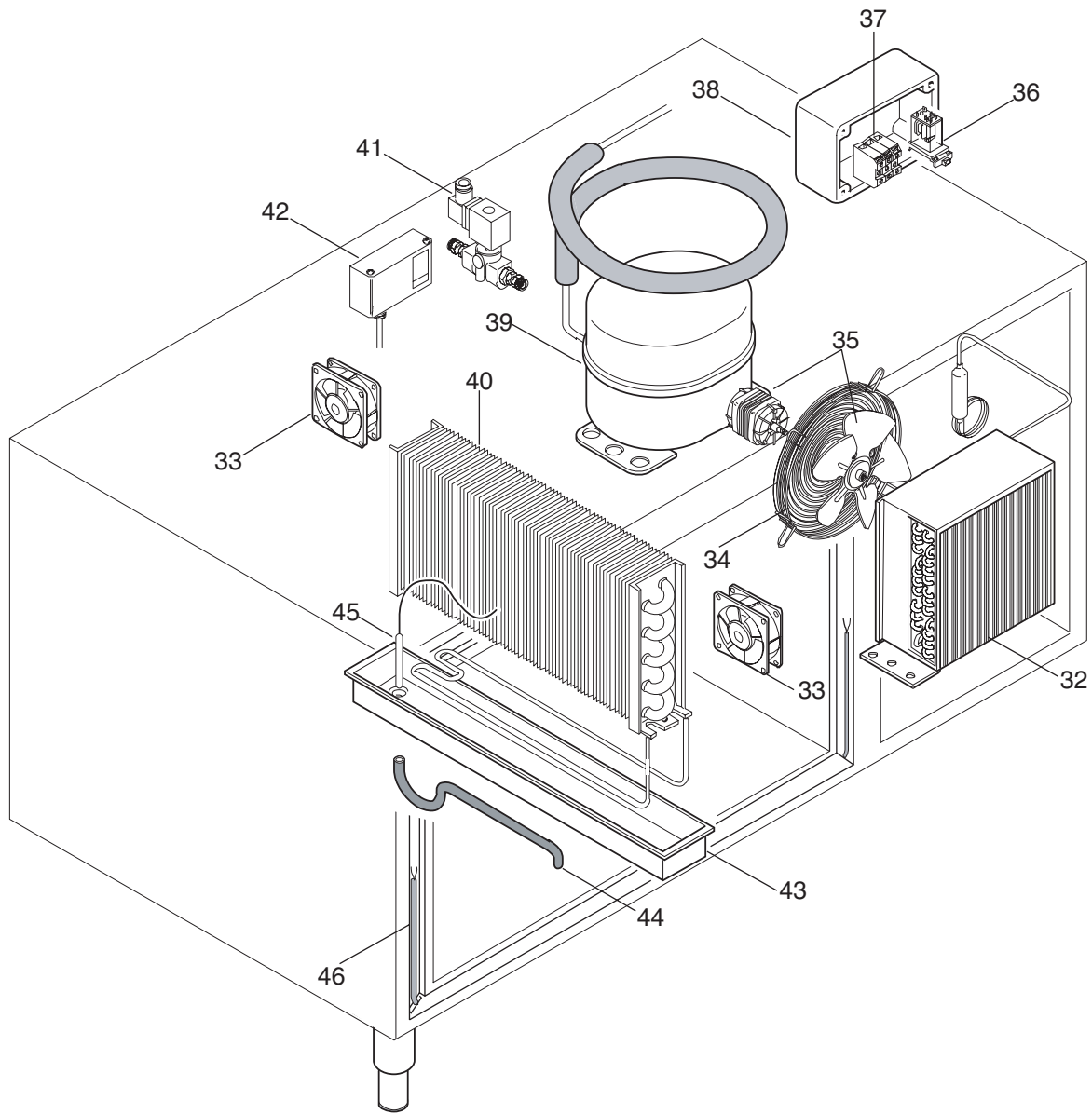
**BASE REFRIGERATA**  
**REFRIGERATED BASE**



**FREEZER E BASE REFRIGERATA  
FREEZER AND REFRIGERATED BASE**



**COMPONENTI BASE REFRIGERATA  
REFRIGERATED BASE COMPONENTS**



**COMPONENTI FREEZER  
FREEZER COMPONENTS**

**FREEZER E BASE REFRIGERATA**  
**FREEZER AND REFRIGERATED BASE**

Code	Type	Ref.	Description
178778	TVR/E3CH	a	Freezer base+2drawers-15-20sc 1200mm
178779	TVR/E3C	b	Refrigerated base with 2drawers 1200MM
178780	TVR/E3	c	Refrigerated base with 2 doors 1200MM
178781	TVR/E4C	d	Refrigerated base with 3 drawes 1600MM
178782	TVR/E4	e	Refrigerated base with 3 doors 1600MM

Pos	Factory Code	6 Dgt Code	Descrizione	Description	Ref. / Notes
			<b>Pagina 1-2</b>	<b>Page 1-2</b>	
1	3960061	091243	Molletta	Spring	
2	3960077	091244	Perno filettato	Pin	
3	2505628	091245	Cruscotto	Control panel	a b c
	2505662	091246	Cruscotto	Control panel	d e
4	2505629	091247	Griglia cruscotto	Grid for control panel	a b c
	2505663	091248	Griglia cruscotto	Grid for control panel	d e
5	3700100	089013	Interruttore generale	Main switch	
6	3700041	091249	Termoregolatore digitale	Digital Thermoregulator	b c d e
	3700051	089012	Termoregolatore digitale per freezer	Digital Thermoregulator for freezer	a
7	2505675	091250	Cerniera superiore destra	Right upper hinge	b c d e
8	2505676	091251	Cerniera inferiore destra	Right lower hinge	b c d e
9	2505677	091252	Cerniera superiore sinistra	Left upper hinge	b c d e
10	2505678	091253	Cerniera inferiore sinistra	Left lower hinge	b c d e
11	3960144	091254	Piastrina cerniera	Plate for hinge	b c d e
12	2505647	091255	Guida destra per griglia	Right runner for grid	b c d e
13	2505648	091256	Guida sinistra per griglia	Left runner for grid	b c d e
14	3960138	091257	Griglia plastica gn1/1	Plastic grid gn 1/1	b c d e
15	3960134	091258	Bacinella per raccolta condensa	Basin for collecting the condensate	b c d e
16	3960084	091259	Piede 1"3/4	Foot 1"3/4	
17	3960036	0C2016	Maniglia	handle	
19	7505017	091616	Assieme frontale porta	Door	c e
20	7505018	091617	Ass. frontale cassetto	Drawer front panel	a b d
21	2505601	091267	Guarnizione magnetica gn 1/1	Magnetic gasket gn 1/1	
22	3305032	091268	Coppia guide telescopiche	Couple of drivers	a b d
23	2505679	091269	Assieme involucro cassetto con guide	Drawer basket with drivers	a b d

**FREEZER E BASE REFRIGERATA  
FREEZER AND REFRIGERATED BASE**

Code	Type	Ref.	Description
178 778	TVR/E3CH	a	Freezer base+2drawers-15-20sc 1200mm
178 779	TVR/E3C	b	Refrigerated base with 2drawers 1200MM
178 780	TVR/E3	c	Refrigerated base with 2 doors 1200MM
178 781	TVR/E4C	d	Refrigerated base with 3 drawes 1600MM
178 782	TVR/E4	e	Refrigerated base with 3 doors 1600MM

Pos	Factory Code	6 Dgt Code	Descrizione	Description	Ref. / Notes
			<b>Pagina 3</b>	<b>Page 3</b>	
24	3650035	091270	Condensatore	Condenser	
25	3650051	091271	Motore ventilatore condensatore	Motor for condenser fan	
26	3650052	091272	Ventola motore ventilatore condens.	Fan for motor condenser fan	
27	3600317	091273	Filtro	Filter	
28	3650047	091274	Compressore	Compressor	
29	3650057	091275	Condensatore elettrico	Electric condenser	
30	3650007	091276	Evaporatore ventilato	Ventilated evaporator	
31	3650114	091277	Motore ventilatore evaporatore	Motor for evaporator fan	
			<b>Pagina 4</b>	<b>Page 4</b>	
32	-	083522	Condensatore	Condenser	a
33	-	083528	Ventilatore evaporatore	Evaporator's fan	a
34	-	083521	Griglia motore condensatore	Condenser motor's grid	a
35	-	083519	Motore+ventola condensatore	Motor and condenser motor	a
36	3650079	089010	Teleruttore	Remote control switch	a
37	3650078	089009	Morsettiera	Main terminal block	a
38	3720001	089008	Scatola impianto elettrico	Electric service box	a
39	3650069	087062	Compressore	Compressor	a
40	-	083529	Evaporatore	Evaporator	a
41	3740019	089020	Elettrovalvola di sbrinamento	Defrosting switch	a
42	3650082	089019	Pressostato di sicurezza	Safety pressure switch	a
43	2505639	091278	Vaschetta raccogli condensa	Basin for collecting condensate	a
44	2505668	091279	Sifone scarico condensa	Syphon for draining the condensate	a
45	3650081	089016	Resistenza di scarico	Draining heating element	a
46	3650089	091280	Resistenza battuta cassetto	Draining stopping heating element	a