

**LAVASTOVIGLIE SOTTOTAVOLO  
UNDERCOUNTER DISHWASHER****WT30H / WT30M / WT30C / EUC3**

Code	Type	Ref.	Pagina/ Page
502313	WT30H208U	a	2 3 5 7
502314	WT30H240U	b	2 3 5 7
502315	EUC3IG8	c	2 3 5 7
502316	EUC3IG4	d	2 3 5 7
502317	WT30H208RU	e	2 3 5 7
502318	WT30H240RU	f	2 3 5 7
502328	WT30M208U	g	2 3 5 7
502329	WT30M240U	h	2 3 5 7
502339	WT30M208DU	i	2 3 5 7
502341	WT30M240DU	l	2 3 5 7
502342	WT30M208RU	m	2 3 5 7
502343	WT30M240RU	n	2 3 5 7
502344	WT30C208DU	o	2 3 5 7
502345	WT30C240DU	p	2 3 5 7
502348	WT30H208WS	q	2 4 6 7
502349	WT30H240WS	r	2 4 6 7

**Pagina/ Page****Indice/ index**

2	Vista generale / Main view
3	Componenti idraulici (no per "q,r") / Hydraulic components (not for "q,r")
4	Componenti idraulici (solo per "q,r") / Hydraulic components (just for "q,r")
5	Circuito idraulico (no per "q,r") / Hydraulic circuit (not for "q,r")
6	Circuito idraulico (solo per "q,r") / Hydraulic circuit (only for "q,r")
7	Componenti elettrici / Electrical components
8 - 18	Lista ricambi / Spare parts list

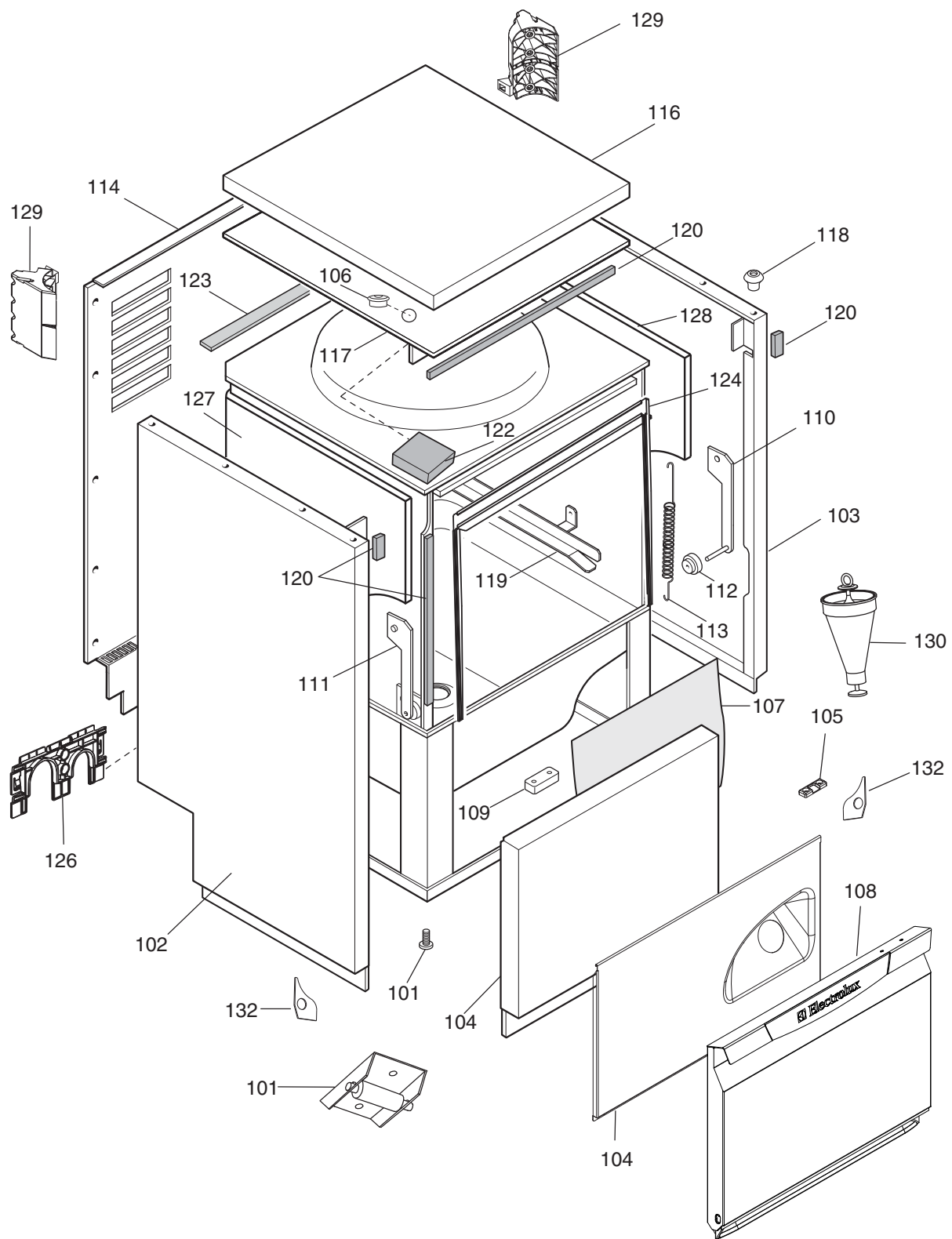
**Marchio/ Brand:** A**Paese/ Country:** CANADA-USA

Da Ser.Nr./From Ser.nr.: /404...

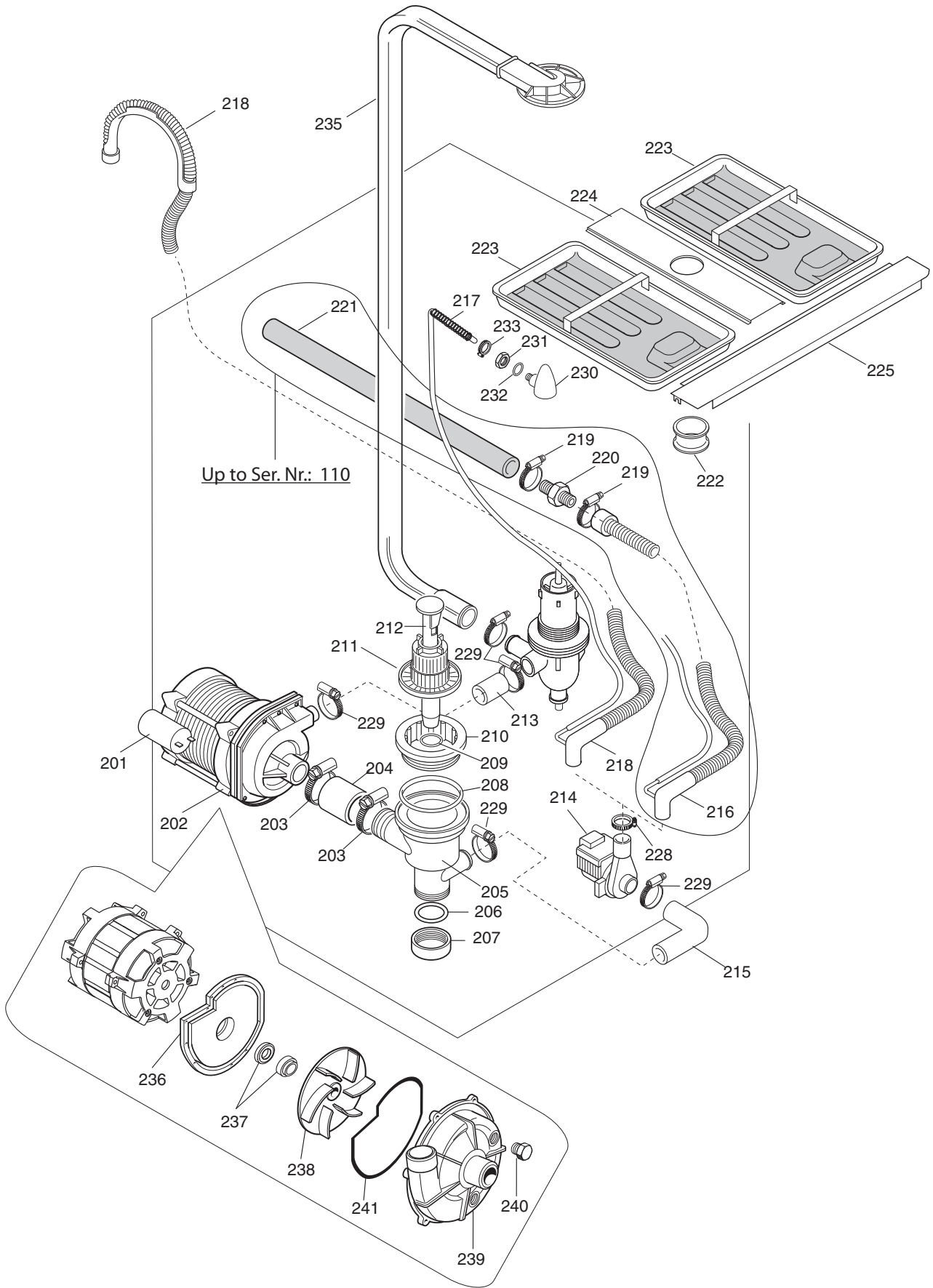
Page: 1

Ed. 2015-07

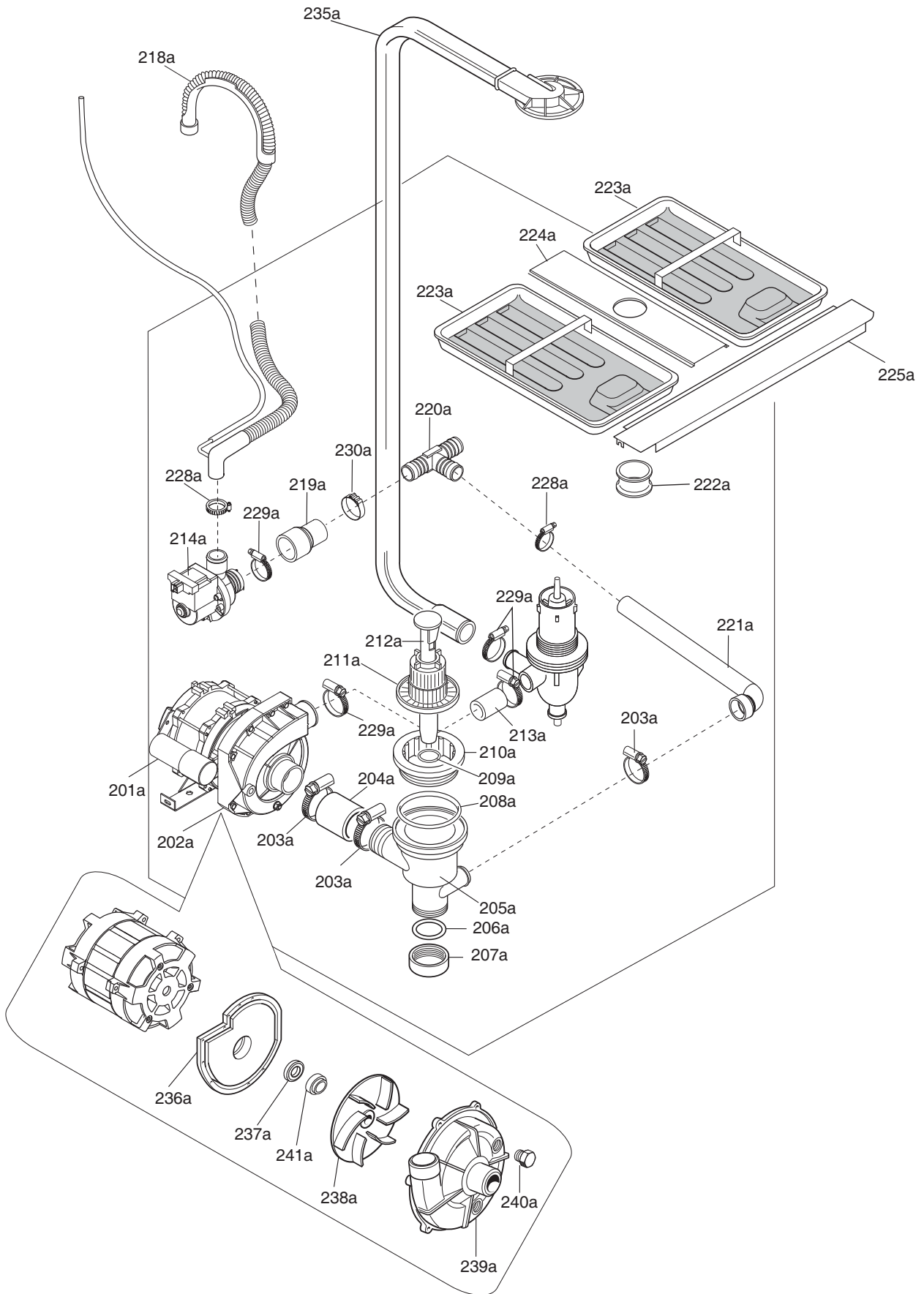
**Doc. Nr.: 6-11 804**



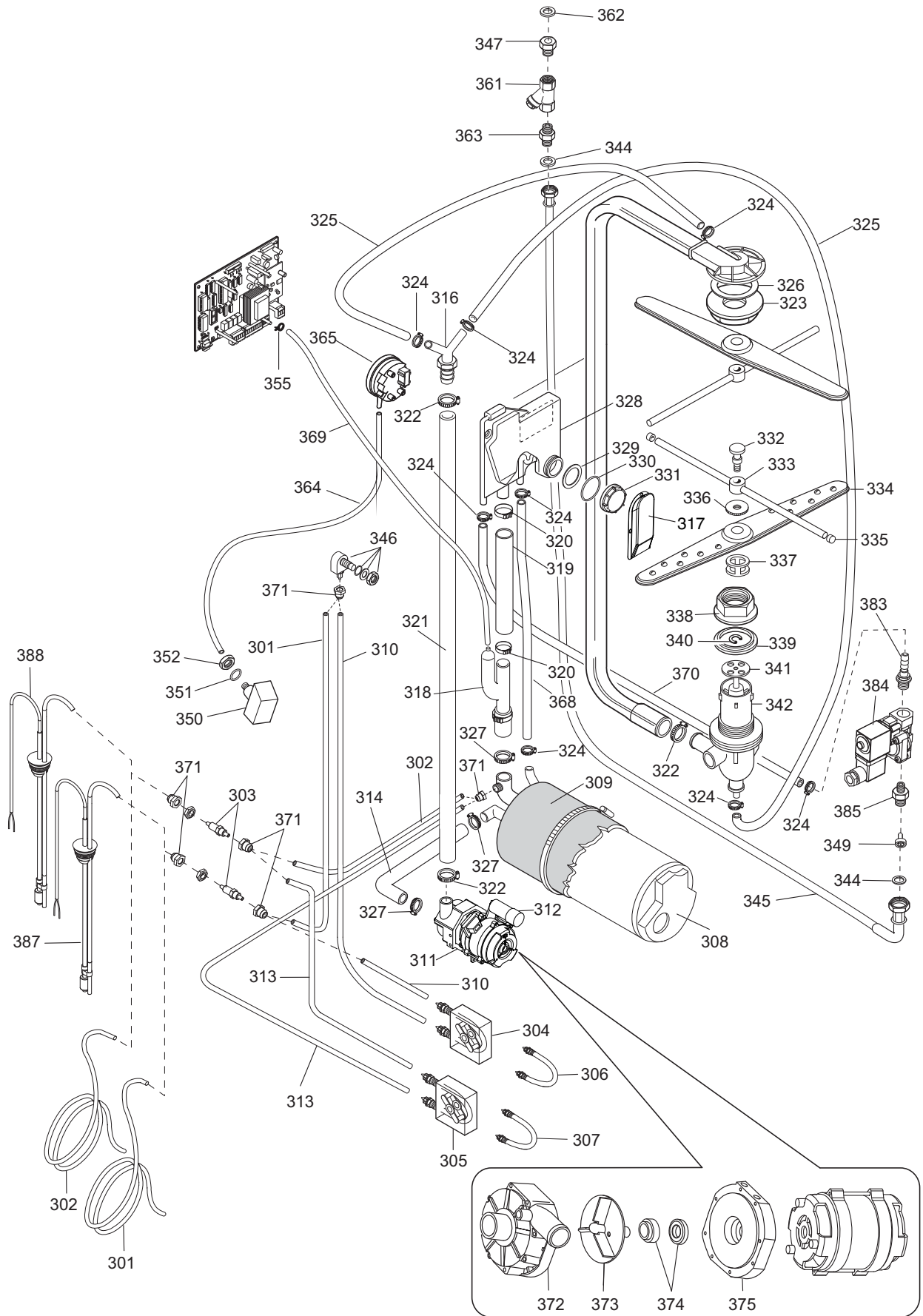
**ill. 611804p2\_USA**  
**Vista generale / Main view**



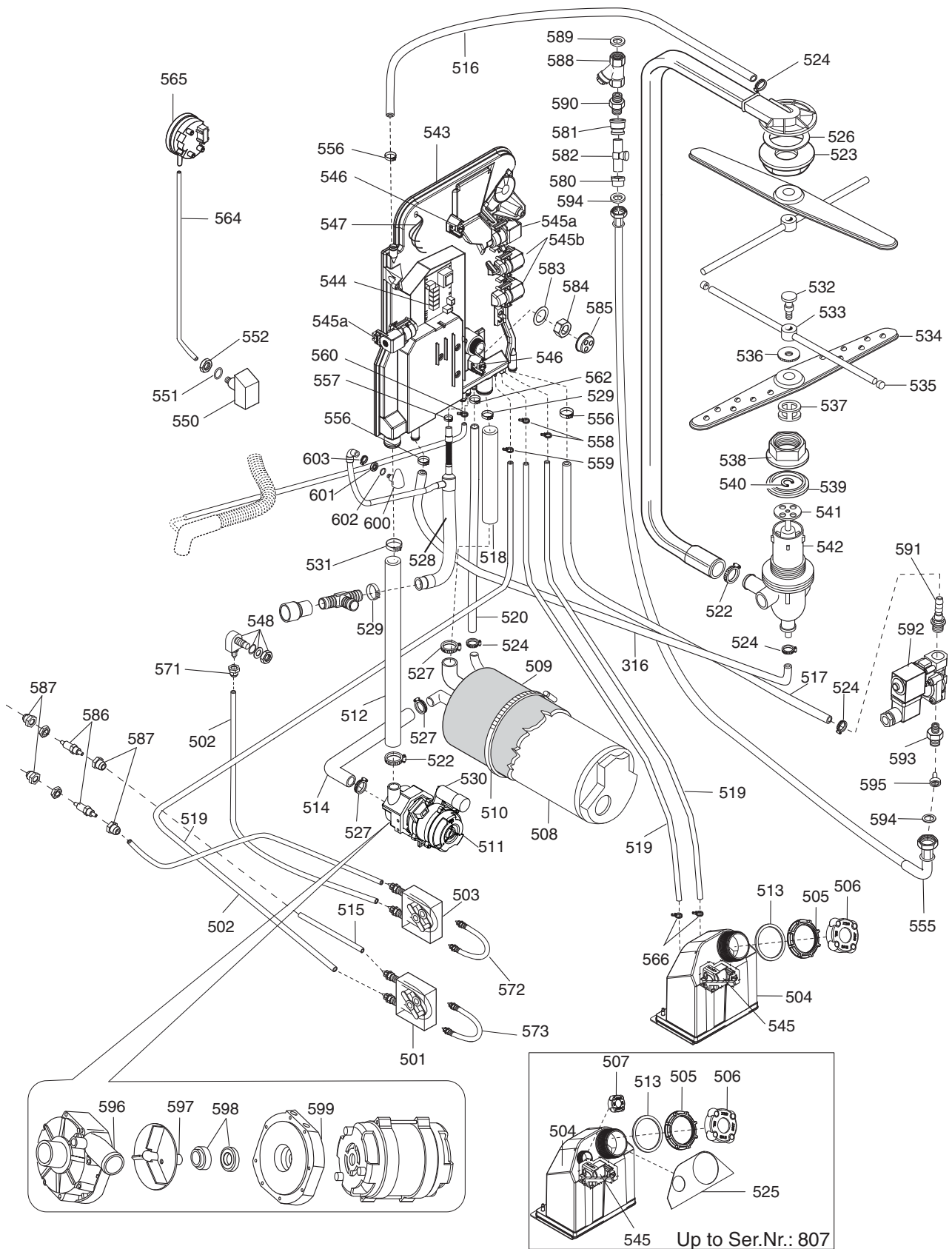
ill. 611004p3\_usa  
 Componenti idraulici (no per "q,r") / Hydraulic components (not for "q,r")



**ill. 611804p4\_USA\_WS**  
**Componenti idraulici (solo per "q,r") / Hydraulic components (just for "q,r")**

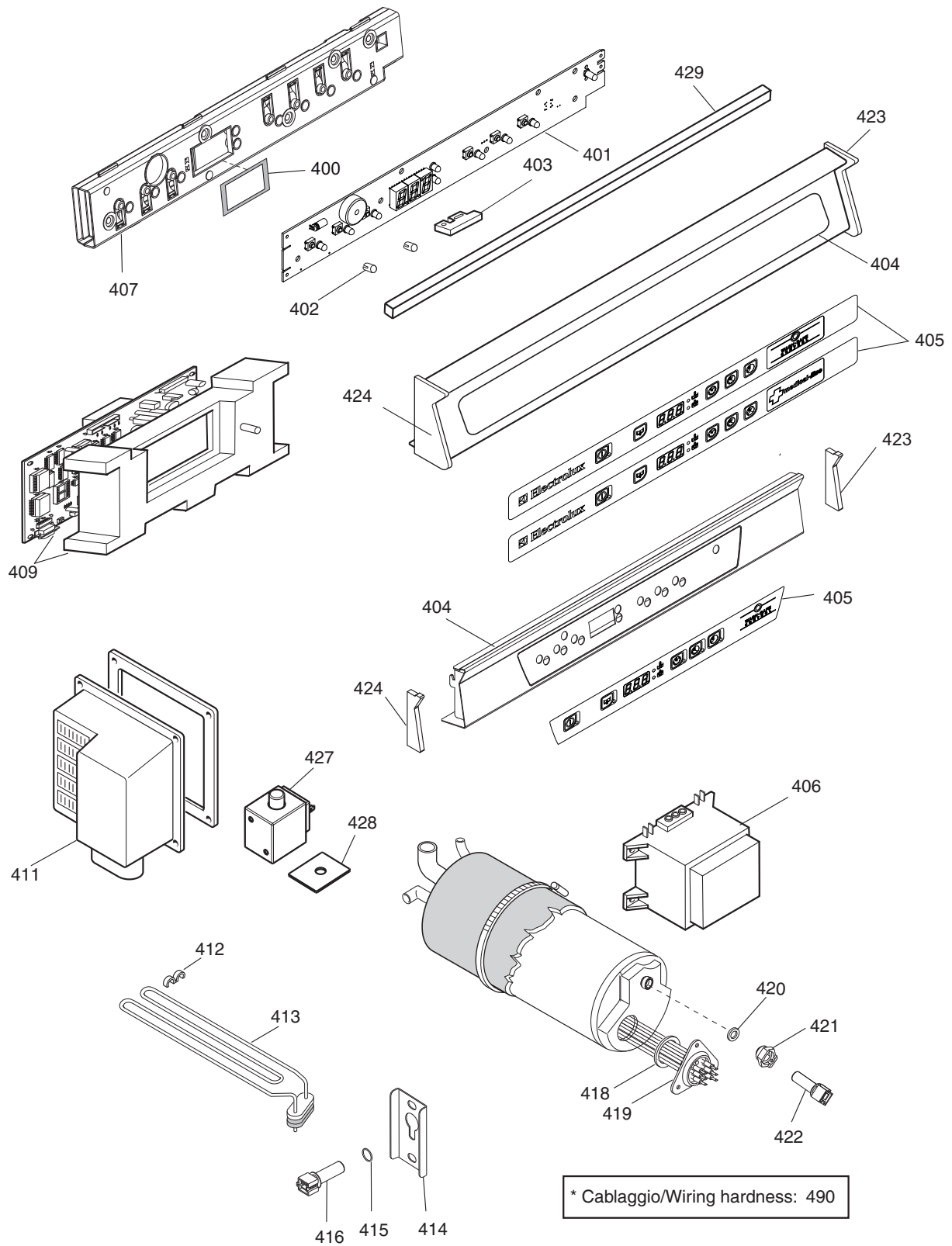


ill. 611004P4\_usa  
**Circuito idraulico (no per "q,r") / Hydraulic circuit (not for "q,r")**



ill. 611804p6\_USA\_WS  
 Circuito idraulico (solo per "q,r") / Hydraulic circuit (only for "q,r")

Da Ser.Nr./From Ser.nr.: /404...



**ill. 611804p7\_USA**  
**Componenti elettrici / Electrical components**

Da Ser.Nr./From Ser.nr.: /404...

Page: 7

Ed.2007-11

Doc. Nr.: **6-11 804**

LAVASTOVIGLIE SOTTOTAVOLO WT30H / WT30M / WT30C / EUC3 UNDERCOUNTER DISHWASHER WT30H / WT30M / WT30C / EUC3				Grassetto = variazioni Bold Print = changes
Pos.	Cod.ric. Part No.	Descrizione	Description	Note / Notes
		<b>Pagina 2: Vista generale</b>	<b>Page 2: Main view</b>	<b>ill. 611804p2_USA</b>
101	<a href="#">049393</a>	Piedino regolabile	Adjustable foot	
101	0L0118	Piede a rullo	Roller	o,p
102	0L0105	Pannello laterale; sx	Side panel; left	Not for "q,r" c,d,o,p,i,l: Up to Ser. Nr. 705
102	<a href="#">0L1385</a>	Pannello laterale; sx	Side panel; left	c,d,o,p,i,l,q,r From Ser. Nr. 706
103	0L0106	Pannello laterale; dx	Side panel; right	Not for "q,r" c,d,o,p,i,l: Up to Ser. Nr. 705
103	<a href="#">0L1386</a>	Pannello laterale; dx	Side panel; right	c,d,o,p,i,l,q,r: From Ser. Nr. 706
104	049911	Pannello frontale	Front panel	Not for q,r - Up to Ser. Nr. 642
104	0L1312	Pannello frontale	Front panel	Not for q,r - From Ser. Nr.: 643 Up to Ser. Nr.: 806
104	<a href="#">0L1313</a>	Pannello frontale	Front panel	Not for q,r - From Ser. Nr.: 807
104	0L0743	Pannello frontale	Front panel	q,r - Up to Ser. Nr.: 806
104	0L1686	Pannello frontale	Front panel	q,r - From Ser. Nr.: 807 Up to Ser. Nr.: 807
104	<a href="#">0L1690</a>	Pannello frontale	Front panel	q,r - From Ser. Nr.: 808
105	<a href="#">0L0532</a>	Fermo porta	Door catch	g,h,i,l,m,n - Medical line
106	<a href="#">0L0533</a>	Tappo	Plug	g,h,i,l,m,n - Medical line
107	<a href="#">0L2663</a>	Protezione scheda	Board protection	From ser. nr.: 207
108	0L0782	Porta	Door	a,b,c,d,e,f,o,p - Up to Ser. Nr.: 723
108	<a href="#">0L0783</a>	Porta	Door	a,b,c,d,e,f,o,p From Ser. Nr.: 724 Up to Ser. Nr.: 851
108	<a href="#">0L1900</a>	Porta	Door	a,b,c,d,e,f,o,p From Ser. Nr.: 852
108	<a href="#">0L0534</a>	Porta	Door	g,h,i,l,m,n - Up to Ser. Nr.: 723
108	0L1252	Porta	Door	g,h,i,l,m,n - From Ser. Nr.: 724
109	<a href="#">049627</a>	Magnete grigio	Magnet	
110	048813	Ass. Leva DX	Assembly Lever right	Up to ser. nr.: 526
110	<a href="#">0L0717</a>	Ass. Leva DX	Assembly Lever right	From ser. nr.: 527
111	048814	Ass. Leva SX	Assembly Lever left	Up to ser. nr.: 526
111	<a href="#">0L0718</a>	Ass. Leva SX	Assembly Lever left	From ser. nr.: 527
112	<a href="#">048812</a>	Bronzina	Bushing	
113	<a href="#">048815</a>	Molla Porta	Door spring	
114	0L0476	Schienale	Back panel	For All - Not for: q,r c,d,o,p,i,l: Up to Ser. Nr. 705
114	0L1424	Schienale	Back panel	c,d,o,p,i,l - From Ser. Nr. 706 Up to Ser. Nr. 710
114	0L1416	Schienale	Back panel	c,d,o,p,i,l - From Ser. Nr.: 711 Up to Ser. Nr.: 851
114	<a href="#">0L1893</a>	Schienale	Back panel	o,p,i,l - From Ser. Nr.: 852
114	<a href="#">0L1893</a>	Schienale	Back panel	c,d - From Ser. Nr.: 852 Up to Ser. Nr.: 107
114	<a href="#">0L1894</a>	Schienale	Back panel	c,d - From Ser. Nr.: 108

LAVASTOVIGLIE SOTTOTAVOLO WT30H / WT30M / WT30C / EUC3 UNDERCOUNTER DISHWASHER WT30H / WT30M / WT30C / EUC3				Grassetto = variazioni Bold Print = changes
Pos.	Cod.ric. Part No.	Descrizione	Description	Note / Notes
114	0L1397	Schienale	Back panel	q,r - From Ser. Nr. 706 Up to Ser. Nr. 710
114	<b>0L1420</b>	Schienale	Back panel	q,r - From Ser. Nr. 711
116	0L0108	Coperchio	Top panel	For All - Not for: q,r c,d,o,p,i,l: Up to Ser. Nr 705
116	0L0744	Coperchio	Top panel	c,d,o,p,i,l,q,r - From Ser. Nr. 706 Up to Ser. Nr. 710
116	<b>0L0745</b>	Coperchio	Top panel	c,d,o,p,i,l,q,r - From Ser. Nr. 711
117	0L0104	Protezione superiore	Upper protection	a,b,e,f c,d,o,p: Up to Ser. Nr 705
117	0L0742	Protezione superiore	Upper protection	c,d,o,p,q,r - From S.N. 706 Up to S.N. 710
117	<b>0L1422</b>	Protezione superiore	Upper protection	c,d,o,pq,r - From Ser. Nr. 711
117	0L0535	Protezione superiore	Upper protection	g,h,m,n - Medical line i,l: Up to Ser. Nr. 710
117	<b>0L1423</b>	Protezione superiore	Upper protection	i,l - From Ser. Nr. 711
118	<b>047511</b>	Piolino	Pin	
119	049493	Ass. supporto Cesto sx	Support; for basket	Up to ser. nr.: 413
119	<b>0L0516</b>	Ass. supporto Cesto	Support; for basket	From ser. nr.: 414
119	048466	Ass. supporto Cesto dx	Support; for basket	Up to ser. nr.: 413
119	<b>0L0516</b>	Ass. supporto Cesto	Support; for basket	From ser. nr.: 414
120	<b>0L0113</b>	Profilo adesivo	Gasket	
122	<b>0L0114</b>	Pannello di rinforzo	Insulation	Not for: q,r
123	<b>0E5559</b>	Guarnizione	Gasket	
124	<b>0L2561</b>	Guarnizione; cornice vasca	Gasket door	a,b,c,d,e,f,o,p
124	<b>0L2562</b>	Guarnizione; cornice vasca	Gasket door	g,h,i,l,m,n - Medical line
126	<b>0L0112</b>	Copertura passatubi	Hoses protection	
127	0L0483	Pannello isolante sinistro	Left insulating panel	For All - Not for: q,r c,d,o,p,i,l: Up to Ser. Nr. 705
127	<b>0L1373</b>	Pannello isolante sinistro	Left insulating panel	c,d,o,p,i,l: From Ser. Nr. 706 q,r
128	<b>0L0482</b>	Pannello isolante destro	Right insulating panel	
129	<b>0L0762</b>	Supporto angolare	Angular support	From Ser. Nr. 706
130	<b>047604</b>	Misurino sale	Salt funnel	q,r
132	049362	Raccogliocce		Not for "q,r" - Up to Ser. Nr. 705
		<b>Pagina 3: Componenti idraulici</b>	<b>Page 3: Hydraulic components</b>	<b>ill. 611004p3_usa Not for: q,r</b>
201	0A2914	Condensatore per lavaggio	Wash pump capacitor	16 µF
202	<b>0L0419</b>	<b>Pompa Lavaggio</b>	<b>Wash pump</b>	<b>Up to Ser. Nr: 4281 60Hz -</b>
202	<b>0L3401</b>	<b>Pompa Lavaggio</b>	<b>Wash pump</b>	<b>From Ser. Nr: 4291 60Hz -</b>
203	<b>0L0193</b>	Fascetta 40-60	Hose clamp 40-60	
204	<b>045768</b>	Tubo Gomma 45x55	Hose	

<b>LAVASTOVIGLIE SOTTOTAVOLO WT30H / WT30M / WT30C / EUC3</b>				<b>Grassetto = variazioni</b>
<b>UNDERCOUNTER DISHWASHER WT30H / WT30M / WT30C / EUC3</b>				<b>Bold Print = changes</b>
<b>Pos.</b>	<b>Cod.ric. Part No.</b>	<b>Descrizione</b>	<b>Description</b>	<b>Note / Notes</b>
205	048325	Coll. Asp. Scarico	Drain manifold	
206	049828	Guarniz. Tappo Ter. Sc.	Gasket	
207	046596	Tappo Terminale Sc.	Plug; for manifold	
208	049894	OR 4*110 Asp Sc.	O Ring	
209	046799	OR Troppo Pieno	O Ring	
210	048326	Ghiera collettore Asp. Sc.	Ring nut; for manifold	
211	048324	Filtro Asp. Pompa	Filter; for pump	
212	048842	Troppo pieno	Overflow pipe	
213	046257	Tubo 42x52	Hose	
214	048939	Pompa scarico	Drain pump 60hz	Up to ser. nr.: 418
214	0L0527	Pompa scarico	Drain pump 60hz	From ser. nr.: 419
215	049877	Manicotto asp scarico	Coupling; drain	
216	049933	Assieme tubo scarico	Drain pipe	c,d - From Ser. Nr.: 852 Up to Ser. Nr.: 110
217	049270	Molla di contenimento	Spring; bending protection	From Ser. Nr.: 214
218	048845	Assieme tubo scarico	Drain pipe	From Ser. Nr.: 111
219	049445	Fasc.Torro 16-27/9	Clip	c,d - From Ser. Nr.: 852 Up to Ser. Nr.: 110
220	0L1379	Raccordo coll. tubo marine	Connection	c,d - From Ser. Nr.: 852 Up to Ser. Nr.: 110
221	049470	Tubo	Pipe	c,d - From Ser. Nr.: 852 Up to Ser. Nr.: 110
222	0L0078	Supporto Filtro	Filter support	
223	049908	Ass.Filtro Vasca	Tank filter	
224	049935	Supporto Centr. Filtri	Support; filters	
225	049936	Supp. Ant. Filtri	Support; filters	
228	047578	Fascetta 26-38 9MM	Hose clamp 26-38	
229	046878	Fascetta 28-50	Hose clamp 38-50	
230	048853	Nasello per vasca	Spigot; air relief	
231	049268	Dado ES.M14X1,5	Nut; M14x1,5	
232	068642	OR 3062; 2,62X15,54	O Ring	
233	046946	Fasc. Torro. W2 8-12/7,5 IVP	Hose clamp 8-12	
235	0L0095	Ass tubo Lavaggio	Hose	
236	0L0498	Flangia	Flange	
237	0L0490	Tenuta	Sharftsealing	
238	0L0493	Girante	Impeller	
239	049526	Chiocciola	Shell	
240	0L0473	Tappo	Plug	
241	048630	Guarnizione	Rubber gasket	
		<b>Pagina 4: Componenti idraulici</b>	<b>Page 4: Hydraulic components</b>	<b>ill. 611804p4_USA_WS (Only for: q,r)</b>
201a	0L1393	Condensatore per lavaggio	Capacitor;	
202a	0L1378	Pompa Lavaggio LGB	Wash pump LGB	60 Hz
203a	0L0193	Fascetta 40-60	Hose clamp 40-60	
204a	0L1374	Tubo Gomma 44.5x55	Hose 44.5x55	

LAVASTOVIGLIE SOTTOTAVOLO WT30H / WT30M / WT30C / EUC3 UNDERCOUNTER DISHWASHER WT30H / WT30M / WT30C / EUC3				Grassetto = variazioni Bold Print = changes
Pos.	Cod.ric. Part No.	Descrizione	Description	Note / Notes
205a	048325	Coll. Asp. Scarico	Drain manifold	
206a	049828	Guarniz. Tappo Ter. Sc.	Gasket	
207a	046596	Tappo Terminale Sc.	Plug; for manifold	
208a	049894	OR 4*110 Asp Sc.	O Ring	
209a	046799	OR Troppo Pieno	O Ring	
210a	048326	Ghiera collettore Asp. Sc.	Ring nut; for manifold	
211a	048324	Filtro Asp. Pompa	Filter; for pump	
212a	048842	Troppo pieno	Overflow pipe	
213a	0L0259	Manicotto 37x52	Manifold 37x52	
214a	0L1131	Pompa scarico 208/240V	Drain pump 208/240V	60Hz - Up to Ser. Nr.: 144
214a	0L2133	Pompa scarico 208/240V	Drain pump 208/240V	60Hz - From Ser. Nr.: 145
218a	0L0773	Tubo Scarico	Drain pipe	
219a	0L0759	Manicotto scarico	Drain manifold	
220a	0L0210	Raccordo a T	T fitting	
221a	0L0760	Manicotto scarico	Drain manifold	
222a	0L0078	Supporto Filtro	Filter support	
223a	049908	Ass.Filtro Vasca	Tank filter	
224a	049935	Supporto Centr. Filtri	Support; filters	
225a	049936	Supp. Ant. Filtri	Support; filters	
228a	047578	Fascetta 26-38	Hose clamp 26-38	
229a	046878	Fascetta 28-50	Hose clamp 28-50	
230a	0L0367	Fascetta D=33	Hose clamp D=33	
235a	0L0777	Ass tubo Lavaggio	Hose	
236a	0L1388	Flangia	Flange	
237a	0L1389	Tenuta fissa	Shaftsealing	
238a	0L1391	Girante	Impeller	
239a	0L1387	Chiocciola	Shell	
240a	0L1392	Tappo	Plug	
241a	0L1390	Tenuta rotante	Shaftsealing	
		<b>Pagina 5: Circuito idraulico</b>	<b>Page 5: Hydraulic circuit</b>	<b>ill. 611004P4_usa (Not for: q,r)</b>
301	049905	Tubo detergente (bianco)	Detergent pipe (white)	2.66 m - a,b,e,f,g,h,m,n
302	0L0481	Tubo brillantante (blu)	Rinse aid pipe (blue)	2.66 m - a,b,g,h
303	0L0478	Connessione	Connection	
304	0L0506	Pompa peristaltica brillantante	Rinse aid pump	e,d,e,f,i,l,m,n,o,p Up to ser. nr.: 521
304	0L0697	Pompa peristaltica brillantante	Rinse aid pump	e,d,e,f,i,l,m,n,o,p From ser. nr.: 522
<b>304</b>	<b>0S1713</b>	<b>Pompa peristaltica brillantante</b>	<b>Rinse aid pump</b>	<b>c,d,e,f,i,l,m,n,o,p</b>
305	0L0507	Pompa peristaltica detergente	Detergent pump	e,d,i,l,o,p Up to ser. nr.: 521
305	0L0704	Pompa peristaltica detergente	Detergent pump	e,d,i,l,o,p From ser. nr.: 522

LAVASTOVIGLIE SOTTOTAVOLO WT30H / WT30M / WT30C / EUC3 UNDERCOUNTER DISHWASHER WT30H / WT30M / WT30C / EUC3				Grassetto = variazioni Bold Print = changes
Pos.	Cod.ric. Part No.	Descrizione	Description	Note / Notes
<b>305</b>	<b>0S1712</b>	<b>Pompa peristaltica detergente</b>	<b>Detergent pump</b>	<b>c,d,i,l,o,p</b>
306	049418	Tubo; interno, brill.	Hose; internal, rin. aid pump	c,d,e,f,i,l,m,n,o,p
307	049419	Tubo; interno, det.	Hose; internal, det. Pump	c,d,i,l,o,p
308	0L0283	Boiler	Boiler	Up to Ser. Nr.: 851
308	0L1906	Boiler	Boiler	From Ser. Nr.: 852
309	0L0420	Isolante per boiler	Insulation; for boiler	
310	049905	Tubo detergente (bianco)	Detergent pipe (white)	2.66 m - c,d,i,l,o,p
311	0L0421	Pompa risciacquo	Rinse pump	60 Hz - Up to ser. nr.: 607
311	0L1098	Pompa risciacquo	Rinse pump	60 Hz - From ser. nr.: 608
312	049260	Condensatore per risc.	Rinse aid pump capacitor	6,3 µF
313	0L0481	Tubo brillantante (blu)	Rinse aid pipe (blue)	2.66 m - e,f,m,n
314	049880	Manicotto asp. Risciaquo	Coupling; rins	Up to ser. nr.: 607
314	0L1108	Manicotto asp. Risciaquo	Coupling; rins	From ser. nr.: 608
316	0L0365	Raccordo 3 vie d.27	Connection 3 way; diam 27-12	
317	0L2560	Protezione ghiera	Guard ring nut	
318	0L0098	Trappola D'aria; boiler	Air trap; boiler	
319	049287	Tubo EPDM 25.5x32	Hose; diam 25	
320	0L0367	Fascetta Cobra	Hose clamp	
321	0L0117	Tubo 26x37	Hose	
322	046878	Fascetta a vite 35 -50	Hose clamp 35-50	
323	048824	Ghiera Supp. Getti Sup.	Ring nut	
324	048126	Fascetta a vite 13 -20	Hose clamp 13-20	
325	048531	Tubo EPDM 12x19.5	Hose	
326	0L0110	Guarnizione Supp. Getti Sup.	Gasket	
327	047578	Fascetta 26-38	Hose clamp 26-38	
328	049459	Air Gap std (chiuso)	AIR GAP (close)	Not for "c,d"
328	049459	Air Gap std (chiuso)	AIR GAP (close)	c,d - Up to Ser. Nr.: 107
328	0L2435	Air Gap std (aperto)	AIR GAP (open)	c,d - From Ser. Nr.: 108
329	0L2664	Guarnizione per AG	Gasket	
330	0L2665	OR per Ghiera AG	O Ring	
331	049480	Ghiera per A.G.	Ring nut	
332	048290	Perno risciaquo	Pin; for rinse jets	
333	048716	Ass. Portagetti Risc.	Rinse jet	Up to Ser. Nr.: 937
333	0L2095	Ass. Portagetti Risc.	Rinse jet	From Ser. Nr.: 938
334	0L0598	Ass. Getti Lavaggio	Washing arms assembly	
335	048714	Tappo Getti risc.	Plug	Up to Ser. Nr.: 937
336	048632	Rondella di Fermo Lavaggio	Lock washer	
337	048401	Mozzo per Getti Lav.	Hub	
338	048330	Ghiera Fiss. Supp. Getti	Ring nut	
339	048236	Guarnizione LS7 e 8	Gasket	
340	048979	Sege	C-Clamp	
341	048820	Parzializzatore	Flow reducer	
342	048819	Supp. Getti Inf.	Jets support; lower	
344	049201	Guarnizione	GASKET; DIAM 3/4	Up to Ser. Nr.: 851

Da Ser.Nr./From Ser.nr.: /404...

LAVASTOVIGLIE SOTTOTAVOLO WT30H / WT30M / WT30C / EUC3 UNDERCOUNTER DISHWASHER WT30H / WT30M / WT30C / EUC3				Grassetto = variazioni Bold Print = changes
Pos.	Cod.ric. Part No.	Descrizione	Description	Note / Notes
344	<a href="#">0L1945</a>	Guarnizione	GASKET; DIAM 3/4	From Ser. Nr.: 852
345	<a href="#">049540</a>	Ass. Tubo alimentazione	Pipe; straight + 90 degr, 2100mm	Up to ser. nr.: 527
345	0L0733	Ass. Tubo alimentazione	Pipe; straight + 90 degr	From Ser. Nr.: 528 Up to Ser. Nr.: 851
345	0L1967	Ass. Tubo alimentazione	Pipe; straight + 90 degr	From Ser. Nr.: 852 Up to Ser. Nr.: 022
345	<a href="#">0L1887</a>	Ass. Tubo alimentazione	Pipe; straight + 90 degr	From Ser. Nr.: 023
346	<a href="#">049801</a>	Iniettore Det. AISI304	Detergent iniection	
347	<a href="#">0L2038</a>	Raccordo 3/4" - 3/4" G	Connection 3/4" - 3/4" G	From Ser. Nr.: 019
349	<a href="#">049650</a>	Parzializzatore; 10L/min	Flow reducer	Not for "c,d"
349	<a href="#">049650</a>	Parzializzatore; 10L/min	Flow reducer	c,d - Up to Ser. Nr.: 107
349	<a href="#">0L0170</a>	Parzializzatore; 5.5L/min	Flow reducer	c,d - From Ser. Nr.: 108
350	<a href="#">048308</a>	Trappola d'aria per pressost.	Air trap	
351	<a href="#">068642</a>	OR 2062x15.54	O Ring	
352	<a href="#">049268</a>	Dado M14x1.5	Nut; M14x1,5	
355	<a href="#">0E5993</a>	Fascetta Elastica su Main Board	Hose clamp	
361	<a href="#">068121</a>	Ass.filtro 3/4 G	Filter	
362	<a href="#">049201</a>	Guarnizione	GASKET; DIAM 3/4	
363	<a href="#">072457</a>	Nipplo ottone 3/4" - 3/4"	Brass nipple 3/4" - 3/4"	
364	<a href="#">049904</a>	Tubo pressostato	Pressure switch hose	
365	<a href="#">049881</a>	Pressostato	Pressure switch	
368	<a href="#">048531</a>	Tubo EPDM 12x19.5	Hose	
369	<a href="#">072393</a>	Tubo EPDM 4x7.4	Hose	
370	<a href="#">048531</a>	Tubo EPDM 12x19.5	Hose	
371	<a href="#">0L2071</a>	Assieme tappo	Plug assembly	
372	<a href="#">0L0495</a>	Chiocciola	Shell	Up to ser. nr.: 607
373	<a href="#">0L0492</a>	Girante	Impeller	Up to ser. nr.: 607
374	<a href="#">0L0489</a>	Tenuta	Sharftsealing	Up to ser. nr.: 607
375	<a href="#">0L0497</a>	Flangia	Flange	Up to ser. nr.: 607
383	<a href="#">0L0477</a>	Portagomma	Fitting	
384	<a href="#">0L0423</a>	Elettrovalvola	Electric valve	a,c,e,g,i,m,o - Up to ser.: 427
384	<a href="#">0L0569</a>	Elettrovalvola	Electric valve	a,c,e,g,i,m,o - From Ser. Nr.: 428 Up to Ser. Nr.: 213
384	<a href="#">0L2656</a>	Elettrovalvola	Electric valve	b,d,f,h,l,n,p - From Ser. Nr.: 214
384	0L0488	Elettrovalvola	Electric valve	b,d,f,h,l,n,p - Up to ser.: 427
384	<a href="#">0L0569</a>	Elettrovalvola	Electric valve	b,d,f,h,l,n,p - From Ser. Nr.: 428 Up to Ser. Nr.: 213
384	<a href="#">0L2656</a>	Elettrovalvola	Electric valve	b,d,f,h,l,n,p - From Ser. Nr.: 214
385	<a href="#">0L0479</a>	Nipplo ottone 3/4"- 3/8"	Brass nipple 3/4" - 3/8"	
387	0L0687	Sensore di livello detergente	Detergent float switch	o,p
388	0L0688	Sensore di livello brillantante	Rinse aid float switch	o,p

LAVASTOVIGLIE SOTTOTAVOLO WT30H / WT30M / WT30C / EUC3 UNDERCOUNTER DISHWASHER WT30H / WT30M / WT30C / EUC3				Grassetto = variazioni Bold Print = changes
Pos.	Cod.ric. Part No.	Descrizione	Description	Note / Notes
		<b>Pagina 6: Circuito idraulico</b>	<b>Page 6: Hydraulic circuit</b>	<b>ill. 611804p6_USA_WS (Only for: q,r)</b>
501	0L0697	Pompa perist. Brillantante	Pump; rinse aid	
502	049905	Tubo detergente (bianco)	Detergent pipe (white)	
<b>503</b>	<b>0S1712</b>	<b>Pompa perist. Detergente</b>	<b>Pump; detergent</b>	
504	0L1694	Boccia Sale + Elettrovalvola	Salt container + Solenoid valve	Up to Ser. Nr.: 807
504	<a href="#">0L1692</a>	Boccia Sale + Elettrovalvola	Salt container + Solenoid valve	From Ser. Nr.: 808
505	<a href="#">0L1693</a>	Ghiera boccia sale	Salt container nut	From Ser. Nr.: 808
506	<a href="#">0L0272</a>	Tappo boccia sale	Salt container plug	From Ser. Nr.: 808
507	0L0749	Tappo contenitore brillantante	Rinse aid container plug	Up to Ser. Nr.: 807
508	0L0778	Boiler	Boiler	Up to Ser. Nr.: 851
508	<a href="#">0L1907</a>	Boiler	Boiler	From Ser. Nr.: 852
509	0L1375	Isolante per boiler	Insulation; for boiler	
510	<a href="#">048222</a>	Fascetta 210-230/12	Hose clamp 210-230/12	
511	<a href="#">0L1098</a>	Pompa risciacquo	Rinse pump	60Hz
512	<a href="#">0L0785</a>	Tubo	Hose	
513	<a href="#">0L1691</a>	Guarnizione boccia sale	Salt container gasket	Up to Ser. Nr.: 807
514	<a href="#">0L1108</a>	Manicotto asp. Risciaquo	Coupling; rinse	
515	<a href="#">0L0481</a>	Tubo brillantante (blu)	Rinse aid pipe (blue)	
516	<a href="#">048531</a>	Tubo 12x19.5	Hose 12x19.5	
517	049379	Tubo 11.5x19.5 WRC	Hose 11.5x19.5 WRC	
518	049287	Tubo 25.5x32	Hose 25.5x32	
519	<a href="#">072393</a>	Tubo 4x7.4	Hose 4x7.4	
520	<a href="#">0L0786</a>	Tubo 8x12	Hose 8x12	
522	<a href="#">046878</a>	Fascetta a vite 35 -50	Hose clamp 35-50	
523	<a href="#">048824</a>	Ghiera Supp. Getti Sup.	Ring nut	
524	<a href="#">048126</a>	Fascetta a vite 13 -20	Hose clamp 13-20	
525	0L0750	Guarnizione boccia sale	Salt container gasket	
526	<a href="#">0L0110</a>	Guarnizione Supp. Getti Sup.	Gasket	
527	<a href="#">047578</a>	Fascetta 26-38	Hose clamp 26-38	
528	0L1488	Tubo scarico addolcitore	Drain hose	
529	<a href="#">0L0367</a>	Fascetta D=33	Hose clamp D=33	
530	049260	Condensatore per risc.	Rinse pump capacitor	6,3 µF
531	<a href="#">0L0201</a>	Fascetta	Hose clamp	
532	<a href="#">048290</a>	Perno risciacquo	Pin; for rinse jets	
533	<a href="#">048716</a>	Getti risciacquo	Rinse jet	Up to Ser. Nr.: 937
533	<a href="#">0L2095</a>	Getti risciacquo	Rinse jet	From Ser. Nr.: 938
534	<a href="#">0L0598</a>	Getti lavaggio	Washing arms	
535	048714	Tappo Getti risciacquo	Rinse jet plug	Up to Ser. Nr.: 937
536	<a href="#">048632</a>	Rondella fermo lavaggio	Lock washer	
537	<a href="#">048401</a>	Mozzo per Getti lavaggio	Hub	
538	<a href="#">048330</a>	Ghiera Fiss. Supp. Getti	Ring nut	
539	<a href="#">048236</a>	Guarnizione	Gasket	
540	<a href="#">048979</a>	Seger	C-Clamp	
541	<a href="#">048820</a>	Parzializzatore	Flow reducer	

LAVASTOVIGLIE SOTTOTAVOLO WT30H / WT30M / WT30C / EUC3 UNDERCOUNTER DISHWASHER WT30H / WT30M / WT30C / EUC3				Grassetto = variazioni Bold Print = changes
Pos.	Cod.ric. Part No.	Descrizione	Description	Note / Notes
542	048819	Supporto getti Inferiore	Jets support; lower	
543	0L0764	Assieme addolcitore	Water softener assembly	
544	0L0767	Scheda elettronica addolcitore	Water softener board	
545a	0L0765	Elettrovalvola addolcitore	Water softener solenoid valve	
545b	0L0766	Elettrovalvola addolcitore	Water softener solenoid valve	
546	0L1369	Sensore reed addolcitore	Water softener reed sensor	
547	0L0768	Cablaggio addolcitore	Water softener wiring harness	
548	049801	Iniettore detergente	Detergent injector	
550	048308	Trappola d'aria per pressostato	Air trap	
551	068642	OR 2062	O Ring 2062	
552	049268	Dado M14x1.5	Nut; M14x1.5	
555	0L0733	Tubo alimentazione	Feeding hose	Up to Ser. Nr.: 851
555	0L1967	Tubo alimentazione	Feeding hose	From Ser. Nr.: 852
556	0L0814	Fascetta D=18	Hose clamp D=18	
557	0L0769	Fascetta D=14	Hose clamp D=14	
558	0L0770	Fascetta D=8.8-9.3	Hose clamp D=8.8-9.3	
559	0L0815	Fascetta D=7.8-8.3	Hose clamp D=7.8-8.3	
560	0L1106	Fascetta D=14,4-15,1	Hose clamp D=14,4-15,1	
562	0L0771	Fascetta D=11	Hose clamp D=11	
564	049904	Tubo pressostato	Pressure switch hose	
565	049881	Pressostato	Pressure switch	
566	0L0083	Fascetta D=9.3-9.9	Hose clamp D=9.3-9.9	
567	0L0082	Fascetta D=7.3-7.8	Hose clamp D=7.3-7.8	
571	0L2071	Assieme tappo	Plug assembly	
572	049419	Tubo; interno, detergente	Hose; internal, detergent pump	
573	049418	Tubo; interno, brillantante	Hose; internal, rinse aid pump	
580	0L0262	Riduzione M.3/4" - F.1/2"	Adapter M.3/4" - F.1/2"	
581	0L0263	Manicotto F.3/4"	Coupling F.3/4"	
582	0L0264	Doppia valvola di non ritorno	Double check valve	
583	0L0752	Guarnizione D=27x40	Gasket D=27x40	
584	0L0903	Dado fissaggio addolcitore	Water softener fixing nut	
585	0L0747	Coperchio	Cover	
586	0L0478	Connessione	Connection	
587	0L2071	Assieme tappo	Plug assembly	
588	068121	Ass.filtro 3/4 G	Filter	
589	049201	Guarnizione	GASKET; DIAM 3/4	
590	072457	Nipplo ottone 3/4" - 3/4"	Brass nipple 3/4" - 3/4"	
591	0L0477	Portagomma	Fitting	
592	0L0569	Elettrovalvola	Electric valve	Up to Ser. Nr.: 213
592	0L2656	Elettrovalvola	Electric valve	From Ser. nr.: 214
593	0L0479	Nipplo ottone 3/4"- 3/8"	Brass nipple 3/4"- 3/8"	
594	049201	Guarnizione	GASKET; DIAM 3/4	Up to Ser. Nr.: 851
594	0L1945	Guarnizione	GASKET; DIAM 3/4	From Ser. Nr.: 852
595	0L0169	Parzializzatore; 5L/min	Flow reducer; 5L/min	
596	0L0495	Chiocciola	Shell	

LAVASTOVIGLIE SOTTOTAVOLO WT30H / WT30M / WT30C / EUC3 UNDERCOUNTER DISHWASHER WT30H / WT30M / WT30C / EUC3				Grassetto = variazioni Bold Print = changes
Pos.	Cod.ric. Part No.	Descrizione	Description	Note / Notes
597	<a href="#">0L0492</a>	Girante	Impeller	
598	<a href="#">0L0489</a>	Tenuta	Shaftsealing	
599	<a href="#">0L0497</a>	Flangia	Flange	
600	<a href="#">048853</a>	Nasello per vasca	Spigot; air relief	
601	<a href="#">049268</a>	Dado ES.M14X1,5	Nut; M14x1,5	
602	<a href="#">068642</a>	OR 3062; 2,62X15,54	O Ring	
603	<a href="#">046946</a>	Fasc. Torro. W2 8-12/7,5 IVP	Hose clamp 8-12	
		<b>Pagina 7: Componenti elettrici</b>	<b>Page 7: Electrical components</b>	<b>ill. 611804p7_USA</b>
400	<a href="#">0L1943</a>	Guarnizione display	Display gasket	From Ser. Nr.: 743
401	0L0279	Interfaccia utente	User Interface	Up to ser. nr.: 421
401	0L0538	Interfaccia utente	User Interface	From ser. nr.: 422 Up to ser. nr.: 523
401	0L0726	Interfaccia utente	User Interface	From ser. nr.: 524 Up to Ser. Nr.: 622
401	0L1241	Interfaccia utente	User Interface	From Ser. Nr.: 623 Up to Ser. Nr.: 742
401	0L1565	Interfaccia utente	User Interface	From Ser. Nr.: 743
402	<a href="#">002670</a>	Prolunga pulsante	Extension plug	Up to Ser. Nr.: 742
403	<a href="#">0L1871</a>	Sensore reed	Reed sensor	
404	049937	Ass. cruscotto	Control panel	a,b,e,f c,d,o,p: Up to Ser. Nr. 705
404	0L0779	Ass. cruscotto	Control panel	c,d,o,p,q,r - From Ser. Nr.: 706 Up to Ser. Nr.: 806
404	<a href="#">0L1658</a>	Ass. cruscotto	Control panel	c,d,o,p,q,r - From Ser. Nr.: 807 Up to Ser. Nr.: 851
404	<a href="#">0L1904</a>	Ass. cruscotto	Control panel	c,d,o,p,q,r - From Ser. Nr.: 852
404	0L0539	Ass. cruscotto	Control panel	g,h,m,n - Medical line i,l: Up to Ser. Nr. 705
404	0L1401	Ass. cruscotto	Control panel	i,l - From Ser. Nr. 706 Up to Ser. Nr.: 806
404	0L1659	Ass. cruscotto	Control panel	i,l - From Ser. Nr. 807
405	<a href="#">0L0032</a>	Membrana adesiva	Membrane	a,b,c,d,e,f,q,r Up to Ser. Nr.: 806
405	0L1650	Membrana adesiva	Membrane	a,b,c,d,e,f,q,r - From Ser. Nr.: 807 Up to Ser. Nr.: 851
405	<a href="#">0L1895</a>	Membrana adesiva	Membrane	a,b,c,d,e,f,q,r - From Ser. Nr.: 852
405	0L0681	Membrana adesiva	Membrane	o,p
405	<a href="#">0L0281</a>	Membrana adesiva	Membrane	g,h,i,l,m,n - Medical line Up to Ser. Nr.: 806
405	0L1652	Membrana adesiva	Membrane	g,h,i,l,m,n - Medical line From Ser. Nr.: 807
406	<a href="#">0L0540</a>	Trasform. 30VA 180/254V	Transform. 30VA 180/254V	g,h,i,l,m,n
407	0L1567	Copertura interfaccia utente	User interface cover	From Ser. Nr.: 743
409	<a href="#">0L2583</a>	Scheda madre	Main board	Not for "q,r"

LAVASTOVIGLIE SOTTOTAVOLO WT30H / WT30M / WT30C / EUC3 UNDERCOUNTER DISHWASHER WT30H / WT30M / WT30C / EUC3				Grassetto = variazioni Bold Print = changes
Pos.	Cod.ric. Part No.	Descrizione	Description	Note / Notes
409	<a href="#">0L2584</a>	Scheda madre	Main board	q,r
411	<a href="#">0L0111</a>	Morsettiera Princ.	Junction box	
412	<a href="#">048429</a>	Fissaggio Res. Vasca	Bracket	
413	<a href="#">0L0424</a>	Res. Vasca 2,2 kW, 208V	Heating element; 2,2kW, 208V	a,c,e,g,i,m,o,q
413	<a href="#">0L0426</a>	Res. Vasca 2,2 kW, 240V	Heating element; 2,2kW, 240V	b,d,f,h,l,n,p,r
414	<a href="#">0L0366</a>	Supp Sensore	Support; sensor	
415	<a href="#">0L2303</a>	OR 2037	O Ring	
416	<a href="#">049643</a>	Sensore NTC	NTC sensor	
418	<a href="#">0L2304</a>	OR 6225	O-Ring	
419	<a href="#">0L0428</a>	Res. Flangiata 6kW 208V	Heating element 6kW 208V	a,c,e,g,i,m,o,q - Up to Ser. Nr.: 022
419	<a href="#">0L2769</a>	Res. Flangiata 6kW 208V	Heating element 6kW 208V	a,c,e,g,i,m,o,q - From Ser. Nr.: 023
419	<a href="#">0L0429</a>	Res. Flangiata 6kW 240V	Heating element 6kW 240V	b,d,f,h,l,n,p,r - Up to Ser. Nr.: 107
419	<a href="#">0L2459</a>	Res. Flangiata 6kW 240V	Heating element 6kW 240V	b,f,h,l,n,p,r - From Ser. Nr.: 108
419	<a href="#">0L2459</a>	Res. Flangiata 6kW 240V	Heating element 6kW 240V	d - Up to Ser. Nr.: 342
419	<a href="#">0L2459</a>	Res. Flangiata 6kW 240V	Heating element 6kW 240V	d - From to Ser. Nr.: 343
420	<a href="#">0L2303</a>	OR 2037	O Ring	
421	<a href="#">0L0280</a>	Premistoppa	Stuffing box	
422	<a href="#">049643</a>	Sonda di Temperatura	Temperature sound	
423	<a href="#">049939</a>	Guarnizione DX	Gasket right	Not for "q,r" - Up to Ser. Nr.: 806
423	<a href="#">0L0754</a>	Guarnizione DX	Gasket right	q,r - Up to Ser. Nr.: 806
423	<a href="#">049925</a>	Guarnizione DX	Gasket right	From Ser. Nr.: 807 Up to Ser.: 310
423	<a href="#">0L0756</a>	Guarnizione DX	Gasket right	From Ser. Nr.: 311
424	<a href="#">049940</a>	Guarnizione SX	Gasket left	Not for "q,r"- Up to Ser. Nr.: 806
424	<a href="#">0L0753</a>	Guarnizione SX	Gasket left	q,r - Up to Ser. Nr.: 806
424	<a href="#">049927</a>	Guarnizione SX	Gasket left	From Ser. Nr.: 807 Up to Ser.: 310
424	<a href="#">0L0755</a>	Guarnizione SX	Gasket left	From Ser. Nr.: 311
427	<a href="#">0L0603</a>	Elettromagnete	Electromagnet	g,h,i,l,m,n
428	<a href="#">0L0543</a>	Guarnizione elettromagnete	Electromagnet gasket	g,h,i,l,m,n
429	<a href="#">0L0544</a>	Guarnizione cruscotto	Control panel gasket	g,h,i,l,m,n
490	<a href="#">0L0486</a>	Cablaggio	Wiring harness	Not for : q,r
490	<a href="#">0L1415</a>	Cablaggio	Wiring harness	q,r
490	<a href="#">0L0604</a>	Cablaggio aggiuntivo	Additional wiring harness	g,h,i,l,m,n

LAVASTOVIGLIE SOTTOTAVOLO WT30H / WT30M / WT30C / EUC3 UNDERCOUNTER DISHWASHER WT30H / WT30M / WT30C / EUC3				Grassetto = variazioni Bold Print = changes
Pos.	Cod.ric. Part No.	Descrizione	Description	Note / Notes