

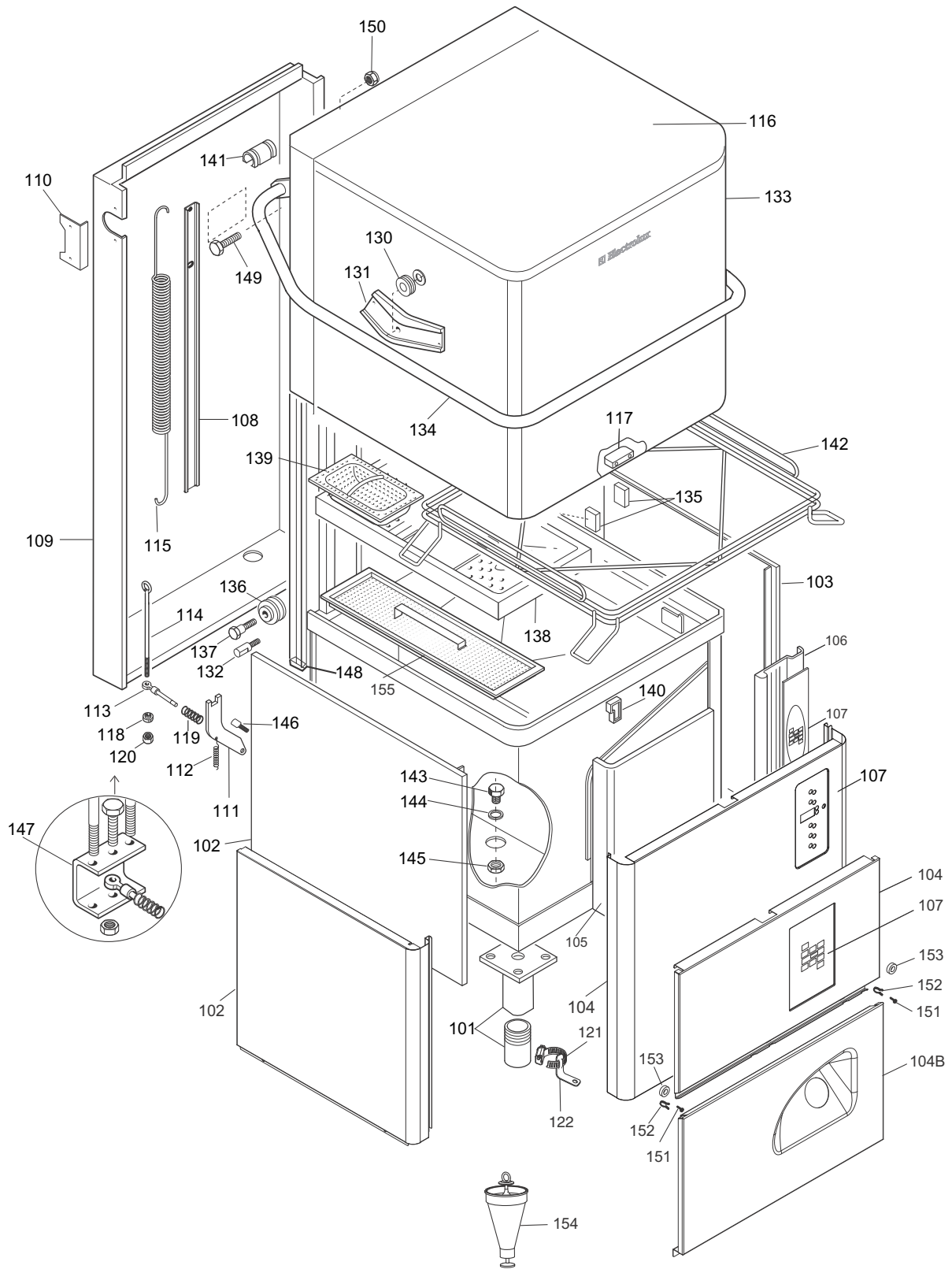
**LAVASTOVIGLIE A CAPPOTTINA  
HOOD TYPE DISHWASHER****WT65H/WT65M**

Code	Type	Ref.	Pagina/ Page
504188	WT65H208U	a	2 3 5 7
504189	WT65H240U	b	2 3 5 7
504199	WT65H208DU	c	2 3 5 7
504200	WT65H240DU	d	2 3 5 7
504201	WT65H208RU	e	2 3 5 7
504202	WT65H240RU	f	2 3 5 7
504203	WT65M208U	g	2 3 5 7
504204	WT65M240U	h	2 3 5 7
504205	WT65M208DU	i	2 3 5 7
504206	WT65M240DU	l	2 3 5 7
504207	WT65M208RU	m	2 3 5 7
504208	WT65M240RU	n	2 3 5 7
504216	WT65H208WS	o	2 4 6 7
504217	WT65H240WS	p	2 4 6 7

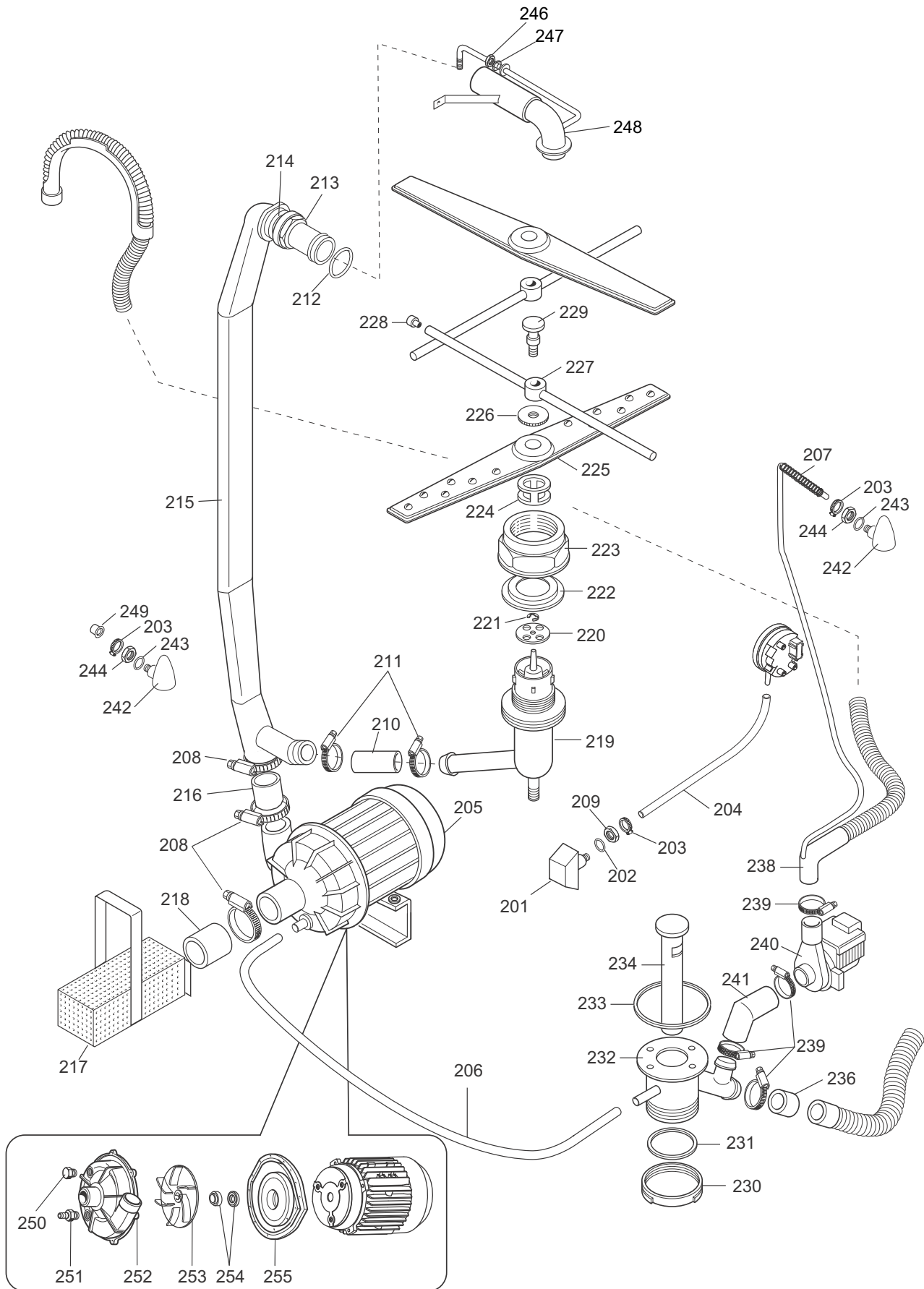
**Pagina/ Page****Indice/ index**

2	Vista generale / Main view
3	Componenti idraulici (non per "o,p") / Hydraulic components (not for "o,p")
4	Componenti idraulici (solo per "o,p") / Hydraulic components (just for "o,p")
5	Circuito idraulico (non per "o,p") / Hydraulic circuit (not for "o,p")
6	Circuito idraulico (solo per "o,p") / Hydraulic circuit (just for "o,p")
7	Componenti elettrici / Electrical components
8 - 17	Lista ricambi / Spare parts list

**Marchio/ Brand:** A**Paese/ Country:** CANADA - USA



ill. 641805p1  
 Vista generale / Main view



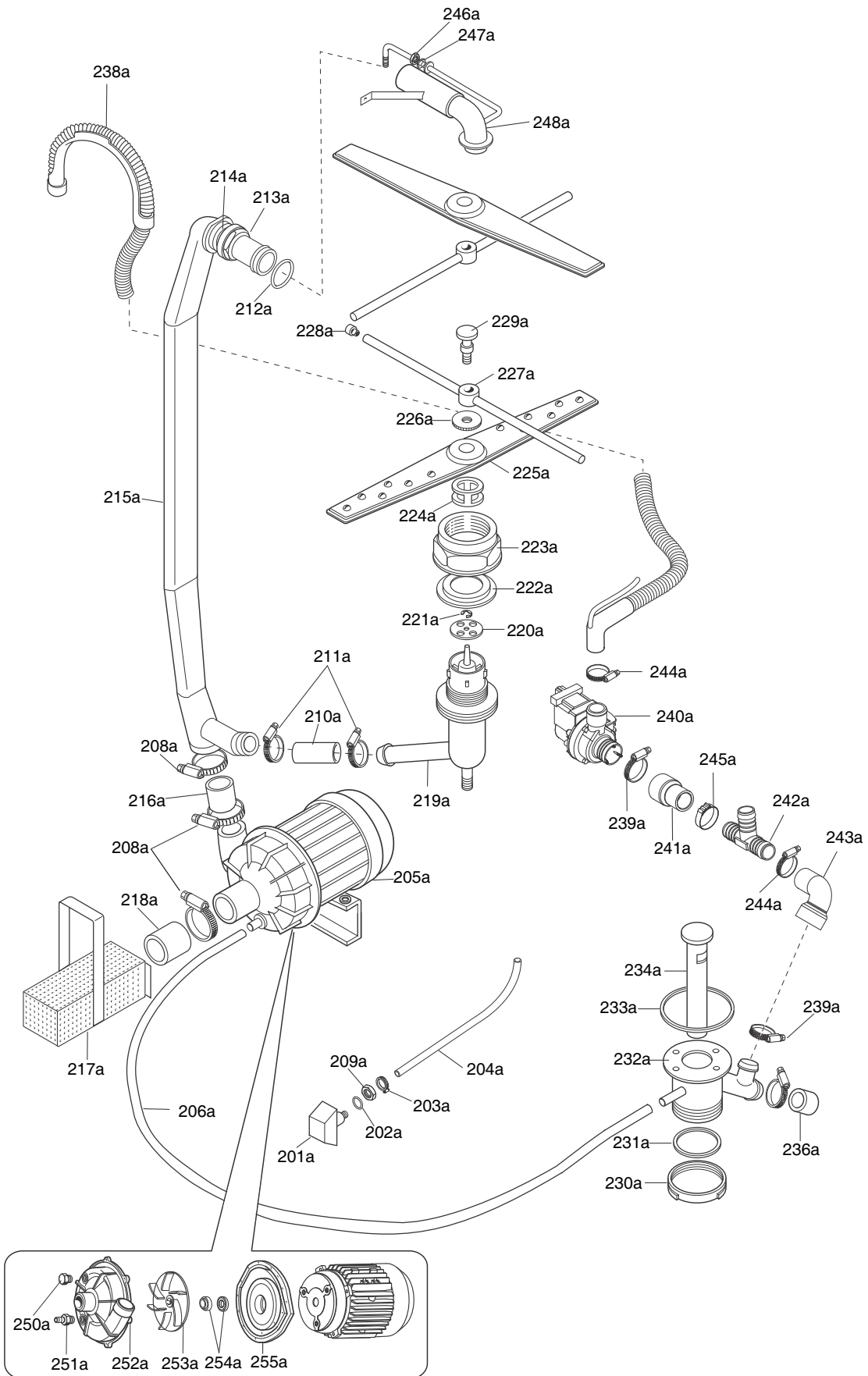
ill. 641005p2\_USA

Componenti idraulici (non per "o,p") / Hydraulic components (not for "o,p")

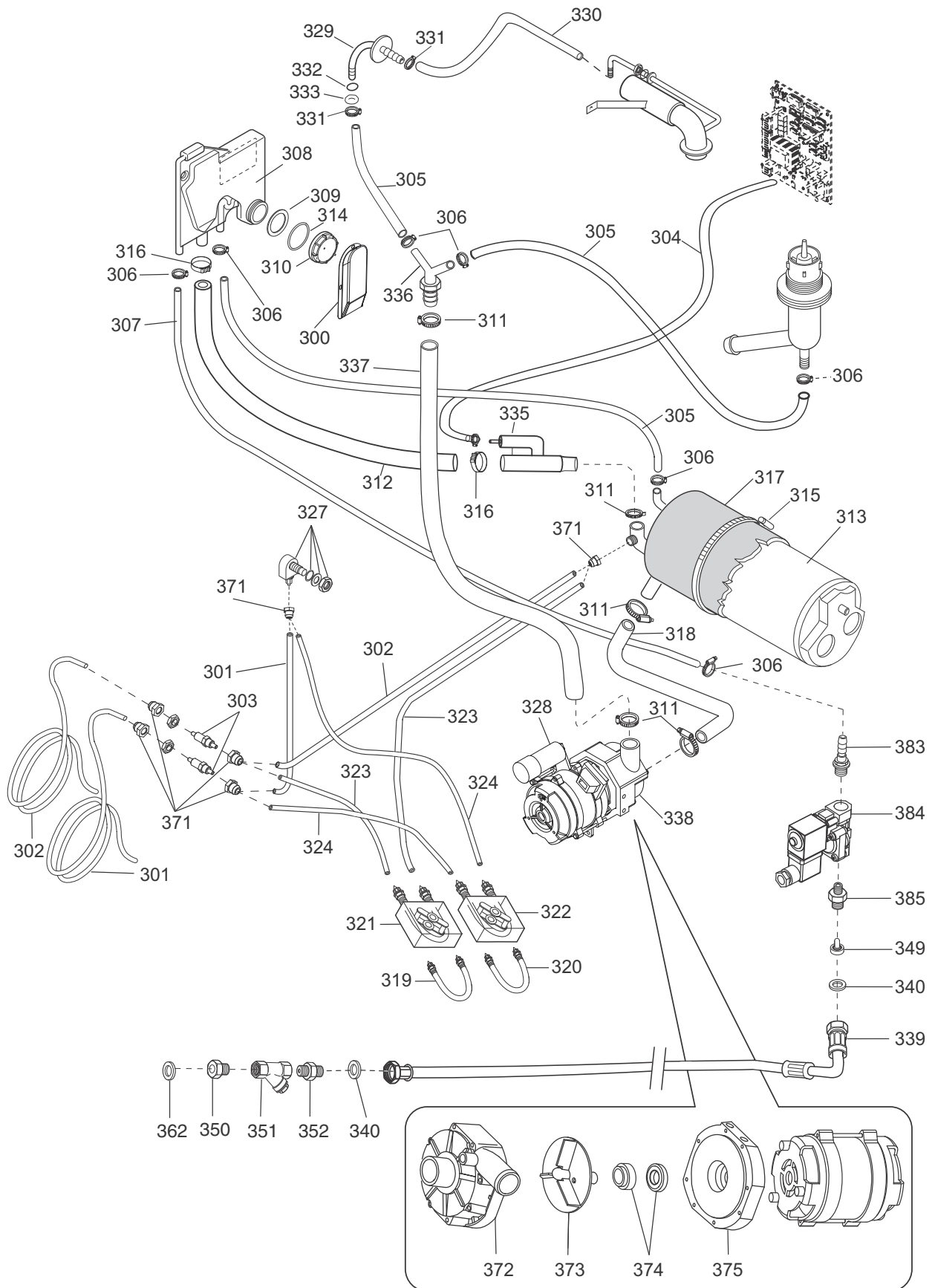
Da Ser.Nr./From Ser.nr.: /404....

Page 3 Ed.2012-03

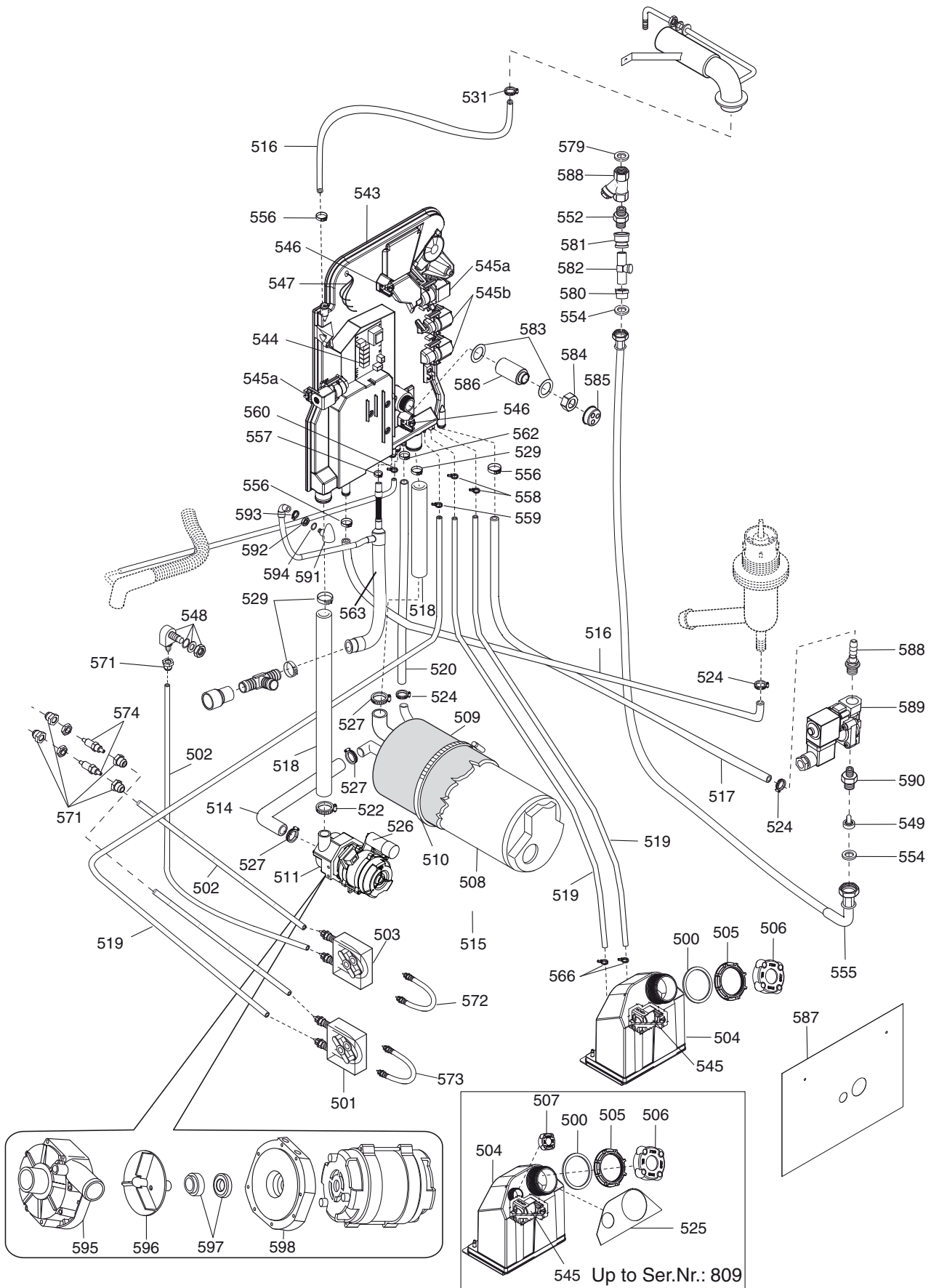
Doc. Nr.: 6-41 805



ill. 641805p3\_WS  
 Componenti idraulici (solo per "o,p") / Hydraulic components (just for "o,p")



ill. 641005p3\_usa  
 Circuito idraulico (non per "o,p") / Hydraulic circuit (not for "o,p")

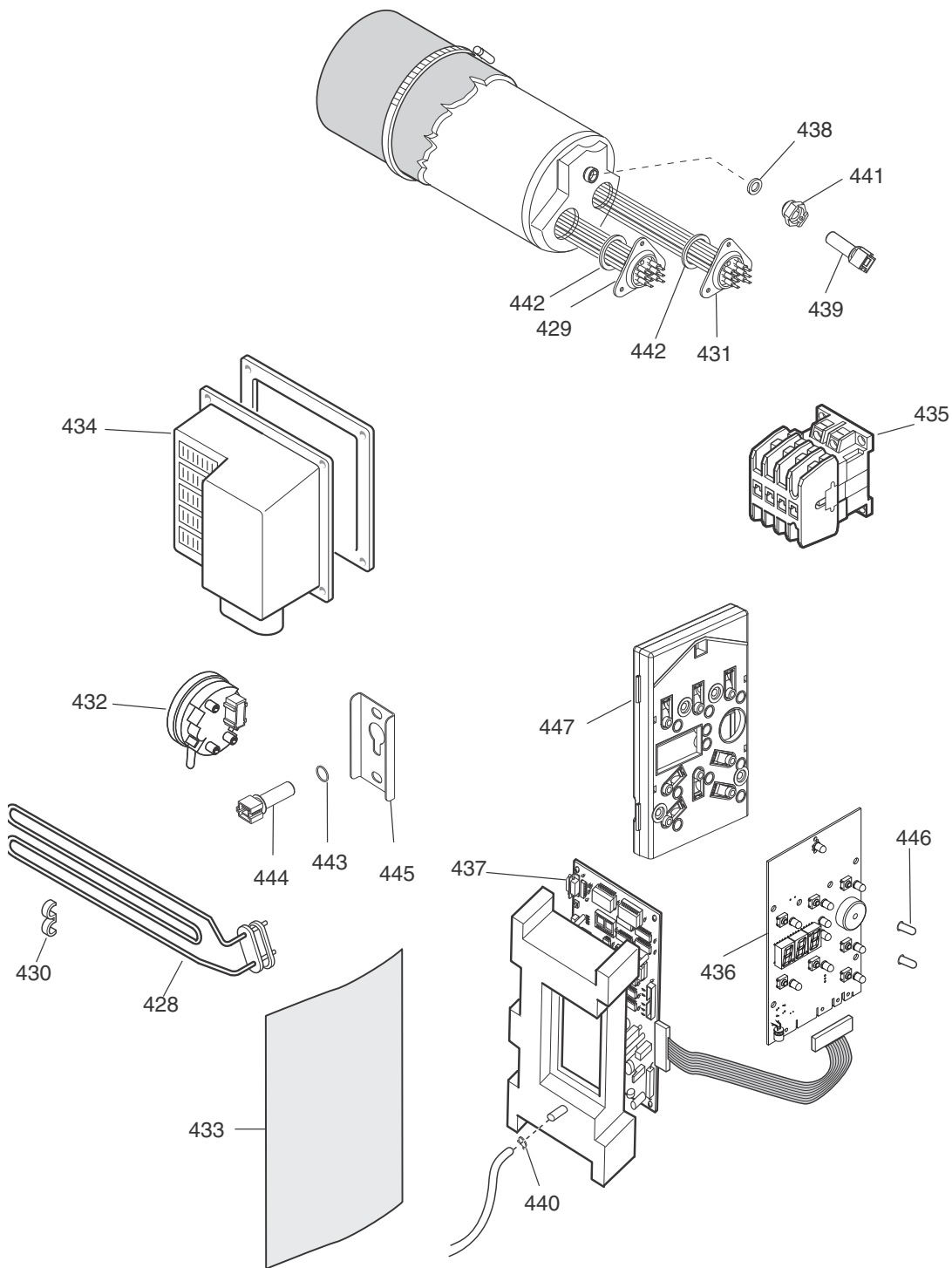


**ill. 641805p6\_WS**

**Circuito idraulico (solo per "o,p") / Hydraulic circuit (just for "o,p")**

Da Ser.Nr./From Ser.nr.: /404....

\* Cablaggio/Wiring hardness: 490



**ill. 641005p4\_usa**  
**Componenti elettrici / Electrical components**

LAVASTOVIGLIE CAPPOTTINA WT65H / WT65M HOOD TYPE DISHWASHER WT65H / WT65M				Grassetto = variazioni Bold Print = changes
Pos.	Cod.ric. Part No.	Descrizione	Description	Note / Notes
		<b>Pagina 2: Vista generale</b>	<b>Page 2: Main view</b>	<b>ill. 641805p1</b>
101	0L0016	Piede; compl.	Foot; compl.	Up to Ser. Nr. 712
101	048579	Piede; compl.	Foot; compl.	c,d,i,l,o,p - From Ser. Nr. 713
102	049743	Pannello laterale sx	Side panel, left	Not for: o,p
102	0L0792	Pannello laterale sx	Side panel, left	o,p
103	049742	Pannello laterale dx	Side panel, right	Not for: o,p
103	0L0791	Pannello laterale dx	Side panel, right	o,p
104	0L1134	Pannello comandi	Control panel	Not for: o,p From Ser. Nr.: 620 Up to Ser. Nr.: 810
104	0L1685	Pannello comandi	Control panel	Not for: o,p From Ser. Nr.: 811
104	0L1136	Pannello comandi	Control panel	o,p - Up to Ser. Nr.: 810
104	0L1684	Pannello comandi	Control panel	o,p - From Ser. Nr.: 811
104B	0L0798	Pannello boccia sale	Salt container panel	o,p - Up to Ser. Nr.: 809
104B	0L1689	Pannello boccia sale	Salt container panel	o,p - From Ser. Nr.: 810
105	0L0287	Pannello frontale	Front panel	Up to Ser. nr.: 619
106	0L0013	Pannello comandi	Control panel	Up to Ser. nr.: 619
107	0L0007	Membrana adesiva	Membrane	a,b,c,d,e,f - Up to Ser. nr.: 619
107	0L1137	Membrana adesiva	Membrane	a,b,e,f - From Ser. nr.: 620
107	0L1137	Membrana adesiva	Membrane	c,d,o,p - From Ser. nr.: 620 Up to Ser. Nr.: 810
107	0L1673	Membrana adesiva	Membrane	c,d,o,p - From Ser. nr.: 811 Up to Ser. Nr.: 851
107	0L1930	Membrana adesiva	Membrane	c,d,o,p - From Ser. nr.: 852
107	0L0282	Membrana adesiva	Membrane	g,h,i,l,m,n - Up to Ser. nr.: 619
107	0L1139	Membrana adesiva	Membrane	g,h,i,l,m,n From Ser. nr.: 620
108	0L0606	Asta di bloccaggio	Locking rod	g,h,i,l,m,n
109	0C1406	Schienale	Back	a,b,c,d,e,f Up to Ser. Nr.: 851
109	0L1968	Schienale	Back	a,b,c,d,e,f - From Ser. Nr.: 852 Up to Ser. Nr.: 102
109	0L1919	Schienale	Back	a,b,c,d,e,f - From Ser. Nr.: 103
109	0L1399	Schienale	Back	o,p
109	0L0607	Schienale	Back	g,h,i,l,m,n - Medical line
110	0L1698	Squadretta; sx	Plate; left	o,p
110	0L1699	Squadretta; dx	Plate; right	o,p
110	0L0003	Squadretta; sx	Plate; left	Not for "o,p" Up to Ser. Nr.: 851
110	0L1921	Squadretta; sx	Plate; left	Not for "o,p" From Ser. Nr.: 852

LAVASTOVIGLIE CAPPOTTINA WT65H / WT65M HOOD TYPE DISHWASHER WT65H / WT65M				Grassetto = variazioni Bold Print = changes
Pos.	Cod.ric. Part No.	Descrizione	Description	Note / Notes
110	0L0004	Squadretta; dx	Plate; right	Not for "o,p" Up to Ser. Nr.: 851
110	0L1922	Squadretta; dx	Plate; right	Not for "o,p" From Ser. Nr.: 852
111	049578	Leva di sicurezza	Lever; safety	
112	049584	Molla per leva	Spring; lever	
113	049591	Perno per sicurezza	Pin; safety	
114	049583	Tendimolla	Spring stretcher	
115	049582	Molla	Spring	
116	049794	Coperchio	Cover	
117	049627	Magnete	Magnet	
118	049761	Boccola	Bush	
119	049585	Molla; sicurezza	Spring; safety	
120	0H2562	Dado M6	Nut M6	
121	0L2463	Fascetta 50-70	Hose clamp 50-70	From Ser. Nr.: 103
122	0L2464	Squadretta di fissaggio	Floor fixing bracket	From Ser. Nr.: 103
130	049598	Rotella; maniglia	Roller; hendle	
131	049597	Guida; maniglia	Guide; handle	
132	048635	Perno	Pin	
133	0L0018	Cappotta	Hood	Up to ser. nr. 406
133	0L0433	Cappotta	Hood	a,b,c,d,e,f,o,p From Ser. Nr.: 407 Up to Ser. Nr.: 851
133	0L2123	Cappotta	Hood	a,b,c,d,e,f,o,p From Ser. Nr.: 852
133	0L0435	Cappotta	Hood	g,h,i,l,m,n
134	049989	Maniglione; compl.	Handle; compl.	Up to ser. nr. 527
134	049996	Maniglione; compl.	Handle; compl.	From ser. nr. 528 Up to Ser. Nr.: 851
134	0L1927	Maniglione; compl.	Handle; compl.	From ser. Nr.: 852
135	0L0480	Coibentante adesivo	Adhesive insulated panel	
136	048657	Ruota	Wheel	
137	048656	Perno; ruota	Pin; wheel	
138	049846	Filtro piano	Filter plate	a,b,e,f,g,h,i,l,m,n
138	049846	Filtro piano	Filter plate	c,d,o,p - Up to Ser. Nr.: 851
139	048252	Filtro; cestello	Filter; basket	a,b,e,f,g,h,i,l,m,n
139	048252	Filtro; cestello	Filter; basket	c,d,o,p - Up to Ser. Nr.: 851
140	0L1871	Sensore	Sensor	
141	049594	Supporto	Support	
142	049629	Guida cesto; compl.	Guide; compl.	Up to ser. nr. 527
142	0L0289	Guida cesto; compl.	Guide; compl.	From ser. nr. 528 Up to ser. nr. 619
142	049629	Guida cesto; compl.	Guide; compl.	From Ser. nr. 620
143	049502	Tappo; M20X1,5	Plug; M20x1,5	
144	048245	Guarnizione	Gasket	
145	049436	Dado; M20X1,5	Nut; M20x1,5	

LAVASTOVIGLIE CAPPOTTINA WT65H / WT65M HOOD TYPE DISHWASHER WT65H / WT65M				Grassetto = variazioni Bold Print = changes
Pos.	Cod.ric. Part No.	Descrizione	Description	Note / Notes
146	049586	Perno; leva	Pin; lever	
147	049579	Squadretta	Plate	
148	048710	Paracolpi; inferiore	Shock absorber; lower	
149	0L0100	Vite	Screw	
150	0L0101	Dado	Nut	
151	0L0802	Aggancio maschio	Male spring latch	o,p
152	0L0803	Aggancio femmina	Female spring latch	o,p
153	0L0801	Distanziale	Spacer	o,p
154	047604	Misurino sale	Salt fannel	o,p
155	0L0069	Filtro	Filter	c,d,o,p - From Ser. Nr.: 852
		<b>Pagina 3: Componenti idraulici</b>	<b>Page 3: Hydraulic components</b>	<b>ill. 641005p2_USA (not for: o,p)</b>
201	048308	Trappola d'aria	Air trap	
202	068642	O ring	O Ring	
203	046946	Fascetta 8-12	Hose clamp 8-12	
204	048883	Tubo 5x12	Hose 5x12	Up to Ser. nr.: 006
204	049904	Tubo	Hose	From Ser. nr.: 007
205	0L0422	Pompa lavaggio; 208-240V	Wash pump; 208-240V	60HZ
206	048531	Tubo gomma; L=1645 MM	Hose	
207	049270	Molla di contenimento	Spring; bending protection	From Ser. Nr.: 214
208	046853	Fascetta 68-85	Hose clamp 68-85	
209	049268	Dado; M14X1,5	Nut; M14x1,5	
210	0L0558	Manicotto	Hose	Up to ser. nr.: 443
210	0L0612	Manicotto	Hose	From ser. nr.: 444
211	0L0193	Fascetta 40-60	Hose clamp 40-60	
212	0L0185	O Ring	O Ring	
213	049596	Ghiera	Ring nut	Up to Ser. nr.: 425
213	0L0557	Ghiera	Ring nut	From Ser. nr.: 426
214	049593	O Ring	O Ring	
215	049595	Tubo; collegamento getti	Pipe; jets connection	Up to Ser. nr.: 425
215	0L0556	Tubo collegamento getti	Pipe; jets connection	From Ser. nr.: 426
216	045456	Tubo	Hose	Up to ser. nr.: 443
216	0L0613	Tubo	Hose	From ser. nr.: 444
217	049810	Protezione pompa; compl.	Pump protection;compl.	
218	048242	Manicotto	Hose	
219	048235	Supporto getti inferiore	Jets support; lower	
220	048931	Parzializzatore	Flow reducer	
221	048979	Anello seger	C-Clamp	
222	048236	Guarnizione	Gasket	
223	048237	Ghiera	Ring nut	
224	048401	Mozzo	Hub	
225	0L0597	Assieme getto lavaggio	Washing arm assembly	
226	048632	Rondella di fermo	Lock washer	

<b>LAVASTOVIGLIE CAPPOTTINA WT65H / WT65M</b>				<b>Grassetto = variazioni</b>
<b>HOOD TYPE DISHWASHER WT65H / WT65M</b>				<b>Bold Print = changes</b>
<b>Pos.</b>	<b>Cod.ric. Part No.</b>	<b>Descrizione</b>	<b>Description</b>	<b>Note / Notes</b>
227	048716	Getto risciacquo	Rinse jet	Up to Ser. Nr.: 938
227	0L2095	Getto risciacquo	Rinse jet	From Ser. Nr.: 939
228	048714	Tappo	Plug	Up to Ser. Nr.: 938
229	048290	Perno; per getti risciaquo	Pin; for rinse jets	
230	048231	Tappo	Plug	
231	048230	Guarnizione	Gasket	
232	049600	Supporto scarico	Support; drain	
233	048229	Guarnizione	Gasket	
234	049140	Troppo pieno	Overflow pipe	
236	047555	Tappo	Plug	
238	048845	Tubo di scarico; per pompa	Drain pipe; for drain pump	
239	046878	Fascetta 38-50	Hose clamp 38-50	
240	048939	Pompa di scarico	Drain pump 60hz	Up to ser. nr.: 418
240	0L1131	Pompa scarico	Drain pump 60hz	From ser. nr.: 419
				Up to Ser. Nr.: 144
240	0L2133	Pompa scarico	Drain pump 60hz	From Ser. Nr.: 145
241	048328	Tubo di scarico	Drain pipe	
242	048853	Nasello di sfiato	Spigot; air relief	
243	068642	O Ring	O Ring	
244	049268	Dado; M14x1,5	Nut; M14x1,5	
246	049436	Dado; M20X1,5	Nut; M20x1,5	
247	046799	O ring	O ring	
248	049634	Supporto getti superiore	Jets support; upper	
249	049849	Tappo ingresso det.	Plug inlet det.	
250	049560	Tappo	Plug	
251	049561	Portagomma	Hose nipple	
252	0L0496	Chiocciola	Shell	
253	0L0494	Girante	Impeller	
254	0L0491	Tenuta	Shaftsealing	
255	049178	Flangia	Flange	
		<b>Pagina 4: Componenti idraulici</b>	<b>Page 4: Hydraulic components</b>	<b>ill. 641805p3_WS</b>
201a	048308	Trappola d'aria	Air trap	
202a	068642	O ring	O Ring	
203a	046946	Fascetta 8-12	Hose clamp 8-12	
204a	048883	Tubo 5x12	Hose 5x12	Up to Ser. nr.: 006
204a	049904	Tubo	Hose	From Ser. nr.: 007
205a	0L0422	Pompa lavaggio; 208/240V	Wash pump; 208/240V	60 Hz
206a	048531	Tubo gomma	Hose	L=1645 mm
208a	046853	Fascetta 68-85	Hose clamp 68-85	
209a	049268	Dado; M14X1,5	Nut; M14x1,5	
210a	0L0612	Manicotto	Hose	
211a	0L0193	Fascetta 40-60	Hose clamp 40-60	
212a	0L0185	O Ring	O Ring	

LAVASTOVIGLIE CAPPOTTINA WT65H / WT65M HOOD TYPE DISHWASHER WT65H / WT65M				Grassetto = variazioni Bold Print = changes
Pos.	Cod.ric. Part No.	Descrizione	Description	Note / Notes
213a	0L0557	Ghiera	Ring nut	
214a	049593	O Ring	O Ring	
215a	0L0556	Tubo collegamento getti	Pipe; jets connection	
216a	0L0613	Tubo	Hose	
217a	049810	Filtro aspirazione pompa	suction pump filter	
218a	048242	Manicotto	Hose	
219a	048235	Supporto getti inferiore	Jets support; lower	
220a	048931	Parzializzatore	Flow reducer	
221a	048979	Anello seger	C-Clamp	
222a	048236	Guarnizione	Gasket	
223a	048237	Ghiera	Ring nut	
224a	048401	Mozzo	Hub	
225a	0L0597	Assieme getto lavaggio	Washing arm assembly	
226a	048632	Rondella di fermo	Lock washer	
227a	048716	Getto risciacquo	Rinse jet	
228a	048714	Tappo	Plug	
229a	048290	Perno; per getti risciaquo	Pin; for rinse jets	
230a	048231	Tappo	Plug	
231a	048230	Guarnizione	Gasket	
232a	049600	Supporto scarico	Support; drain	
233a	048229	Guarnizione	Gasket	
234a	049140	Troppo pieno	Overflow pipe	
236a	047555	Tappo	Plug	
238a	0L0806	Tubo di scarico	Drain pipe	
239a	046878	Fascetta 38-50	Hose clamp 38-50	
240a	0L1131	Pompa di scarico	Drain pump	60 Hz
241a	0L0759	Manicotto scarico	Drain manifold	
242a	0L0210	Raccordo a T	T fitting	
243a	0L0800	Manicotto scarico	Drain manifold	
244a	047578	Fascetta 26-38	Hose clamp 26-38	
245a	0L0367	Fascetta D=33	Hose clamp D=33	
246a	049436	Dado; M20X1,5	Nut; M20x1,5	
247a	046799	O ring	O ring	
248a	0L0812	Supporto getti superiore	Jets support; upper	
250a	049560	Tappo	Plug	
251a	049561	Portagomma	Hose nipple	
252a	0L0496	Chiocciola	Shell	
253a	0L0494	Girante	Impeller	
254a	0L0491	Tenuta	Shaftsealing	
255a	049178	Flangia	Flange	
		<b>Pagina 5: Circuito idraulico</b>	<b>Page 5: Hydraulic circuit</b>	ill. 641005p3_usa ( not for: o,p)
300	0L2560	Protezione ghiera	Guard ring nut	

<b>LAVASTOVIGLIE CAPPOTTINA WT65H / WT65M</b>				<b>Grassetto = variazioni</b>
<b>HOOD TYPE DISHWASHER WT65H / WT65M</b>				<b>Bold Print = changes</b>
<b>Pos.</b>	<b>Cod.ric. Part No.</b>	<b>Descrizione</b>	<b>Description</b>	<b>Note / Notes</b>
301	049905	Tubo detergente (bianco)	Detergent pipe (white)	2.66 m - a,b,e,f,g,h,m,n
302	0L0481	Tubo brillantante (blu)	Rinse aid pipe (blue)	2.66 m - a,b,g,h
303	0L0478	Connessione	Connection	
304	072393	Tubo gomma	Hose	L=2100 mm
305	048531	Tubo gomma	Hose	L=1645 mm
306	048126	Fascetta 13-20	Hose clamp 13-20	
307	048531	Tubo gomma	Hose	L=1645 mm
308	049459	Salto in aria	AIR GAP	Up to Ser. Nr.: 102
308	0L2435	Salto in aria	AIR GAP	From Ser. Nr.: 103
309	0L2664	Guarnizione	Gasket	
310	049480	Ghiera	Ring nut	
311	047578	Fascetta 26-38	Hose clamp 26-38	
312	049287	Tubo; D 25, L=430 MM	Hose; diam 25	
313	0L0347	Boiler	Boiler	Up to Ser. Nr.: 851
313	0L1951	Boiler	Boiler	From Ser. Nr.: 852
314	0L2665	O ring	O Ring	
315	048436	Fascetta 226-256	Hose clamp 226-256	
316	0L0367	Fascetta Cobra	Hose clamp	
317	0L0420	Coimbentazione boiler	Boylor insulation	
318	049599	Tubo	Hose	
319	049418	Tubo; interno, pompa brill.	Hose;internal, rinse aid pump	c,d,e,f,i,l,m,n
320	049419	Tubo; interno, pompa det.	Hose; internal, detergent pump	c,d,i,l
321	0L0506	Pompa peristaltica brillantante	Rinse aid pump	c,d,e,f,i,l,m,n - Up to ser. nr. 521
321	0L0697	Pompa peristaltica brillantante	Rinse aid pump	c,d,e,f,i,l,m,n - From ser. nr. 522
322	0L0507	Pompa peristaltica detergente	Detergent pump	c,d,i,l - Up to ser. nr. 521
322	0L0704	Pompa peristaltica detergente	Detergent pump	c,d,i,l - From ser. nr. 522
323	049905	Tubo detergente (bianco)	Detergent pipe (white)	2.66 m - c,d,i,l
324	0L0481	Tubo brillantante (blu)	Rinse aid pipe (blue)	2.66 m - e,f,m,n
327	049801	Iniettore detergente	Iniection spigot	
328	049260	Condensatore per pompa risc.	Rinse aid pump capacitor	6,3 µF
329	0L0052	Raccordo portagomma	Connection	From Ser. nr.: 620
330	0L1115	Tubo 12x19,5WRC	Hose 12x19,5WRC	From Ser. nr.: 620
331	049888	Fascetta	Hose clamp	From Ser. nr.: 620
332	046799	O Ring	O Ring	From Ser. nr.: 620
333	049436	Dado M20x1,5	Nut M20x1,5	From Ser. nr.: 620
335	049628	Trapola d'aria;boiler	Air trap;boiler	
336	0L0365	Raccordo 3 vie; D 27-12	Connection 3 ways; D 27-12	
337	049773	Tubo	Hose	
338	0L0421	Pompa risciacquo	Rinse pump	Up to ser. nr.: 607
338	0L1098	Pompa risciacquo	Rinse pump	From ser. nr.: 608
339	049540	Tubo; dritto+90 GR, 2,1m	Pipe; straight + 90 degr, 2,1m	Up to ser. nr.: 527
339	0L0733	Tubo alimentazione	Feeding hose	From ser. nr.: 528 Up to Ser. Nr.: 851

LAVASTOVIGLIE CAPPOTTINA WT65H / WT65M HOOD TYPE DISHWASHER WT65H / WT65M				Grassetto = variazioni Bold Print = changes
Pos.	Cod.ric. Part No.	Descrizione	Description	Note / Notes
339	0L1967	Tubo alimentazione	Feeding hose	From ser. nr.: 852 Up to Ser. nr.: 022
339	0L1887	Tubo alimentazione	Feeding hose	From Ser. nr.: 023
340	049201	Guarnizione; D 3/4	Gasket; diam 3/4	Up to Ser. Nr.: 851
340	0L1945	Guarnizione; D 3/4	Gasket; diam 3/4	From ser. nr.: 852
349	049650	Parzializzatore; 10L/min	Flow reducer	Up to Ser. Nr.: 102
349	0L0170	Parzializzatore; 5.5L/min	Flow reducer	From Ser. Nr.: 103
350	0L2038	Raccordo 3/4" - 3/4" G	Connection 3/4" - 3/4" G	From Ser. Nr.: 019
351	068121	Ass.filtro 3/4 G	Filter	
352	072457	Nipplo ottone 3/4" - 3/4"	Brass nipple 3/4" - 3/4"	
362	049201	Guarnizione; D 3/4	Gasket; diam 3/4	
371	0L2071	Assieme tappo	Plug assembly	
372	0L0495	Chiocciola	Shell	Up to ser. nr.: 607
373	0L0492	Girante	Impeller	Up to ser. nr.: 607
374	0L0489	Tenuta	Shaftsealing	Up to ser. nr.: 607
375	0L0497	Flangia	Flange	Up to ser. nr.: 607
383	0L0477	Portagomma	Fitting	
384	0L0423	Elettrovalvola	Electric valve	a,c,e,g,i,m - Up to ser.: 429
384	0L0488	Elettrovalvola	Electric valve	b,d,f,h,l,n - Up to ser.: 429
384	0L0569	Elettrovalvola	Electric valve	From ser. nr.: 430 Up to Ser. Nr.: 213
384	0L2656	Elettrovalvola	Electric valve	From ser. nr.: 214
385	0L0479	Nipplo ottone 3/4"- 3/8"	Brass nipple 3/4" - 3/8"	
		<b>Pagina 6: Circuito idraulico</b>	<b>Page 6: Hydraulic circuit</b>	<b>ill. 641805p6_WS (only for: o,p)</b>
500	0L1691	Guarnizione boccia sale	Salt container gasket	From Ser. Nr.: 810
501	0L0697	Pompa perist. Brillantante	Pump; rinse aid	
502	049905	Tubo detergente (bianco)	Detergent pipe (white)	
503	0L0704	Pompa perist. Detergente	Pump; detergent	
504	0L1694	Boccia Sale + Elettrovalvola	Salt container + Solenoid valve	Up to Ser. Nr.: 809
504	0L1692	Boccia Sale + Elettrovalvola	Salt container + Solenoid valve	From Ser. Nr.: 810
505	0L1693	Ghiera boccia sale	Salt container nut	From Ser. Nr.: 810
506	0L0272	Tappo boccia sale	Salt container plug	
507	0L0749	Tappo contenitore brillantante	Rinse aid container plug	Up to Ser. Nr.: 809
508	0L1376	Boiler	Boiler	Up to Ser. Nr.: 851
508	0L1957	Boiler	Boiler	From Ser. Nr.: 852
509	0L0420	Isolante per boiler	Insulation; for boiler	
510	048222	Fascetta 210-230/12	Hose clamp 210-230/12	
511	0L1098	Pompa risciacquo 208/240V	Rinse pump 208/240V	60Hz
513	049287	Tubo scarico	Drain hose	
514	049599	Tubo	Hose	
515	0L0481	Tubo brillantante (blu)	Rinse aid pipe (blue)	
516	048531	Tubo 12x19.5	Hose 12x19.5	

LAVASTOVIGLIE CAPPOTTINA WT65H / WT65M HOOD TYPE DISHWASHER WT65H / WT65M				Grassetto = variazioni Bold Print = changes
Pos.	Cod.ric. Part No.	Descrizione	Description	Note / Notes
517	049379	Tubo 11.5x19.5 WRC	Hose 11.5x19.5 WRC	
518	049287	Tubo 25.5x32	Hose 25.5x32	
519	072393	Tubo 4x7.4	Hose 4x7.4	
520	0L0786	Tubo 8x12	Hose 8x12	
522	046878	Fascetta a vite 35 -50	Hose clamp 35-50	
524	048126	Fascetta a vite 13 -20	Hose clamp 13-20	
525	0L0750	Guarnizione boccia sale	Salt container gasket	Up to Ser. Nr.: 809
526	049260	Condensatore per pompa risc.	Rinse pump capacitor	6,3 µF
527	047578	Fascetta 26-38	Hose clamp 26-38	
529	0L0367	Fascetta D=33	Hose clamp D=33	
531	049888	Fascetta	Hose clamp	
533	046799	O Ring	O Ring	
534	049436	Dado; M20x1,5	Nut; M20x1,5	
543	0L0764	Assieme addolcitore	Water softener assembly	
544	0L0767	Scheda elettronica addolcitore	Water softener board	
545a	0L0765	Elettrovalvola addolcitore	Water softener solenoid valve	
545b	0L0766	Elettrovalvola addolcitore	Water softener solenoid valve	
546	0L1369	Sensore reed addolcitore	Water softener reed sensor	
548	049801	Iniettore detergente	Detergent injector	
549	0L0169	Parzializzatore; 5L/min	Flow reducer; 5L/min	
552	072457	Nipplo ottone 3/4" - 3/4"	Brass nipple 3/4" - 3/4"	
554	049201	Guarnizione; D 3/4	Gasket; diam 3/4	Up to Ser. Nr.: 851
554	0L1945	Guarnizione; D 3/4	Gasket; diam 3/4	From ser. nr.: 852
555	0L0733	Tubo alimentazione	Feeding hose	Up to Ser. Nr.: 851
555	0L1927	Tubo alimentazione	Feeding hose	From Ser. Nr.: 852
556	0L0814	Fascetta D=18	Hose clamp D=18	
557	0L0769	Fascetta D=14	Hose clamp D=14	
558	0L0770	Fascetta D=8.8-9.3	Hose clamp D=8.8-9.3	
559	0L0815	Fascetta D=7.8-8.3	Hose clamp D=7.8-8.3	
560	0L1106	Fascetta D=14.4-15.1	Hose clamp D=14.4-15.1	
562	0L0771	Fascetta D=11	Hose clamp D=11	
563	0L1516	Tubo scarico addolcitore	Water softener drain hose	
566	0L0083	Fascetta D=9.3-9.9	Hose clamp D=9.3-9.9	
567	0L0082	Fascetta D=7.3-7.8	Hose clamp D=7.3-7.8	
571	0L2071	Assieme tappo	Plug assembly	
572	049419	Tubo; interno, pompa detergente	Hose; internal, detergent pump	
573	049418	Tubo; interno, pompa brillantante	Hose;internal, rinse aid pump	
574	0L0478	Connessione	Connection	
578	068121	Assieme filtro 3/4 G	Filter assembly 3/4 G	
579	049201	Guarnizione D 3/4	Gasket	
580	0L0262	Riduzione M.3/4" - F.1/2"	Adapter M.3/4" - F.1/2"	
581	0L0263	Manicotto F.3/4"	Coupling F.3/4"	
582	0L0264	Doppia valvola di non ritorno	Double check valve	
583	0L0752	Guarnizione D=27x40	Gasket D=27x40	
584	0L0903	Dado fissaggio addolcitore	Water softener fixing nut	

LAVASTOVIGLIE CAPPOTTINA WT65H / WT65M HOOD TYPE DISHWASHER WT65H / WT65M				Grassetto = variazioni Bold Print = changes
Pos.	Cod.ric. Part No.	Descrizione	Description	Note / Notes
585	0L0747	Coperchio	Cover	
586	0L0799	Raccordo addolcitore	Water softener fitting	
587	0L1107	Protezione anteriore	Front protection	
588	0L0477	Portagomma	Fitting	
589	0L0569	Elettrovalvola	Electric valve	Up to Ser. Nr.: 213
589	0L2656	Elettrovalvola	Electric valve	From ser. nr.: 214
590	0L0479	Nipplo ottone 3/4" - 3/8"	Brass nipple 3/4" - 3/8"	
591	048853	Nasello per vasca	Spigot; air relief	
592	049268	Dado Es. M 14x1.5	Nut; M14x1.5	
593	068642	OR 3062; 2.62x15.54	O Ring	
594	046946	Fasc. Torro W2 8-12/7.5 IVP	Hose clamp 8-12	
595	0L0495	Chiocciola	Shell	
596	0L0492	Girante	Impeller	
597	0L0489	Tenuta	Shaftsealing	
598	0L0497	Flangia	Flange	
		<b>Pagina 7: Componenti elettrici</b>	<b>Page 7: Electrical components</b>	<b>ill. 641005p4_usa</b>
406	0L0540	Trasform. 30VA 180/254V	Transform. 30VA 180/254V	g,h,i,l,m,n
427	0L0603	Elettromagnete	Electromagnet	g,h,i,l,m,n
428	0L0425	Resistenza vasca; 208V, 3KW	Tank heating element; 208V, 3 kW	a,c,e,g,i,m
428	0L0427	Resistenza vasca; 240V, 3KW	Tank heating element; 240V, 3 kW	b,d,f,h,l,n
429	0L0428	Resistenza sinistra; 208V, 6KW	Left heating element; 208V, 6 kW	a,c,e,g,i,m - Up to Ser. Nr.: 022
429	0L2769	Resistenza sinistra; 208V, 6KW	Left heating element; 208V, 6 kW	a,c,e,g,i,m - From Ser. Nr.: 023
429	0L0429	Resistenza sinistra; 240V, 6KW	Left heating element; 240V, 6 kW	b,d,f,h,l,n - Up to Ser. Nr.: 102
429	0L2459	Resistenza sinistra; 240V, 6KW	Left heating element; 240V, 6 kW	b,d,f,h,l,n - From Ser. Nr.: 103
430	048429	Squadretta	Bracket	
431	0L0484	Resistenza destra; 208V, 6KW	Right heating element; 208V, 6 kW	a,c,e,g,i,m - Up to Ser. Nr.: 022
431	0L2768	Resistenza destra; 208V, 6KW	Right heating element; 208V, 6 kW	a,c,e,g,i,m - From Ser. Nr.: 023
431	0L0485	Resistenza destra; 240V, 6KW	Right heating element; 240V, 6 kW	b,d,f,h,l,n - Up to Ser. Nr.: 102
431	0L2460	Resistenza destra; 240V, 6KW	Right heating element; 240V, 6 kW	b,d,f,h,l,n - From Ser. Nr.: 103
432	049620	Pressostato	Pressure switch	
433	0L2662	Protezione scheda	Board protection	From Ser. Nr.: 207
434	0L0111	Morsettiera Principale	Junction box	
435	0L0430	Contattore; 208-240 V, 60HZ, 32A	Contactor; 208-240 V, 60HZ, 32A	
436	049998	Interfaccia utente	User interface	Up to ser. nr.: 421
436	0L0548	Interfaccia utente	User interface	From ser. nr.: 422 Up to ser. nr.: 523

LAVASTOVIGLIE CAPPOTTINA WT65H / WT65M HOOD TYPE DISHWASHER WT65H / WT65M				Grassetto = variazioni Bold Print = changes
Pos.	Cod.ric. Part No.	Descrizione	Description	Note / Notes
436	0L0709	Interfaccia utente	User interface	From ser. nr.: 524 Up to Ser. nr.: 622
436	0L1240	Interfaccia utente	User interface	From ser. nr.: 623 Up to Ser. nr.: 742
436	0L1566	Interfaccia utente	User interface	From ser. nr.: 743 Up to Ser. Nr.: 022
436	0L1973	Interfaccia utente	User interface	From Ser. Nr.: 023
437	0L2583	Scheda madre	Main board	Not for "o,p"
437	0L2584	Scheda madre	Main board	o,p
438	046376	OR 2027	O-Ring 2027	
439	049643	Sonda di temperatura	Temperature probe	
440	0E5993	Fascetta elastica 7,8-8,3	Hose clamp 7,8-8,3	
441	0L0280	Premistoppa per termostato	Stuffing box	
442	0L2304	OR 56.52X5.33	O-Ring	
443	0L2303	OR 2037	O Ring	
444	0L0366	Supporto sensore temp.	Support; sensor	
445	049643	Sonda di temperatura vasca	Temperature probe	
446	002670	Prolunga pulsante	Extension	Up to Ser. Nr.: 742
447	0L1568	Copertura interfaccia utente	User interface cover	From Ser. Nr.: 743
490	0L0487	Cablaggio	Wiring harness	Not for: o,p
490	0L1398	Cablaggio	Wiring harness	o,p
490	0L0605	Cablaggio aggiuntivo	Additional wiring harness	g,h,i,l,m,n
490	0L1400	Cablaggio aggiuntivo	Additional wiring harness	o,p