

**ANALOGICAL CONTROLLED SINGLE - DUAL CHAMBER PIZZA ELECTRIC OVENS
FORNO PIZZA ELETTRICO MONOCAMERA-BICAMERA CONTROLLO ANALOGICO**

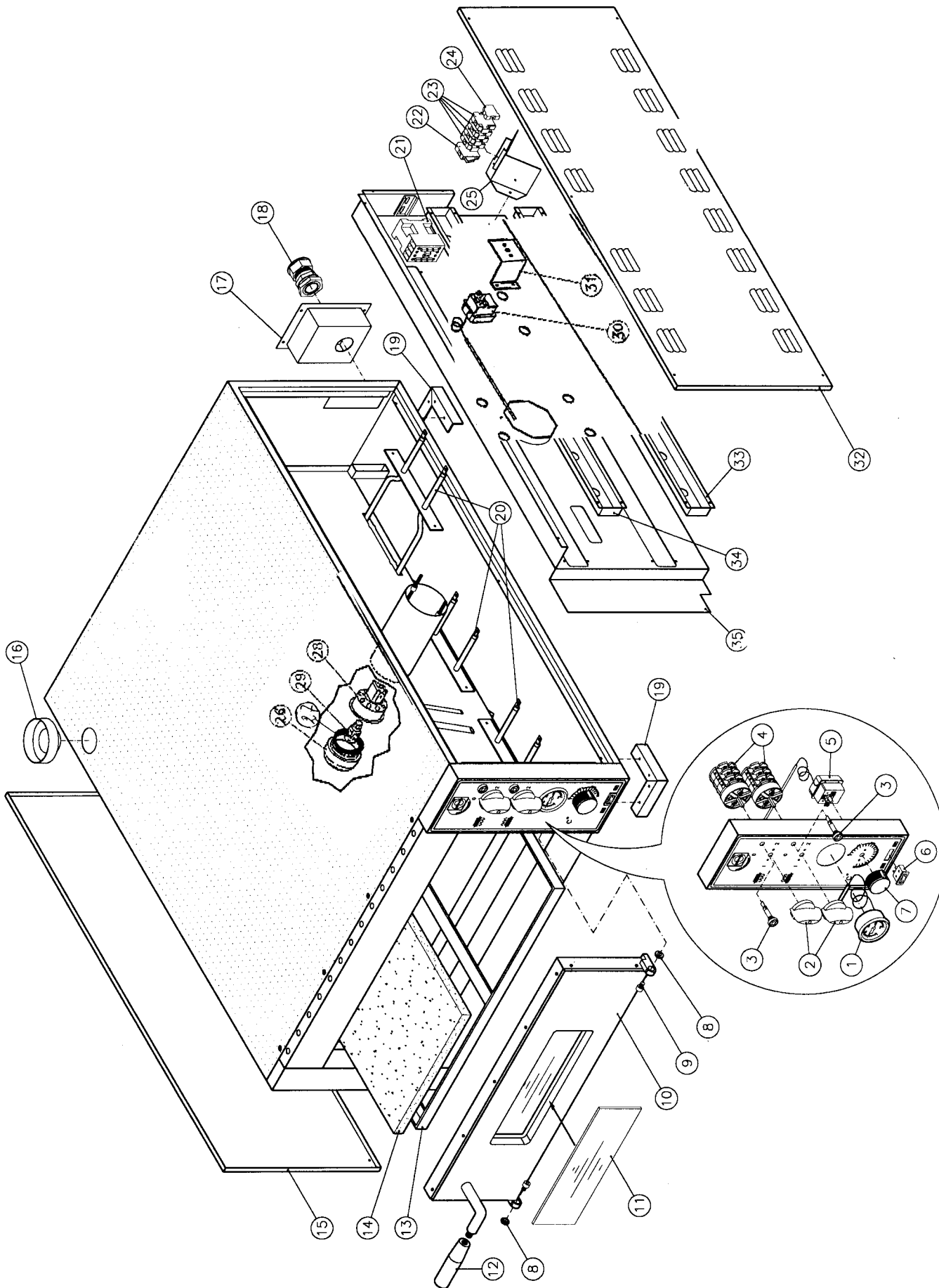
| PNC | Model | Ref | Page | Note |
|------------|--------------|------------|-------------|-------------|
| 291 378 | ZCMME4 | a | | |
| 291 358 | ZCMME6 | b | | |
| 291 398 | ZCMME9 | c | | |
| 291 379 | ZCBME8 | d | | |
| 291359 | ZCBME12 | e | | |
| 291399 | ZCBME18 | f | | |

| | Index |
|--------|------------------|
| Pag. 1 | Main view |
| 2 | Spare parts list |

| | Indice |
|--|-------------------------|
| | Vista generale |
| | Lista parti di ricambio |

Brand / Marchio :
Factory code: CUP

OS/DOC



**ANALOGICAL CONTROLLED SINGLE - DUAL CHAMBER PIZZA ELECTRIC OVENS
FORNO PIZZA ELETTRICO MONOCAMERA-BICAMERA CONTROLLO ANALOGICO**

| | | | | | | |
|-------------|----------|----------|----------|----------|----------|----------|
| PNC | 291 378 | 291 358 | 291 398 | 291 379 | 291359 | 291399 |
| Mod. | ZCMME4 | ZCMME6 | ZCMME9 | ZCBME8 | ZCBME12 | ZCBME18 |
| Ref. | a | b | c | d | e | f |

| Pos. | Code | Qty. | Art. | Descrizione | Description | Ref./Note |
|------|--------|-------|----------|-------------------------------|--------------------------------|--------------|
| 1 | 004162 | 1 | 00058000 | Termometro | Thermometer | |
| 2 | 004147 | 2 | 00055006 | Manopola commutatore | Selector knob | |
| 3 | 004157 | 2 | 00057121 | Lampada spia 380V | 380V Signal lamp | |
| 4 | 004156 | 2 | 00057110 | Commutatore | Selector switch | A016 |
| 5 | 004155 | 1 | 00057100 | Termostato | Thermostat | 0...500°C |
| 6 | 004158 | 1 | 00057131 | Interruttore bipolare | Bipolar switch | 16A |
| 7 | 004146 | 1 | 00055000 | Manopola termostato | Thermostat knob | |
| 11 | 004135 | 1 | 00061000 | Vetro sportello | Glass door | 320x100 |
| 12 | 004148 | 1 | 00055010 | Maniglia porta | Handle knob | |
| 13 | 004142 | 1 | 00072150 | Telaio supporto refrattario | refractory support structure | ad(610x610) |
| 13 | 004143 | 1 | 00072151 | Telaio supporto refrattario | refractory support structure | be(610x910) |
| 13 | 004144 | 1 | 00072152 | Telaio supporto refrattario | refractory support structure | cf(910x910) |
| 14 | 004138 | 4/6/9 | 00061011 | Mattonella refrattaria | Refractory brick | (300x300x30) |
| 20 | 004149 | 3 | 00057000 | Resistenza suola, 230V-600W | Bottom heating el., 230V-600W | ad |
| 20 | 004150 | 3 | 00057001 | Resistenza cielo. ,230V-800W | Upper heating el., 230V-800W | ad |
| 20 | 004151 | 3 | 00057002 | Resistenza suola, 230V-1000W | Bottom heating el., 230V-1000W | be |
| 20 | 004152 | 3 | 00057003 | Resistenza cielo. ,230V-1400W | Upper heating el., 230V-1400W | be |
| 20 | 004153 | 3 | 00057004 | Resistenza suola, 230V-1500W | Bottom heating el., 230V-1500W | cf |
| 20 | 004154 | 3 | 00057005 | Resistenza cielo. ,230V-2000W | Upper heating el., 230V-2000W | cf |
| 21 | 004159 | 1 | 00057141 | Contattore | Contacteur | MC9.10.230 |
| 22* | 004114 | 1 | 00057162 | Morsetto di terra | Ground contact clamp | |
| 23* | 004113 | 4 | 00057160 | Morsetto di linea | Power contact clamp | |
| 24* | 004115 | 1 | 00057164 | Blocca morsetti | Fixing clamp | |
| 26 | 004163 | 1 | 00061004 | Vetro protezione lampada | Bulb protection glass | |
| 27 | | 1 | 00062080 | Guarnizione portampada | Gasket, l.b. holder | |
| 28 | 004160 | 1 | 00057152 | Portampada | Light bulb holder | |
| 29 | 004161 | 1 | 00057153 | Lampada | Light bulb | 230V 25W |
| 30 | 004205 | 1 | 00057104 | Termostato di sicurezza | Safety thermostat | set 500°C |

Note: "Qty." number are referred to one single chamber unit, it has to be doubled for dual chamber unit with exception of "Pos." number identified with *.

Note: Il numero "Qty." si riferisce all'unità monocamera, per unità bicamera va raddoppiato eccetto i riferimenti marcati con *.