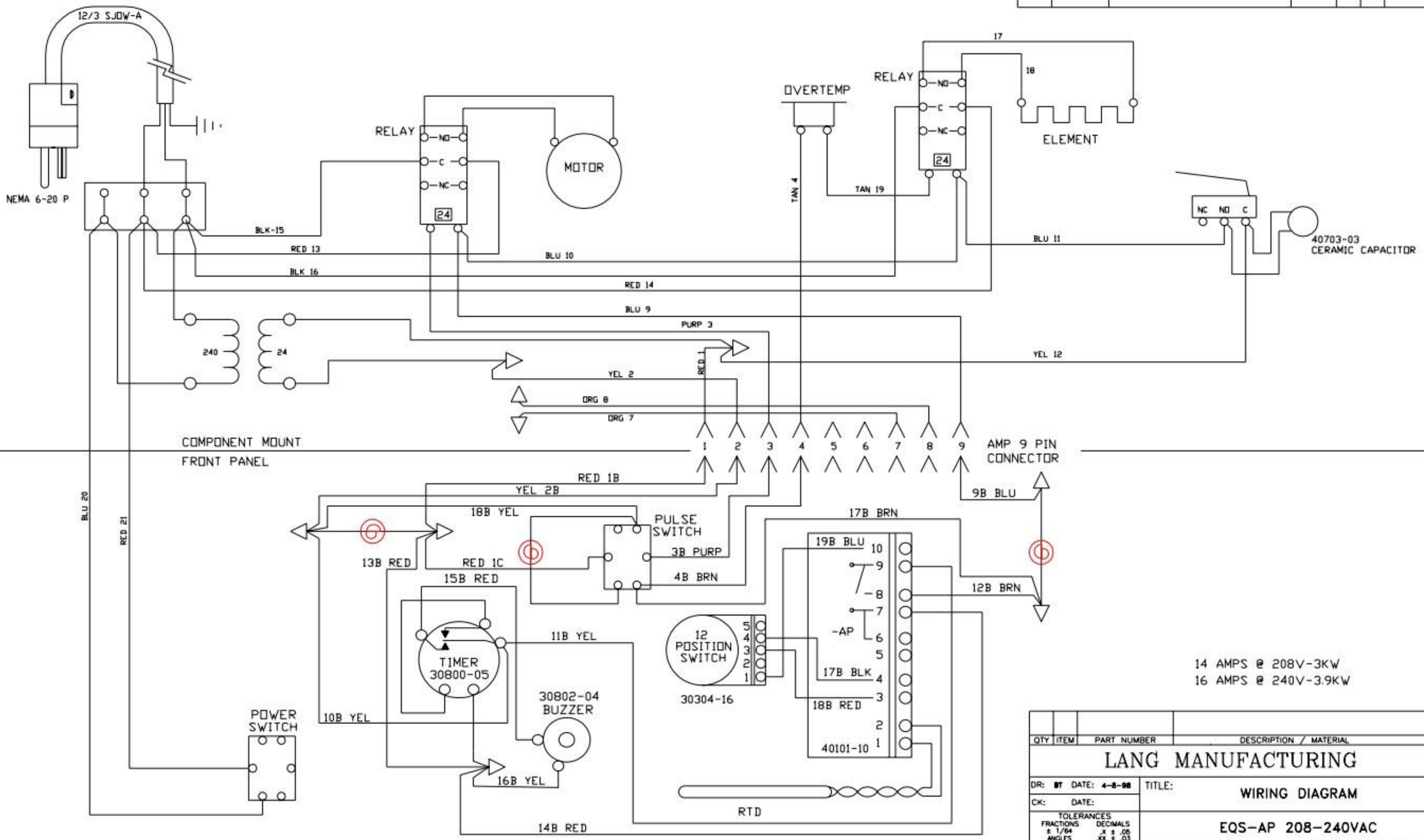


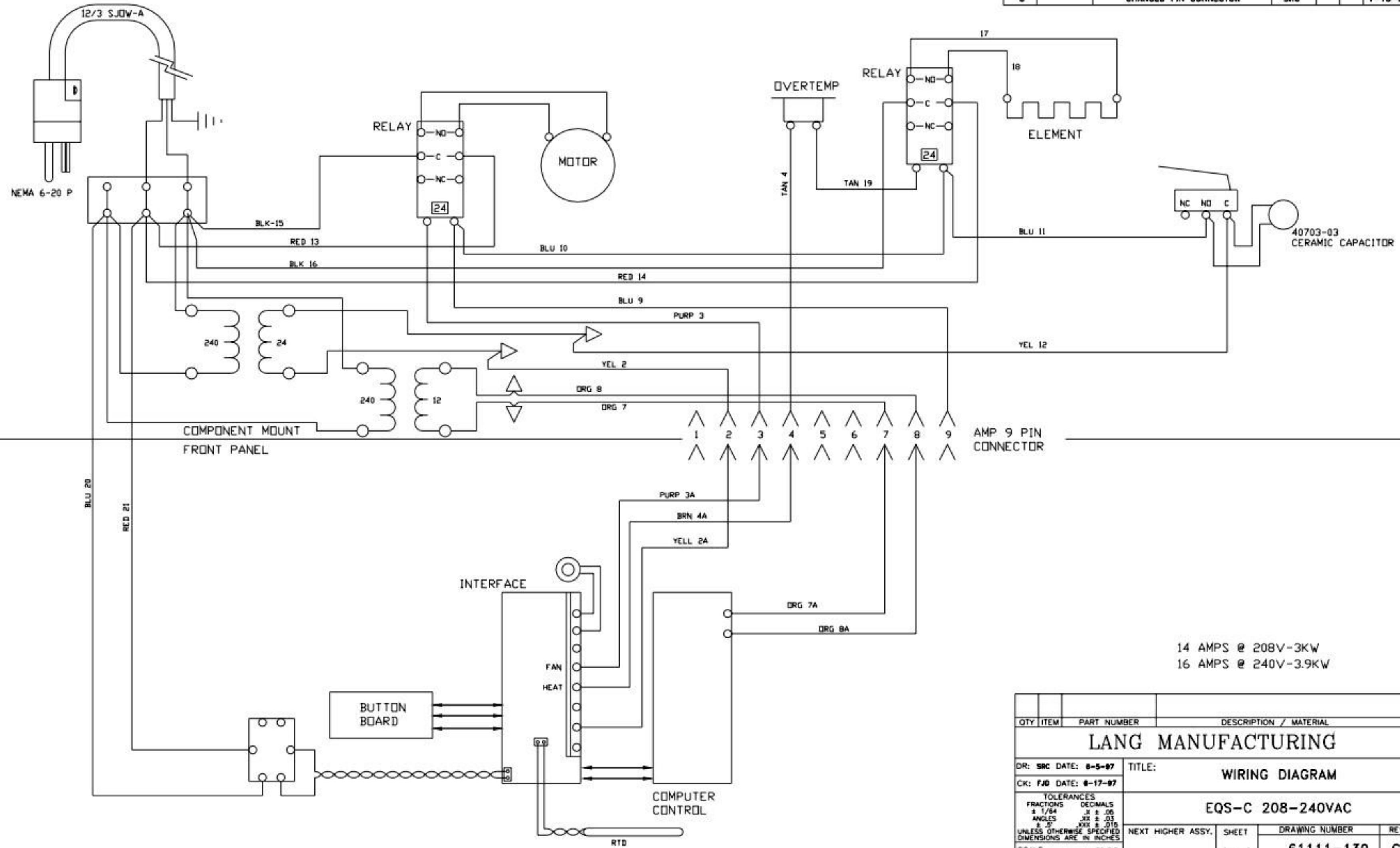
REVISION BLOCK						
REV	ECN NO.	DESCRIPTION	DR:	MFG	ENG	DATE



14 AMPS @ 208V-3KW
 16 AMPS @ 240V-3.9KW

QTY	ITEM	PART NUMBER	DESCRIPTION / MATERIAL
LANG MANUFACTURING			
DR: BT	DATE: 4-8-98	TITLE: WIRING DIAGRAM	
CK:	DATE:	EQS-AP 208-240VAC	
TOLERANCES FRACTIONS DECIMALS ± 1/64 ± .005 ANGLES ± .03 ± .0° ± .015 UNLESS OTHERWISE SPECIFIED DIMENSIONS ARE IN INCHES		NEXT HIGHER ASSY.	SHEET
SCALE: TO FIT	1 OF 1	DRAWING NUMBER	REV
		61111-140	

REVISION BLOCK						
REV	ECN NO.	DESCRIPTION	DR:	MFG	ENG	DATE
C		CHANGED PIN CONNECTOR	SRC			1-15-98



14 AMPS @ 208V-3KW
16 AMPS @ 240V-3.9KW

QTY	ITEM	PART NUMBER	DESCRIPTION / MATERIAL
LANG MANUFACTURING			
DR: SRC DATE: 8-5-97		TITLE: WIRING DIAGRAM	
CK: FJD DATE: 8-17-97		EQS-C 208-240VAC	
TOLERANCES FRACTIONS DECIMALS ± 1/64 .X ± .06 ANGLES .XX ± .03 ± .5° .XXX ± .015 UNLESS OTHERWISE SPECIFIED DIMENSIONS ARE IN INCHES		NEXT HIGHER ASSY.	SHEET
SCALE: TO FIT		1 OF 1	DRAWING NUMBER
		61111-139	REV
			C