
NO. U2MC-1564

ISSUED: APR. 13, 1994

FINAL: DEC. 2, 2003



**HOSHIZAKI
SELF-CONTAINED FLAKER**

MODEL F-250BAE

PARTS LIST

D-1 MAY 1994
D-2 JUN. 1994
E-0 JAN. 1995
E-1 APR. 1995
F-0 DEC. 1995
G-0 DEC. 1996
H-0 DEC. 1997
H-1 FEB. 1998

FINAL

MATERIAL ABBREVIATIONS

PLASTIC

ABS	=	Acrylonitrile-butadien-styrene
AC	=	Polyacetal
EVA	=	Ethylene vinyl acetate
PA	=	Polyamide = Nylon
PC	=	Polycarbonate
PE	=	Polyethylene
PES	=	Polyester
PETP	=	Polyethylene terephthalate = Tetlon
PF	=	Phenol-formaldehyde
PP	=	Polypropyleneoride
PS	=	Polystyrene
PTFE	=	Polytetrafluoroethylene = Teflon
PUR	=	Polyurethane
PVC	=	Polyvinyl chloride

RUBBER

EPDM	=	EP rubber
NBR	=	Nitrile butadiene rubber
NR	=	Natural rubber
SI.R	=	Silicone rubber
SY.R	=	Synthetic rubber

STEEL

G.S	=	Galvanized steel
S.S	=	Stainless steel

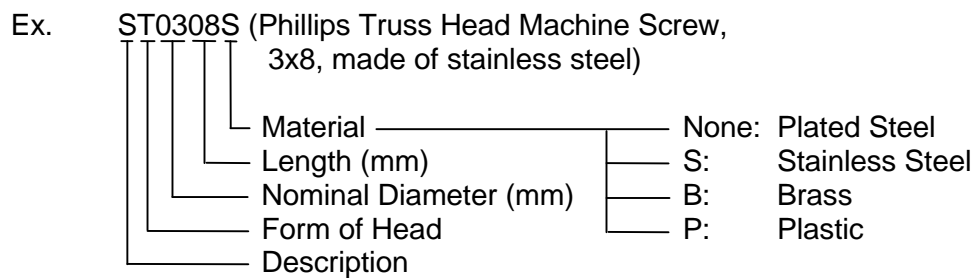
AUXILIARY CODE

- Ex.1 K-0
 ├── Parts are the same as in the preceding year.
 └── "K" is the tenth in alphabetical order with "I" skipped.
 So, "K" indicates "2000".
- Ex.2 A-1
 ├── "A" is the first in alphabetical order.
 └── So, "A" indicates "2001".
- Ex.3 A-2
 └── Each time a part is changed in a year, this number advances.

(Note) – = Part deleted.
 X = Part deleted and replaced by "O" part.
 O = New part for "X" in the same auxiliary code.

FASTENER ABBREVIATION LIST

ST	Phillips Truss Head Machine Screw
SP	Phillips Pan Head Machine Screw
SF	Phillips Flat Head Machine Screw
SS	Phillips Pan Head Machine Screw with Split Lock Washer
SW	Phillips Pan Head Machine Screw with Split Lock Washer and Flat Washer
T1	Phillips Truss Head Tapping Screw (Correspond to Type A)
T2	Phillips Truss Head Tapping Screw (Correspond to Type B)
T3	Phillips Truss Head Tapping Screw (Correspond to Type C)
FT	Phillips Truss Head Tapping Screw (Special)
BH	Hexagon Head Bolt
BC	Socket Head Cap Screw
BS	Hexagon Bolt with Split Washer
BW	Hexagon Bolt with Split Washer and Flat Washer
BF	Hexagon Flange Bolt
BR	Cross-Recessed Hexagon Head Bolt
BRW	Cross-Recessed Hexagon Head Bolt with Split Lock Washer and Flat Washer
WL	Split Lock Washer
WT	External Tooth Washer
WF	Flat Washer
WS	Spring Washer
NH	Hexagon Nut
NF	Hexagon Flange Nut
NC	Hexagon Cap Nut
NS	Square Nut
NW	Wing Nut



(Note) Second character is numerical except the list.

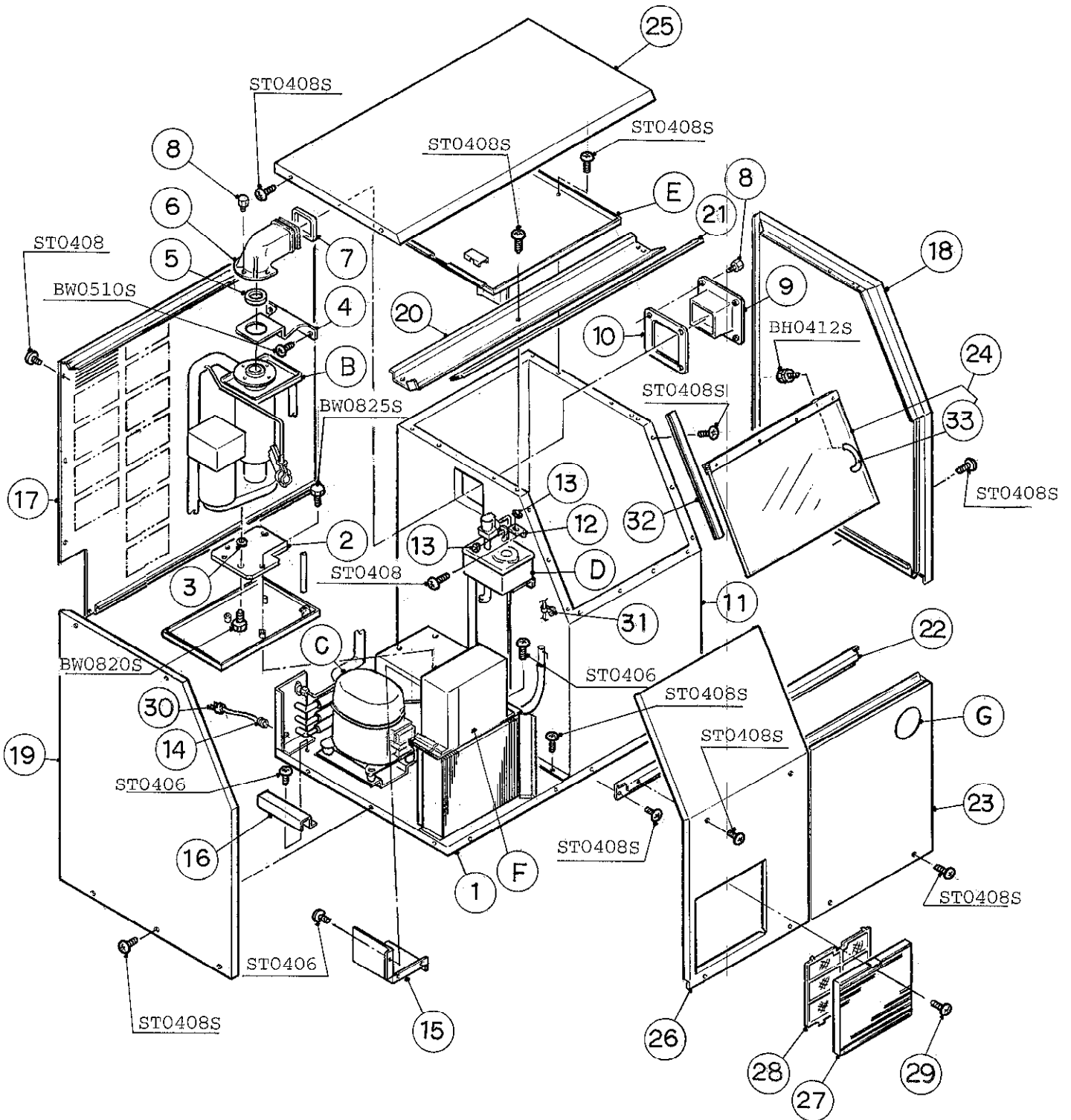
Ex. S1, S2, B3 etc.

And abbreviations and names are shown under the illustration.

HA
F-250BAE

A. ICE FLAKER ASSY

(H-0)(H-1)
(F-0)(G-0)
(E-0)(E-1)
(D-2)(D-1)



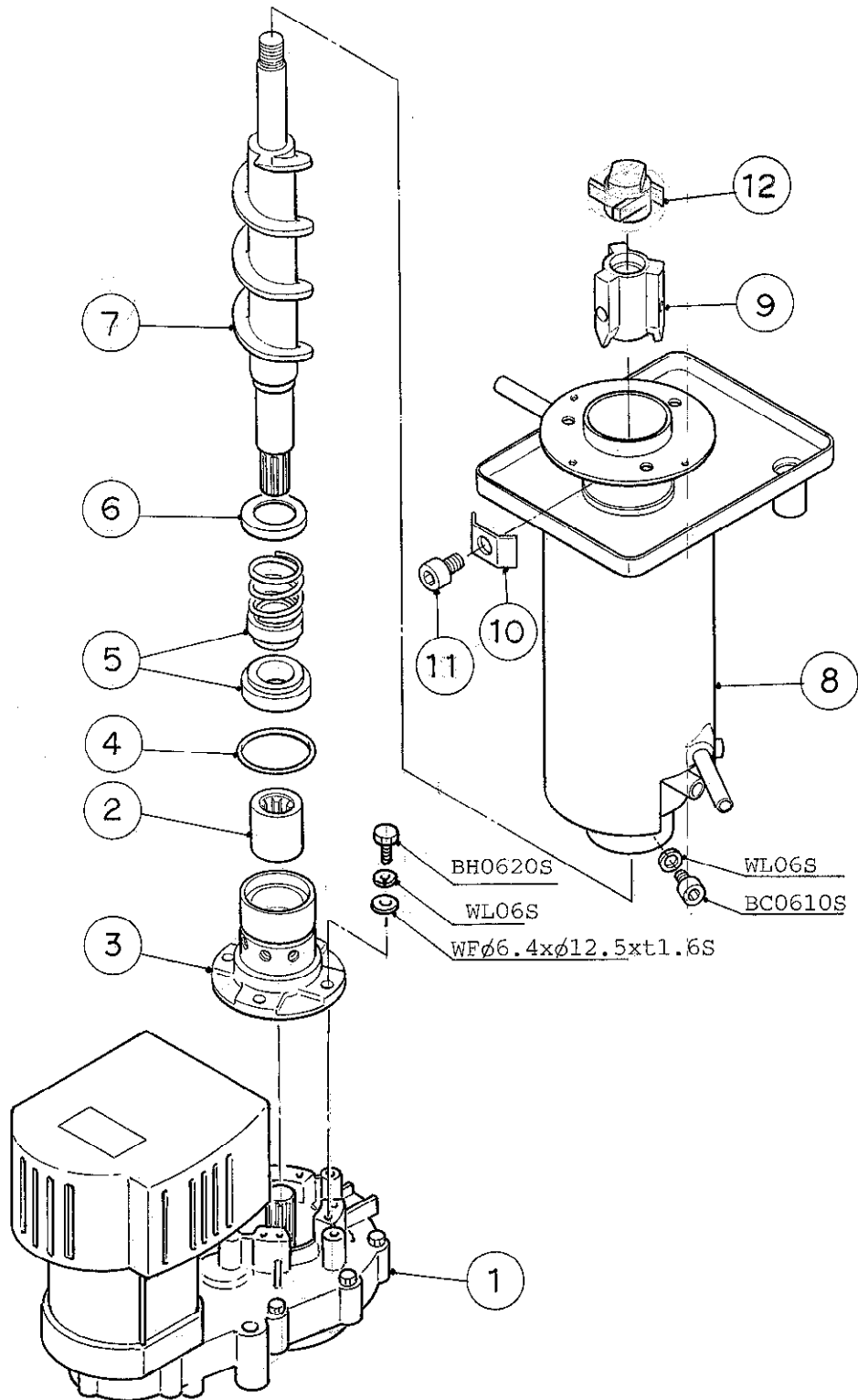
HA

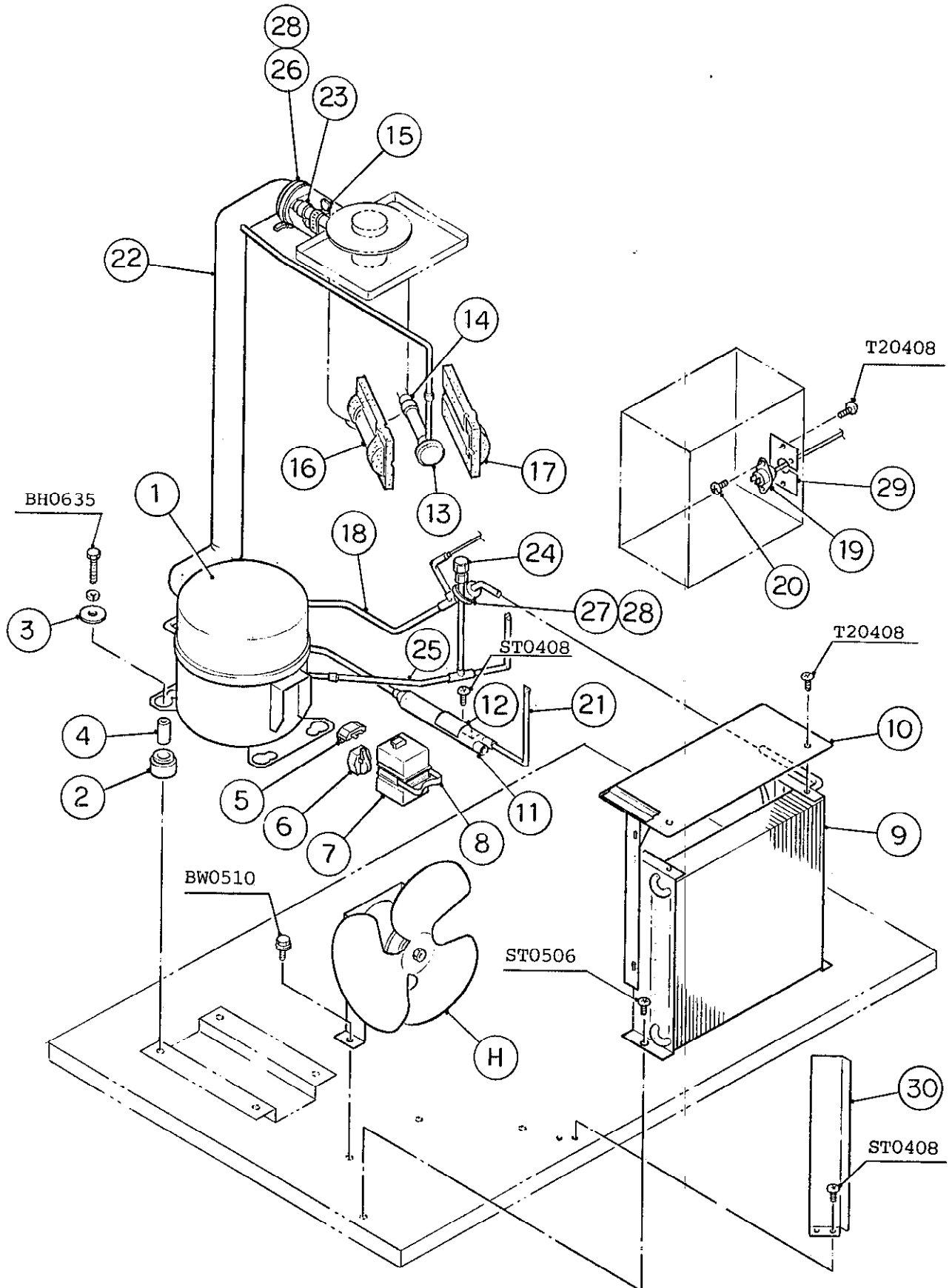
MODEL: F-250BAE TITLE: A. ICE FLAKER ASSY							
INDEX NO.	DESCRIPTION	MATERIAL OR MODEL NUMBER	PART NUMBER	REQ'D NUMBER			
				D-1	D-2 E-0	E-1 F-0 G-0 H-0	H-1
B	EVAPORATOR ASSY	-	320291A03	1	x 1		
		-	320291A04			o 1	1
C	REFRIGERATION UNIT	-	107029A01	1	1	1	1
D	WATER CIRCUIT	-	103324A03	1	1	1	1
E	COVER ASSY - BIN TOP	-	317056A01	1	1	1	1
F	CONTROL BOX ASSY	-	221365A01	1	1	1	1
G	LABEL LOCATION	-	221367A01	1	x 1		
		-	221367A02			o 1	1
1	CHASSIS	G.S	103322G02	1	1	1	1
2	BRACKET - GEAR MOTOR	S.S	427226-01	1	1	1	1
3	WASHER	PVC	425206-01	3	3	3	3
4	BRACKET - EVAPORATOR	S.S	317055-01	1	1	1	1
5	PACKING - CYLINDER	EPDM	427151-01	1	1	1	1
6	SPOUT	PC	208791-01	1	1	1	1
7	PACKING (A) - SPOUT	EPDM	427152-01	1	1	1	1
8	THUMBSCREW	S.S, ABS	415949G03	7	7	7	7
9	SPOUT (B)	ABS	208792-01	1	1	1	1
10	PACKING (B) - SPOUT	EPDM	427153-01	1	1	1	1
11	BIN - FOAMED	-	208793G01	1	1	1	1
12	BRACKET - FLOAT SWITCH LEADS	G.S	427165-01	1	1	1	1
13	BUSHING	SR-30-1	420472-03	2	2	2	2
14	BUSHING	SR-7K-2	420472-02	1	1	1	1
15	BARRIER	G.S	317060-01	1	1	1	1
16	BARRIER - LEADS	G.S	427166-01	1	1	1	1
17	REAR PANEL	G.S	208797-01	1	1	x 1	
		G.S	228251G01			o 1	1
18	SIDE PANEL (RIGHT)	S.S	208798G01	1	1	1	
19	SIDE PANEL (LEFT)	S.S	208799G03	1	1	1	
20	FRAME	S.S	317061-03	1	1	1	
21	EDGING	CE-010-S	425931-04	1	1	1	
22	BRACKET - FRONT PANEL	S.S	317062-01	1	1	1	

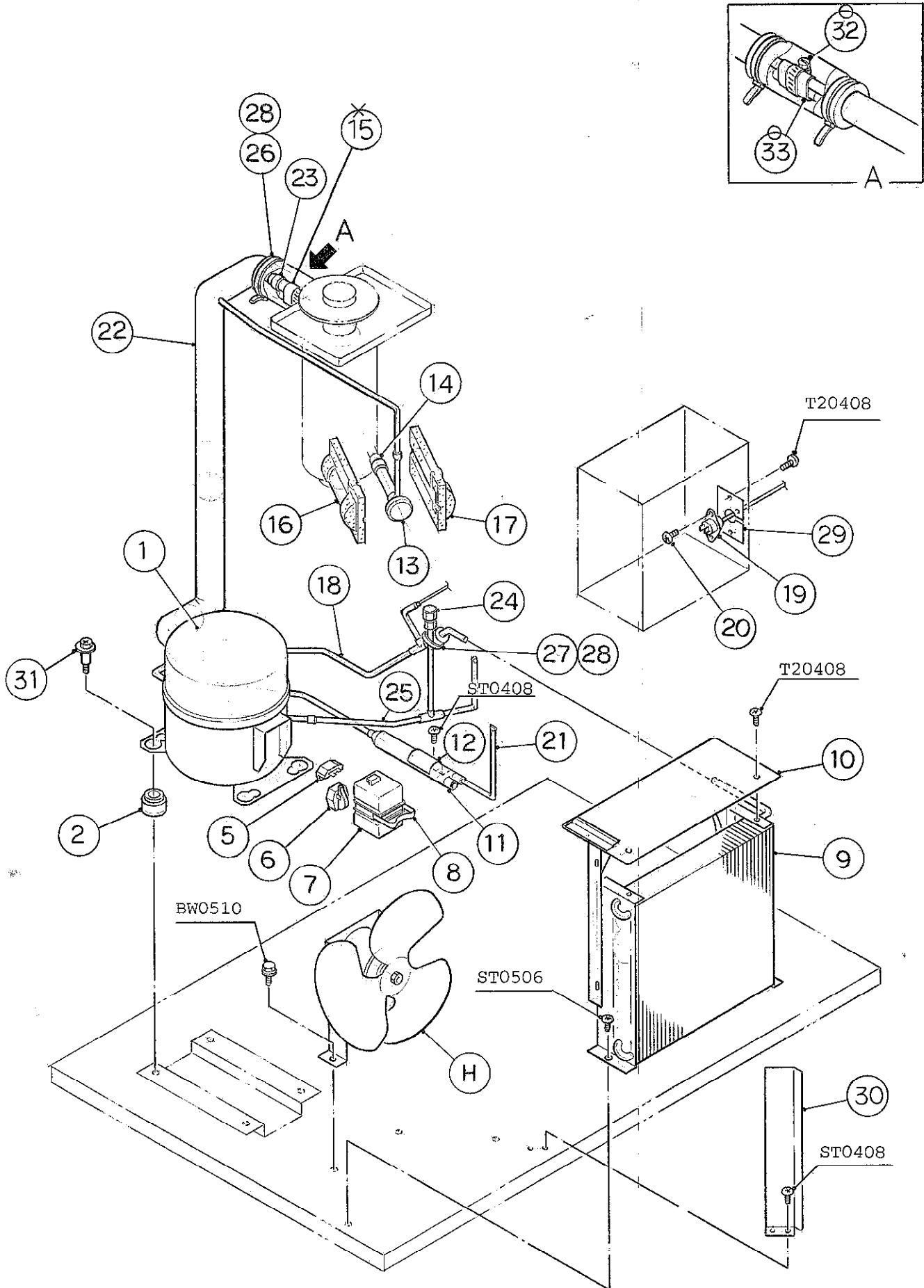
HA
F-250BAE

B. EVAPORATOR ASSY

(H-0)(H-1)
(F-0)(G-0)
(E-0)(E-1)
(D-2)(D-1)

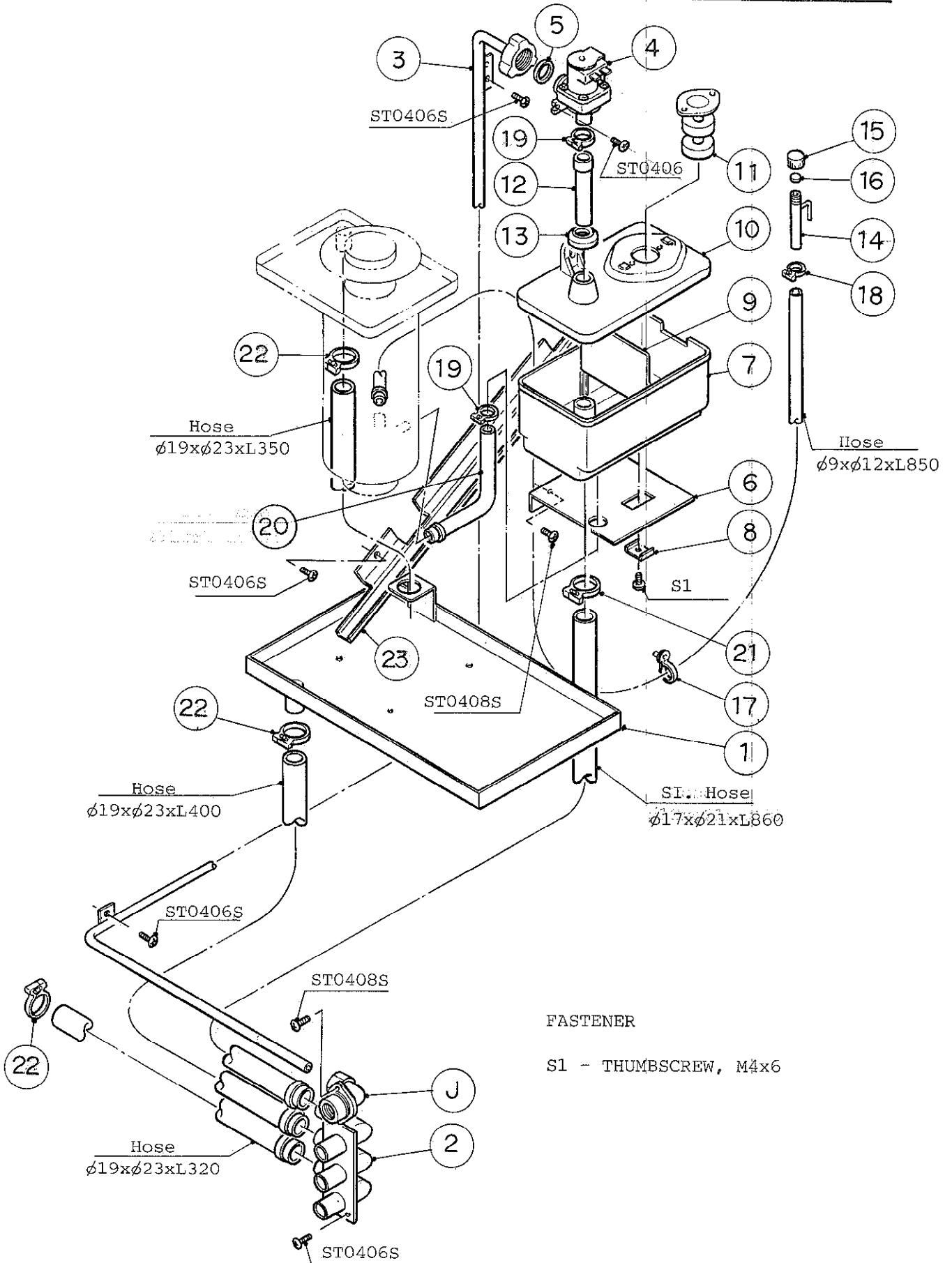






HA

MODEL: F-250BAE		TITLE: C. REFRIGERATION UNIT					
INDEX NO.	DESCRIPTION	MATERIAL OR MODEL NUMBER	PART NUMBER	REQ'D NUMBER			
				D-1	D-2 E-0	E-1 F-0 G-0 H-0	H-1
H	FAN MOTOR ASSY	(S-0375)	313392A01	1	1	1	1
1	COMPRESSOR	CE110Y-1ZU	446132-02	1	1	1	1
2	CUSHION	CR-Y2	443695-01	4	4	4	4
3	WASHER CUSHION	CW	432248-01	4	x 4		
4	BUSHING	BC	432249-01	4	x 4		
5	OVERLOAD	4TM777SFBZZ-62	447087-01	1	1	1	1
6	CONNECTOR	-	435923-01	1	1	1	1
7	TERMINAL COVER	-	434797-01	1	1	1	1
8	COVER BAND	S.S	434798-01	1	1	1	1
9	CONDENSER - AIR-COOLED	-	203942-01	1	1	1	1
10	SHROUD	G.S	208790G01	1	1	1	1
11	DRIER	KC-7860	444395-01	1	1	1	1
12	STRAP	G.S	419349-01	1	1	1	1
13	EXPANSION VALVE	HFE-5QHD-1	446808-01	1	1	1	1
14	REDUCER	COPPER	421904-01	1	1	1	1
15	CLAMP	D11-SS	435254-03	2	2	x 2	
16	COVER (C) - EXPANSION VALVE	PE FOAM	324313-03	1	1	1	1
17	COVER (D) - EXPANSION VALVE	PE FOAM	324313-04	1	1	1	1
18	COPPER TUBE (A) - HIGH SIDE	COPPER	333450G01	1	1	1	1
19	PRESSURE SWITCH	PS-7	3U0069-03	1	1	1	1
20	TAPPING SCREW	3x8	431415-01	2	2	2	2
21	PROCESS TUBE (B)	COPPER	428058-02	1	1	1	1
22	COPPER TUBE (B)	COPPER	221464G01	1	1	1	1
23	REDUCER	COPPER	421904-17	1	1	1	1
24	ACCESS VALVE	COPPER	446715-01	1	1	1	1
25	COPPER TUBE (C)	COPPER	447138G01	1	1	1	1
26	INSULATION TUBE	7762-2949, L=130	107029-33	1	1	1	1
27	INSULATION TUBE	7762-0717, L=30	107029-34	1	1	1	1
28	TIE	CV-150	7920-0003	6	6	6	6



FASTENER

S1 - THUMBSCREW, M4x6

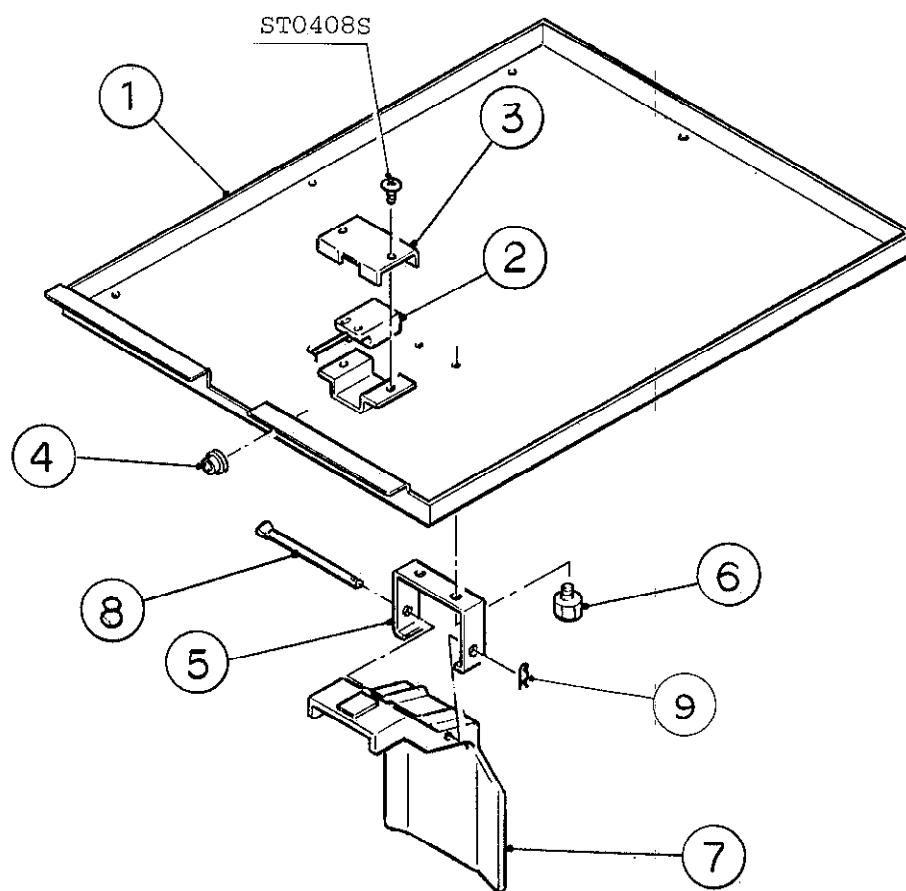
HA

MODEL: F-250BAE TITLE: D. WATER CIRCUIT ASSY							
INDEX NO.	DESCRIPTION	MATERIAL OR MODEL NUMBER	PART NUMBER	REQ'D NUMBER			
				D-1	D-2 E-0	E-1 F-0 G-0 H-0	H-1
J	FITTING (M) ASSY	(S-0333)	310980A01	1	1	1	1
1	DRIP PIN	S.S	317053G01	1	1	1	1
2	PIPE - DRAIN	S.S	427144G02	1	1	1	1
3	PIPE - WATER SUPPLY	S.S	317054G03	1	1	1	1
4	WATER VALVE	J246-086	3U0065-01	1	1	1	1
5	PACKING	NBR	413854-03	1	1	1	1
6	BRACKET - RESERVOIR	G.S	428697-01	1	1	1	1
7	RESERVOIR	ABS	207527-01	1	1	1	1
8	COLLAR	S.S	423416-01	1	1	1	1
9	SEPARATOR - RESERVOIR	ABS	423538-01	1	1	1	1
10	COVER - RESERVOIR	ABS	103070-01	1	1	1	1
11	FLOAT SWITCH	TW-1221-101	435490-01	1	1	1	1
12	HOSE - WATER SUPPLY	EVA	425289-04	1	1	1	1
13	COVER - RESERVOIR INLET	SI. R	415094-01	1	1	1	1
14	PIPE - DRAIN	S.S	425292G01	1	1	1	1
15	CAP - DRAIN	BRASS	425293-01	1	1	1	1
16	PACKING - DRAIN	SY.R	425294-01	1	1	1	1
17	CLAMP	NAD-09	418074-05	1	1	1	1
18	CLAMP	MH-30N	421642-04	2	2	2	2
19	CLAMP	SK-17	435934-05	3	3	3	3
20	HOSE	EPDM	437256-06	1	1	1	1
21	CLAMP	MH-50N	421642-08	1	1	1	1
22	CLAMP	MH-56N	421642-09	6	6	6	6
23	GUTTER	S.S	427150-01	1	1	1	1

HA
F-250BAE

E. COVER ASSY - BIN TOP

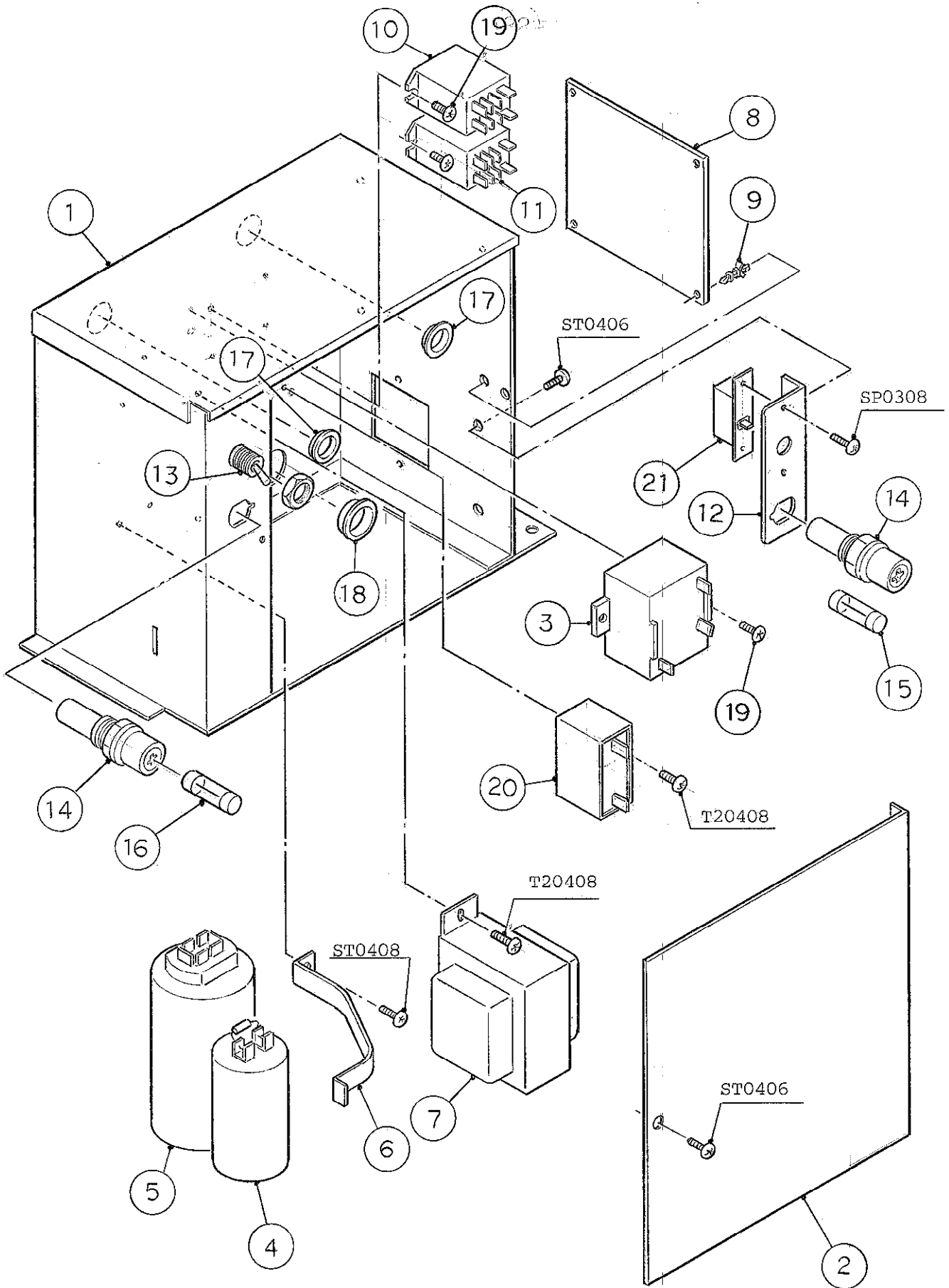
(H-0)(H-1)
(F-0)(G-0)
(E-0)(E-1)
(D-2)(D-1)



HA
F-250BAE

F. CONTROL BOX ASSY

(H-0)(H-1)
(F-0)(G-0)
(E-0)(E-1)
(D-2)(D-1)



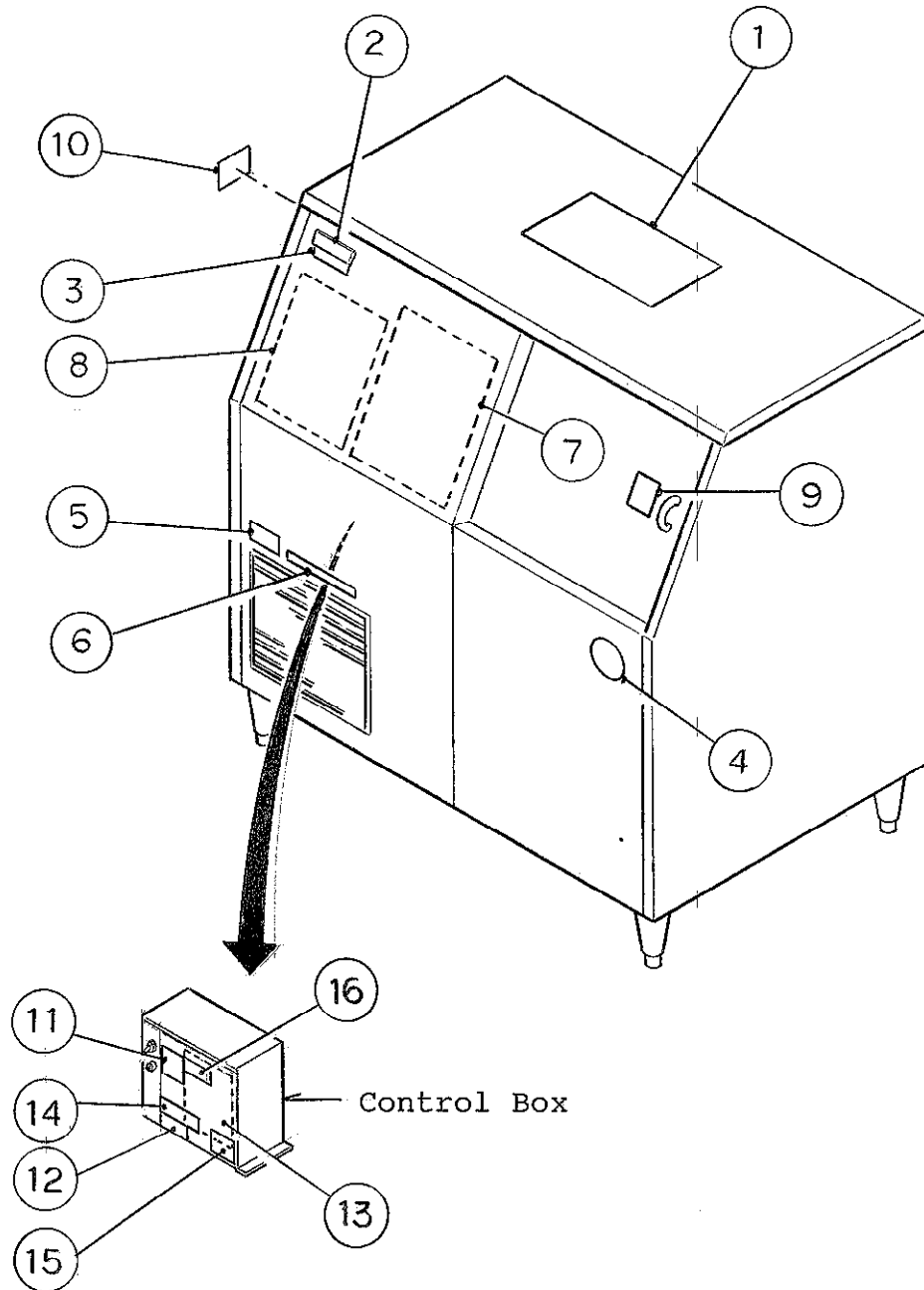
HA

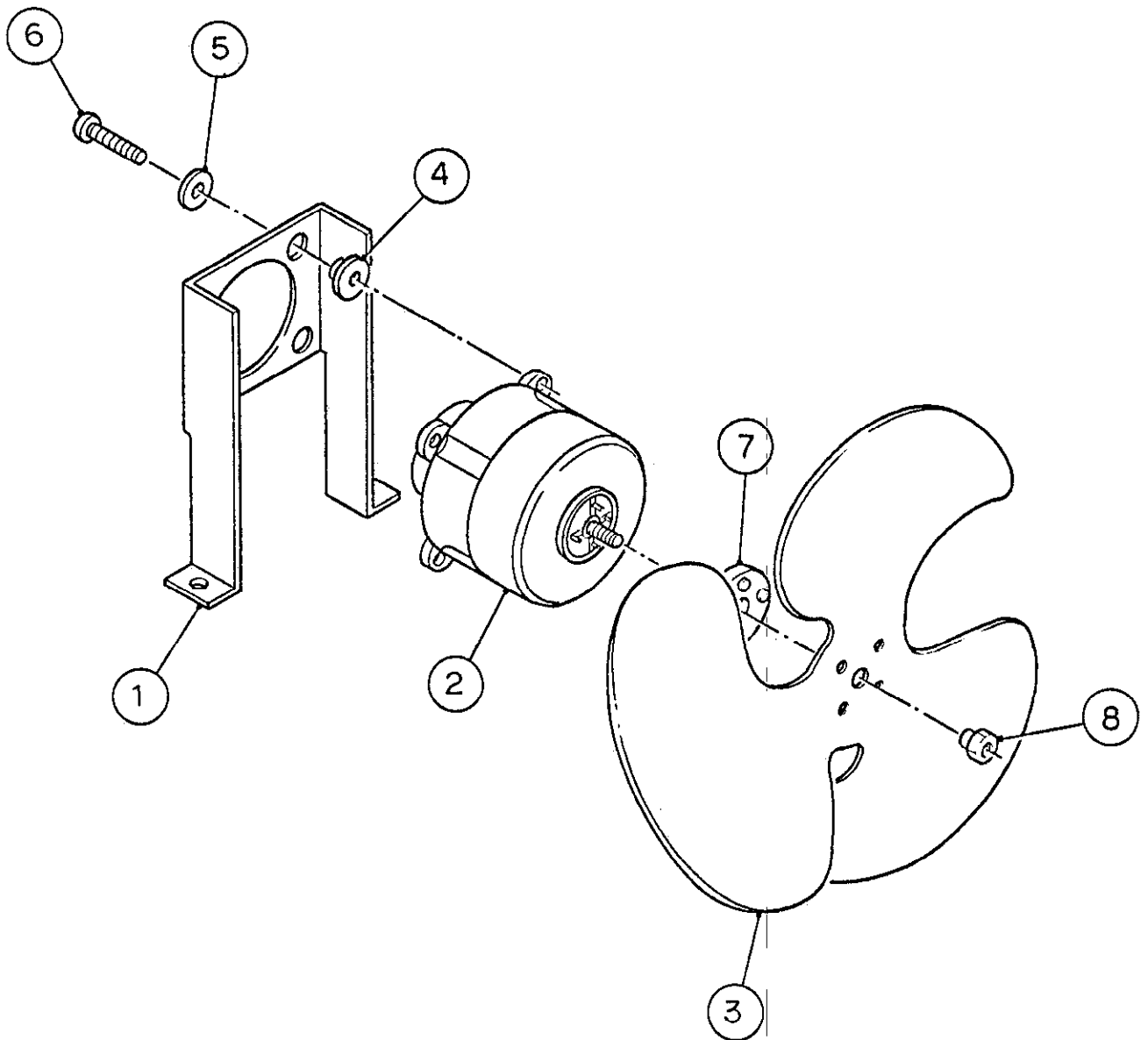
MODEL: F-250BAE TITLE: F. CONTROL BOX ASSY							
INDEX NO.	DESCRIPTION	MATERIAL OR MODEL NUMBER	PART NUMBER	REQ'D NUMBER			
				D-1	D-2 E-0	E-1 F-0 G-0 H-0	H-1
1	CONTROL BOX	G.S	317059G03	1	1	1	1
2	COVER - CONTROL BOX	G.S	427162-02	1	1	1	1
3	STARTER	AMVL-170TA	443047-01	1	1	1	1
4	START CAPACITOR	150uF, 180VAC	446803-01	1	1	1	1
5	RUN CAPACITOR	20uF, 220V	447088-01	1	1	1	1
6	STRAP	G.S	434174-06	1	1	1	1
7	TRANSFORMER	TR5267, 120/24V 1A	2U0042-01	1	1	1	1
8	TIMER BOARD	H2AA144C02	437305-02	1	1	1	1
9	BOARD SUPPORT	KGLS-6S	414929-01	4	4	4	4
10	RELAY	LY1F, AC120V	418271-03	1	1	1	1
11	RELAY	LY2ZF, AC24V	406132-06	1	1	1	1
12	BRACKET	G.S	435309-01	1	1	1	1
13	TOGGLE SWITCH	WD2119	434870-01	1	1	1	1
14	FUSE HOLDER	FH032, 250V 10A	424288-01	2	2	x 2	
		F-130, 250V 10A	446963-01			o 2	2
15	FUSE	FGAO2, 250V 1A	420468-03	1	1	1	1
16	FUSE	10A	420468-04	1	1	1	1
17	BUSHING	SB-625-8	420470-01	2	2	2	2
18	BUSHING	SB-750-10	420470-05	1	1	1	1
19	TAPPING SCREW	3x8	431415-01	4	4	4	4
20	CAPACITOR	280VAC, 10uF	416921-05	1	1	1	1
21	OVERLOAD - GEAR MOTOR	NW-3P-2	427253-01	1	1	1	1

HA
F-250BAE

G. LABEL LOCATION

(H-0)(H-1)
(F-0)(G-0)
(E-0)(E-1)
(D-2)(D-1)





(S-0333)

HA
F-250BAE

J. FITTING (N) ASSY

(H-0) (H-1)
(F-0) (G-0)
(E-0) (E-1)
(D-2) (D-1)

