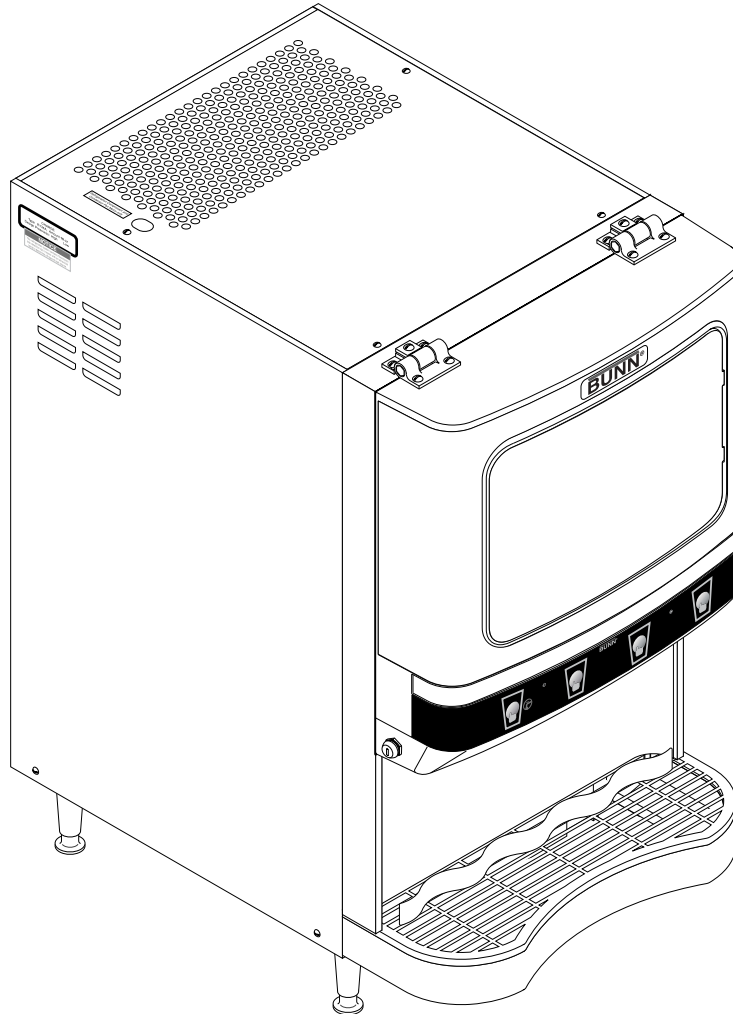


BUNN®

FCD-4



ILLUSTRATED PARTS CATALOG

Designs, materials, weights, specifications, and dimensions for equipment or replacement parts are subject to change without notice.

BUNN-O-MATIC CORPORATION

POST OFFICE BOX 3227

SPRINGFIELD, ILLINOIS 62708-3227

PHONE: (217) 529-6601 FAX: (217) 529-6644

BUNN-O-MATIC COMMERCIAL PRODUCT WARRANTY

Bunn-O-Matic Corp. ("BUNN") warrants equipment manufactured by it as follows:

- 1) All equipment other than as specified below: 2 years parts and 1 year labor.
- 2) Electronic circuit and/or control boards: parts and labor for 3 years.
- 3) Compressors on refrigeration equipment: 5 years parts and 1 year labor.
- 4) Grinding burrs on coffee grinding equipment to grind coffee to meet original factory screen sieve analysis: parts and labor for 3 years or 30,000 pounds of coffee, whichever comes first.

These warranty periods run from the date of installation BUNN warrants that the equipment manufactured by it will be commercially free of defects in material and workmanship existing at the time of manufacture and appearing within the applicable warranty period. This warranty does not apply to any equipment, component or part that was not manufactured by BUNN or that, in BUNN's judgment, has been affected by misuse, neglect, alteration, improper installation or operation, improper maintenance or repair, damage or casualty. This warranty is conditioned on the Buyer 1) giving BUNN prompt notice of any claim to be made under this warranty by telephone at (217) 529-6601 or by writing to Post Office Box 3227, Springfield, Illinois 62708-3227; 2) if requested by BUNN, shipping the defective equipment prepaid to an authorized BUNN service location; and 3) receiving prior authorization from BUNN that the defective equipment is under warranty.

THE FOREGOING WARRANTY IS EXCLUSIVE AND IS IN LIEU OF ANY OTHER WARRANTY, WRITTEN OR ORAL, EXPRESS OR IMPLIED, INCLUDING, BUT NOT LIMITED TO, ANY IMPLIED WARRANTY OF EITHER MERCHANTABILITY OR FITNESS FOR A PARTICULAR PURPOSE. The agents, dealers or employees of BUNN are not authorized to make modifications to this warranty or to make additional warranties that are binding on BUNN. Accordingly, statements by such individuals, whether oral or written, do not constitute warranties and should not be relied upon.

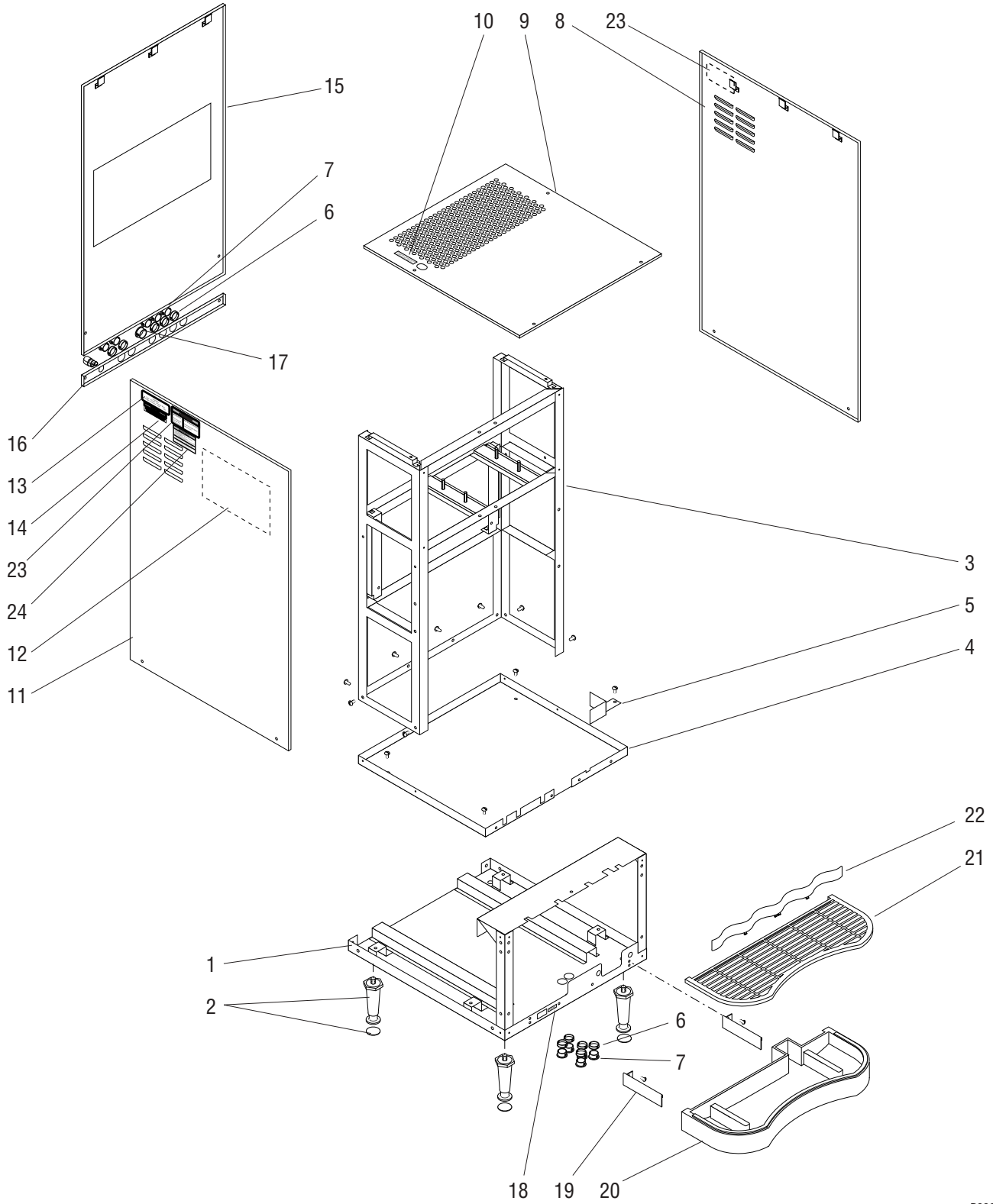
If BUNN determines in its sole discretion that the equipment does not conform to the warranty, BUNN, at its exclusive option while the equipment is under warranty, shall either 1) provide at no charge replacement parts and/or labor (during the applicable parts and labor warranty periods specified above) to repair the defective components, provided that this repair is done by a BUNN Authorized Service Representative; or 2) shall replace the equipment or refund the purchase price for the equipment.

THE BUYER'S REMEDY AGAINST BUNN FOR THE BREACH OF ANY OBLIGATION ARISING OUT OF THE SALE OF THIS EQUIPMENT, WHETHER DERIVED FROM WARRANTY OR OTHERWISE, SHALL BE LIMITED, AT BUNN'S SOLE OPTION AS SPECIFIED HEREIN, TO REPAIR, REPLACEMENT OR REFUND.

In no event shall BUNN be liable for any other damage or loss, including, but not limited to, lost profits, lost sales, loss of use of equipment, claims of Buyer's customers, cost of capital, cost of down time, cost of substitute equipment, facilities or services, or any other special, incidental or consequential damages.

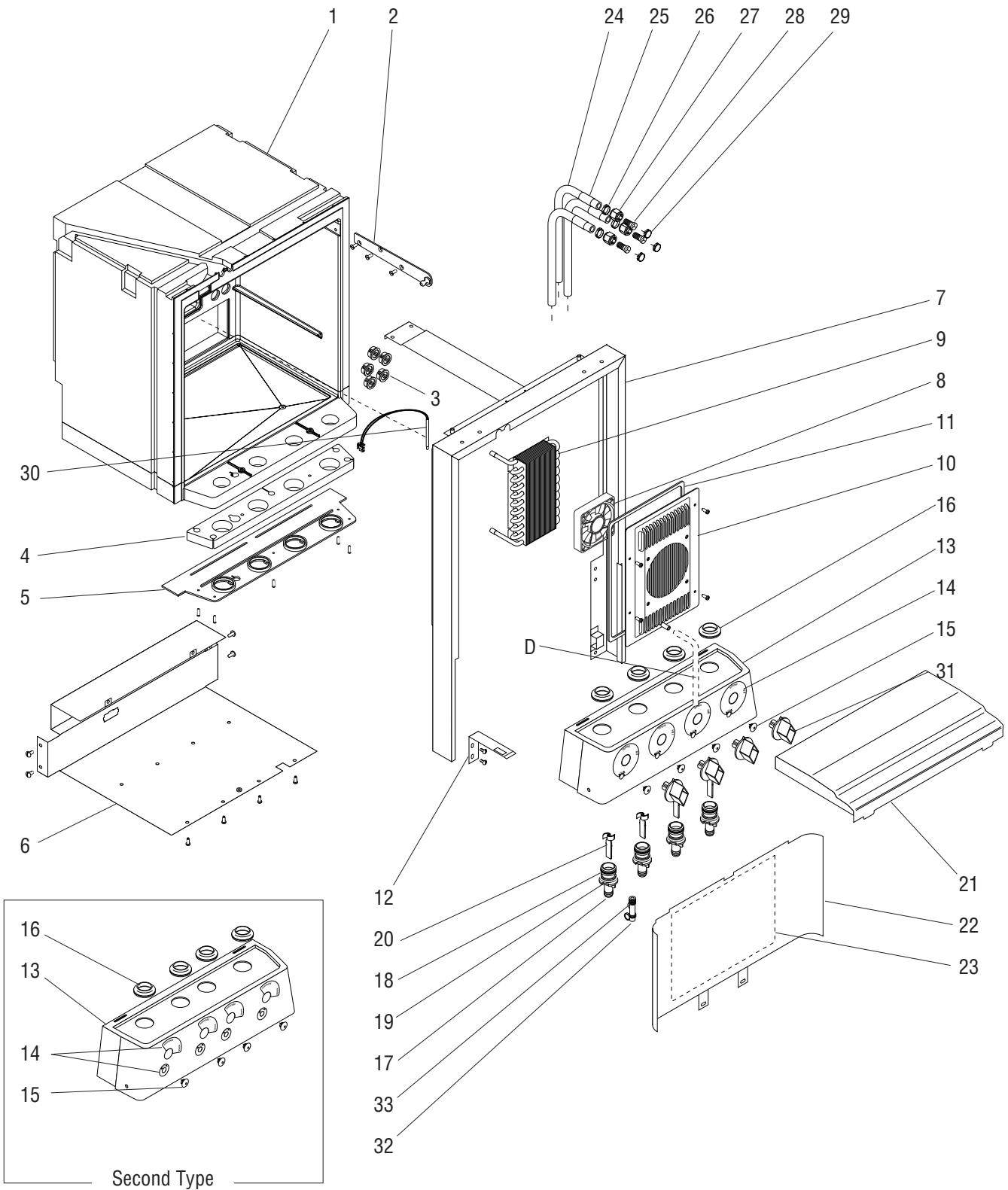
TABLE OF CONTENTS

| | |
|---------------------------------|----|
| Main Frame & Covers | 4 |
| Upper Cabinet & Panels | 6 |
| Water Tank Assy | 10 |
| Water Valve Assy | 14 |
| Refrigeration Components | 18 |
| Fan Assy | 20 |
| Compressor Assy | 22 |
| Dispense Platform Assy | 24 |
| Dispense Valve Assy | 28 |
| Plain Water Manifold Assy | 30 |
| Pump Assy | 32 |
| Rinse Water Manifold Assy | 36 |
| Bottle Adapter Assy | 38 |
| Door Assy | 40 |
| Electrical Components | 44 |
| Refillable Container Assy | 48 |
| Numerical Index | 50 |



MAIN FRAME & COVERS

| ITEM | PART NO. | QTY. | DESCRIPTION |
|------|--------------------------|--------|--|
| 1 | 29819.1000 | 1 | Base Assy w/Decal (Includes item 18) |
| 2 | 26528.0000 03996.0000 | 4 4 | Leg Pad, Non-skid } Order item 25 |
| 3 | 29828.0000 01326.0004 | 1 8 | Frame Assy, Refrigeration Screw, Locking #10-32 x .438" |
| 4 | 33283.0000 01326.0004 | 1 4 | Frame Tray Screw, Locking #10-32 x .438" |
| 5 | 33156.0000 | 1 | Bracket |
| 6 | 27354.0000 | 10 | Bushing, Snap |
| 7 | 00668.0000 | 10 | Plug |
| 8 | 32489.1000 02331.0001 | 1 2 | Panel, Right w/Decal (Includes item 23) Screw, BLK #10-32 x .38" |
| 9 | 32009.1000 02331.0001 | 1 4 | Panel, Top w/Decal (includes item 10) Screw, BLK #10-32 x .38" |
| 10 | 33458.0000 | 1 | Decal, Refrigeration ON/OFF |
| 11 | 32481.1000 02331.0001 | 1 2 | Panel, Left w/Decals (Includes items 12,13,14,23 & 24) Screw, BLK #10-32 x .38" |
| 12 | ----- | 1 | Schematic, Refrigeration (Early Models) |
| 13 | 33461.0000 | 1 | Decal, Refrigerant Charge |
| 14 | 33465.0000 | 1 | Decal, Refrigerant Dye |
| 15 | 32479.0000 02331.0001 | 1 2 | Panel, Upper Rear Screw, BLK #10-32 x .38" |
| 16 | 32477.0000 02331.0001 | 1 2 | Panel, Lower Rear Screw, BLK #10-32 x .38" |
| 17 | 32635.0000 | 1 | Plug .812" Dia. |
| 18 | 33460.0000 | 1 | Decal, Sanitize Switch |
| 19 | 33217.0000 01315.0000 | 2 4 | Bracket Screw #8-32 x .38" |
| 20 | 33048.1000 | 1 | Drip Tray |
| 21 | 32474.0000 | 1 | Cover, Drip Tray |
| 22 | 32450.0000 | 1 | Cup Stop |
| 23 | 27442.0000 | 2 | Decal, Moving Parts Warning |
| 24 | 00986.0002 | 1 | Decal, Warning - Electrical |
| 25 | 13255.0003 | - | Leg Kit (Includes 4 Legs and 4 Pads) |



NOTE: Letters appearing within this illustration correspond to matching connections in other illustrations.

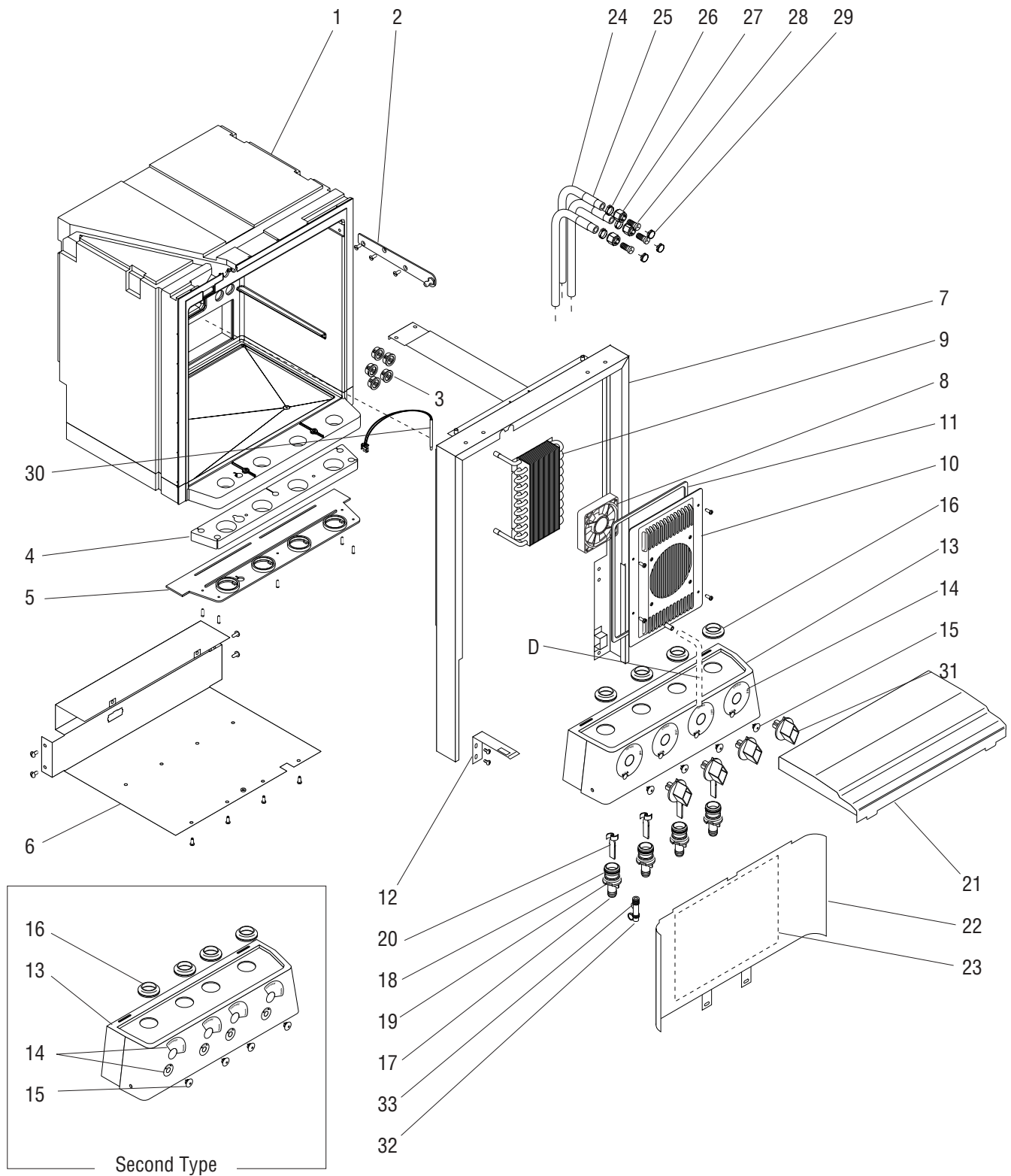
P2270

UPPER CABINET & PANELS

| ITEM | PART NO. | QTY. | DESCRIPTION |
|------|------------|------|---|
| 1 | 32805.0000 | 1 | Cabinet Assy (Includes items 8 thru 11) |
| 2 | 33053.0000 | 1 | Bracket |
| | 33052.0000 | 3 | Screw |
| 3 | 01663.0000 | 5 | Bushing (Early models only) |
| 4 | 33516.0000 | 1 | Foam, Upper Cabinet |
| 5 | 32369.0000 | 1 | Plate, Upper Cabinet |
| | 01345.0000 | 5 | Screw #6-32 x .50" |
| 6 | 32594.0000 | 1 | Bracket, Upper Cabinet |
| | 24544.0000 | 10 | Screw #8-18 |
| | 01326.0004 | 4 | Screw, Locking #10-32 x .438" |
| 7 | 32599.0000 | 1 | Wrap, Upper Cabinet |
| | 01326.0004 | 5 | Screw, Locking #10-32 x .438" |
| 8 | 33297.0000 | 1 | Fan Assy |
| | 24544.0000 | 4 | Screw #8-18 |
| 9 | 32763.0000 | 1 | Water Coil, Upper Cabinet |
| | 01382.0000 | 4 | Screw #6-32 x .38" |
| 10 | 32448.1000 | 1 | Cover (Includes item 11) |
| | 24544.0000 | 4 | Screw #8-18 |
| 11 | 33511.0000 | 1 | Gasket |
| 12 | 33172.0000 | 1 | Bracket, Lock |
| | 01326.0004 | 2 | Screw, Locking #10-32 x .438" |
| 13 | 32446.1000 | 1 | Panel, Front Dispense (Includes 4 of items 14,15 & 16)(First type; models with 4 same size flavor bottles) |
| | 32446.1001 | 1 | Panel, Front Dispense (Includes 4 of items 14,15 & 16)(Second type; models with 2 large & 2 small flavor bottles) |
| | 01345.0000 | 2 | Screw #6-32 x .50" |
| 14 | 33459.0000 | 4 | Decal, Dispense/Rinse Flow Adj. (First type; models with 4 same size flavor bottles) |
| | 33459.0001 | 4 | Decal, Dispense/Rinse |
| | 33459.0002 | 4 | Decal, Flow Adj. |
| | | | } Second type; models with 2 large & 2 small flavor bottles |
| 15 | 27394.0000 | 4 | Plug |
| 16 | 32461.0000 | 4 | Gasket, Drip |
| 17 | 32467.1000 | 4 | Nozzle (includes items 18 thru 20) |
| 18 | 32848.0000 | 4 | O-ring |
| 19 | 32858.0000 | 4 | Shield |
| 20 | 32621.0000 | 4 | Mixer, Spiral |
| 21 | 32443.0000 | 1 | Product Shelf |
| 22 | 32147.1000 | 1 | Splash Guard (Includes item 23) |
| | 01315.0000 | 2 | Screw #8-32 x .38" |

(Continued)

(Continued)

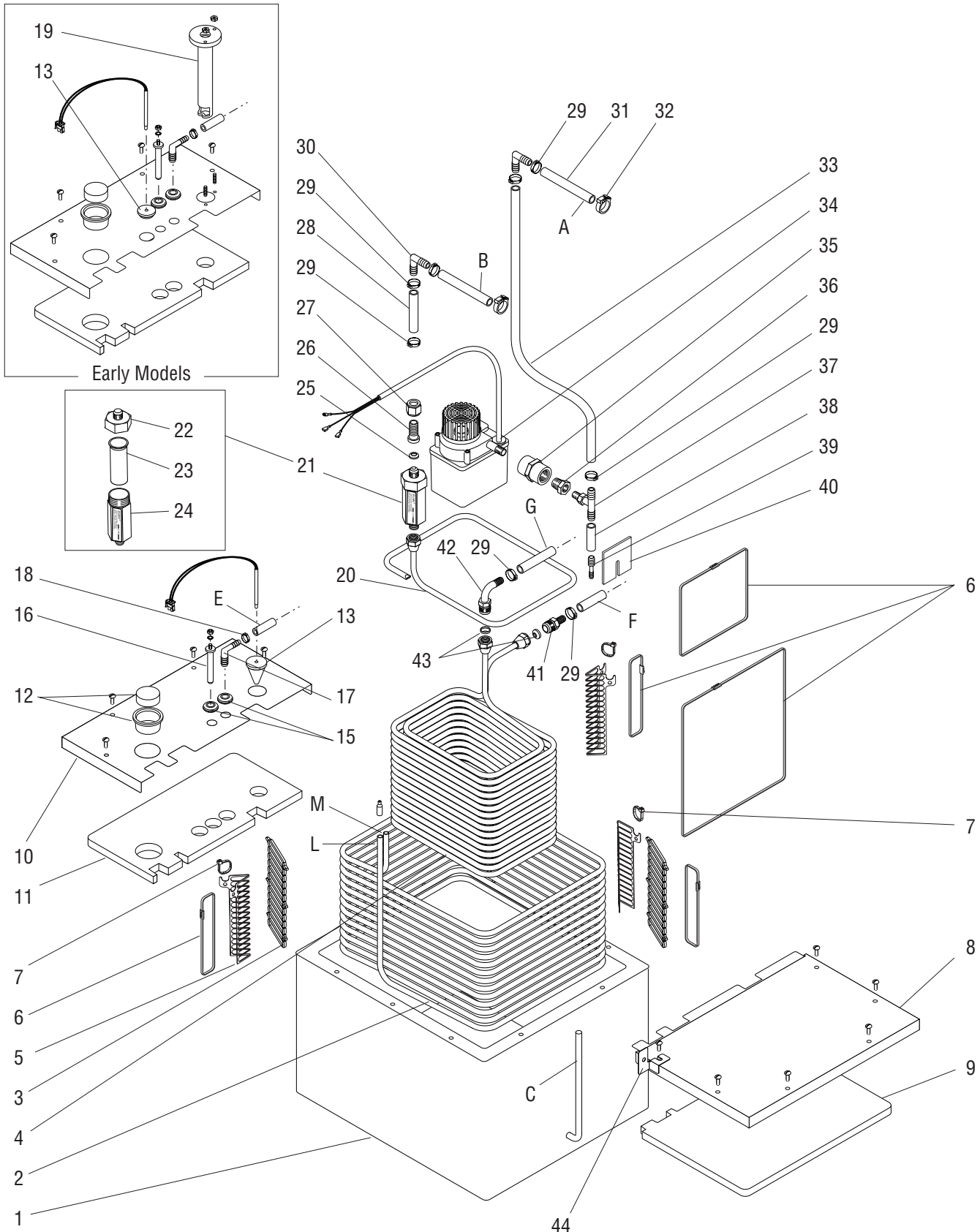


NOTE: Letters appearing within this illustration correspond to matching connections in other illustrations.

P2270

UPPER CABINET & PANELS

| ITEM | PART NO. | QTY. | DESCRIPTION |
|------|------------|------|---|
| 23 | 33457.0000 | 1 | Schematic, Electrical |
| 24 | ----- | 3 | Hose .38" ID x .595" OD x 36.0" (Order item 34) |
| 25 | 33462.0002 | 2 | Decal, Concentrate #4 |
| | 33462.0003 | 2 | Decal, Concentrate #2 |
| | 33462.0004 | 2 | Decal, Concentrate #3 |
| 26 | 21275.0003 | 3 | Clamp .59 - .66" |
| 27 | 33150.0000 | 3 | Nut, Swivel |
| 28 | 33686.0000 | 3 | Fitting |
| 29 | 00619.0000 | 3 | Plug |
| 30 | 27246.0000 | 1 | Temperature Sensor |
| 31 | 32455.0000 | 4 | Knob |
| 32 | 32948.1000 | 1 | Nozzle, Cold Water (Includes 1 of item 33) |
| 33 | 32849.0001 | 3 | O-ring |
| 34 | 32759.1002 | - | Hose .38" ID x .595" OD x 120.0" (Use as required) |
| 35 | M2568.0000 | - | Grease, USDA H-1 (Use when assembling items 17,18 & 19) |



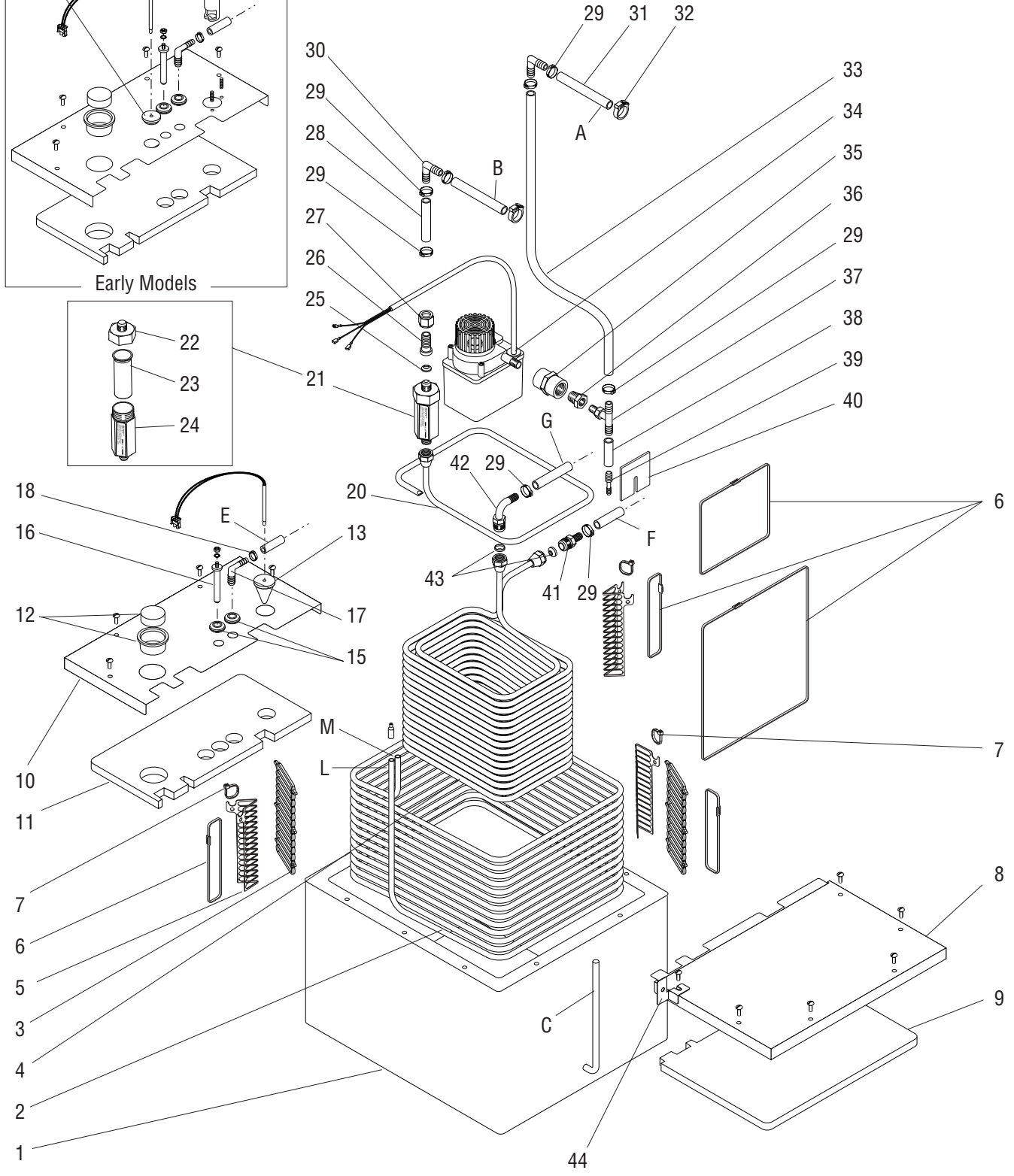
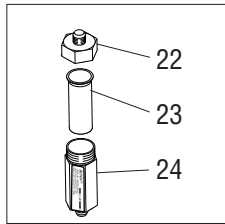
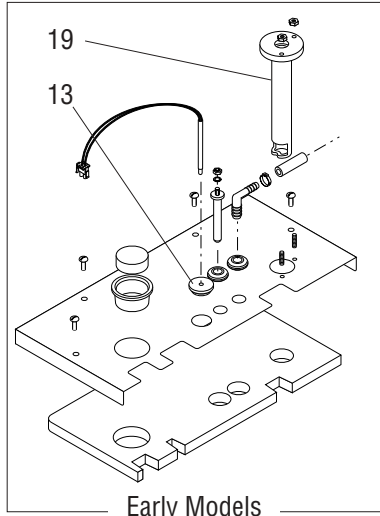
NOTE: Letters appearing within this illustration correspond to matching connections in other illustrations.

P2271

WATER TANK ASSY

| ITEM | PART NO. | QTY. | DESCRIPTION |
|------|------------|------|---|
| 1 | 33224.0000 | 1 | Tank Assy |
| 2 | 32378.0000 | 1 | Evaporator Coil |
| 3 | 32583.0000 | 4 | Spacer |
| 4 | 32837.1000 | 1 | Product Coil Assy (Includes 3 each of items 5 & 6) |
| 5 | 33050.0000 | 3 | Spacer |
| 6 | 32734.0000 | 3 | Tie, Cable SST (17.5" long) |
| | 32734.0001 | 2 | Tie, Cable SST (28.0" long) |
| 7 | 00617.0000 | 3 | Tie, Nylon |
| 8 | 33225.1000 | 1 | Lid, Front (Includes item 9) |
| | 01317.0000 | 6 | Screw #8-32 x .50" |
| 9 | 29988.0001 | 1 | Insulation |
| 10 | 29985.0000 | 1 | Lid, Rear (Includes item 11)(Early Models) |
| | 33226.1000 | 1 | Lid, Rear (Includes item 11)(Late Models) |
| | 01317.0000 | 4 | Screw #8-32 x .50" |
| 11 | 29988.0000 | 1 | Insulation (Early Models) |
| | 29988.0002 | 1 | Insulation (Late Models) |
| 12 | 33323.1000 | 1 | Caplug w/Insulation |
| 13 | 12570.0000 | 1 | Grommet (Early Models) |
| | 33801.0000 | 1 | Grommet (Late Models) |
| 14 | 29327.0000 | 1 | Temperature Sensor Kit |
| 15 | 02536.0000 | 2 | Grommet |
| 16 | 02645.1000 | 1 | Level Probe Assy (Includes hardware indented below) |
| | 01501.0000 | 1 | Washer |
| | 20203.0100 | 1 | Lockwasher, Internal-tooth #8 |
| | 00908.0000 | 1 | Nut #8-32 |
| 17 | 32656.0000 | 1 | Fitting, Elbow |
| 18 | 21275.0001 | 1 | Clamp .43 - .48" |
| 19 | 32616.1000 | 1 | Tube, Ice Bank Control |
| | 00908.0000 | 2 | Nut #8-32 |
| | | | } Early Models |
| 20 | 32444.0000 | 1 | Return Manifold |
| 21 | 23720.1000 | 2 | Strainer Assy (Includes items 22,23 & 24)(Second to be used at water inlet) |
| 22 | 23723.0000 | 1 | Cap, End |
| 23 | 23721.0000 | 1 | Screen |
| 24 | ----- | 1 | Housing, Strainer (Order item 21) |
| 25 | 33149.0000 | 1 | Gasket |
| 26 | 33686.0000 | 1 | Fitting, Barb |
| 27 | 33150.0000 | 1 | Swivel Nut (Continued) |

(Continued)

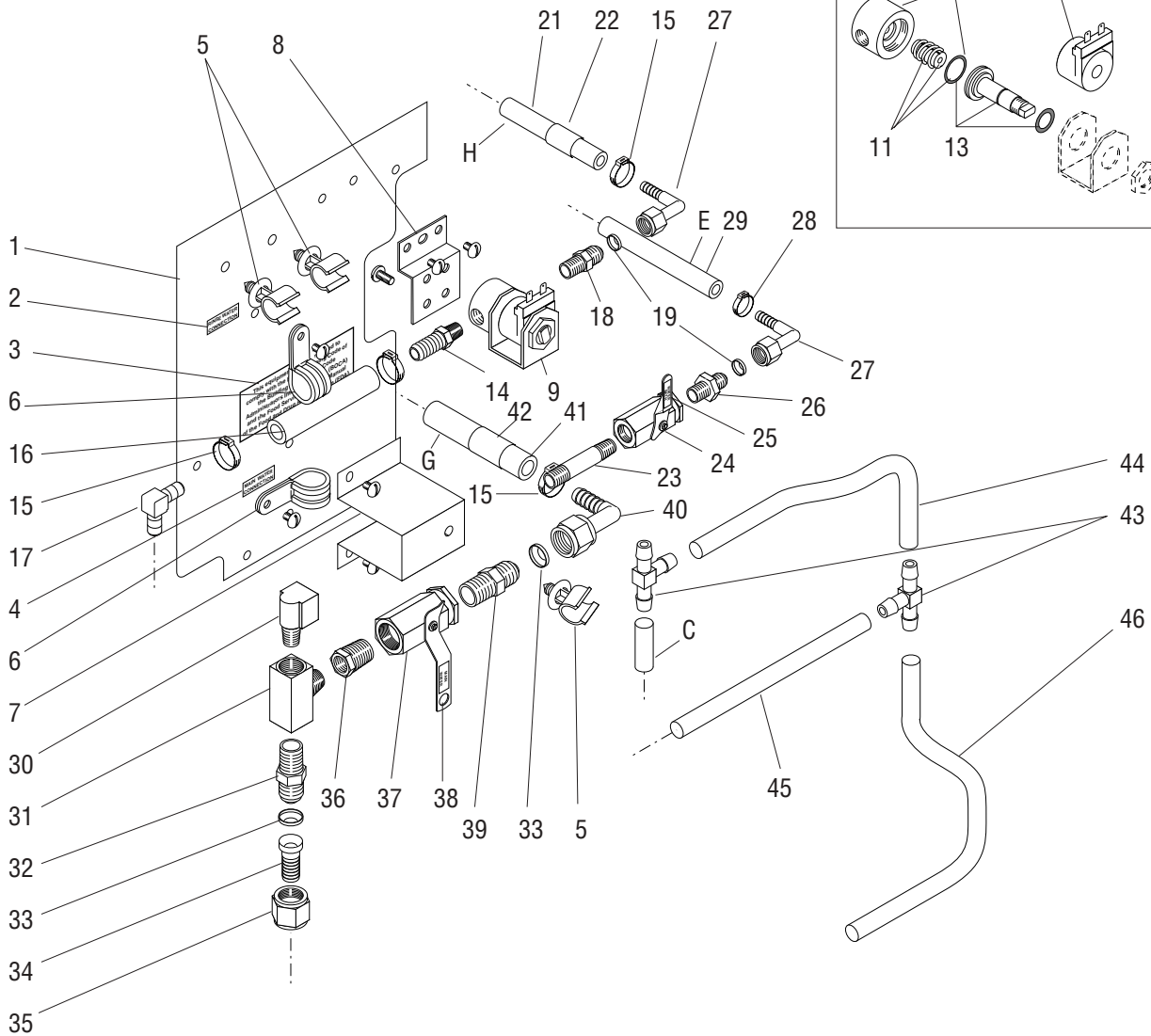
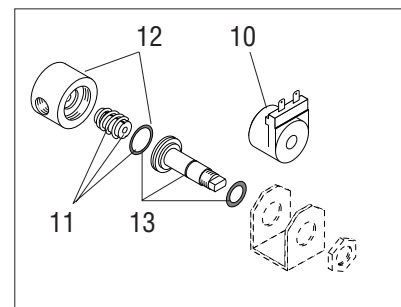
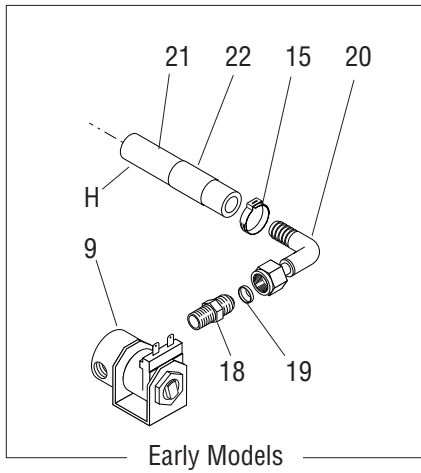


NOTE: Letters appearing within this illustration correspond to matching connections in other illustrations.

P2271

WATER TANK ASSY

| ITEM | PART NO. | QTY. | DESCRIPTION |
|------|------------|------|--|
| 28 | ----- | 1 | Tube, Silicone .38" ID x .625" OD x 2.625" (Order item 45) |
| 29 | 21275.0003 | 8 | Clamp .59 - .66" |
| 30 | 33623.0000 | 2 | Elbow |
| 31 | ----- | 2 | Tube, Silicone .38" ID x .625" OD x 4.0" (Order item 45) |
| 32 | 12422.0005 | 2 | Clamp .62 - .71" |
| 33 | ----- | 1 | Tube, Silicone .38" ID x .625" OD x 30.0" (Order item 45) |
| 34 | 33328.0000 | 1 | Pump Assy |
| 35 | 33067.0001 | 1 | Fitting |
| 36 | 33499.0000 | 1 | Bushing |
| 37 | 24374.0000 | 1 | Tee |
| 38 | ----- | 1 | Tube, Silicone .38" ID x .625" OD x 1.6" (Order item 45) |
| 39 | 33068.0000 | 1 | Fitting |
| 40 | 33685.0000 | 1 | Deflector |
| 41 | 33263.0000 | 1 | Fitting |
| 42 | 33299.0000 | 1 | Elbow |
| 43 | 33149.0001 | 2 | Gasket |
| 44 | 33707.0000 | 1 | Bracket |
| | 01326.0004 | 1 | Screw, Locking #10-32 x .438" |
| 45 | 20976.1000 | - | Tube, Silicone .38" ID x .625" OD x 12.0" (Use as required) |
| | 20976.1001 | - | Tube, Silicone .38" ID x .625" OD x 36.0" (Use as required) |
| | 20976.1002 | - | Tube, Silicone .38" ID x .625" OD x 120.0" (Use as required) |



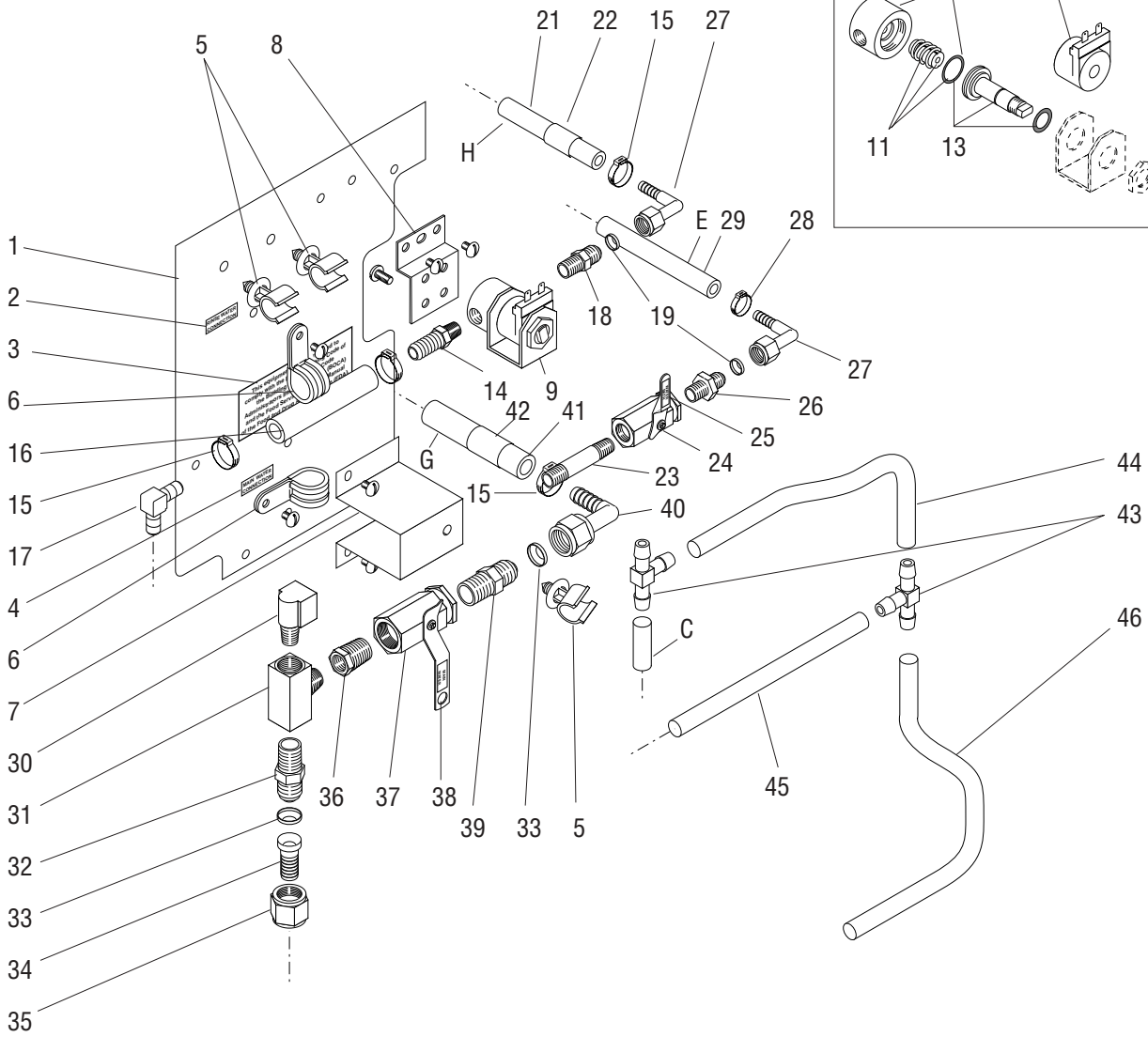
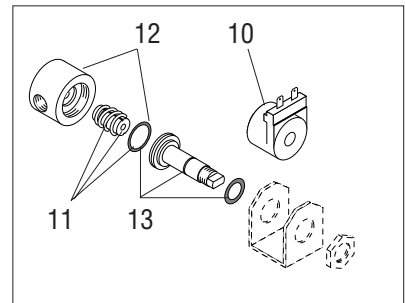
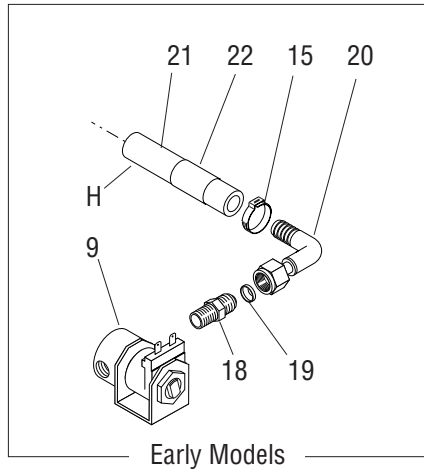
NOTE: Letters appearing within this illustration correspond to matching connections in other illustrations.

WATER VALVE ASSEMBLY

| ITEM | PART NO. | QTY. | DESCRIPTION |
|------|------------|------|---|
| 1 | 32590.0000 | 1 | Bracket, Valve Mounting |
| | 01311.0000 | 5 | Screw #8-32 x .25" |
| 2 | 33646.0000 | 1 | Decal, Rinse Water Connection |
| 3 | 00656.0000 | 1 | Decal, Comply to Plumbing |
| 4 | 33645.0000 | 1 | Decal, Main Water Connection |
| 5 | 27410.0000 | 3 | Clip, Tube |
| 6 | 32360.0001 | 2 | Clamp |
| | 01311.0000 | 2 | Screw #8-32 x .25" |
| 7 | 32587.0001 | 1 | Bracket |
| | 01311.0000 | 2 | Screw #8-32 x .25" |
| 8 | 20201.4300 | 1 | Bracket |
| | 01311.0000 | 2 | Screw #8-32 x .25" |
| 9 | 01085.0002 | 1 | Valve, Solenoid (Includes items 10 - 13) |
| | 01327.0000 | 2 | Screw #10-32 x .38" |
| 10 | 28480.0000 | 1 | Solenoid Valve Coil |
| 11 | 01111.0002 | 1 | Solenoid Valve Repair Kit (Includes Plunger, Spring and O-ring) |
| 12 | 28479.0000 | 1 | Solenoid Valve Base Kit (Includes O-ring) |
| 13 | 28481.0000 | 1 | Guide Kit |
| 14 | 33152.0000 | 1 | Fitting |
| 15 | 21275.0003 | 4 | Clamp .59 - .66" |
| 16 | ----- | 1 | Hose .38" ID x .595" OD x 3.0" (Order item 47) |
| 17 | 32974.0001 | 1 | Elbow |
| 18 | 00402.0001 | 1 | Connector |
| 19 | 33149.0001 | 2 | Gasket |
| 20 | 33151.0002 | 1 | Fitting, Elbow .38" Barb (Early Models) |
| 21 | ----- | 1 | Hose .38" ID x .595" OD x 27.0" (Order item 47)(Early Models) |
| | ----- | 1 | Hose .25" ID x .44" OD x 27.0" (Order item 48)(LateModels) |
| 22 | 33462.0001 | 1 | Decal, Wrap Around - Rinse Line |
| 23 | 12155.0003 | 1 | Nipple |
| 24 | 33113.0000 | 1 | Valve (Also order item 25) |
| 25 | 33466.0000 | 1 | Decal, Water Bath Fill Valve |
| 26 | 00403.0002 | 1 | Connector |
| 27 | 33151.0001 | 2 | Fitting, Elbow .25" Barb (One less used on Early Models) |

(Continued)

(Continued)



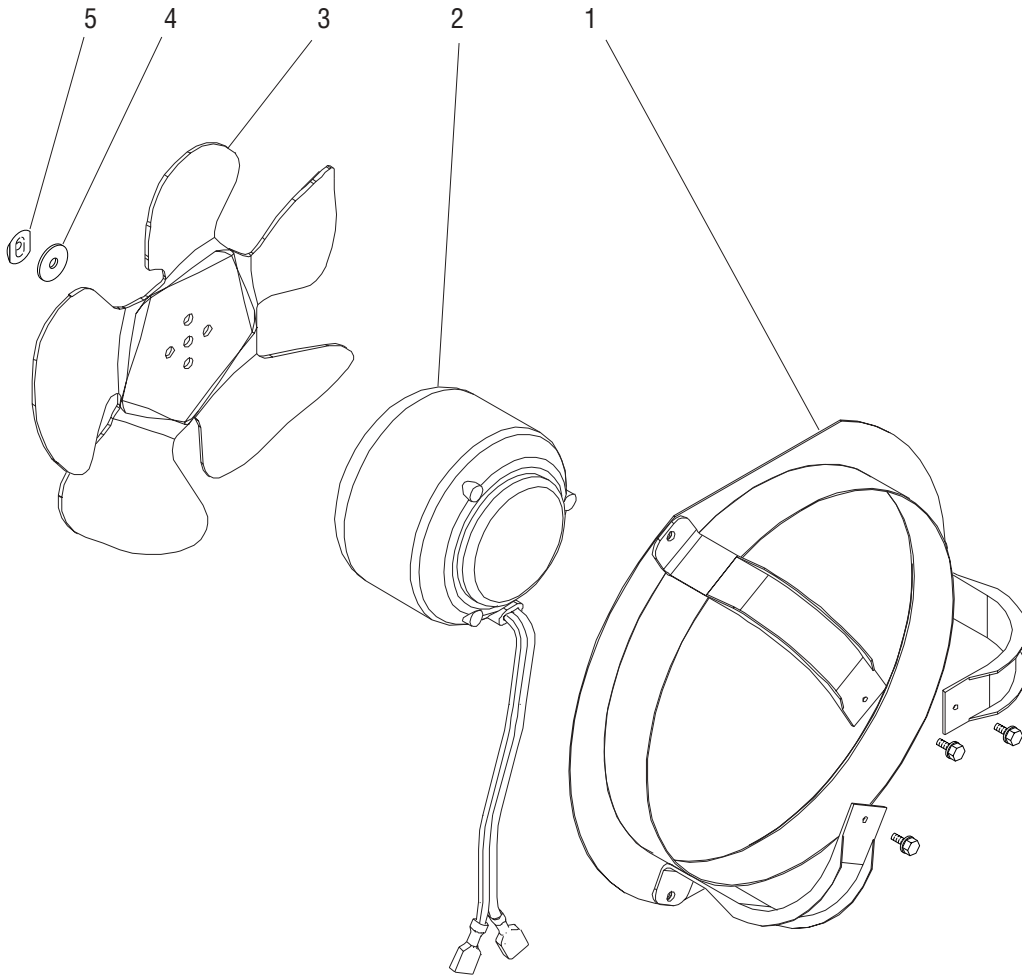
NOTE: Letters appearing within this illustration correspond to matching connections in other illustrations.

WATER VALVE ASSEMBLY

| ITEM | PART NO. | QTY. | DESCRIPTION |
|------|------------|------|---|
| 28 | 21275.0001 | 1 | Clamp .43 - .48" (Service replacement) |
| 29 | ----- | 1 | Hose .25" ID x .44" OD x 18.0" (Order item 48) |
| 30 | 00442.0001 | 1 | Elbow |
| 31 | 21195.0001 | 1 | Tee |
| 32 | 00510.0001 | 1 | Connector |
| 33 | 33149.0000 | 2 | Gasket |
| 34 | 33686.0000 | 1 | Nipple |
| 35 | 33150.0000 | 1 | Nut, Swivel |
| 36 | 00441.0000 | 1 | Bushing |
| 37 | 33114.0000 | 1 | Valve (Also order item 38) |
| 38 | 33467.0000 | 1 | Decal, Main Water Valve |
| 39 | 00510.0002 | 1 | Connector |
| 40 | 33151.0000 | 1 | Fitting, Elbow |
| 41 | ----- | 1 | Hose .38" ID x .595" OD x 21.0" (Order item 47) |
| 42 | 33462.0000 | 1 | Decal, Wrap Around - Water Line |
| 43 | 33153.0000 | 2 | Tee |
| 44 | ----- | 1 | Hose, Silicone .25" ID x .50" OD x 8.5" (Order item 49) |
| 45 | ----- | 1 | Hose, Silicone .25" ID x .50" OD x 5.0" (Order item 49) |
| 46 | ----- | 1 | Hose, Silicone .25" ID x .50" OD x 6.0" (Order item 49) |
| 47 | 32759.1002 | - | Hose .38" ID x .595" OD x 120.0" (Use as required) |
| 48 | 32745.1002 | - | Hose .25" ID x .44" OD x 120.0" (Use as required) |
| 49 | 11707.1000 | - | Hose, Silicone .25" ID x .50" OD x 12.0" (Use as required) |
| | 11707.1001 | - | Hose, Silicone .25" ID x .50" OD x 36.0" (Use as required) |
| | 11707.1002 | - | Hose, Silicone .25" ID x .50" OD x 120.0" (Use as required) |

REFRIGERATION COMPONENTS

| ITEM | PART NO. | QTY. | DESCRIPTION |
|------|------------|------|---|
| 1 | 32155.0000 | 1 | Air Filter |
| 2 | 00927.0000 | 4 | Clip |
| 3 | 32211.0000 | 1 | Condenser |
| | 01311.0000 | 4 | Screw #8-32 x .25" |
| 4 | 32203.0000 | 1 | Shroud |
| | 02332.0002 | 4 | Screw #6 x .38" |
| 5 | ----- | 1 | Fan Assy (See CONDENSER FAN ASSY) |
| | 02332.0002 | 3 | Screw #6 x .38" |
| 6 | ----- | 1 | Fan Assy (See UPPER CABINET ASSY) |
| 7 | ----- | 1 | Water Coil (See UPPER CABINET ASSY) |
| 8 | ----- | 1 | Compressor Assy (See COMPRESSOR ASSY) |
| 9 | ----- | 4 | Grommet |
| 10 | ----- | 4 | Sleeve |
| | | | } Order item 19 |
| 11 | 21431.0003 | 4 | Washer |
| 12 | 23700.0000 | 4 | Nut |
| 13 | 33105.0000 | 1 | Tube (Requires brazing to install) |
| 14 | 33112.0001 | 1 | Tube (Requires brazing to install) |
| 15 | 33104.0001 | 1 | Tube (Requires brazing to install) |
| 16 | 32776.0001 | 1 | Accumulator (Requires brazing to install) |
| 17 | 33102.0001 | 1 | Tube (Requires brazing to install) |
| 18 | 32777.0000 | 1 | Tube Adapter (Requires brazing to install) |
| 19 | 28567.0000 | 1 | Mounting Kit (Includes four each of items 9 & 10) |

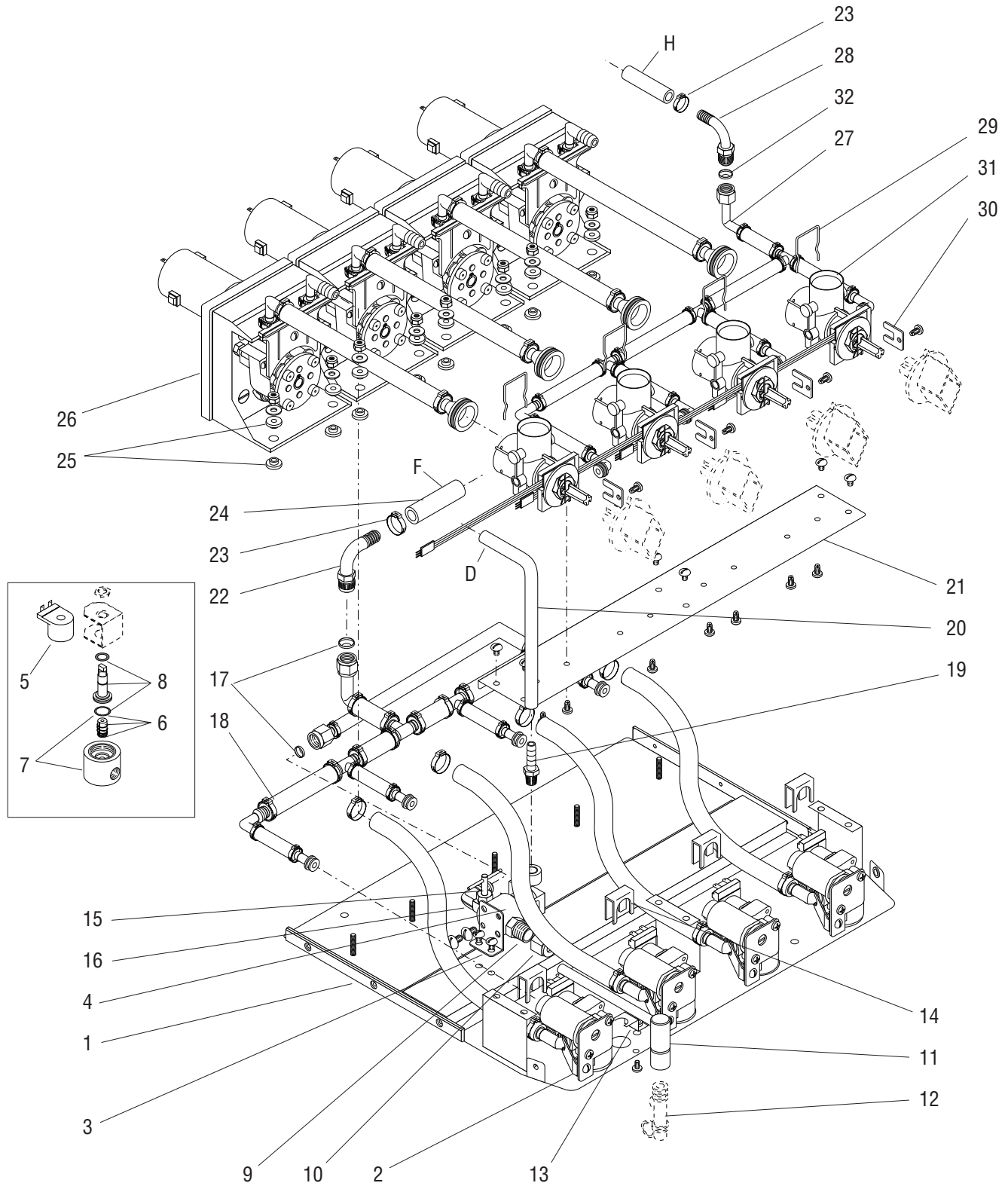


FAN ASSEMBLY

| ITEM | PART NO. | QTY. | DESCRIPTION |
|------|------------|------|-------------------------------------|
| - | 32204.0000 | 1 | Fan Assy (Includes items 1-5) |
| | 02332.0002 | 3 | Screw, Crimptite #6 x .38" |
| 1 | 33601.0000 | 1 | Mount |
| | 27243.0000 | 3 | Screw, Thread Forming #8-32 x .437" |
| 2 | 33603.0000 | 1 | Motor Assy |
| 3 | 33602.0000 | 1 | Blade, Fan |
| 4 | 27258.0000 | 1 | Silencer |
| 5 | 27257.0000 | 1 | Speed Nut |

COMPRESSOR ASSEMBLY

| ITEM | PART NO. | QTY. | DESCRIPTION |
|------|------------|------|--|
| - | 32778.0000 | 1 | Compressor Assy (Includes items 1 - 8) |
| 1 | ----- | 1 | Compressor Housing (Not serviced) |
| 2 | 33759.0000 | 1 | Relay |
| 3 | 33758.0000 | 1 | Overload Protector |
| 4 | 33757.0000 | 1 | Retainer |
| 5 | 33756.0000 | 1 | Terminal Block Cover |
| 6 | 33755.0000 | 1 | Cover |
| 7 | 33754.0000 | 1 | Clip |
| 8 | 33762.0000 | 1 | Screw, Pan Head, Ground M3.5 x 6mm |



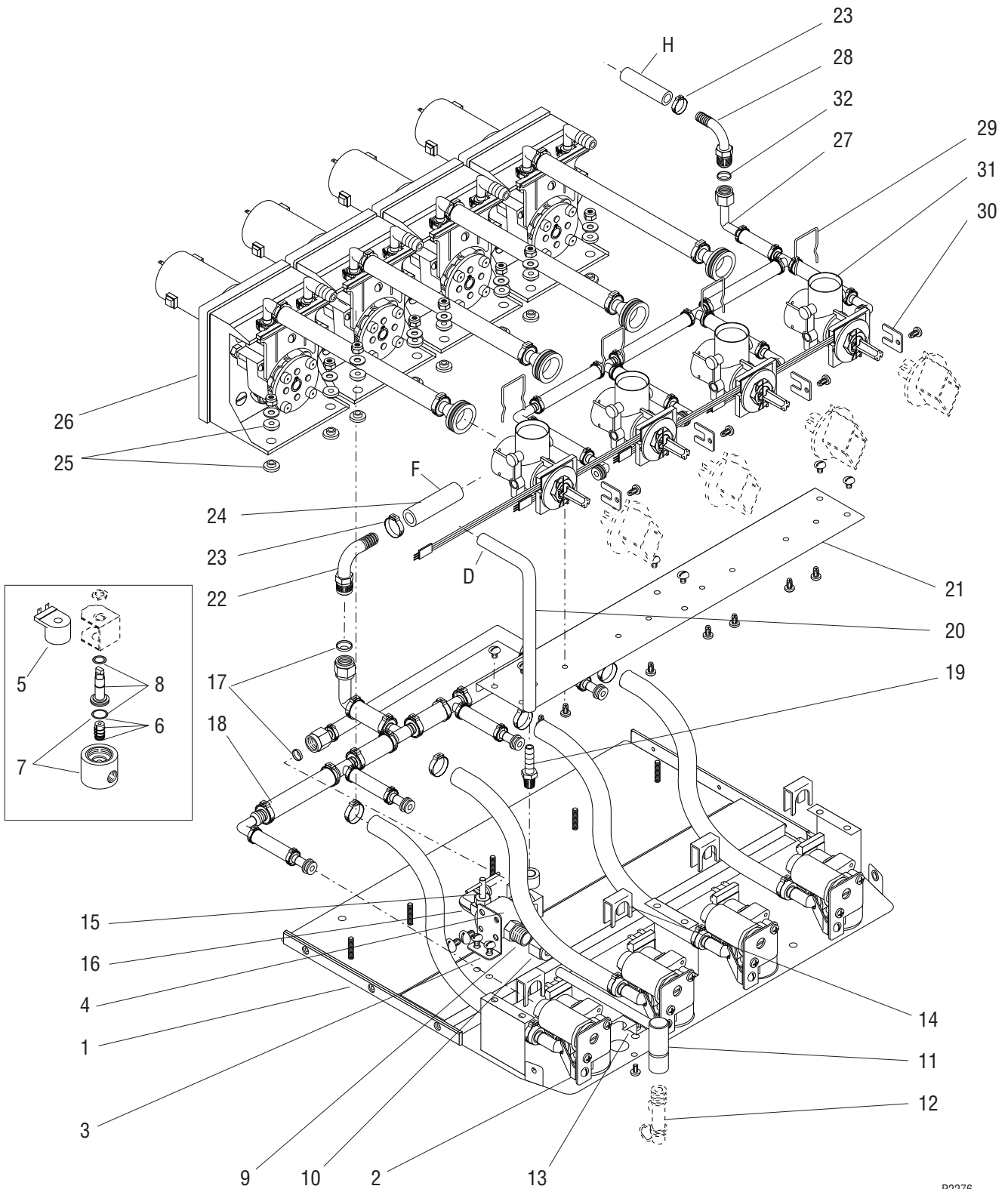
NOTE: Letters appearing within this illustration correspond to matching connections in other illustrations.

DISPENSE PLATFORM ASSEMBLY

| ITEM | PART NO. | QTY. | DESCRIPTION |
|------|--------------------------|--------|---|
| - | 32762.0000 | 1 | Platform Assy (Includes items 1 thru 11, 13 thru 21, 23 thru 31, 35 & 36) |
| 1 | 32736.1000 | 1 | Dispense Platform Assy |
| 2 | ----- 32860.0000 | 4 8 | Dispense Valve (See DISPENSE VALVE ASSY) Screw #8-18 x .312" |
| 3 | 04623.0001 01311.0001 | 1 2 | Bracket Screw, Locking #8-32 x .25" |
| 4 | 32757.0000 01326.0002 | 1 2 | Valve Assy, Water (Includes items 5 - 8) Screw, Locking #10-32 x .312" |
| 5 | 33582.0000 | 1 | Solenoid Valve Coil |
| 6 | 01111.0002 | 1 | Solenoid Valve Repair Kit (Includes Plunger, Spring and O-ring) |
| 7 | 33587.0000 | 1 | Solenoid Valve Base Kit (Includes O-ring) |
| 8 | 28481.0000 | 1 | Guide Kit |
| 9 | 00406.0001 | 1 | Fitting |
| 10 | 00929.0001 | 1 | Nut, Compression |
| 11 | 33148.0000 | 1 | Socket, Cold Water |
| 12 | ----- | 1 | Nozzle, Cold Water (See UPPER CABINET & PANELS) |
| 13 | 32951.0000 01308.0002 | 1 1 | Bracket Screw, Locking #6-32 x .25" |
| 14 | 32857.0000 | 4 | Clip |
| 15 | 21634.0002 | 1 | Valve, Needle |
| 16 | 00456.0001 | 1 | Elbow |
| 17 | 33149.0001 | 2 | Gasket |
| 18 | ----- | 1 | Manifold, Plain Water (See PLAIN WATER MANIFOLD ASSY) |
| 19 | 22397.0001 00464.0001 | 1 1 | Fitting (Early Models) Elbow (Late Models) |
| 20 | ----- | 1 | Hose, Silicone .25" ID x .50" OD x 7.0" (Order item 33) |
| 21 | 32539.0000 01311.0001 | 1 6 | Rail Screw, Locking #8-32 x .25" |
| 22 | 33299.0000 | 1 | Elbow |
| 23 | 21275.0003 | 6 | Clamp .59 - .66" |
| 24 | ----- | 1 | Hose .38" ID x .595" OD x 21.0" (Order item 34) |
| 25 | 32957.0001 | 16 | Bushing, Rubber |

(Continued)

(Continued)

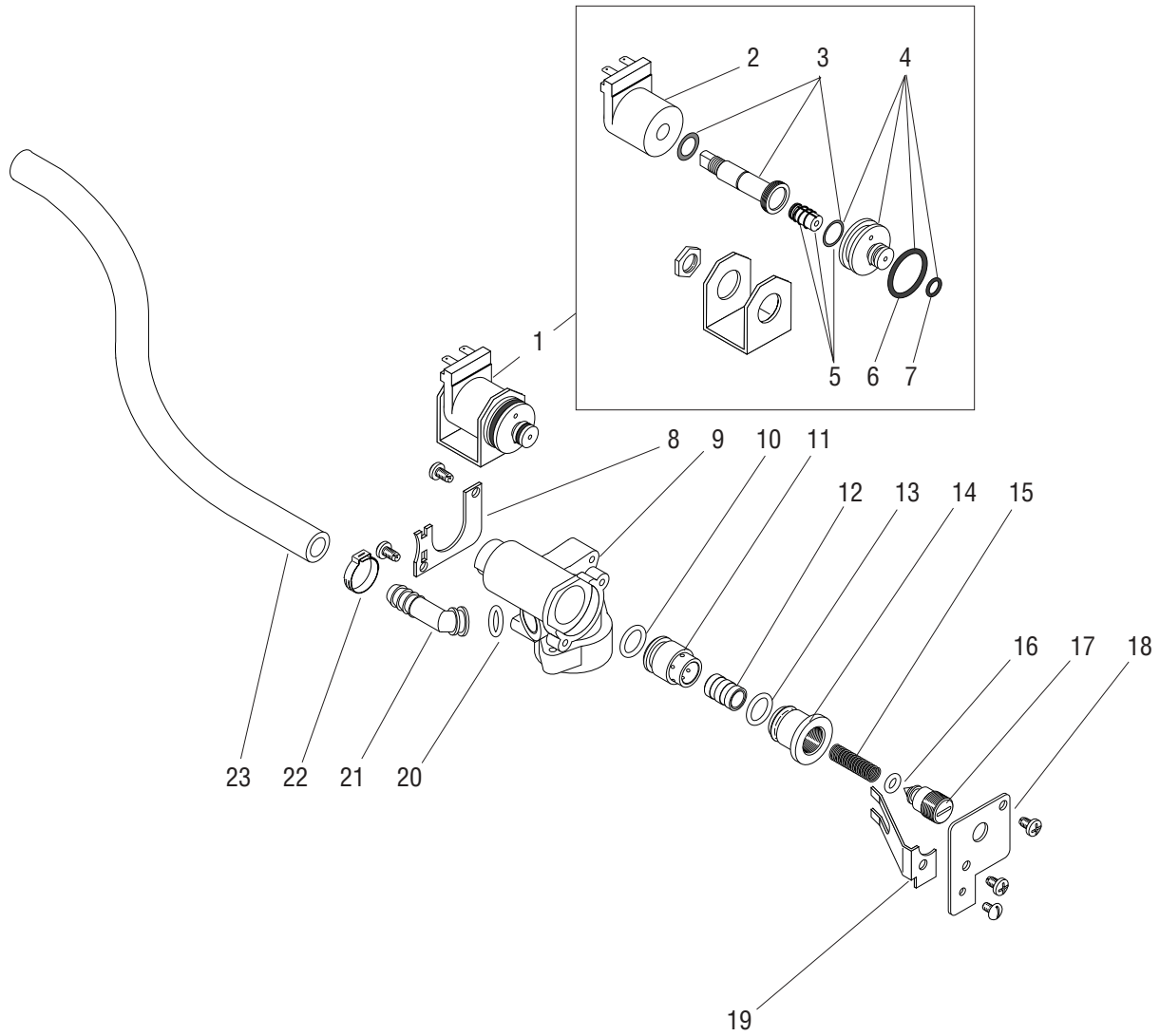


P2276

DISPENSE PLATFORM ASSEMBLY

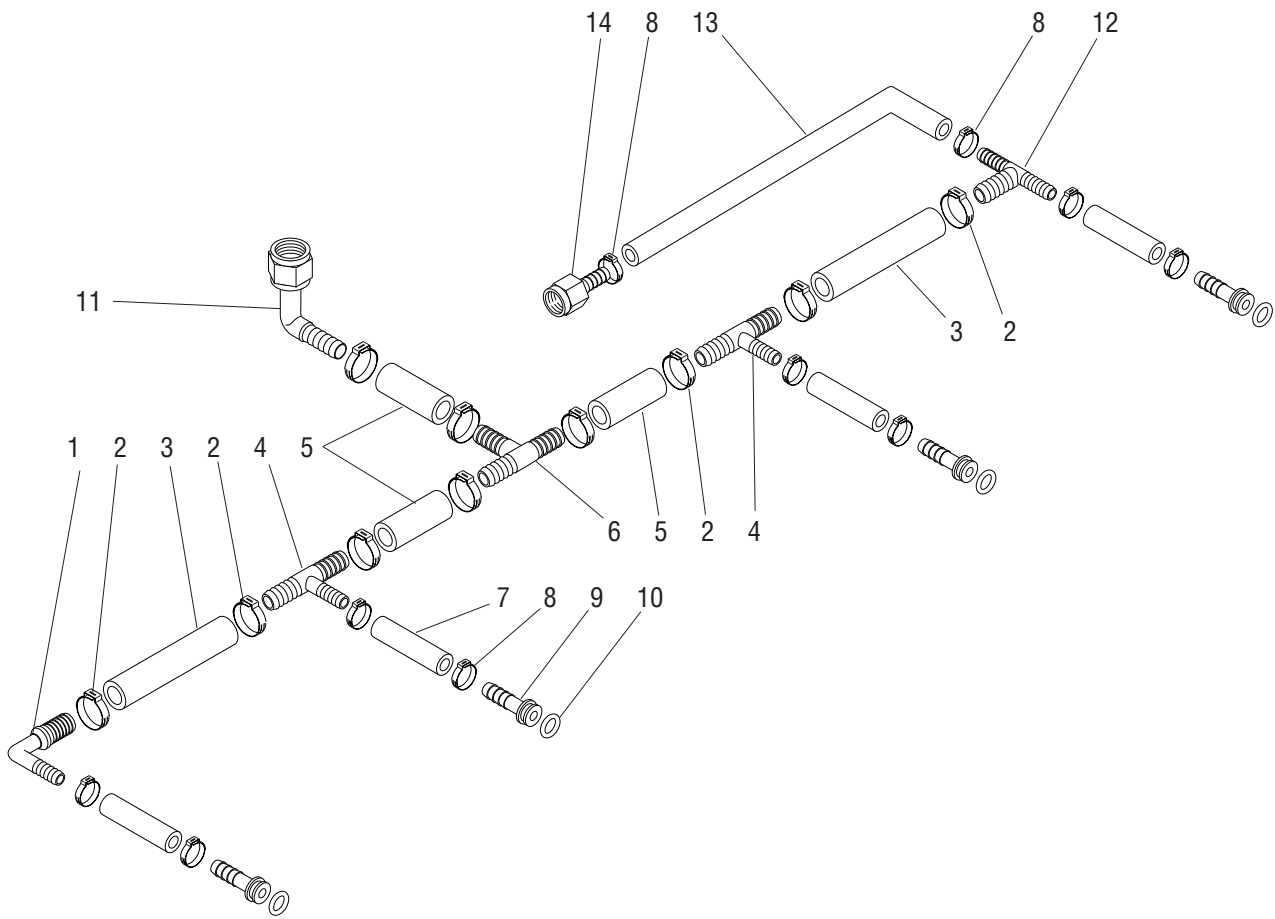
| ITEM | PART NO. | QTY. | DESCRIPTION |
|------|------------|------|--|
| 26 | ----- | 4 | Pump Assy (See PUMP ASSEMBLY) |
| | 01338.0000 | 4 | Screw 38-32 x .625" |
| | 01522.0000 | 8 | Washer |
| | 00991.0000 | 4 | Nut, Elastic Lock #8-32 |
| 27 | ----- | 1 | Manifold, Rinse Water (See RINSE WATER MANIFOLD ASSY) |
| 28 | 33508.0000 | 1 | Elbow .38" Barb (Early Models) |
| | 33774.0000 | 1 | Elbow .25" Barb (Late Models) |
| 29 | 32458.0000 | 4 | Clip, Retainer |
| 30 | 32846.0000 | 4 | Plate |
| | 32860.0000 | 4 | Screw #8-18 x .312" |
| 31 | ----- | 4 | Bottle Adapter (See BOTTLE ADAPTER ASSY) |
| | 32860.0000 | 8 | Screw #8-18 x .312" |
| 32 | 33149.0001 | 1 | Gasket |
| 33 | 11707.1000 | - | Hose, Silicone .25" ID x .50" OD x 12.0" (Use as required) |
| 34 | 32759.1002 | - | Hose .38" ID x .595" OD x 120.0" (Use as required) |
| 35 | 33180.0000 | 1 | Wiring Harness, Platform Rear |
| 36 | 33140.0001 | 1 | Wiring Harness, Dispense Valve |

} Not Illustrated



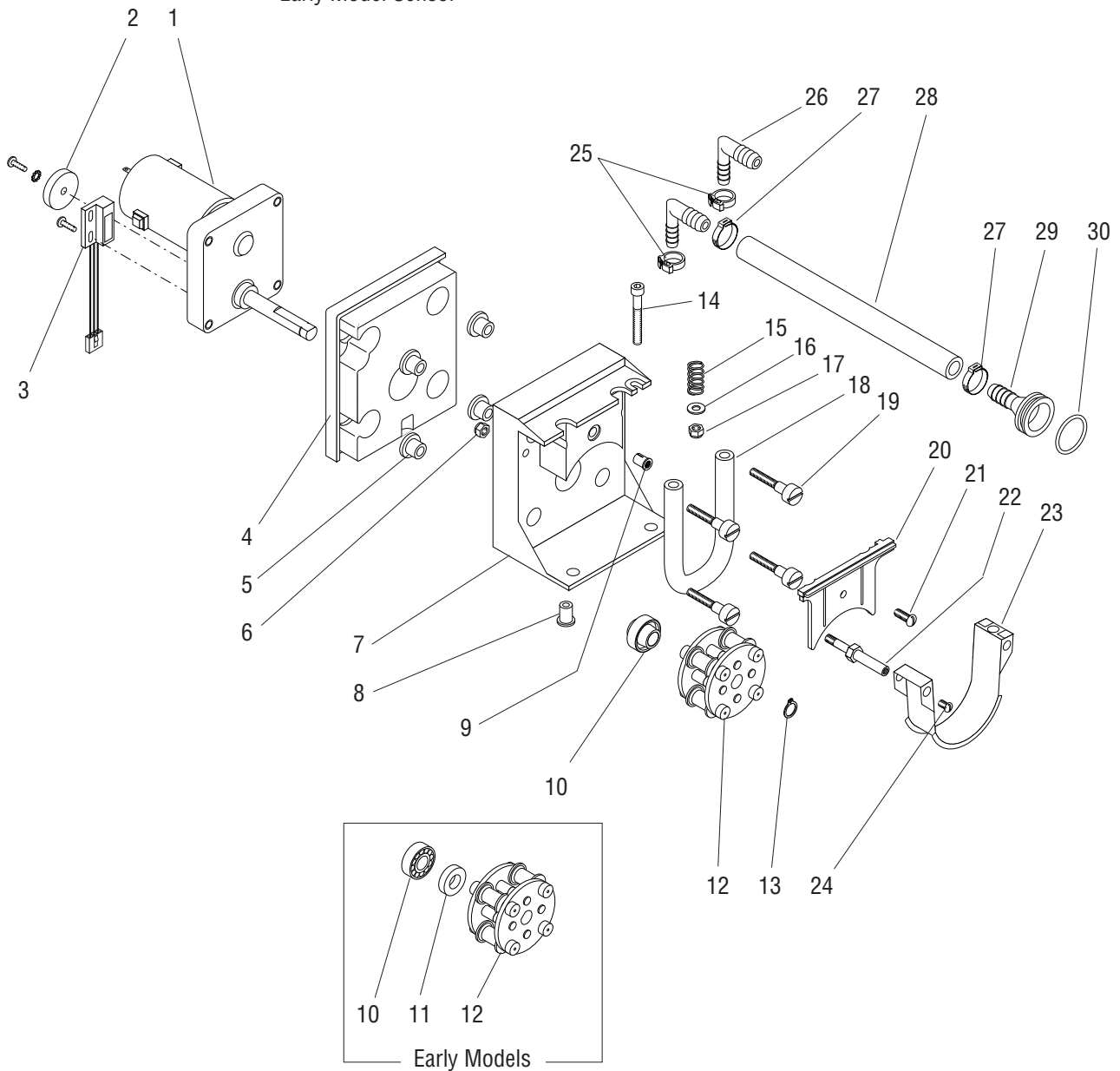
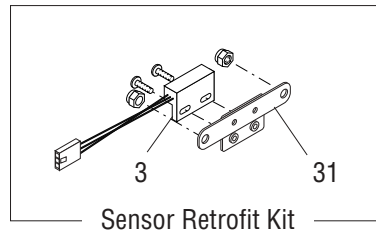
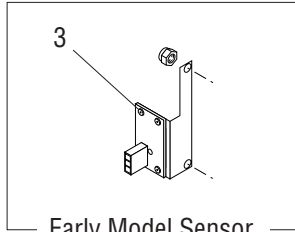
DISPENSE VALVE ASSEMBLY

| ITEM | PART NO. | QTY. | DESCRIPTION |
|------|------------|------|---|
| - | 32755.0000 | 1 | Dispense Valve Assy (Includes items 1 - 23) |
| 1 | 32252.0000 | 1 | Valve, Solenoid (Includes items 2 - 7) |
| 2 | 33554.0000 | 1 | Solenoid Valve Coil |
| 3 | 28481.0000 | 1 | Guide Kit (Includes Guide, Washer and O-ring) |
| 4 | 33585.0000 | 1 | Solenoid Valve Base Kit (Includes O-ring and items 6 & 7) |
| 5 | 01111.0002 | 1 | Solenoid Valve Repair Kit (Includes Plunger, Spring and O-ring) |
| 6 | 33580.0000 | 1 | O-ring |
| 7 | 33553.0000 | 1 | O-ring |
| 8 | 32855.0000 | 1 | Bracket |
| | 32860.0000 | 2 | Screw #8-18 x .312" |
| 9 | 32622.0000 | 1 | Body |
| 10 | 32852.0000 | 1 | O-ring (Also use item 25) |
| 11 | 32603.0000 | 1 | Sleeve |
| 12 | 32602.0000 | 1 | Piston |
| 13 | 33725.0000 | 1 | O-ring (Also use item 25) |
| 14 | 32624.0000 | 1 | Bonnet, Adjuster |
| 15 | 32853.0000 | 1 | Spring, Flow Control |
| 16 | 32851.0000 | 1 | O-ring (Also use item 25) |
| 17 | 32623.0000 | 1 | Adjuster, Position |
| 18 | 32856.0000 | 1 | Bracket |
| | 32860.0000 | 2 | Screw #8-18 x .312" |
| 19 | 33155.0000 | 1 | Bracket, Fitting |
| | 01308.0000 | 1 | Screw #6-32 x .25" |
| 20 | 32849.0001 | 1 | O-ring (Also use item 25) |
| 21 | 32655.0000 | 1 | Fitting, Elbow |
| 22 | 21275.0003 | 1 | Clamp .59 - .66" |
| 23 | - - - - - | 1 | Hose .38" ID x .595" OD x 10.25" (Order item 24) |
| 24 | 32759.1002 | - | Hose .38" ID x .595" OD x 120.0" (Use as required) |
| 25 | M2568.0000 | - | Grease, USDA H-1 (Use when assembling items 10,13,16 & 20) |



PLAIN WATER MANIFOLD

| ITEM | PART NO. | QTY. | DESCRIPTION |
|------|------------|------|--|
| 1 | 32753.0000 | 1 | Elbow |
| 2 | 21275.0000 | 10 | Clamp .52" - .62" |
| 3 | ----- | 2 | Hose .38" ID x .595" OD x 3.0" (Order item 15) |
| 4 | 32749.0000 | 2 | Tee |
| 5 | ----- | 3 | Hose .38" ID x .595" OD x 1.5" (Order item 15) |
| 6 | 32750.0000 | 1 | Tee |
| 7 | ----- | 4 | Hose .25" ID x .44" OD x 1.75" (Order item 16) |
| 8 | 21275.0001 | 10 | Clamp .43 - .48" |
| 9 | 32631.0000 | 4 | Fitting |
| 10 | 32849.0001 | 4 | O-ring |
| 11 | 33151.0000 | 1 | Fitting |
| 12 | 32751.0000 | 1 | Tee |
| 13 | ----- | 1 | Hose .25" ID x .44" OD x 10.25" (Order item 16) |
| 14 | 00425.0000 | 1 | Fitting |
| 15 | 32759.1002 | - | Hose .38" ID x .595" OD x 120.0" (Use as required) |
| 16 | 32745.1002 | - | Hose .25" ID x .44" OD x 120.0" (Use as required) |

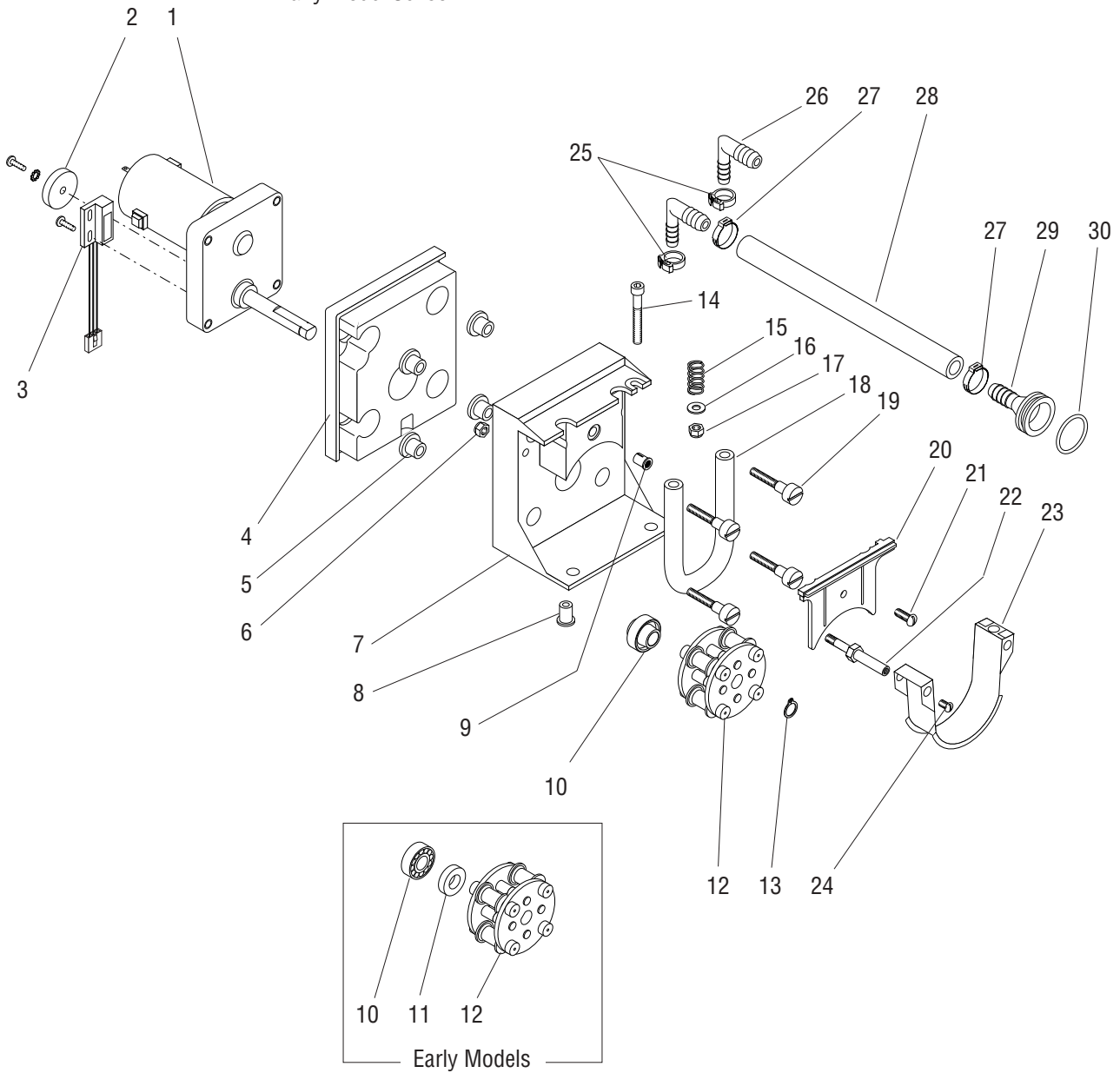
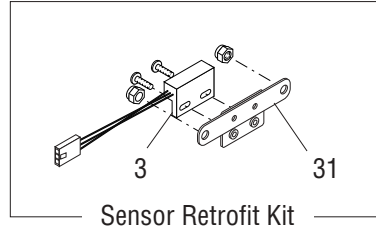
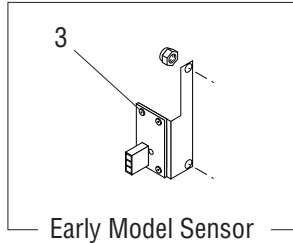


PUMP ASSEMBLY

| ITEM | PART NO. | QTY. | DESCRIPTION |
|------|------------|------|---|
| - | 32711.0000 | 1 | Pump Assy (Includes items 1 - 30) |
| 1 | ----- | 1 | Motor Assy (Early models, order Late model Motor) |
| | ----- | 1 | Motor Assy (Late models. Refer to item 37) |
| 2 | 32654.0000 | 1 | Magnet Hub |
| | 01512.0000 | 1 | Lockwasher, Internal-tooth #10 |
| | 01326.0004 | 1 | Screw, Locking #10-32 x .437" |
| 3 | ----- | 1 | Sensor, RPM |
| | 00971.0000 | 2 | Nut, Keps #10-32 |
| | 33608.0000 | 1 | Sensor, RPM |
| | 02336.0000 | 2 | Screw #4-40 x .38" |
| | | | } Early models, order item 36 |
| | | | } Late models |
| 4 | 33165.0000 | 1 | Gasket |
| 5 | 32957.0000 | 4 | Bushing |
| 6 | 00991.0003 | 1 | Nut, Elastic Lock #10-32 |
| 7 | 32367.1000 | 1 | Mount Assy, Pump (Includes items 8,9 & 10) |
| 8 | 29904.0000 | 1 | Insert, Well Nut #8-32 |
| 9 | ----- | 1 | Insert, Threaded #10-32 |
| 10 | ----- | 1 | Bearing (Early Models) |
| | 33825.0000 | 1 | Bearing, Sleeve (Late Models) |
| 11 | ----- | 1 | Spacer (Early Models)(Order item 10) |
| 12 | 32706.1000 | 1 | Rotor |
| 13 | 32652.0000 | 1 | Retaining Ring |
| 14 | 33295.0000 | 1 | Screw, Socket Head #10-32 x 1.75" |
| 15 | 23918.0001 | 1 | Spring |
| 16 | 01522.0000 | 1 | Washer |
| 17 | 00991.0003 | 1 | Nut, Elastic Lock #10-32 |
| 18 | ----- | 1 | Tube, Neoprene .25" ID x .45" OD x 9.50" (Order item 34 & 35) |
| 19 | 32927.0000 | 4 | Bolt, Shoulder #10-32 |
| 20 | 32914.0000 | 1 | Retainer |
| 21 | 01331.0000 | 1 | Screw #10-32 x .50" |
| 22 | 32609.0000 | 1 | Standoff, Pump Band |
| 23 | 32239.0000 | 1 | Compression Band |
| 24 | 01311.0001 | 1 | Screw, Locking #8-32 x .25" |
| 25 | 32732.0000 | 2 | Clamp |
| 26 | 32656.0000 | 2 | Fitting, Elbow |

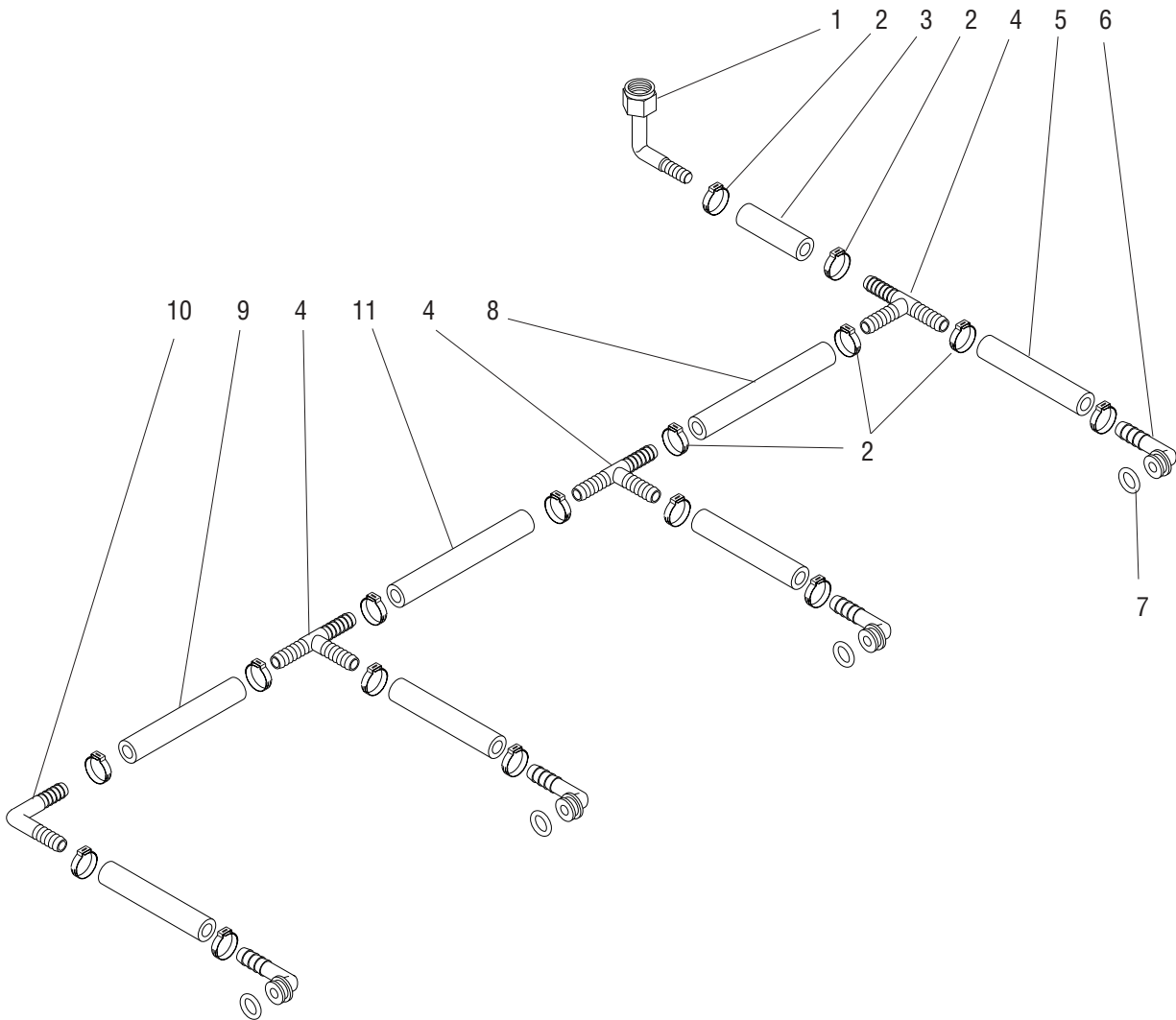
(Continued)

(Continued)



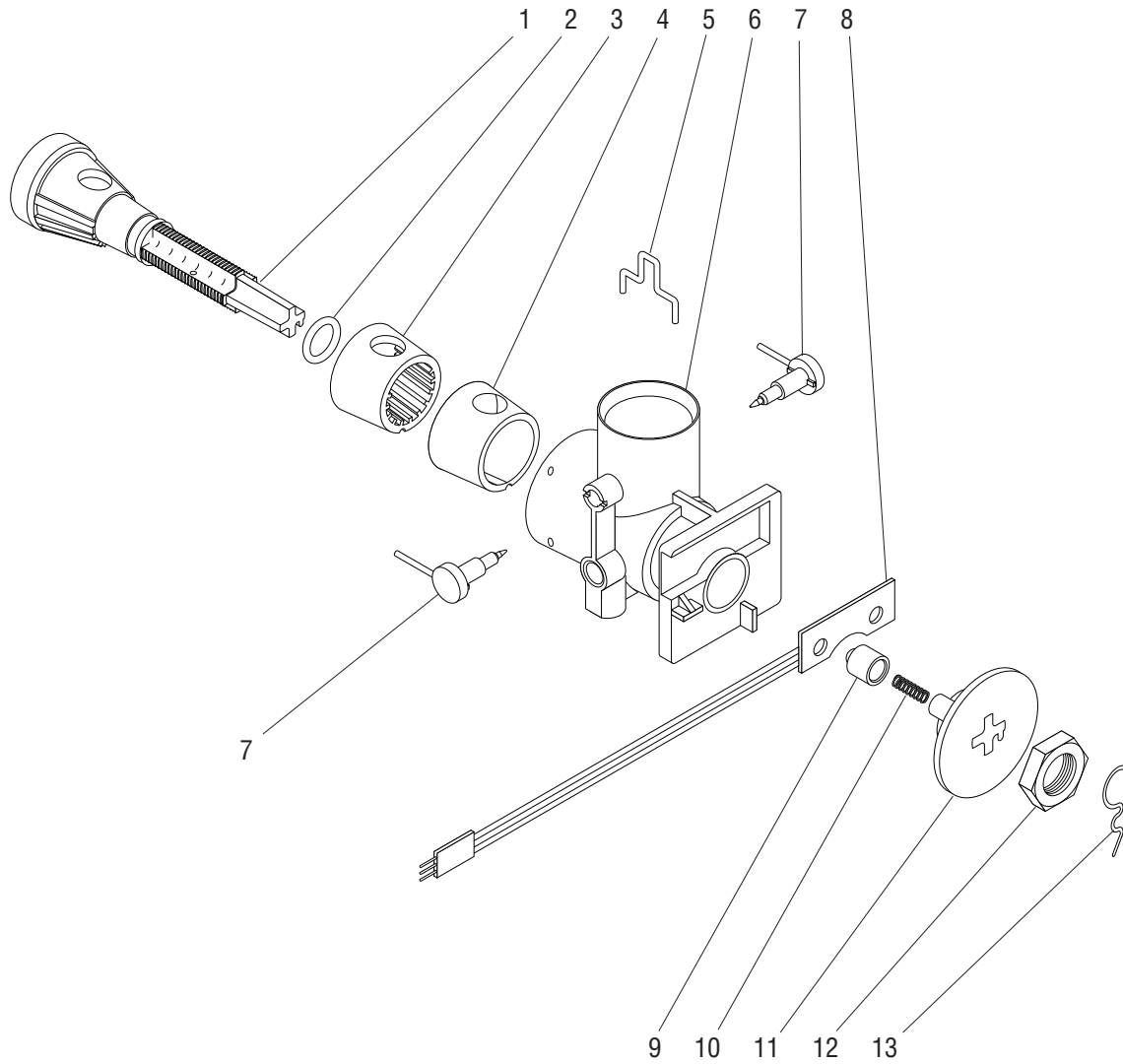
PUMP ASSEMBLY

| ITEM | PART NO. | QTY. | DESCRIPTION |
|------|------------|------|--|
| 27 | 21275.0003 | 2 | Clamp .59 - .66" |
| 28 | ----- | 1 | Hose .38" ID x .595" OD x 7.25" (Order item 33) |
| 29 | 32454.0000 | 1 | Fitting, Bottle Adapter |
| 30 | 34087.0000 | 1 | O-ring (Also use item 32) |
| 31 | 33748.0000 | 1 | Bracket, Sensor Mounting |
| | 00971.0000 | 2 | Nut, Keps #10-32 |
| 32 | M2568.0000 | - | Lubricant (Use when installing item 30) |
| 33 | 32759.1002 | - | Hose .38" ID x .595" OD x 120.0" (Use as required) |
| 34 | 28755.1000 | - | Tube, Neoprene .25" ID x .45" OD x 12.0" (Use as required) |
| | 28755.1001 | - | Tube, Neoprene .25" ID x .45" OD x 36.0" (Use as required) |
| | 28755.1002 | - | Tube, Neoprene .25" ID x .45" OD x 60.0" (Use as required) |
| 35 | M2548.1000 | - | Grease, Krytox .50 oz. (Apply to outside of tube only. Use as required) |
| 36 | 33743.0000 | - | Sensor Retrofit Kit (Includes items 3 & 31)(For mounting late model sensor to early model motor) |
| 37 | 33744.0000 | - | Motor Replacement Kit (Includes items 1,2 3 and mounting hardware) |



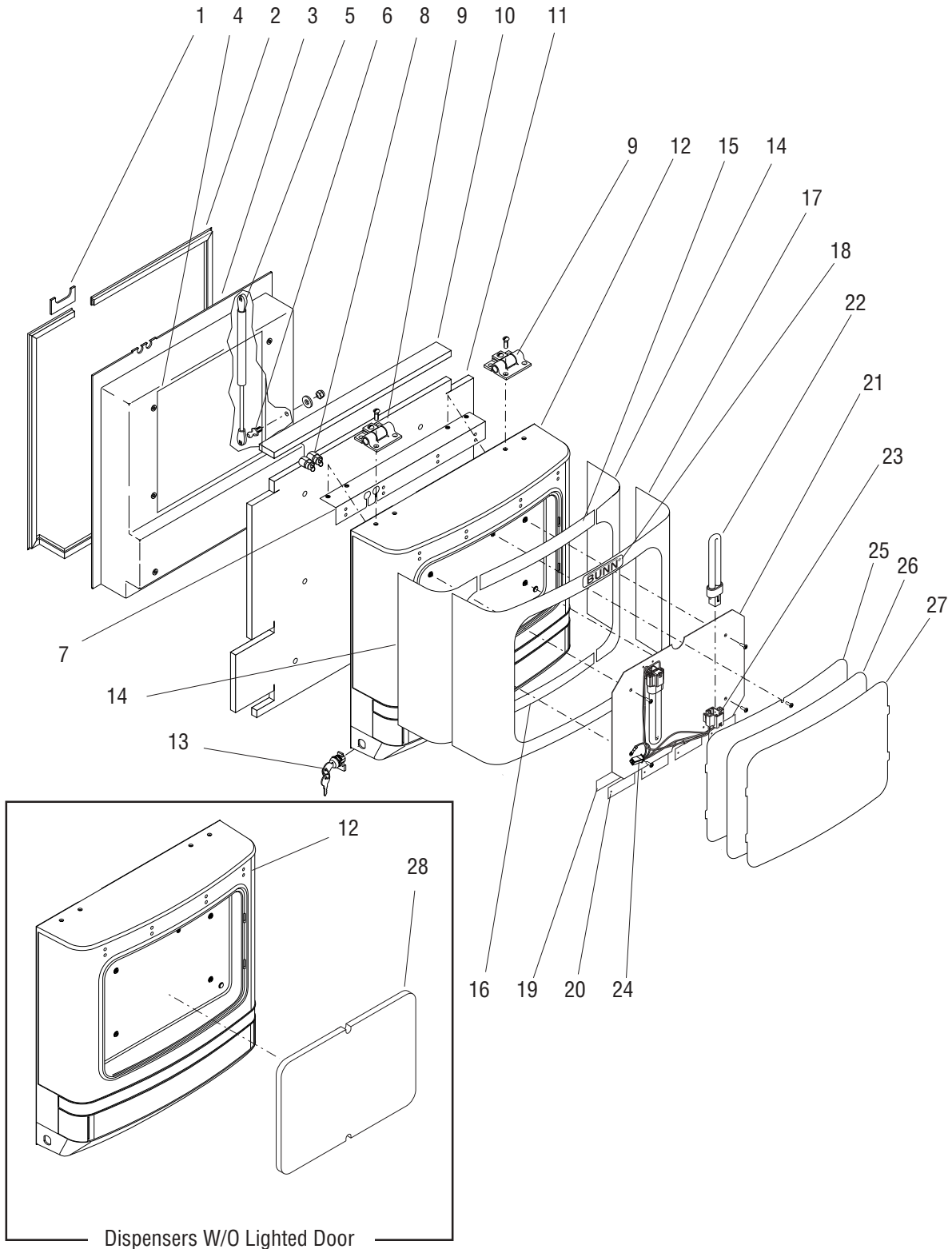
RINSE WATER MANIFOLD

| ITEM | PART NO. | QTY. | DESCRIPTION |
|------|------------|------|---|
| 1 | 33151.0001 | 1 | Fitting, Elbow |
| 2 | 21275.0001 | 16 | Clamp .43 - .48" |
| 3 | ----- | 1 | Hose .25" ID x .44" OD x 1.50" (Order item 12) |
| 4 | 32760.0000 | 3 | Tee |
| 5 | ----- | 4 | Hose .25" ID x .44" OD x 2.50" (Order item 12) |
| 6 | 32463.0000 | 4 | Fitting, Elbow |
| 7 | 32849.0001 | 4 | O-ring |
| 8 | ----- | 1 | Hose .25" ID x .44" OD x 3.25" (Order item 12) |
| 9 | ----- | 1 | Hose .25" ID x .44" OD x 2.75" (Order item 12) |
| 10 | 32761.0000 | 1 | Elbow |
| 11 | ----- | 1 | Hose .25" ID x .44" OD x 3.25" (Order item 12)(First type; models with 4 same size flavor bottles) |
| | ----- | 1 | Hose .25" ID x .44" OD x 2.25" (Order item 12)(Second type; models with 2 large & 2 small flavor bottles) |
| 12 | 32745.1002 | - | Hose .25" ID x .44" OD x 120.0" (Use as required) |



BOTTLE ADAPTER ASSEMBLY

| ITEM | PART NO. | QTY. | DESCRIPTION |
|------|------------|------|---|
| - | 32756.0000 | 1 | Adapter Assy, Bottle (Includes items 1 - 23) |
| 1 | 32456.0000 | 1 | Spool |
| 2 | 12774.0001 | 1 | O-ring |
| 3 | 32625.0000 | 1 | Seal, Rotary |
| 4 | 33515.0000 | 1 | Boot, Teflon (Also order item 14) |
| 5 | ----- | 1 | Opener (Order item 6) |
| 6 | 32453.1000 | 1 | Body Assy. (Includes items 5 & 7) |
| 7 | ----- | 2 | Probe (Order item 6) |
| 8 | 33039.0000 | 1 | Switch, Membrane |
| 9 | 32663.0000 | 1 | Detent, Membrane Switch |
| 10 | 33042.0000 | 1 | Spring |
| 11 | 32469.0000 | 1 | Plate, Detent |
| 12 | 00942.0002 | 1 | Nut, Brass w/Tin Plate .50-20" |
| 13 | 21358.0000 | 1 | Clip, Retainer |
| 14 | M2568.0000 | - | Grease, USDA H-1 (Use when installing item 4) |



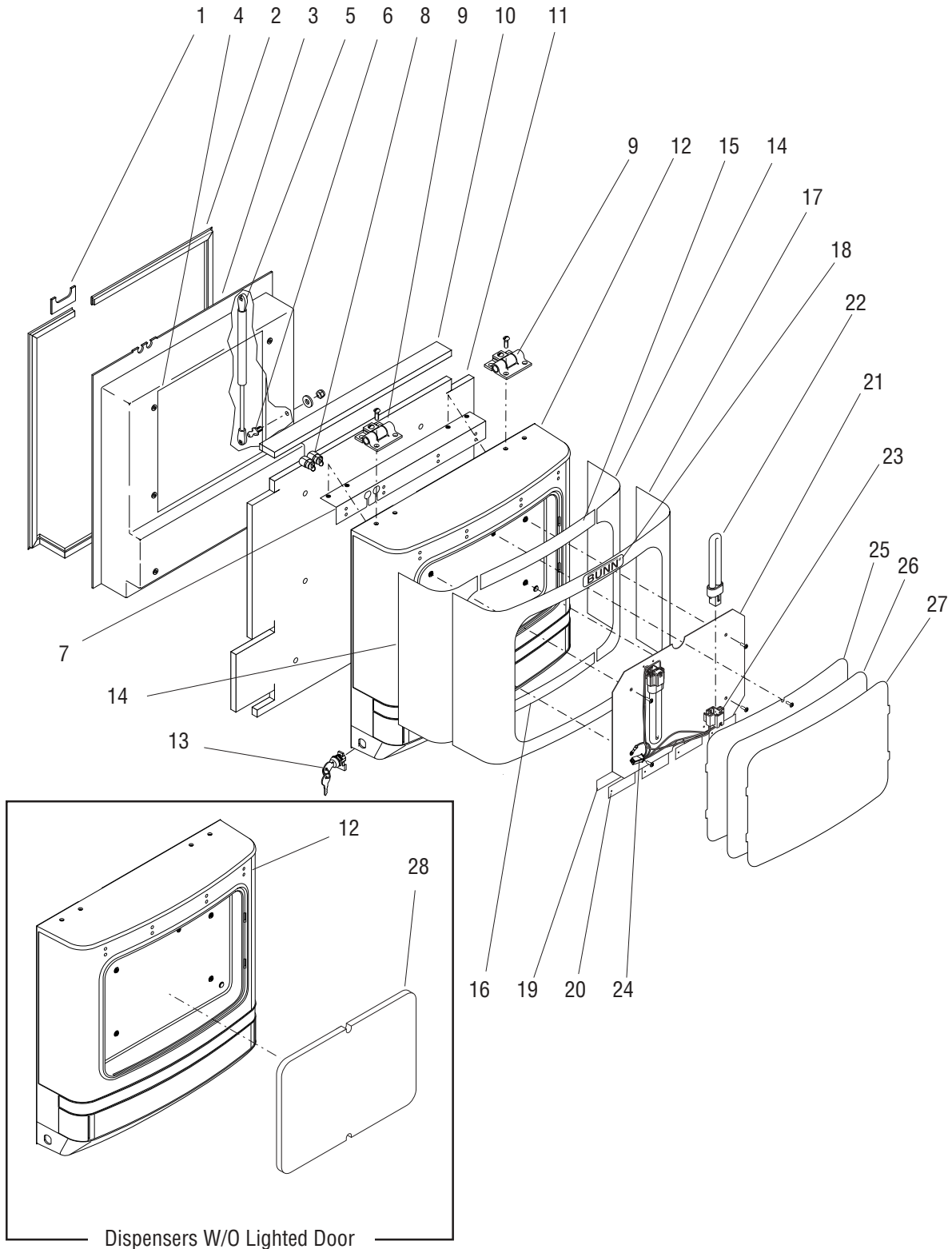
DOOR ASSEMBLY

| ITEM | PART NO. | QTY. | DESCRIPTION |
|------|------------|------|---|
| - | 33103.1000 | | Door Assy, Push Button, Lited (Includes items 1 - 27 and Membrane Switch) |
| - | 33103.1001 | | Door Assy, Portion Control, Lited (Includes items 1 - 27 and Membrane Switch) |
| - | 33103.1002 | | Door Assy, Push Button, Unlited (Includes items 1 - 20, 25 - 28, and Membrane Switch) |
| - | 33103.1003 | | Door Assy, Portion Control, Unlited (Includes items 1 - 20, 25 - 28, and Membrane Switch) |
| 1 | 32620.0001 | 1 | Gasket |
| 2 | 32620.0000 | 1 | Gasket |
| 3 | 32619.1000 | 1 | Panel, Inside (Includes item 4, 10 & 11) |
| | 24544.0000 | 6 | Screw #8-18 |
| 4 | 33463.0000 | 1 | Decal, Brixing & Cleaning |
| 5 | 33111.0000 | 1 | Gas Spring |
| 6 | 33108.0000 | 1 | Stud, Ball |
| | 21365.0000 | 1 | Washer |
| | 00987.0000 | 1 | Nut, Elastic Lock .312"-18 |
| 7 | 32633.0000 | 1 | Angle, Hinge |
| | 24544.0000 | 8 | Screw #8-18 |
| 8 | 00707.0001 | 2 | Bushing, Strain Relief |
| 9 | 32812.0000 | 2 | Hinge |
| | 33045.0000 | 8 | Screw, BLK .25"-20 x .75" |
| 10 | 33719.0001 | 1 | Insulation, Top (Refer to item 3) |
| 11 | 33719.0000 | 1 | Insulation (Refer to item 3) |
| 12 | 32618.1000 | 1 | Cover, Front (Includes items 14 thru 19) |
| 13 | 32863.0000 | 1 | Keylock w/Keys |
| 14 | ----- | 2 | Pad, Adhesive (Order item 12) |
| 15 | ----- | 1 | Pad, Adhesive (Order item 12) |
| 16 | ----- | 1 | Pad, Adhesive (Order item 12) |
| 17 | ----- | 1 | Cover (Order item 12) |
| 18 | 33597.0000 | 1 | Decal "BUNN" |
| 19 | ----- | 4 | Strip, Flavor (Order item 12) |
| 20 | 33704.0001 | 4 | Flavor Strips |
| 21 | 32581.0000 | 1 | Panel, Reflector |
| | 24544.0000 | 4 | Screw #8-18 |
| 22 | 32806.0000 | 2 | Lamp |
| 23 | 32807.0001 | 2 | Holder, Lamp |
| 24 | 33208.0000 | 1 | Wiring Harness |
| 25 | 32813.0000 | 1 | Lens, Fixed |
| 26 | ----- | 1 | Graphics, Merchandiser (Not serviced) |

} Dispensers with lighted door only

(Continued)

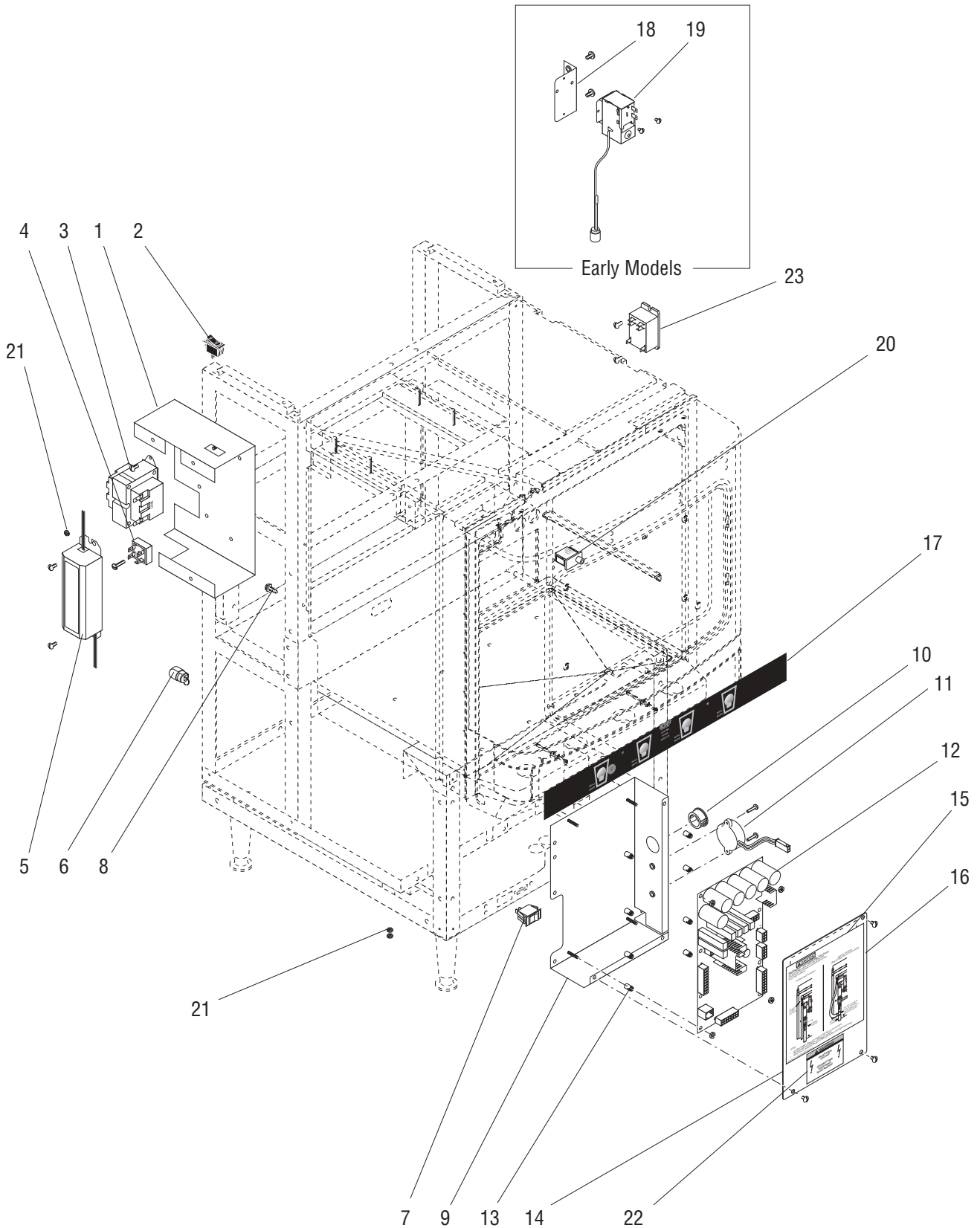
(Continued)



DOOR ASSEMBLY

| ITEM | PART NO. | QTY. | DESCRIPTION |
|------|------------|------|--|
| 27 | 32814.0000 | 1 | Lens, Removable |
| 28 | 33993.0000 | 1 | Foam, Insulation (Dispensers without lighted door) |
| 29 | 32808.0000 | 1 | Wiring Harness, Door Light |
| 30 | 33046.0000 | 1 | Wiring Harness, Touch Pad |
| 31 | 32861.0000 | 1 | Decal, Flavors |

} Not Illustrated

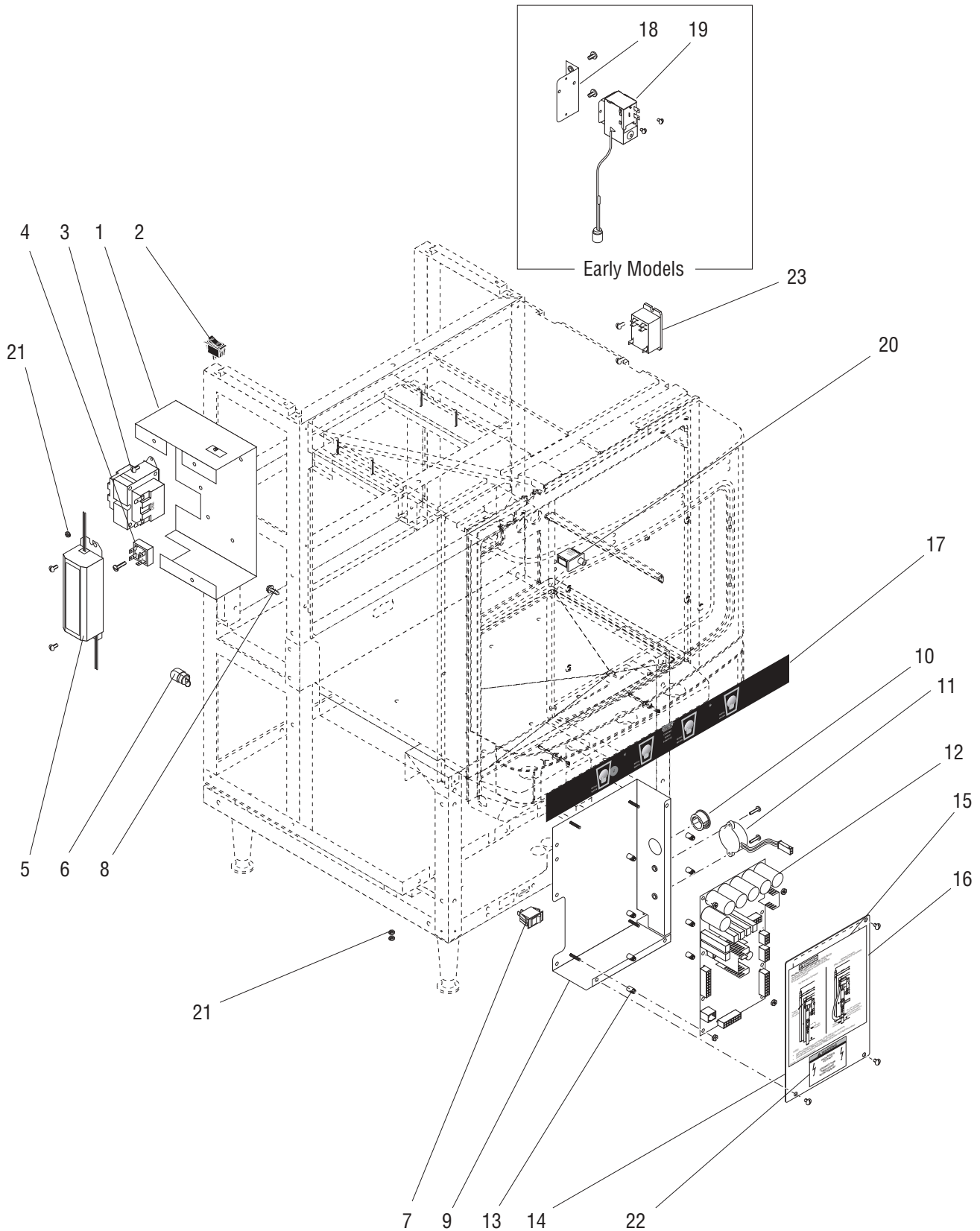


ELECTRICAL COMPONENTS

| ITEM | PART NO. | QTY. | DESCRIPTION | |
|------|------------|------|--|----------------|
| 1 | 32491.0000 | 1 | Bracket | |
| | 01315.0000 | 3 | Screw #8-32 x .38" | |
| 2 | 04786.0003 | 1 | Switch, Refrigeration ON/OFF | |
| 3 | 32824.0001 | 1 | Transformer | |
| | 01315.0000 | 2 | Screw #8-32 x .38" | |
| 4 | 22126.0000 | 1 | Rectifier | |
| | 01370.0000 | 1 | Screw #8-32 x .75" | |
| 5 | 33261.0000 | 1 | Ballast (Dispensers with lighted door only) | |
| | 01315.0000 | 2 | Screw #8-32 x .38" | |
| 6 | 00707.0000 | 1 | Bushing, Strain Relief | |
| 7 | 01063.0000 | 1 | Switch, Sanitize | |
| 8 | 01309.0000 | 1 | Screw, Grounding | |
| 9 | 32585.0000 | 1 | Bracket | |
| | 01311.0000 | 3 | Screw #8-32 x .25" | |
| 10 | 01592.0000 | 1 | Bushing | |
| 11 | 33147.0000 | 1 | Indicator, Audio | |
| | 01382.0000 | 2 | Screw #6-32 x .38" | |
| 12 | 32673.0001 | 1 | PC Board | |
| | 00973.0000 | 4 | Nut, Keps #6-32 | |
| 13 | 29081.0000 | 8 | Spacer | |
| 14 | 33145.1000 | 1 | Cover Assy (Includes items 15, 16 & 22) | |
| | 01311.0000 | 3 | Screw #8-32 x .25" | |
| 15 | 33647.0000 | 1 | Decal, Dip Switch | |
| 16 | 33648.0000 | 1 | Decal, Plumbing | |
| 17 | 32660.0000 | 1 | Switch, Membrane (Push Button models) | |
| | 32661.0000 | 1 | Switch, Membrane (Portion Control models) | |
| 18 | 32866.0000 | 1 | Bracket | } Early Models |
| | 02331.0000 | 2 | Screw #10-32 x .38" | |
| 19 | 32826.0000 | 1 | Ice Bank Control | |
| | 01308.0002 | 2 | Screw, Locking #6-32 x .25" | |
| 20 | 32841.0000 | 1 | Switch, Door Open | |
| 21 | 00970.0000 | 3 | Nut, Grounding | |
| 22 | 12559.0003 | 1 | Decal, Warning - Hazardous Voltage | |
| 23 | 25948.0000 | 1 | Relay | |
| | 01315.0000 | 2 | Screw, Truss Head #8-32 x .38" (Late Models) | |

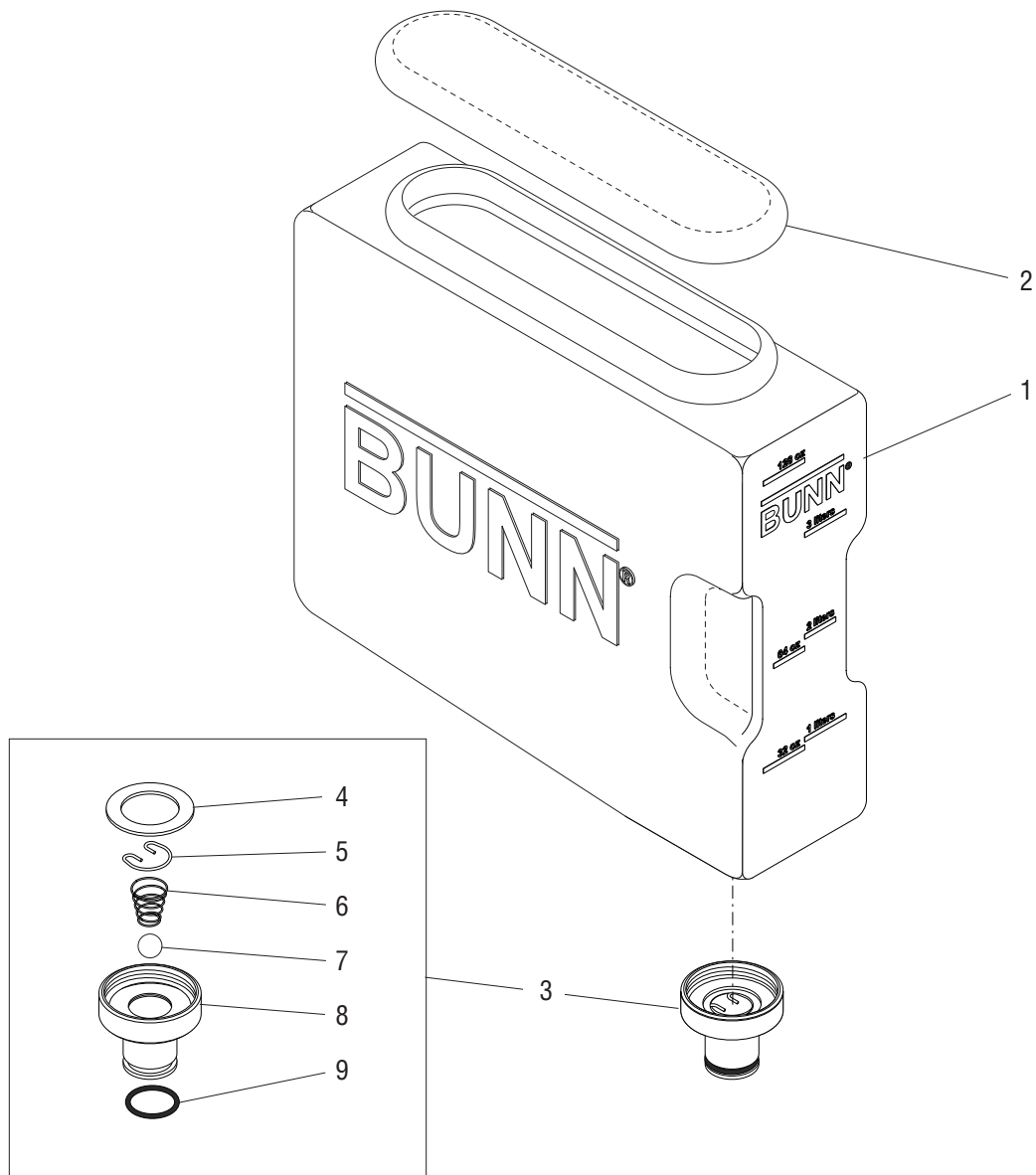
(Continued)

(Continued)



ELECTRICAL COMPONENTS

| ITEM | PART NO. | QTY. | DESCRIPTION |
|--|------------|------|-----------------------------|
| The following items are not illustrated: | | | |
| 24 | 20630.0007 | 1 | Power Cord |
| 25 | 33096.0001 | 1 | Wiring Harness, Main |
| 26 | 33101.0000 | 1 | Wiring Harness, Compressor |
| 27 | 33547.0000 | 1 | Wiring Harness, Water Bath |
| 28 | 33115.0000 | 1 | Wiring Harness, Cabinet Fan |
| 29 | 00617.0000 | - | Wire Tie (Use as required) |



REFILLABLE CONTAINER ASSEMBLY

| ITEM | PART NO. | QTY. | DESCRIPTION |
|------|------------|------|-------------------------------------|
| - | 33931.0000 | 1 | Container Assy (Includes items 1-9) |
| 1 | 32167.0000 | 1 | Container w/Lid (Includes item 2) |
| 2 | ----- | 1 | Lid (Order item 1) |
| 3 | 33953.0000 | 1 | Fitting Assy (Includes items 4-9) |
| 4 | 32165.0000 | 1 | Gasket |
| 5 | 32166.0000 | 1 | Retaining Clip |
| 6 | 32877.0000 | 1 | Spring |
| 7 | 00598.0002 | 1 | Ball |
| 8 | 32168.0000 | 1 | Fitting |
| 9 | 33725.0001 | 1 | O-ring |

NUMERICAL INDEX

| PART NO. | PAGE NO. | PART NO. | PAGE NO. | PART NO. | PAGE NO. | PART NO. | PAGE NO. |
|------------|-----------|------------|-------------|------------|----------|------------|----------|
| 00402.0001 | 15 | 02536.0000 | 11 | 29081.0000 | 45 | 32603.0000 | 29 |
| 00403.0002 | 15 | 02645.1000 | 11 | 29327.0000 | 11 | 32609.0000 | 33 |
| 00406.0001 | 25 | 03996.0000 | 5 | 29819.1000 | 5 | 32616.1000 | 11 |
| 00425.0000 | 31 | 04623.0001 | 25 | 29828.0000 | 5 | 32618.1000 | 41 |
| 00441.0000 | 17 | 04786.0003 | 45 | 29904.0000 | 33 | 32619.1000 | 41 |
| 00442.0001 | 17 | 11707.1000 | 17,27 | 29985.0000 | 11 | 32620.0000 | 41 |
| 00456.0001 | 25 | 11707.1001 | 17 | 29988.0000 | 11 | 32620.0001 | 41 |
| 00464.0001 | 25 | 11707.1002 | 17 | 29988.0001 | 11 | 32621.0000 | 7 |
| 00510.0001 | 17 | 12155.0003 | 15 | 29988.0002 | 11 | 32622.0000 | 29 |
| 00510.0002 | 17 | 12422.0005 | 13 | 32009.1000 | 5 | 32623.0000 | 29 |
| 00598.0002 | 49 | 12559.0003 | 45 | 32147.1000 | 7 | 32624.0000 | 29 |
| 00617.0000 | 11,47 | 12570.0000 | 11 | 32155.0000 | 19 | 32625.0000 | 39 |
| 00619.0000 | 9 | 12774.0001 | 39 | 32165.0000 | 49 | 32631.0000 | 31 |
| 00656.0000 | 15 | 13255.0003 | 5 | 32166.0000 | 49 | 32633.0000 | 41 |
| 00668.0000 | 5 | 20201.4300 | 15 | 32167.0000 | 49 | 32635.0000 | 5 |
| 00707.0000 | 45 | 20203.0100 | 11 | 32168.0000 | 49 | 32652.0000 | 33 |
| 00707.0001 | 41 | 20630.0007 | 47 | 32203.0000 | 19 | 32654.0000 | 33 |
| 00908.0000 | 11 | 20976.1000 | 13 | 32204.0000 | 21 | 32655.0000 | 29 |
| 00927.0000 | 19 | 20976.1001 | 13 | 32211.0000 | 19 | 32656.0000 | 11,33 |
| 00929.0001 | 25 | 20976.1002 | 13 | 32239.0000 | 33 | 32660.0000 | 45 |
| 00942.0002 | 39 | 21195.0001 | 17 | 32252.0000 | 29 | 32661.0000 | 45 |
| 00970.0000 | 45 | 21275.0000 | 31 | 32360.0001 | 15 | 32663.0000 | 39 |
| 00971.0000 | 33,35 | 21275.0001 | 11,17,31,37 | 32367.1000 | 33 | 32673.0001 | 45 |
| 00973.0000 | 45 | 21275.0003 | 9,13,15,25 | 32369.0000 | 7 | 32706.1000 | 33 |
| 00986.0002 | 5 | 21275.0003 | 29,35 | 32378.0000 | 11 | 32711.0000 | 33 |
| 00987.0000 | 41 | 21358.0000 | 39 | 32443.0000 | 7 | 32732.0000 | 33 |
| 00991.0000 | 27 | 21365.0000 | 41 | 32444.0000 | 11 | 32734.0000 | 11 |
| 00991.0003 | 33 | 21431.0003 | 19 | 32446.1000 | 7 | 32734.0001 | 11 |
| 01063.0000 | 45 | 21634.0002 | 25 | 32446.1001 | 7 | 32736.1000 | 25 |
| 01085.0002 | 15 | 22126.0000 | 45 | 32448.1000 | 7 | 32745.1002 | 17,31,37 |
| 01111.0002 | 15,25,29 | 22397.0001 | 25 | 32450.0000 | 5 | 32749.0000 | 31 |
| 01308.0000 | 29 | 23700.0000 | 19 | 32453.1000 | 39 | 32750.0000 | 31 |
| 01308.0002 | 25,45 | 23720.1000 | 11 | 32454.0000 | 35 | 32751.0000 | 31 |
| 01309.0000 | 45 | 23721.0000 | 11 | 32455.0000 | 9 | 32753.0000 | 31 |
| 01311.0000 | 15,19,45 | 23723.0000 | 11 | 32456.0000 | 39 | 32755.0000 | 29 |
| 01311.0001 | 25,33 | 23918.0001 | 33 | 32458.0000 | 27 | 32756.0000 | 39 |
| 01315.0000 | 5,7,45 | 24374.0000 | 13 | 32461.0000 | 7 | 32757.0000 | 25 |
| 01317.0000 | 11 | 24544.0000 | 7,41 | 32463.0000 | 37 | 32759.1002 | 9,17,27 |
| 01326.0002 | 25 | 25948.0000 | 45 | 32467.1000 | 7 | 32759.1002 | 29,31,35 |
| 01326.0004 | 5,7,13,33 | 26528.0000 | 5 | 32469.0000 | 39 | 32760.0000 | 37 |
| 01327.0000 | 15 | 27243.0000 | 21 | 32474.0000 | 5 | 32761.0000 | 37 |
| 01331.0000 | 33 | 27246.0000 | 9 | 32477.0000 | 5 | 32762.0000 | 25 |
| 01338.0000 | 27 | 27257.0000 | 21 | 32479.0000 | 5 | 32763.0000 | 7 |
| 01345.0000 | 7 | 27258.0000 | 21 | 32481.1000 | 5 | 32776.0001 | 19 |
| 01370.0000 | 45 | 27354.0000 | 5 | 32489.1000 | 5 | 32777.0000 | 19 |
| 01382.0000 | 7,45 | 27394.0000 | 7 | 32491.0000 | 45 | 32778.0000 | 23 |
| 01501.0000 | 11 | 27410.0000 | 15 | 32539.0000 | 25 | 32805.0000 | 7 |
| 01512.0000 | 33 | 27442.0000 | 5 | 32581.0000 | 41 | 32806.0000 | 41 |
| 01522.0000 | 27,33 | 28479.0000 | 15 | 32583.0000 | 11 | 32807.0001 | 41 |
| 01592.0000 | 45 | 28480.0000 | 15 | 32585.0000 | 45 | 32808.0000 | 43 |
| 01663.0000 | 7 | 28481.0000 | 15,25,29 | 32587.0001 | 15 | 32812.0000 | 41 |
| 02331.0000 | 45 | 28567.0000 | 19 | 32590.0000 | 15 | 32813.0000 | 41 |
| 02331.0001 | 5 | 28755.1000 | 35 | 32594.0000 | 7 | 32814.0000 | 43 |
| 02332.0002 | 19,21 | 28755.1001 | 35 | 32599.0000 | 7 | 32824.0001 | 45 |
| 02336.0000 | 33 | 28755.1002 | 35 | 32602.0000 | 29 | 32826.0000 | 45 |

NUMERICAL INDEX

| PART NO. | PAGE NO. | PART NO. | PAGE NO. | PART NO. | PAGE NO. | PART NO. | PAGE NO. |
|------------|-------------|------------|----------|------------|------------|----------|----------|
| 32837.1000 | 11 | 33150.0000 | 9,11,17 | 33603.0000 | 21 | | |
| 32841.0000 | 45 | 33151.0000 | 17,31 | 33608.0000 | 33 | | |
| 32846.0000 | 27 | 33151.0001 | 15,37 | 33623.0000 | 13 | | |
| 32848.0000 | 7 | 33151.0002 | 15 | 33645.0000 | 15 | | |
| 32849.0001 | 9,29,31,37 | 33152.0000 | 15 | 33646.0000 | 15 | | |
| 32851.0000 | 29 | 33153.0000 | 17 | 33647.0000 | 45 | | |
| 32852.0000 | 29 | 33155.0000 | 29 | 33648.0000 | 45 | | |
| 32853.0000 | 29 | 33156.0000 | 5 | 33685.0000 | 13 | | |
| 32855.0000 | 29 | 33165.0000 | 33 | 33686.0000 | 9,11,17 | | |
| 32856.0000 | 29 | 33172.0000 | 7 | 33704.0001 | 41 | | |
| 32857.0000 | 25 | 33180.0000 | 27 | 33707.0000 | 13 | | |
| 32858.0000 | 7 | 33208.0000 | 41 | 33719.0000 | 41 | | |
| 32860.0000 | 25,27,29 | 33217.0000 | 5 | 33719.0001 | 41 | | |
| 32861.0000 | 43 | 33224.0000 | 11 | 33725.0000 | 29 | | |
| 32863.0000 | 41 | 33261.0000 | 45 | 33725.0001 | 49 | | |
| 32866.0000 | 45 | 33263.0000 | 13 | 33743.0000 | 35 | | |
| 32877.0000 | 49 | 33283.0000 | 5 | 33744.0000 | 35 | | |
| 32914.0000 | 33 | 33295.0000 | 33 | 33748.0000 | 35 | | |
| 32927.0000 | 33 | 33297.0000 | 7 | 33754.0000 | 23 | | |
| 32948.1000 | 9 | 33299.0000 | 13,25 | 33755.0000 | 23 | | |
| 32951.0000 | 25 | 33323.1000 | 11 | 33756.0000 | 23 | | |
| 32957.0000 | 33 | 33225.1000 | 11 | 33757.0000 | 23 | | |
| 32957.0001 | 25 | 33226.1000 | 11 | 33758.0000 | 23 | | |
| 32974.0001 | 15 | 33328.0000 | 13 | 33759.0000 | 23 | | |
| 33039.0000 | 39 | 33457.0000 | 9 | 33762.0000 | 23 | | |
| 33042.0000 | 39 | 33458.0000 | 5 | 33774.0000 | 27 | | |
| 33045.0000 | 41 | 33459.0000 | 7 | 33801.0000 | 11 | | |
| 33046.0000 | 43 | 33459.0001 | 7 | 33825.0000 | 33 | | |
| 33048.1000 | 5 | 33459.0002 | 7 | 33931.0000 | 49 | | |
| 33050.0000 | 11 | 33460.0000 | 5 | 33953.0000 | 49 | | |
| 33052.0000 | 7 | 33461.0000 | 5 | 33993.0000 | 43 | | |
| 33053.0000 | 7 | 33462.0000 | 17 | 34087.0000 | 35 | | |
| 33067.0001 | 13 | 33462.0001 | 15 | M2548.1000 | 35 | | |
| 33068.0000 | 13 | 33462.0002 | 9 | M2568.0000 | 9,29,35,39 | | |
| 33096.0001 | 47 | 33462.0003 | 9 | | | | |
| 33101.0000 | 47 | 33462.0004 | 9 | | | | |
| 33102.0001 | 19 | 33463.0000 | 41 | | | | |
| 33103.1000 | 41 | 33465.0000 | 5 | | | | |
| 33103.1001 | 41 | 33466.0000 | 15 | | | | |
| 33103.1002 | 41 | 33467.0000 | 17 | | | | |
| 33103.1003 | 41 | 33499.0000 | 13 | | | | |
| 33104.0001 | 19 | 33508.0000 | 27 | | | | |
| 33105.0000 | 19 | 33511.0000 | 9 | | | | |
| 33108.0000 | 41 | 33515.0000 | 39 | | | | |
| 33111.0000 | 41 | 33516.0000 | 7 | | | | |
| 33112.0001 | 19 | 33547.0000 | 47 | | | | |
| 33113.0000 | 15 | 33553.0000 | 29 | | | | |
| 33114.0000 | 17 | 33554.0000 | 29 | | | | |
| 33115.0000 | 47 | 33580.0000 | 29 | | | | |
| 33140.0001 | 27 | 33582.0000 | 25 | | | | |
| 33145.1000 | 45 | 33585.0000 | 29 | | | | |
| 33147.0000 | 45 | 33587.0000 | 25 | | | | |
| 33148.0000 | 25 | 33597.0000 | 41 | | | | |
| 33149.0000 | 11,17 | 33601.0000 | 21 | | | | |
| 33149.0001 | 13,15,25,27 | 33602.0000 | 21 | | | | |