

**FETCO HOT WATER DISPENSER SERIES HWB-5, HWB-10, HWB-15, HWB-25
LEGACY Commercial Hot Water Boilers Including IP44**



FETCO HWB-5;HWB-10;HWB-15;HWB-25

LEGACY® line of Commercial Hot Water Dispensers

- Stainless Steel Construction - Durable and Easy to Clean
- Thermally Insulated Hot Water Tank for Energy Savings and Increased Worker Safety
- Easy to Install, Adjust and Service
- Fully Automatic Water Heater with Digital Controls for Controlled Refill and No Recovery Time

- Perfect for High Volume Hot Water Dispensing:
- BOH Kitchen Use
 - Cafes and Tea Houses
 - Hospitality / Volume Hot Beverage Production
 - Beer & Kombucha Breweries

CONTACT INFORMATION

FETCO® FOOD EQUIPMENT TECHNOLOGIES COMPANY
600 ROSE ROAD
LAKE ZURICH • IL • 60047-0429 • USA
INTERNET: www.fetco.com



©2008-2021 FOOD EQUIPMENT TECHNOLOGIES COMPANY
PATENTS: https://www.fetco.com/pl_pages_patents_74.html

PHONE: (800) 338-2699 (US & CANADA)
(847) 719-3000 (All Countries)
FAX: (847) 719-3001
EMAIL: sales@fetco.com
orders@fetco.com (to order parts and equipment)
techsupport@fetco.com (all service queries)
Revised November 2021 P112



HOT WATER DISPENSER SERIES HWB-5, HWB-10, HWB-15, HWB-25

TABLE OF CONTENTS

Specifications and Requirements	2	Programming Instructions	6
Rough-In Drawings	2	Setting bias for pure water.	7
Capacities and Measurements	2	Operator Training	7
Electrical Rating Chart	3	Cleaning & Maintenance	7
Installation	4	Parts diagrams	9
Installation-power connection	5	Wiring diagrams	25
Operating Procedures	5		

Specifications and Requirements

Water Requirements:

HWB-2000 20-75 psig, (138-517kPa) 0.75gpm/(2.8 lpm)

Water supplied to hot beverage equipment should be filtered

Water supplied Hardness >100 TDS (5.5 grain)

Water inlet fitting: 3/8 inch male flare.

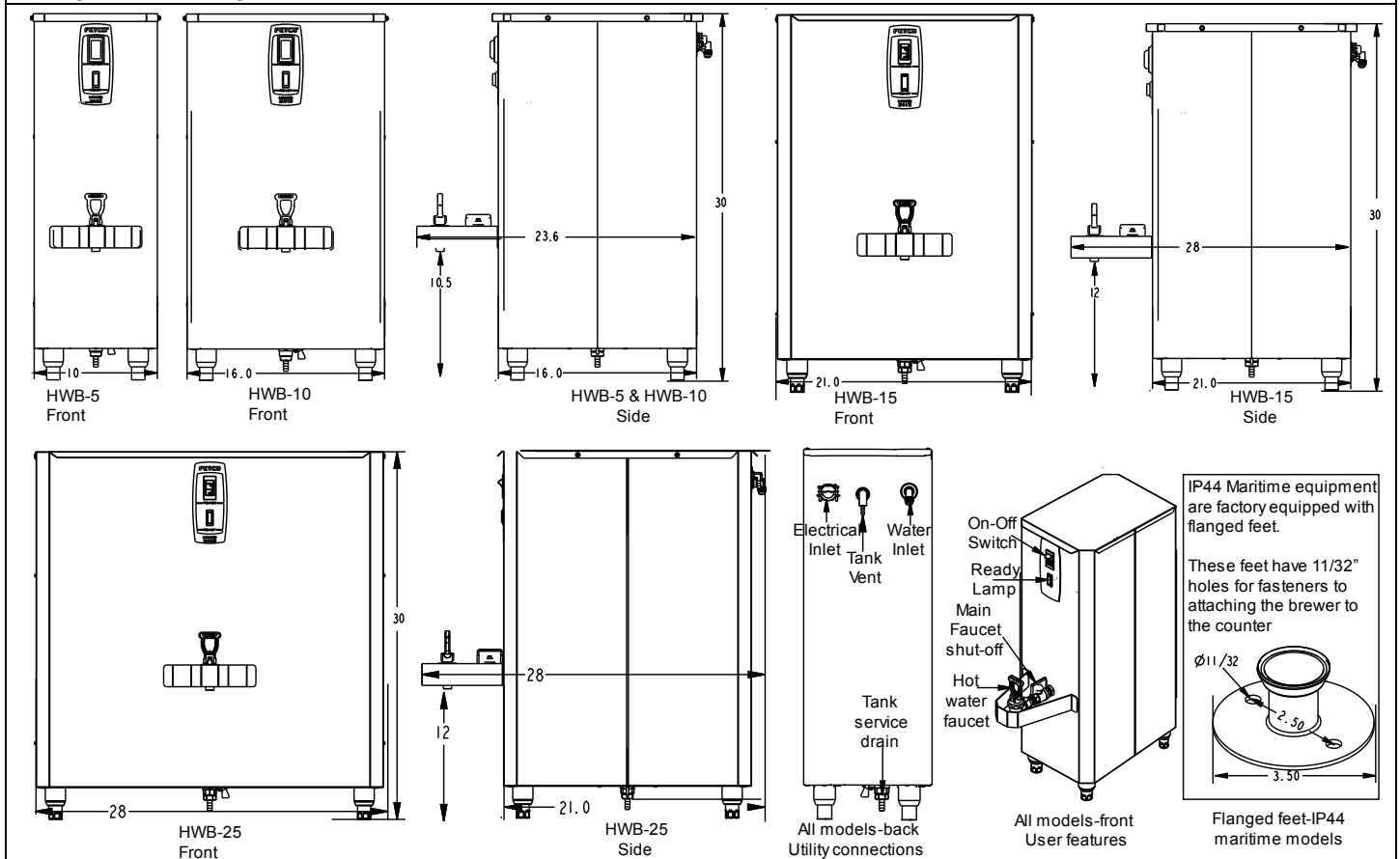
Dispense Volume: Software controls flowrate so that water dispensed is at programmed temperature.

Temperature, as set by factory:

200°F (93°C) inside water tank (at sea level)

Electrical: See electrical configuration chart.

Rough-In Drawings



NOTES

- Model designation indicates minimum flow rate per hour, e.g. HWB-5 is five gallons per hour
- All utility connections are from back of equipment. All electrical and water utility connections per local codes.
- Tank service drain (at bottom) must not be plumbed. It is for service or to drain tank to relocate equipment
- Tank vent must never be obstructed. It is for normalization of hot water tank pressure to fill and dispense water. The hot water tank is not pressurized - it is an atmospheric hot water dispense system. If a condensate drain is desired: use heavy wall or rigid tubing with a minimum 3/8 inch ID. Do not plumb to drain-leave a minimum 12" air gap to drain.

Capacities and Measurements

Model	Height	Width	Depth	Water tank capacity	Empty Weight	Filled Weight	Shipping Weight	Shipping Dimensions
HWB-5	30 in 762 mm	10 in 254 mm	23 ⁵ / ₈ in 599 mm	6.0 gal 22.7 liter	58 lb 26.3 kg	108 lb 49.0 kg	65 lb 29.5 kg	32X12X27 inch 813X355X686 mm
HWB-10	30 in 762 mm	16 in 406 mm	23 ⁵ / ₈ in 599 mm	12 gal 45.3 liter	64 lb 29.0 kg	163 lb 74.0 kg	72 lb 32.7 kg	32X21X25 inch 813X533X635 mm
HWB-15	30 in 762 mm	21 in 533	28 in 711 mm	20.7 gal 78.2 liter	70 lb 31.7 kg	243 lb 110 kg	105 lb 47.6 kg	33X24X28 inch 840X610X710 mm
HWB-25	30 in 762 mm	28 in 711 mm	28 in 711 mm	30.5 gal 115.5 liter	119 53.9 kg	375 lb 170 kg	160 lb 72.5 kg	33X37X32 inch 840X940X810 mm

Electrical Rating Chart

All HWB equipment below have terminal blocks for installation by user for corded or hardwired installation 50Hz or 60Hz
 Note: discontinued HWB-5 and HWB-10 models included for reference purposes due to large population of this equipment in use and in the field for service and reselling

HWB-5 5 Gallon Hot Water Dispenser

Configuration Code	Notes	Heater Configuration	Wires †	Phase	Voltage Supplied	kW	Maximum Amp draw	Gal/Hr
H05011	<i>discontinued</i>	1 X 3.0 kW	3+G	1	120/208 120/220 120/240	2.3 2.5 3.0	11.3 12.0 13.0	5.6 6.5 7.4
H05021* *Export only	<i>discontinued</i>	1X4.0	2+G	1	220-240	3.4/4.0	15.8/17.2	7.4

HWB-10 10 Gallon Hot Water Dispenser

Configuration Code	Notes	Heater Configuration	Wires †	Phase	Voltage Supplied	kW	Maximum Amp draw	Gal/Hr
H10011	<i>discontinued</i>	2X3.0 kW	3+G	1	120/208 120/220 120/240	4.5 5.0 6.0	22.0 23.4 25.5	11.2 12.9 14.9
H10021* *Export only	<i>discontinued</i>	2X3.0	2+G	1	220-240	5.0/6.0	23.4/25.5	14.9

HWB-15 15 Gallon Hot Water Dispenser

Configuration Code	Notes	Heater Configuration	Wires †	Phase	Voltage Supplied	kW	Maximum Amp draw	Gal/Hr
H15011		2X3.0 kW	3+G	1	120/208 120/220 120/240	4.5 5.0 6.0	22.0 23.4 25.5	11.2 12.9 14.9
H15021		3X3.0 kW	4+G	3	120/208 120/220 120/240	6.8 7.6 9.0	19.3 20.3 22.2	16.7 19.4 22.3
H15041* *Export only		3X3.0 kW	4+G	3	220-240/380-415	7.6-9.0	12.0-13.0	15.0-19.0

HWB-25 25 Gallon Hot Water Dispenser

Configuration Code	Notes	Heater Configuration	Wires †	Phase	Voltage Supplied	kW	Maximum Amp draw	Gal/Hr
H25011		6X3.0 kW	4+G	3	120/208 120/220 120/240	13.5 15.1 18.0	38.0 40.2 43.8	33.5 38.8 44.6
H25021		6X4.0 kW	4+G	3	120/208 120/220 120/240	18.0 20.2 24.0	50.5 53.4 58.2	44.6 51.8 59.5
H25031* *Export only		6X3.0 kW	4+G	3	220-240/380-415	15.1-18.0	23.4-25.5	60.0

IP44 Maritime HWB-5 5 Gallon Hot Water Dispenser

Configuration Code	Notes	Heater Configuration	Wires †	Phase	Voltage Supplied	kW	Maximum Amp draw	Gal/Hr
H05041MIP	IP44- Maritime	1 X 3.0 kW	e2+G	1	220 240	2.5 3.0	12.0 13.0	6.5 7.4

IP44 Maritime HWB-10 10 Gallon Hot Water Dispenser

Configuration Code	Notes	Heater Configuration	Wires †	Phase	Voltage Supplied	kW	Maximum Amp draw	Gal/Hr
H10031MIP	IP44- Maritime	2X3.0 kW	e3+G	3	220 240	5.0 6.0	12.0 13.0	12.9 14.9

† Wires "3+G" denotes a single phase, four wire bundle of L1; L2; .N (neutral) and a ground wire (domestic)
 Wires "e3+G" denotes a three phase, four wire bundle of L1; L2; .L3 and a ground wire (export only)
 Wires "4+G" denotes a WYE three phase, five wire bundle of L1; L2; L3; N and a ground wire (domestic)
 Wires "e2+G" denotes an export brewer , three wire bundle of L1; L2; and a ground wire (export only)

Installation

Keys To A Successful Installation (For Qualified Service Technicians Only)

Electrical:

All FETCO dispensers require NEUTRAL. Ground is not an acceptable substitute. Installation without neutral, or attaching a powered lead, may cause damage to the electronic components.

The power connection to L1 on the terminal block must be at least 105 volts. Less than 105 volts will cause erratic behavior. Greater than 120 volts may damage the equipment.

The power switch has a built-in circuit breaker. To reset it, turn to the "off" position, and then back to the "on" position.

The wiring diagram for the dispenser is located on the inside of the cover.

Plumbing:

This equipment is to be installed to comply with the applicable federal, state, or local plumbing codes.

The water line must be flushed thoroughly prior to connecting it to the dispenser to prevent debris from contaminating the machine. All beverage equipment should use an inline water filter.

Verify that the water line will provide at least 2 gallons per minute before connecting it to the dispenser.

General:

Utilize only qualified beverage equipment service technicians for installation. A Service Company Directory may be found on our web site, <http://www.fetco.com>. Or at <https://www.fetco.com/pl.service-technicians.service.html>

Do not adjust the thermostat settings unless absolutely necessary. They are set at the factory for optimum performance.

Installation Check List

The installation must comply with applicable federal, state, and local codes having jurisdiction at your location. Check with your local inspectors to determine what codes will apply to the installation and operation of FETCO products.

- 1) Verify that the actual voltage at the electrical service connection is compatible with the specifications on the dispenser's serial number plate. Make sure the electrical service includes **neutral**. Ensure at this time that the circuit breaker to the dispenser and the power switch on the dispenser are in the off position
- 2) The temperature and the water tank fill level are pre-set at the factory. There is no need to turn off the heaters during the installation process. The heaters are disabled by the liquid level control board until water is sensed. The heating process will start automatically when the tank has filled with water
- 3) Place the dispenser on a suitable counter or stand (Note filled weights from chart on page 2)
- 4) When the dispenser is in position for use, level the dispenser front to back as well as side to side by adjusting the legs.
- 5) Remove the cover
- 6) Water connection
 - Water inlet is a 3/8 inch male flare fitting
 - The dispenser can be connected to a cold or hot water line. Cold water is preferred for best flavor, but hot water will allow for faster recovery times. Use of an in-line water filter is strongly recommended
 - Install a water shut off valve near the dispenser to facilitate service. If an in-line water filter is used, it should be installed after the water shut off valve and in a position to facilitate filter replacement.
 - Flush the water supply line and filter **before** connecting it to the dispenser.
 - Verify that the water line will provide at least 0.75 gallons per minute and that the water pressure is between 20 and 75 psig.
 - Use a wrench on the factory fitting when connecting the incoming water line. This will reduce stress on the internal connections and reduce the possibility of leaks developing after the installation has been completed.
- 7) .Vent tube connection:
 - Vent tube connection is a 3/8 inch hose barb.
 - Tank vent must never be obstructed. It is to normalize the hot water tank pressure to fill and dispense water. The hot water tank is not pressurized - this is an atmospheric hot water dispense system. If a condensate drain is desired: use heavy wall or rigid tubing with a minimum 3/8 inch ID. Do not plumb to drain-leave a minimum 12" air gap to drain.

Installation-power connection

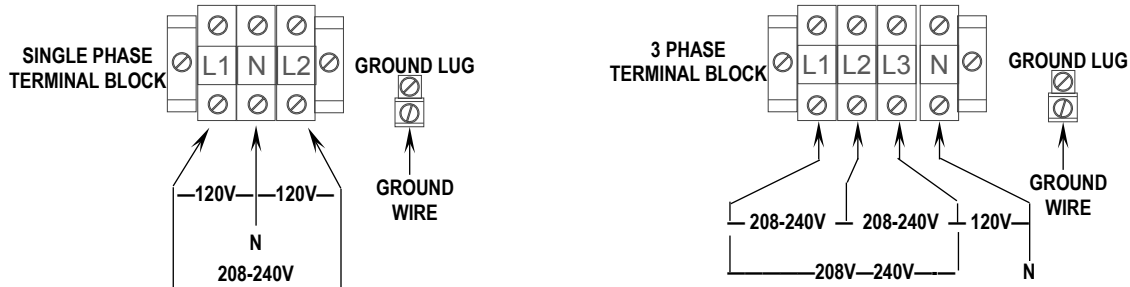
8) Power connection:

A fused disconnect switch or circuit breaker on the incoming power line must be conveniently located near the dispenser, and its location and markings known to the operators.

All dispensers require neutral. Damage to the dispenser may result if neutral is not present.

The body of the dispenser must be grounded to a suitable building ground. A ground lug is provided in the dispenser next to the power terminal block. Use only 10 gauge copper wire for grounding.

Electrical connections must be secured in-place within the unit to meet national and local standards



Domestic Electrical Configurations

9) Turn on the incoming water supply line and inspect both inside and outside of the dispenser for leaks in all fittings and tubes.

10) Turn on the incoming power line and the dispenser's on/off switch.

Within 6 seconds, the hot water tank will begin filling until the water is sensed by the water probe at the top of the tank.

The heaters will be disabled until the water probe at the top of the tank senses water.

11) Review the programming instructions and make any necessary adjustments.

12) Re-attach the cover after one final inspection for leaks

Operating Procedures

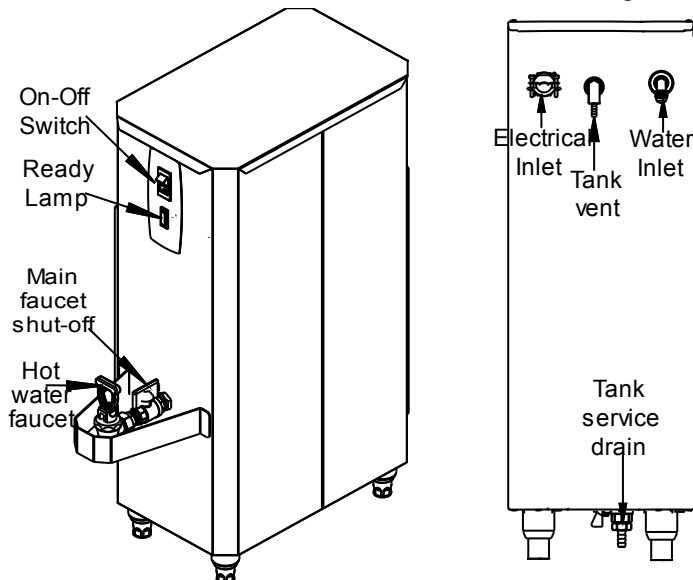
Turn the dispenser power switch to the "on" position. The power switch will illuminate to indicate that the dispenser has power and is operating.

When the ready light illuminates, the dispenser is fully up to temperature and ready to dispense hot water through the faucet. The amount of time required to gain full operating temperature will vary depending on the electrical configuration that was ordered, and the temperature of the incoming water.

Safety Precautions:

Do not hang containers or any other object from the faucet or faucet guard.

Do not disassemble the faucet without closing the main faucet shut-off valve located behind the faucet.



NOTE: Never plumb to the tank service drain. This drain must be clear for service work or to empty the hot water tank during moving or relocating the equipment

Programming Instructions

The display shows the current water tank temperature in degrees Celsius when in normal operating mode.

Temperature may be set in either Celsius or Fahrenheit.

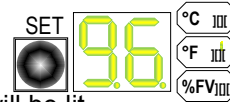
Service note: Whenever the digital temperature probe is replaced, it will be necessary to reprogram all settings on the control board.

1) Remove the top cover of the unit.

The control board is located on the left side near the front.

2) Turn the power switch **ON**.

3) Press and hold the **SET** button for 3 seconds. (see right→)



Temperature setting in °C will be displayed and °C indicator lamp will be lit.

To adjust, press and release **SET** quickly to advance one degree at a time. Range: 82-98 °C.

4) Press and hold **SET** for 3 seconds.

Temperature setting in °F will be displayed and °F indicator lamp will be lit.

To adjust, press and release **SET** quickly to advance one degree at a time. Range 180-208 °F.

Only the last 2 digits of the temperature will be displayed.

Example: 205°F is displayed as 96°C as shown

NOTE! Correct for altitude boiling point suppression to prevent boiling! See chart below.

The HWB unit and property will be damaged if hot water tank boils for any length of time.

5) Press and hold **SET** for 3 seconds. The fill valve % will be displayed and the %FV indicator lamp will be lit.

To adjust, press and release **SET** quickly to advance one percent at a time.

Refer to the chart below for the proper setting for your model and voltage.

Range: 15% – 100%.

6) The unit will automatically return to normal operating mode after 30 seconds without programming activity

TEMPERATURE CONVERSION

°C	°F
82	180
83	181
83	182
84	183
84	184
85	185
85	186
86	187
87	188
87	189
88	190
88	191
89	192
89	193
90	194
90	195
91	196
92	197
92	198
93	199
93	200
94	201
94	202
95	203
95	204
▶96	205◀
97	206
97	207
98	208

>Factory setting<
96°C/205°F

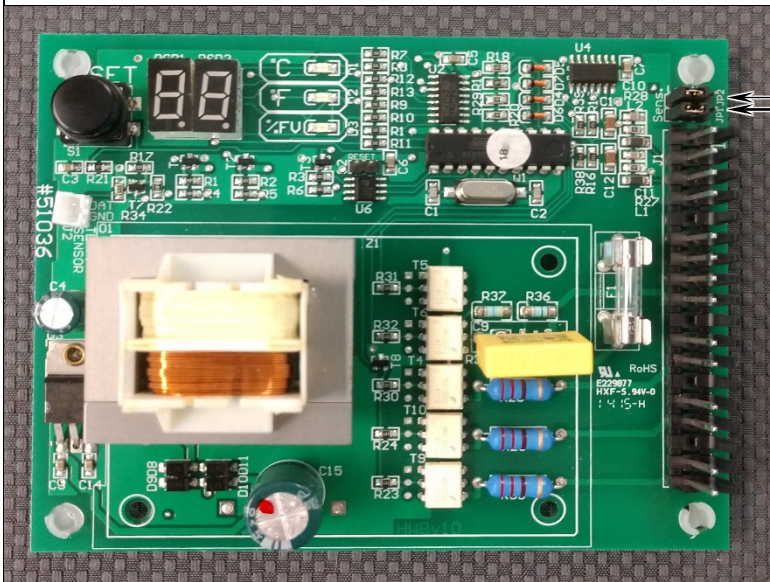
5) Reference table for percent flow value (%FV)

- Locate model and heater configuration
- Determinain if three phase or single phase
- Locate outout voltage (one of three shown)
- Input corresponding %FV setting to control board

Model	Heater Configuration	Actual (applied) Voltage	Phase	%FV Setting
HWB-5 (-1)	1 X 3000 watt	120/208	single	15
		120/220	single	15
		120/240	single	17
HWB-10 (-1)	2 X 3000 watt	120/208	single	25
		120/220	single	28
		120/240	single	33
HWB-15 (-1)	2 X 3000 watt	120/208	single	25
		120/220	single	28
		120/240	single	33
HWB-15 (-2)	3 X 3000 watt	120/208	three	37
		120/220	three	42
		120/240	three	50
HWB-25 (-1)	6 X 3000 watt	120/208	three	74
		120/220	three	83
		120/240	three	99
HWB-25 (-2)	6 X 4000 watt	120/208	three	99
		120/220	three	100
		120/240	three	100

[ft]	[m]	Suggested Setting[°F]	Boiling point[°F]	Suggested Setting[°C]	Boiling point [°C]
0	0	205	212.0	96	100.0
500	152	205	211.0	96	99.5
1000	305	200	210.1	93	98.9
2000	610	200	208.1	93	97.8
2500	762	200	207.2	93	97.3
3000	914	200	206.2	93	96.8
3500	1067	197	205.3	92	96.3
4000	1219	195	204.3	91	95.7
4500	1372	194	203.4	90	95.2
5000	1524	194	202.4	90	94.7
5500	1676	193	201.5	89	94.2
6000	1829	192	200.6	89	93.6
6500	1981	191	199.6	88	93.1
7000	2134	190	198.7	87	92.6
7500	2286	188	197.8	86	92.1
8000	2438	187	196.9	86	91.6
8500	2591	185	196.0	85	91.1

Setting bias for pure water.



The HWB can be set to detect high purity water by moving the two bias jumpers [JP1&JP2] to "HI"

High purity water is usually below 100TDS. The setting LOW is "normal" for most water change to "HIGH" for water treated by reverse osmosis "R.O."

NOTE: Change jumper position only with unit turned off and then removed from power.

Some very pure water, below 75-50 TDS may not detect well even when at the HI position

Operator Training

Review the operating procedures with whoever will be using this equipment

Pay particular attention to the following areas:

1. Show the location and operation of the water shut off valve as well as the circuit breaker for the equipment.
2. Steam from the tank will form condensation in the vent tube. This condensation will drip into and then out of the tank vent. Place an appropriate container under the vent.
3. We recommend leaving the power to the hot water dispenser on overnight. The water tank is well insulated and very little electricity is used to keep the tank hot. Leaving the equipment in the "ON" position will also avoid delays at the beginning of shifts for the hot water dispenser to reach operating temperature.

Cleaning & Maintenance

Every Day:

1. Use only a soft cloth and hot suds on the outside to avoid scratches. Never use abrasives that will scratch surface.
2. Never use spray cleaners, solvent, solvent based cleaner or petroleum based polish anywhere on dispensers

Warning

1. Turn off power before any cleaning procedure, including wiping the exterior for appearance reasons.
2. Dry the exterior, especially the face panel, before turning on power.
3. Do not apply any type of spray cleaner on the face panel of this equipment.
4. Never use solvent or solvent-based cleaner or petroleum based polish anywhere on this equipment.
5. Dry the face of the touch pad before turning on power
6. Do not electrically energize this equipment or attempt operation without all covers in place and all screws fastened.
7. Unplug machine before disassembly or servicing.

Safety Notes

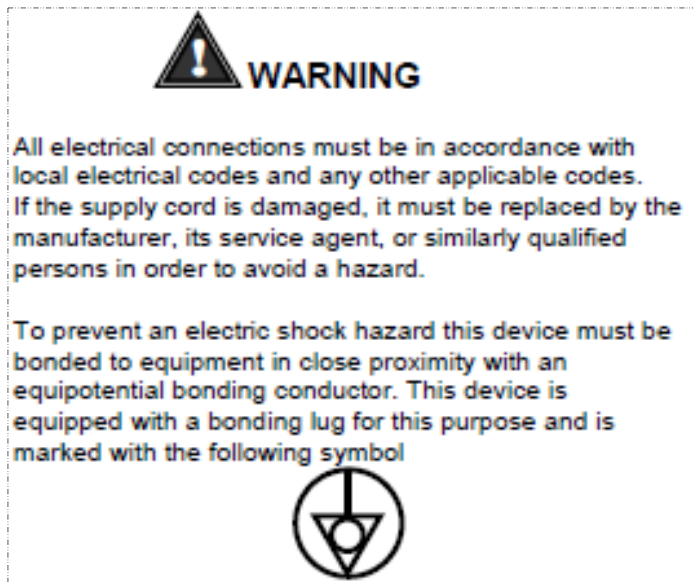
1. Professional installation is required. This appliance is manufactured for commercial use only
2. Operational requirements and maintenance for commercial cooking appliances differ from household appliances.
3. Operators must be trained for this equipment and must understand the use, maintenance and hazards.
4. Access to the service area is restricted to persons having safety/hygiene knowledge and practical experience of the equipment. This appliance must be installed in locations where it can be overseen by adult trained personnel.
5. Do not attempt to move hot beverage equipment once it is filled. Drain equipment before moving.
6. FETCO commercial hot water dispensers prepare large amounts of very hot water

Keep these instructions for training and future reference.

Installation safety and hygiene directions-for International and CE equipment

1. Access to the service area is restricted to persons having safety/hygiene knowledge and practical experience of the equipment. This appliance must be installed in locations where it can be overseen by trained personnel.
2. For proper operation, this appliance must be installed indoors where the temperature is between 10°C/50°F to 35°C/95°F. Drain and remove all liquid from equipment and lines if exposed to freezing temperatures.
3. All commercial cooking equipment, including this unit, is not intended for use by children or persons with reduced physical, sensory, or mental capabilities. Ensure proper supervision of children and keep them away from the unit.
4. Children should be supervised to ensure that they do not play hot beverage equipment.
5. This unit must be installed and serviced by qualified personnel only.
6. Installation must conform to all local electrical and plumbing codes. Installation by unqualified personnel will void the unit warranty and may lead to electric shock or burn, as well as damage to unit and/or its surroundings.
7. Review the dimensions for the unit and verify that it will fit properly in the space intended for it. Verify that the counter or table will support the total weight of the hot water dispenser when filled (See: Technical Data).
8. Place the hot water dispenser on the counter or stand. When the equipment is in position, level it front to back as well as side-to-side by adjusting the legs.
9. This equipment requires a sturdy supported surface for operation. Do not move equipment when filled.
10. Do not tilt appliance more than 10° to insure safe operation.
11. Non IP-44 equipment is for protected indoor use only. Do not steam clean or apply excessive water on unit.
12. Non IP-44 equipment is not "jet-proof" construction. Do not pressure wash or use jet spray to clean this unit.
13. All FETCO equipment is not waterproof-do not submerge or saturate with water.

Equipment exposed to flood and contaminated must not be used due to electrical and food safety. Do not operate if unit has been submerged or saturated with water.

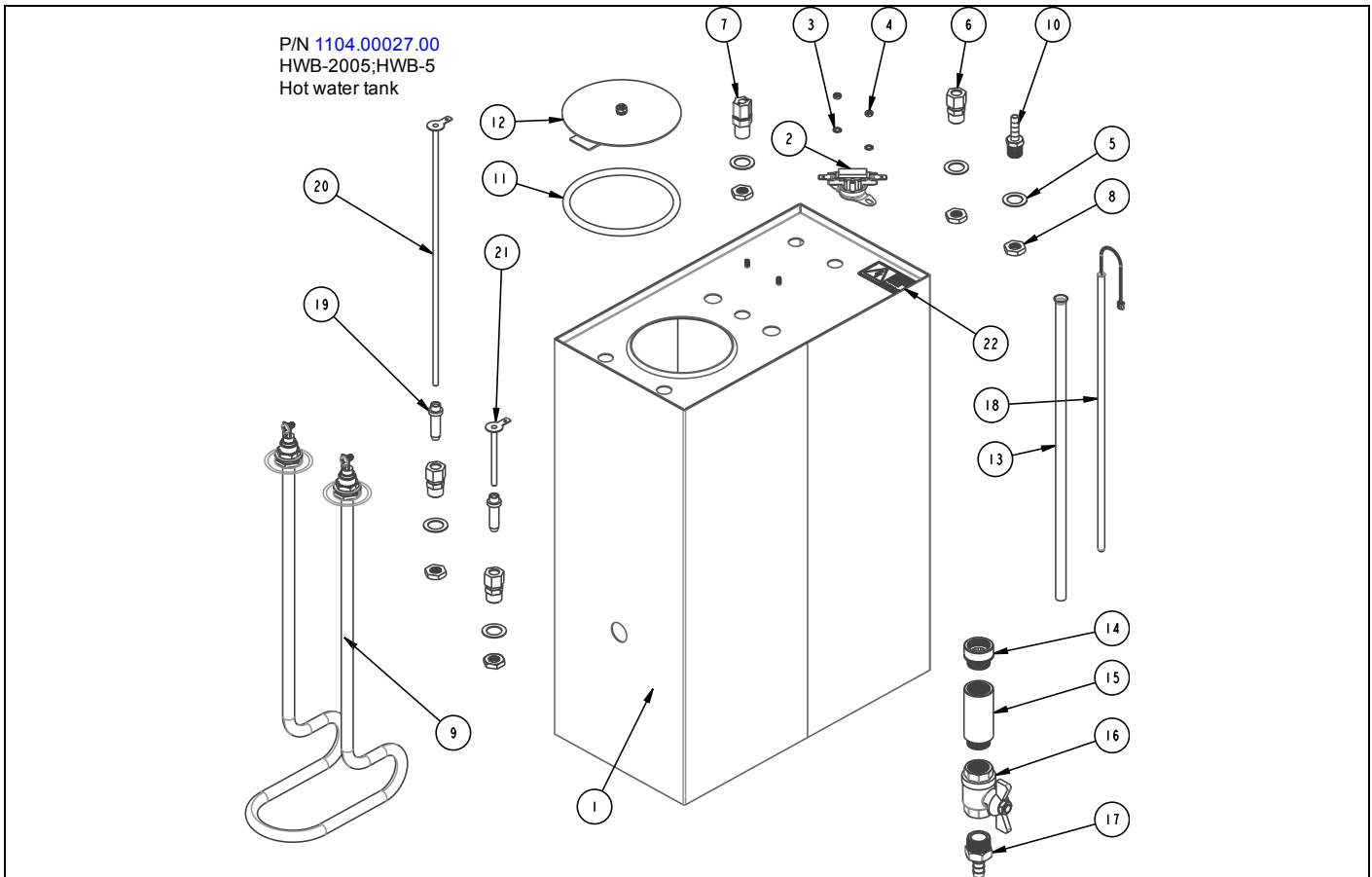


Labels and warnings for hot beverage equipment

	WARNING	To reduce risk of electric shock or fire.
		FETCO® Hot Beverage Equipment is for commercial use only.
		Do not remove or open cover. No user serviceable parts inside. Refer installation and service to qualified personnel.
		Caution, disconnect from power supply before servicing.
		GROUND: National Electrical Code requires separate grounding wire.
		Use dedicated circuit with capacity rated by local code or National Electrical Code for the current draw of this equipment. Check serial number plate on right side for power requirements.
		Locate unit away from source of heat. Do not install or use near combustibles.
		THIS APPLIANCE IS ENERGIZED WHENEVER IT IS CONNECTED TO A POWER SOURCE
		FAILURE TO COMPLY RISKS EQUIPMENT DAMAGE, PROPERTY DAMAGE, FIRE, OR SHOCK HAZARD
		This equipment must be installed with a backflow protection device to comply with federal, state or local municipality codes.
		Read the user guide before installing and operating this unit.

Label for BACK PANEL of equipment (1046.00035.00)

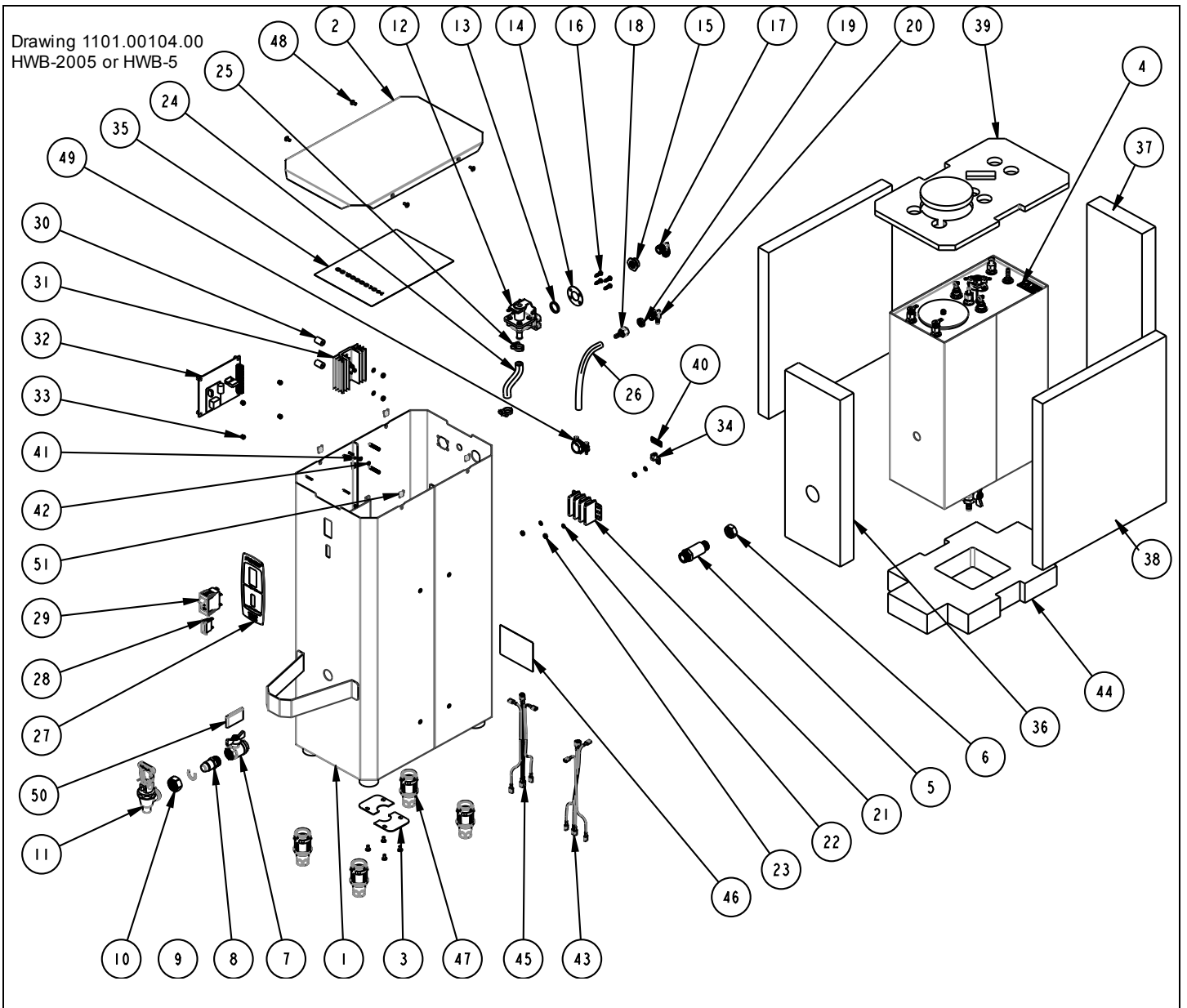
Parts diagrams



Complete HWB-2005 IP44; and HWB-5 HOT WATER TANK ASSY, Part number [1104.00027.00](#)

#	Qty	PART NO	DESCRIPTION
1	1	1114.00038.00	TANK WELDMENT, HWB-2005
2	1	1053.00051.00	THERMOSTAT, SINGLE SHOT, 240V/25A
3	2	1083.00009.00	WASHER, #6 SCREW , INTL TOOTH LOCKWASHER
4	2	1084.00010.00	NUT, HEX, #6-32, UNDERSIZED, ZINC PLATED
5	5	1083.00006.00	WASHER, .875" OD X 0.562" ID FLAT
6	3	1031.00006.00	FITTING, COMP., 3/8 TUBE OD X 1/4 MPT
7	1	1025.00001.00	FITTING, COMPRESSION MALE CONNECTOR
8	5	1031.00007.00	LOCKNUT, 1/4 STRAIGHT PIPE THREAD
9	1	1107.00006.00	HEATER ASSY, IMMERSION, 3000W/240VAC, HWB-2000
9	1	1107.00007.00	HEATER ASSY, IMMERSION, 4000W/240VAC, HWB-2000
10	1	1031.00054.00	FITTING, BARB, 1/4" HOSE ID X 1/4" MALE PIPE
11	1	1024.00007.00	O-RING, DASH #344, TANK COVER
12	1	1102.00007.00	TANK COVER ASSEMBLY
13	1	1032.00003.00	TUBE, 3/8"OD X 13" LG, COLD WATER INLET, HWB-2000
14	1	1031.00014.00	FITTING, EXTENSION 1/2"FPT x 1/2" MPT x 0.45"LG
15	1	1031.00015.00	FITTING, EXTENSION 1/2"FPT x 1/2" MPT x 2.00"LG
16	1	1034.00001.00	VALVE, BALL, 1/2" FPT X 1/2" FPT
17	1	1031.00013.00	FITTING, HOSE BARB 3/8" x 1/2" MPT
18	1	1102.00025.00	PROBE ASSEMBLY, DIGITAL TEMPERATURE, 12.0" LG
19	2	1021.00002.00	HOUSING, WATER LEVEL PROBE
20	1	1112.00030.00	PROBE WELDMENT, WATER LEVEL, 11.25" LONG
21	1	1112.00029.00	PROBE WELDMENT, WATER LEVEL, 2.50" LONG
22	1	1044.00004.00	LABEL, DANGER, HIGH VOLTAGE

Drawing 1101.00104.00
 HWB-2005 or HWB-5



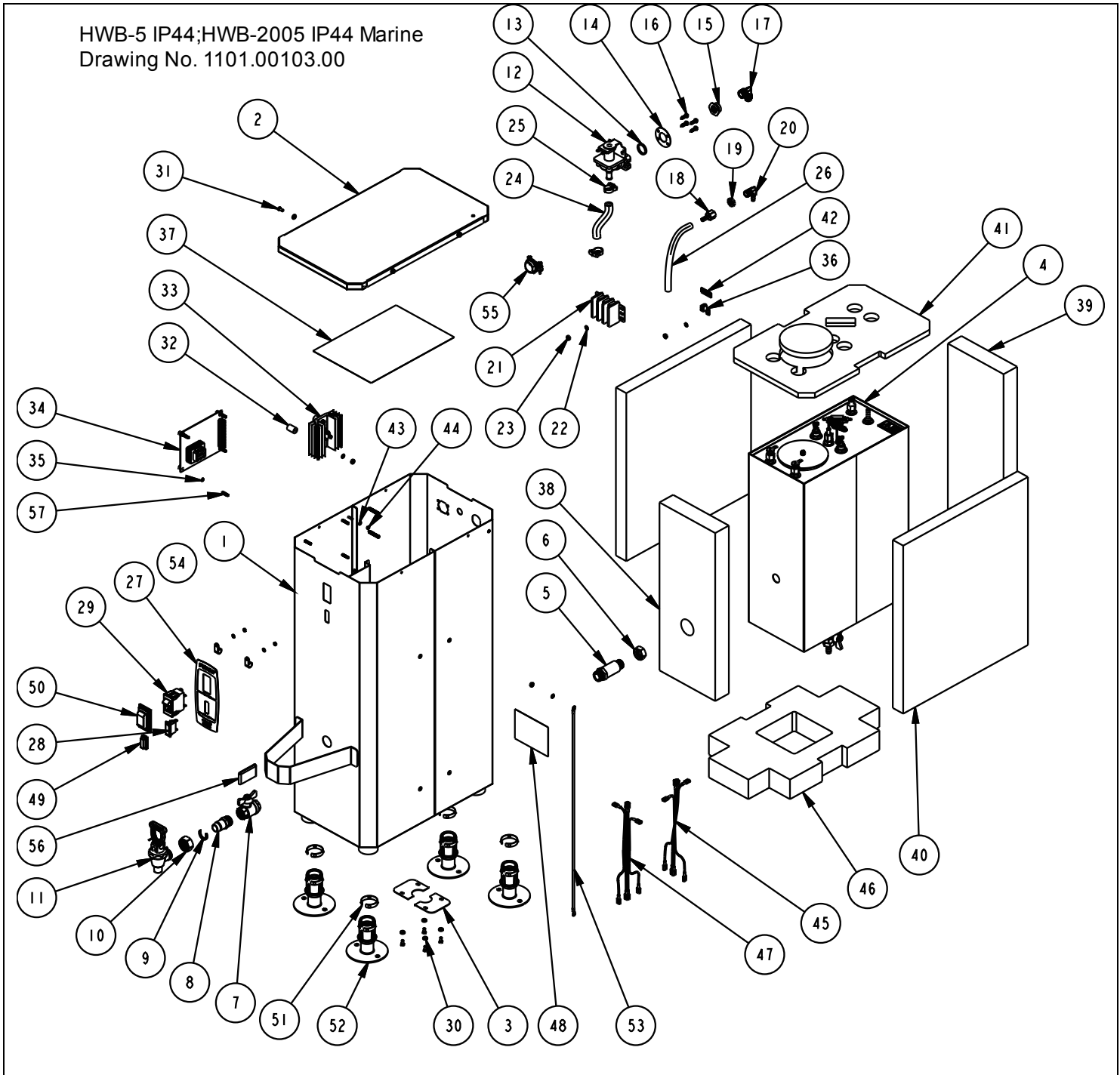
NOTE

The proper controls voltage for domestic (Americas) equipment are 120Vac. Domestic equipment is marked 120/208-240VAC to signify that the first voltage, the 120 Volt is 120 volts for the controls and inlet valve. This configuration also requires a NEUTRAL wire in the wiring bundle. The 208-240VAC of the 120/220-240 rating is for the heaters.

Brewers and parts marked as EXPORT are only for use in non-Americas equipment. EXPORT equipment and IP-44 Maritime equipment have 240 volt control boards and inlet valves. The 240 volt control boards and inlet valves are only for use in equipment marked EXPORT or IP-44 Maritime. This equipment does not require a NEUTRAL in the wiring bundle and is not used for domestic (Americas) equipment

Ref	Qty	Part Number	Description	Drawing 1101.00104.00 HWB-2005 or HWB-5
1	1	1111.00020.00	BODY, WELDMENT, HWB-2005, STANDARD	
2	1	1001.00070.00	COVER, TOP, HWB-2005	
3	2	1003.00030.00	COVER, DRAIN OPENING, HWB'S	
4	1	1104.00027.00	TANK ASSEMBLY, HWB-2005, 1 x 3kW/240VAC (see detailed drawing on page 9)	
5	1	1013.00019.00	SHANK REAR HWB-2000	
6	1	1013.00020.00	LOCKNUT, SHANK, 3/4-20	
7	1	1034.00001.00	VALVE, BALL, 1/2" HWB-2000	
8	1	1013.00017.00	SHANK FRONT HWB-2000	
9	1	1071.00012.00	C-RING, FOR TOMLINSON FAUCET	
10	1	1012.00002.00	NUT, FAUCET UNION TPD/HWB	
11	1	1071.00011.00	FAUCET, COMPLETE W/RED HANDLE, HWB-2000	
12	1	1057.00006.00	VALVE, S-53, 120VAC 50/60HZ, 0.75GPM ±15%	
12	1	1057.00044.00	FILL VALVE, S53, .75 GPM, 240VAC EXP EXPORT ONLY	
13	1	1024.00020.00	GASKET, S-53 FILL VALVE	
14	1	1003.00019.00	BRACKET, S-53	
15	1	1031.00004.00	FITTING, S-53 FILL VALVE INLET	
16	4	1082.00019.00	SCREW, S-53 FILL VALVE	
17	1	1031.00005.00	FITTING, 90° MALE ELBOW, 3/8 OD TUBE X 3/8 NPT	
18	1	1031.00017.00	FITTING, BARB 1/4" HOSE ID x 1/4" FPT	
19	1	1031.00007.00	LOCKNUT, 1/4 STRAIGHT PIPE THREAD	
20	1	1031.00016.00	FITTING, 90° ELBOW, 1/4" HOSE ID X 1/4" MPT	
21	1	1052.00010.00	TERMINAL BLOCK, 3 POLE, 30 AMP, 10-22 AWG	
22	5	1083.00011.00	WASHER, #8 SCREW SIZE, INTERNAL TOOTH LOCK	
23	5	1084.00006.00	NUT, 8-32 18-8 HEX MACHINE SCREW	
24	1	1025.00013.00	TUBE, 5/8"OD X 3/8"ID X 4.5"LG,COLD WATER, HWB-2000	
25	2	1086.00001.00	CLAMP, HOSE, 15.0-17.2 DIA RANGE	
26	1	1025.00014.00	TUBE, 1/2"OD X 1/4"ID X 7.0"LG VENT. HWB-2000	
27	1	1045.00013.00	OVERLAY, HWB-2005	
28	1	1058.00004.00	LAMP, "READY" INDICATOR, GREEN, 110 VAC	
29	1	1052.00003.00	BREAKER, CIRCUIT, 240VAC, ROCKER SWITCH, 6AMP	
30	2	1029.00007.00	SPACER, #8 SCREW, 1/2" OD X 3/4" LG, RND UNTHR	
31	1	1102.00026.00	SINK, HEAT, ASSEMBLY, HWB-2000	
32	1	1108.00013.00	CTRL BOARD AND SOFTWARE ASSY, HWB-2000, 120VAC	
32	1	1108.00012.00	CTRL BOARD AND SOFTWARE ASSY, HWB-2000, 230VAC EXPORT ONLY	
33	4	1029.00006.00	NUT, FINGER, #4-40 NYLON	
34	1	1065.00002.00	CONNECTOR, COPPER LUG	
35	1	1401.00008.00	WIRING DIAGRAM, HWB-5, 120/208-240VAC, N, L1, L2 + GND	
36	1	1022.00044.00	INSULATION, TANK FRONT, HWB-2005	
37	1	1022.00045.00	INSULATION, TANK BACK, HWB-2005	
38	2	1022.00043.00	INSULATION, TANK, SIDE, HWB-2005/2010	
39	1	1022.00041.00	INSULATION, TANK TOP, HWB-2005	
40	1	1044.00003.00	LABEL GROUND	
41	1	1083.00009.00	WASHER, #6 SCREW , INTL TOOTH LOCKWASHER	
42	1	1084.00010.00	NUT, HEX, #6-32, UNDERSIZED, ZINC PLATED	
43	1	1402.00022.00	HARNESS, LOW AMP, HWB-5, IP44 HALOGEN FREE	
44	1	1022.00042.00	INSULATION, TANK BOTTOM, HWB-2005	
45	1	1402.00023.00	HARNESS, HIGH AMP, HWB-5, IP44, HALOGEN FREE	
46	1	1042.00006.00	LABEL, 4" X 3" SERIAL NUMBER	
47	4	1102.00027.00	INSERT, LEG, ASSEMBLY, HWB-2000	
48	8	1082.00023.00	SCREW, #8-32 X 3/8 TRUSS HD PHIL., MACHINE	
49	1	1086.00008.00	CONNECTOR, CABLE CLAMP, 3/4"	
50	1	1024.00022.00	GRIP, FLAT, RED (.25 x 2.00 x 1.13)	
51	4	1084.00028.00	NUT, CLIP ON (J-NUT), #8-32, 20 GA., BLACK-PHOSPHATE FINISH	

HWB-5 IP44;HWB-2005 IP44 Marine
 Drawing No. 1101.00103.00

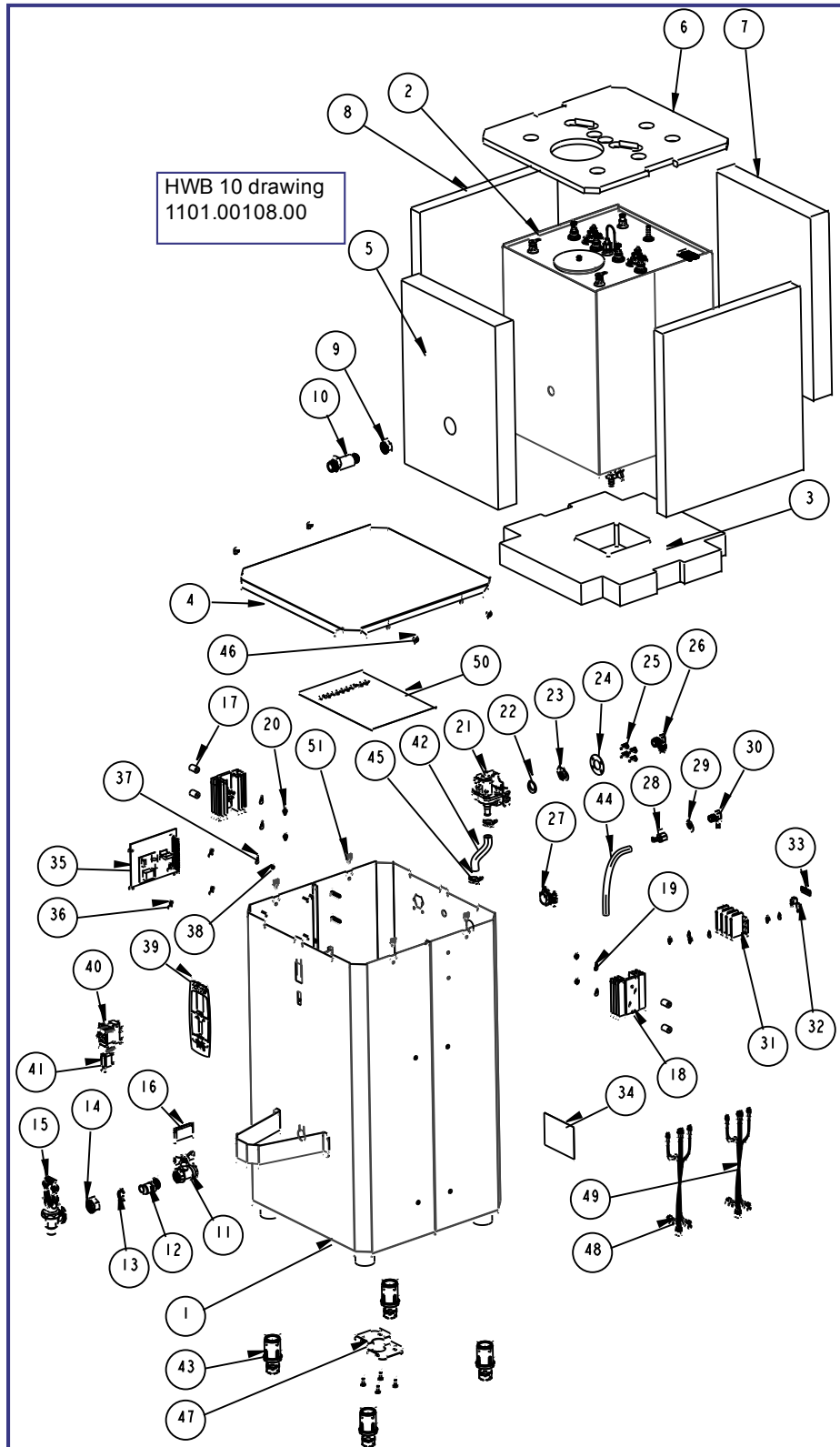


NOTE

The proper controls voltage for domestic (Americas) equipment are 120Vac. Domestic equipment is marked 120/208-240VAC to signify that the first voltage, the 120 Volt is 120 volts for the controls and inlet valve. This configuration also requires a NEUTRAL wire in the wiring bundle. The 208-240VAC of the 120/220-240 rating is for the heaters.

Brewers and parts marked as EXPORT are only for use in non-Americas equipment. EXPORT equipment and IP-44 Maritime equipment have 240 volt control boards and inlet valves. The 240 volt control boards and inlet valves are only for use in equipment marked EXPORT or IP-44 Maritime. This equipment does not require a NEUTRAL in the wiring bundle and is not used for domestic (Americas) equipment

HWB-2005 or HWB-5 HWB-5 IP44 EXPORT ONLY, Not for Americas			
Ref	Qty	Part Number	Description Drawing 1101.00103.00 HWB-2005 EXPORT HWB-5 IP44 Marine
1	1	1111.00019.00	BODY, WELDMENT, HWB-2005, IP44
2	1	1112.00124.00	WELDMENT, TOP COVER, HWB-2005, IP44
3	2	1003.00030.00	COVER, DRAIN OPENING, HWB'S
4	1	1104.00027.00	TANK ASSEMBLY, HWB-2005, 1 x 3kW/240VAC (see detailed drawing on page 9)
5	1	1013.00019.00	SHANK REAR HWB-2000
6	1	1013.00020.00	LOCKNUT, SHANK, 3/4-20
7	1	1034.00001.00	VALVE, BALL, 1/2" FPT X 1/2" FPT
8	1	1013.00017.00	SHANK FRONT HWB-2000
9	1	1071.00012.00	C-RING, FOR TOMLINSON FAUCET
10	1	1012.00002.00	NUT, FAUCET UNION TPD/HWB
11	1	1071.00011.00	FAUCET, COMPLETE W/RED HANDLE, HWB-2000
12	1	1057.00044.00	FILL VALVE, S53, .75 GPM, 240VAC EXPORT ONLY
13	1	1024.00020.00	GASKET, S-53 FILL VALVE
14	1	1003.00019.00	BRACKET, S-53
15	1	1031.00004.00	FITTING, S-53 FILL VALVE INLET
16	4	1082.00019.00	SCREW, S-53 FILL VALVE
17	1	1031.00005.00	FITTING, 90° MALE ELBOW, 3/8 OD TUBE X 3/8 NPT
18	1	1031.00017.00	FITTING, BARB 1/4" HOSE ID x 1/4" FPT
19	1	1031.00007.00	LOCKNUT, 1/4 STRAIGHT PIPE THREAD
20	1	1031.00016.00	FITTING, 90° ELBOW, 1/4" HOSE ID X 1/4" MPT
21	1	1052.00010.00	TERMINAL BLOCK, 3 POLE, 30 AMP, 10-22 AWG
22	6	1083.00011.00	WASHER, #8 SCREW SIZE, INTERNAL TOOTH LOCK
23	6	1084.00006.00	NUT, 8-32 18-8 HEX MACHINE SCREW
24	1	1025.00013.00	TUBE, 5/8"OD X 3/8"ID X 4.5"LG
25	2	1086.00001.00	CLAMP, HOSE, .590" - .673" DIA RANGE
26	1	1025.00014.00	TUBE, 1/2"OD X 1/4"ID X 7.0"LG VENT. HWB-2000
27	1	1045.00013.00	OVERLAY, HWB-2005
28	1	1058.00018.00	LAMP "READY" INDICATOR GREEN, 230VAC
29	1	1052.00003.00	BREAKER, CIRCUIT, 240VAC, ROCKER SWITCH, 6AMP
30	8	1083.00010.00	WASHER, #10 SCREW W/NEOPRENE-BONDED SEAL
31	8	1082.00063.00	SCREW, # 8-32 x 3/8", HEX HD, MS, 18-8 SS
32	2	1029.00007.00	SPACER, #8 SCREW, 1/2" OD X 3/4" LG, RND UNTHR.
33	1	1102.00026.00	SINK, HEAT, ASSEMBLY, HWB-2000
34	1	1108.00012.00	CTRL BOARD AND SOFTWARE ASSY, HWB-2000, 230VAC EXPORT ONLY
35	4	1083.00029.00	LOCKWASHER, #4 SCREW SIZE, INTERNAL TOOTH
36	1	1065.00002.00	CONNECTOR, COPPER LUG
37	1	1401.00010.00	WIRING DIAGRAM, HWB-5, UNIVERSAL, L1, L2, + GND
38	1	1022.00044.00	INSULATION, TANK FRONT, HWB-2005
39	1	1022.00045.00	INSULATION, TANK BACK, HWB-2005
40	2	1022.00043.00	INSULATION, TANK, SIDE, HWB-2005/2010
41	1	1022.00041.00	INSULATION, TANK TOP, HWB-2005
42	1	1044.00003.00	LABEL GROUND
43	3	1083.00009.00	WASHER, #6 SCREW, INTL TOOTH LOCKWASHER
44	3	1084.00010.00	NUT, HEX, #6-32, UNDERSIZED, ZINC PLATED
45	1	1402.00022.00	HARNES, LOW AMP, HWB-5, IP44 HALOGEN FREE
46	1	1022.00042.00	INSULATION, TANK BOTTOM, HWB-2005
47	1	1402.00023.00	HARNES, HIGH AMP, HWB-5, IP44, HALOGEN FREE
48	1	1042.00006.00	LABEL, 4" X 3" SERIAL NUMBER
49	1	1052.00012.00	PROTECTIVE COVER, READY LAMP, IP44
50	1	1052.00011.00	PROTECTIVE COVER, POWER SWITCH IP44
51	4	1073.00004.00	POSI-GRIP LOCKING RING
52	4	1073.00005.00	INSERT, LEG, W/RING, (FLANGED
53	1	1402.00024.00	GROUND WIRE, HALOGEN FREE
54	2	1086.00024.00	CABLE CLAMP, 0.375" DIA, NYLON
55	1	1086.00008.00	CONNECTOR, CLAMP, NON-METALLIC CABLE, 3/4"
56	1	1024.00022.00	GRIP, FLAT, RED (.25 x 2.00 x 1.13)
57	4	1084.00023.00	STANDOFF, MALE/FEMALE, ALUM., THREADED HEX #4-40

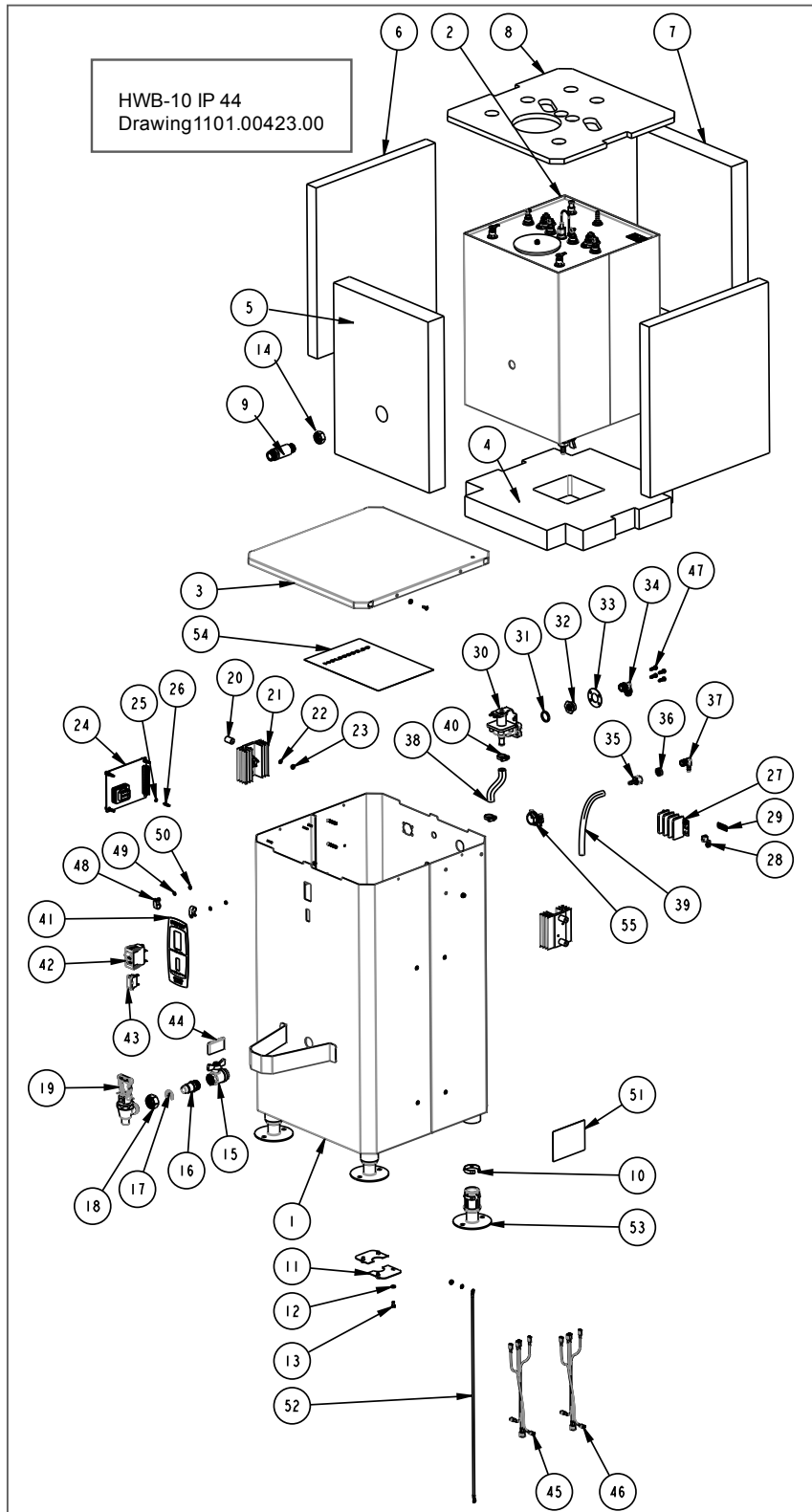


NOTE

The proper controls voltage for domestic (Americas) equipment are 120Vac. Domestic equipment is marked 120/208-240VAC to signify that the first voltage, the 120 Volt is 120 volts for the controls and inlet valve. This configuration also requires a NEUTRAL wire in the wiring bundle. The 208-240VAC of the 120/220-240 rating is for the heaters.

Brewers and parts marked as EXPORT are only for use in non-Americas equipment. EXPORT equipment and IP-44 Maritime equipment have 240 volt control boards and inlet valves. The 240 volt control boards and inlet valves are only for use in equipment marked EXPORT or IP-44 Maritime. This equipment does not require a NEUTRAL in the wiring bundle and is not used for domestic (Americas) equipment

#	Qty	PART NO	DESCRIPTION	Drawing Number	1101.00108.00 HWB-10
1	1	1111.00024.00	WELDMENT, HWB-2010		
2	1	1104.00029.00	ASSEMBLY, TANK, HWB-2010, 2 x 3kW/240VAC (see drawing on page 18)		
3	1	1022.00050.00	INSULATION, TANK BOTTOM, HWB-2010		
4	1	1001.00074.00	COVER, TOP, HWB-2010		
5	1	1022.00049.00	INSULATION, TANK FRONT, HWB-2010		
6	1	1022.00047.00	INSULATION, TANK, TOP, HWB-2010		
7	1	1022.00048.00	INSULATION, TANK BACK, HWB-2010		
8	2	1022.00043.00	INSULATION, TANK, SIDE, HWB-2005/2010		
9	1	1013.00020.00	LOCKNUT, SHANK, 3/4-20		
10	1	1013.00019.00	SHANK REAR HWB-2000		
11	1	1034.00001.00	VALVE, BALL, 1/2" HWB-2000		
12	1	1013.00017.00	SHANK FRONT HWB-2000		
13	1	1071.00012.00	C-RING, FOR TOMLINSON FAUCET		
14	1	1012.00002.00	NUT, FAUCET UNION TPD/HWB		
15	1	1071.00011.00	FAUCET, COMPLETE W/RED HANDLE, HWB-2000		
16	1	1024.00022.00	GRIP, FLAT, RED (.25 x 2.00 x 1.13)		
17	4	1029.00007.00	SPACER, #8 SCREW, 1/2" OD X 3/4" LG, RND UNTHR		
18	2	1102.00026.00	SINK, HEAT, ASSEMBLY, HWB-2000		
19	7	1083.00011.00	WASHER, #8 SCREW SIZE, INTERNAL TOOTH LOCK		
20	7	1084.00006.00	NUT, 8-32 18-8 HEX MACHINE SCREW		
21	1	1057.00006.00	VALVE, S-53, 120VAC 50/60HZ, 0.75GPM ±15%		
21	1	1057.00044.00	FILL VALVE, S53, .75 GPM, 240VAC EXPORT ONLY		
22	1	1024.00020.00	GASKET, S-53 FILL VALVE		
23	1	1031.00004.00	FITTING, S-53 FILL VALVE INLET		
24	1	1003.00019.00	BRACKET, S-53		
25	4	1082.00019.00	SCREW, S-53 FILL VALVE		
26	1	1031.00005.00	FITTING, 90° MALE ELBOW, 3/8 OD TUBE X 3/8 NPT		
27	1	1086.00008.00	CONNECTOR, CABLE CLAMP, 3/4"		
28	1	1031.00017.00	FITTING, BARB 1/4" HOSE ID x 1/4" FPT		
29	1	1031.00007.00	LOCKNUT, 1/4 STRAIGHT PIPE THREAD		
30	1	1031.00016.00	FITTING, 90° ELBOW, 1/4" HOSE ID X 1/4" MPT		
31	1	1052.00010.00	TERMINAL BLOCK, 3 POLE, 30 AMP, 10-22 AWG		
32	1	1065.00002.00	CONNECTOR, COPPER LUG		
33	1	1044.00003.00	LABEL GROUND		
34	1	1042.00006.00	LABEL, 4" X 3" SERIAL NUMBER		
35	1	1108.00013.00	CTRL BOARD AND SOFTWARE ASSY, HWB-2000, 120VAC		
35	1	1108.00012.00	CTRL BOARD AND SOFTWARE ASSY, HWB-2000, 230VAC EXPORT ONLY		
36	4	1029.00006.00	NUT, FINGER, #4-40 NYLON		
37	1	1083.00009.00	WASHER, #6 SCREW , INTL TOOTH LOCKWASHER		
38	1	1084.00010.00	NUT, HEX, #6-32, UNDERSIZED, ZINC PLATED		
39	1	1045.00014.00	OVERLAY, HWB-2010		
40	1	1052.00003.00	BREAKER, CIRCUIT, 240VAC, ROCKER SWITCH, 6AMP		
41	1	1058.00019.00	LAMP "READY", INDICATOR GREEN, 240V		
42	1	1025.00013.00	TUBE, 5/8"OD X 3/8"ID X 4.5"LG,COLD WATER, HWB-2000		
43	4	1102.00027.00	INSERT, LEG, ASSEMBLY, HWB-2000		
44	1	1025.00014.00	TUBE, 1/2"OD X 1/4"ID X 7.0"LG VENT. HWB-2000		
45	2	1086.00001.00	CLAMP, HOSE, 15.0-17.2 DIA RANGE		
46	8	1082.00023.00	SCREW, #8-32 X 3/8 TRUSS HD PHIL., MACHINE		
47	2	1003.00030.00	COVER, DRAIN OPENING, HWB'S		
48	1	1402.00025.00	HARNESS, HIGH AMP, HWB-2010, IP44, HALOGEN FREE		
49	1	1402.00026.00	HARNESS, LOW AMP, HWB-2010, IP44 HALOGEN FREE		
50	1	1401.00012.00	WIRING, HWB-10, 120/208-240V, N,L1,L2+GND		
51	4	1084.00027.00	NUT, CLIP ON (J-NUT), #8-32, 18-16 GA., BPF		

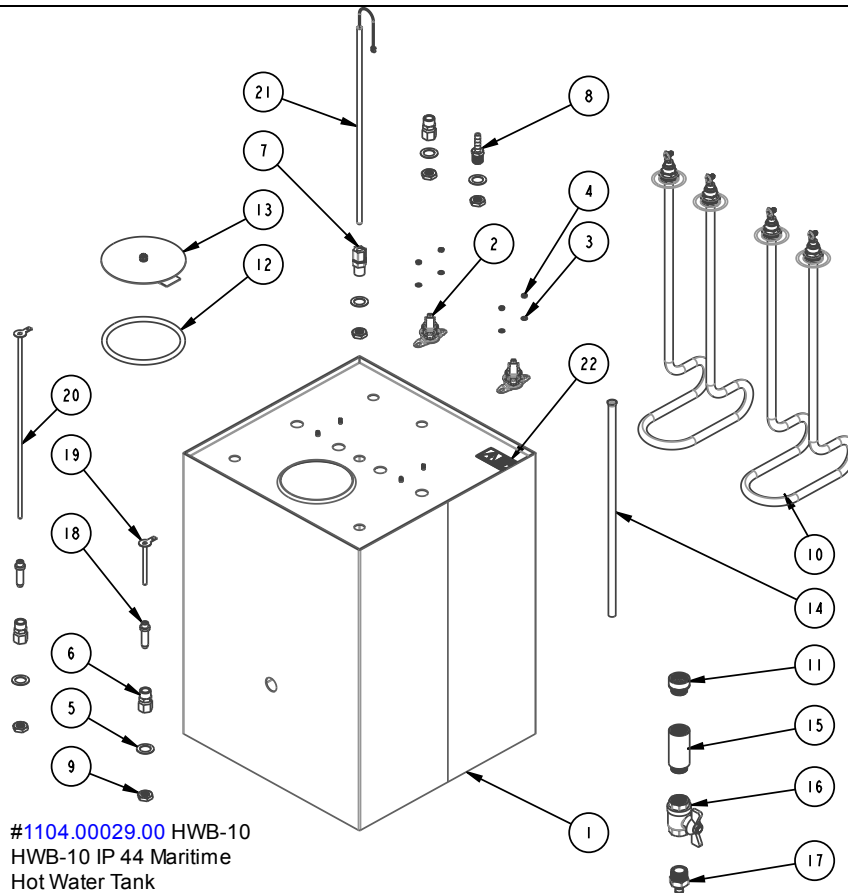


NOTE

The proper controls voltage for domestic (Americas) equipment are 120Vac. Domestic equipment is marked 120/208-240VAC to signify that the first voltage, the 120 Volt is 120 volts for the controls and inlet valve. This configuration also requires a NEUTRAL wire in the wiring bundle. The 208-240VAC of the 120/220-240 rating is for the heaters.

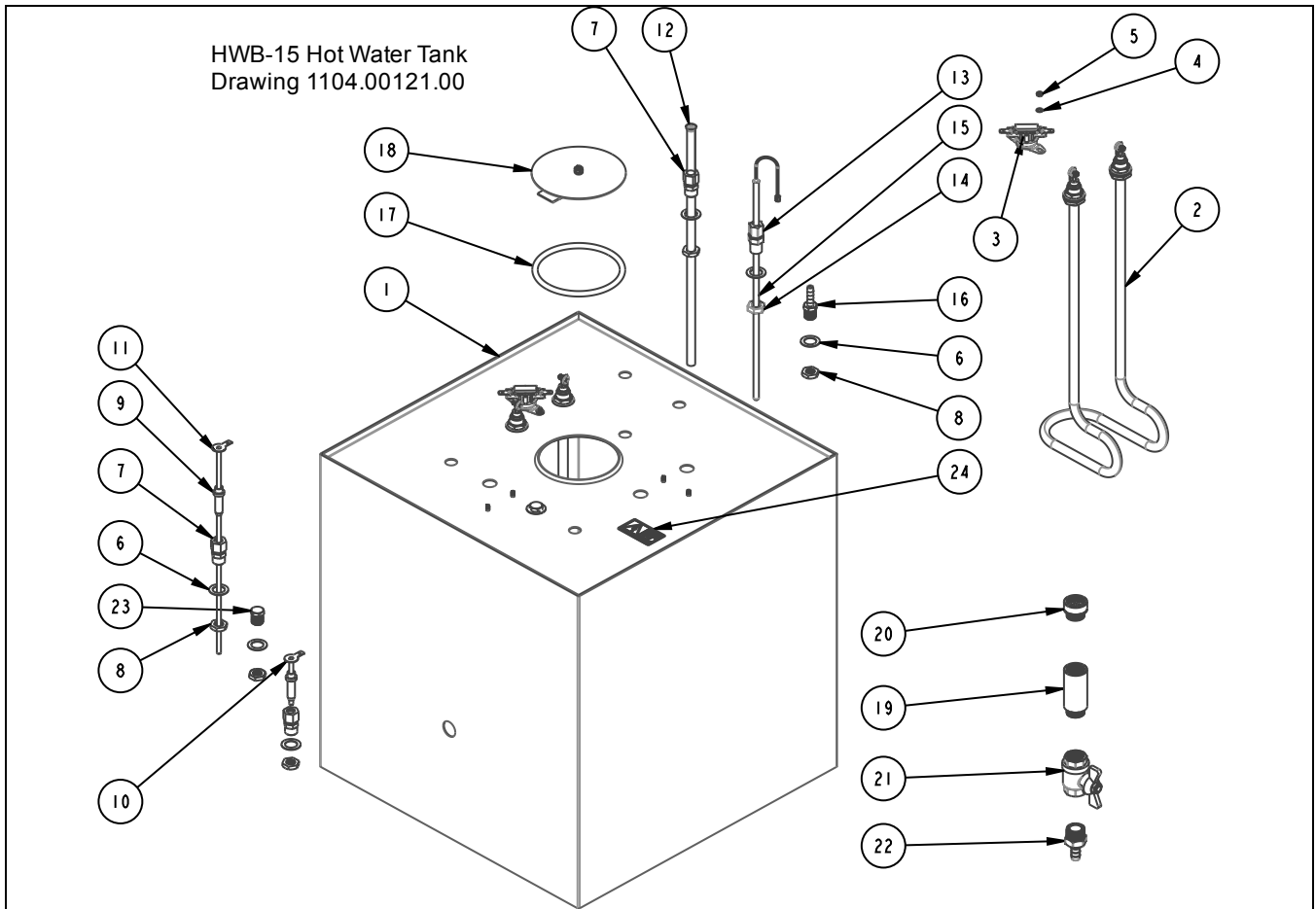
Brewers and parts marked as EXPORT are only for use in non-Americas equipment. EXPORT equipment and IP-44 Maritime equipment have 240 volt control boards and inlet valves. The 240 volt control boards and inlet valves are only for use in equipment marked EXPORT or IP-44 Maritime. This equipment does not require a NEUTRAL in the wiring bundle and is not used for domestic (Americas) equipment

HWB-2010 or HWB-10 HWB-10 IP44 EXPORT ONLY, Not for Americas			
#	Qty	PART NO	DESCRIPTION Drawing Number 1101.00423.00 HWB-10 IP44-Export
1	1	1111.00023.00	WELDMENT, HWB-2010, IP44
2	1	1104.00029.00	ASSEMBLY, TANK, HWB-2010, 2 x 3kW/240VAC (see detailed drawing on page 18)
3	1	1112.00395.00	COVER TOP, HWB-2010, WELDMENT, MARITIME
4	1	1022.00050.00	INSULATION, TANK BOTTOM, HWB-2010
5	1	1022.00049.00	INSULATION, TANK FRONT, HWB-2010
6	2	1022.00043.00	INSULATION, TANK, SIDE, HWB-2005/2010
7	1	1022.00048.00	INSULATION, TANK BACK, HWB-2010
8	1	1022.00047.00	INSULATION, TANK, TOP, HWB-2010
9	1	1013.00019.00	SHANK REAR HWB-2000
10	4	1073.00004.00	POSI-GRIP LOCKING RING
11	2	1003.00030.00	COVER, DRAIN OPENING, HWB'S
12	8	1083.00010.00	WASHER, #10 SCREW W/NEOPRENE-BONDED SEA L
13	8	1082.00063.00	SCREW, # 8-32 x 3/8", HEX HD, MS, 18-8 SS
14	1	1013.00020.00	LOCKNUT, SHANK, 3/4-20
15	1	1034.00001.00	VALVE, BALL, 1/2" HWB-2000
16	1	1013.00017.00	SHANK FRONT HWB-2000
17	1	1071.00012.00	C-RING, FOR TOMLINSON FAUCET
18	1	1012.00002.00	NUT, FAUCET UNION TPD/HWB
19	1	1071.00011.00	FAUCET, COMPLETE W/RED HANDLE, HWB-2000
20	4	1029.00007.00	SPACER, #8 SCREW, 1/2" OD X 3/4" LG, RND UNTHR.
21	2	1102.00026.00	SINK, HEAT, ASSEMBLY, HWB-2000
22	9	1083.00011.00	WASHER, #8 SCREW SIZE, INTERNAL TOOTH LOCK
23	9	1084.00006.00	NUT, 8-32 18-8 HEX MACHINE SCREW
24	1	1108.00012.00	CTRL BOARD AND SOFTWARE ASSY, HWB-2000, 230VAC EXPORT ONLY
25	4	1083.00029.00	LOCKWASHER, #4 SCREW SIZE, INTERNAL TOOTH
26	4	1084.00023.00	STANDOFF, MALE-FEMALE, ALUMINUM, THREADED HEX 4-40
27	1	1052.00010.00	TERMINAL BLOCK, 3 POLE, 30 AMP, 10-22 AWG
28	1	1065.00002.00	CONNECTOR, COPPER LUG
29	1	1044.00003.00	LABEL GROUND
30	1	1057.00044.00	FILL VALVE, S53, .75 GPM, 240VAC EXP
31	1	1024.00020.00	GASKET, S-53 FILL VALVE
32	1	1031.00004.00	FITTING, S-53 FILL VALVE INLET
33	1	1003.00019.00	BRACKET, S-53
34	1	1031.00005.00	FITTING, 90° MALE ELBOW, 3/8 OD TUBE X 3/8 NPT
35	1	1031.00017.00	FITTING, BARB 1/4" HOSE ID x 1/4" FPT
36	1	1031.00007.00	LOCKNUT, 1/4 STRAIGHT PIPE THREAD
37	1	1031.00016.00	FITTING, 90° ELBOW, 1/4" HOSE ID X 1/4" MPT
38	1	1025.00013.00	TUBE, 5/8"OD X 3/8"ID X 4.5"LG,COLD WATER, HWB-2000
39	1	1025.00014.00	TUBE, 1/2"OD X 1/4"ID X 7.0"LG VENT. HWB-2000
40	2	1086.00001.00	CLAMP, HOSE, 15.0-17.2 DIA RANGE
41	1	1045.00014.00	OVERLAY, HWB-2010
42	1	1052.00003.00	BREAKER, CIRCUIT, 240VAC, ROCKER SWITCH, 6AMP
43	1	1058.00018.00	LAMP "READY" INDICATOR GREEN, 230VAC
44	1	1024.00022.00	GRIP, FLAT, RED (.25 x 2.00 x 1.13)
45	1	1402.00026.00	HARNESS, LOW AMP, HWB-2010, IP44 HALOGEN FREE
46	1	1402.00025.00	HARNESS, HIGH AMP, HWB-2010, IP44, HALOGEN FREE
47	4	1082.00019.00	SCREW, S-53 FILL VALVE
48	2	1086.00024.00	CABLE CLAMP, 0.375" DIA, NYLON
49	2	1083.00009.00	WASHER, #6 SCREW , INTL TOOTH LOCKWASHER
50	2	1084.00010.00	NUT, HEX, #6-32, UNDERSIZED, ZINC PLATED
51	1	1042.00006.00	LABEL, 4" X 3" SERIAL NUMBER
52	1	1402.00024.00	GROUND WIRE, HALOGEN FREE
53	4	1073.00005.00	INSERT, LEG, W/RING, (FLANGED)
54	1	1401.00093.00	WIRING DIAGRAM, HWB-10, 220-240/VAC L1, L2, GND
55	1	1086.00008.00	CONNECTOR, CABLE CLAMP, 3/4"



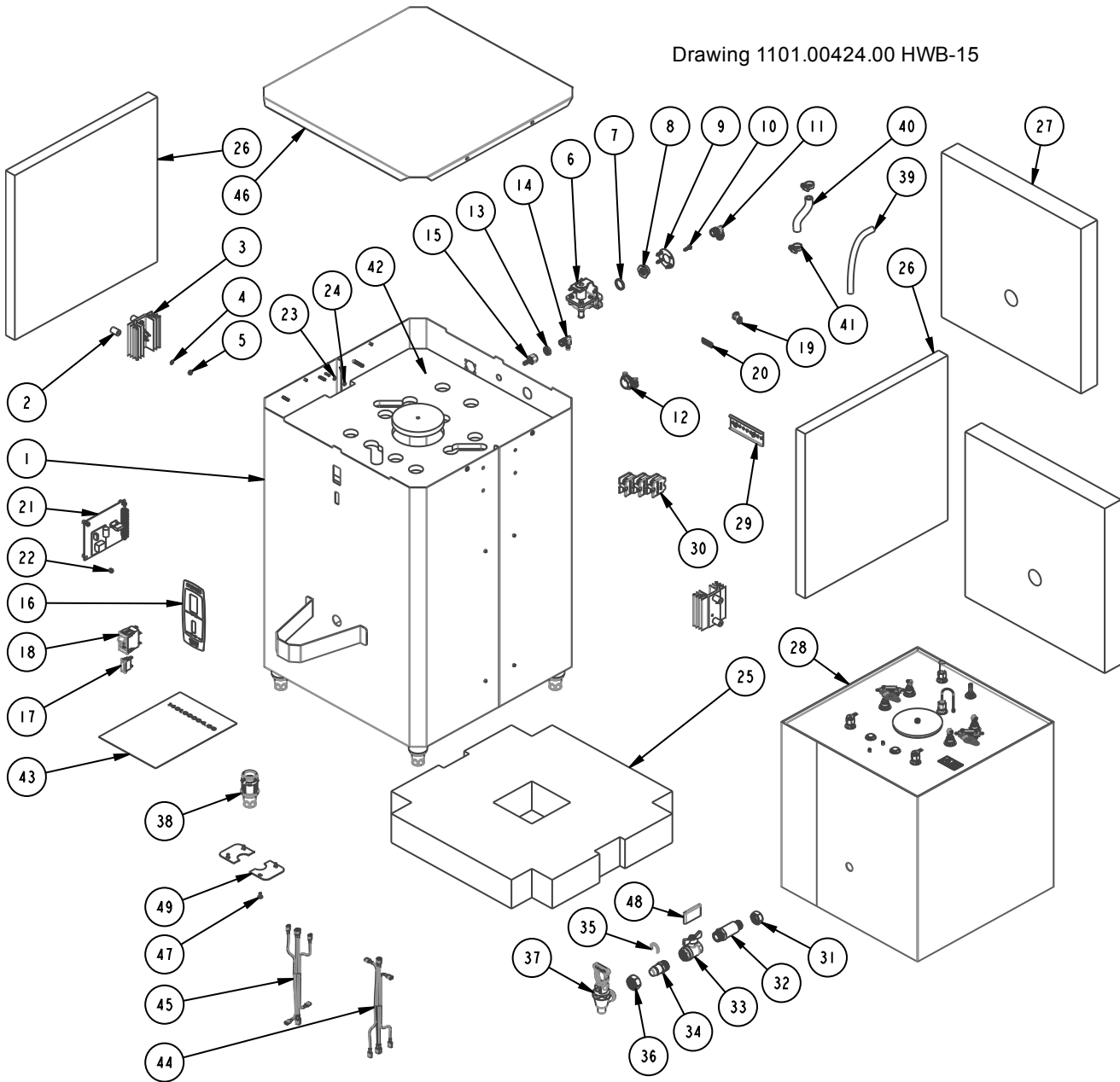
HOT WATER TANK, HWB-2010, 2 x 3kW/240VAC DRAWING NO. 1104.00029.00

#	Qty	PART NO	DESCRIPTION	Drawing Number
1	1	1114.00044.00	WELDMENT, TANK HWB-2010	1104.00029.00 HWB-10 IP44-All types
2	2	1053.00051.00	THERMOSTAT, SINGLE SHOT, 240V/25A	
3	4	1083.00009.00	WASHER, #6 SCREW , INTL TOOTH LOCKWASHER	
4	4	1084.00010.00	NUT, HEX, #6-32, UNDERSIZED, ZINC PLATED	
5	5	1083.00006.00	WASHER, .875" OD X 0.562" ID FLAT	
6	3	1031.00006.00	FITTING, COMP., 3/8 TUBE OD X 1/4 MPT	
7	1	1025.00001.00	FITTING, COMPRESSION MALE CONNECTOR	
8	1	1031.00054.00	FITTING, BARB, 1/4" HOSE ID X 1/4" MALE PIPE	
9	1	1031.00007.00	LOCKNUT, 1/4 STRAIGHT PIPE THREAD	
10	2	1107.00006.00	HEATER ASSY, IMMERSION, 3000W/240VAC, HWB-2000	
10	2	1107.00007.00	HEATER ASSY, IMMERSION, 4000W/240VAC, HWB-2000	
11	1	1031.00014.00	FITTING, EXTENSION 1/2"FPT x 1/2" MPT x 0.45"LG	
12	1	1024.00007.00	O-RING, DASH #344, TANK COVER	
13	1	1102.00007.00	TANK COVER ASSEMBLY	
14	1	1032.00003.00	TUBE, 3/8"OD X 13" LG, COLD WATER INLET, HWB-2000	
15	1	1031.00015.00	FITTING, EXTENSION 1/2"FPT x 1/2" MPT x 2.00"LG	
16	1	1034.00001.00	VALVE, BALL, 1/2" FPT X 1/2" FPT	
17	1	1031.00013.00	FITTING, HOSE BARB 3/8" x 1/2" MPT	
18	2	1021.00002.00	HOUSING, WATER LEVEL PROBE	
19	1	1112.00029.00	PROBE WELDMENT, WATER LEVEL, 2.50" LONG	
20	1	1112.00030.00	PROBE WELDMENT, WATER LEVEL, 11.25" LONG	
21	1	1102.00025.00	PROBE ASSEMBLY, DIGITAL TEMPERATURE, 12.0" LG	
22	1	1044.00004.00	LABEL, DANGER, HIGH VOLTAGE	



HOT WATER TANK, HWB-2015, 3 x 3kW/240VAC DRAWING NO. 1104.00121.00

#	Qty	PART NO	DESCRIPTION
1	1	1114.00015.00	TANK WELDMENT, HWB-2015
2	3	1107.00006.00	HEATER ASSY, IMMERSION, 3000W/240VAC, HWB-2000
2	3	1107.00007.00	HEATER ASSY, IMMERSION, 4000W/240VAC, HWB-2000
3	2	1053.00051.00	THERMOSTAT, SINGLE SHOT, 240V/25A
4	4	1083.00009.00	WASHER, #6 SCREW , INTL TOOTH LOCKWASHER
5	4	1084.00010.00	NUT, HEX, #6-32, UNDERSIZED, ZINC PLATED
6	7	1083.00006.00	WASHER, .875" OD X 0.562" ID FLAT
7	3	1031.00006.00	FITTING, COMP., 3/8 TUBE OD X 1/4 MPT
8	6	1031.00007.00	LOCKNUT, 1/4 STRAIGHT PIPE THREAD
9	2	1021.00002.00	HOUSING, WATER LEVEL PROBE
10	1	1112.00029.00	PROBE WELDMENT, WATER LEVEL, 2.50" LONG
11	1	1112.00030.00	PROBE WELDMENT, WATER LEVEL, 11.25" LONG
12	1	1032.00003.00	TUBE, 3/8"OD X 13" LG, COLD WATER INLET, HWB-2000
13	1	1025.00001.00	FITTING, COMPRESSION MALE CONNECTOR
14	1	1023.00003.00	LOCKNUT, MODIFIED THREAD, 1/4-18 NPT
15	1	1102.00025.00	PROBE ASSEMBLY, DIGITAL TEMPERATURE, 12.0" LG
16	1	1031.00054.00	FITTING, BARB, 1/4" HOSE ID X 1/4" MALE PIPE
17	1	1024.00007.00	O-RING, DASH #344, TANK COVER
18	1	1102.00007.00	TANK COVER ASSEMBLY
19	1	1031.00015.00	FITTING, EXTENSION 1/2"FPT x 1/2" MPT x 2.00"LG
20	1	1031.00014.00	FITTING, EXTENSION 1/2"FPT x 1/2" MPT x 0.45"LG
21	1	1034.00001.00	VALVE, BALL, 1/2" FPT X 1/2" FPT
22	1	1031.00013.00	FITTING, HOSE BARB 3/8" x 1/2" MPT
23	2	1031.00036.00	FITTING, PLUG, 1/4" MALE PIPE HEX HEAD
24	1	1044.00004.00	LABEL, DANGER, HIGH VOLTAGE

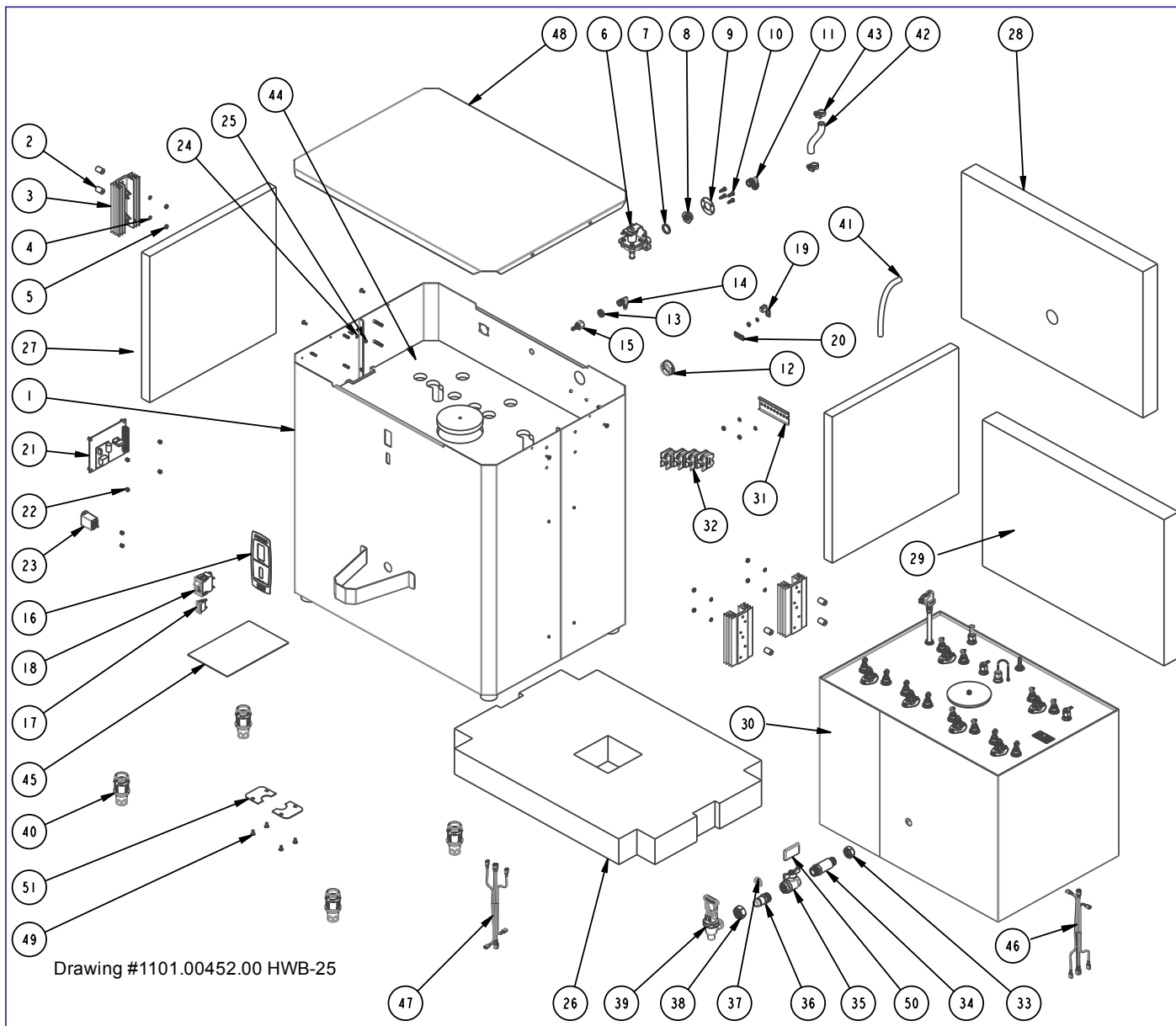


NOTE

The proper controls voltage for domestic (Americas) equipment are 120Vac. Domestic equipment is marked 120/208-240VAC to signify that the first voltage, the 120 Volt is 120 volts for the controls and inlet valve. This configuration also requires a NEUTRAL wire in the wiring bundle. The 208-240VAC of the 120/220-240 rating is for the heaters.

Brewers and parts marked as EXPORT are only for use in non-Americas equipment. EXPORT equipment and IP-44 Maritime equipment have 240 volt control boards and inlet valves. The 240 volt control boards and inlet valves are only for use in equipment marked EXPORT or IP-44 Maritime. This equipment does not require a NEUTRAL in the wiring bundle and is not used for domestic (Americas) equipment

HWB-2015 or HWB-15 Domestic - for Americas and EXPORT			
#	Qty	PART NO	DESCRIPTION Drawing Number 1101.00424.00 HWB-15
1	1	1111.00008.00	BODY, WELDMENT, HWB-2015
2	4	1029.00007.00	SPACER, #8 SCREW, 1/2" OD X 3/4" LG, RND UNTHR.
3	2	1102.00026.00	SINK, HEAT, ASSEMBLY, HWB-2000
4	7	1083.00011.00	WASHER, #8 SCREW SIZE, INTERNAL TOOTH LOCK
5	7	1084.00006.00	NUT, 8-32 18-8 HEX MACHINE SCREW
6	1	1057.00006.00	VALVE, S-53, 120VAC 50/60HZ, 0.75GPM ±15%
6	1	1057.00044.00	FILL VALVE, S53, .75 GPM, 240VAC EXPORT ONLY
7	1	1024.00020.00	GASKET, S-53 FILL VALVE
8	1	1031.00004.00	FITTING, S-53 FILL VALVE INLET
9	1	1003.00019.00	BRACKET, S-53
10	4	1082.00019.00	SCREW, S-53 FILL VALVE
11	1	1031.00005.00	FITTING, 90° MALE ELBOW, 3/8 OD TUBE X 3/8 NPT
12	1	1086.00008.00	CONNECTOR, CLAMP, NON-METALLIC CABLE, 3/4"
13	1	1031.00007.00	LOCKNUT, 1/4 STRAIGHT PIPE THREAD
14	1	1031.00016.00	FITTING, 90° ELBOW, 1/4" HOSE ID X 1/4" MPT
15	1	1031.00017.00	FITTING, BARB 1/4" HOSE ID x 1/4" FPT
16	1	1045.00005.00	OVERLAY, HWB-2015
17	1	1058.00004.00	LAMP, "READY" INDICATOR, GREEN, 110 VAC
18	1	1052.00003.00	BREAKER, CIRCUIT, 240VAC, ROCKER SWITCH, 6AMP
19	1	1065.00002.00	CONNECTOR, COPPER LUG
20	1	1044.00003.00	LABEL GROUND
21	1	1108.00013.00	CTRL BOARD AND SOFTWARE ASSY, HWB-2000, 120VAC
24	1	1108.00012.00	CTRL BOARD AND SOFTWARE ASSY, HWB-2000, 230VAC EXPORT ONLY
22	4	1029.00006.00	NUT, FINGER KNURLED, #4-40
23	1	1083.00009.00	WASHER, #6 SCREW , INTL TOOTH LOCKWASHER
24	1	1084.00010.00	NUT, HEX, #6-32, UNDERSIZED, ZINC PLATED
25	1	1022.00010.00	INSULATION, TANK BOTTOM, HWB-2015
26	2	1022.00014.00	INSULATION, TANK SIDE, HWB-2015/2025
27	2	1022.00013.00	INSULATION, TANK FRONT, HWB-2015
28	1	1104.00121.00	TANK ASSEMBLY, HWB-2015, 2 X 3kW/240VAC (see detailed drawing on page 19)
28	1	1104.00012.00	TANK ASSEMBLY, HWB-2015, 3 X 3kW/240VAC (see detailed drawing on page 19)
29	1	1052.00005.00	TERMINAL BLOCK TRACK
30	3	1052.00004.00	TERMINAL BLOCK
31	1	1013.00020.00	LOCKNUT, SHANK, 3/4-20
32	1	1013.00019.00	SHANK REAR HWB-2000
33	1	1034.00001.00	VALVE, BALL, 1/2" FPT X 1/2" FPT
34	1	1013.00017.00	SHANK FRONT HWB-2000
35	1	1071.00012.00	C-RING, FOR TOMLINSON FAUCET
36	1	1012.00002.00	NUT, FAUCET UNION TPD/HWB
37	1	1071.00011.00	FAUCET, COMPLETE W/RED HANDLE, HWB-2000
38	4	1102.00027.00	INSERT, LEG, ASSEMBLY, HWB-2000
39	1	1025.00014.00	TUBE, 1/2"OD X 1/4"ID X 7.0"LG VENT. HWB-2000
40	1	1025.00013.00	TUBE, 5/8"OD X 3/8"ID X 4.5"LG
41	2	1086.00001.00	CLAMP, HOSE, .590" - .673" DIA RANGE
42	1	1022.00011.00	INSULATION, TANK TOP, HWB-2015
43	1	1401.00004.00	WIRING DIAGRAM, HWB-15, L1, L2+GND,120/208-240VAC, 2-HEATERS
44	1	1402.00006.00	HARNESS, LOW AMP, 3PH, HWB-2015
45	1	1402.00007.00	HARNESS, HIGH AMP, 3PH, HWB-2015
46	1	1001.00027.00	COVER, TOP HWB-2015
47	8	1082.00023.00	SCREW, #8-32 X 3/8 TRUSS HD PHIL., MACHINE
48	1	1024.00022.00	GRIP, FLAT, RED (.25 x 2.00 x 1.13)
49	2	1003.00030.00	COVER, DRAIN OPENING, HWB'S

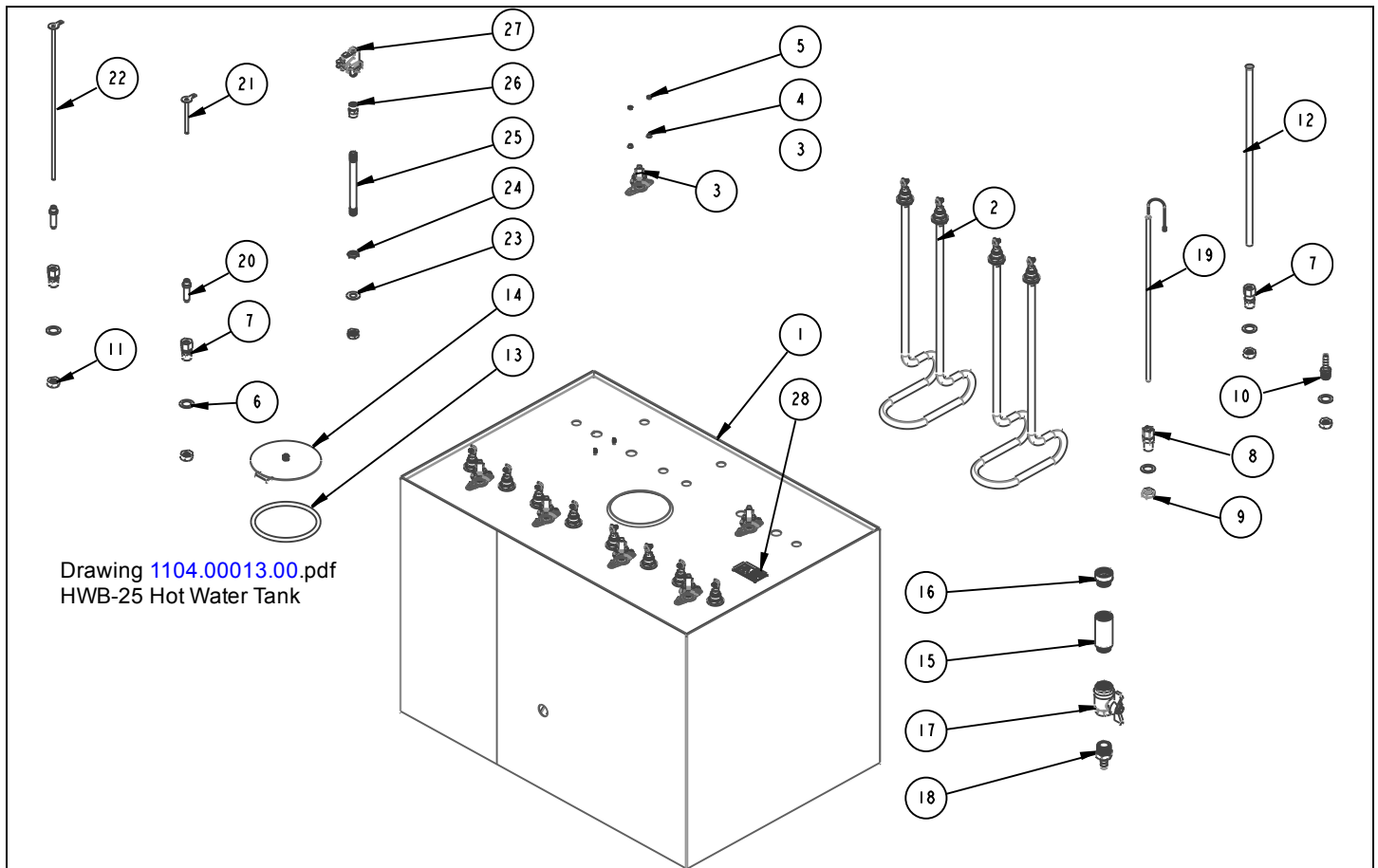


NOTE

The proper controls voltage for domestic (Americas) equipment are 120Vac. Domestic equipment is marked 120/208-240VAC to signify that the first voltage, the 120 Volt is 120 volts for the controls and inlet valve. This configuration also requires a NEUTRAL wire in the wiring bundle. The 208-240VAC of the 120/220-240 rating is for the heaters.

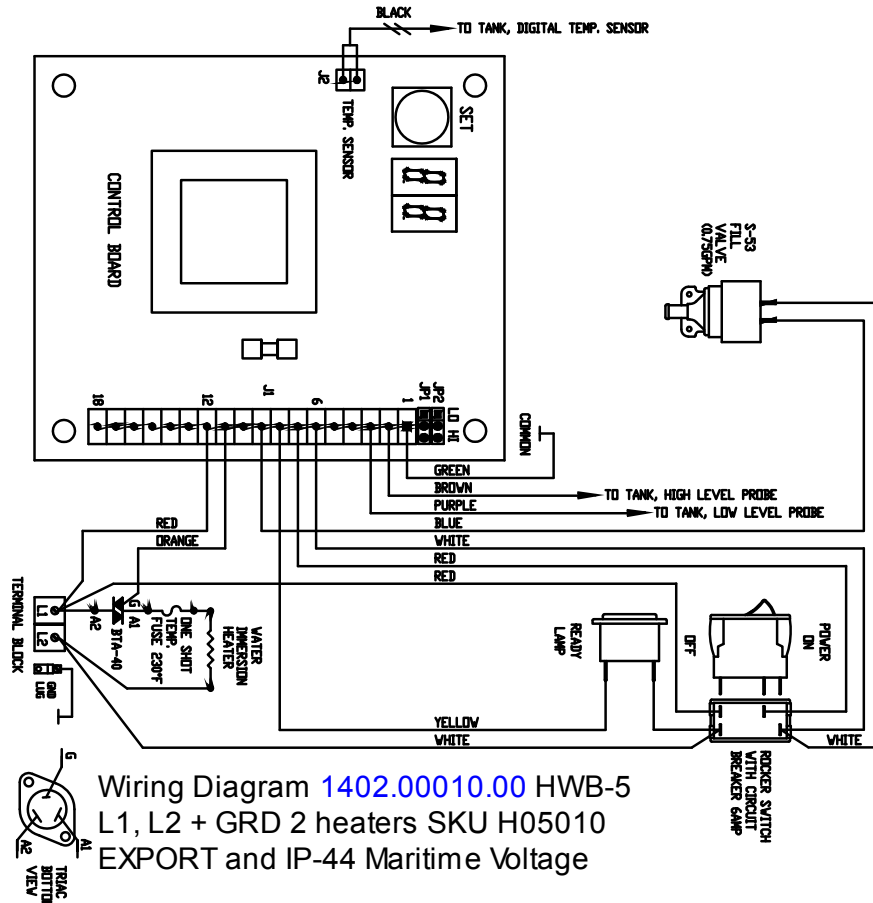
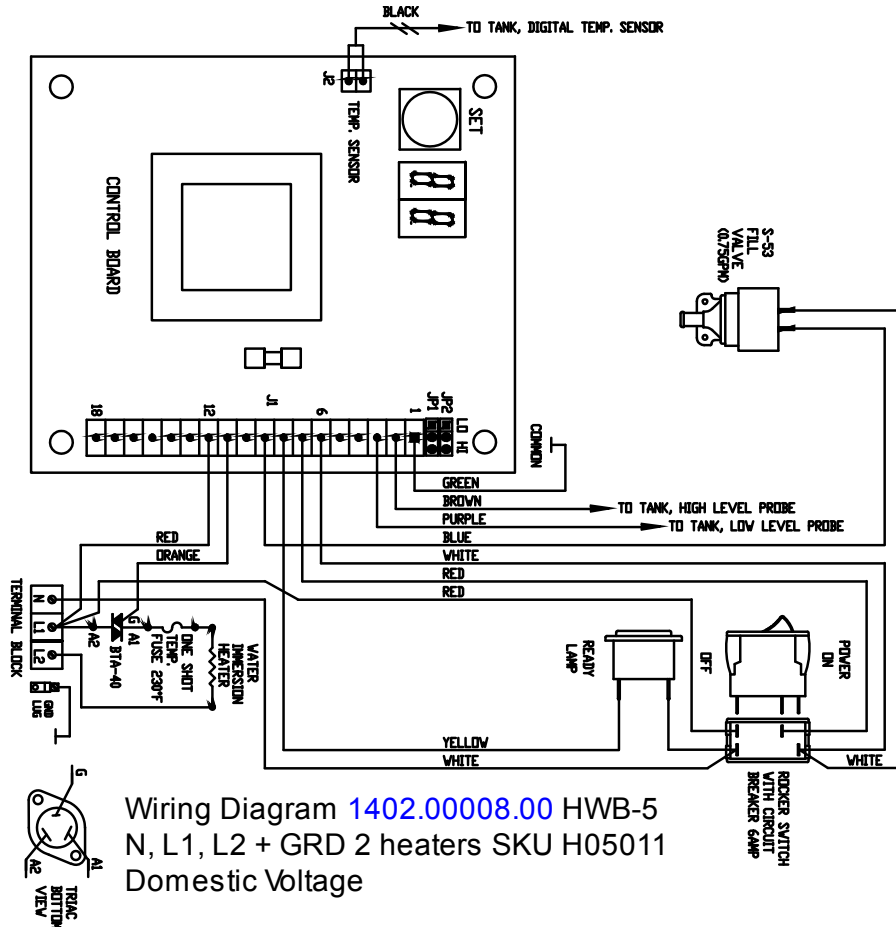
Brewers and parts marked as EXPORT are only for use in non-Americas equipment. EXPORT equipment and IP-44 Maritime equipment have 240 volt control boards and inlet valves. The 240 volt control boards and inlet valves are only for use in equipment marked EXPORT or IP-44 Maritime. This equipment does not require a NEUTRAL in the wiring bundle and is not used for domestic (Americas) equipment

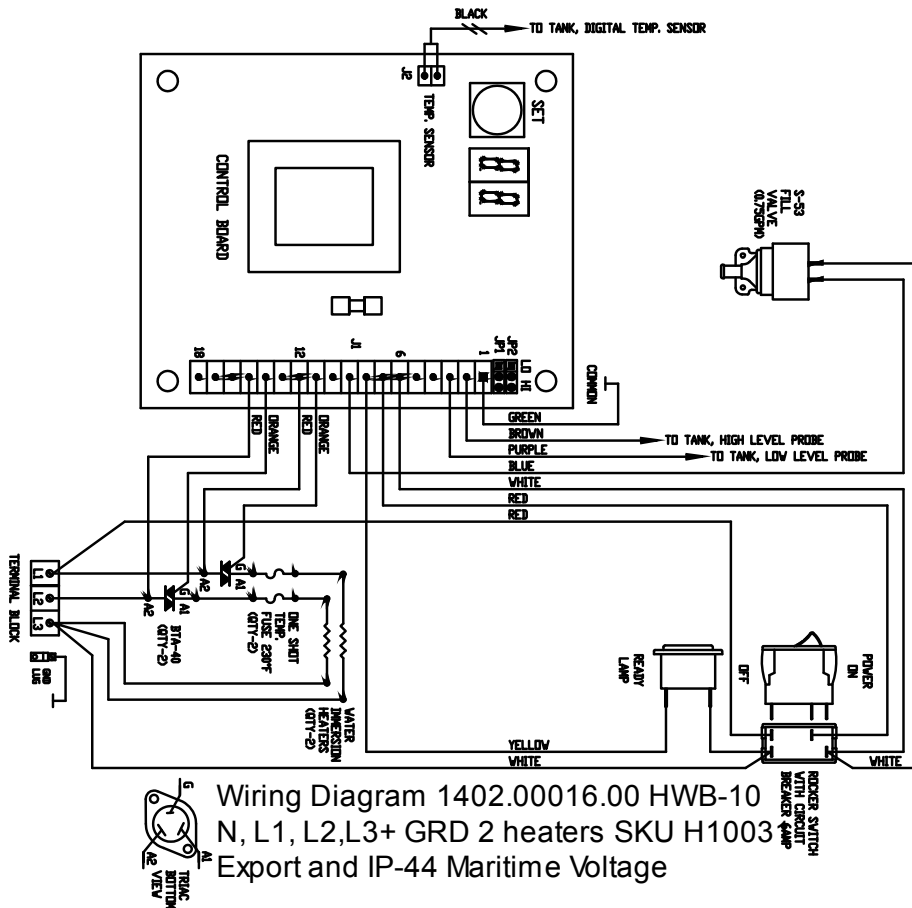
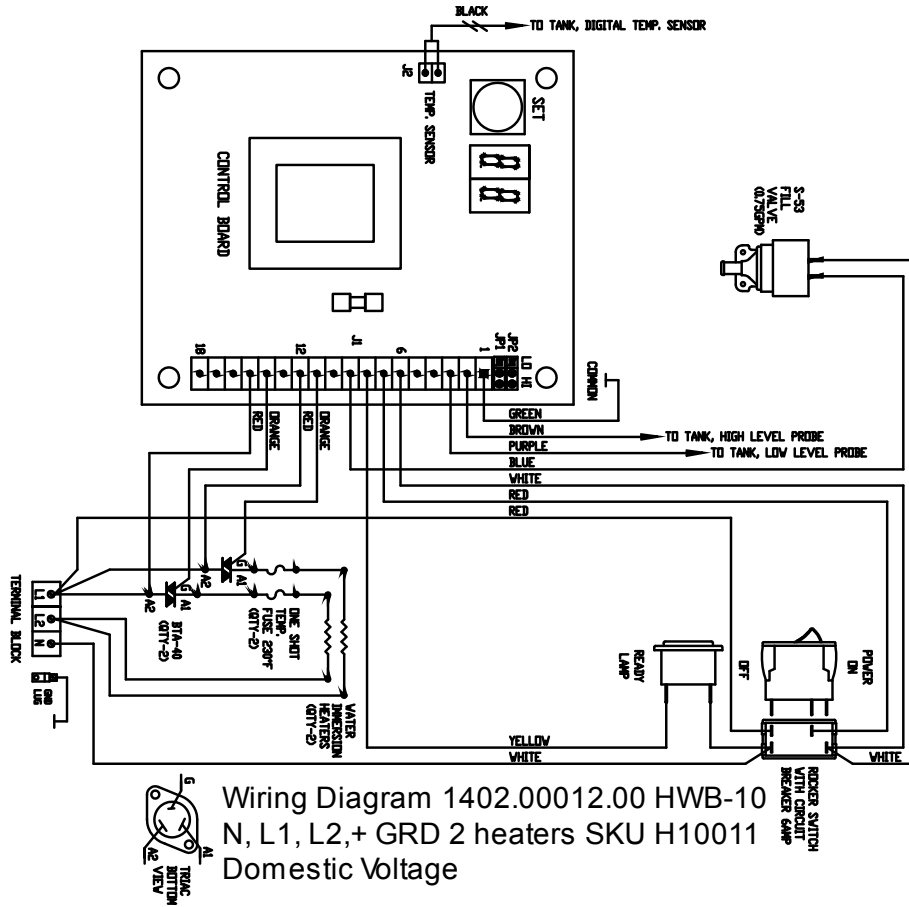
HWB-2025 or HWB-25 Domestic - for Americas and EXPORT			
#	Qty	PART NO	DESCRIPTION Drawing Number 1101.00452.00 HWB-25
1	1	1111.00010.00	BODY, WELDMENT, HWB-2025
2	6	1029.00007.00	SPACER, #8 SCREW, 1/2" OD X 3/4" LG, RND UNTHR
3	3	1102.00028.00	SINK, HEAT, ASSEMBLY, HWB-2025
4	9	1083.00011.00	WASHER, #8 SCREW SIZE, INTERNAL TOOTH LOCK
5	9	1084.00006.00	NUT, 8-32 18-8 HEX MACHINE SCREW
6	1	1057.00006.00	VALVE, S-53, 120VAC 50/60HZ, 0.75GPM ±15%
6	1	1057.00044.00	FILL VALVE, S53, .75 GPM, 240VAC EXPORT ONLY
7	1	1024.00020.00	GASKET, S-53 FILL VALVE
8	1	1031.00004.00	FITTING, S-53 FILL VALVE INLET
9	1	1003.00019.00	BRACKET, S-53
10	4	1082.00019.00	SCREW, S-53 FILL VALVE
11	1	1031.00005.00	FITTING, 90° MALE ELBOW, 3/8 OD TUBE X 3/8 NPT
12	1	1086.00011.00	BUSHING, SNAP, 1.375 MTG HOLE
13	1	1031.00007.00	LOCKNUT, 1/4 STRAIGHT PIPE THREAD
14	1	1031.00016.00	FITTING, 90° ELBOW, 1/4" HOSE ID X 1/4" MPT
15	1	1031.00017.00	FITTING, BARB 1/4" HOSE ID x 1/4" FPT
16	1	1045.00006.00	OVERLAY, HWB-2025
17	1	1058.00004.00	LAMP, "READY" INDICATOR, GREEN, 110 VAC
18	1	1052.00003.00	BREAKER, CIRCUIT, 240VAC, ROCKER SWITCH, 6AMP
19	1	1065.00004.00	CONNECTOR, COPPER LUG SLU-70
20	1	1044.00003.00	LABEL GROUND
21	1	1108.00013.00	CTRL BOARD AND SOFTWARE ASSY, HWB-2000, 120VAC
21	1	1108.00012.00	CTRL BOARD AND SOFTWARE ASSY, HWB-2000, 230VAC EXPORT ONLY
22	6	1029.00006.00	NUT, FINGER KNURLED, #4-40
23	1	1052.00006.00	RELAY, OMRON, 120V, 1/2HP
24	1	1083.00009.00	WASHER, #6 SCREW, INTL TOOTH LOCKWASHER
25	1	1084.00010.00	NUT, HEX, #6-32, UNDERSIZED, ZINC PLATED
26	1	1022.00015.00	INSULATION, TANK BOTTOM, HWB-2025
27	2	1022.00014.00	INSULATION, TANK SIDE, HWB-2015/2025
28	1	1022.00017.00	INSULATION, TANK FRONT, HWB-2025
29	1	1022.00016.00	INSULATION, TANK BACK, HWB-2025
30	1	1104.00013.00	TANK ASSEMBLY, HWB-2025, 6 x 3kW/240VAC (see detailed drawing on page 24)
30	1	1104.00122.00	TANK ASSEMBLY, HWB-2025, 6 x 4kW/240VAC (see detailed drawing on page 24)
31	1	1052.00005.00	TERMINAL BLOCK TRACK
32	4	1052.00004.00	TERMINAL BLOCK
33	1	1013.00020.00	LOCKNUT, SHANK, 3/4-20
34	1	1013.00019.00	SHANK REAR HWB-2000
35	1	1034.00001.00	VALVE, BALL, 1/2" HWB-2000
36	1	1013.00017.00	SHANK FRONT HWB-2000
37	1	1071.00012.00	C-RING, FOR TOMLINSON FAUCET
38	1	1012.00002.00	NUT, FAUCET UNION TPD/HWB
39	1	1071.00011.00	FAUCET, COMPLETE W/RED HANDLE, HWB-2000
40	4	1102.00027.00	INSERT, LEG, ASSEMBLY, HWB-2000
41	1	1025.00014.00	TUBE, 1/2"OD X 1/4"ID X 7.0"LG VENT. HWB-2000
42	1	1025.00013.00	TUBE, 5/8"OD X 3/8"ID X 4.5"LG,COLD WATER, HWB-2000
43	2	1086.00001.00	CLAMP, HOSE, .590" - .673" DIA RANGE
44	1	1022.00018.00	INSULATION, TANK TOP, HWB-2025
45	1	1401.00006.00	WIRING DIAGRAM, HWB-2025, L1, L2, L3, N+GND, 120/208-240 VAC, 6 HEATERS
46	1	1402.00009.00	HARNESS, LOW AMP, 3PH, HWB-2025
47	1	1402.00008.00	HARNESS, HIGH AMP, 3PH, HWB-2025
48	1	1001.00030.00	COVER, TOP, HWB-2025
49	8	1082.00023.00	SCREW, #8-32 X 3/8 TRUSS HD PHIL., MACHINE
50	1	1024.00022.00	GRIP, FLAT, RED (.25 x 2.00 x 1.13)
51	2	1003.00030.00	COVER, DRAIN OPENING, HWB'S

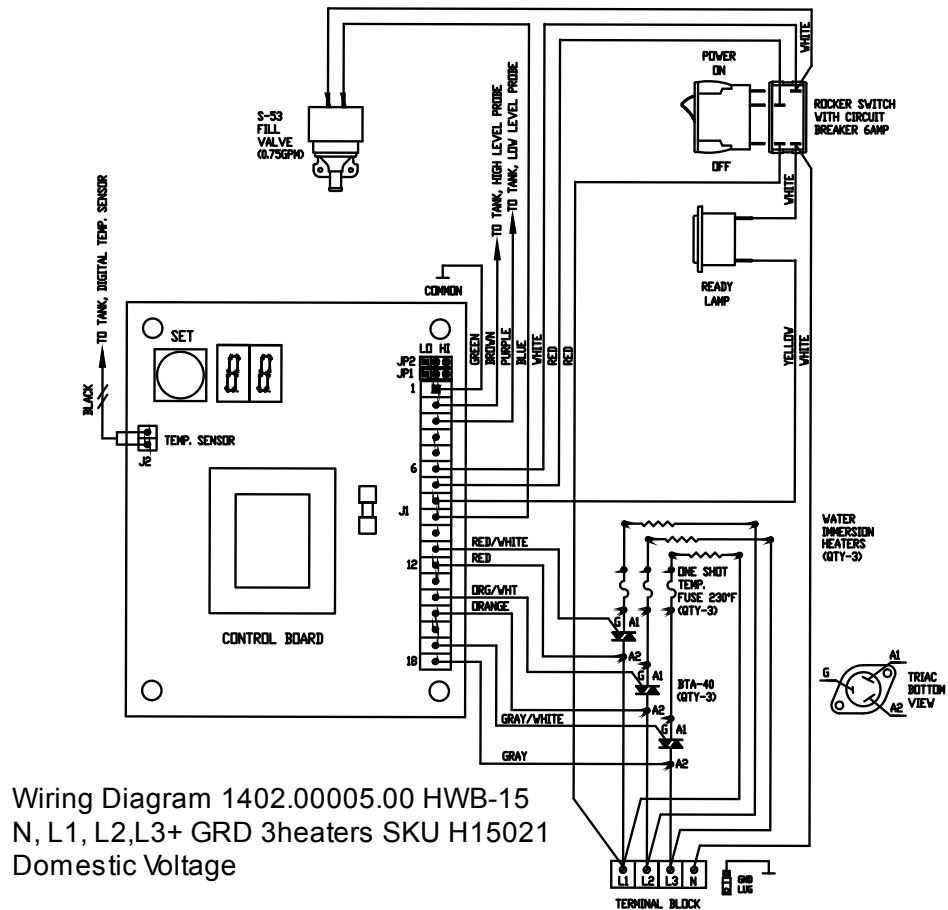
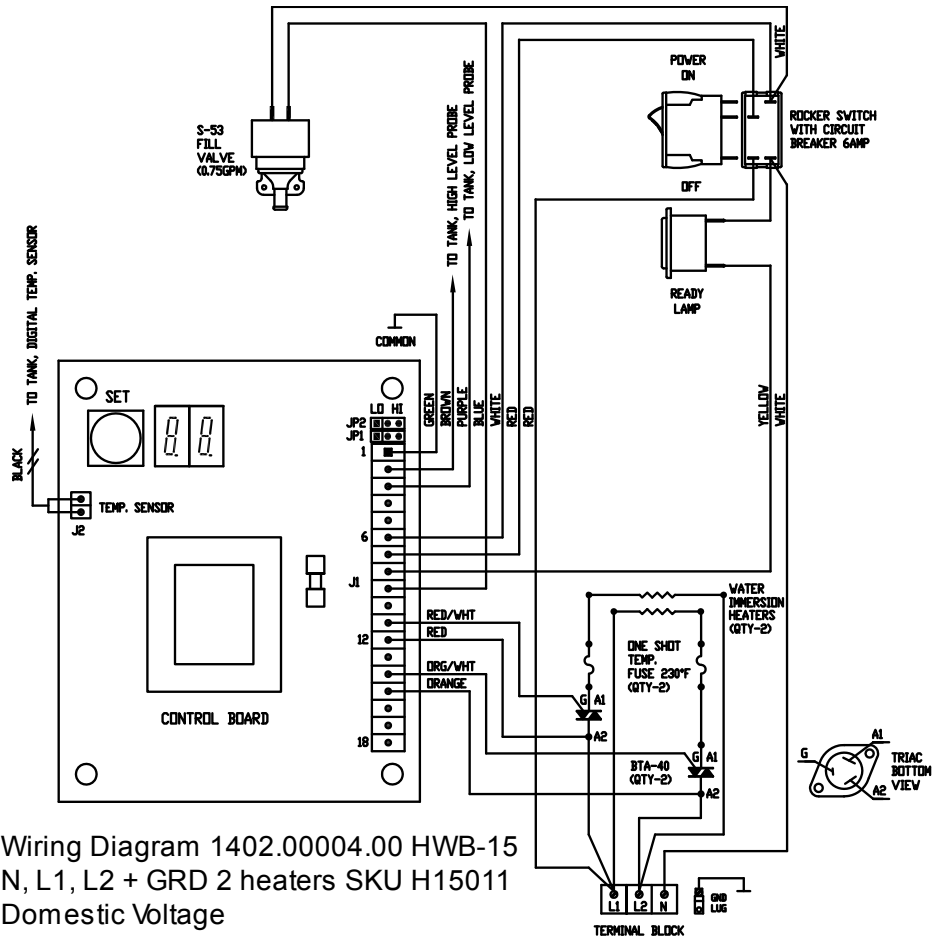


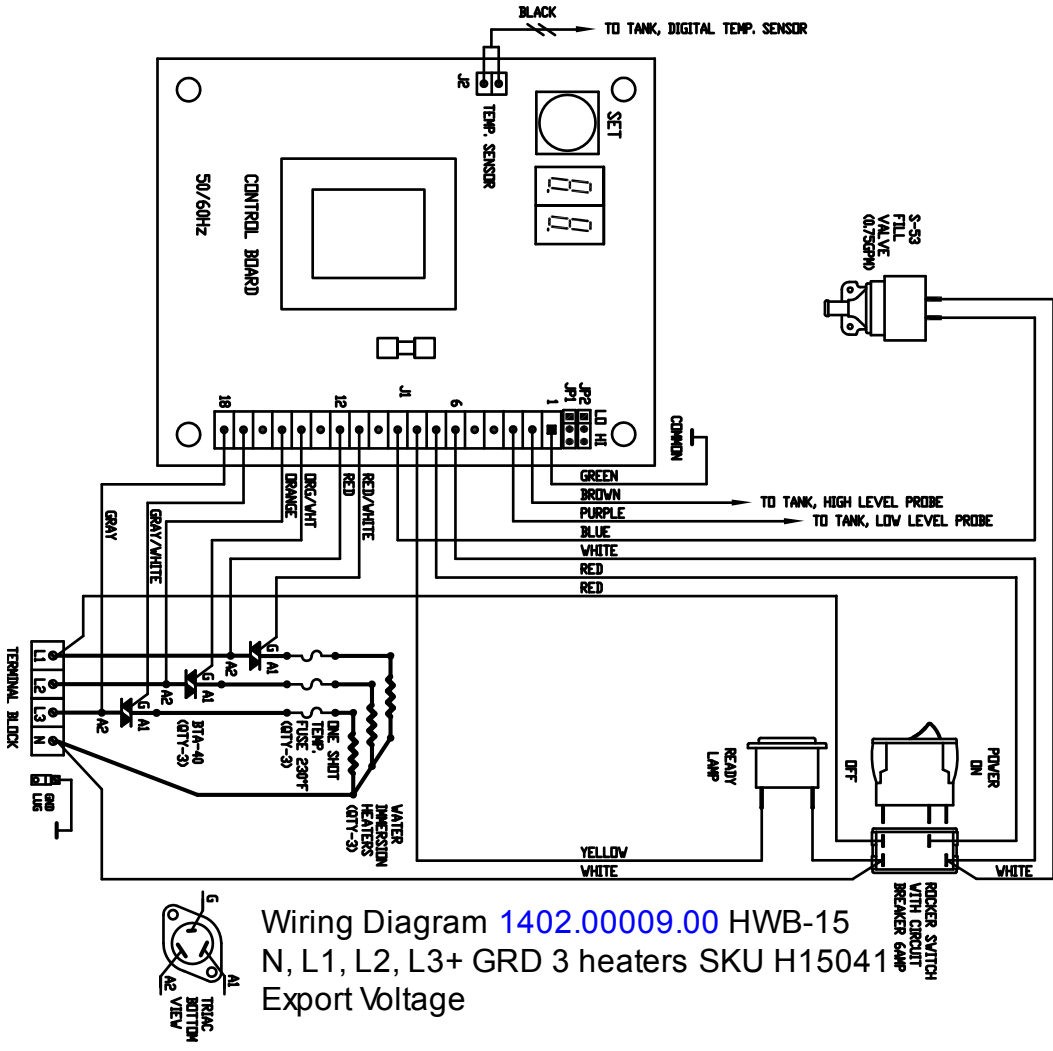
#	Qty	PART NO	DESCRIPTION Drawing Number 1104.00013.00 HWB-25
1	1	1114.00017.00	TANK WELDMENT, HWB-2025
2	6	1107.00006.00	HEATER ASSY, IMMERSION, 3000W/240VAC, HWB-2000
2	6	1107.00007.00	HEATER ASSY, IMMERSION, 4000W/240VAC, HWB-2000
3	6	1053.00051.00	THERMOSTAT, SINGLE SHOT, 240V/25A
4	12	1083.00009.00	WASHER, #6 SCREW, INTL TOOTH LOCKWASHER
5	12	1084.00010.00	NUT, HEX, #6-32, UNDERSIZED, ZINC PLATED
6	5	1083.00006.00	WASHER, .875" OD X 0.562" ID FLAT
7	3	1031.00006.00	FITTING, COMP., 3/8 TUBE OD X 1/4 MPT
8	1	1025.00001.00	FITTING, COMPRESSION MALE CONNECTOR
9	1	1023.00003.00	LOCKNUT, MODIFIED THREAD, 1/4-18 NPT
10	1	1031.00054.00	FITTING, BARB, 1/4" HOSE ID X 1/4" MALE PIPE
11	4	1031.00007.00	LOCKNUT, 1/4 STRAIGHT PIPE THREAD
12	1	1032.00003.00	TUBE, 3/8"OD X 13" LG, COLD WATER INLET, HWB-2000
13	1	1024.00007.00	O-RING, DASH #344, TANK COVER
14	1	1102.00007.00	TANK COVER ASSEMBLY
15	1	1031.00015.00	FITTING, EXTENSION 1/2"FPT x 1/2" MPT x 2.00"L
16	1	1031.00014.00	FITTING, EXTENSION 1/2"FPT x 1/2" MPT x 0.45"LG
17	1	1034.00001.00	VALVE, BALL, 1/2" FPT X 1/2" FPT
18	1	1031.00013.00	FITTING, HOSE BARB 3/8" x 1/2" MPT
19	1	1102.00025.00	PROBE ASSEMBLY, DIGITAL TEMPERATURE, 12.0" LG
20	2	1021.00002.00	HOUSING, WATER LEVEL PROBE
21	1	1112.00029.00	PROBE WELDMENT, WATER LEVEL, 2.50" LONG
22	1	1112.00030.00	PROBE WELDMENT, WATER LEVEL, 11.25" LONG
23	1	1083.00014.00	WASHER, .812"OD X 0.412"ID FLAT
24	2	1031.00020.00	LOCKNUT 1/8" STRAIGHT PIPE THREAD
25	1	1031.00019.00	NIPPLE 1/8" PIPE, 4.5 LONG
26	1	1031.00018.00	COUPLING, FEMALE 1/8" PIPE
27	1	1058.00005.00	SWITCH, PRESSURE, 2PR
28	1	1044.00004.00	LABEL, DANGER, HIGH VOLTAGE

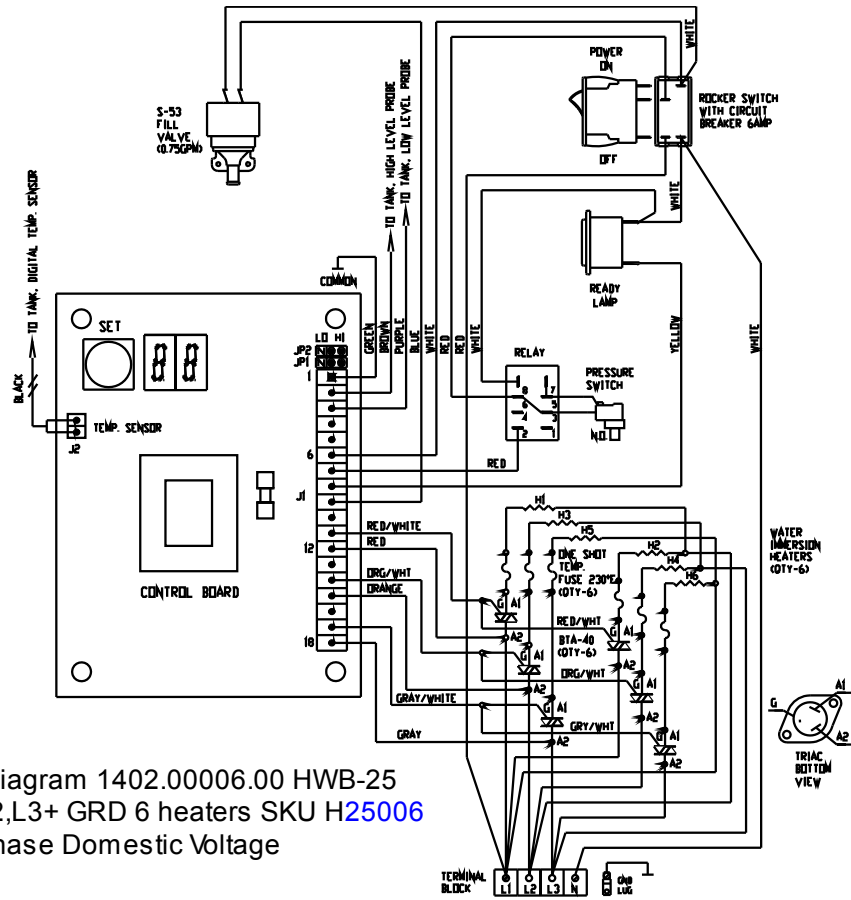
Wiring diagrams



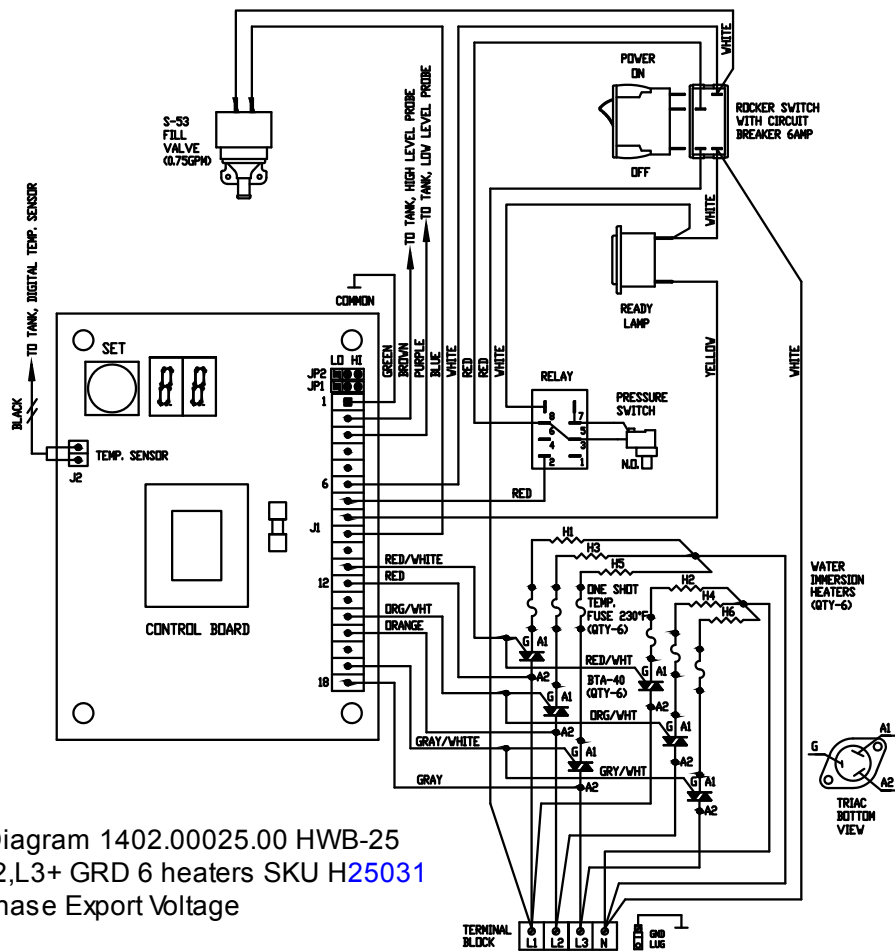








Wiring Diagram 1402.00006.00 HWB-25
 N, L1, L2, L3+ GRD 6 heaters SKU H25006
 Three Phase Domestic Voltage



Wiring Diagram 1402.00025.00 HWB-25
 N, L1, L2, L3+ GRD 6 heaters SKU H25031
 Three Phase Export Voltage

