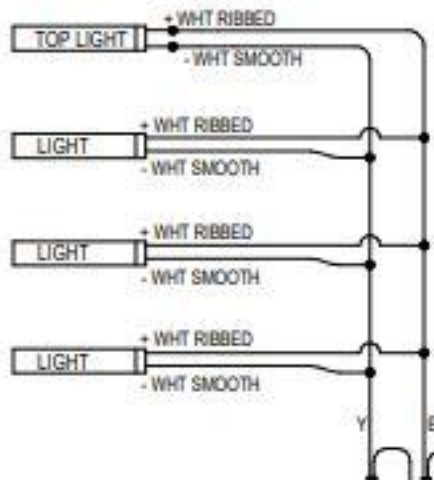
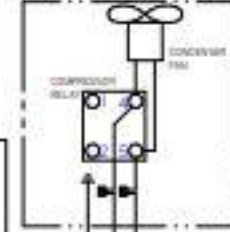
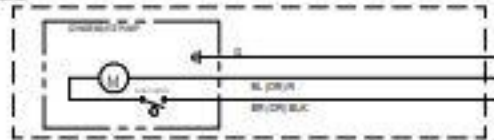
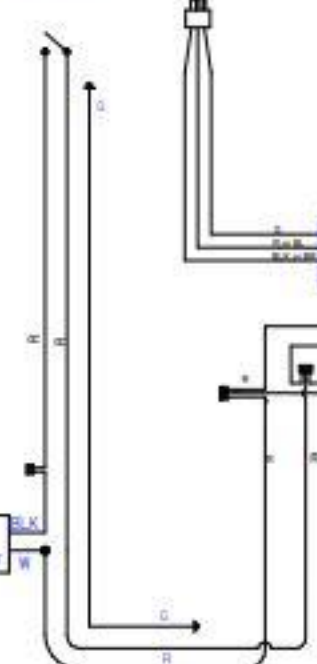


208/230V 60HZ
 OR
 220/240V 50HZ
 SEE CASE ELECTRICAL DATA
 PLATE FOR CURRENT ELECTRICAL



LIGHT SWITCH



COLOR CODE

- BLK = BLACK
- W = WHITE
- R = RED
- BL = BLUE
- Y = YELLOW
- G = GREEN
- BR = BROWN
- Y/G = YELLOW/GREEN STRIPE

