

Control de Documento**A. Revisiones y aprobaciones del documento.**

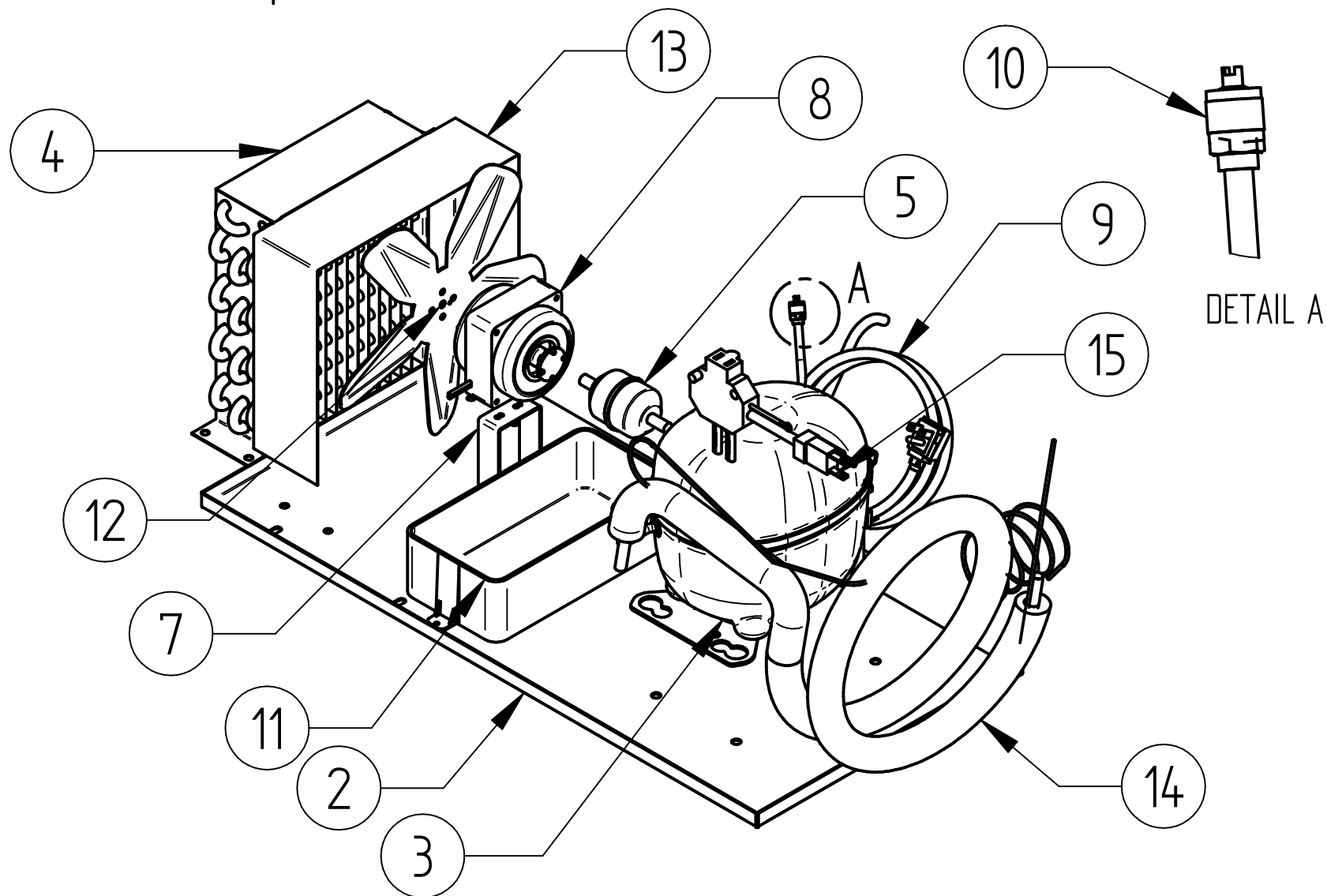
| Actividad | Puesto | Nombre | Fecha |
|-----------------|-------------------------|----------------------|----------|
| Elaboró: | Ing. de Producto | Raúl Santiago | 24/06/15 |
| Revisó: | Dir. Calidad y Producto | Alejandro Montelongo | 25/06/15 |
| Aprobó: | Dir. Calidad y Producto | Alejandro Montelongo | 25/06/15 |

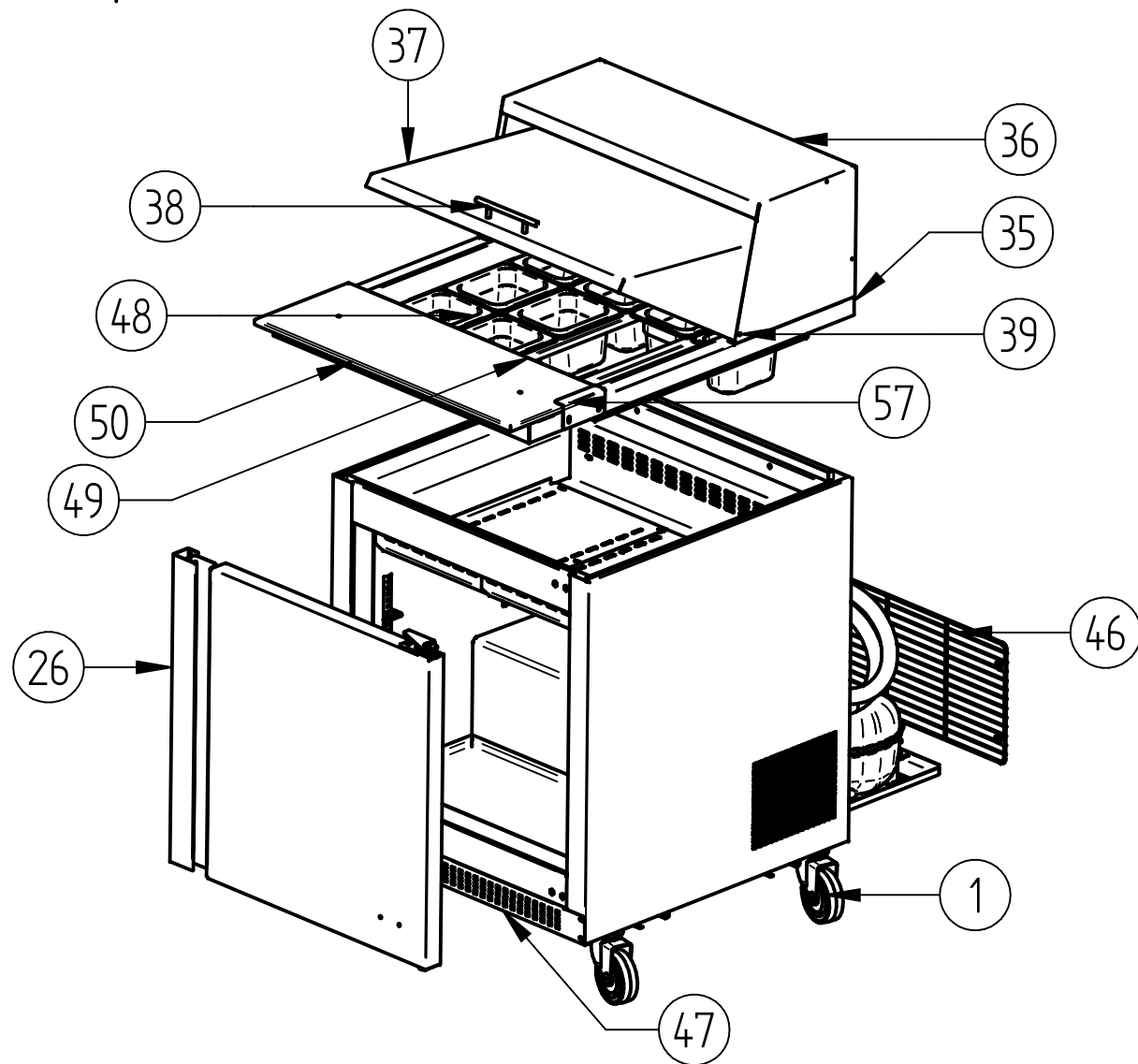
B. Descripción de cambios

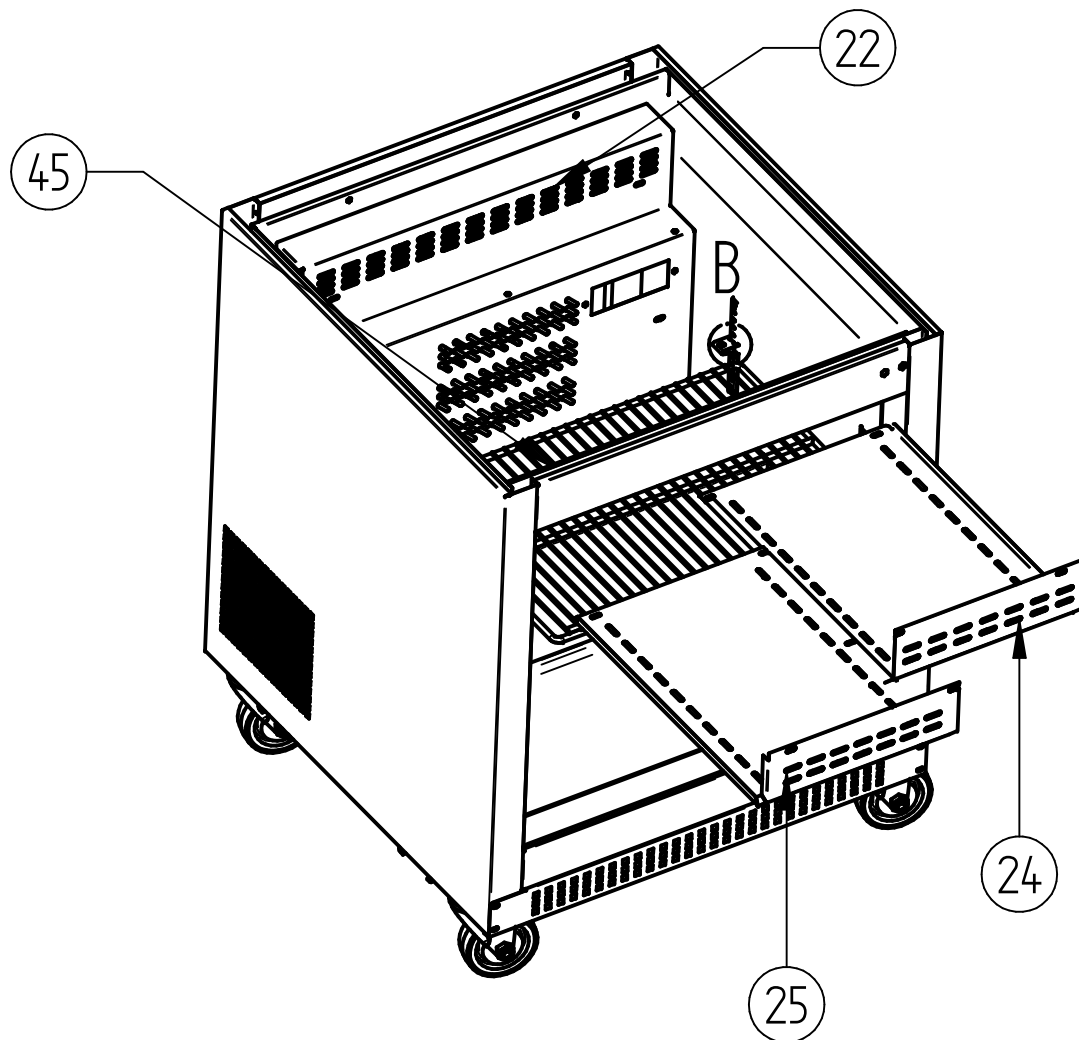
| Fecha | Rev. | Solicitante | Naturaleza del cambio |
|----------|------|--------------|--|
| 25/02/16 | A | Daniel Perez | Updated, Add start kit and cap tube./ Actualización, se añade kit arranque y tubo capilar. |
| | | | |
| | | | |
| | | | |
| | | | |
| | | | |

NO IMPRIMIR 1^{er} HOJA "CONTROL DOCUMENTAL"

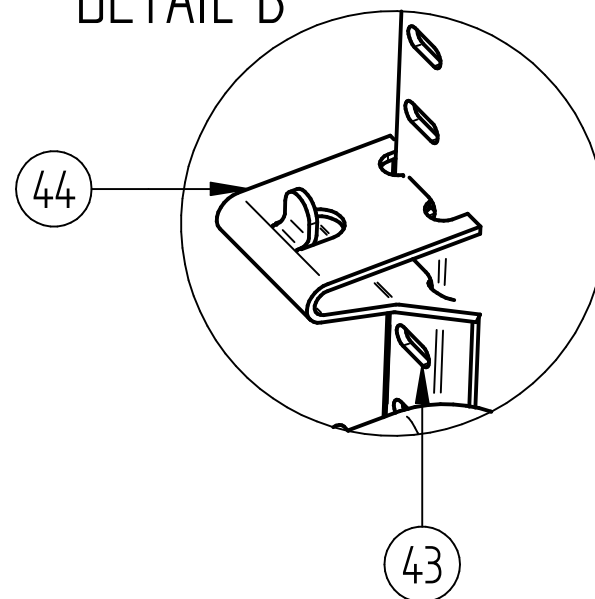
IMPRIMIR APARTIR DE LA 2^{DA} HOJA

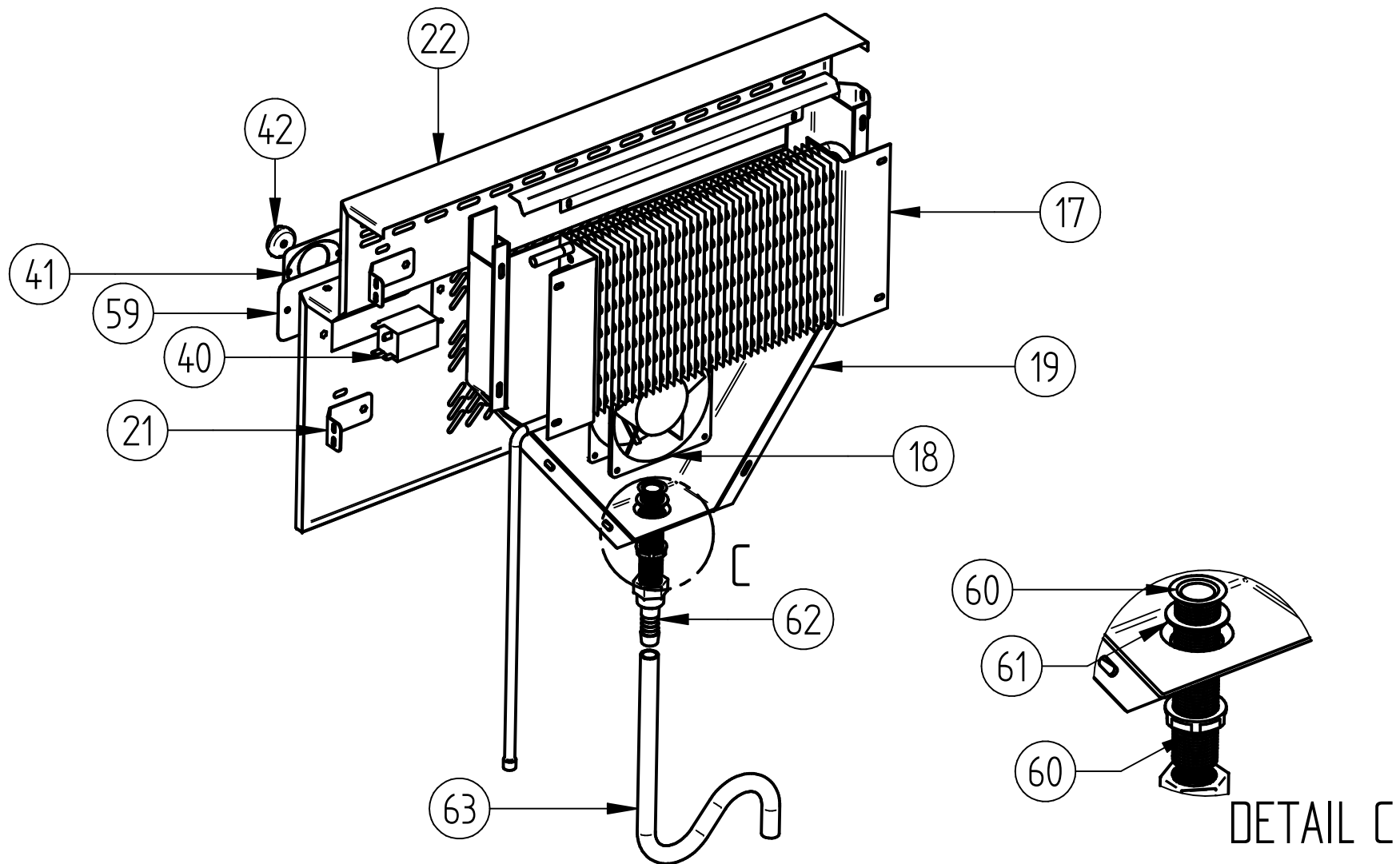


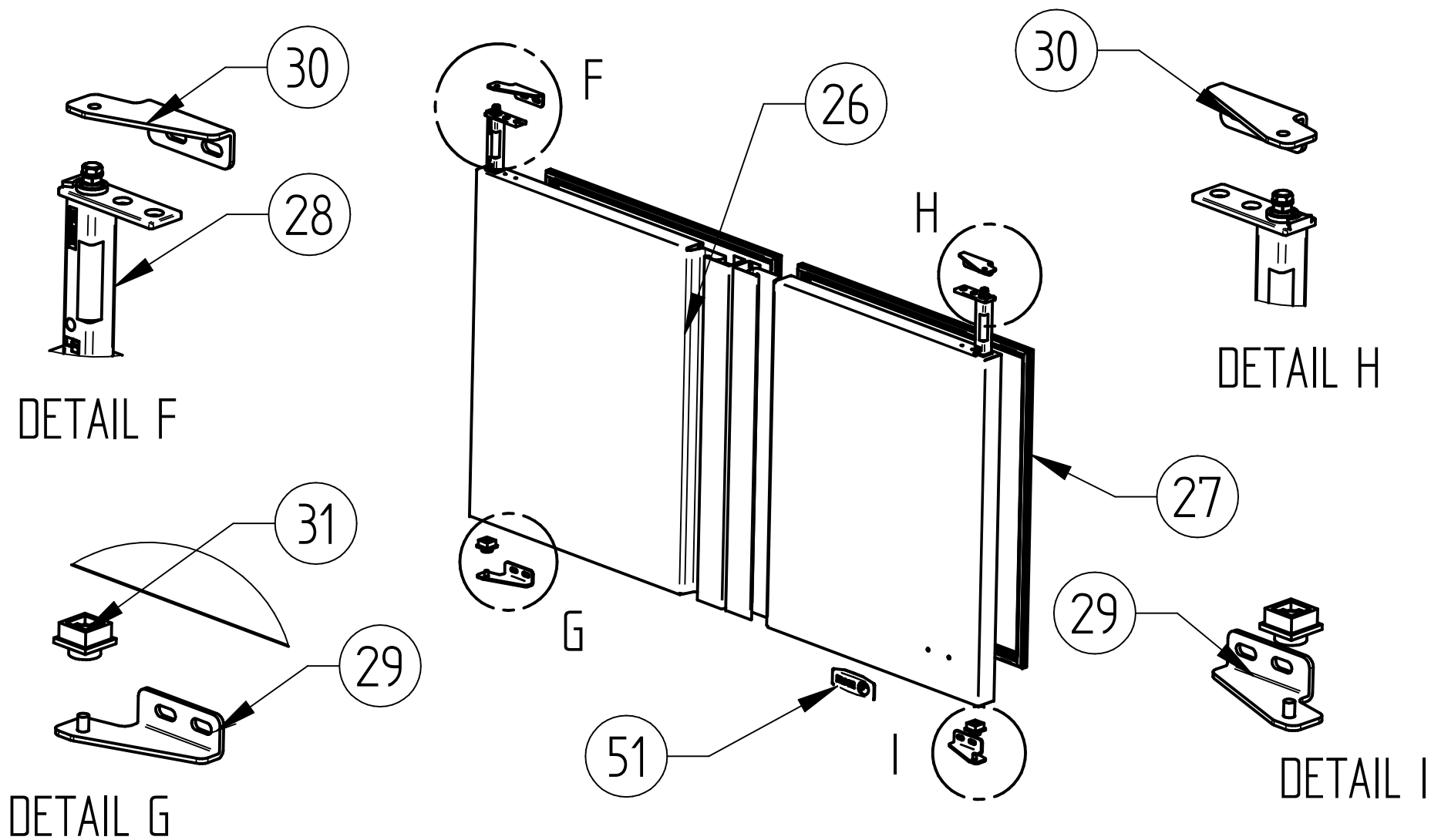




DETAIL B









| # ITEM | CODE CÓDIGO | DESCRIPTION | DESCRIPCIÓN | FMT-27 | FMT-27RH |
|--|--------------------|--------------------------|-------------------------------|----------|----------|
| Castors & Legs / Ruedas & Tacones | | | | | |
| | M10505M0001 | CASTER KIT | KIT RUEDAS | 1 | 1 |
| 1 | 603313M0001 | CASTER 4" W/BRAKE | RUEDA DELANTERA C/F Ø 4" | 2 | 2 |
| | 603313M0002 | CASTER 4" WO/ BRAKE | RUEDA DELANTERA S/F Ø 4" | 2 | 2 |
| | 603301M0130 | FLAT WASHER (LEVELER) | PLATINA NIVELADORA | 8 | 8 |
| | 603301M0140 | CASTER TOOL | LLAVE PARA RUEDAS | 1 | 1 |
| Condensing Units / Unidades de Condensación | | | | | |
| | M17301M0001 | CONDENSING UNIT | UNIDAD CONDENSACION | 1 | 1 |
| 2 | M10917M0029 | DECK | BANCADA | 1 | 1 |
| 3 | 602101M0073 | COMPRESSOR 115V | COMPRESOR 115V | 1 | 1 |
| | 602101M0082 | START KIT | KIT ARRANQUE | 1 | 1 |
| 4 | 602902M0003 | CONDENSER | CONDENSADOR | 1 | 1 |
| 5 | 604701M0005 | FILTER | FILTRO | 1 | 1 |
| 7 | A10917M0081 | FAN SUPPORT | SOPORTE VENTILADOR | 1 | 1 |
| 8 | 602105M0003 | FAN | VENTILADOR | 1 | 1 |
| 9 | 602139M0008 | POWER CORD | CORDON TOMA CORRIENTE | 1 | 1 |
| 10 | 6021310003 | SERVICE VALVE | VALVULA OBUS | 1 | 1 |
| 11 | 6003010023 | AUTOMATIC PAN TRY | BANDEJA EVAPORACION | 1 | 1 |
| 12 | 602105M0014 | FAN BLADE 9" | ASPA 9" | 1 | 1 |
| 13 | M10917M0476 | CONDENSER GUARD | GUARDA CONDENSADOR | 1 | 1 |
| 14 | 600701M0033 | HEAT EXCHANGER | INTECAMBIADOR MESA S | 1 | 1 |
| 15 | 602145M0008 | POWER CORD (SPIDER HUB) | ARAÑA CONEXIONES | 1 | 1 |
| - | M10702M0015 | CAP TUBE | TUBO CAPILAR | 1 | 1 |
| Evaporation Units / Unidades de Evaporación | | | | | |
| | M17101M0001 | EVAPORATION UNIT | UNIDAD EVAPORACION | 1 | 1 |
| 17 | 602901M0005 | EVAPORATOR COIL | EVAPORADOR | 1 | 1 |
| 18 | 6021050020 | FAN | VENTILADOR | 1 | 1 |
| 19 | 600305M0033 | EVAPORATION TRAY | BANDEJA ESCURRIMIENTO | 1 | 1 |
| 20 | N/A | EVAPORATOR COVER | CUBIERTA EVAPORADOR | - | - |
| 21 | M10913M0459 | EVAPORATOR COVER BRACKET | SOPORTE CUBIERTA EVAPORADOR | 4 | 4 |
| 22 | M10905M0308 | RIGHT EVAPORATOR COVER | CUBIERTA EVAPORADOR DERECHA | 1 | 1 |
| 23 | N/A | LEFT EVAPORATOR COVER | CUBIERTA EVAPORADOR IZQUIERDA | - | - |
| 24 | M10905M0284 | RIGHT BOTTOM COVER TRAY | CUBIERTA BANDEJAS DERECHA | 1 | 1 |
| 25 | M10905M0285 | LEFT BOTTOM COVER TRAY | CUBIERTA BANDEJAS IZQUIERDA | 1 | 1 |



| # ITEM | CODE CÓDIGO | DESCRIPTION | DESCRIPCIÓN | FMT-27 | FMT-27RH |
|--|--------------------|--------------------------|----------------------------------|----------|----------|
| Doors & Others / Puertas & Otros | | | | | |
| | M16901M0195 | DOOR KIT | ENSAMBLE DE PUERTAS | 1 | |
| 26 | M16901M0170 | RIGHT DOOR | PUERTA | 1 | |
| 27 | 604501M0003 | GASKET | BURLETE | 1 | |
| 28 | 6033010100 | CARTRIDGE | CARTUCHO | 1 | |
| | M16909M0025 | RIGHT HINGE KIT | CONJUNTO BISAGRAS DERECHO | 1 | |
| 29 | 603301M0182 | BOTTOM HINGE | BISAGRA INFERIOR | 1 | |
| 30 | 603301M0180 | TOP HINGE | BISAGRA SUPERIOR | 1 | |
| 31 | 600305M0038 | SQUARE NYLON SPACER | SEPARADOR PLASTICO NEGRO | 1 | |
| | M16901M0298 | LEFT DOOR KIT | ENSAMBLE DE PUERTAS IZQ. | | 1 |
| 26 | M16901M0299 | RIGHT DOOR | PUERTA | | 1 |
| 27 | 604501M0003 | GASKET | BURLETE | | 1 |
| 28 | 6033010100 | CARTRIDGE | CARTUCHO | | 1 |
| | M16909M0024 | LEFT HINGE KIT | CONJUNTO BISAGRAS IZQ. | | 1 |
| 29 | 603301M0181 | BOTTOM HINGE | BISAGRA INFERIOR | | 1 |
| 30 | 603301M0183 | TOP HINGE | BISAGRA SUPERIOR | | 1 |
| 31 | 600305M0038 | SQUARE NYLON SPACER | SEPARADOR PLASTICO NEGRO | | 1 |
| Top Panel / Encimera | | | | | |
| 35 | M18101M0097 | TOP ASSEMBLY 27" | ENSAMBLE ENCIMERA 27" | 1 | 1 |
| 36 | M18109M0001 | HOOD ASSEMBLY 27" | ENSAMBLE CAPERUZA 27" | 1 | 1 |
| 37 | M16921M0001 | LID 27" | PUERTA CAPERUZA 27" | 1 | 1 |
| 38 | 603301M0011 | LID HANDLE | JALADERA PUERTA CAPERUZA | 1 | 1 |
| 39 | 602505M0015 | LID PIN | PERNO PUERTA CAPERUZA | 2 | 2 |
| Controllers & Other / Controles & Otros | | | | | |
| | M10505M0007 | CONTROL RANCO KIT | CONTROL RANCO KIT | 1 | 1 |
| 40 | 602109M0006 | RANCO CONTROLLER | CONTROL RANCO | 1 | 1 |
| 41 | 602135M0013 | RANCO ACCESORIES | ACCESORIOS RANCO | 1 | 1 |
| 42 | 600301M0074 | RANCO KNOB | PERILLA C. RANCO | 1 | 1 |
| - | 602509M0052 | SCREW | TORNILLO | 2 | 2 |
| Shelves / Parrilas | | | | | |
| 43 | 603305M0029 | PILLASTER 6.2' | PILASTER 6.2" | 4 | 4 |
| 44 | 603301M0005 | STAINLESS STEEL CLIP | CLIP SS ACERO INOXIDABLE | 4 | 4 |
| 45 | 602701M0003 | FLAT RACK | PARRILLA | 1 | 1 |



| # ITEM | CODE CÓDIGO | DESCRIPTION | DESCRIPCIÓN | FMT-27 | FMT-27RH |
|-------------------------|----------------|-----------------------------|----------------------------------|--------|----------|
| Panels /Rejillas | | | | | |
| 46 | 602701M0028 | BACK PANEL | REJILLA POSTERIOR | 1 | 1 |
| 47 | M10913M0364 | BOTTOM PANEL 27" | REJILLA INFERIOR 27" | 1 | 1 |
| Others /Others | | | | | |
| 48 | 600305M0020 | 1/6X4" PAN | BANDEJA 1/6X4" | 9 | 9 |
| | 600305M0030 | 1/9X4" PAN | BANDEJA 1/9X4" | 3 | 3 |
| 49 | 603305M0035 | DIVIDER PANS | TRABE DIVISORAS BANDEJAS | 3 | 3 |
| 50 | 600305M0127 | NYLAMID TABLE | TABLA NYLAMID | 1 | 1 |
| 51 | 603317M0003 | FAGOR PLATE | PLACA FAGOR | 1 | 1 |
| 52 | N/A | VERTICAL SUPPORT | SOPORTE VERTICAL | - | - |
| 53 | N/A | HORIZONTAL SUPPORT | SOPORTE HORIZONTAL | - | - |
| 54 | N/A | SMALL NYLAMID BRACKET | SOPORTE NYLAMID CHICO | - | - |
| 55 | N/A | BIG NYLAMID BRACKET | SOPORTE NYLAMID GRANDE | - | - |
| 56 | 6003010053 | PLASTIC CAP | TAPÓN PLÁSTICO | 2 | 2 |
| 57 | M10901M0055 | RIGHT CUTTING BOARD BRACKET | FIJACION TABLA NYLAMID DERECHO | 1 | 1 |
| | M10901M0162 | LEFT CUTTING BOARD BRACKET | FIJACION TABLA NYLAMID IZQUIERDO | 1 | 1 |
| 58 | 600301M0012 | PLASTIC SCREW | TORNILLO PLASTICO | 25 | 25 |
| 59 | M10905M0034 | RANCO FIXING PLATE | PLACA SUJECION RANCO | 1 | 1 |
| Drain/Desague | | | | | |
| 60 | 6003010062 | DRAIN | DESAGUE | 1 | 1 |
| 61 | 6003010051 | PLASTIC SEAL | JUNTA GOMA DESAGUE | 1 | 1 |
| 62 | 600717M0011 | DRAIN FITTING | COPEL DESAGUE | 1 | 1 |
| 63 | 600717M0070 | DRAIN HOSE | MAGUERA DESAGUE | 1 | 1 |



| # ITEM | CODE CÓDIGO | DESCRIPTION | DESCRIPCIÓN | FMT-27 |
|--|--------------------|--------------------------|-------------------------------|----------|
| Castors & Legs / Ruedas & Tacones | | | | |
| | M10505M0001 | CASTER KIT | KIT RUEDAS | 1 |
| 1 | 603313M0001 | CASTER 4" W/BRAKE | RUEDA DELANTERA C/F Ø 4" | 2 |
| | 603313M0002 | CASTER 4" WO/ BRAKE | RUEDA DELANTERA S/F Ø 4" | 2 |
| | 603301M0130 | FLAT WASHER (LEVELER) | PLATINA NIVELADORA | 8 |
| | 603301M0140 | CASTER TOOL | LLAVE PARA RUEDAS | 1 |
| Condensing Units / Unidades de Condensación | | | | |
| | M17301M0012 | CONDENSING UNIT | UNIDAD CONDENSACION | 1 |
| 2 | M10917M0029 | DECK | BANCADA | 1 |
| 3 | 602101M0098 | COMPRESSOR 220V | COMPRESOR 220 | 1 |
| | 602101M0105 | START KIT 220V | KIT ARRANQUE 220V | 1 |
| 4 | 602902M0003 | CONDENSER | CONDENSADOR | 1 |
| 5 | 604701M0005 | FILTER | FILTRO | 1 |
| 7 | A10917M0081 | FAN SUPPORT | SOPORTE VENTILADOR | 1 |
| 8 | 602105M0007 | FAN 220V | VENTILADOR 220V | 1 |
| 9 | 602139M0008 | POWER CORD | CORDON TOMA CORRIENTE | 1 |
| 10 | 6021310003 | SERVICE VALVE | VALVULA OBUS | 1 |
| 11 | 6003010023 | AUTOMATIC PAN TRY | BANDEJA EVAPORACION | 1 |
| 12 | 602105M0014 | FAN BLADE 9" | ASPA 9" | 1 |
| 13 | M10917M0476 | CONDENSER GUARD | GUARDA CONDENSADOR | 1 |
| 14 | 600701M0033 | HEAT EXCHANGER | INTECAMBIADOR MESA S | 1 |
| 15 | 602145M0008 | POWER CORD (SPIDER HUB) | ARAÑA CONEXIONES | 1 |
| - | M10702M0015 | CAP TUBE | TUBO CAPILAR | 1 |
| Evaporation Units / Unidades de Evaporación | | | | |
| | M17101M0018 | EVAPORATION UNIT | UNIDAD EVAPORACION | 1 |
| 17 | 602901M0005 | EVAPORATOR COIL | EVAPORADOR | 1 |
| 18 | 6021050008 | FAN 220V | VENTILADOR 220V | 1 |
| 19 | 600305M0033 | EVAPORATION TRAY | BANDEJA ESCURRIMIENTO | 1 |
| 20 | N/A | EVAPORATOR COVER | CUBIERTA EVAPORADOR | - |
| 21 | M10913M0459 | EVAPORATOR COVER BRACKET | SOPORTE CUBIERTA EVAPORADOR | 4 |
| 22 | M10905M0308 | RIGHT EVAPORATOR COVER | CUBIERTA EVAPORADOR DERECHA | 1 |
| 23 | N/A | LEFT EVAPORATOR COVER | CUBIERTA EVAPORADOR IZQUIERDA | - |
| 24 | M10905M0284 | RIGHT BOTTOM COVER TRAY | CUBIERTA BANDEJAS DERECHA | 1 |
| 25 | M10905M0285 | LEFT BOTTOM COVER TRAY | CUBIERTA BANDEJAS IZQUIERDA | 1 |



| # ITEM | CODE CÓDIGO | DESCRIPTION | DESCRIPCIÓN | FMT-27 |
|--|--------------------|--------------------------|----------------------------------|----------|
| Doors & Others / Puertas & Otros | | | | |
| | M16901M0195 | DOOR KIT | ENSAMBLE DE PUERTAS | 1 |
| 26 | M16901M0170 | RIGHT DOOR | PUERTA | 1 |
| 27 | 604501M0003 | GASKET | BURLETE | 1 |
| 28 | 6033010100 | CARTRIDGE | CARTUCHO | 1 |
| | M16909M0025 | RIGHT HINGE KIT | CONJUNTO BISAGRAS DERECHO | 1 |
| 29 | 603301M0182 | BOTTOM HINGE | BISAGRA INFERIOR | 1 |
| 30 | 603301M0180 | TOP HINGE | BISAGRA SUPERIOR | 1 |
| 31 | 600305M0038 | SQUARE NYLON SPACER | SEPARADOR PLASTICO NEGRO | 1 |
| Top Panel / Encimera | | | | |
| 35 | M18101M0097 | TOP ASSEMBLY 27" | ENSAMBLE ENCIMERA 27" | 1 |
| 36 | M18109M0001 | HOOD ASSEMBLY 27" | ENSAMBLE CAPERUZA 27" | 1 |
| 37 | M16921M0001 | LID 27" | PUERTA CAPERUZA 27" | 1 |
| 38 | 603301M0011 | LID HANDLE | JALADERA PUERTA CAPERUZA | 1 |
| 39 | 602505M0015 | LID PIN | PERNO PUERTA CAPERUZA | 2 |
| Controllers & Other / Controles & Otros | | | | |
| | M10505M0007 | CONTROL RANCO KIT | CONTROL RANCO KIT | 1 |
| 40 | 602109M0006 | RANCO CONTROLLER | CONTROL RANCO | 1 |
| 41 | 602135M0013 | RANCO ACCESORIES | ACCESORIOS RANCO | 1 |
| 42 | 600301M0074 | RANCO KNOB | PERILLA C. RANCO | 1 |
| - | 602509M0052 | SCREW | TORNILLO | 2 |
| Shelves / Parrilas | | | | |
| 43 | 603305M0029 | PILLASTER 6.2' | PILASTER 6.2" | 4 |
| 44 | 603301M0005 | STAINLESS STEEL CLIP | CLIP SS ACERO INOXIDABLE | 4 |
| 45 | 602701M0003 | FLAT RACK | PARRILLA | 1 |
| Panels / Rejillas | | | | |
| 46 | 602701M0028 | BACK PANEL | REJILLA POSTERIOR | 1 |
| 47 | M10913M0364 | BOTTOM PANEL 27" | REJILLA INFERIOR 27" | 1 |



| # ITEM | CODE CÓDIGO | DESCRIPTION | DESCRIPCIÓN | FMT-27 |
|-----------------------|----------------|-----------------------------|----------------------------------|--------|
| Others /Others | | | | |
| 48 | 600305M0020 | 1/6X4" PAN | BANDEJA 1/6X4" | 9 |
| | 600305M0030 | 1/9X4" PAN | BANDEJA 1/9X4" | 3 |
| 49 | 603305M0035 | DIVIDER PANS | TRABE DIVISORAS BANDEJAS | 3 |
| 50 | 600305M0127 | NYLAMID TABLE | TABLA NYLAMID | 1 |
| 51 | 603317M0003 | FAGOR PLATE | PLACA FAGOR | 1 |
| 52 | N/A | VERTICAL SUPPORT | SOPORTE VERTICAL | - |
| 53 | N/A | HORIZONTAL SUPPORT | SOPORTE HORIZONTAL | - |
| 54 | N/A | SMALL NYLAMID BRACKET | SOPORTE NYLAMID CHICO | - |
| 55 | N/A | BIG NYLAMID BRACKET | SOPORTE NYLAMID GRANDE | - |
| 56 | 6003010053 | PLASTIC CAP | TAPÓN PLÁSTICO | 2 |
| 57 | M10901M0055 | RIGHT CUTTING BOARD BRACKET | FIJACION TABLA NYLAMID DERECHO | 1 |
| | M10901M0162 | LEFT CUTTING BOARD BRACKET | FIJACION TABLA NYLAMID IZQUIERDO | 1 |
| 58 | 600301M0012 | PLASTIC SCREW | TORNILLO PLASTICO | 25 |
| 59 | M10905M0034 | RANCO FIXING PLATE | PLACA SUJECION RANCO | 1 |
| Drain/Desague | | | | |
| 60 | 6003010062 | DRAIN | DESAGUE | 1 |
| 61 | 6003010051 | PLASTIC SEAL | JUNTA GOMA DESAGUE | 1 |
| 62 | 600717M0011 | DRAIN FITTING | COPEL DESAGUE | 1 |
| 63 | 600717M0070 | DRAIN HOSE | MAGUERA DESAGUE | 1 |

FAGOR



CUSTOMER SERVICE

Fagor Commercial, Inc.
13105NW 47thAve
Miami, FL. 33054
Tel:(305) 7790170
Fax:(305)7790173
1-866-463-2467
www.Fagorcommercial.com

Circuito Exportación N° 201
Parque Industrial Tres Naciones
San Luis Potosí, S.L.P. México
C.P. 78395
Planta S.L.P.: + 52 (444) 137 0500
México D.F.: + 52 (55) 5082 5825

SERVICIO TECNICO