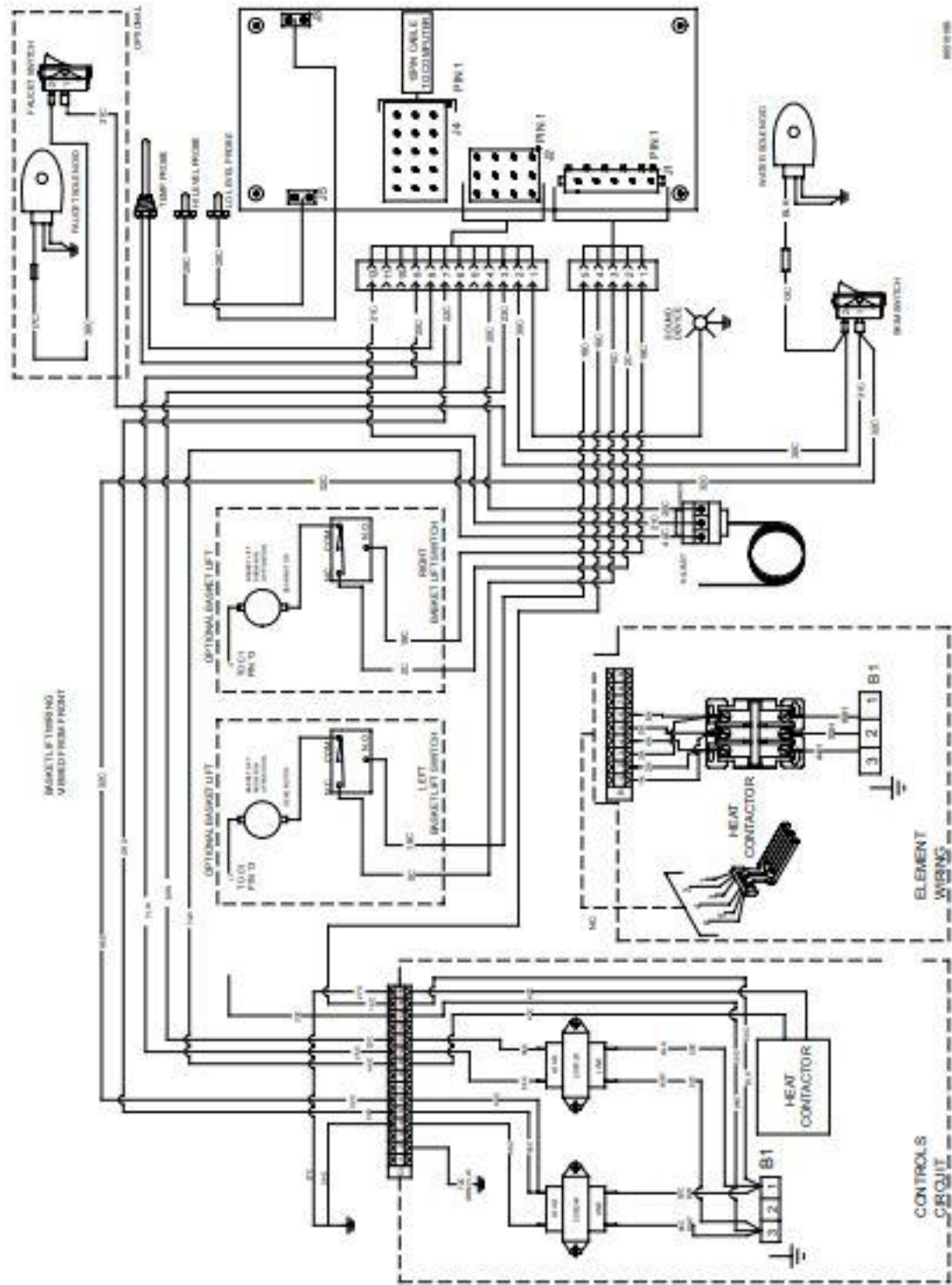


BASKET LIFTING AND
VIEWED FROM FRONT

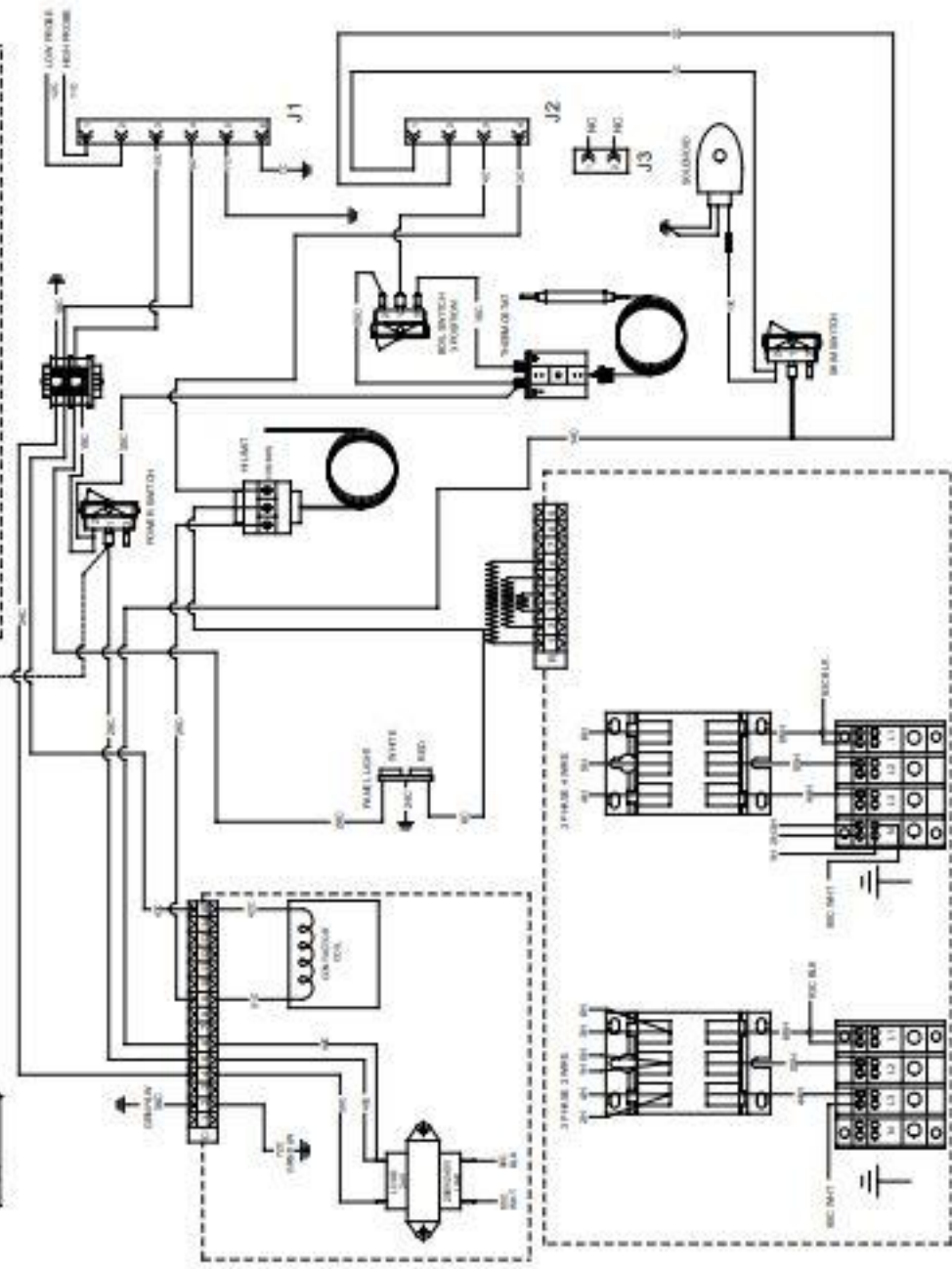
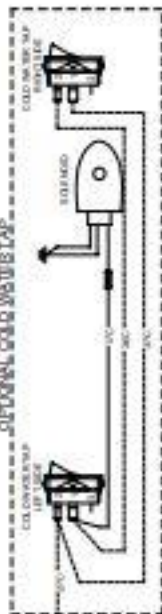


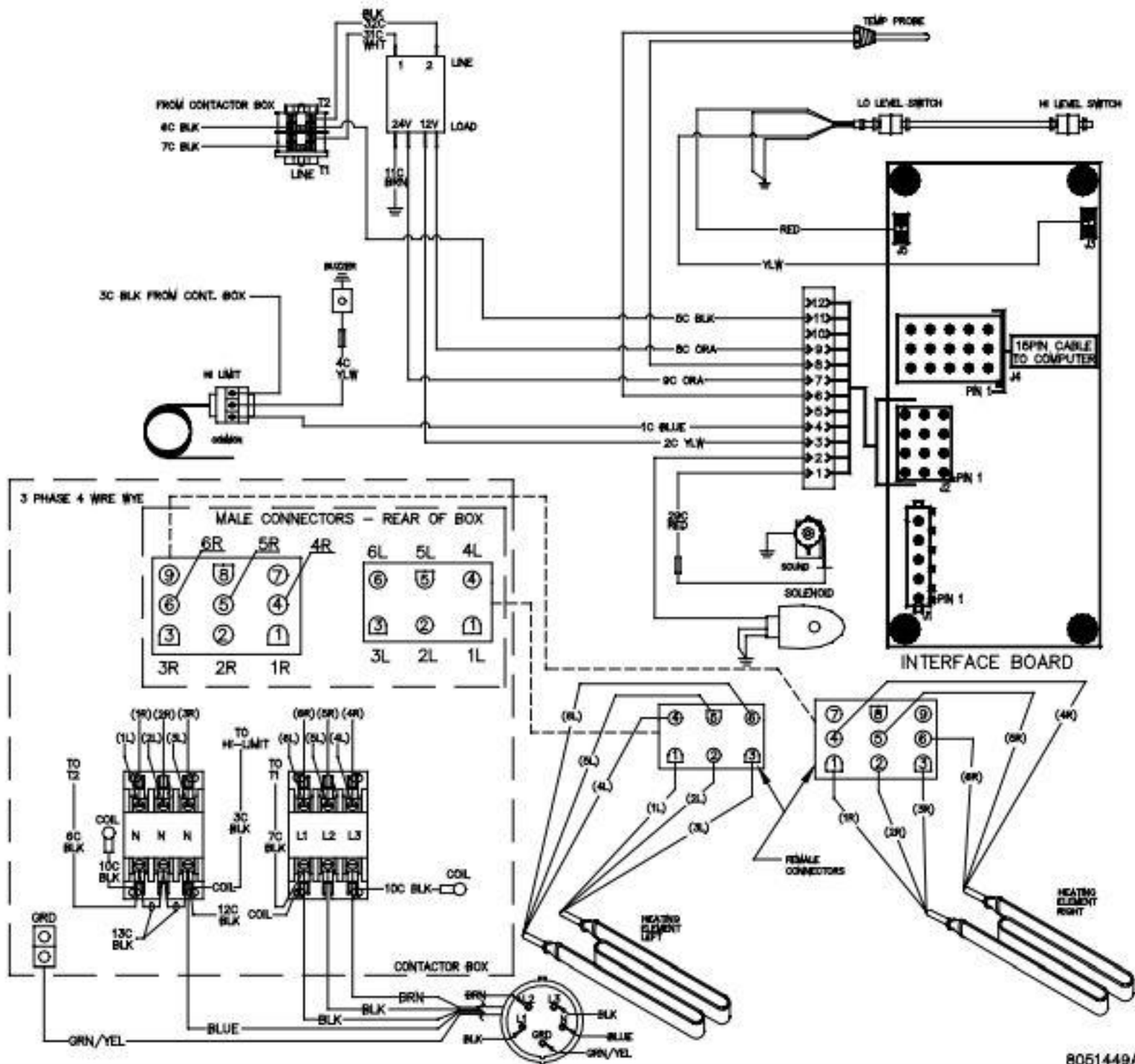
USE AWG #0 WIRE WITH
MINIMUM 70°C TEMPERATURE RATING

REMOVE THIS COVER TO
INSPECT REED WIRING

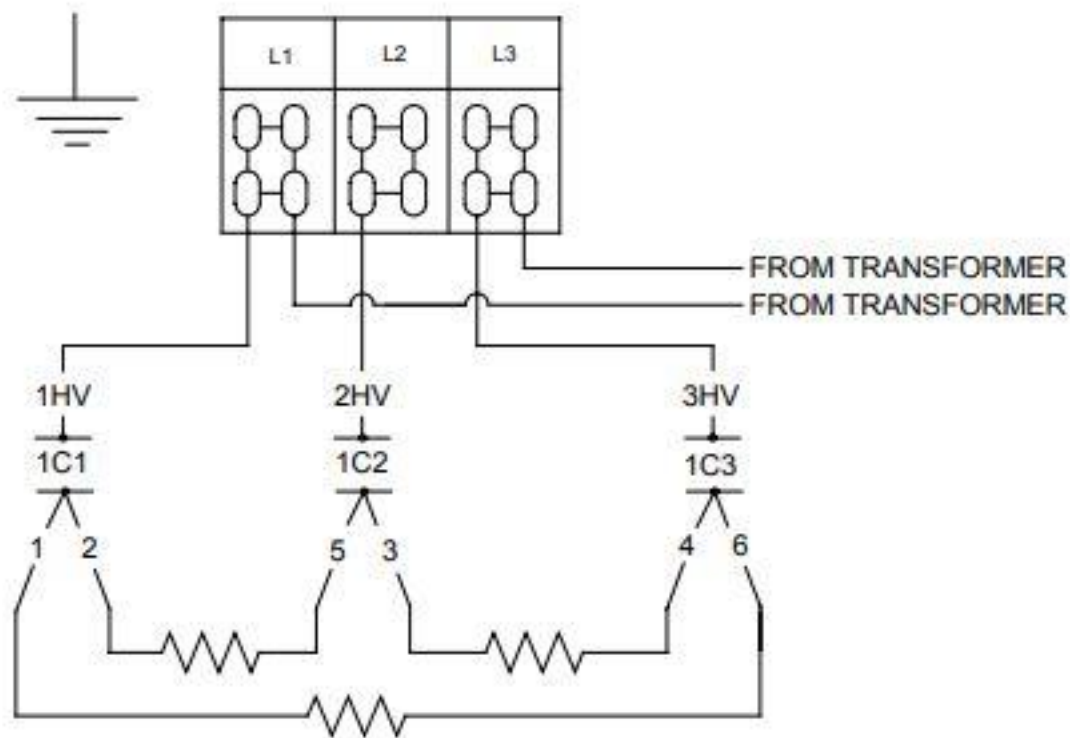


OPTIONAL COLD WATER LAP

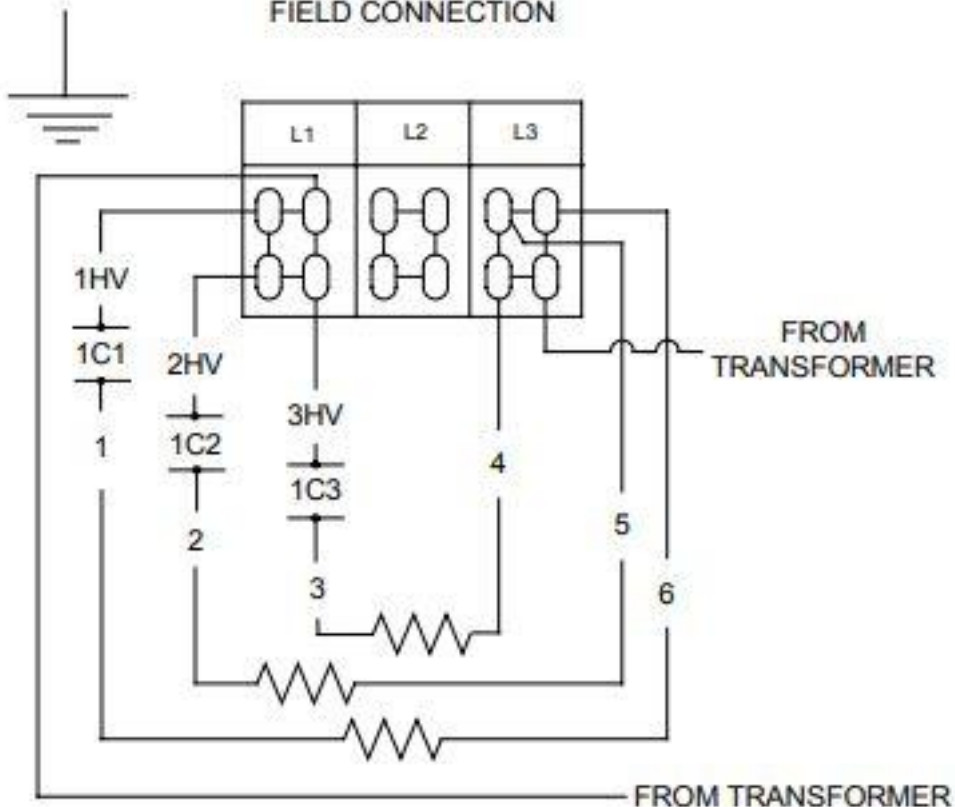




3 PHASE 3 WIRE (DELTA)
FIELD CONNECTION



SINGLE PHASE (NO NEUTRAL)
FIELD CONNECTION



SINGLE PHASE
FIELD CONNECTION

