



January 2008 and Later Models
Use 819-5888 for earlier units

GF14 and GF40 Series Gas Fryers Service & Parts Manual

Frymaster[®]



Frymaster, a member of the Commercial Food Equipment Service Association, recommends using CFESA Certified Technicians.

24-Hour Service Hotline 1-800-551-8633

09/2023



8 1 9 6 4 3 8

NOTICE

This appliance is intended for professional use only and is to be operated by qualified personnel only. A FRYMASTER DEAN Factory Authorized Servicer (FAS) or other qualified professional should perform installation, maintenance, and repairs. Installation, maintenance, or repairs by unqualified personnel may void the manufacturer's warranty. See Chapter 1 of this manual for definitions of qualified personnel.

NOTICE

This equipment must be installed in accordance with the appropriate national and local codes of the country and/or region in which the appliance is installed. See NATIONAL CODE REQUIREMENTS in Chapter 2 of this manual for specifics.

NOTICE TO U.S. CUSTOMERS

This equipment is to be installed in compliance with the basic plumbing code of the Building Officials and Code Administrators International, Inc. (BOCA) and the Food Service Sanitation Manual of the U.S. Food and Drug Administration.

NOTICE

Drawings and photos used in this manual are intended to illustrate operational, cleaning and technical procedures and may not conform to onsite management operational procedures.

NOTICE TO OWNERS OF UNITS EQUIPPED WITH COMPUTERS

U.S.

This device complies with Part 15 of the FCC rules. Operation is subject to the following two conditions: 1) This device may not cause harmful interference, and 2) This device must accept any interference received, including interference that may cause undesired operation. While this device is a verified Class A device, it has been shown to meet the Class B limits.

CANADA

This digital apparatus does not exceed the Class A or B limits for radio noise emissions as set out by the ICES-003 standard of the Canadian Department of Communications.

Cet appareil numérique n'émet pas de bruits radioélectriques dépassant les limites de classe A et B prescrites dans la norme NMB-003 édictée par le Ministre des Communications du Canada.

DANGER

Improper installation, adjustment, maintenance or service, and unauthorized alterations or modifications can cause property damage, injury, or death. Read the installation, operating, and service instructions thoroughly before installing or servicing this equipment. Only qualified service personnel may convert this appliance to use a gas other than that for which it was originally configured.

DANGER

No structural material on the fryer should be altered or removed to accommodate placement of the fryer under a hood. Questions? Call the Frymaster/Dean Service Hotline at 1-800-551-8633.

 DANGER

Adequate means must be provided to limit the movement of this appliance without depending upon the gas line connection. Single fryers equipped with legs must be stabilized by installing anchor straps. All fryers equipped with casters must be stabilized by installing restraining chains. If a flexible gas line is used, an additional restraining cable must be connected at all times when the fryer is in use.

 DANGER

The front ledge of the fryer is not a step! Do not stand on the fryer. Serious injury can result from slips or contact with the hot oil.

 DANGER

Do not store or use gasoline or other flammable liquids or vapors in the vicinity of this or any other appliance.

 DANGER

Instructions to be followed in the event the operator smells gas or otherwise detects a gas leak must be posted in a prominent location. This information can be obtained from the local gas company or gas supplier.

 DANGER

This product contains chemicals known to the state of California to cause cancer and/or birth defects or other reproductive harm.

Operation, installation, and servicing of this product could expose you to airborne particles of glasswool or ceramic fibers, crystalline silica, and/or carbon monoxide. Inhalation of airborne particles of glasswool or ceramic fibers is known to the State of California to cause cancer. Inhalation of carbon monoxide is known to the State of California to cause birth defects or other reproductive harm.

GF14 and GF40 SERIES GAS FRYERS

TABLE OF CONTENTS

CHAPTER 1: Service Procedures

1.1	Functional Description.....	1-1
1.2	Accessing Fryers for Servicing.....	1-2
1.3	Cleaning the Gas Valve Vent Tube	1-2
1.4	Checking the Burner Manifold Pressure.....	1-2
1.5	Adjusting Deflector Spacing and Alignment.....	1-2
1.6	Adjusting the Pilot Flame	1-3
1.7	Replacing Fryer Components	1-3
1.7.1	Replacing the Operating Thermostat	1-3
1.7.2	Replacing the High-Limit Thermostat	1-4
1.7.3	Replacing Deflectors.....	1-5
1.7.4	Replacing the Gas Valve.....	1-6
1.7.5	Replacing the Thermopile or Pilot Assembly	1-7
1.7.6	Replacing the Frypot.....	1-8
1.8	Troubleshooting and Problem Isolation.....	1-9
1.8.1	Pilot Failure.....	1-9
1.8.2	Improper Burner Functioning	1-11
1.8.3	Improper Temperature Control.....	1-11
1.8.4	Leaking	1-12
1.9	Wiring Diagrams.....	1-12
1.9.1	Current Production Units with Honeywell Gas Valve.....	1-12

CHAPTER 2: Parts Lists

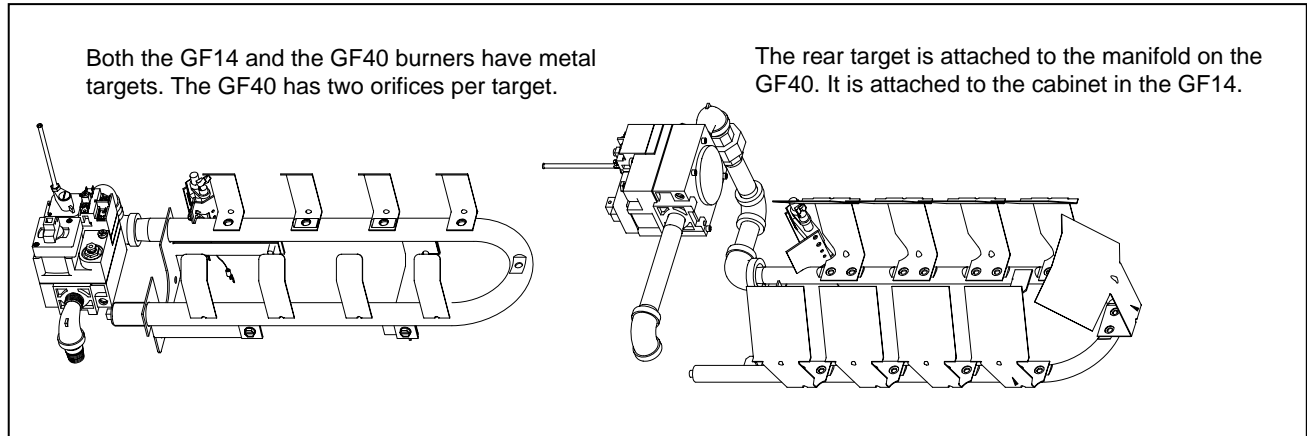
	Accessories	2-1
	Burner and Gas Supply Components	2-2
	Cabinetry Components.....	2-4
	Frypot and Related Components.....	2-5

GF14/GF40 SERIES GAS FRYERS

CHAPTER 1: SERVICE PROCEDURES

1.1 Functional Description

The GF14 and GF40 Series fryers contain a welded steel (stainless or cold-rolled) frypot that is heated by gas flames diffused over its lower surface by deflectors. In both units, the deflectors are made of stainless. The rear deflector on the GF14 is attached to the flue. The GF40's rear deflector is attached to the burner manifold.



The flames originate from orifices in a U-shaped burner manifold positioned beneath the frypot. The orifice diameters differ for natural and Propane (LP) gas and for fryers as indicated in the accompanying table (NOTE: This table shows only the orifices used in elevations up to 1999 feet/609 meters. GF14 fryers have one orifice per deflector; GF40 fryers have two orifices per deflector assembly).

GF14/GF40 Series Orifice Sizes (0-1999 ft/609 m)		
Fryer & Gas Type	Inches	Millimeters
GF14 Natural	0.065	1.65mm
GF14 Propane (LP)	0.041	1.05mm
GF40 Natural	0.057	1.45mm
GF40 Propane (LP)	0.034	0.86mm

An electromechanical millivolt gas valve regulates gas flow to the burner manifold. GF14/GF40 fryers use a pilot ignition system to control burner firing.

Pilot Ignition System

The pilot ignition system is made up of the pilot orifice, pilot hood, and a thermopile. The pilot serves two purposes: lighting the burner and heating the thermopile. In operation, the thermopile is in contact with the pilot flame and generates millivolts. The millivolt output passes through a normally closed high-limit switch and energizes the gas valve pilot coil, which in turn opens the pilot valve. If the pilot flame is extinguished, voltage is lost to the gas valve pilot coil and the pilot valve closes.

Thermostats

1. These fryers are equipped with adjustable operating thermostats. The temperature at which the thermostat opens and closes is adjusted by rotating a knob. **The tolerance band of the Sunne thermostat is +10°F (+6°C) and -20°F (-11°C).**

Fryers in the GF14/GF40 series are also equipped with a high-limit thermostat. In the event that the fryer fails to properly control the oil temperature, the high-limit thermostat prevents the fryer from overheating to the flash point. The high-limit thermostat acts as a normally closed power switch that opens when exposed to temperatures above 425°F to 450°F (218°C to 232°C).

1.2 Accessing Fryers for Servicing

 **DANGER**

Moving a fryer filled with cooking oil/shortening may cause spilling or splattering of the hot liquid. Follow the draining instructions in Chapter 3 of the Installation and Operation manual before attempting to relocate a fryer for servicing.

1. Drain all cooking oil/shortening from the fryer.
2. Shut off the gas supply to the unit and disconnect the unit from the gas supply.
3. Remove any attached restraining devices.
4. Relocate the fryer for service accessibility.
5. After servicing is complete, reconnect the unit to the gas supply and reattach the restraining devices.
6. Refill the frypot with cooking oil/shortening.

1.3 Cleaning the Gas Valve Vent Tube

Refer to Quarterly Checks and Services in Chapter 4 of the Installation and Operation manual.

1.4 Checking the Burner Manifold Pressure

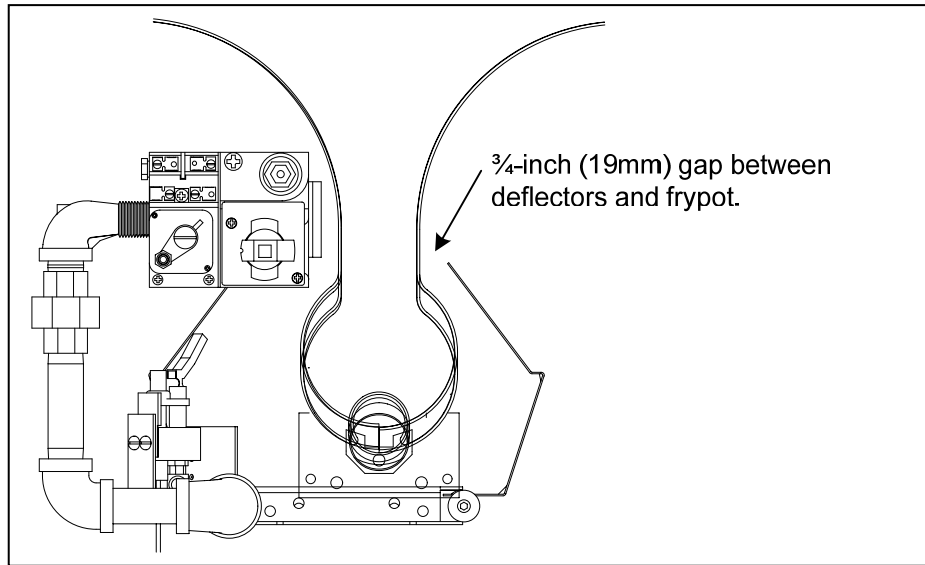
See step 7-15 in section 1.7.4, Replacing the Gas Valve.

1.5 Adjusting Deflector Spacing and Alignment

 **DANGER**

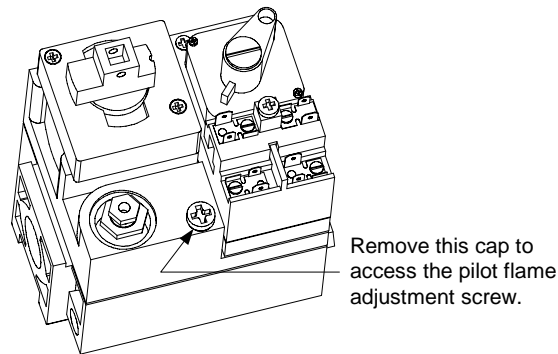
Drain the frypot or remove the handle from the drain valve before proceeding further.

Proper spacing of the edge of the deflectors is ¾-inch (19mm) from the frypot side. To adjust target spacing, bend the brackets to which they are attached away or toward the frypot to the proper distance. (A board of the proper thickness is useful as a gauge to verify spacing and alignment.) The illustration below depicts a typical GF40. The GF14 procedure is the same except that there are no ceramic targets.



1.6 Adjusting the Pilot Flame

1. Remove the cap shown in the illustration below to access the pilot flame adjustment screw in the gas valve.



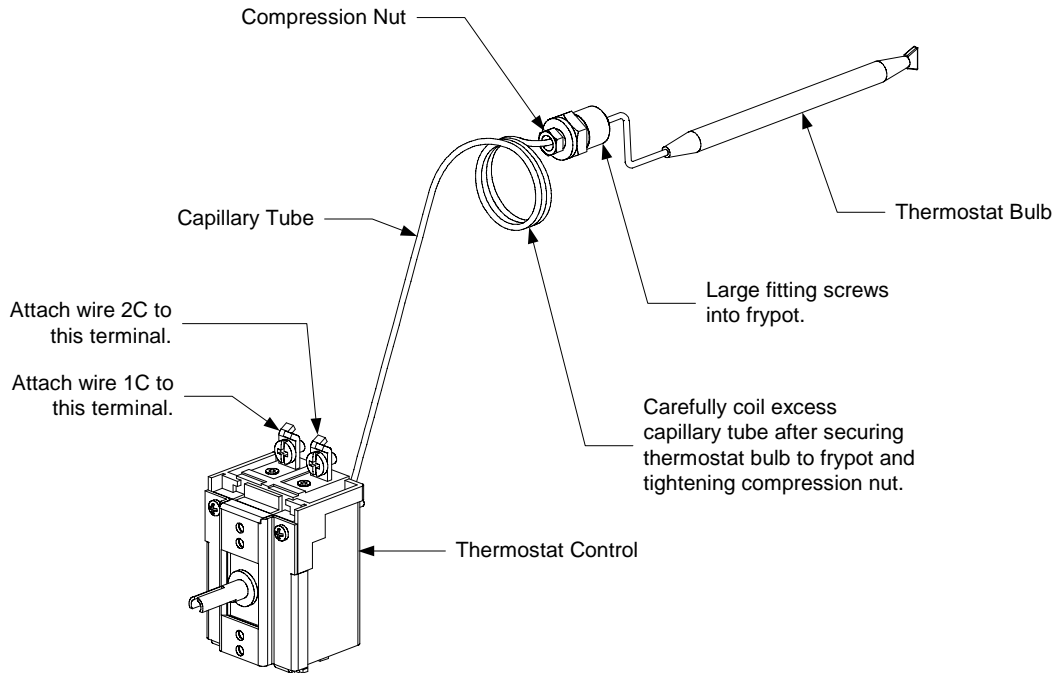
2. Using a small, flat-tipped screwdriver, turn the pilot flame adjustment screw counterclockwise to increase the length of the flame or clockwise to decrease the length of the flame. Adjust the flame to a length of 1 to 1½ inches (25 to 38 mm).
3. Reinstall the pilot flame adjustment screw cap.

1.7 Replacing Fryer Components

1.7.1 Replacing the Operating Thermostat

1. Drain the fryer and turn the gas off.
2. Remove the thermostat knob by pulling straight out on the knob with a firm, steady pull.
3. Disconnect the wires from the thermostat.
4. Remove the two mounting screws to release the thermostat control from its mounting bracket.

5. Straighten the clips that secure the thermostat bulb to the frypot. Use a slotted socket to unscrew the thermostat from the frypot.
6. Loosen the capillary tube compression nut (the small nut) on the replacement thermostat so that it slides freely on the capillary tube. Apply a small amount of Loctite™ PST56765 compound or equivalent to the threads of the large fitting and screw the replacement thermostat securely into the frypot, being careful not to twist the capillary tube as the fitting is tightened. **DO NOT** tighten the capillary tube compression nut at this time.

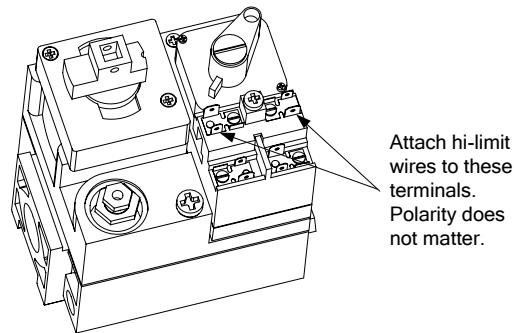


7. Position the thermostat bulb in the retaining clips and fold the clips down to secure it in place.
8. Gently form the capillary tube so that it lies close to the bottom surface and front wall of the frypot, working any slack out through the fitting (see illustration above).
9. Tighten the capillary tube compression fitting and carefully coil the excess capillary tubing as shown in the illustration above. Mount the thermostat control to the mounting bracket using the screws removed in Step 4.
10. Connect the wires disconnected in Step 3 above to the thermostat as shown in the illustration on Page 1-4.
11. Install the thermostat knob on the shaft of the thermostat control.

1.7.2 Replacing the High-Limit Thermostat

1. Drain the fryer and turn the gas off.
2. Disconnect the high-limit wires from the gas valve terminal block.
3. Use a slotted socket to unscrew the thermostat from the frypot.

4. Ensure threads inside the fitting are clean and apply a small amount of Loctite™ PST56765 compound or equivalent to the threads of the new high-limit and screw it securely into the fry-pot.
5. Connect the wires to the gas valve terminals as shown in the illustration below (polarity does not matter).



1.7.3 Replacing Deflectors

1. Drain the fryer and disconnect it from the gas supply.
2. Disconnect the wires from the gas valve terminal block, marking each wire to facilitate reconnection.
3. Disconnect the pipe union collar at the right side of the gas valve.
4. On GF40 fryers, remove the burner heat shield hanger screws at the front of the burner and remove the heat shield.
5. Remove the burner hanger screws and lower the front of the burner assembly. Pull it forward to clear the rear burner hanger, then lower the burner to the floor of the cabinet. Carefully pull the burner assembly from the cabinet.
6. **GF14:** Use a ½-inch box end wrench to remove the brass orifice that holds the deflector to the burner manifold. Position the new deflector and reinstall the orifice.
GF40: Use a ½-inch box end wrench to remove the brass orifices that holds the deflector to the burner manifold. Position the new deflector and reinstall the orifices.

 **WARNING**

Use extreme care to prevent cross-threading and stripping when reinstalling the brass orifices.

7. Reverse steps 1-5 to reinstall the burner assembly. Check spacing and alignment of targets in accordance with Section 1.6.

1.7.4 Replacing the Gas Valve



DANGER

Drain the frypot or remove the handle from the drain valve before proceeding further.

1. Disconnect fryer from the gas supply.
2. Disconnect the wiring from the gas valve terminal block, marking each wire to facilitate reconnection.
3. Disconnect the pilot gas line fitting from the gas valve and remove the vent tube.
4. **GF14:** Disconnect the pipe union to the right of the gas valve and rotate the valve assembly outward just enough to allow the valve to be unscrewed from the burner manifold piping.
GF40: Disconnect the pipe unions at each side of the gas valve and remove the valve from the assembly.
5. Remove the fittings from the old gas valve and install them on the replacement valve, using Loctite™ PST56765 or equivalent pipe thread sealant on threads. Install the vent tube removed from the old valve. **DO NOT** use thread sealant on the vent tube.
6. Reverse steps 1-4 to install the replacement valve, reconnecting the wiring in accordance with the wiring diagram on the door of the fryer or with the notes made in Step 2. Return the fryer to operation and check the burner manifold pressure, as detailed below.
7. Ensure that the gas valve knob is in the **OFF** position.
8. Remove the pressure tap plug from burner manifold.
9. Insert the fitting for a manometer or pressure gauge into the pressure tap hole.
10. Place the gas valve in the **PILOT** position and light the pilot. When the pilot lights and continues to burn, increase the setting on the thermostat knob until the burner lights. Compare the manometer or gauge reading to the appropriate table below.

GF14 Standard for Burner Manifold Pressure	
Gas Type	Pressure
Natural	4.0" WC (1.00 kPa or 9.96 mbar)
LP	10.0" W.C (2.49 kPa or 24.91 mbar)

GF40 Standard for Burner Manifold Pressure	
Gas Type	Pressure
Natural	3.5" WC (0.87 kPa or 8.72 mbar)
LP	8.25" W.C. (2.06 kPa or 20.55 mbar)

11. If the burner manifold pressure does not meet the specifications in the tables in Step 4, unscrew the slotted cap from the top of the gas valve regulator (adjacent to the gas valve vent tube) and turn the adjusting screw to obtain the correct pressure. Turn the screw clockwise to increase pressure, counter-clockwise to decrease pressure.
12. After adjusting the manifold pressure to the correct value, reinstall the regulator cap and turn the gas valve knob to the **OFF** position.

13. Remove the manometer or pressure gauge fitting from the pressure tap hole and reinstall the pipe plug.
14. Place the gas valve in the **PILOT** position and check for gas leaks. If no leaks are found, re-light the pilot and return the unit to operation.

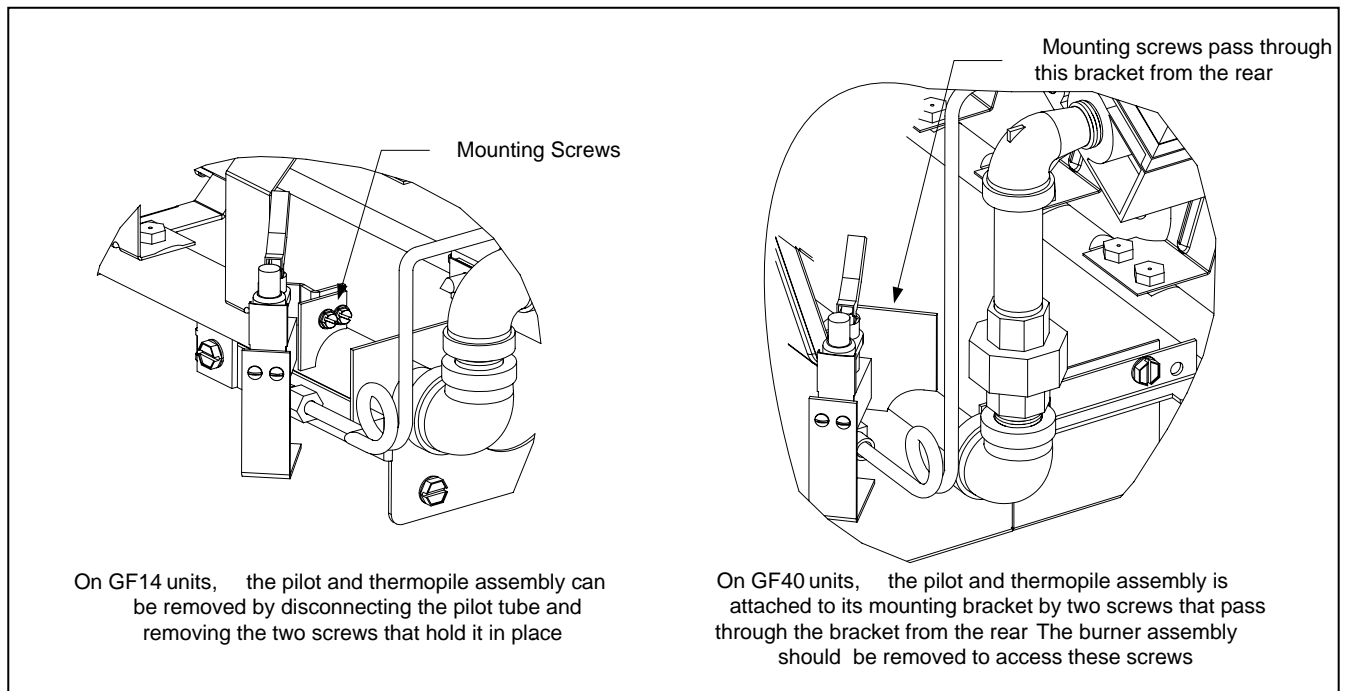
1.7.5 Replacing the Thermopile or Pilot Assembly



DANGER

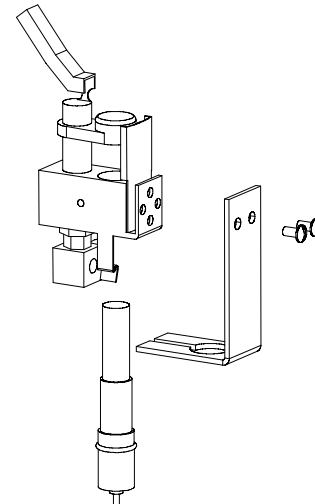
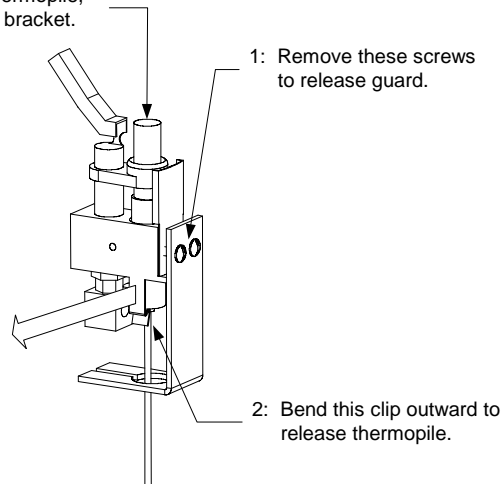
Drain the frypot or remove the handle from the drain valve before proceeding further.

A pair of small screws (see illustration below) attaches the pilot assembly, which consists of the pilot and the thermopile, to the burner manifold.



1. To replace only the thermopile, disconnect the leads from the gas valve, remove the guard, bend the clip at the bottom of the pilot assembly outward, and press the thermopile out of the assembly from the top. Reverse the procedure to install the replacement thermopile.

3: Press down on top of thermopile, forcing it out of the pilot bracket.



3. To replace the complete pilot assembly:
 - a. Disconnect the pilot tube from the bottom of the pilot assembly.
 - b. **GF14:** Remove the screws from the pilot-mounting bracket to release the pilot assembly.
GF40: Remove the burner manifold assembly in accordance with Steps 1-5 of Section 1.8.3.
 - c. Disconnect the thermopile lead from the gas valve pilot coil.
 - d. Reverse steps a through c to install the replacement pilot assembly.
4. Reinstall the burner assembly by reversing steps 1-5 of Section 1.8.3.
5. Verify that the pilot flame is 1 to 1½-inches long. If not, adjust the pilot flame length in accordance with Section 1.7.

1.7.6 Replacing the Frypot

1. Drain the frypot and disconnect the fryer from the gas supply.
2. Remove all accessories (e.g., frypot covers, drop-in probes, basket hangers, etc.).
3. Remove the screws from the sides and back of the flue cap and lift it off the fryer.
4. Remove the screws from the front cowling (front panel) and pull the bottom edge forward enough to disengage the upper door hinge pin from the hole in the bottom of the cowling. Catch the door with one hand to prevent it from falling when the hinge pin disengages.
5. Remove the door by lifting it upward to disengage the lower hinge pin from the hinge bracket, being careful not to lose the three Teflon spacers located between the lower edge of the door and the hinge bracket.
6. Remove the cowling by pulling its bottom edge outward slightly and slipping the upper edge downward from under the front lip of the frypot.

7. Remove the screw from the frypot hold-down bracket located at the center of the cabinet cross brace.
8. Dismount the thermostat control from the thermostat bracket.
9. Disconnect the pipe union on the right side of the gas valve.
10. Lift the frypot assembly upward from the cabinet.
11. Recover the drain valve, high-limit thermostat, operating thermostat, and burner manifold assembly from the failed frypot.
12. Clean the threads on the recovered parts, apply Loctite™ PST 56765 or equivalent thread sealer, and install them on the replacement frypot.
13. Reverse Steps 1-10 to install the replacement frypot in the cabinet.

1.8 Troubleshooting and Problem Isolation

This section is intended to provide technicians with a general knowledge of the broad problem categories associated with this equipment, and the probable causes of each. With this knowledge, the technician should be able to isolate and correct any problem encountered.

Problems you are likely to encounter can be grouped into these broad categories:

1. Pilot failures
2. Improper burner functioning
3. Improper temperature control
4. Leaking

The probable causes and corrective actions for each category are discussed in the following sections.

1.8.1 Pilot Failures

Pilot failures fall into one or the other of two categories – failure to light or failure to remain lit.

Pilot Fails to Light

1. Gas is not being supplied to the valve: Check for a closed gas cutoff valve upstream of the gas valve. Also verify that the gas line quick disconnect fitting at the rear of the fryer (if so equipped) is properly connected.
2. Blocked pilot orifice: If gas is reaching the valve but the pilot will not light, check for an obstruction in the pilot orifice, especially in new installations. If the orifice is clear, check to be sure that the pilot adjustment screw is not completely closed.

Pilot Does Not Remain Lit When Gas Valve Knob is Released

The electromechanical Honeywell gas valve used on the GF14 and GF40 fryers has a pair of normally open coils (electromagnetic switches) that close when low voltage is applied to them. If the coils do not close, the valve will not open to supply gas to the pilot or to the burner manifold. Turning the gas valve knob to the pilot position and pressing it in bypasses the pilot coil, allowing the pilot to be lighted. The pilot flame heats the thermopile, which generates the voltage required to close the coils. If the pilot flame goes out when the knob is released, there are four probable causes:

1. **Open or grounded high-limit:** The high-limit thermostat functions as a normally closed switch. If the high-limit is open or grounded, the gas valve coil will not pull in and no gas will be supplied to the pilot or to the burner manifold.

Check and Corrective Action: Detach the high-limit leads from the gas valve and check for continuity. If the high-limit fails the continuity check, it must be replaced.

2. **Loose/corroded wiring connections on high-limit or thermopile:** This has the same effect as an open or grounded high-limit. If the gas valve coils do not receive the appropriate voltage from the thermopile, they will not close and no gas will be supplied to the pilot or to the burner manifold.

Check and Corrective Action: Check wiring connections for corrosion and tightness. Check terminals to verify that they are securely attached to their leads.

3. **Low or no voltage out of thermopile:** If the tip of the thermopile is not surrounded by the pilot flame, it will not generate sufficient voltage to the gas valve coils for them to close. No gas will be supplied to the pilot or to the burner manifold.

Checks and Corrective Actions:

Observe pilot flame through the viewing port in the lower left corner of the frypot front baffle assembly. If the pilot flame is less than 1-inch (25mm) adjust the pilot flame in accordance with Section 1.7. If the flame is being blown away from the pilot, eliminate the draft that is causing it to be blown away from the thermopile.

If the pilot flame correctly impinges the tip of the thermopile, connect a multimeter in series with either of the thermopile leads and its gas valve terminal. Light the pilot and allow it to burn for at least two minutes, then check the voltage output. If voltage is less than 400 millivolts, replace the thermopile.

4. **Malfunctioning gas valve:** If either of the coils in the gas valve fails, no gas will be supplied to the pilot or to the burner manifold.

Check and Corrective Action: If all the above checks are satisfactory, the gas valve has failed. Replace the gas valve.

1.8.2 Improper Burner Functioning

If the *burner lights on one side only*, the probable causes are a missing or misaligned rear deflector or improper burner manifold pressure. Clogged burner orifices are usually the cause of *gaps in burner firing*.

Fluctuating flame intensity is normally caused by improper or fluctuating incoming gas pressure, but may also be the result of variations in the kitchen atmosphere. Variation in the kitchen atmosphere is usually caused by air conditioning and/or ventilation units starting and stopping. As the units start and stop, the pressure in the kitchen may change. Changes in airflow patterns can also affect flame intensity. If the incoming gas pressure is correct and stable, check for variations in the kitchen atmosphere.

Flames “rolling” out of the fryer are usually an indication of negative pressure in the kitchen. Air is being sucked out of the fryer enclosure and the flames are literally following the air. If negative pressure is not the cause, check for high burner manifold gas pressure. An obstructed flue, which prevents the fryer from properly exhausting, may also be the cause.

An *excessively noisy burner*, especially with *flames visible above the flue opening*, may indicate that the burner gas pressure is too high, or it may simply be that the gas valve vent tube is blocked. If the gas pressure is correct and the vent tube is unobstructed, the gas valve regulator is probably defective.

Occasionally a burner may apparently be operating correctly, but nevertheless the fryer has a *slow recovery rate* (the length of time required for the fryer to increase the oil temperature from 250°F to 300°F (121°C to 149°C)). The primary causes of this are low burner manifold pressure and/or misaligned or missing deflector targets. If both of these causes are ruled out, the probable cause is a gas valve regulator that is out of adjustment. Refer to the **Check Burner Manifold Pressure** procedure in the Semi-Annual Checks and Services section of Chapter 4 of the Installation and Operation manual.

1.8.3 Improper Temperature Control (i.e., failure to control at set point)

Temperature control is a function of several interrelated components, each of which must operate correctly. The principle component, however, is the thermostat.

The thermostat must be checked periodically.

Causes of temperature problems may be damage to the thermostat bulb, kinking of the capillary tube, and broken or loose wiring. Inspect the thermostat components for visible damage.

If there are dents in the bulb, if the capillary is kinked, or if there is obvious damage to the leads, the thermostat should be replaced.

If there is no obvious damage to the thermostat, turn off the gas valve and allow the cooking oil/shortening to cool to at least 15 degrees below the thermostat setting. Disconnect the thermostat leads from the gas valve and check for continuity. If the thermostat fails the continuity check, it must be replaced.

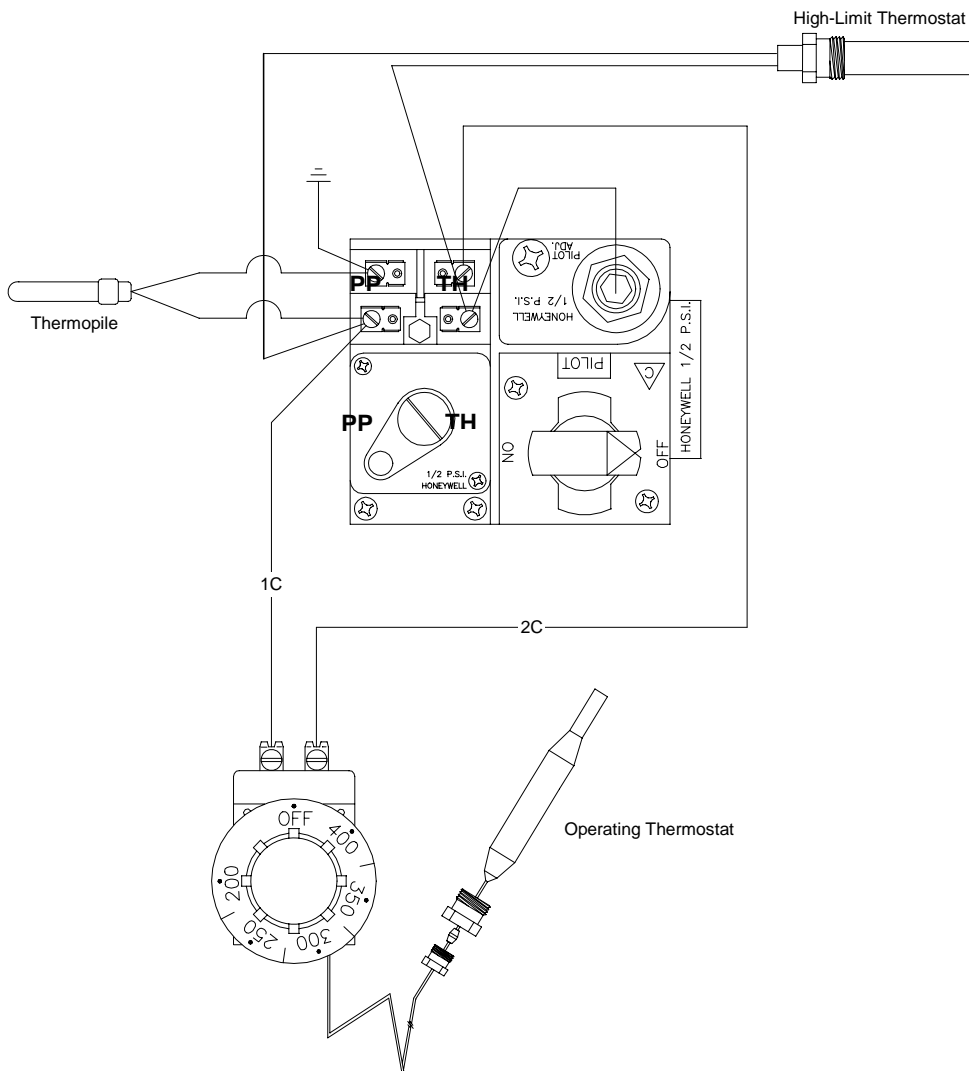
1.8.4 Leaking

Leakage of the frypot almost always will be due to improperly sealed high-limits, thermostats, or drain fittings. When installed or replaced, each of these components must be sealed with Loctite™ PST56765 sealant or equivalent to prevent leakage. In very rare cases, a leak may develop along one of the welded edges of the frypot. When this occurs, the frypot must be replaced.

If the sides and/or ends of the frypot are coated with oil/shortening, the most likely cause is spillage over the top of the frypot rather than leakage.

1.9 Wiring Diagram

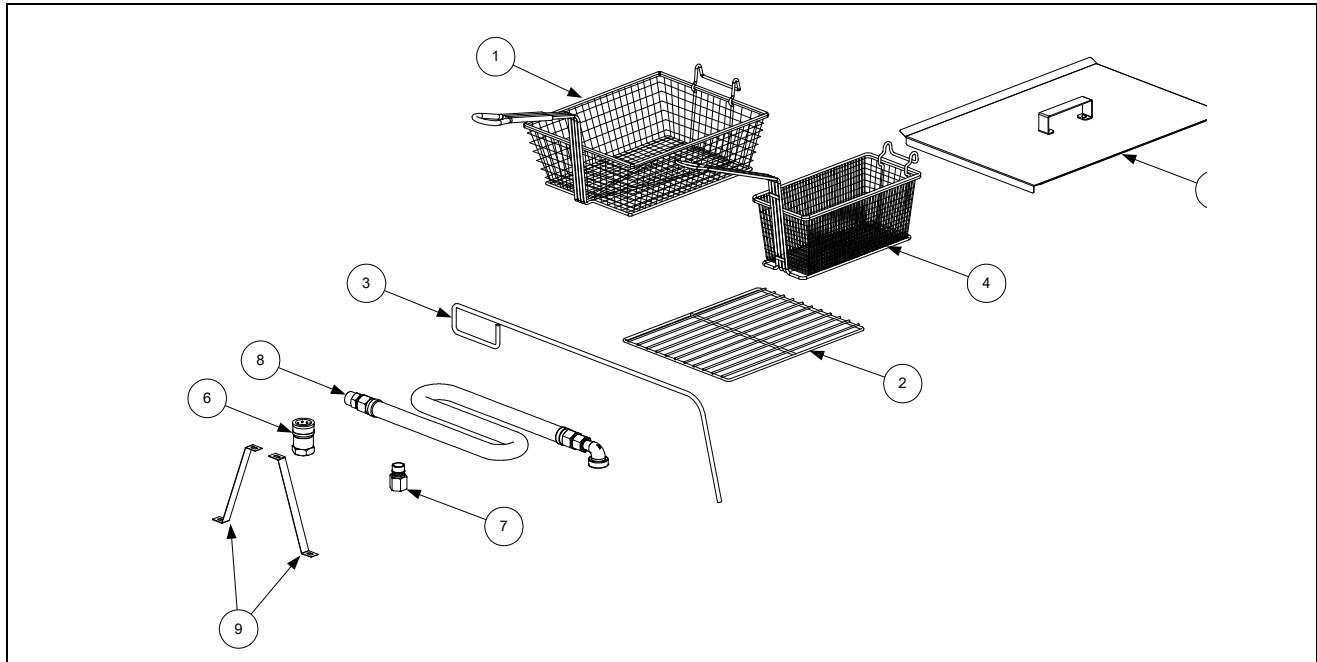
1.9.1 Current Production Units with Honeywell Gas Valve



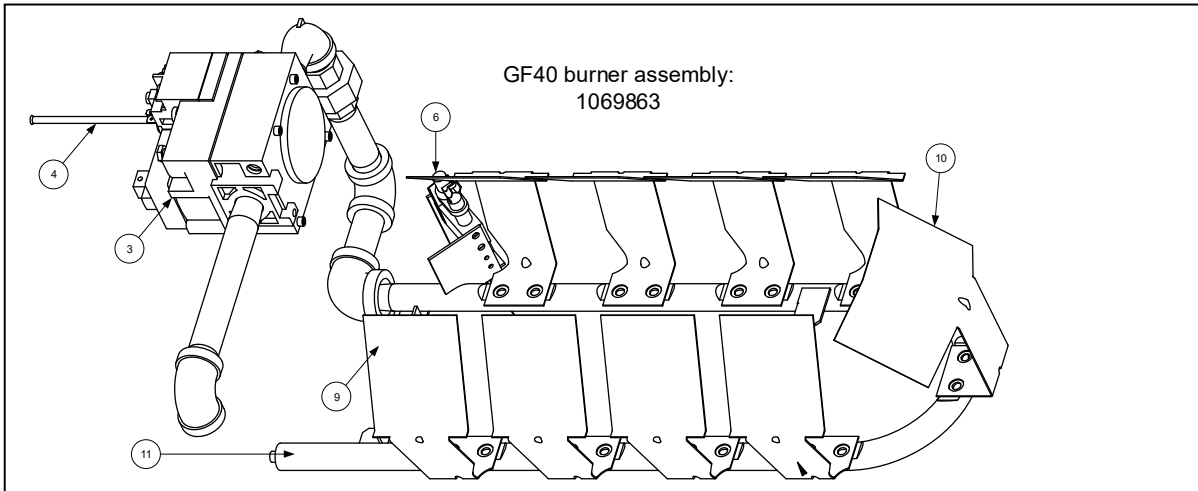
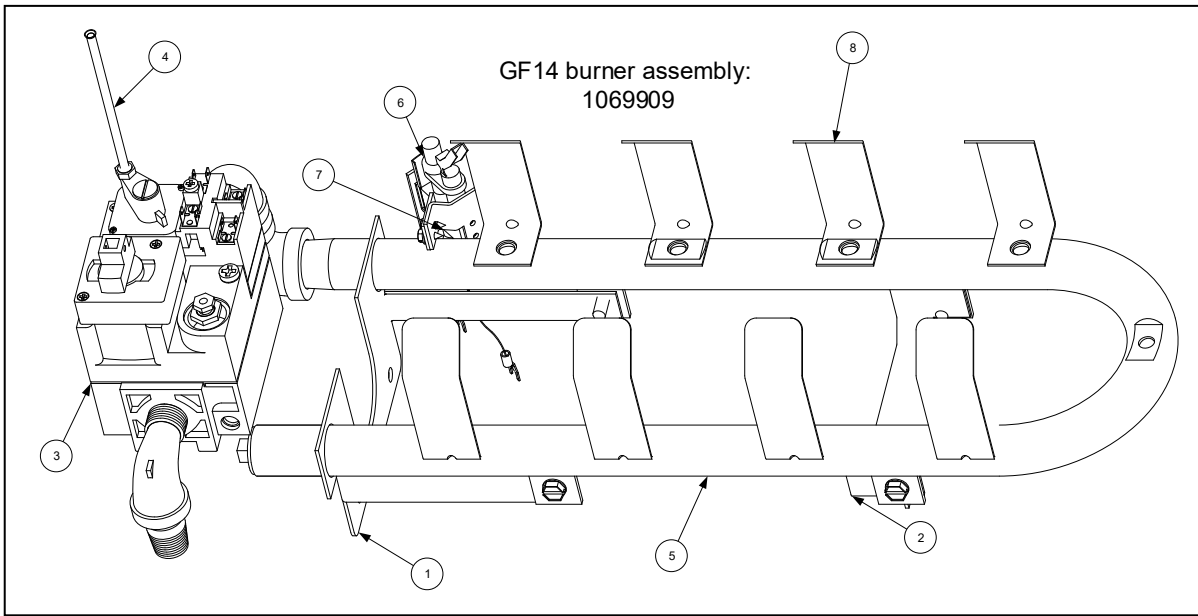
GF14/GF40 SERIES GAS FRYERS

CHAPTER 2: GF14/GF40 PARTS LIST

1/1/08 and Later



Item	Part #	Component
1	8030015	Basket, Full
2	8030032	Rack, basket support, GF14
*	8030132	Rack, basket support, GF40
*	8030037	Basket rack, fine mesh GF14
*	8030136	Basket rack, fine mesh GF40
3	8030197	Cleanout Rod, 27-Inch
4	8030271	Basket, Twin
5	8065518	Cover, Frypot
6	8100070	Quick-Disconnect Fitting, Female 3/4-inch
	8100073	1-inch
7	8100072	Quick-Disconnect Fitting, Male 3/4-inch
	8100074	1-inch
8	8100083	Hose, Flexible Gas 3/4-inch x 36-inch
	8100084	3/4-inch x 48-inch
	8100088	1-inch x 36-inch
	8100085	1-inch x 48-inch
9	8261095	Anchor Strap Kit (for use only on fryers equipped with legs)
*	8260900	Chain Restraint Kit (for use only on fryers equipped with casters)
*	8121226SP	Drain Extension
*	8103169	Leg, pack of 4
*	8100750	Caster, 90° rigid
*	8100356	Caster, without brake
*	8100357	Caster, with brake
*	1064386SP	Toggle switch
*	8102793	Basket hanger
*	8090171	Basket hanger screw (spacer 8090921)
*	8030188	Sediment tray, GF14
*	8030103	Sediment tray, GF40



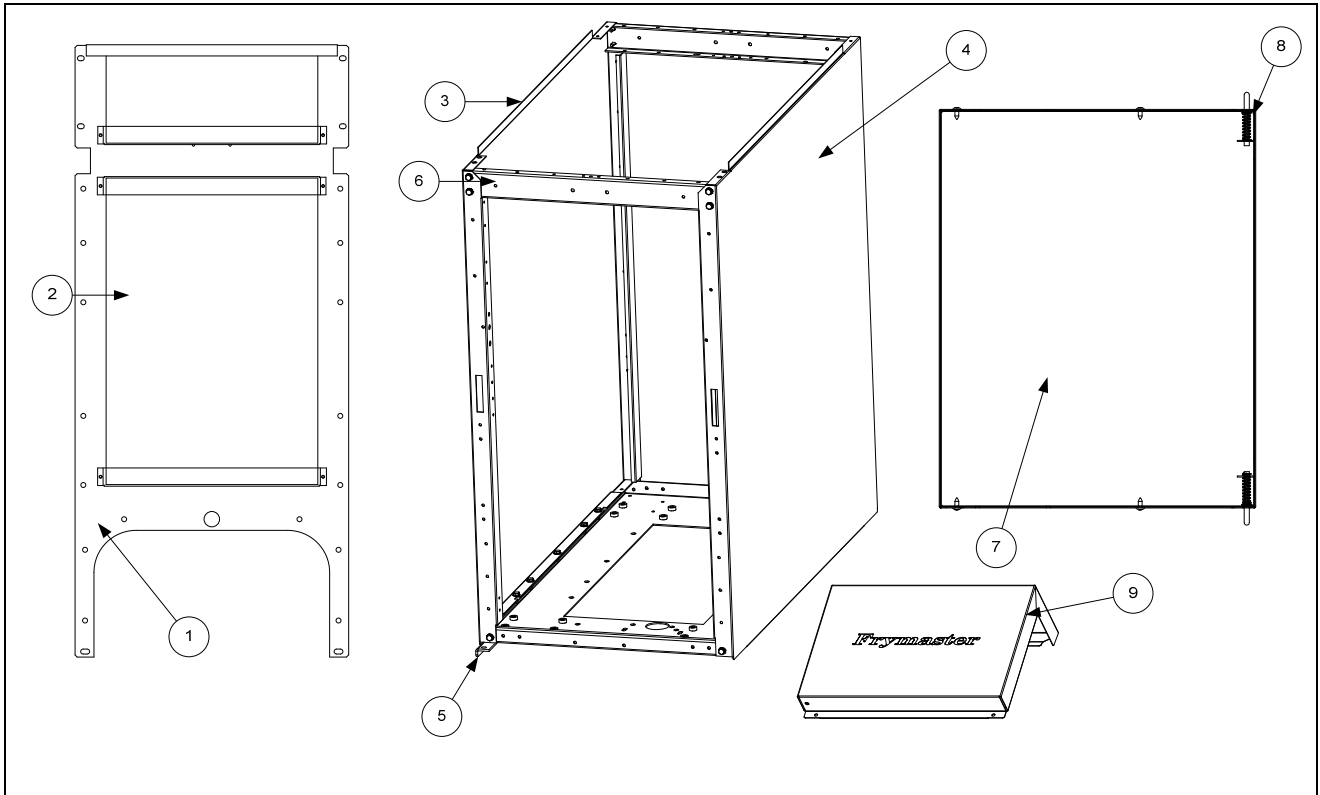
Burners

Item	Part #	Component
1	2000176	Bracket, Front Manifold Mounting
2	2000177	Hanger, Rear Manifold
*	2000749	Guard, Thermopile
*	8101873	Thermopile
*	8121284	Thermocouple Assy Honeywell CE
3		Valve, Honeywell Millivolt Gas
	8071603	Natural (See NOTE 2.)
	8074137	Natural (Australia)
	8071604	Propane (See NOTE 2.)
	8074138	Propane (Australia)
*	8100975	Knob
4	8100691	Tube, Gas Valve Vent
*	8100703	Gas Line, .25-inch x 17.50-inch
5	8101862	Manifold, Burner , GF14
		Conversion Kits
*	8261139	GF14 Conversion Kit, Natural to LP

*	8261140	GF14 Conversion Kit, LP to Natural
*	8261143	GF40 Conversion Kit, Natural to LP
*	8261144	GF40 Conversion Kit, LP to Natural
6		Pilot Assembly (Includes bracket, hood, and thermopile.
	8102071	Natural Gas w/.024-inch Orifice 8100149 (8100426 Pilot)
	1069921SP	Natural Gas, Australian
	8102070	Propane Gas w/.013-inch Orifice 8100148 (8100427 Pilot)
	1069922SP	Propane Gas, Australian
7	9001032	Bracket, Pilot Mounting
8	9101082	Deflector, side, GF14
9	2301177	Deflector, side, GF40
10	2301206	Deflector, rear, GF40
*	9102113	Deflector, rear, GF14
11	8230496	Burner, manifold, GF40

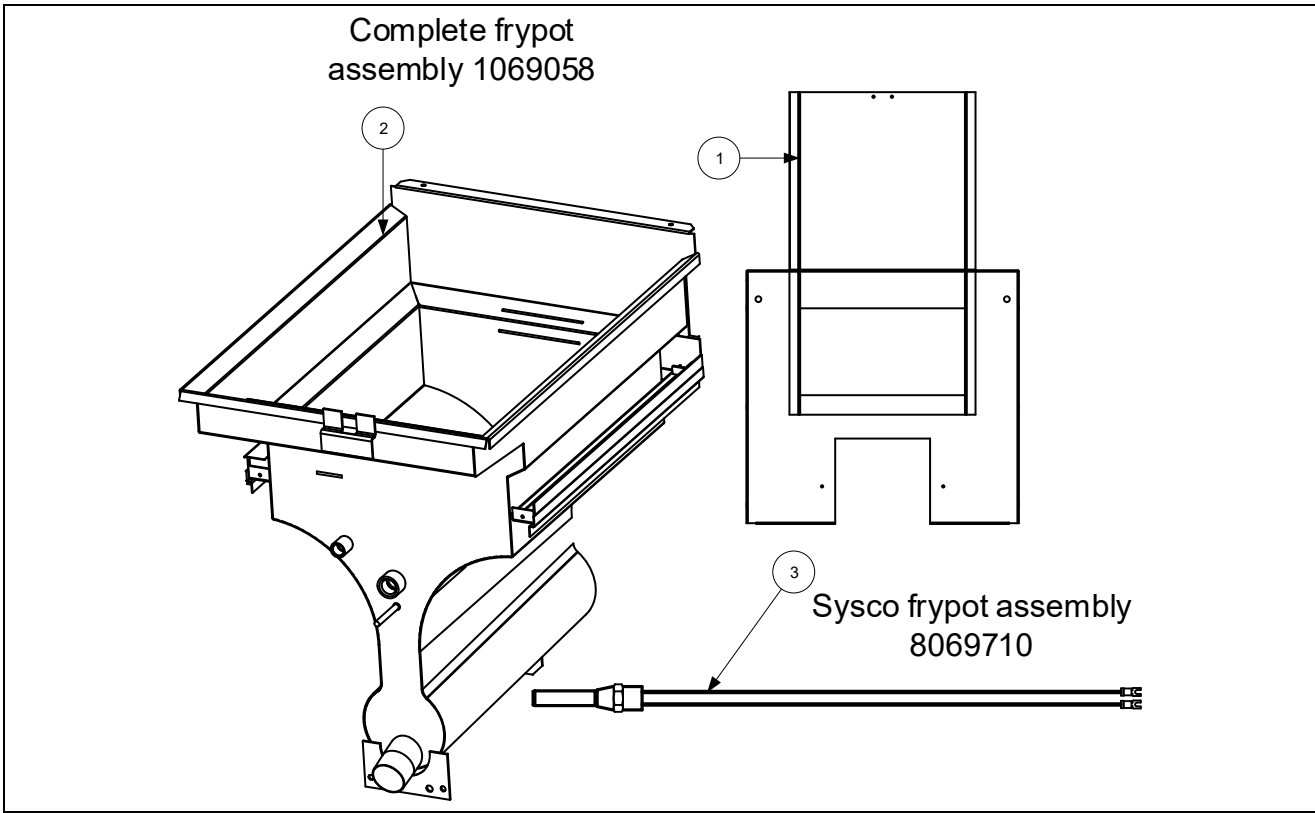
NOTE 1: For gas valve knob only, use P/N 8100975. **NOTE 2:** Use kit 8261139 to convert valve from natural gas to Propane; use kit 8261140 to convert from Propane to natural gas. Kits also include appropriate pilot orifices. **NOTE 3:** For Pilot only, order P/Ns 8100426 (Natural) or 8100427 (Propane). For Thermopile only, order P/N 8100159.

Standard Orifices				
	Part #	Size	Altitude	Qty
GF14, Natural	8261388	1.655mm	0-1999 feet (0-609 meters)	10
GF 14, Propane	8261354	1.05 mm	0-1999 feet (0-609 meters)	10
GF40, Natural	8261357	1.45 mm	0-1999 feet (0-609 meters)	10
GF40, Propane	8261387	0.86mm	0-1999 feet (0-609 meters)	10
High-Altitude Orifices				
	Part #	Size	Altitude	Qty
GF14, Natural Gas	8102804	1.60 mm	2000-3999 (610-1219 meters)	1
	8120907	1.55 mm	4000-5999 feet (1220-1829 meters)	1
	8121204	1.50 mm	6000-7999 feet (1830-2438 meters)	1
	8261357	1.45 mm	8000-8999 feet (2439-2743 meters)	10
	8261386	11.40 mm	9000-9999 feet (2744-3048 meters)	10
GF 14, Propane	8100135	1.02 mm	2000-3999 (610-1219 meters)	1
	8261391	0.99 mm	4000-5999 feet (1220-1829 meters)	10
	8120906	0.95 mm	6000-7999 feet (1830-2438 meters)	1
	8120915	0.93 mm	8000-8999 feet (2439-2743 meters)	1
	8120910	0.90 mm	9000-9999 feet (2743-3048 meters)	1
GF40, Natural	8261386	1.40 mm	2000-3999 feet (610-1219 meters)	10
	8100361	1.36 mm	4000-5999 feet ((1220-1829 meters)	1
	8100131	1.30 mm	6000-7999 feet (1830-2438 meters)	1
	8100951	1.25 mm	8000-8999 feet (2439-2743 meters)	1
	8100323	1.20 mm	9000-9999 feet (2744-3048 meters)	1
GF40, Propane	8100952	0.82 mm	2000-3999 (610-1219 meters)	1
	8261352	0.81 mm	4000-5999 feet (1220-1829 meters)	10
	8120914	0.78 mm	6000-7999 feet (1830-2438 meters)	1
	8121302	0.76 mm	8000-8999 feet (2439-2743 meters)	1
	8120444	10.74 mm	9000-9999 feet (2743-3048 meters)	1



Cabinetry

Item	Part #	Component
1	2006903	Back GF14
	2006904	Back GF40
2	8160656	Insulation, back
		Sides
3	2016917	Side, left, stainless
4	2026917	Side, right, stainless
*	2126893	Right, painted
*	2116893	Left, painted
5	2307192	Hinge, lower
6	9004813	Brace, cabinet top
7	1069539	Door assembly
*	2304960	Handle, universal
8	1064067	Pin assembly
9	8241946	Topcap
*	8101105	Magnet, offset door
*	9103557	Deflector, Flue

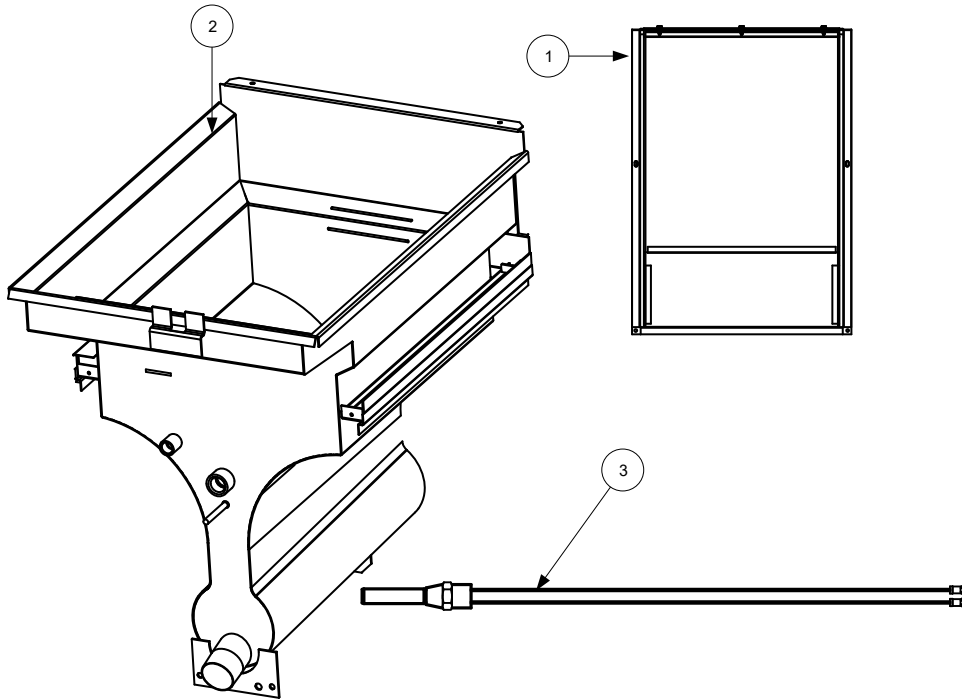


Frypots

Item	Part #	GF14 Frypot Components
1	8231024	Flue assembly
*	9103557	Deflector, flue
2	8236655	Frypot, Standard
*	8234493	Frypot, Sysco-branded fryers
	8067972	Operating thermostat (Sysco fryer)
3	1060770	Thermostat
*	8261177	Hi-limit
*	8262014	Operating thermostat
*	8160139	Knob, thermostat
*	9102113	Target, rear, GF14
*	8101569	Valve, Drain 1.25-inch
*	8260861	Insulation kit

* Not Illustrated

Complete frypot
assembly 1069077



Item	Part #	GF40 Frypot Components
1	8065567	Flue
*	9103557	Deflector, flue
2	8236667	Frypot
3	8261177	Hi-limit thermostat
*	8262014	Operating thermostat
*	8160139	Knob, thermostat
*	8101569	Valve, Drain 1.25-inch
*	8260861	Insulation kit

THIS PAGE INTENTIONALLY LEFT BLANK

Frymaster[®]

FRYMASTER
8700 LINE AVENUE, SHREVEPORT, LA 71106-6800

800-551-8633
318-865-1711
WWW.FRYMASTER.COM
EMAIL: FRYSERVICE@WELBILT.COM



Welbilt offers fully-integrated kitchen systems. Welbilt's portfolio of award-winning brands includes Cleveland™, Convotherm®, Crystal Tips®, Dean®, Delfield®, Fabristeel®, Frymaster®, Garland®, Inducs®, Koldtech®, Kolpak®, Lincoln®, McCann's™, Merco®, Merrychef®, Multiplex®, RDI®, SerVend™, SunFire®, U.S. Range™, and WMaxx™. Supported by service brands: FitKitchen®, kitchen systems; and KitchenConnect®, cloud-based open platform.

Bringing innovation to the table • welbilt.com

©2023 Frymaster LLC. except where explicitly stated otherwise. All rights reserved. Continuing product improvement may necessitate change of specifications without notice.

Part Number FRY_SP_8196438 09/2023