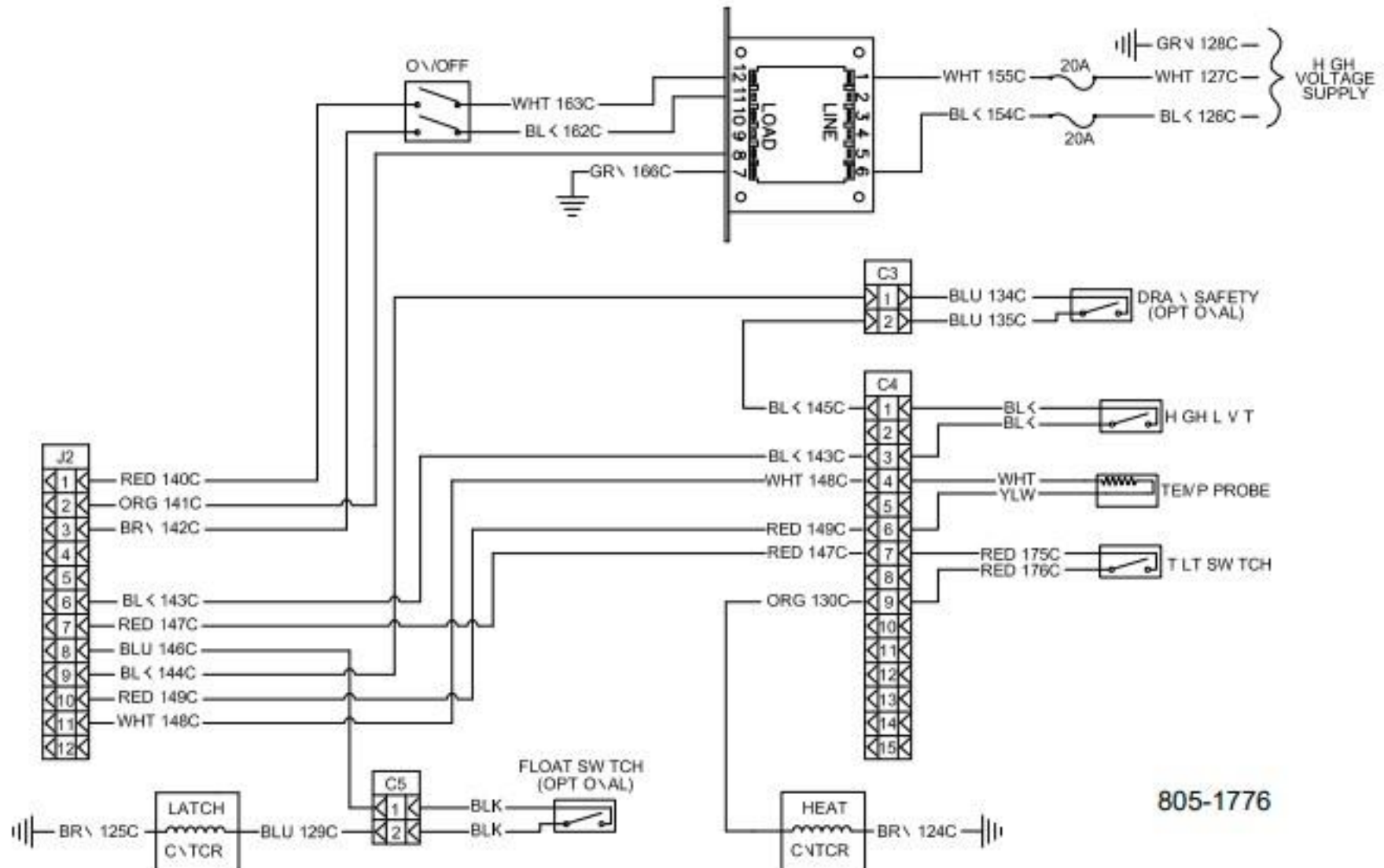
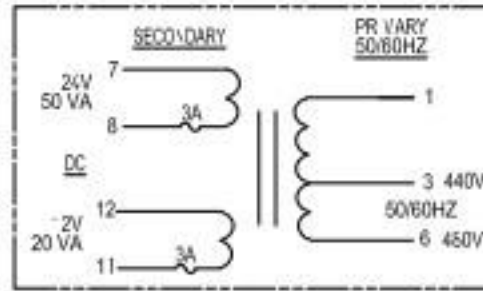
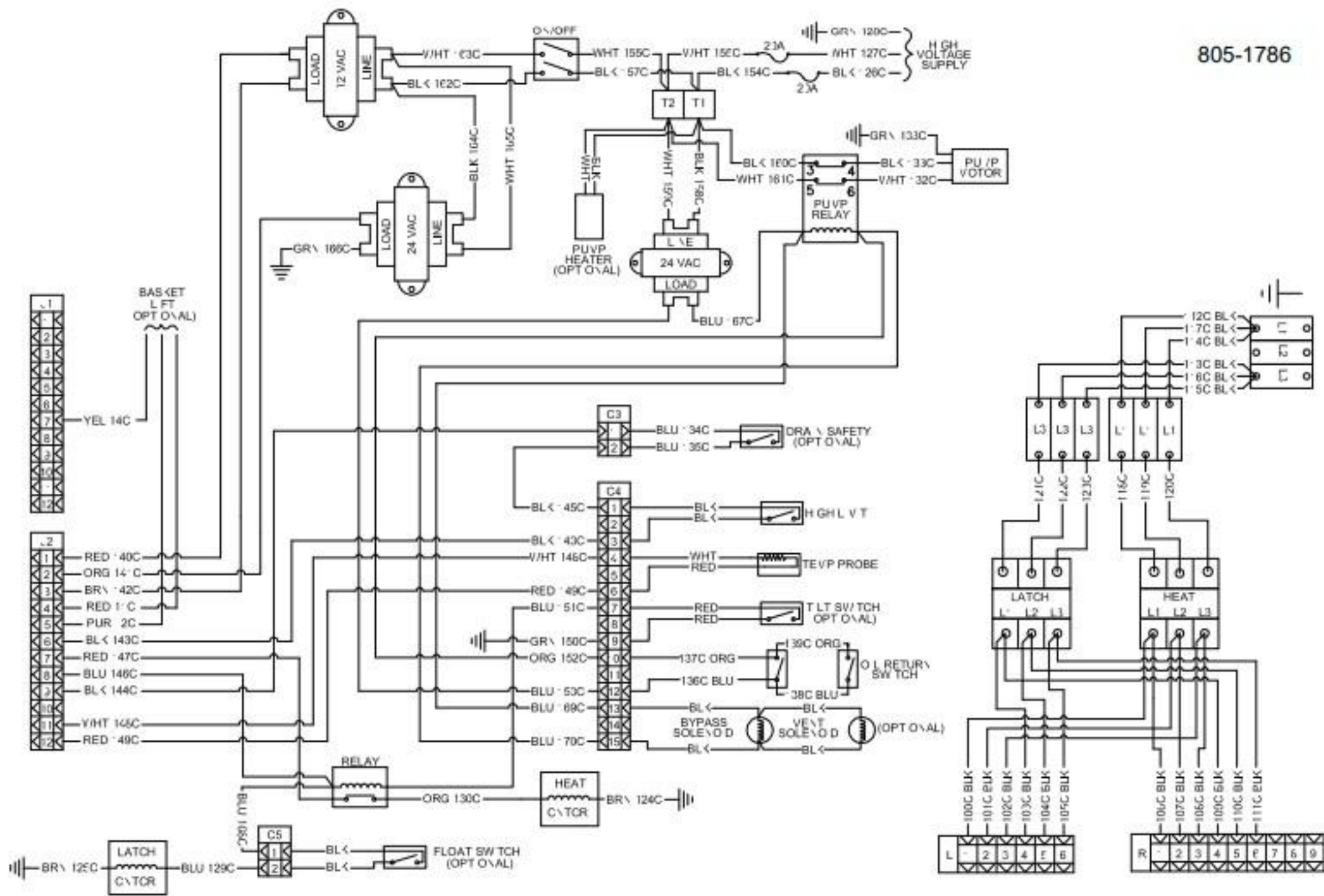
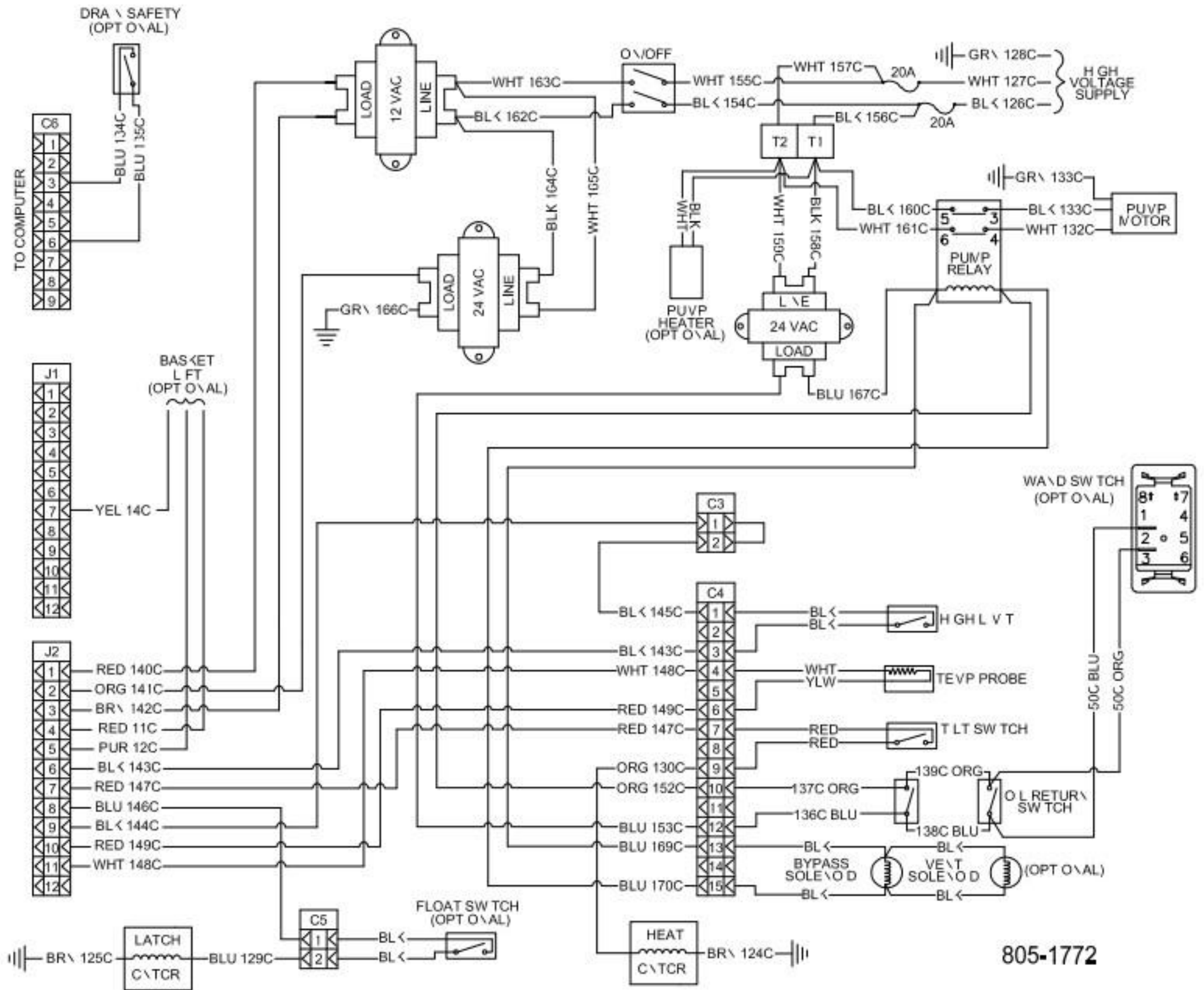


805-1773

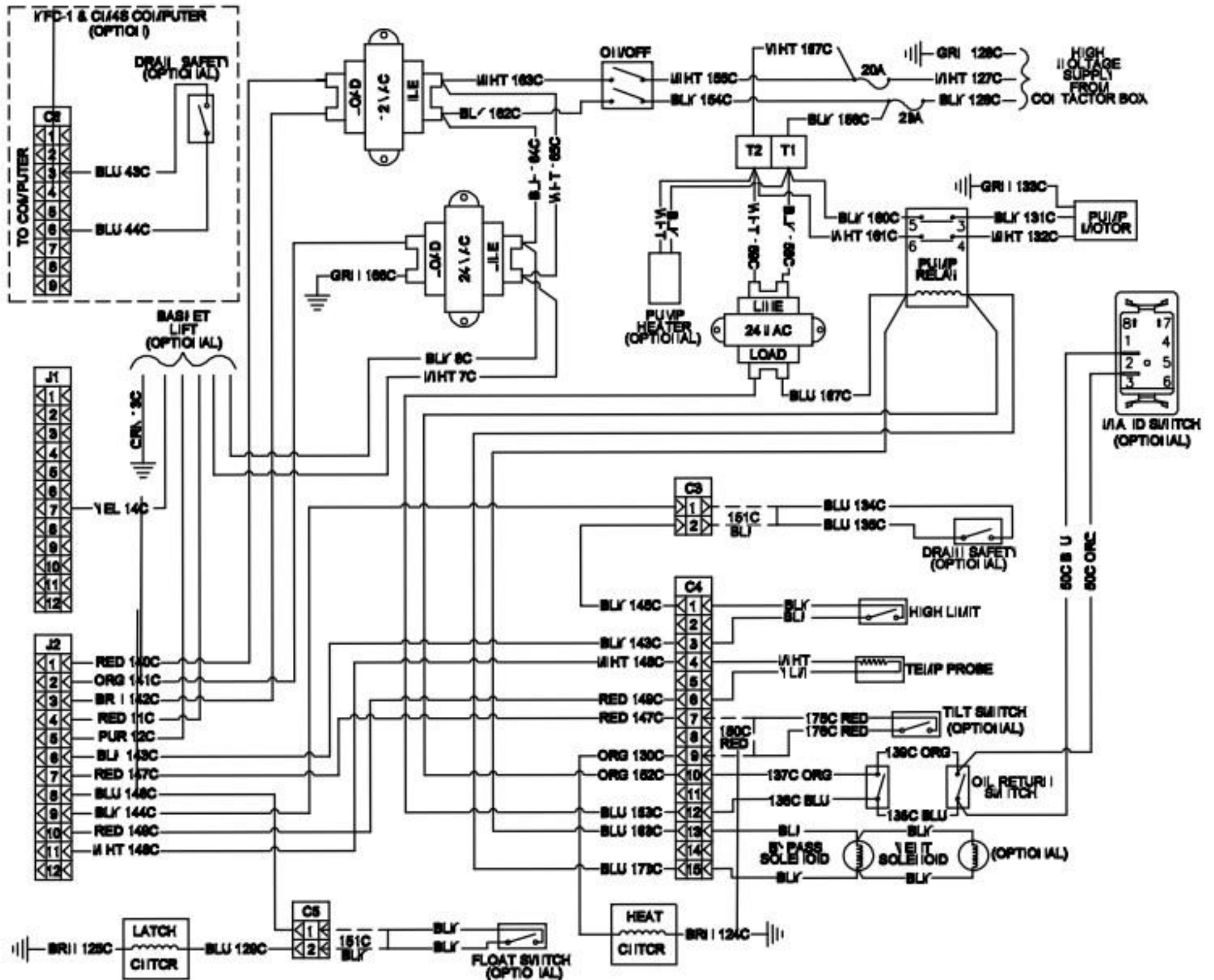


805-1776

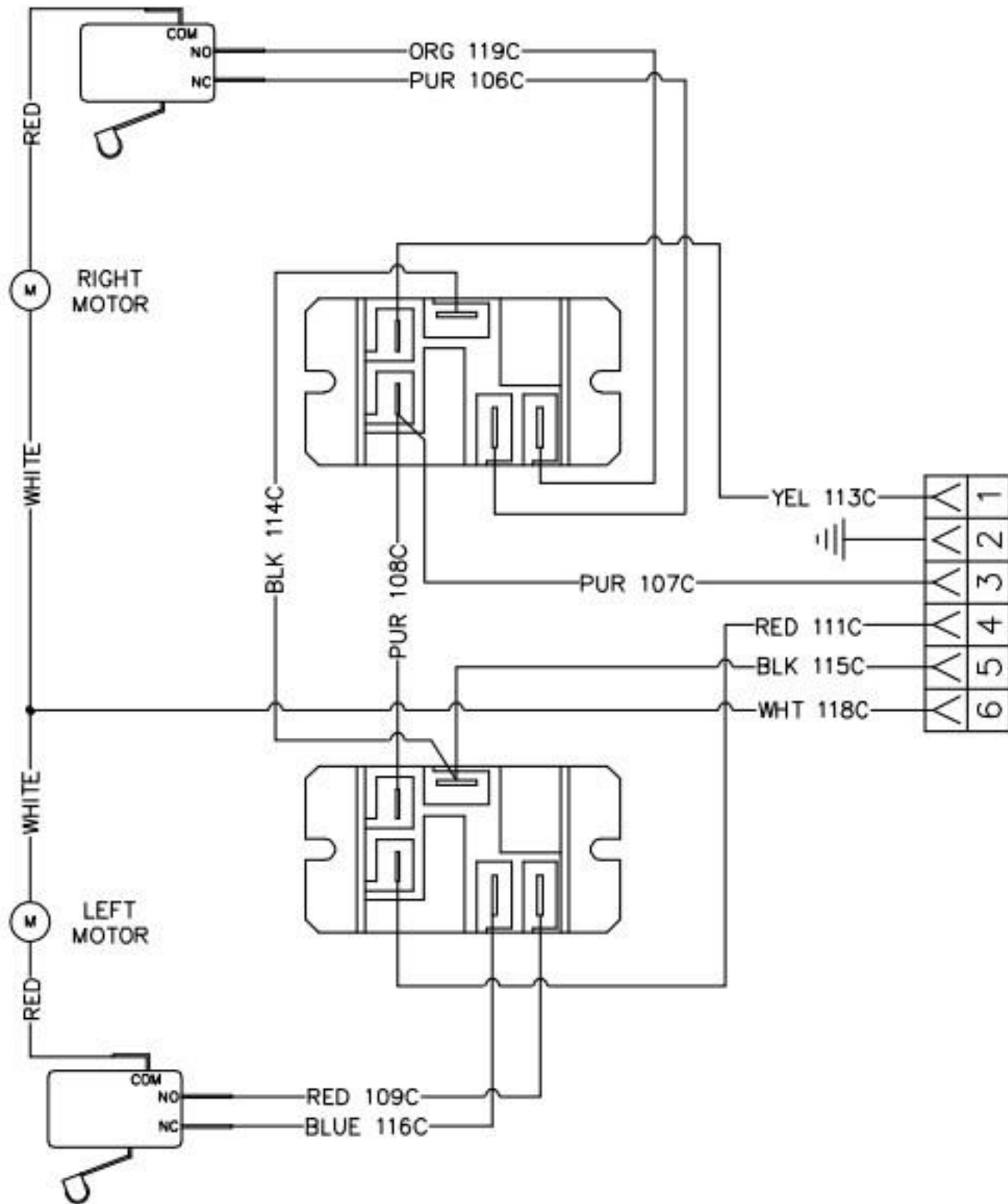




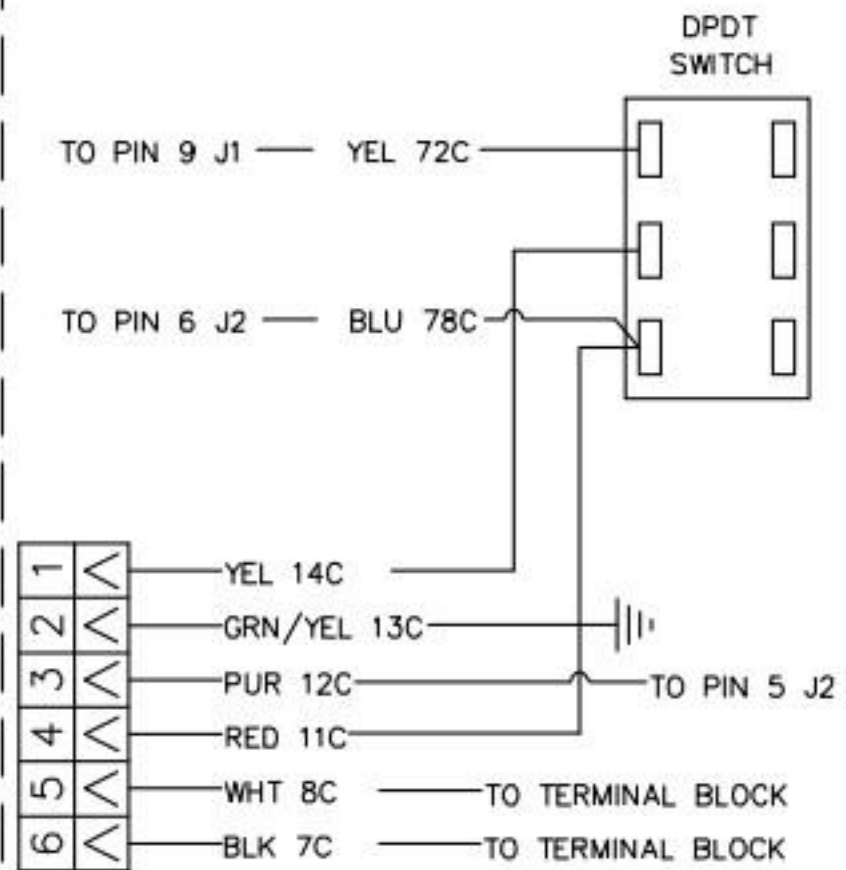
805-1772



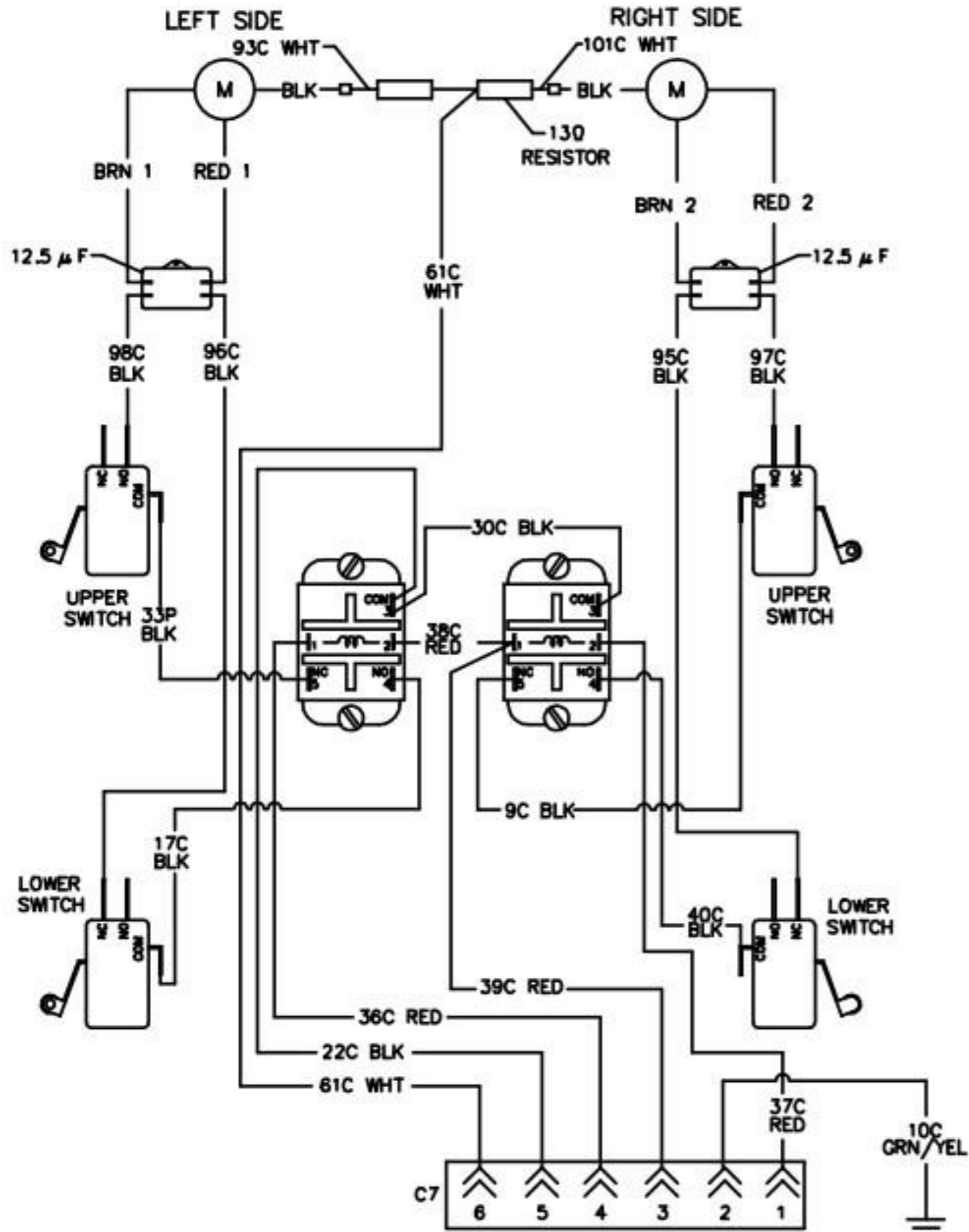
8051762D



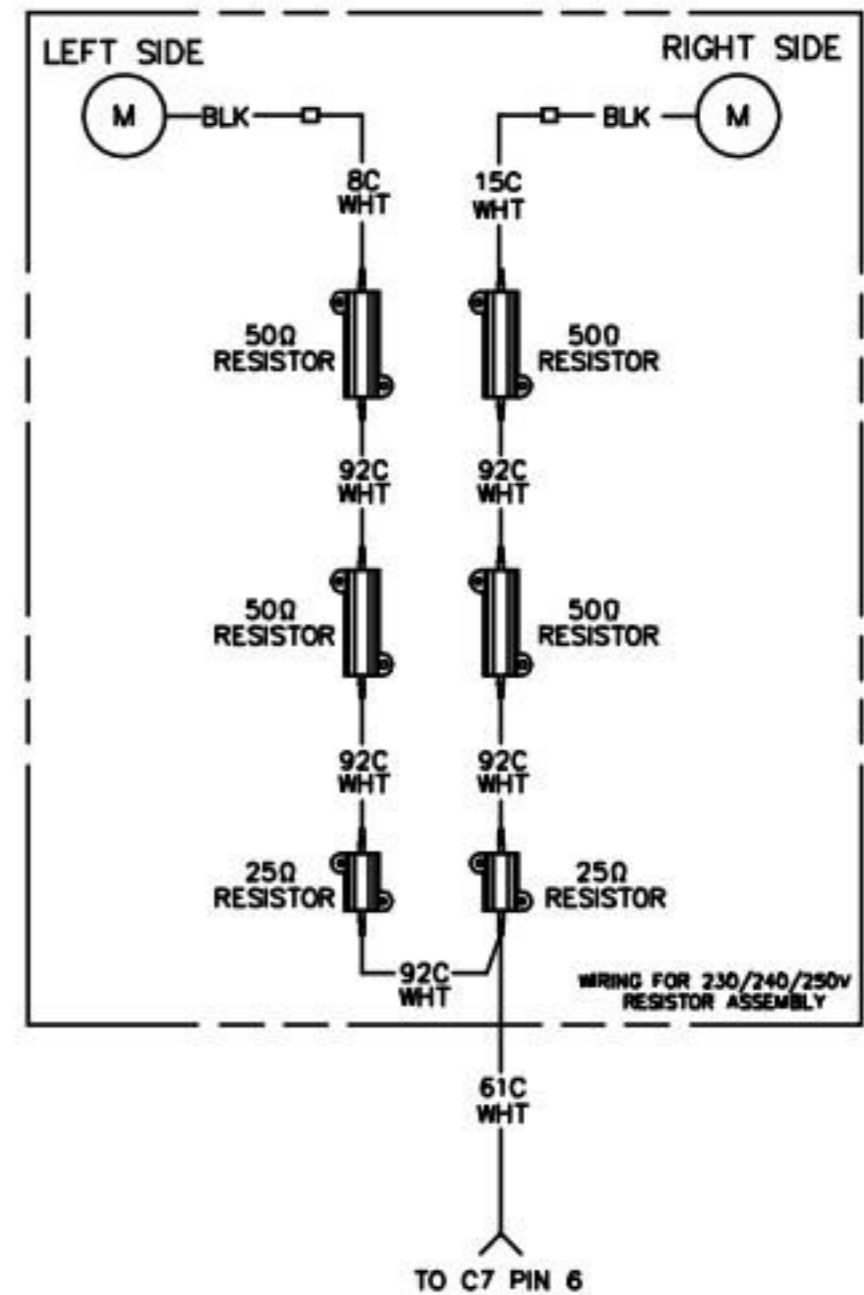
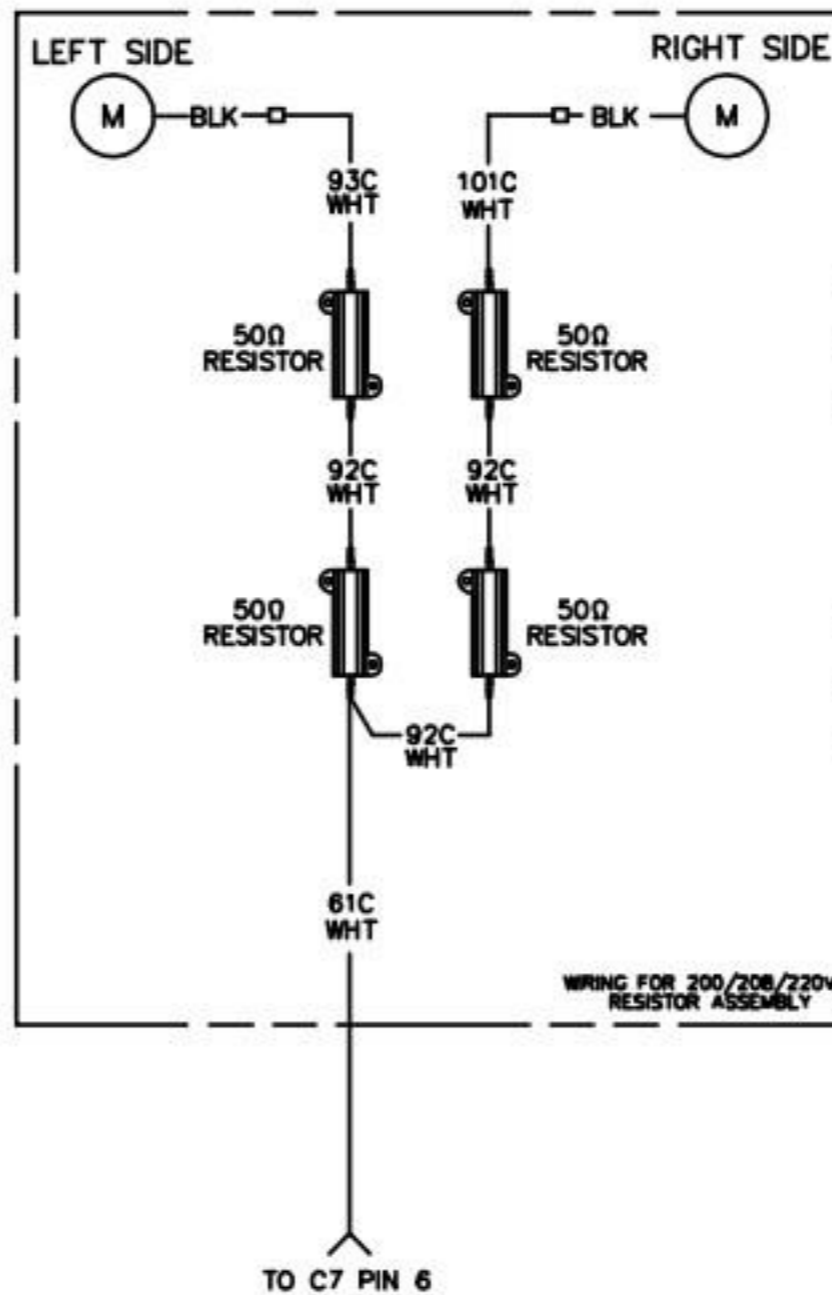
MOTOR BOX



COMPONENT BOX



REFERENCES TO LEFT & RIGHT ARE FROM THE REAR OF THE FRYER



8051521C

H

Modular Basket Lift Schematic

