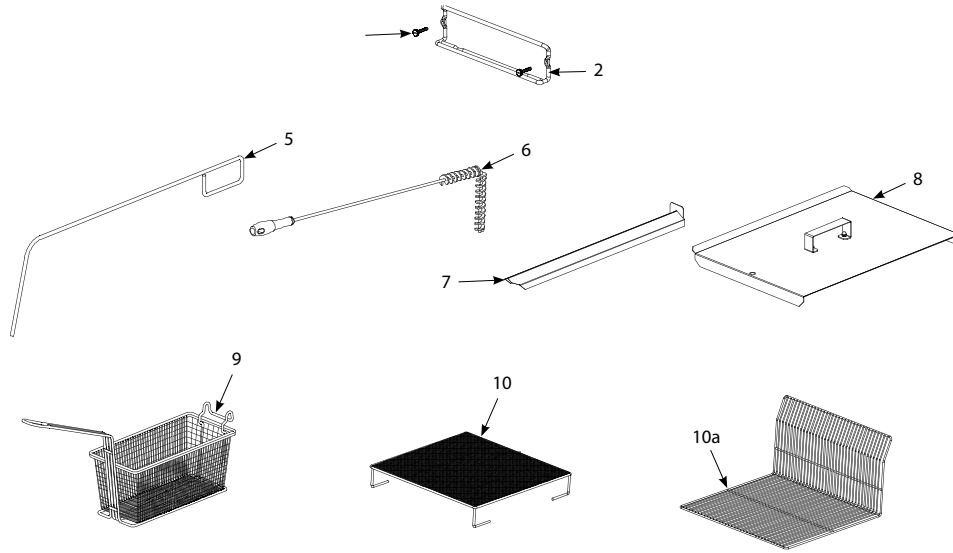


E4 SERIES RE80 (HPRE)

Accessories

Accessories



E4 SERIES RE80 (HPRE)

Accessories

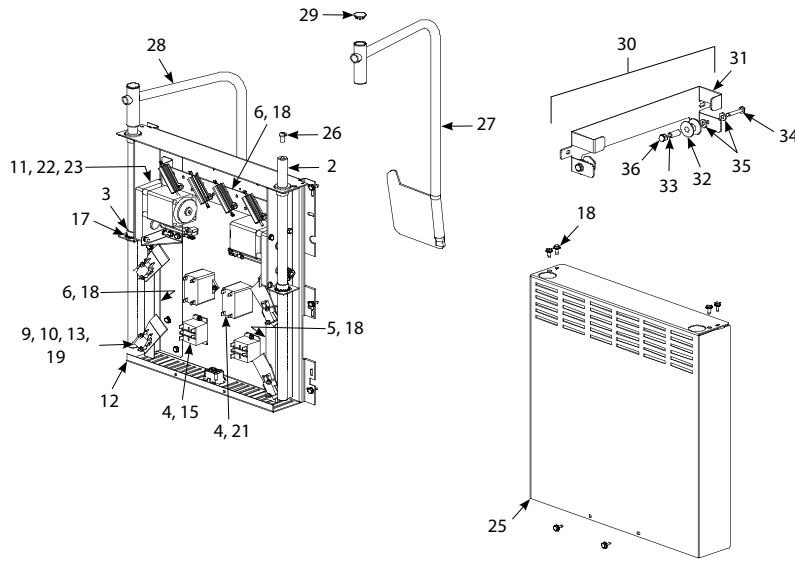
#	PART #	DESCRIPTION	QTY	Note
1	8090985	Thumbscrew, 0.25-20 x 1.125	1	
2	8102794	Basket Hanger	1	
2a	2304318	Basket Hanger, KFC	1	
3	8090941	Spacer, Basket Hanger	1	
4	8090905	Thumbscrew	1	
5	8030197	Fryer's Friend	1	
6	8030278	L-shaped Brush	1	
7	2304766	Joiner Strip, Standard	1	
7a	8237922	Joiner Strip, Church's/Popeye's	1	
7b	2309451	Joiner Strip, KFC India	1	
7c	2305382	Joiner Strip, Battering Strip	1	[1]
7d	8237100	Joiner Strip, Battering Strip	1	[2]
7e	8236341	Joiner Strip, Caster Battering Plate	1	
8	1080220	Frypot Cover	1	
8a	1080217	Frypot Cover, Church's	1	
9	8030304	Basket, Twin	1	
10	8030387	Grid, Basket Support	1	
10a	8103066	Grid, Basket Support, Church's	1	
11	8030293	Gloves, Neoprene	1	[3]
12	8030342	Filter Powder	1	[4]
13	8237109	Splash Guard, Standard	1	
13a	8237169	Splash Guard, Church's/Popeye's	1	

PART NOTES:

- [1] - Standard, 1 per 5-vat or 6-vat unit
- [2] - Church's, 1 per 5-vat or 6-vat unit
- [3] - pair
- [4] - 25 count box

E4 SERIES RE80 (HPRE)

Basket Lift Assembly and Associated Parts



Basket Lift Assembly and Associated Parts

E4 SERIES RE80 (HPRE)

Basket Lift Assembly and Associated Parts

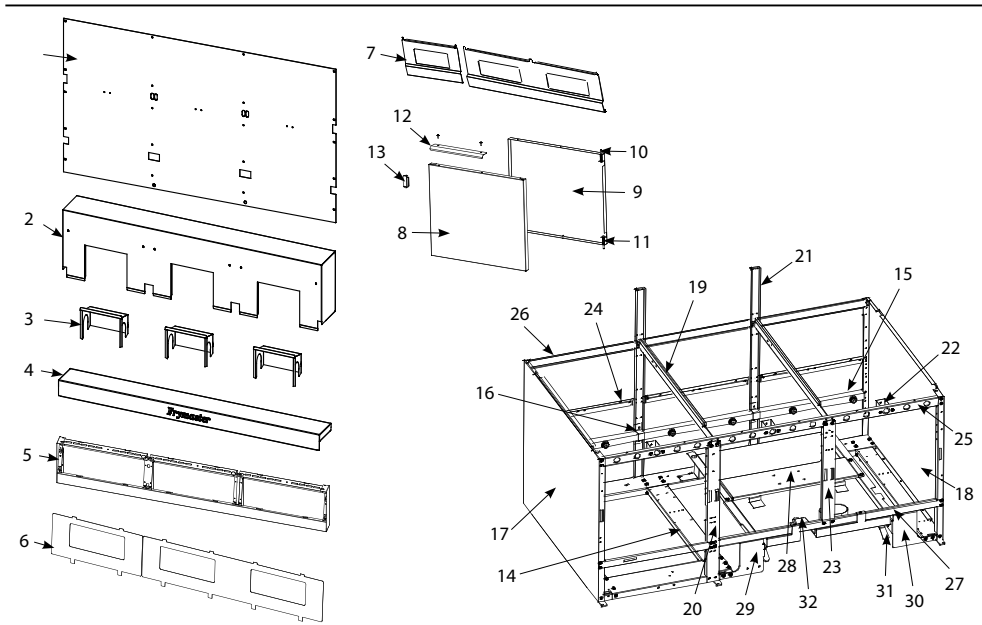
#	PART #	DESCRIPTION	QTY	Note
1	1063775	Basket Lift Assembly, 100-120VAC	1	
1a	1064147	Basket Lift Assembly, 208-220VAC	1	
1b	1064148	Basket Lift Assembly, 230-240VAC	1	
2	8101012	Rod, Basket Lift	1	
3	8130035	Bushing , Oiltite .640 I.D.	1	
4	8072513	Capacitor, 12.5 Fd 330VAC	1	
5	9018499	Chassis, Left Basket Lift	1	
6	9028499	Chassis, Right Basket Lift	1	
7	8070159	12-Pin Female	1	
8	9005529	Gusset, Basket Lift Motor	1	
9	8120442	Insulation, Microswitch	1	
10	8072572	Microswitch	1	
11	8065964SP	Motor Assy, 208-240VAC Modular Basket Lift	1	
12	2006455	Mount, Modular Basket Lift	1	
13	8261366	Nut, 4-40 Keps Hex	25	
14	8090247	Nut, 8-32 Keps Hex	1	
15	8071683	Relay, 12VDC Secondary Blower Fan to cool frypot	1	
16	8068530SP	Resistor Assy, 100-120V Modular Basket Lift	1	
16a	1062770SP	Resistor Assy, 208-220VAC Modular Basket Lift	1	
16b	1062771SP	Resistor Assy, 230-250VAC Modular Basket Lift	1	
17	8090082	Ring, Bushing Retainer	1	
18	8261374	Screw, 10 x 0.5-inch Hex Head	25	
19	8261359	Screw, 4-40 x 0.75-inch Slotted Round Head	25	
20	8261361	Screw, 2-32 X 1-inch Slotted Truss Head	25	
21	8261371	Screw, 8 x 0.5-inch Hex Head ZP	25	
22	8090503	Screw, 8-32 X 0.5-inch Slotted Truss Head	1	
23	8090186	Lock Washer w/External Teeth, #8	1	
24	WIR0166SP	Wire Bundle, 200-250VAC Basket Lift w/Relay	1	
25	2006454	Cover, Modular Basket Lift Rear	1	
26	8090127	Screw, 0.25-20 X 0.5-inch Slotted Round Head	1	
27	8237993	Arm, Left Basket Lift	1	
28	8237994	Arm, Right Basket Lift	1	
29	8100179	Button, Plug	1	
30	1080617	Roller Assembly, Basket Lift	1	
31	8237188	Bracket, Basket Lift Roller	1	
32	8100194	Roller, Basket Lift	1	
33	8100374	Spacer, Basket Lift Roller	1	
34	8090508	Bolt, 0.25-20 X 1.25 -Inch	1	
35	8090190	Washer, .625 X .275 X 40 Flat SS	1	
36	8090990	Nut, 0.25-20 Cap	1	
37	1082649	Wiring Harness, Basket Lift	1	
38	8241353	Basket Lift Drip Weldment, Right	1	
38a	8241351	Basket Lift Drip Weldment, Left	1	

Basket Lift Assembly and Associated Parts

E4 SERIES RE80 (HPRE)

Cabinetry and Associated Parts

Cabinetry and Associated Parts



E4 SERIES RE80 (HPRE)

Cabinetry and Associated Parts

#	PART #	DESCRIPTION	QTY	Note
1	2400189	Back, Cabinet, Standard, x1	1	
1a	2205034	Back, Cabinet, Standard, x2, x4 (2), x5 (1)	1	
1b	2205149	Back, Cabinet, Standard, x3, x5 (1), x6 (2)	1	
1c	2207582	Back, Cabinet, Single Filter Cabinet	1	
1d	2400190	Back, Cabinet, With Basket Lift	1	
1e	2209416	Back, Cabinet, KFC with Over the Top Filtration, x1	1	
1f	2400393	Back, Cabinet, KFC with Over the Top Filtration, x2, x4 (2), x5 (1)	1	
1g	2400392	Back, Cabinet, KFC with Over the Top Filtration, x3, x5 (1), x6 (2)	1	
1h	2205313	Back, Cabinet, Church's/Popeye's, x1	1	
1i	2205314	Back, Cabinet, Church's/Popeye's, x2, x5 (1), x4 (2)	1	
1j	2205315	Back, Cabinet, Church's/Popeye's, x3, x5 (1), x6 (2)	1	
2	8237019	Tilt Housing, x1	1	
2a	8236947	Tilt Housing, x2	1	
2b	8236874	Tilt Housing, x3	1	
2c	8237022	Tilt Housing, x4	1	
2d	8237014	KFC with Over the Top Filtration, x1	1	
2e	8236782	KFC with Over the Top Filtration, x2	1	
2f	8237133	KFC with Over the Top Filtration, x3	1	
2g	8237072	Church's/Popeye's, x1	1	
2h	8237073	Church's/Popeye's, x2, x5 (1)	1	
2i	8237074	Church's/Popeye's, x3, x5 (1), x6 (2)	1	
2j	8237075	Church's/Popeye's, x4	1	
3	8235440	Cove, Element Tilt Housing	1	
4	1083141	Top Cap, Frymaster, x1	1	
4a	1083142	Top Cap, Frymaster, x2, x5 (1)	1	
4b	1083143	Top Cap, Frymaster, x3, x5 (1), x6 (2)	1	
4c	1083144	Top Cap, Frymaster, x4	1	
4d	1080034	Top Cap, Dean, x1	1	
4e	1080040	Top Cap, Dean, x2, x5 (1)	1	
4f	1080042	Top Cap, Dean, x3, x5 (1), x6 (2)	1	
4g	1080036	Top Cap, Dean, x4	1	
4h	1083364	Top Cap, Church's/Popeye's, x1	1	
4i	1083365	Top Cap, Church's/Popeye's, x2, x5 (1)	1	
4j	1083366	Top Cap, Church's/Popeye's, x3, x5 (1), x6 (2)	1	
4k	1083367	Top Cap, Church's/Popeye's, x4	1	
5	1085134	Control Frame, Standard, Church's/Popeye's, x1	1	
5a	1085320	Control Frame, Standard, Church's/Popeye's, x2, x5 (1)	1	
5b	1085381	Control Frame, Standard, Church's/Popeye's, x3, x5 (1), x6 (2)	1	
5c	1085380	Control Frame, Standard, Church's/Popeye's, x4	1	
5d	1068427	Control Frame, FAST, x1	1	
5e	1067661	Control Frame, FAST, x2	1	
5f	1069789	Control Frame, FAST, x3	1	
6	2300489	Computer Bezel (Old Style), Standard, x1, x3 (1), x5 (1)	1	
6a	2108175	Computer Bezel (Old Style), Standard, x2, x3 (1), x4 (2), x5 (2), x6 (3)	1	

Cabinetry and Associated Parts

E4 SERIES RE80 (HPRE)

Cabinetry and Associated Parts

#	PART #	DESCRIPTION	QTY	Note
6b	2305478	Computer Bezel (Old Style), KFC, x1, x3 (1), x5 (1)	1	
6c	2305477	Computer Bezel (Old Style), KFC, x2, x3 (1), x4 (2), x5 (2), x6 (3)	1	
6d	2307720	Computer Bezel (Old Style), K3000, x1, x3 (1), x5 (1)	1	
6e	2307721	Computer Bezel (Old Style), K3000, x2, x3 (1), x4 (2), x5 (2), x6 (3)	1	
6f	2304771	With Switch Cut-out (1 per wand connection for Church's/Popeye's)	1	
7	2600406	Computer Bezel (New Unified Style), Standard, x1,	1	
7a	2600460	Computer Bezel (New Unified Style), Standard, x2, x4 (2), x5 (2),	1	
7b	2600502	Computer Bezel (New Unified Style), Standard, x3, x5 (1), x6 (3)	1	
7c	2600508	Computer Bezel (New Unified Style), Standard, x1	1	[1]
7d	2600510	Computer Bezel (New Unified Style), Standard, x2, x4 (2), x5 (2)	1	[1]
7e	2600512	Computer Bezel (New Unified Style), Standard, x3, x5 (1), x6 (3)	1	[1]
7f	2600507	Computer Bezel (New Unified Style), Standard, x1	1	[2]
7g	2600587	Computer Bezel (New Unified Style), Standard, x1, Spreader Blank	1	
7h	2305480	Computer Bezel (New Unified Style), KFC (FAST or F3000), x1, x2 (2), x3 (3), x4 (4), x5 (5), x6 (6)	1	
7i	2600410	Computer Bezel (New Unified Style), 3000 or KFC K3000, x1,	1	
7j	2600430	Computer Bezel (New Unified Style), 3000 or KFC K3000, x2, x4 (2), x5 (2),	1	
7k	2600503	Computer Bezel (New Unified Style), 3000 or KFC K3000, x3, x5 (1), x6 (3)	1	
7l	2600509	Computer Bezel (New Unified Style), 3000 or KFC K3000, x1	1	[1]
7m	2600511	Computer Bezel (New Unified Style), 3000 or KFC K3000, x2, x4 (2), x5 (2)	1	[3]
7n	2600513	Computer Bezel (New Unified Style), 3000 or KFC K3000, x3, x5 (1), x6 (3)	1	[3]
7o	1064309	Door, Left or Right BK60	1	
7p	1068511	Door, left or right	1	
8	2108075	Panel, Door, Outer	1	
8a	2303730	Panel, Door	1	[4]
9	2008076	Panel, Door, Inner	1	
10	1064067	Pin Assy, Door	1	
11	8100275	Spring, Door Pin	1	
12	2108077	Handle, Door, Chrome	1	
12a	8103335	Handle, Push-in	1	[4]
13	8102346	Magnet, Door	1	
14	1068224	Base Assembly, x1, Filter Cabinet	1	
14a	1066534	Base Assembly, x2, Filter Cabinet	1	
14b	1065622	Base Assembly, x6, Filter Cabinet	1	
14c	1064424	Base Assembly, x4, Filter Cabinet	1	
14d	1065622	Base Assembly, x6, Filter Cabinet	1	
14e	1065622	Base Assembly, x6, Filter Cabinet	1	
14f	1066643	Base Assembly, x1, Non-filter Cabinet	1	

Cabinetry and Associated Parts

E4 SERIES RE80 (HPRE)

Cabinetry and Associated Parts

#	PART #	DESCRIPTION	QTY	Note
14g	1066436	Base Assembly, x2, Non-filter Cabinet	1	
14h	1069425	Base Assembly, x3, Non-filter Cabinet	1	
15	8103118	Oil Return Manifold 260/460/665/63/218G	1	
15a	8103121	Oil Return Manifold 360/318G	1	
15b	8103120	Oil Return Manifold 460	1	
16	2202082	Strap, Manifold Brace (x2, x3)	1	
17	2314896	Cabinet Sides, Side, Stainless Steel, Left	1	
18	2324896	Cabinet Sides, Side, Stainless Steel, Right	1	
18a	2215073	Cabinet Sides, Side, Painted, Left	1	
18b	2225073	Cabinet Sides, Side, Painted, Right	1	
18c	2215170	Cabinet Sides, Side, Inner, Left	1	[5]
18d	2225170	Cabinet Sides, Side, Inner, Right	1	[5]
19	2205983	Divider	1	[6]
20	2205112	Post, Front	1	[7]
21	2202250	Post, Front	1	[8]
22	2205032	Post, Rear, Standard	1	
22a	2205210	Post, Rear, Church's/Popeye's	1	
23	2204937	Brace, Frypot Locating	1	
23a	2205979	Brace, Pump Motor Support	1	
23b	2205490	Mount, Contactor Box (x1)	1	
24	2204860	Bracket, Lower Spring	1	
25	2200274	Brace, Upper Cabinet, Rear, x1	1	
25a	2009590	Brace, Upper Cabinet, Front, x2, x5 (1)	1	
25b	2200608	Brace, Upper Cabinet, Front, x3, x5 (1), x6 (2)	1	
26	2200274	Brace, Upper Cabinet, Rear, x1	1	
26a	2201809	Brace, Upper Cabinet, Rear, x2, x3, x4, x5, x6	1	
27	2205267	Brace, Lower Cabinet, Front, x1	1	
27a	2204999	Brace, Lower Cabinet, Front, x2, x3 (1), x5 (1)	1	
27b	2008100	Brace, Lower Cabinet, Front, x3 (1), x4 (2), x5 (3), x6 (4)	1	
27c	2204570	Brace, Lower Cabinet, Rear, x2	1	
27d	2204569	Brace, Lower Cabinet, Rear, x3	1	
28	8241966	Bridge, Filter	1	
29	2212576	Rail, Left	1	
30	2222576	Rail, Right	1	
31	8233347	Frame, Slide Base	1	
32	8236450	Bracket, Disconnect	1	
33	8261115	Leg Assembly, Nickel Plated	1	
34	8261118	Caster, 5" Swivel w/Brake	1	
34a	8261117	Caster, 5" Swivel w/o Brake	1	
35	8260900	Kit, Chain Restraint	1	[9]

PART NOTES:

- [1] - With Switch Cut-out on right for Church's/Popeye's
- [2] - With Switch Cut-out on Left
- [3] - With Switch Cutout on right for Church's/Popeye's
- [4] - for KFC
- [5] - x5 and x6 units

Cabinetry and Associated Parts

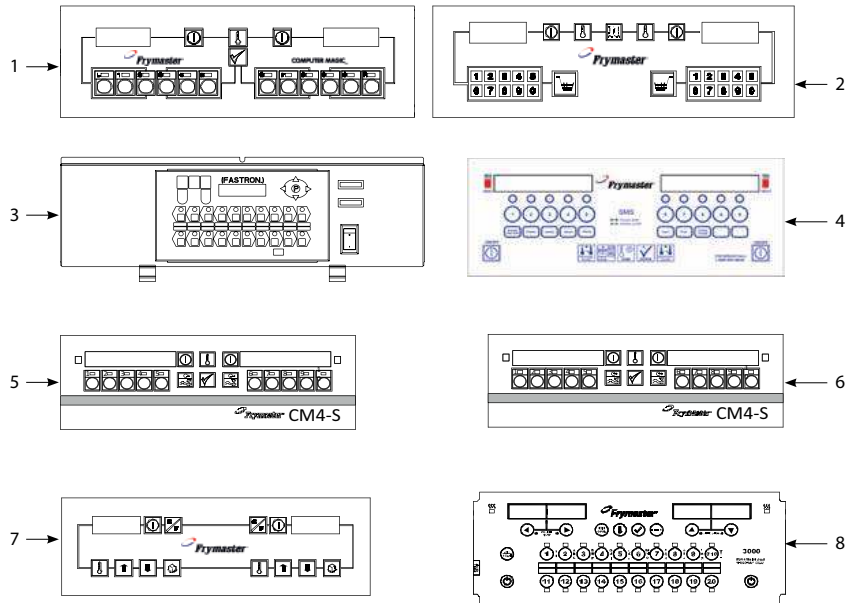
E4 SERIES RE80 (HPRE)

Cabinetry and Associated Parts

#	PART #	DESCRIPTION	QTY	Note
[6]	-	multi-vat units		
[7]	-	all x2, x4, x5, x6 units and x3 filter cabinet		
[8]	-	x3 non-filter cabinet		
[9]	-	required for all caster installations		

E4 SERIES RE80 (HPRE)

Controllers



E4 SERIES RE80 (HPRE)

Controllers

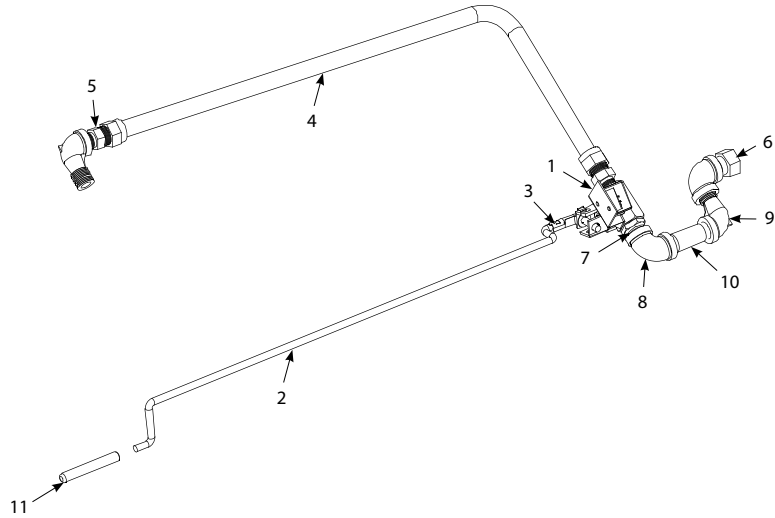
#	PART #	DESCRIPTION	QTY	Note
1	8262429	Computers, Computer Magic III.5, Full-Vat, non-CE	1	
1a	8262399	Digital Controller, Full-Vat (CE)	1	
2	8262401	Basket Lift Timer, Full-Vat (Non-CE)	1	
3	1080267	Computers, FAST Computer	1	
4	1064070	Computers, KFC-1 Computer	1	
5	1082297	Computers, Church's CM4S Computer	1	
6	1082296	Computers, Popeye's CM4S Computer	1	
7	8262329	Digital Controller, Full-Vat (Non-CE)	1	
8	8262762	Computers, K3000	1	
8a	8075354	Computers, K3000	1	[1]
8b	1083114SP	Computers, F3000	1	
9	1080485SP	K3000 Locator Harness, Position 1	1	[2]
9a	1080486SP	K3000 Locator Harness, Position 2	1	[3]
9b	1080487SP	K3000 Locator Harness, Position 3	1	[4]
9c	1080488SP	K3000 Locator Harness, Position 4	1	[5]
9d	1080489SP	K3000 Locator Harness, Position 5	1	[6]
9e	8022021	Graphic Sheet of Symbols	1	

PART NOTES:

- [1] - Menu Strip
- [2] - Fryer 1 position Far left fryer position
- [3] - Fryer 2 position from left to right
- [4] - Fryer 3 position from left to right
- [5] - Fryer 4 position from left to right
- [6] - Fryer 5 position from left to right

E4 SERIES RE80 (HPRE)

Drain Flush Plumbing



Drain Flush Plumbing

E4 SERIES RE80 (HPRE)

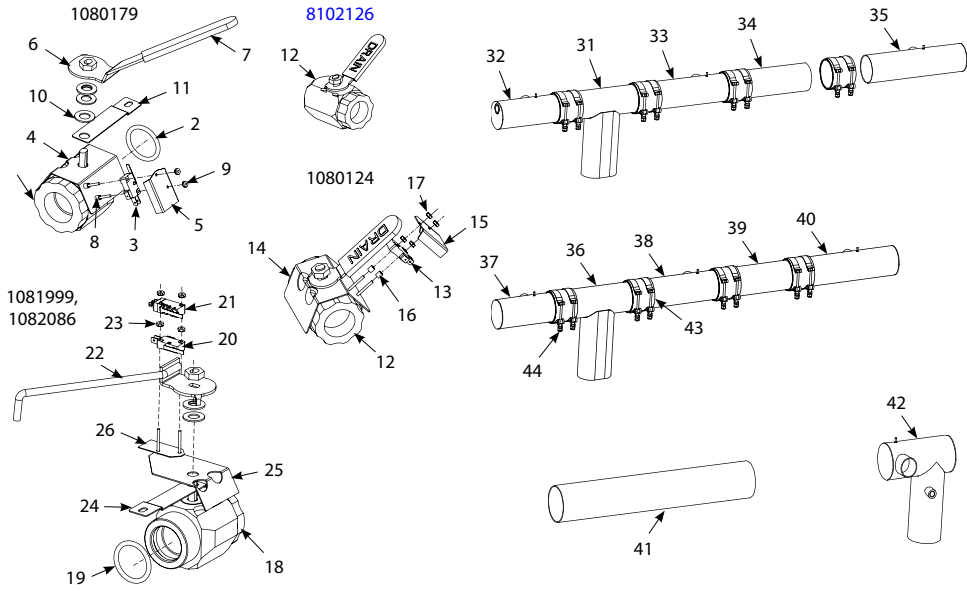
Drain Flush Plumbing

#	PART #	DESCRIPTION	QTY	Note
1	1064006	Valve, Flush	1	
2	2008929	Water Pump - 115V/60 Hz	1	
3	8090601	Clip, Clevis	1	
4	8101069	Flexline, 0.625" OD x 29.50" 3, 4 and 5 battery	1	
5	8101668	Adaptor, Male 0.625" OD x 0.5"	1	
6	8103160	Adaptor, 0.5 " NPT x 0.9375"	1	
7	8130022	Nipple, 0.5" Close NPT BM	1	
8	8130062	Elbow, 0.5" BM x 90°	1	
9	8130165	Elbow, 0.5-inch X 90° NPT Street	1	
10	8130460	Nipple, 0.5-inch X 3.0-inch NPT	1	
11	8160637	Cap, Vinyl Blue 0.3125-inch x 3.0"	1	
12	2204955	Handle Mount	1	
13	1069929	Wiring Harness, Drain Flush	1	

E4 SERIES RE80 (HPRE)

Drain System Components

Drain System Components



E4 SERIES RE80 (HPRE)

Drain System Components

#	PART #	DESCRIPTION	QTY	Note
1	8102783	Valve, 1.5" Full Port Drain	1	
2	8160544PK	Drain Valve (K3000), O-ring	5	
3	8072103	Microswitch	1	
4	1063745	Drain Valve (units equipped with filtration), Bracket, Drain Safety Switch	1	
5	2005694	Drain Valve (units equipped with filtration), Cover, Drain Safety Switch	1	
6	2107077	Drain Valve (units equipped with filtration), Handle	1	[1]
6a	2307413	Drain Valve (units equipped with filtration), Handle	1	[2]
7	8160405	Drain Valve (units equipped with filtration), Sleeve, Drain Handle, Red	1	
8	8090349	Spacer, 4mm X 6mm Aluminum	1	
9	8090237	Nut, 4-40 Keps Hex	1	[3]
10	8090988	Washer, 1.00 OD x .525 ID Teflon	1	
11	2006116	Strap, Round Drain Connecting	1	[2]
12	8102126	Valve, 1.25" Full Port Drain	1	
13	8072103	Microswitch	1	
14	1069017	Drain Valve (units NOT equipped with filtration), Bracket, Drain Safety Switch	1	
15	9012348	Cover, Dual-Vat Left Drain Safety Switch	1	
16	8090349	Spacer, 4mm X 6mm Aluminum	1	
17	8090237	Nut, 4-40 Keps Hex	1	[3]
18	8102783	Valve, 1.5" Full Port Drain	1	
19	8160544PK	Drain Valve (K3000), O-ring	5	
20	8072103	Microswitch	1	
21	8074936	Switch, Micro Gold Plated	1	
22	8237749	Drain Valve (K3000), Handle	1	
23	8090237	Nut, 4-40 Keps Hex	1	[3]
24	2006116	Strap, Round Drain Connecting	1	[2]
25	1082006	Drain Valve (K3000), Stud Assembly	1	
26	8160220	Insulation, Microswitch	1	
27	1069924	Drain Safety Harness	1	
27a	1060966	Drain Safety Harness, KFC1/CM4S	1	
27b	8075159	Harness, Drain FV	1	
30	1067718	Drain Jumper Harness	1	[4]
31	8122078	Drain Plumbing, Without Drain Flush, Downspout, Center	1	
32	8234681	Tube, 3" Right Drain, 50/60/80	1	[5]
33	8235188	Tube, 3" Filter Right, 50/60/80	1	
34	2009365	Tube, 3" Joiner, Drain Filter Right	1	[6]
35	8234844	Tube, 3" Left Drain	1	[5]
36	8122078	Drain Plumbing, Without Drain Flush, Downspout, Center	1	
37	8237016	Drain Plumbing, Without Drain Flush, Right, 8" Long	1	
38	8235188	Tube, 3" Filter Right, 50/60/80	1	
39	2009365	Tube, 3" Joiner, Drain Filter Right	1	[6]
40	8237015	Drain Plumbing, Without Drain Flush, Left, 12.5" Long	1	
40a	8234844	Tube, 3" Left Drain	1	[5]
41	2006615	Drain Plumbing, 9" Long	1	[6]
42	8122131	Drain Plumbing, Downspout, Multi-height	1	

Drain System Components

E4 SERIES RE80 (HPRE)

Drain System Components

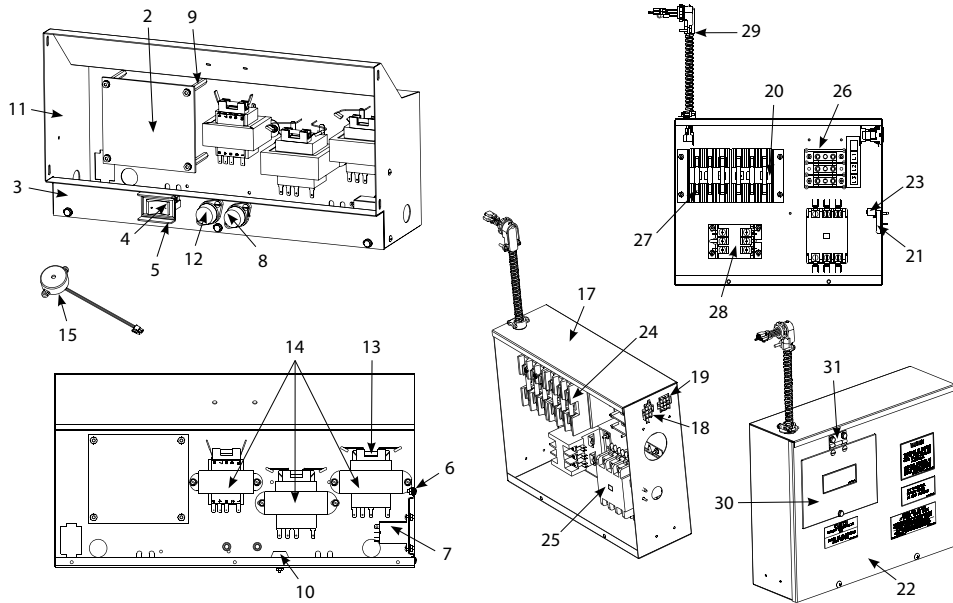
#	PART #	DESCRIPTION	QTY	Note
43	8160772	Sleeve	1	
44	8090969	Clamp 3"	1	
44a	8160665	Drain Plumbing, Vinyl Cap	1	
45	8121226	Drain Extension 1.25-inch	1	
45a	2205944	Drain Support	1	[7]

PART NOTES:

- [1] - multi-vat unit
- [2] - single unit
- [3] - with extended teeth
- [4] - for units with no float switch or drain switch
- [5] - with coupling
- [6] - no drain connection
- [7] - for spreader cabinets

E4 SERIES RE80 (HPRE)

Electronics and Wiring Components - Component Boxes and Contactor Boxes



RESOURCE NOTES:

Left and right contactor box assemblies are mirror images of one another. With the exception of the box itself, most components of a left-hand assembly are the same as those in the corresponding right-hand assembly and vice versa. The configuration illust

E4 SERIES RE80 (HPRE)

Electronics and Wiring Components - Component Boxes and Contactor Boxes

#	PART #	DESCRIPTION	QTY	Note
1	1069730	Component Box Assemblies (for reference), 208/240V, Filter	1	
1a	1069732	Component Box Assemblies (for reference), 208/240V, Non-filter	1	
1b	1080279	Component Box Assemblies (for reference), 220/230/240/250/415/400/430V, Filter	1	
1c	1080278	Component Box Assemblies (for reference), 220/230/240/250/415/400/415/430V, Non-filter	1	
1d	1084357	Component Box Assemblies (for reference), 240/415 KFC India, Filter	1	
1e	1080420	Component Box Assemblies (for reference), 480V, Filter	1	
1f	1080421	Component Box Assemblies (for reference), 480V, Non-filter	1	
1g	1080330	Component Box Assemblies (for reference), 480V, no switch, no basket lift	1	
2	1066666	Component Box Parts, Interface Board	1	
2a	1069930	Component Box Harness, Filter	1	
2b	1069965	Component Box Harness, Non-filter	1	
3	2204465	Component Box Parts, Panel, Switch	1	
4	2304346	Component Box Parts, Guard, Switch	1	
5	8074036	Switch	1	
6	2205805	Component Box Parts, Standoff, Relay, Filter	1	
7	8074114	Sound Device, FAST-Ready	1	
8	8070922	Holder, Bus Fuse	1	
8a	8074765	Component Box Harness, Control	1	
9	8090963	Component Box Parts, Standoff, 6-32, 0.25" x 2.00 NP	1	
10	8101164	Block, One-Piece Screwless Terminal	1	
11	8236745	Component Box Parts, Box, Component	1	
12	8072278	Fuse, 20 Amp	1	
13	8071597	Fuse, 3amp Slo-Blow	1	
14	8070979	Transformer, 208V/240V/12V	1	
14a	8070680	Transformer, 208V, 50/60Hz -24V 20VA	1	
14b	8072180	Transformer - 208-240V/24V 50A	1	
14c	8072191	Transformer, 208/230/240 -12V 30VA	1	
14d	8070800	Transformer, 100-120V/24V 50VA Filter and MIB	1	
14e	8070855	Transformer, 120V 50/60-12V 20VA	1	
14f	8073892	Transformer, 440/480 12/24V	1	
15	8103141	Sound Device, Universal SMT	1	
15a	1080273	Speaker, KFC(KFC-1, K3000 and F3000)	1	
16	1069967	Contactactor Box Assemblies (for reference only), 17 kW, 3-wire 208/240V and 21kW/480V,	1	
16a	1069966	Contactactor Box Assemblies (for reference only), 17 kW, 3-wire 208/240V and 21kW/480V,Right	1	
16b	1083522	Contactactor Box Assemblies (for reference only), 21kW, 3-wire 208/240 only, Left	1	
16c	1083523	Contactactor Box Assemblies (for reference only), 21kW, 3-wire, 208/240 only, Right	1	
16d	1080427	Contactactor Box Assemblies (for reference only), 17 kW, 4-wire, 208/240V and 21kW/480V,	1	
16e	1080426	Contactactor Box Assemblies (for reference only), 17 kW, 4-wire, 208/240V and 21kW/480V,Right, Std and India KFC	1	

Electronics and Wiring Components - Component Boxes and Contactor Boxes

E4 SERIES RE80 (HPRE)

Electronics and Wiring Components - Component Boxes and Contactor Boxes

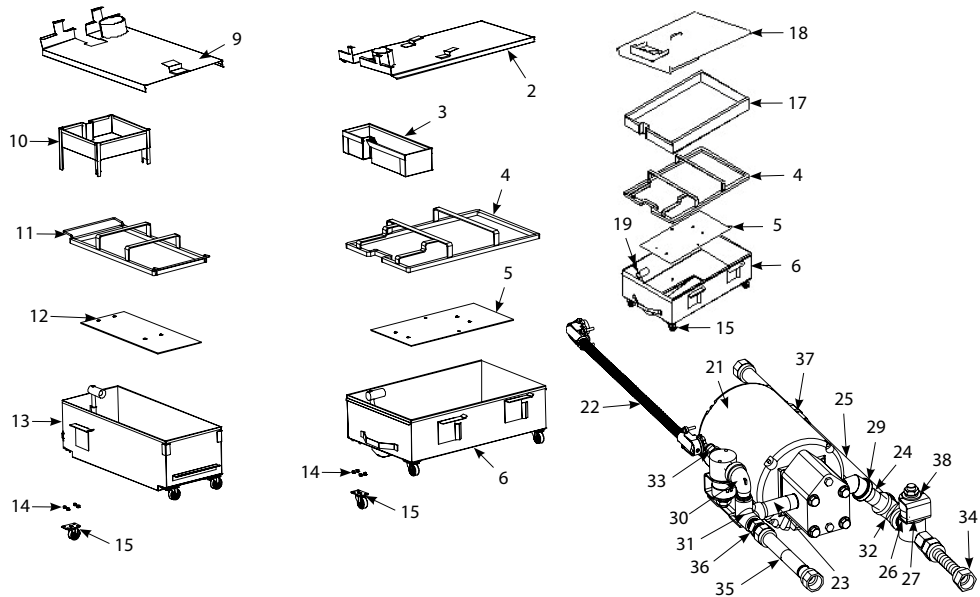
#	PART #	DESCRIPTION	QTY	Note
16f	1084358	Contactora Box Assemblies (for reference only), 17 kW, 4-wire, 208/240V and 21kW/480V,India KFC	1	
16g	1084800	Contactora Box Assemblies (for reference only), 17 kW, 4-wire, 220/380 only, Left – Export China Only	1	
16h	1084799	Contactora Box Assemblies (for reference only), 17 kW, 4-wire, 220/380 only, Right – Export China Only	1	
16i	1080037	Contactora Box Assemblies (for reference only), 21kW, 4-wire 208/240 only	1	
16j	1081861	Contactora Box Assemblies (for reference only), 17kW, Single, 208/240 only	1	
16k	1083521	Contactora Box Assemblies (for reference only), 21kW, Single, 208/240 only	1	
16l	1083526	Contactora Box Assemblies (for reference only), 21kW, 4-wire, Single, Export PBI	1	
17	1069601	Contactora Box Parts, Stud Assembly, Left Contactora Box	1	
17a	1069600	Contactora Box Parts, Stud Assembly, Right Contactora Box	1	
18	1069735	6-pin	1	
18a	1082439	Contactora Box Parts, Harness, 6-pin, PBI	1	
19	1069736	9-pin	1	
19a	1082440	Contactora Box Parts, Harness, 9-pin, PBI	1	
20	2006648	Contactora Box Parts, Bracket, Fuse Block	1	
21	2006809	Contactora Box Parts, Bracket, Ground Lug Holder	1	
22	2215553	Contactora Box Parts, Cover, 21kw Contactora Box	1	
22a	2205103	Contactora Box Parts, Cover, 17kw Contactora Box	1	
23	8070070	Terminal, Ground Lug	1	
24	8070501	Fuseholder block	1	
25	8072283	Contactora, 24V 63 Amp Mechanical	1	[1]
25a	8072284	Contactora, 24V 50 Amp Mechanical	1	[2]
25b	8101202	Contactora, 24V 40 Amp Mechanical	1	[2]
26	8073610	Power Block– 3-Phase (Delta)	1	
26a	8071268	Splicer, Terminal Block Single Pole	1	[3]
27	8074017	Fuse, 50 AMP 480VAC, 300VDC	1	
28	8101202	Contactora, 24V 40 Amp Mechanical	1	[2]
28a	8072284	Contactora, 24V 50 Amp Mechanical	1	[2]
29	1081786	Contactora Box Parts, Harness, Contactora Box	1	
30	2206545	Contactora Box Parts, Door, Fuse Access	1	
31	8100519	Hinge	1	
31a	2205484	Contactora Box Parts, Mount, Contactora Box	1	[4]

PART NOTES:

- [1] - 21kW
- [2] - 17kW
- [3] - 4-wire
- [4] - 2 per box

E4 SERIES RE80 (HPRE)

Filter Pan Assemblies and Filter Pump



E4 SERIES RE80 (HPRE)

Filter Pan Assemblies and Filter Pump

#	PART #	DESCRIPTION	QTY	Note
1	1067674SP	Filter Assembly, Multi-vat, Paper Filtration	1	
2	8236943	Lid, Filter Pan	1	
3	8236172	Basket, Crumb	1	
4	8103195	Ring, Hold-down	1	
5	1067330	Screen, Filter	1	
6	8237534	Pan, Filter	1	
7	1080253	Filter Assembly, Multi-vat, Screen Filtration	1	
7a	8236466	Crumb Basket	1	
7b	8102350	Magnesol Filter Screen, UFF 50 IHOP	1	
7c	8237112	Suction Tube	1	
7d	8102583	Fitting, Bottom- Filter Leaf	1	
7e	8102582	Fitting, Top- Filter Leaf	1	
7f	8237111	Filter Pan	1	
8	1068398	Filter Assembly, Single-vat, Paper Filtration	1	
9	8236508	Lid, Filter Pan	1	
10	8237386	Crumb Basket	1	
11	8103328	Hold-down Ring	1	
11a	8122195	Hold-down Ring	1	
11b	8030173	Filter Paper	1	
12	1081029	Sana Grid	1	
13	8237359	Filter Pan	1	
14	8090823	Nut, Nylock, 0.25-20	1	
15	8102805	Caster, 2" Filter Pan	1	
16	1082428	Filter Assembly, Multi-vat, Paper Filtration KFC India	1	
17	8237904	Basket, Crumb	1	
18	8238571	Retainer, FV Front Combustion Insulation	1	
19	8130568	Plug, 0.125" SS NPT, Sq-Head	1	
20	8261979	Filter Pan Roller Kit	1	[1]
21	8160093	Gasket, Pump/Motor	1	
21a	8262789	Pump, Viking 8 GPM Kit	1	
21b	8261264	Pump and Gasket Kit, Viking 4 GPM	1	
21c	8261712	Motor and Gasket Kit, 115V 50/60 Hz	1	
21d	8261756	Motor and Gasket Kit, 208V 50/60 Hz	1	
21e	8261270	Motor and Gasket Kit, 220-240V 50/60 Hz	1	
21f	8091020	Cap Screw, 0.3125"-18 5.50" NC Hex	1	
22	1069918	Filter Pump Harness	1	
23	8130265	Nipple, 0.5-inch x 2.50-inch NPT BM	1	
24	8130298	Nipple, 0.5" x 2.00" NPT BM Pipe	1	
25	8130698	Nipple, 0.5 x 10-0.5" NPT BM	1	
26	8130838	Nipple, 0.25-inch NPT BM Close	1	
27	8130304	Bushing, 0.5-inch NPT to 0.25-inch NPT Flush Reducing	1	
27a	8130763	Bushing, 0.75" NPT to 0.5" NPT	1	
28	8130889	Elbow, 0.5-inch 90° SS	1	
29	8130342	Elbow, 0.5-inch 45° Street	1	
30	8130165	Elbow, 0.5-inch X 90° NPT Street	1	
31	8130331	Elbow, V-Side Outlet 0.5" NPT	1	

Filter Pan Assemblies and Filter Pump

E4 SERIES RE80 (HPRE)

Filter Pan Assemblies and Filter Pump

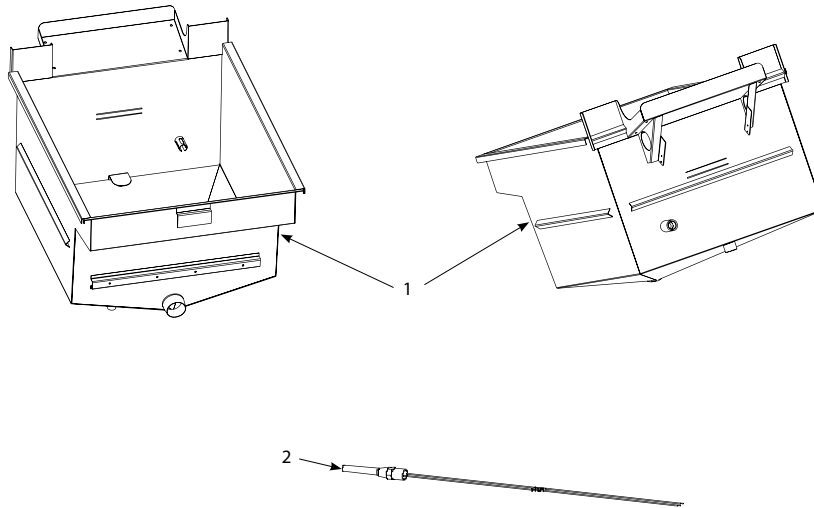
#	PART #	DESCRIPTION	QTY	Note
32	8130003	Snowflake Logo	1	
33	8103257	Fitting, 0.25" NPT, 0.375" OD	1	
34	8101339	Filter Suction Manifold, Flexline, 4.5"	1	
35	8101680	Flexline, 0.625" OD x 6.50"	1	
36	8101668	Adaptor, Male 0.625" OD x 0.5"	1	
37	8101669	Adaptor, Female 0.875-inch OD x 0.5-inch	1	
38	1063470	Valve, Solenoid 0.25-inch" NPT	1	[2]
39	8130436	Plug, 0.5" Counter Sink	1	

PART NOTES:

- [1] - includes 4 rollers, 4 nuts and 4 lock washers
- [2] - with Female Pins

E4 SERIES RE80 (HPRE)

Frypot Assemblies and Associated Parts



E4 SERIES RE80 (HPRE)

Frypot Assemblies and Associated Parts

#	PART #	DESCRIPTION	QTY	Note
1	8236935SP	Frypot Assembly, Frypot, Non-filter	1	
1a	8236721SP	Frypot Assembly, Frypot, Filter	1	
1b	8236936SP	Frypot Assembly, Frypot, Church's/Popeye's	1	
1c	8238423SP	Frypot Assembly, Frypot, KFC India	1	
2	8262456	Thermostat Assembly, High-Limit Long Standard, Non-CE Full Vat 435°F	1	
2a	8262455	Thermostat Assembly, High-Limit Long Standard, CE Full Vat 415°F	1	[1]
3	8160785	Side Insulation	1	
4	8160786	Center Insulation	1	
5	2217274	Heat Shield, Left	1	
5a	2227274	Heat Shield, Right	1	
6	2205464	Topcap Heat Shield, x1	1	
6a	2205460	Topcap Heat Shield, x2, x4 (2), x5 (1)	1	
6b	2205461	Topcap Heat Shield, x3, x5 (1), x6 (2)	1	
7	8237109	Splash Guard, Standard	1	
7a	8237169	Splash Guard, Church's/Popeye's	1	
8	1080213	Float Switch	1	

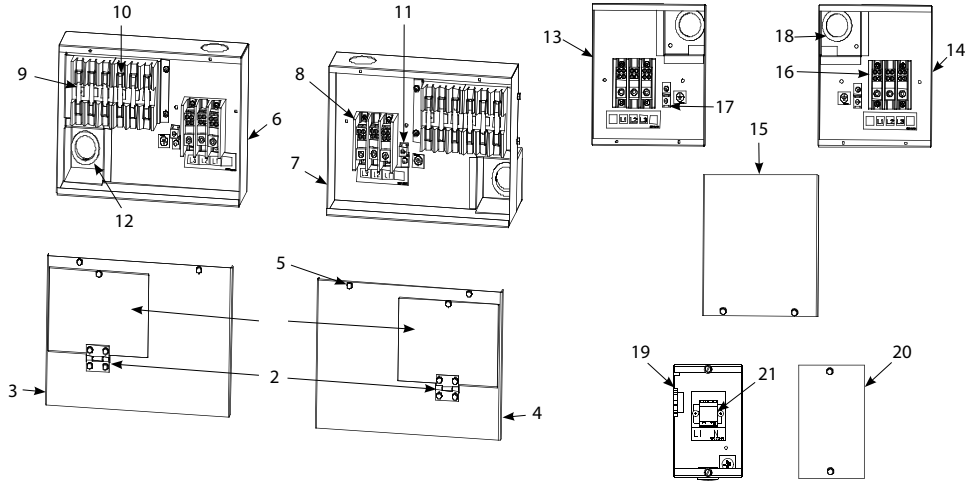
PART NOTES:

[1] - CE

E4 SERIES RE80 (HPRE)

Fuse Boxes and Terminal Blocks

Fuse Boxes and Terminal Blocks



E4 SERIES RE80 (HPRE)

Fuse Boxes and Terminal Blocks

#	PART #	DESCRIPTION	QTY	Note
1	2002334	Door	1	
2	8100519	Hinge	1	
3	2210523	Cover, LH Fuse Box	1	
4	2220523	Cover, RH Fuse Box	1	[1]
5	8090434	Screw, 10 x 0.375-inch Hex Washer Head NP	1	
6	8235585	Box, LH Fuse	1	
7	8235557	Box, RH Fuse	1	
7a	8235797	Box, Single Station Fryer Only	1	
8	8073970	Block, Terminal 3 pole 600V 175A	1	
9	8070501	Fuseholder block	1	
10	8072240	Fuse, 60 AMP 300VAC	1	
11	8070070	Terminal, Ground Lug	1	
12	8070128	Bushing, Insulating Heyco	1	
13	8235631	Box, LH Rear Terminal Block	1	
14	8235632	Box, RH Rear Terminal Block	1	
14a	8235797	Box, Single Station Fryer Only	1	
15	2200801	Cover, Rear Terminal Block Box	1	
16	8073970	Block, Terminal 3 pole 600V 175A	1	
17	8070070	Terminal, Ground Lug	1	
18	8070128	Bushing, Insulating Heyco	1	
19	8241378	Box, 120V Power Cord	1	
20	2008030	Cover, 120V Power Cord Box	1	
21	8101164	Block, One-Piece Screwless Terminal	1	
22	1085442	Box, Church's Cord Connect	1	
23	8074658	Domestic 208/240V	1	
23a	8073834	Power Cords, Cable, 3-Phase 4-Wire	1	
24	8073981	Export, Generic 220/250V, KFC Export India, CE Export	1	

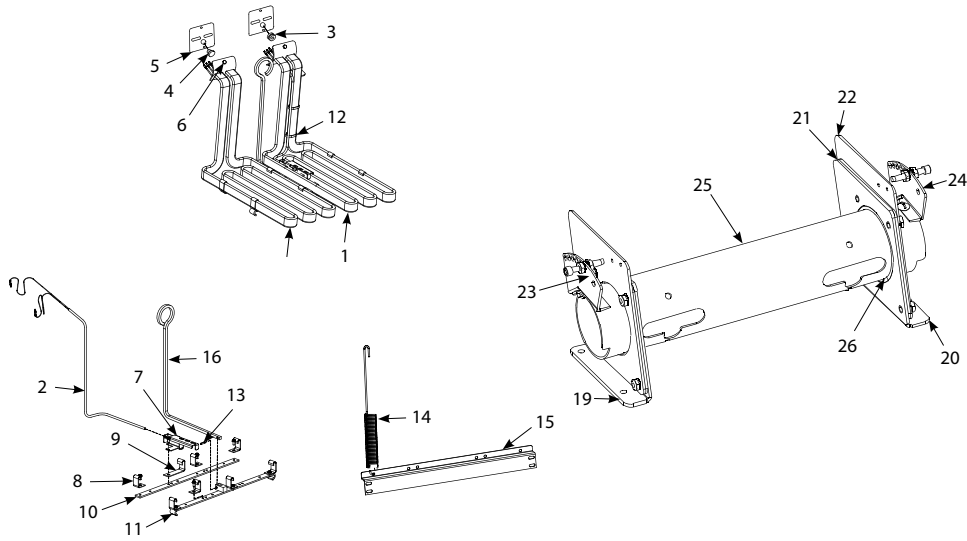
PART NOTES:

[1] - Used on Single Station Fryers also

E4 SERIES RE80 (HPRE)

Heating Element Assemblies and Associated Parts

Heating Element Assemblies and Associated Parts



Heating Element Assemblies and Associated Parts

E4 SERIES RE80 (HPRE)

Heating Element Assemblies and Associated Parts

#	PART #	DESCRIPTION	QTY	Note
1	1069757	Element Assemblies, 208V, 17kW	1	
1a	1069974	Element Assemblies, 208V, 21kW	1	
1b	1082702	Element Assemblies, 230V, 17kW	1	
1c	1082703	Element Assemblies, 230V, 21kW	1	
1d	1069961	Element Assemblies, 240V, 17kW	1	
1e	1069963	Element Assemblies, 240V, 21kW	1	
1f	1069962	Element Assemblies, 480V, 17kW	1	
1g	1069964	Element Assemblies, 480V, 21kW	1	
1h	8262929	Element, 208V/8.5kW	1	[1]
1i	8262930	Element, 208V/10.25kW	1	[2]
1j	8262935	Element, 230V/8.5kW	1	[1]
1k	8262936	Element, 230V/10.25kW	1	[2]
1l	8262931	Element, 240V/8.5kW	1	[1]
1m	8262932	Element, 240V/10.25kW	1	[2]
1n	8262933	Element, 480V/8.5kW	1	[1]
1o	8262934	Element, 480V/10.25kW	1	[2]
1p	8121794	Element Sleeving	1	
2	8262928	Temperature Probe, Standard Temp Probe Kit. Includes ty-wrap and grommet.	1	
2a	1080790	Temperature Probe, FAST Temp Probe	1	
2b	8090567	Tie-Wrap, Metal	1	
3	8160681	Grommet, Probe	1	
4	8160480	Plug, .375-inch Dome	1	
5	8160688	Gasket, Element	1	
6	8091003	Screw, 10-32 x 0.375-inch Hex Trim Head SS	1	
7	2305041	Bracket, Temperature Probe	1	
8	9102042	Clamp, Element	1	[3]
9	2300781	Key Operated Switch Ice With Keys	1	[4]
10	2304902	Support, Full-Vat Element Rear	1	
11	8236937	Support, Full-Vat Element Front	1	
12	8090567	Tie-Wrap, Metal	1	
13	8101212	Pin, .125 X .5-inch Split	1	
14	8103030	Spring, Element Lift Left	1	
14a	8103031	Spring, Element Lift Right	1	
15	2204860	Bracket, Lower Spring	1	
16	8102189	Handle, Element Lift	1	
17	1080317	Switch, Tilt Assy	1	
18	1067653SP	Tube Assembly Element, Full-Vat	1	
19	1080315	Bracket Assembly, LH Element Tube Support	1	
20	1080316	Bracket Assembly, RH Element Tube Support	1	
21	2200122	Plate, Element Tube Support Inner	1	
22	2200123	Plate, Element Tube Support Outer	1	
23	1067651	Bracket Assembly, LH Upper Spring	1	
24	1067652	Bracket Assembly, RH Upper Spring	1	
25	8102992	Tube, Full Vat Element Mounting	1	
26	8102993	Bushing, Tube End Teflon	1	
27	8090766	Nut, 10-32 Keps Hex SS	1	

Heating Element Assemblies and Associated Parts

E4 SERIES RE80 (HPRE)

Heating Element Assemblies and Associated Parts

#	PART #	DESCRIPTION	QTY	Note
28	1080317	Switch, Tilt Assy	1	
28a	8074742	Switch, Long Lever High Temp	1	

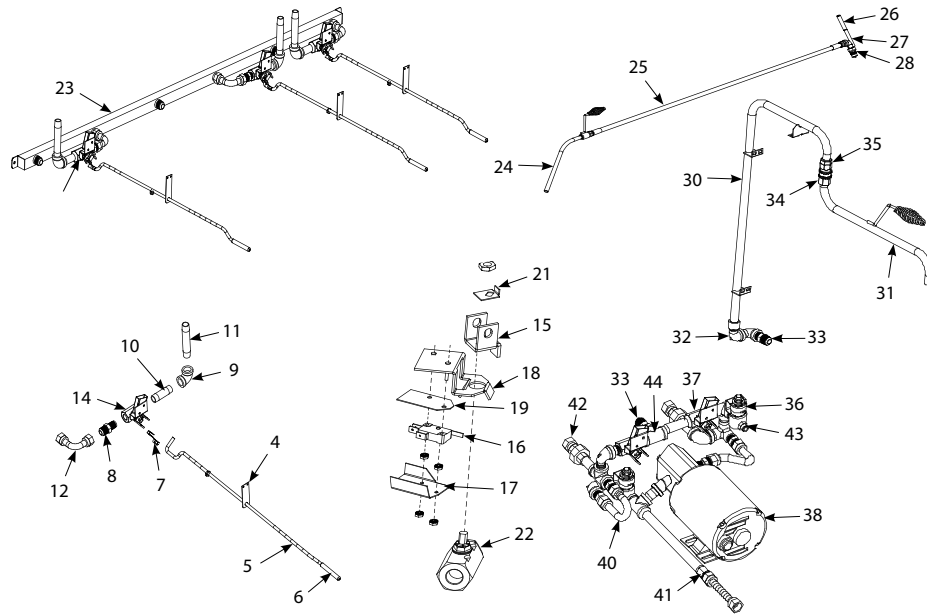
PART NOTES:

- [1] - for 17kW
- [2] - for 21kW
- [3] - Short
Short
- [4] - Long

E4 SERIES RE80 (HPRE)

Oil Return System Components KFC

Oil Return System Components (KFC)



Oil Return System Components KFC

E4 SERIES RE80 (HPRE)

Oil Return System Components KFC

#	PART #	DESCRIPTION	QTY	Note
1	1069711	Oil Return Plumbing Assembly, Left Assembly	1	
1a	1069712	Oil Return Plumbing Assembly, Right Assembly	1	
1b	1080717	Oil Return Plumbing Assembly, Single Assembly	1	
2	1069928	Oil Return Harness, Rear	1	
3	1064182	Jumper Harness	1	
4	2204955	Handle Mount	1	
5	2008929	Water Pump - 115V/60 Hz	1	
6	8160638	Cap, Vinyl Yellow 0.3125" x 3"	1	
6a	8160637	Cap, Vinyl Blue 0.3125-inch x 3.0"	1	
7	8090601	Clip, Clevis	1	
8	8101668	Adaptor, Male 0.625" OD x 0.5"	1	
9	8130062	Elbow, 0.5" BM x 90°	1	
9a	8130165	Elbow, 0.5-inch X 90° NPT Street	1	
10	8130265	Nipple, 0.5-inch x 2.50-inch NPT BM	1	
10a	8130087	Nipple, 0.5-inch NPT x 1.5-inch (3.8 cm)	1	
10b	8130247	Nipple, 0.5 x 3.5" NPT BM	1	
11	8130281	Nipple, 0.5-inch NPT x 5-inch (12.7 cm)	1	
12	8101067	Flexline, 0.625" OD x 8.50" Long Return Oil	1	
13	8130003	Snowflake Logo	1	
14	1064006	Valve, Flush	1	
15	9012772	Handle, Valve Rear Flush LT	1	
16	8072103	Microswitch	1	
17	2202459	Cover, Safety Switch 0.5"	1	
18	1063962	Bracket, 0.5" Switch Flush	1	
19	8160220	Insulation, Microswitch	1	
20	8261366	Nut, 4-40 Keps Hex	25	
21	9002935	Retainer, Nut Oil Return Valve	1	
22	8100278	Valve, 0.5" Ball	1	
23	8104191	Oil Return Manifold, x2	1	
23a	8104192	Oil Return Manifold, x3	1	
23b	8104232	Oil Return Manifold, x4, x6 (1) Church's	1	
23c	1080528	Wand Hose Assembly	1	
24	1061454	Nozzle Assembly, Hose with Handle	1	
25	8101434	Hose assembly	1	
26	8160631	Sleeve, Drain Valve Handle - Red	1	
27	8237153	Handle, Wash Down Hose	1	
28	8100487	Coupling, Male, Quick Disconnect	1	
29	1069693	Plumbing Assembly	1	
30	8103468	Tubing, Over the Top	1	
31	8102513	Tubing, Faucet Upper	1	
32	8130165	Elbow, 0.5-inch X 90° NPT Street	1	
33	8101668	Adaptor, Male 0.625" OD x 0.5"	1	
34	8102700	Nipple, Quick Disconnect, Snaptite	1	
35	8102699	Coupling, Quick Disconnect, Snaptite	1	
36	1063470	Valve, Solenoid 0.25-inch" NPT	1	
37	1064006	Valve, Flush	1	

Oil Return System Components KFC

E4 SERIES RE80 (HPRE)

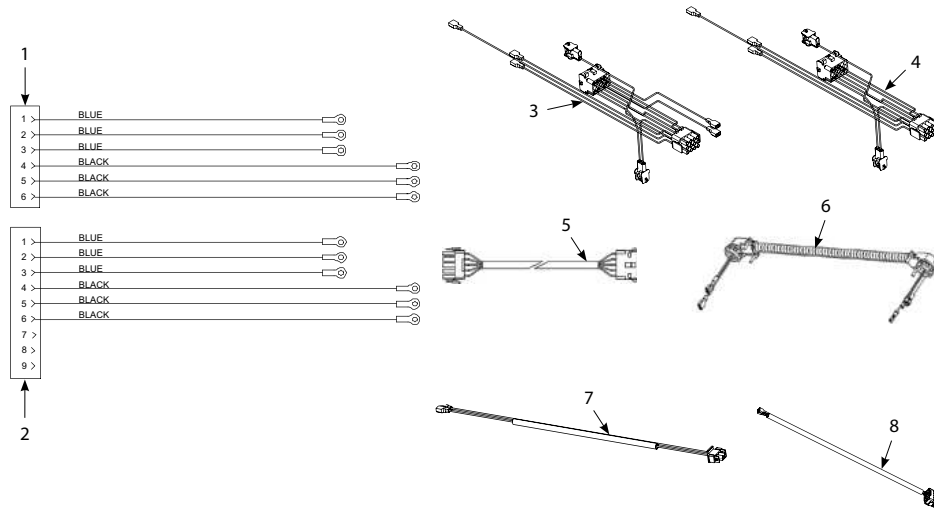
Oil Return System Components KFC

#	PART #	DESCRIPTION	QTY	Note
38	8261712	Motor and Gasket Kit, 115V 50/60 Hz	1	
39	8262789	Pump, Viking 8 GPM Kit	1	
40	8101159	Flexline, 5.0-inch Oil Return	1	
41	8101669	Adaptor, Female 0.875-inch OD x 0.5-inch	1	
42	8103160	Adaptor, 0.5 " NPT x 0.9375"	1	
43	8103257	Fitting, 0.25" NPT, 0.375" OD	1	
44	8130003	Snowflake Logo	1	
45	8104193	Oil Return Manifold, x1	1	
45a	8104191	Oil Return Manifold, x2	1	
45b	8104192	Oil Return Manifold, x3	1	

Oil Return System Components KFC

E4 SERIES RE80 (HPRE)

Wiring Assemblies



E4 SERIES RE80 (HPRE)

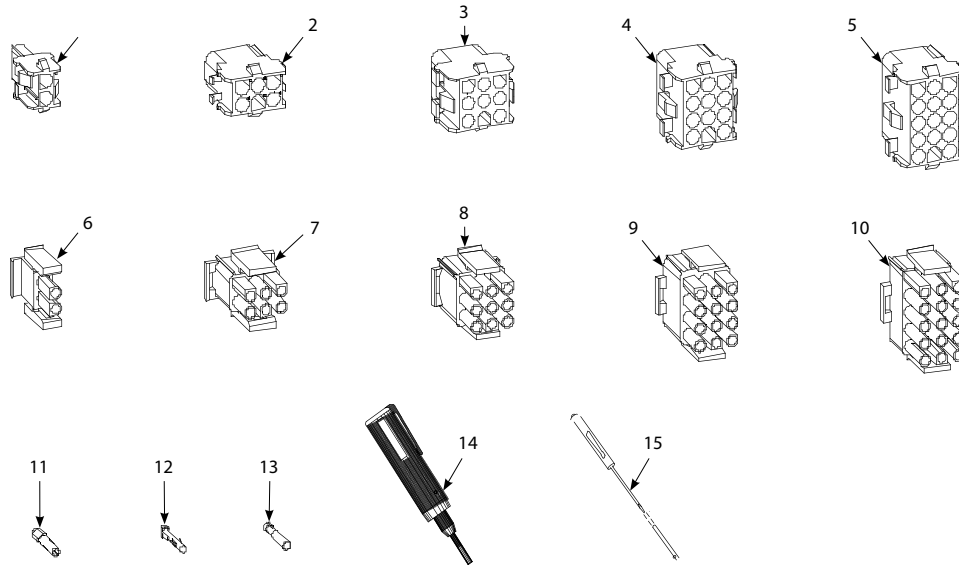
Wiring Assemblies

#	PART #	DESCRIPTION	QTY	Note
1	1069735	6-pin	1	
2	1069736	9-pin	1	
3	1069930	Component Box Harness, Filter	1	
4	1069965	Component Box Harness, Non-filter	1	
5	8074765	Component Box Harness, Control	1	
6	1069918	Filter Pump Harness	1	
7	1069924	Drain Safety Harness	1	
7a	1080255	Drain Safety Harness, KFC-1, CM4S, Popeye's and Church's	1	
7b	8075159	Harness, Drain FV	1	
7c	1067718	Drain Jumper Harness	1	
8	1069928	Oil Return Harness, Rear	1	

E4 SERIES RE80 (HPRE)

Wiring Connectors and Pin Connectors

Wiring Connectors and Pin Connectors



E4 SERIES RE80 (HPRE)

Wiring Connectors and Pin Connectors

#	PART #	DESCRIPTION	QTY	Note
1	8071068	2-Pin Female	1	
2	8070158	6-Pin Female	1	
3	8070156	9-Pin Female	1	
4	8070159	12-Pin Female	1	
5	8070875	15-Pin Female	1	
6	8071067	2-Pin Male	1	
7	8070157	6-Pin Male	1	
8	8070155	9-Pin Male	1	
9	8070160	12-Pin Male	1	
10	8070804	15-Pin Male	1	
11	8261341	Terminal, Female Split Pin	25	
12	8261342	Terminal, Male Split Pin	25	
13	8072518	Plug, Mate-N-Lock	1	[1]
14	8070928	Extract Tool Pin Pusher	1	
15	8064855	Pin Pusher Screwdriver Assy	1	
16	2302345	SMT Pin Extractor	1	
16a	8074660PK	SMT Pin Service Repair Kit	1	
17	8090429	Bolt, 0.25-inch – 20 x 2.00-inch Hex Head ZP Tap	1	
18	8090514	Capscrew, 0.3125-inch-18 NC Hex	1	
19	8090448	Clip, Tinnerman	1	
20	8261366	Nut, 4-40 Keps Hex	1	
20a	8090237	Nut, 4-40 Keps Hex	25	
20b	8261358	Nut, 6-32 Keps Hex	1	
20c	8090049	Nut, 6-32 Keps Hex	25	
20d	8090247	Nut, 8-32 Keps Hex	1	
20e	8261376	Nut, 10-32 Keps Hex	1	
20f	8090256	Nut, 10-32 Keps Hex	10	
20g	8090766	Nut, 10-32 Keps Hex SS	1	
20h	8090581	Nut, 0.5 NPT Locking	1	
20i	8090020	Nut Cap 10-24 NP	1	
20j	8261372	Nut Grip 0.25-inch 0.25-20 Hex NP	1	
20k	8090059	Nut Grip 0.25-inch 0.25-20 Hex NP	10	
20l	8090417	Nut Flange 0.25-inch 0.25-20 Serr	1	
20m	8090535	Nut, "T" 0.25-inch-20 x 0.4375 SS	1	[2]
20n	8090540	Nut, Lock 0.5-inch-13 Hex 2-Way ZP	1	
21	8261359	Screw, 4-40 x 0.75-inch Slotted Round Head	1	
21a	8090354	Screw, 4-40 x 0.75-inch Slotted Round Head	25	
21b	8261365	Screw, 6-32 x 0.375-inch Slot Head	1	
21c	8090095	Screw, 6-32 x 0.375-inch Slot Head	25	
21d	8090357	Screw, 6 x 0.375-inch Phillips Head NP	1	
21e	8090359	Screw, 8 x 0.25-inch Hex Washer Head	1	
21f	8090360	Screw, 8 x 0.375-inch Hex Washer Slot Head	1	
21g	8261371	Screw, 8 x 0.5-inch Hex Head ZP	1	
21h	8090361	Screw, 8 x 0.5-inch Hex Head ZP	25	
21i	8090364	Screw, 8 x 0.625-inch Hex Washer Head ZP	1	
21j	8090518	Screw, 8-32 x 0.375-inch Hex Washer Slotted Head SS	1	

Wiring Connectors and Pin Connectors

E4 SERIES RE80 (HPRE)

Wiring Connectors and Pin Connectors

#	PART #	DESCRIPTION	QTY	Note
21k	8090104	Screw, 8-32 x 0.5-inch Slotted Head ZP	1	
21l	8261363	Screw, 8-32 x 0.5-inch NP	1	
21m	8090103	Screw, 8-32 x 0.5-inch NP	25	
22	8261360	Screw, 10-24 x 0.3125-inch Round Slot Head ZP	1	
22a	8090024	Screw, 10-24 x 0.3125-inch Round Slot Head ZP	25	
22b	8261330	Screw, 10-32 x 0.375-inch Slot Head SS	1	
22c	8090117	Screw, 10-32 x 0.375-inch Slot Head SS	1	
22d	8091003	Screw, 10-32 x 0.375-inch Hex Trim Head SS	1	
22e	8261375	Screw, 10-32 x 0.75-inch Hex Trim Head SS	1	
22f	8090401	Screw, 10-32 x 0.75-inch Hex Trim Head SS	5	
22g	8091000	Screw, 10-32 x 1.25-inch Hex Sck C/S	1	
22h	8261374	Screw, 10 x 0.5-inch Hex Head	1	
22i	8090412	Screw, 10 x 0.5-inch Hex Head	25	
22j	8090266	Screw, 10 x 0.5-inch Phillips Head ZP	1	
22k	8090434	Screw, 10 x 0.375-inch Hex Washer Head NP	1	
22l	8090123	Screw, 10 x 0.75-inch Slot Head	1	
22m	8261389	Screw, 0.25-20 x 0.75-inch Hex Head ZP	1	
22n	8090131	Screw, 0.25-20 x 0.75-inch Hex Head ZP	10	
23	8090582	Washer 0.5 NPT Locking	1	
23a	8090184	Washer, #10 LK ZP	1	
23b	8090190	Washer, .625 X .275 X 40 Flat SS	1	
23c	8090191	Washer, Lock 0.25 Spring ZP	1	
23d	8090193	Washer, Flat 0.25 Nylon	1	
23e	8090194	Washer, Flat 0.3125 ZP	1	

PART NOTES:

- [1] - Dummy Pin
- [2] - for use on Cap-Nsplash assembly