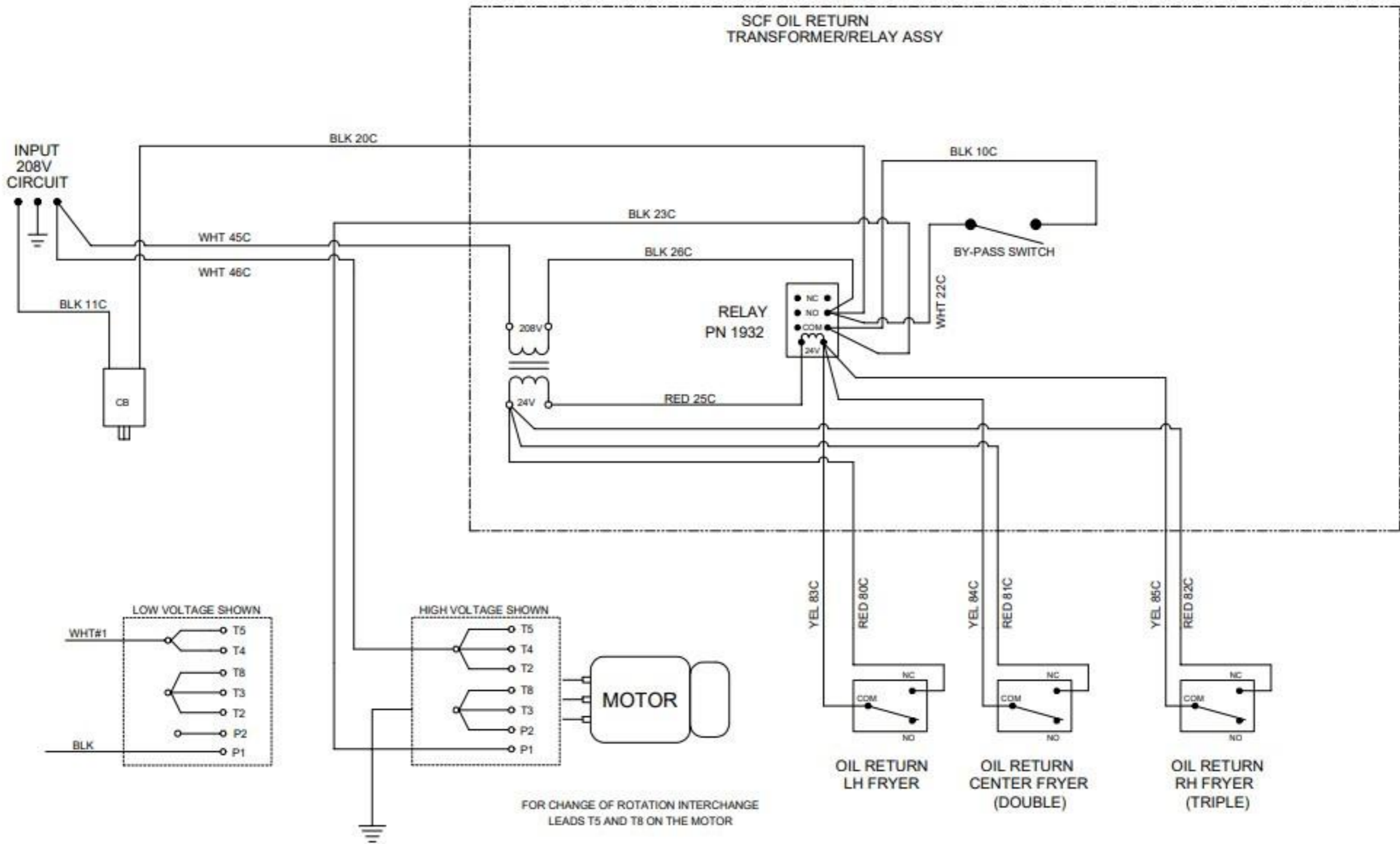


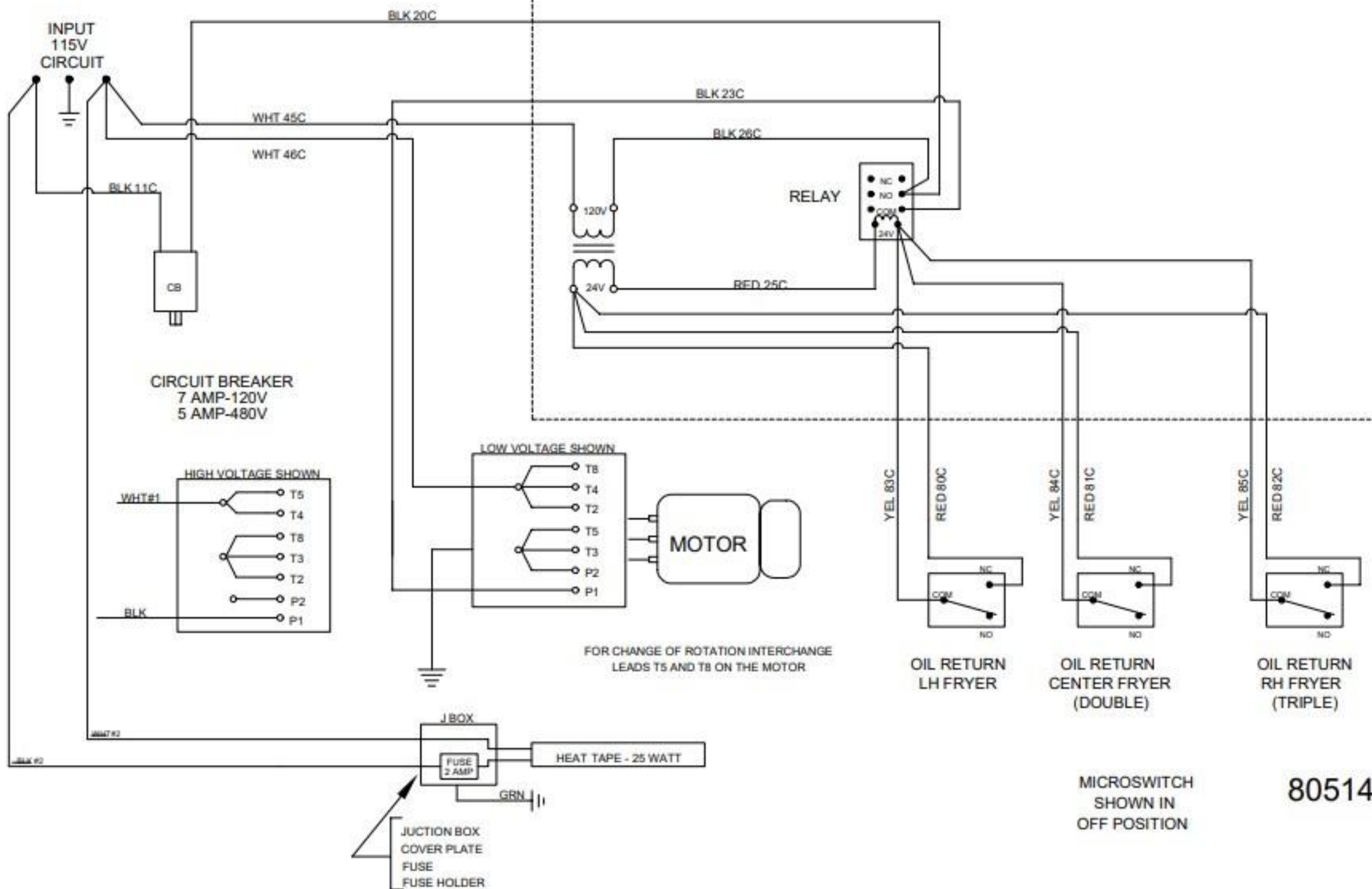
KSCFH18E FILTER CIRCUIT

8051366B

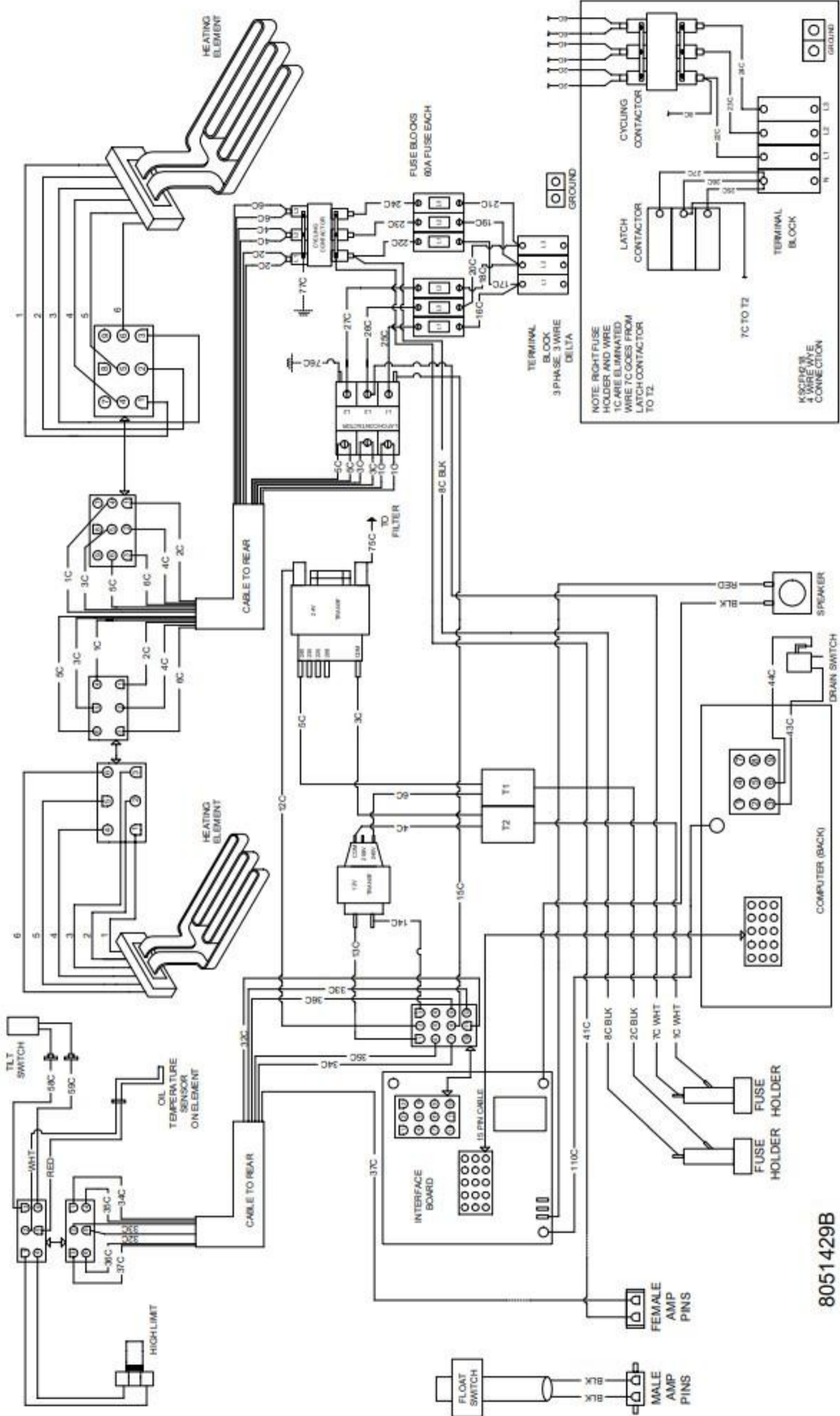


MICRO SWITCH SHOWN IN OFF POSITION

SCF OIL RETURN
TRANSFORMER/RELAY ASSY

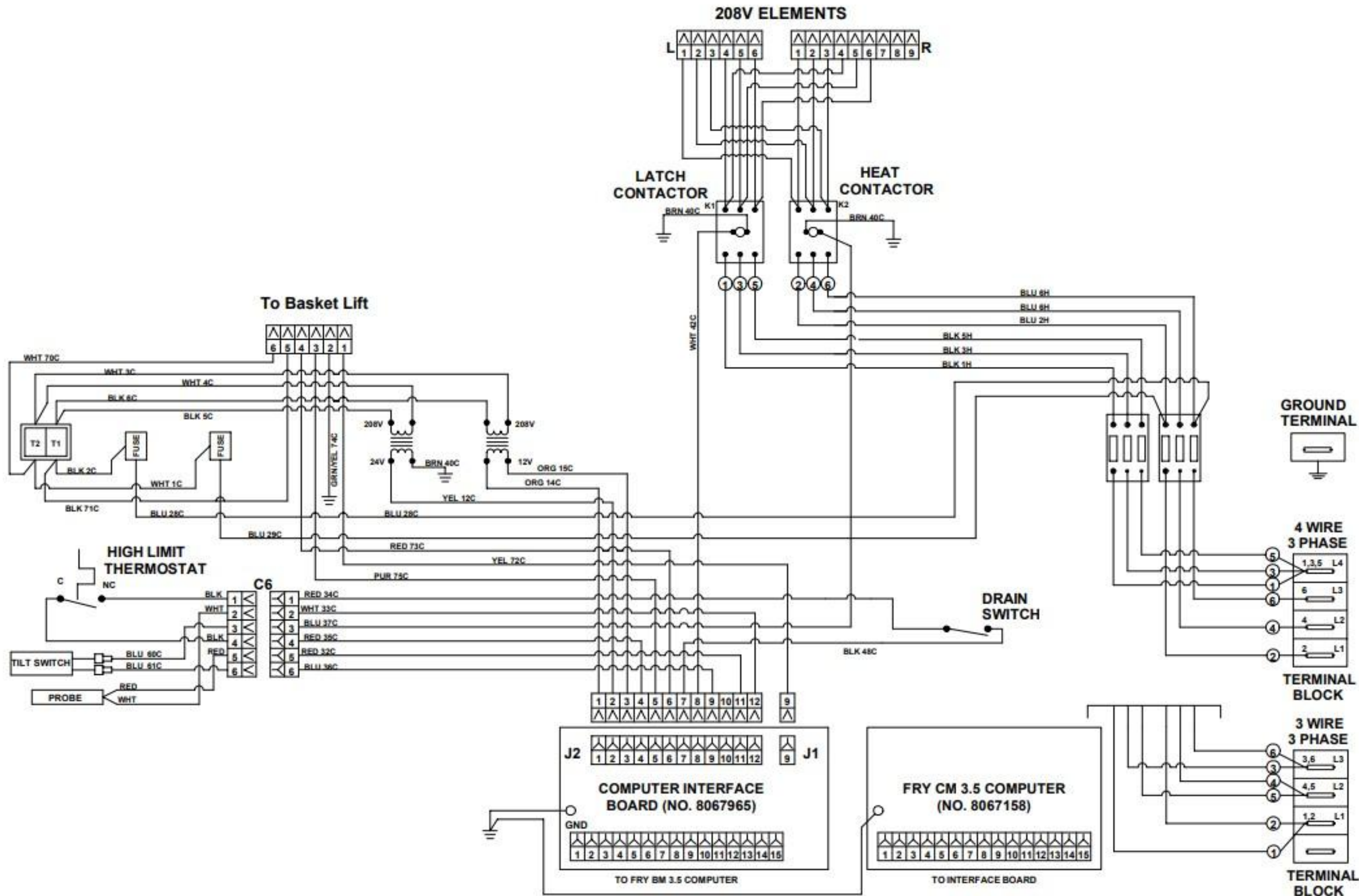


8051403F

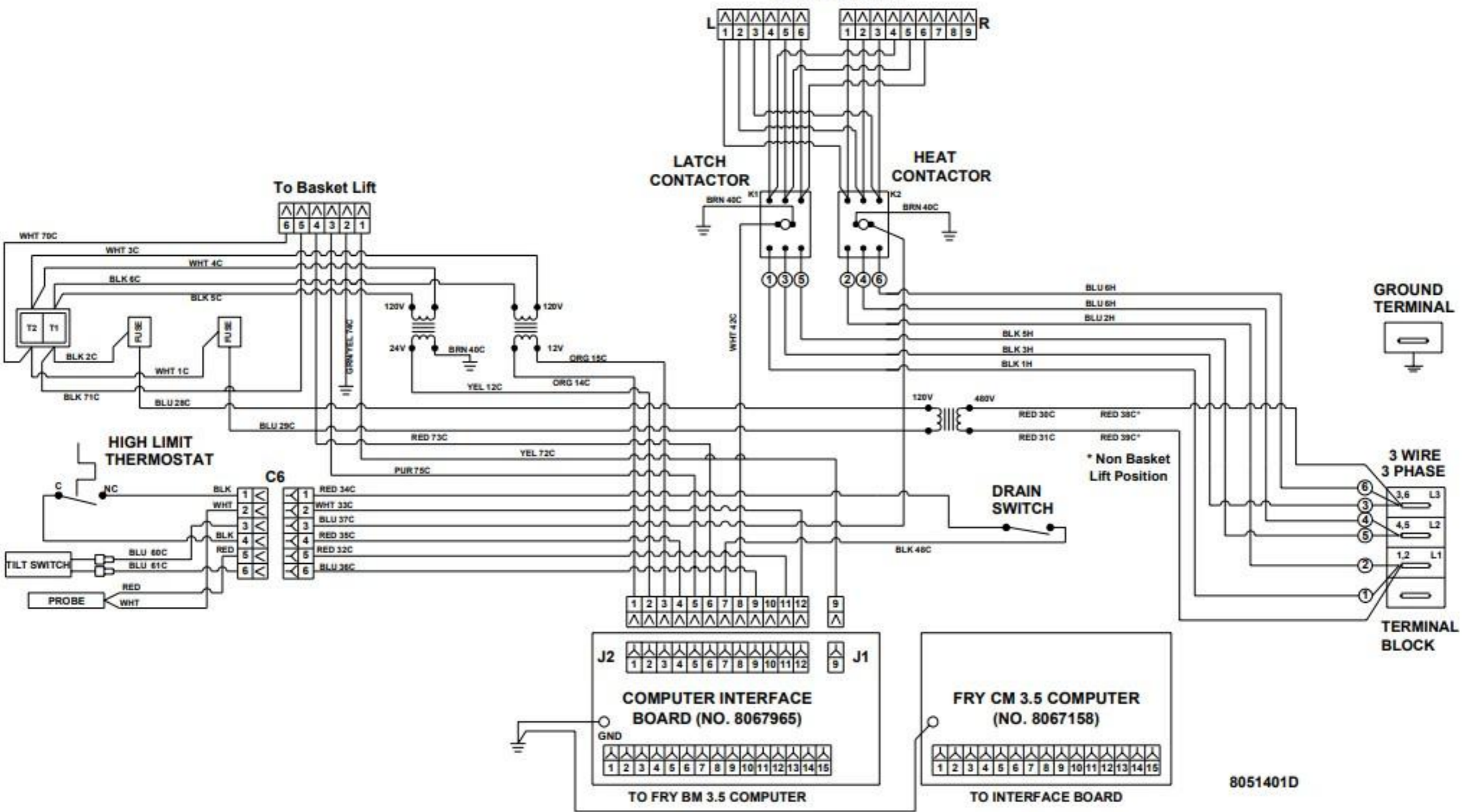


NOTE: RIGHT FUSE HOLDER AND WIRE 1C ARE ELIMINATED WIRE 7C GOES FROM LATCH CONTACTOR TO T2

8051429B



480V ELEMENTS



8051401D