

Frymaster®

We Fit the Way You Fry

BIEL14 Series Manual LOV™ Electric Fryer



Wiring Diagrams

This manual is updated as new information and models are released. Visit our website at www.frymaster.com for the latest manual. This equipment chapter is to be installed in the Fryer Section of the *Equipment Manual*.



Part Number: FRY_D_8197223 01/2024



 DANGER

Improper installation, adjustment, maintenance or service, and unauthorized alterations or modifications can cause property damage, injury, or death. Read the installation, operating, and service instructions thoroughly before installing or servicing this equipment.

 DANGER

This fryer has a power cord (three-phase) for each frypot and may have a single five-wire cord for the entire system. Prior to movement, testing, maintenance and any repair on your Frymaster fryer; disconnect ALL electrical power cords from the electrical power supply.

BIEL14 SERIES MANUAL LOV™ ELECTRIC FRYER

Table of Contents

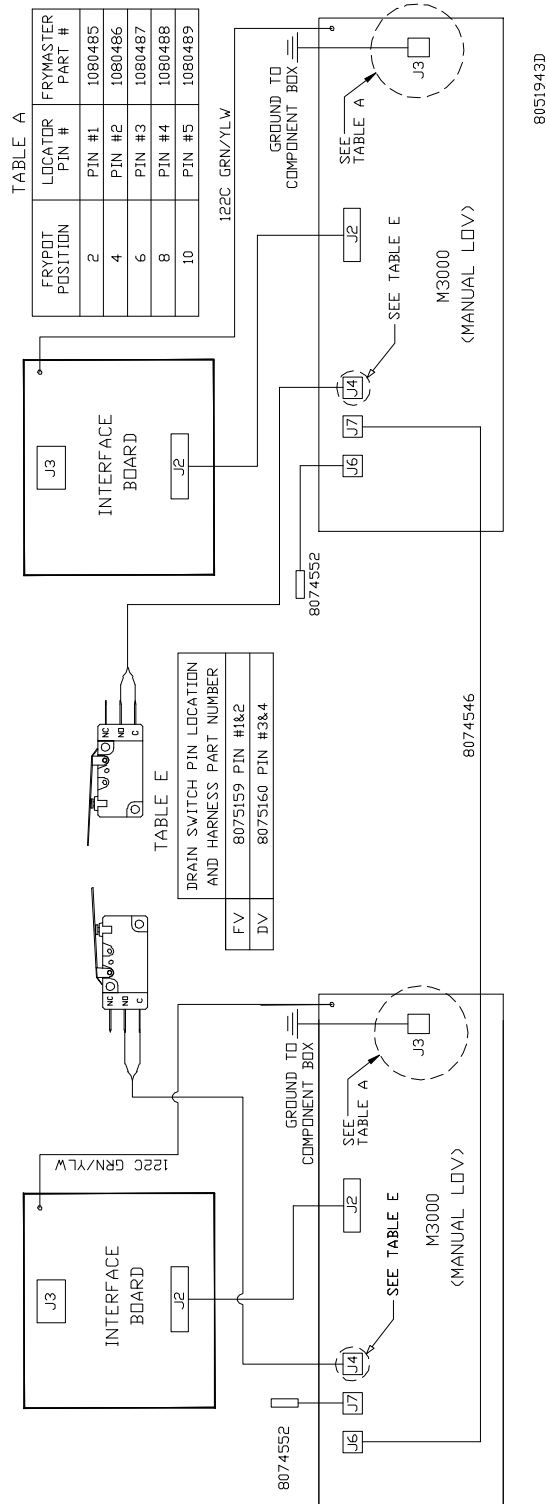
SECTION 1: Wiring Diagrams

1.1	BIEL14 Series Simplified Wiring with MLOV M3000	1-1
1.2	BIEL14 Series Simplified Wiring with MLOV M3000 with LON	1-2
1.3a	Component Wir. Manual LOV M3000 200V/208V-3USA/208V-120V/Export.....	1-3
1.3b	Component Wir. Manual LOV M3000 with LON	1-4
1.3c	Component Wir. Manual LOV M3000 208V/220-380V/230-400V/220/240-415V .	1-5
1.4	Contactor Box-Delta Configuration	1-6
1.5	Contactor Box-WYE Configuration.....	1-7
1.6	Solid Shortening	1-8
1.7	Single Component Wiring with Manual LOV M3000	1-9

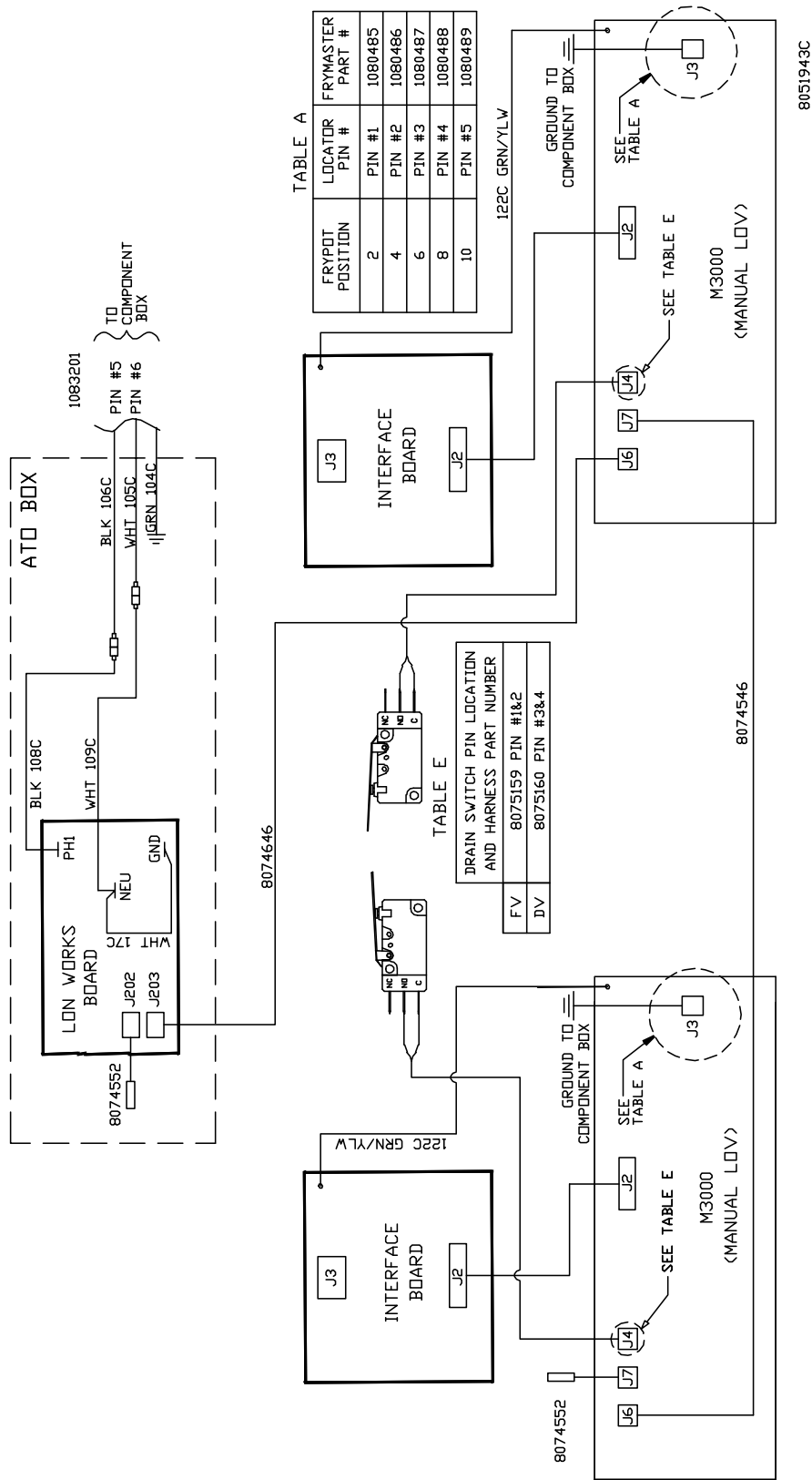
BIEL14 SERIES MANUAL LOV™ ELECTRIC FRYER

SECTION 1: WIRING DIAGRAMS

1.1 BIEL14 Series Simplified Wiring with MLOV M3000



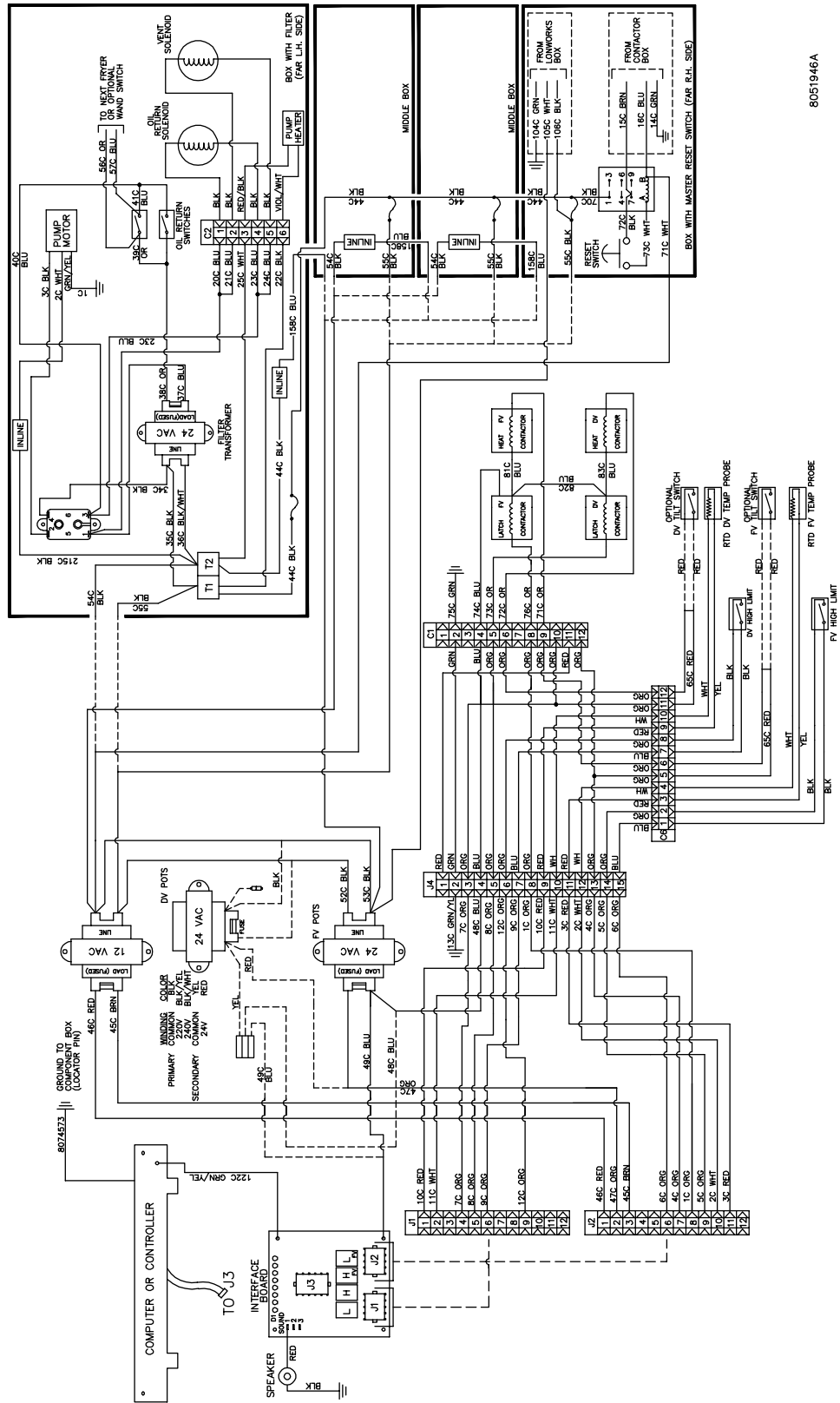
1.2 BIEL14 Series Simplified Wiring with Manual MLOV M3000 with LON



8051943C

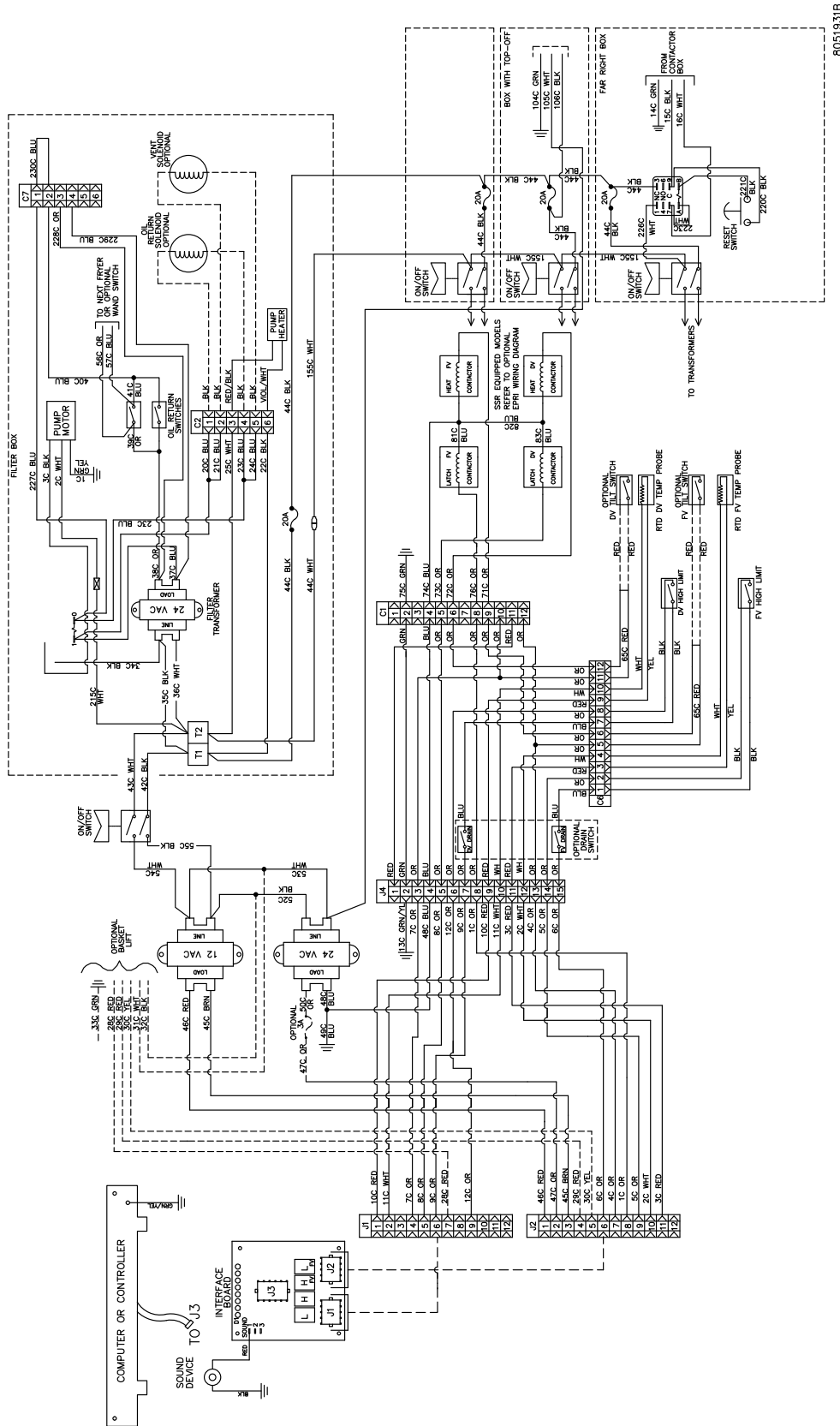
8074546

1.3b Component Wiring with Manual LOV M3000 controller with LON

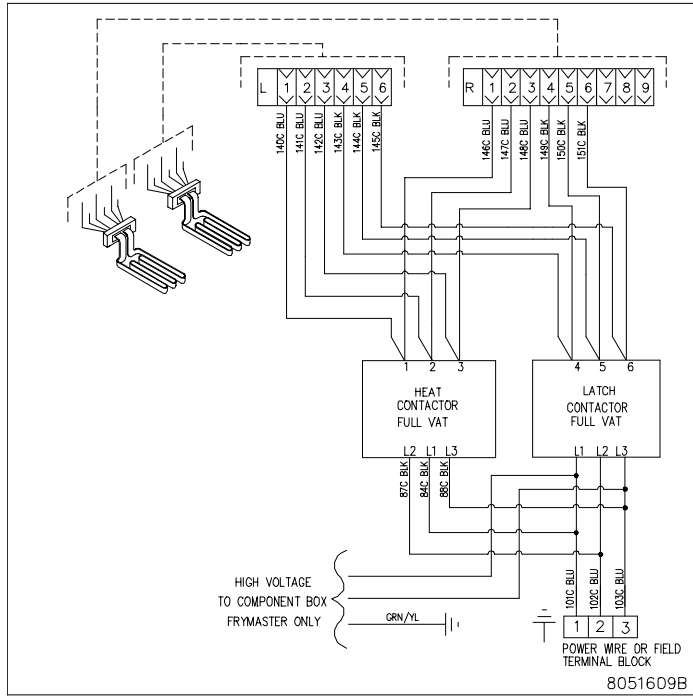


8051946A

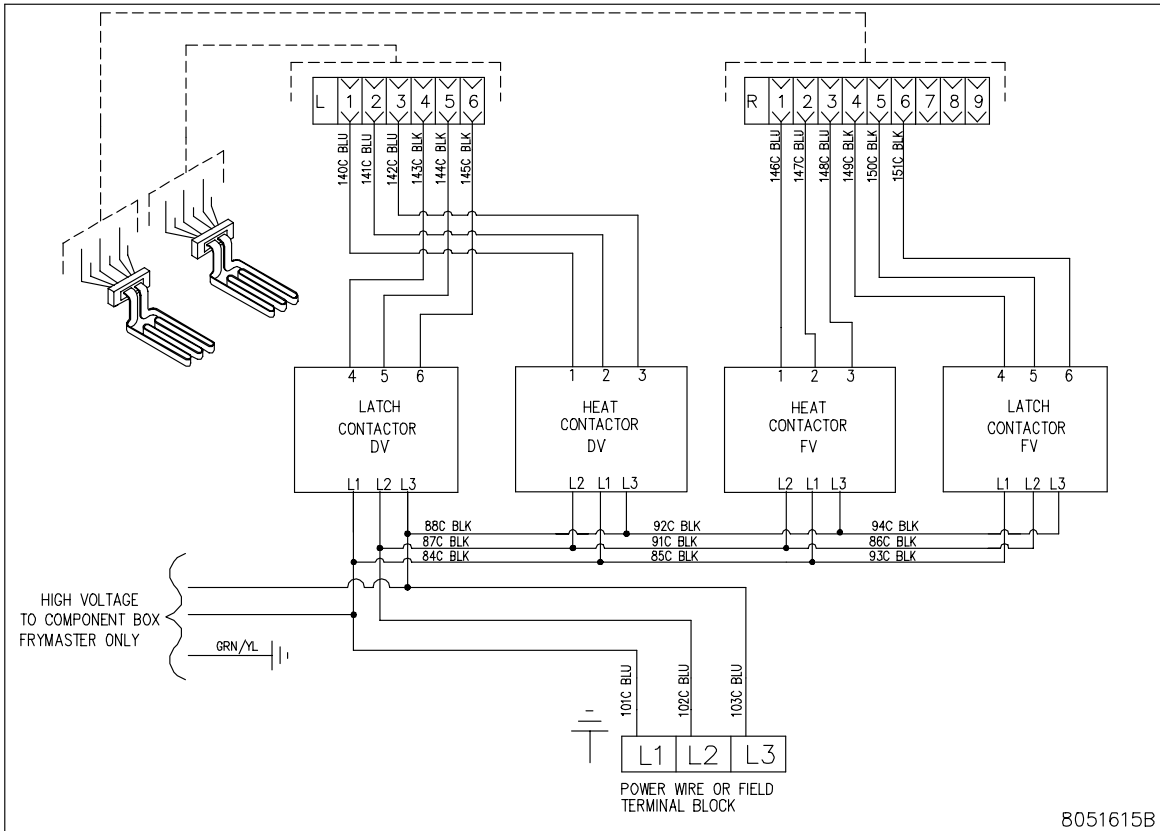
1.3c Component Wiring with Manual LOV M3000 Controller 208V/220V-380V/230V-400V/220V/240V-415V



1.4 Contactor Box – Delta Configuration

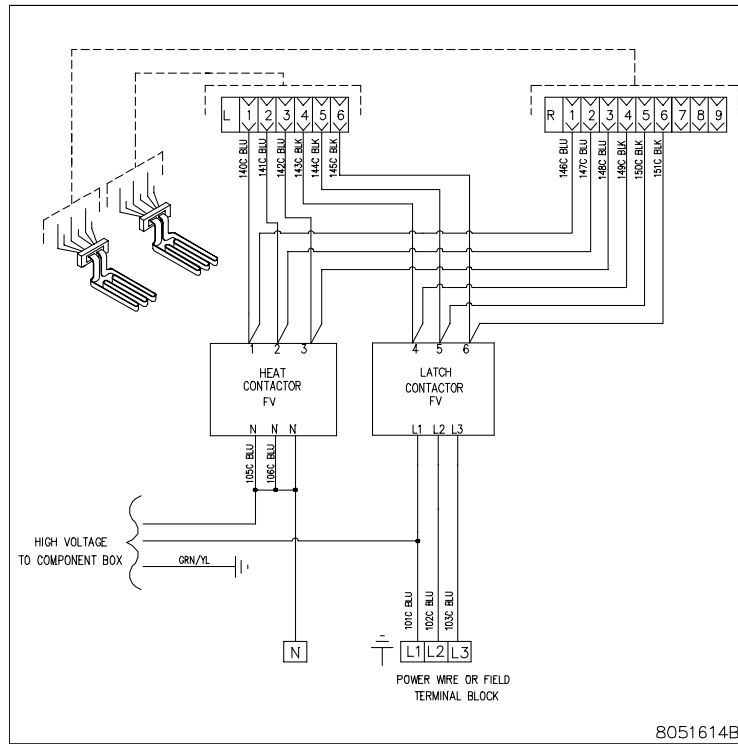


FULL VAT

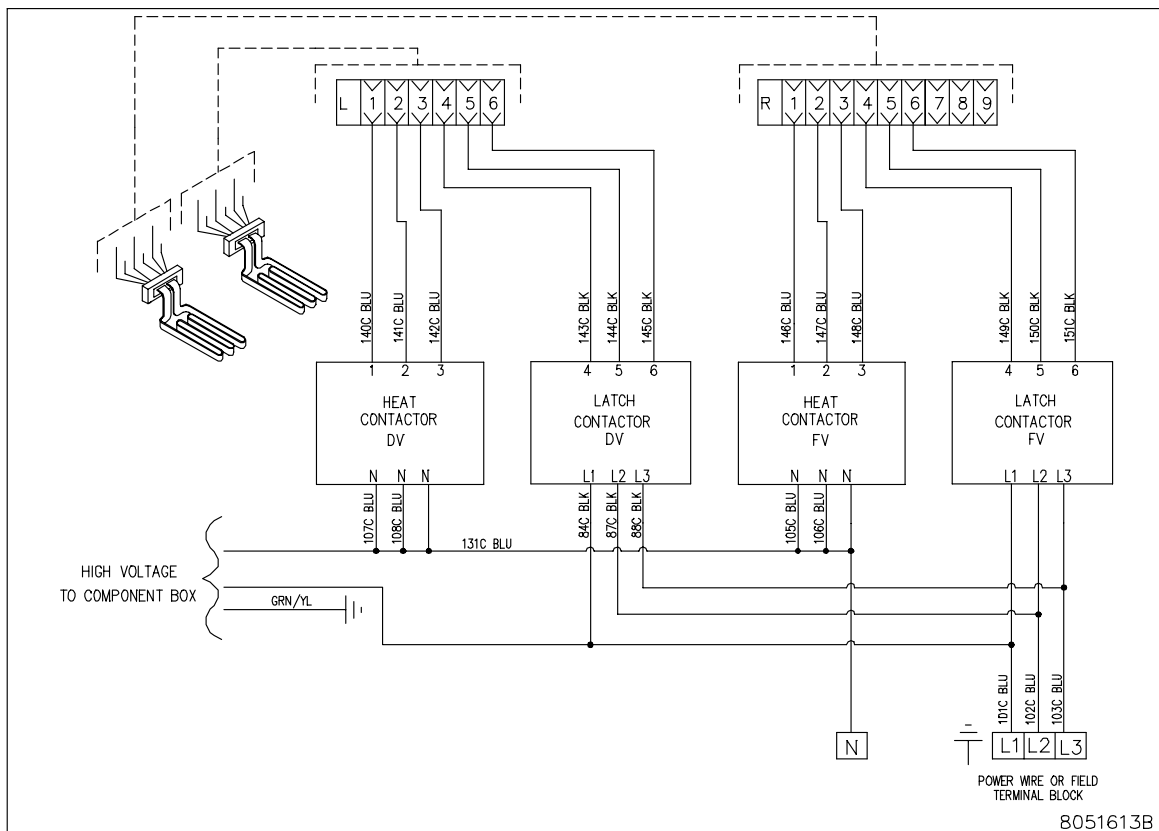


DUAL VAT

1.5 Contactor Box – WYE Configuration

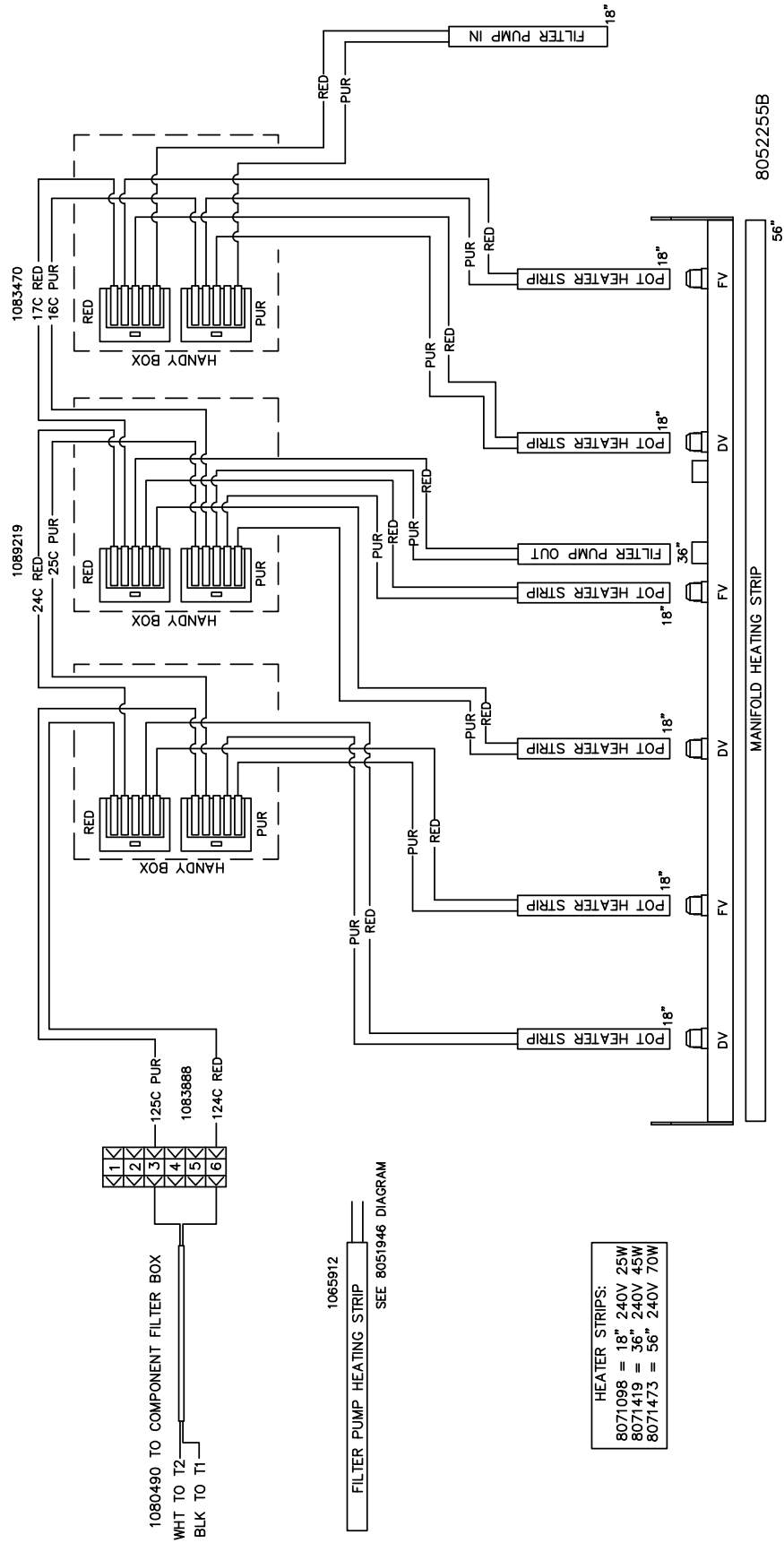


FULL VAT



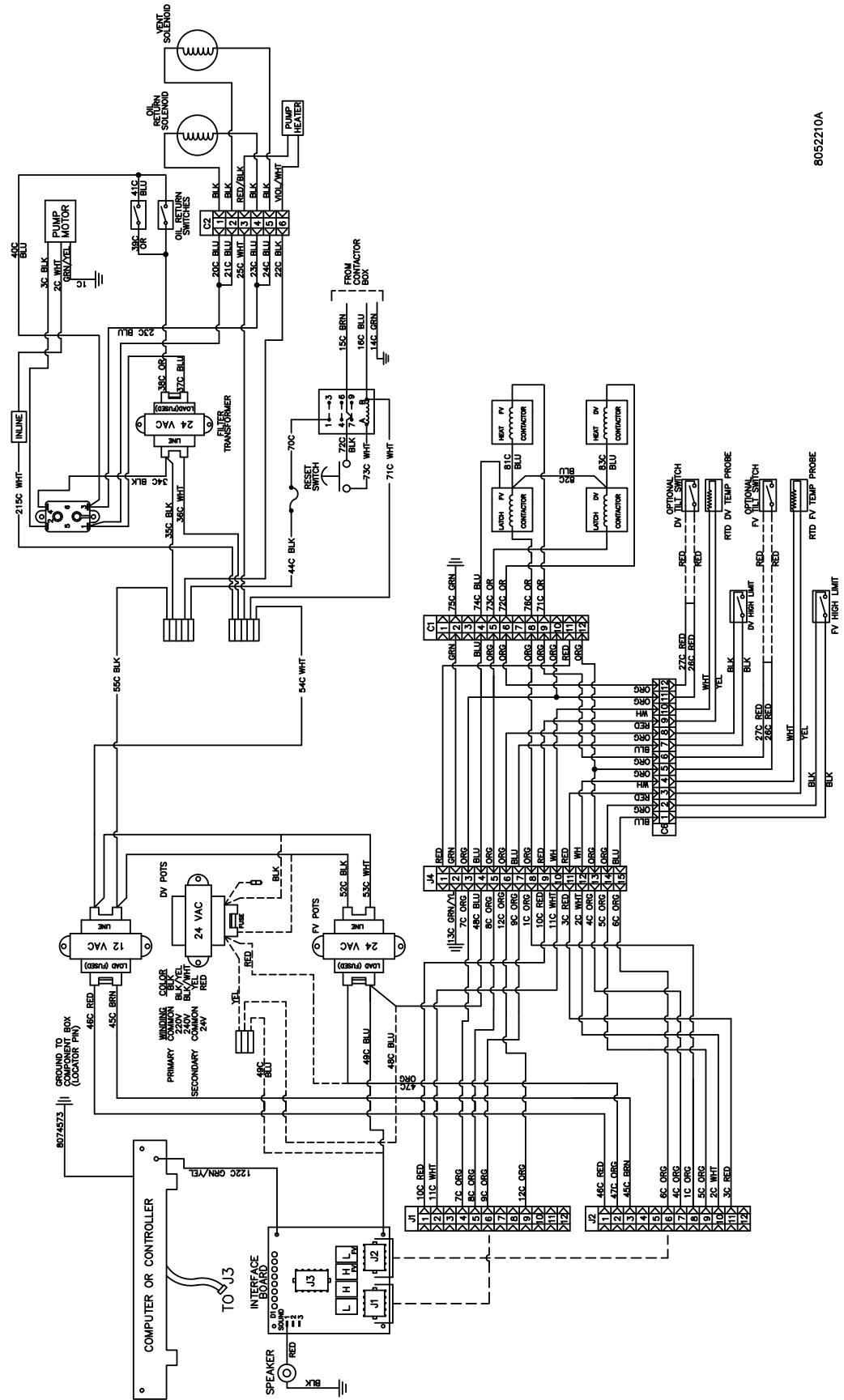
DUAL VAT

1.6 Solid Shortening



HEATER STRIPS:
8071098 = 18" 240V 25W
8071419 = 36" 240V 45W
8071473 = 56" 240V 70W

1.7 Single Component Wiring with Manual LOV M3000 controller



8052210A

Frymaster[®]

FRYMASTER
8700 LINE AVENUE, SHREVEPORT, LA 71106-6800

800-551-8633
318-865-1711
WWW.FRYMASTER.COM
EMAIL: FRYSERVICE@WELBILT.COM



Welbilt offers fully-integrated kitchen systems. Welbilt's portfolio of award-winning brands includes Cleveland™, Convotherm®, Crystal Tips®, Dean®, Delfield®, Fabristeel®, Frymaster®, Garland®, Inducs®, Koldtech®, Kolpak®, Lincoln®, McCann's™, Merco®, Merrychef®, Multiplex®, RDI®, SerVend™, SunFire®, U.S. Range™, and WMaxx™. Supported by service brands: FitKitchen®, kitchen systems; and KitchenConnect®, cloud-based open platform.

Bringing innovation to the table • welbilt.com

©2024 Frymaster LLC. except where explicitly stated otherwise. All rights reserved. Continuing product improvement may necessitate change of specifications without notice.

Part Number FRY_D_8197223 01/2024