

BIGLA30 Series LOV™ Gas Fryer



Parts Manual

This manual is updated as new information and models are released. Visit our website for the latest manual.
This equipment chapter is to be installed in the Fryer Section of the *Equipment Manual*.



FOR YOUR SAFETY
Do Not Store or use gasoline or other flammable vapors and liquids in the vicinity of this or any other appliance.



Part Number: FRY_P_8197259 01/2024



NOTICE

IF, DURING THE WARRANTY PERIOD, THE CUSTOMER USES A PART FOR THIS FRYMASTER DEAN EQUIPMENT OTHER THAN AN UNMODIFIED NEW OR RECYCLED PART PURCHASED DIRECTLY FROM FRYMASTER DEAN, OR ANY OF ITS AUTHORIZED SERVICE CENTERS, AND/OR THE PART BEING USED IS MODIFIED FROM ITS ORIGINAL CONFIGURATION, THIS WARRANTY WILL BE VOID. FURTHER, FRYMASTER DEAN AND ITS AFFILIATES WILL NOT BE LIABLE FOR ANY CLAIMS, DAMAGES OR EXPENSES INCURRED BY THE CUSTOMER WHICH ARISE DIRECTLY OR INDIRECTLY, IN WHOLE OR IN PART, DUE TO THE INSTALLATION OF ANY MODIFIED PART AND/OR PART RECEIVED FROM AN UNAUTHORIZED SERVICE CENTER.

NOTICE

This appliance is intended for professional use only and is to be operated by qualified personnel only. A Frymaster DEAN Authorized Service Agency (ASA) or other qualified professional should perform installation, maintenance, and repairs. Installation, maintenance, or repairs by unqualified personnel may void the manufacturer's warranty.

NOTICE

This equipment must be installed in accordance with the appropriate national and local codes of the country and/or region in which the appliance is installed. Refer to the operators manual.

NOTICE TO U.S. CUSTOMERS

This equipment is to be installed in compliance with the basic plumbing code of the Building Officials and Code Administrators International, Inc. (BOCA) and the Food Service Sanitation Manual of the U.S. Food and Drug Administration.

NOTICE

Drawings and photos used in this manual are intended to illustrate operational, cleaning and technical procedures and may not conform to onsite management operational procedures.

NOTICE TO OWNERS OF UNITS EQUIPPED WITH COMPUTERS

U.S.

This device complies with Part 15 of the FCC rules. Operation is subject to the following two conditions: 1) This device may not cause harmful interference, and 2) This device must accept any interference received, including interference that may cause undesired operation. While this device is a verified Class A device, it has been shown to meet the Class B limits.

CANADA

This digital apparatus does not exceed the Class A or B limits for radio noise emissions as set out by the ICES-003 standard of the Canadian Department of Communications.
Cet appareil numerique n'emet pas de bruits radioelectriques depassant les limites de classe A et B prescrites dans la norme NMB-003 edictee par le Ministre des Communications du Canada.

 WARNING

To ensure the safe and efficient operation of the fryer and hood, the electrical plug for the 120-volt line, which powers the hood, must be fully engaged and locked in its pin and sleeve socket.

 DANGER

No structural material on the fryer should be altered or removed to accommodate placement of the fryer under a hood. Questions? Call the Frymaster Dean Service Hotline at 1-800-551-8633.

NOTICE

The instructions in this manual for using a bulk oil system for filling and discarding oil are for an RTI system. These instructions may not be applicable to other bulk oil systems.

⚠ WARNING

After installation of a gas fryer and after any maintenance to the gas system of a gas fryer-manifold, valve, burners, etc. – check for gas leaks at all connections. Apply a thick soapy solution to all connections and ensure there are no bubbles. There should be no smell of gas.

⚠ DANGER

Improper installation, adjustment, maintenance or service, and unauthorized alterations or modifications can cause property damage, injury, or death. Read the installation, operating, and service instructions thoroughly before installing or servicing this equipment. Only qualified service personnel may convert this appliance to use a gas other than that for which it was originally configured.

⚠ DANGER

Adequate means must be provided to limit the movement of this appliance without depending upon the gas line connection. Single fryers equipped with legs must be stabilized by installing anchor straps. All fryers equipped with casters must be stabilized by installing restraining chains. If a flexible gas line is used, an additional restraining cable must be connected at all times when the fryer is in use.

⚠ DANGER

The front ledge of the fryer is not a step! Do not stand on the fryer. Serious injury can result from slips or contact with the hot oil.

⚠ DANGER

Do not store or use gasoline or other flammable liquids or vapors in the vicinity of this or any other appliance.

⚠ DANGER

Instructions to be followed in the event the operator smells gas or otherwise detects a gas leak must be posted in a prominent location. This information can be obtained from the local gas company or gas supplier.

⚠ DANGER

This product contains chemicals known to the state of California to cause cancer and/or birth defects or other reproductive harm.

Operation, installation, and servicing of this product could expose you to airborne particles of glasswool or ceramic fibers, crystalline silica, and/or carbon monoxide. Inhalation of airborne particles of glasswool or ceramic fibers is known to the State of California to cause cancer. Inhalation of carbon monoxide is known to the State of California to cause birth defects or other reproductive harm.

⚠ DANGER

The crumb tray in fryers equipped with a filter system must be emptied into a fireproof container at the end of frying operations each day. Some food particles can spontaneously combust if left soaking in certain shortening material.

⚠ WARNING

Do not bang fry baskets or other utensils on the fryer's joiner strip. The strip is present to seal the joint between the fry vessels. Banging fry baskets on the strip to dislodge shortening will distort the strip, adversely affecting its fit. It is designed for a tight fit and should only be removed for cleaning.

BIGLA30 SERIES LOV™ GAS FRYERS
PARTS MANUAL
TABLE OF CONTENTS

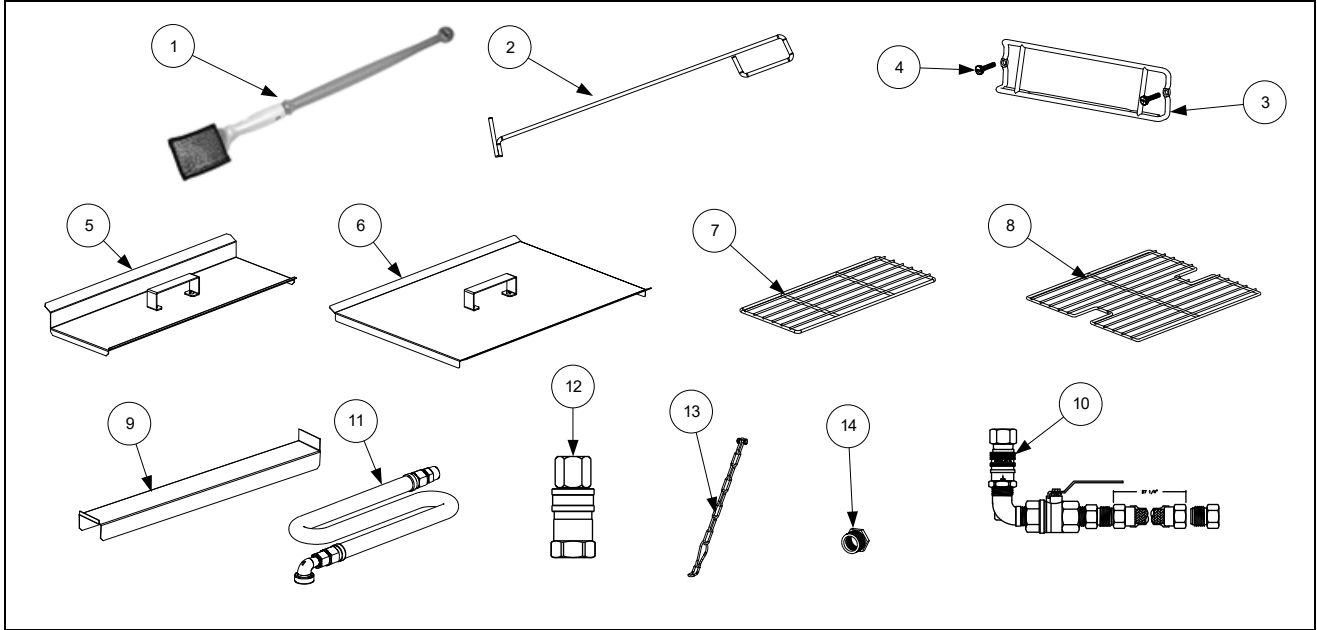
CHAPTER 1: Parts List

1.1	Accessories.....	1-1
1.2	Doors, Sides, Flue Caps, Cap-N-Splash, Top Caps and Casters.....	1-2
1.3	Drain Valves and Associated Parts.....	1-3
1.3.1	Linear Actuator Drain Valves.....	1-3
1.3.2	Rotary Actuator Drain Valve.....	1-3
1.4	Drain Tube Sections and Associated Parts.....	1-4
1.5	Electronics and Electrical Components.....	1-5
1.5.1	High-Limit Thermostat and Temperature Probe.....	1-5
1.5.2	Component Boxes.....	1-5
1.5.3	Transformer Boxes.....	1-7
1.5.4	Computers and Associated Components.....	1-8
1.6	Wiring.....	1-9
1.6.1	Main Wiring Harnesses.....	1-9
1.6.2	Miscellaneous Wiring.....	1-10
1.6.3	M3000, MIB, AIF and ATO Wiring Harnesses.....	1-10
1.7	Frypots and Associated Components.....	1-11
1.7.1	Full-Vat Frypot Components.....	1-11
1.7.2	Dual-Vat Frypot Components.....	1-13
1.7.3	Frypot Assemblies and Associated Parts.....	1-15
	1.7.3.1 Frypots with Linear Actuators.....	1-15
	1.7.3.2 Frypots with Rotary Actuators.....	1-16
1.8	Oil Return Manifolds.....	1-17
1.9	Return Valves and Associated Components.....	1-17
1.10	Gas Supply and Combustion System Components.....	1-18
1.11	Gas Valves and Associated Components.....	1-20
1.12	Filtration System Components.....	1-22
1.13	Auto Intermittent Filtration Components.....	1-23
1.13.1	LOV Indicator Light and MIB Assembly.....	1-23
1.13.2	AIF (Automatic Intermittent Filtration) Linear Actuator Board Assembly.....	1-24
1.14	ATO (Automatic Top-Off) Components.....	1-24
1.14.1	JIB Cradle, JIB Cap and Pick-Up Assembly and ATO(Automatic Top-Off) Board.....	1-24
1.14.2	ATO Pump Assembly.....	1-25
1.14.3	ATO Pump Assembly Larger Lines.....	1-26
1.14.4	Shortening Melting Unit.....	1-27
1.15	RTI System Components.....	1-28
1.15.1	RTI Dispose Waste Valve and Test Box.....	1-28
1.15.2	RTI Manifold and Accessories prior to Oct 2010.....	1-28
1.15.3	RTI Manifold and Accessories after Oct 2010.....	1-30
1.16	Oil Quality Sensor (OQS) and Associated Parts.....	1-32

BIGLA30 SERIES LOV™ GAS FRYERS

CHAPTER 1: PARTS LIST

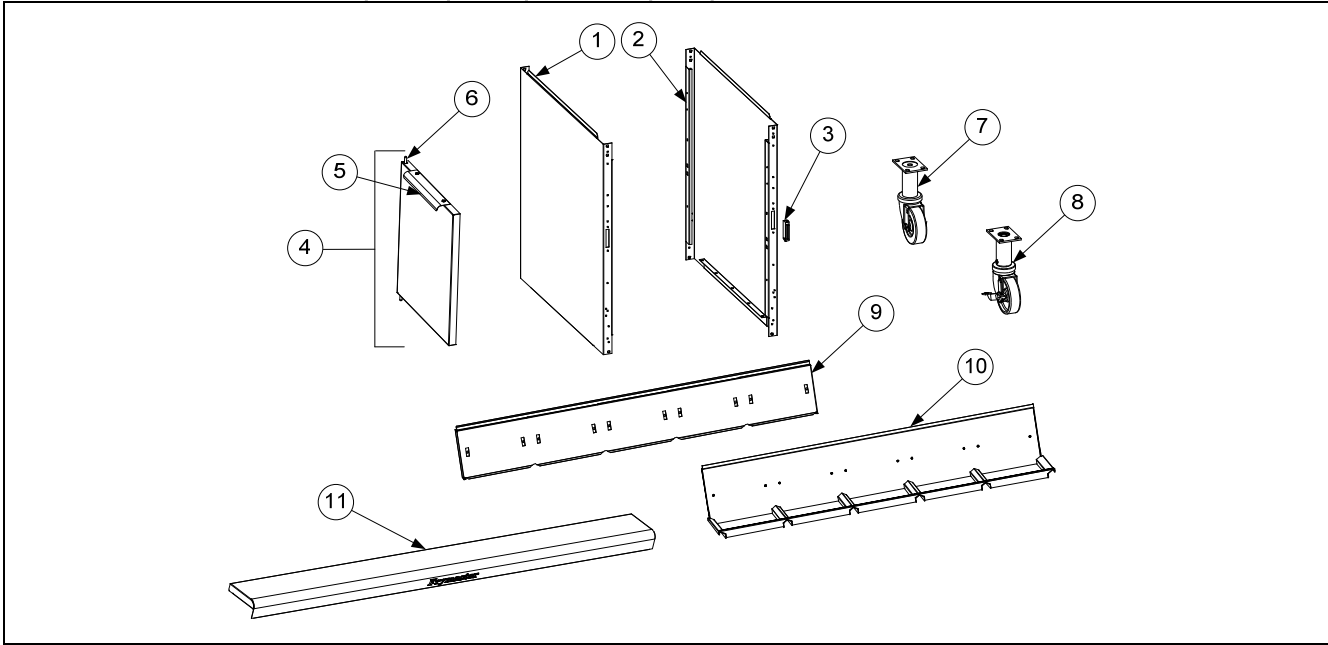
1.1 Accessories



ITEM	PART #	COMPONENT
1	8030430	Brush, Frypot Ecolab
2	8030388	Fryers Friend LOV™
3	8102793	Hanger, Basket
4	8090171	Thumbscrew, ¼-20 X 1⅜-inch Universal Hood (use 8090921 for Spacer)
	8090402	Thumbscrew, ¼ -20 X ½-inch Cap-N-Splash Hood
5	1068931	Cover, Frypot, Dual Vat
6	1068930	Cover, Frypot, Full Vat
*	8260993SP	Handle Kit, Frypot Cover (includes handle and screws)
7	8030372	Basket Support Rack, Dual Vat
8	8030375	Basket Support Rack, Full Vat
*	8030136	Basket Support Screen, Full Vat (screen w/handle used in place of Item 8)
9	2302975	Connecting Strip, Frypot prior to 07/2014
	1086156SP	Connecting Strip, Frypot after 06/2014
10	8100478	Gas Line, 1-Inch Dormont Flexible 27" w/Valve
11	8100088	36-Inch Gas Line 1-Inch Dormont Flexible
	8100085	48-Inch Gas Line 1-Inch Dormont Flexible
12	130001257	Quick-Disconnect Fitting, 1-Inch Male & Female
	8103745	Quick Disconnect Fittings, ¾-inch set (includes male and female connectors)
13	8260900	Kit, Chain Restraint
14	8261045	Bushing, Flexible Gas Line (8130032)
*	8261157	Kit, Fuse and Fuse Puller (2 Fuses)

* Not illustrated.

1.2 Doors, Sides, Flue Caps, Cap-N-Splash, Top Caps and Casters

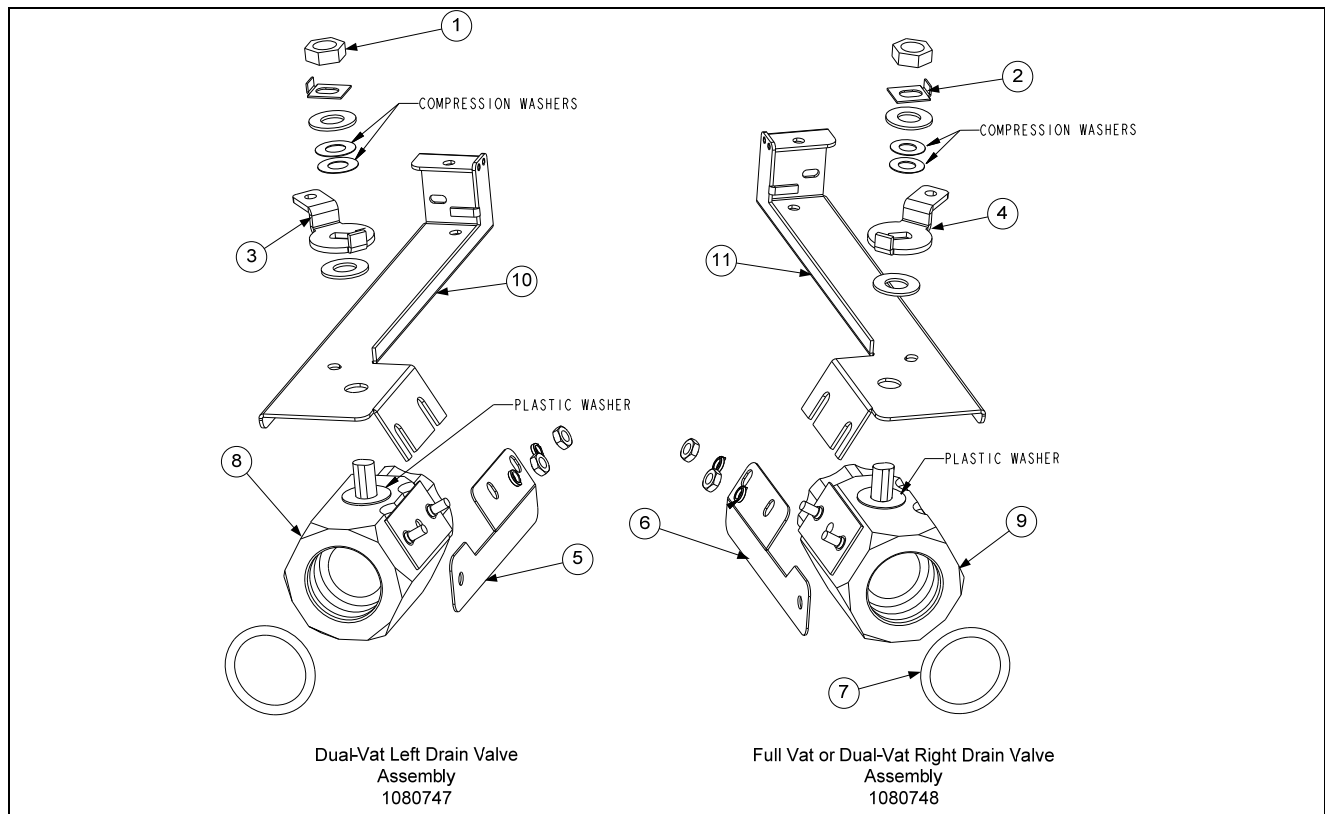


ITEM	PART #	COMPONENT
1	2317908	Side, Standard Cabinet Left SS (use 2210323 for Enameled Steel)
2	2327908	Side, Standard Cabinet Right SS (use 2220323 for Enameled Steel)
3	8101105	Magnet, Door (vertical) (use 8102346 for horizontal over filter pan)
4	1064397	Door, Left or Right (move handle to bottom for right) (use 1080915 for Door w/ Manual Holder)
5	2304960	Handle, Eurolook Door
6	1064067SP	Pin Assembly, Door
*	8100275	Spring, Door Pin
*	8090970	Retaining Ring
*	2307192	Hinge, Door Lower
7	8100327	Caster without Brake
8	8100944	Caster with Brake
9		Flue Cap-Stainless Steel (Use Aluminized steel with Cap-N-Splash)
	8237656	Two Station (8236666 for Alz Steel)(Use 2302635 for Hood Strip) prior to 07/2014
	8238926	Two Station(8239031 for Alz Steel)(Use 2302635 for Hood Strip) after 06/2014
	8237657	Three Station (8236681 for Alz Steel) (Use 2302405 for Hood Strip) prior to 07/2014
	8238927	Three Station (8239032 for Alz Steel)(Use 2302405 for Hood Strip) after 06/2014
	8237658	Four Station (8236680 for Alz Steel) (Use 2302636 for Hood Strip) prior to 07/2014
	8238928	Four Station (8239033 for Alz Steel)(Use 2302636 for Hood Strip) after 06/2014
	8238064	Five Station (8238100 for Alz Steel) (Use 2302637 for Hood Strip) prior to 07/2014
	8238930	Five Station(8239034 for Alz Steel)(Use 2302637 for Hood Strip) after 06/2014
10		Cap-N-Splash Assemblies
	8237659	Two Station Fryer
	8237660	Three Station Fryer
	8237661	Four Station Fryer
	8238101	Five Station Fryer
11		Top Cap (Cap for 5-staion fryer shown)
	1081522	Two Station Fryer prior to 07/2014
	1086158SP	Two Station Fryer after 06/2014
	1081523	Three Station Fryer prior to 07/2014
	1086159SP	Three Station Fryer after 06/2014
	1081524	Four Station Fryer prior to 07/2014
	1086160SP	Four Station Fryer after 06/2014
	1083030	Five Station Fryer prior to 07/2014
	1086161	Five Station Fryer after 06/2014

* Not illustrated.

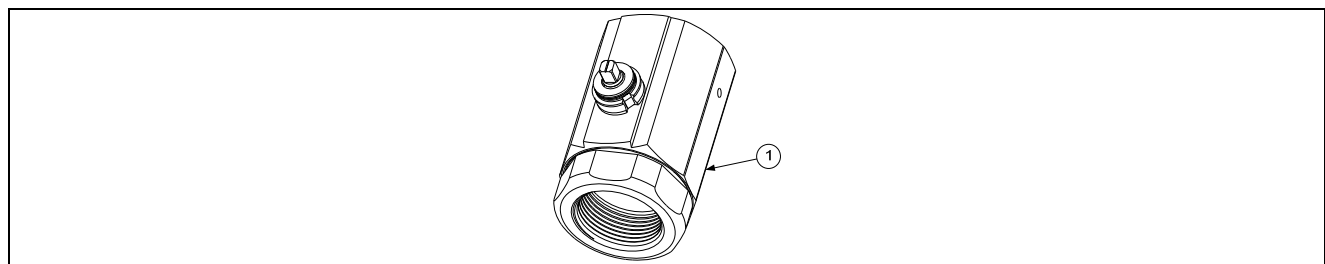
1.3 Drain Valves and Associated Parts

1.3.1 Linear Actuator Drain Valves



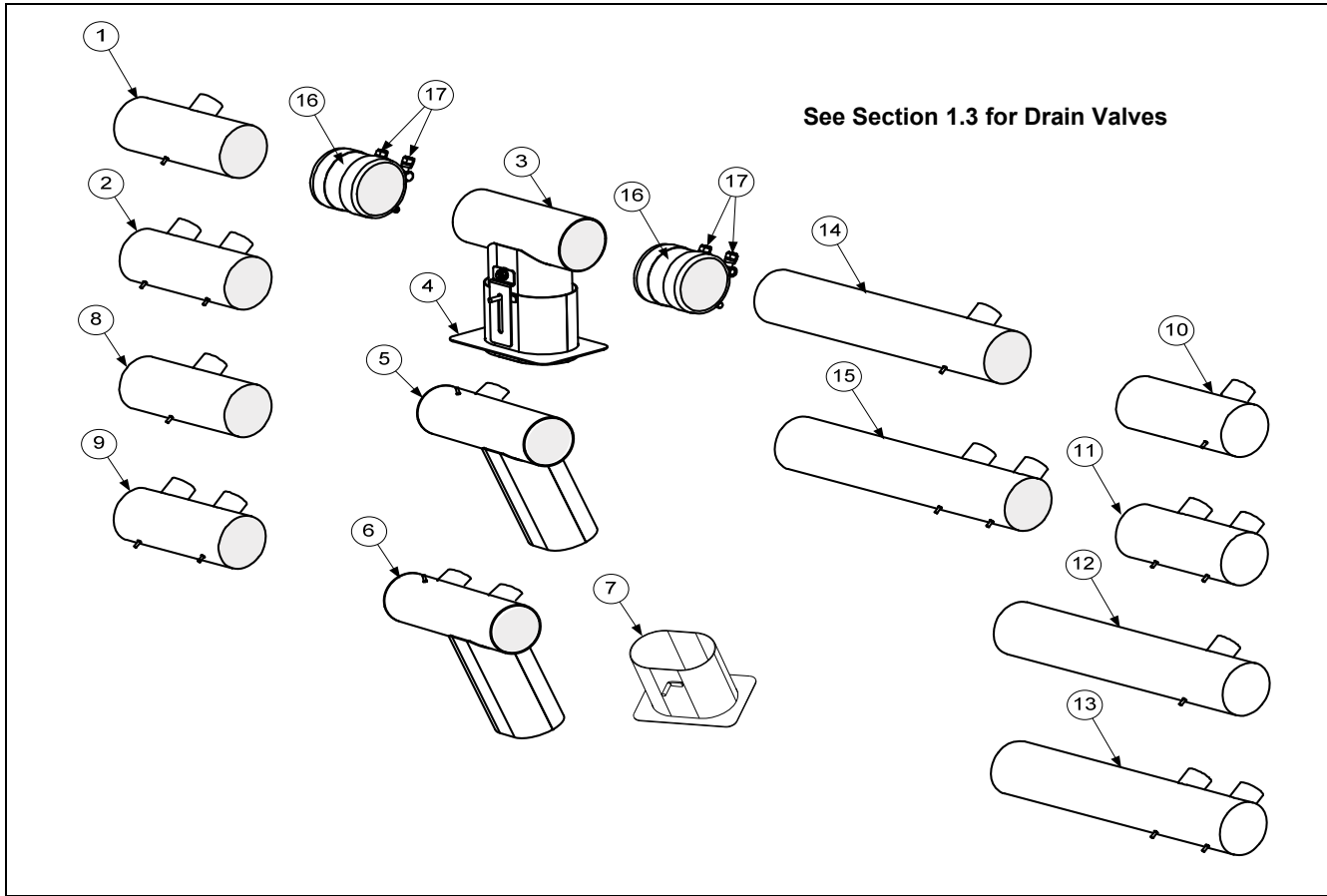
ITEM	PART #	COMPONENT
1	8090540	Nut, 1/2-13 2-Way Hex Lock
2	9002936	Retainer, Nut Drain Valve
3	2316294	Handle, Drain Valve DV Left
4	2326294	Handle, Drain Valve FV or DV Right
5	2216306	Bracket, Drain Valve Lt.
6	2226306	Bracket, Drain Valve Rt.
7	8160544	O-Ring, Round Drain Seal
8	8237230	Valve, 1 1/4-inch Drain Lt. (02/2010-04/2012)
9	8237231	Valve, 1 1/4-inch Drain Rt. (02/2010-04/2012)
10	8242146	Mount, Stud Drain Actuator Gas Lt.
11	8242147	Mount, Stud Drain Actuator Gas Rt.

1.3.2 Rotary Actuator Drain Valves



ITEM	PART #	COMPONENT
1	8103755	Valve, 1 1/4-inch NPT Rotary Actuator (05/2012 – Present)

1.4 Drain Tube Sections and Associated Parts

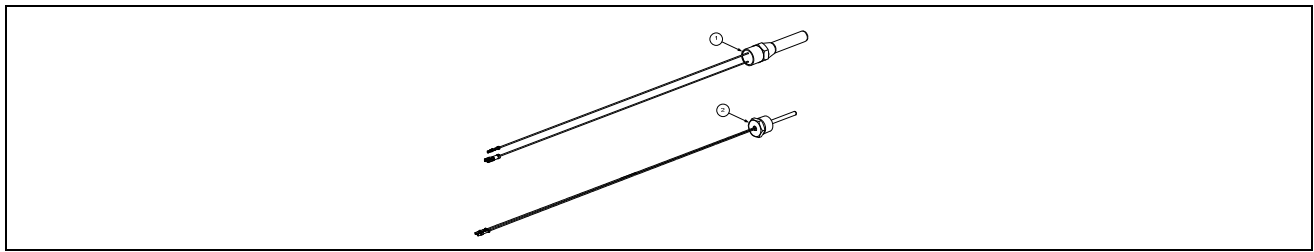


ITEM	PART #	COMPONENT
1	8237323	Drain Tube, Full-Vat Left Closed/Right End Open
2	8237325	Drain Tube, Dual-Vat Left Closed/Right End Open
3	1080887SP	Drain Tube, Dump
4	8237468	Shroud, Filter Pan Lid (attaches to item # 3)
5	1081118SP	Drain Tube, Full-Vat 2 Bat. Dump Left Closed/Right End Open
6	1081120	Drain Tube, Dual-Vat 2 Bat. Dump Left Closed/Right End Open
7	8237480	Shroud, Filter Pan Lid 2 Bat. (attaches to item # 5 and 6)
8	8237322	Drain Tube, Full-Vat Left and Right Open
9	8237324	Drain Tube, Dual-Vat Left and Right Open
10	8237330	Drain Tube, Full-Vat 2 Bat. Left Open/Right End Closed
11	8237331	Drain Tube, Dual-Vat 2 Bat. Left Open/Right End Closed
12	8237329	Drain Tube, Full-Vat Left Open/Right End Closed
13	8237326	Drain Tube, Dual-Vat Left Open/Right End Closed
14	8237328	Drain Tube, Full-Vat Left and Right Open
15	8237327	Drain Tube, Dual-Vat Left and Right Open
16	8160772	Sleeve
17	8090969	Clamp
*	8160630	Vinyl Cap

* Not illustrated.

1.5 Electronics and Electrical Components

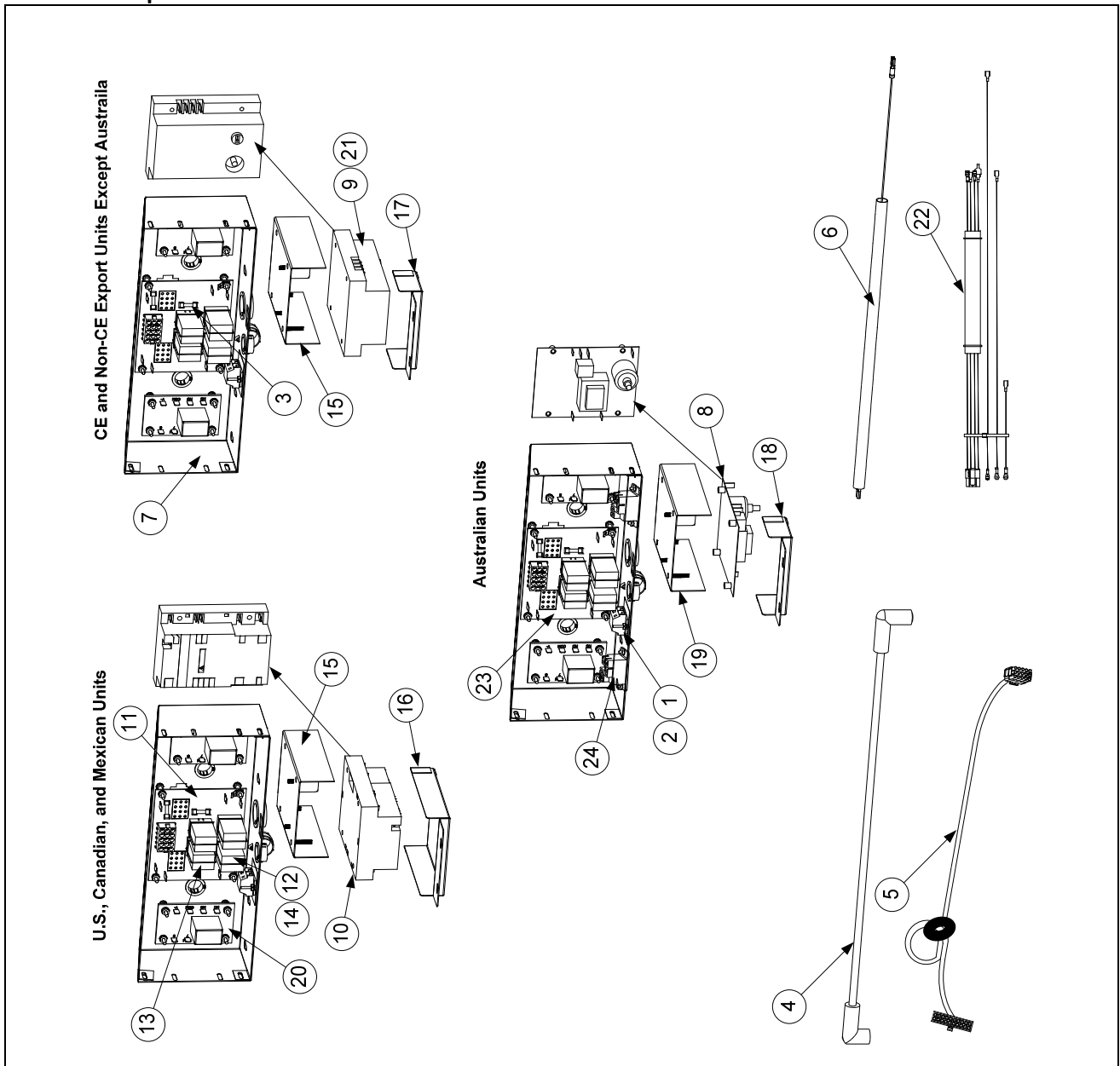
1.5.1 High-Limit Thermostat and Temperature Probe



ITEM	PART #	COMPONENT
√ 1	8261177	Thermostat Assembly, HE FM High-Limit 425°F/218°C
√ 2	8262900	Temperature Probe, LOV™

√ Recommended parts.

1.5.2 Component Boxes



1.5.2 Component Boxes cont.

ITEM	PART #	COMPONENT
1	8101164	Block, One-Piece Screwless Terminal
2	8160217	Insulation, Terminal Block Paper
√ 3	8073843	Fuse 3A 250V Domestic
	8073293	Fuse 5A 125V International Only
√ 4	8075008	Cable, 21-inch Ignition – For 8073366/8073365 Modules
*	8075614	Cable, Ignition 12" Fenwal Modules
*	8075009	Cable, Ignition 19" (CE)
*	8075266	Cable, Ignition, Australian units
*	8073484	Connector, Rajah
5	8074199	Cable, 20-pin Computer to 15-pin Interface Board - SMT
6	8066085SP	Wire Assembly, Ignitor
7	2206102	Box, One-Piece Component
√ 8	8072971	Ignition Module, (Australia)
√ 9	8071006	Ignition Module, CE Honeywell
√ 10	8075691~	Ignition Module Capable Controls Single-Spark Full-Vat and Dual-Vat CE/Non-CE
√	8073366†	Ignition Module, Honeywell Dual-Spark Full-Vat (<i>Domestic and Non-CE export unit except Australia</i>)
√	8073365†	Ignition Module, Honeywell Single-Spark Dual-Vat (<i>Domestic and Non-CE export unit except Australia</i>)
√ 11	8262264	Interface Board Kit SMT
	8074330	Speaker Adapter Harness SMT
	8074343	Wire Harness, SMT Interface Board to Ignition Module
√ 12	8070833	Relay, DPDT 5A 12VDC Latch (See NOTE 1.)
√ 13	8070834	Relay, SPDT 15A 12VDC Oil Level Sensor (See NOTE 2.)
14	8102243	Spring, Relay Retaining
15	1081094	Plate, Ignition Module
16	8242090	Cover, Ignition Module
17	8242091	Cover, Ignition Module CE
18	2207085	Cover, Ignition Module Australia
19	1081544	Plate, Ignition Module Australia
20	8074812	Relay, 7-second Time Delay 120V (<i>U.S., Canadian and Mexico units</i>)
	8074934	Relay, 7-second Time Delay 220V, 230V, 240V and 250V units (<i>International units</i>)
21	1060531SP	Fuse Assembly, Inline (<i>not used on all models</i>)
*	8072659	Switch, Momentary (<i>Control Power Reset, only used in far left component box</i>)
*	8074403	Speaker SMT
22	1081260SP	Wire Assembly, Ignition Module Domestic and Non-CE export, except Australia.
	1082353	Wire Assembly, Ignition Module CE
23	8064973	Interface Board – Australia Only
24	8071683	Relay, 12VDC Reset Switch

* Not illustrated.

√ Recommended parts.

~ For Full-vat or Dual-vat units, use two 8075691 Single Spark Ignition Modules (see NOTE 1).

† For Full-vat units, use one 8073366 Honeywell Dual Spark Ignition Module (see NOTE 3).

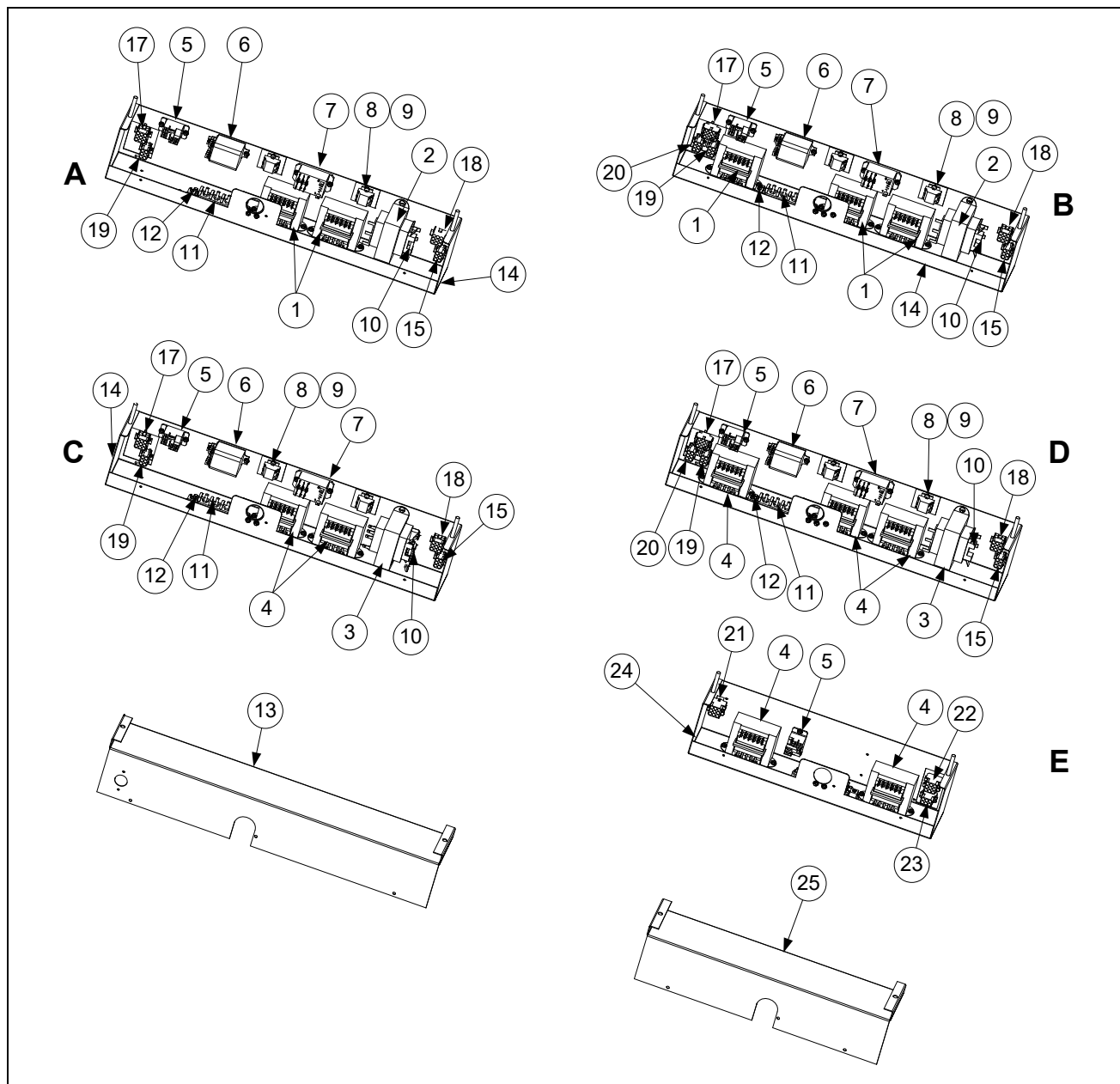
† For Dual-vat units, use two 8073365 Honeywell Single Spark Ignition Modules (see NOTE 3).

NOTE 1: Fryers using 8075691 Single-Spark Capable Controls modules use two modules for both Full-Vat and Dual-Vat Fryers. Also, in full-vat units, only two latch relays (Item 12) are used, located in the sockets on the right side of the interface board. These relays are located in the bottom sockets of the interface board and control the heating circuit.

NOTE 2: The relays in the top sockets control the oil level sensors.

NOTE 3: Domestic U.S. and Non-CE Export except Australia units use two different modules depending upon the configuration of the frypot. Full-Vat units use one 8073366 Dual-Spark Ignition Module while Dual-Vat units use two 8073365 Single-Spark Ignition Modules. Also, in full-vat units, only two latch relays (Item 12) are used, located in the sockets on the right side of the interface board. These relays are located in the bottom sockets of the interface board and control the heating circuit.

1.5.3 Transformer Boxes



ITEM	PART #	COMPONENT
		Box Assembly, Transformer
A	1068135SP	GL230 and 430 (430 has added cordset 1080871)
B	1068122SP	GL330
C	1069734	GL230 and 430 CE Export (430 has added cordset 1080871) (1069750 430 CE Export with 1080871)
D	1069710SP	GL330 CE Export
E	1081423	GL 430 CE Export
√ 1	8072176	Transformer, 100-120V V/F Dual Voltage
√ 2	8072181	Transformer, 100-120V/24V 62VA Filter and MIB
√ 3	8072180	Transformer, 100-120VV/24V 50VA Filter and MIB
4	8071999	Transformer, V&F Dual Voltage 208/222/230/240V

√ Recommended parts.

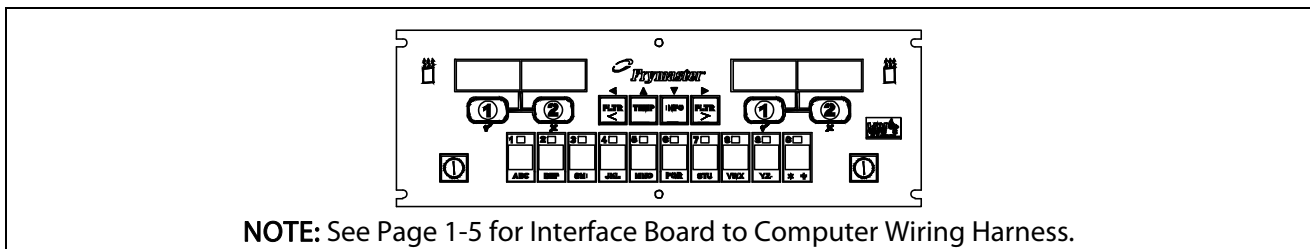
1.5.3 Transformer Boxes cont.

ITEM	PART #	COMPONENT
√ 5	8071683	Relay, Hood 12V DC
√ 6	8074346	Relay, DPDT 20A 120VAC (Control Reset Button) <i>(used for control power reset in domestic units)</i>
√	8074770	Relay, DPDT 20A 240V <i>(used for control power reset in international units)</i>
√ 7	8074482	Relay, Filter 30A 24VDC DPDT
8	8160217	Insulation, Terminal Block Paper
9	8101164	Block, One-Piece Screwless Terminal
√ 10	8071597	Fuse, 3amp Slo-Blow
11	8071973	Terminal, Post
12	8070070	Terminal, Ground Lug
13	2203191	Cover, Large Transformer Box
14	8236324	Box, Large Transformer/Filter
15	1068133SP	Cable Assembly, Transformer Box Line GL230, 330, 430, 230 and 330 CE Export and 430 CE Export
16	1068168	Cable Assembly, Transformer Box Line GL230 CE Export
17	1068170	Cable Assembly, Transformer Box Filter Pump GL230, 330, 230 and 330 CE Export
18	1080994SP	Cable Assembly, Transformer Box #1 GL230,330, 230 and 330 CE Export
19	1080995SP	Cable Assembly, Transformer Box #2 GL230, 330, 230 and 330 CE Export
20	1080996SP	Cable Assembly, Transformer Box #3 GL330 and 330 CE Export
21	8068706	Plug Assembly, LT #252
22	8068707	Plug Assembly, RT #252
23	1066996	Harness Assembly, Cord set Female McD
24	8237400	Box, Transformer/Filter GL30 4-Battery
25	2206514	Cover, GL30 4-Battery Transformer Box
*	WIR 0100	Wire Assembly, GL 430 McD Double (used in Item E)
*	WIR 0623	Wire Assembly, GL230/430 Hood Relay (used in Item A, B, C and D)
*	WIR 0798	Wire Assembly, GL330 Transformer/Filter Box (used in Item B, C and D)
*	WIR 0799	Wire Assembly, GL230/430 Transformer/Filter Box (used in Item A)

* Not illustrated

√ Recommended parts.

1.5.4 Computers and Associated Components

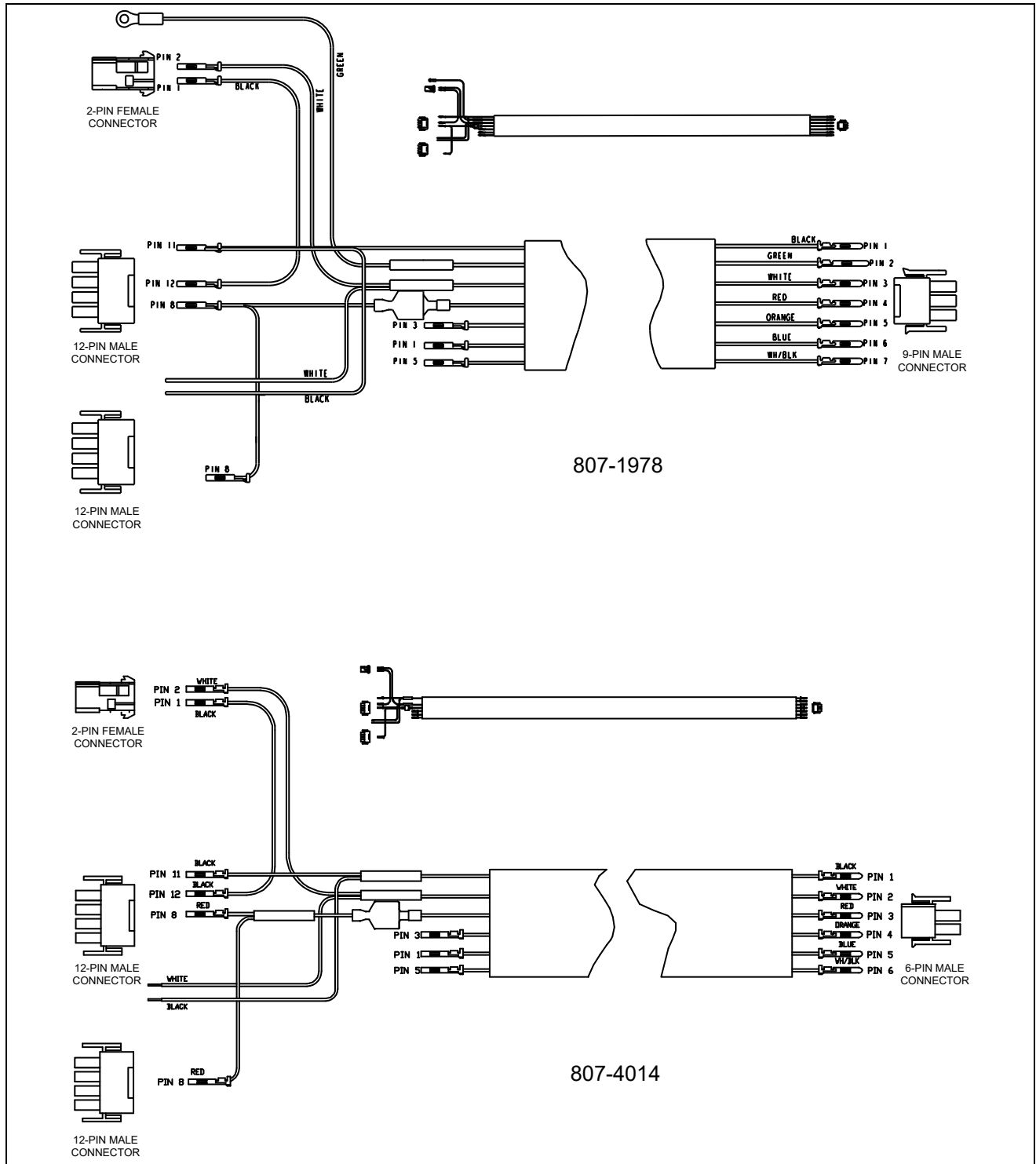


ITEM	PART #	COMPONENT
√	1081284SP	Computer, McDonald's M3000 Gas Fryer SMT
√	1081282	Non-CE M3000 <i>(For use in US, Canada, Mexico and other non-CE countries)</i>
√	1082969	CE M3000 <i>(For use in European CE countries)</i>
√	1081290	M3000 <i>(For use in Russia only)</i>
√	1081290	M3000 <i>(Australia Only)</i>
*	8074403	M3000 Speaker SMT

* Not illustrated.

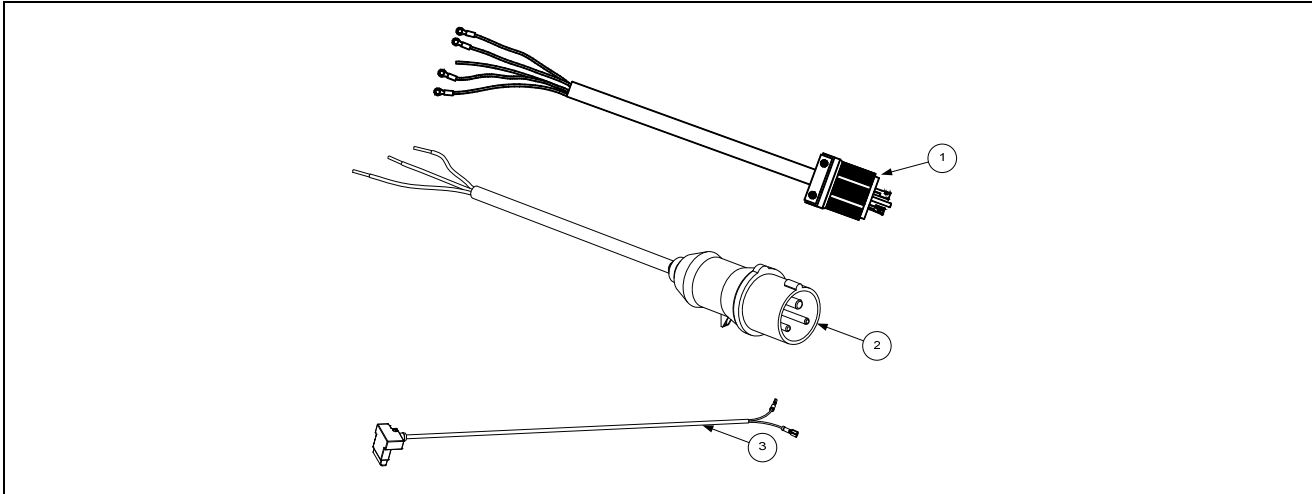
√ Recommended parts.

1.6 Wiring
 1.6.1 Main Wiring Harnesses



ITEM	PART #	COMPONENT
	8071978	Main Wiring Harness Vat 1 (Far left controller) (9-pin)
	8074014	Main Wiring Harness Vat 2, 3, 4 and 5 (6-pin)

1.6.2 Miscellaneous Wiring



ITEM	PART #	COMPONENT
1	8074316	Power Cord, 120V w/Grounding Plug 5 wire (w/Ring Terminals, no Clamp)
2	8074317	Power Cord, CE
	8075225	Power Cord, 3-Wire 15A, 250V (Korea)
3	8069678SP	Plug Assembly, CE Gas Valve

1.6.3 M3000, MIB, AIF and ATO Wiring Harnesses (Refer to wiring diagram on page 1-60 in the BIGLA30 LOV Service Manual.)

ITEM	PART #	COMPONENT
*	8074546	Computer Communication (used from Computer to Computer)
*	8074547	AIF Communication/Power (used from AIF to AIF and AIF to ATO)
*	8074850	Communication/Power (used from MIB to AIF)
*	8074562	MIB Power/Blue LED/Pan Sw (used from Transformer and Fltr Rly to MIB to Blue LED and Pan Sw)
*	8074655	FV/DV Harness RTD Extension 20" (used from RTD to ATO Board)
*	8074845	FV/DV Harness RTD Extension 28" (used from RTD to ATO Board)
*	8262569	FV/DV ATO/RTD Probe Kit
*	8074621	FV/DV Harness RTD Short (used from RTD to ATO Board)
*	8074771	ATO Power (used from Transformer to ATO Board)
*	8074555	ATO Yellow LED (used from ATO Board to Yellow LED)
*	8074573	Computer Locator Wire (used from Computer to Interface Board) See wiring diagram 805-1725 for locator pin positions.
*	8074552	Communications Terminator (used on Computer pin J6 and ATO board pin J10 to terminate network)
*	1068977SP	Long Top-off Power (used between Transformer Box to ATO Box) Domestic
*	1081589SP	Long Top-off Power (used between Transformer Box to ATO Box) CE and Export
*	1069544	ATO Power to Secondary ATO box (4 and 5 battery only)
*	8074671	Harness, LOV™ RTI-MIB connector
√	*	8074660PK SMT Pin Service Repair Kit
√	*	2302345 SMT Pin Extractor

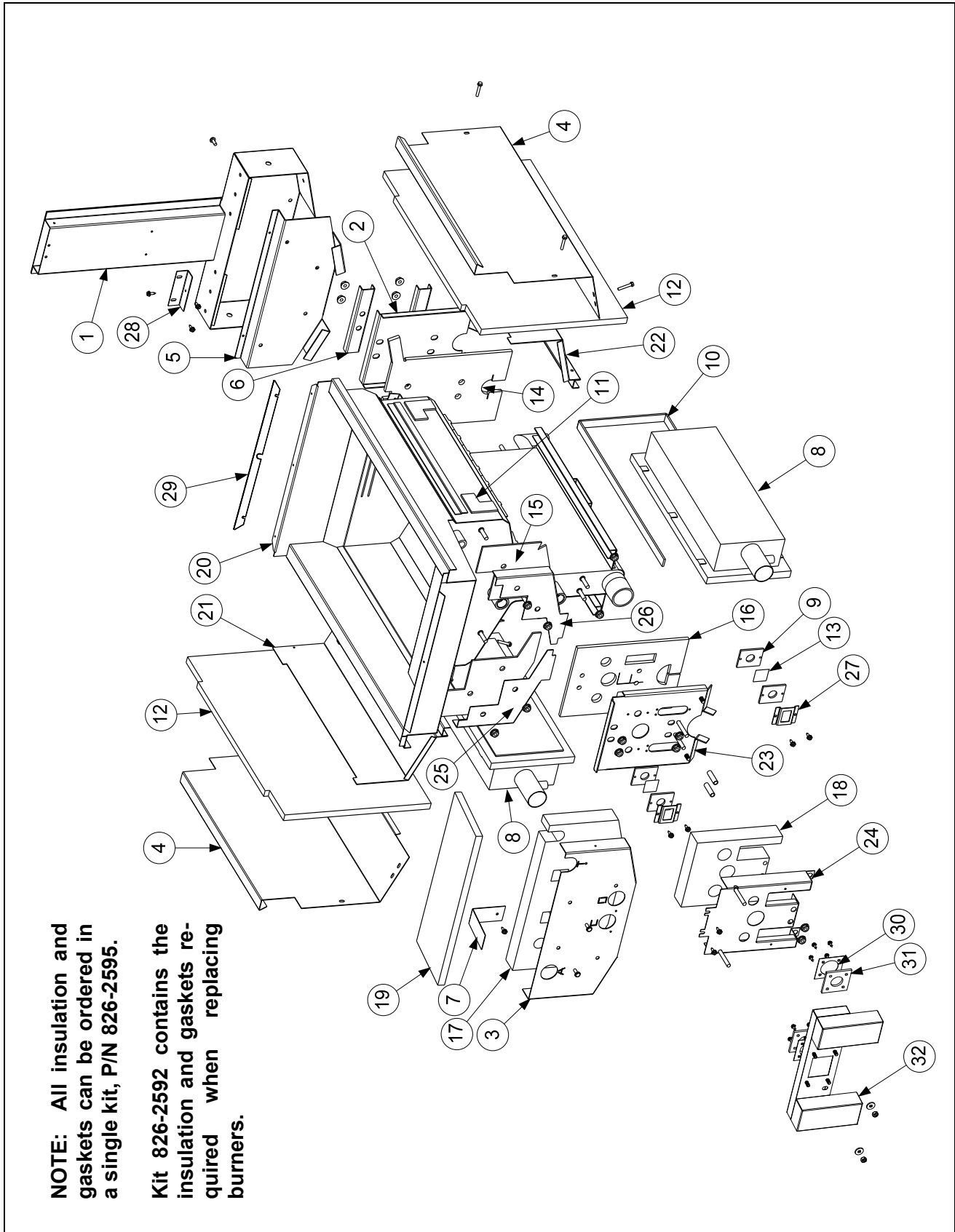
* Not illustrated.

√ Recommended parts.

See page 1-27, 1-32, 1-39 and 1-50 in the BIGLA30 Service Manual for Pin Positions.

1.7 Frypots and Associated Components

1.7.1 Full-Vat Frypot Components



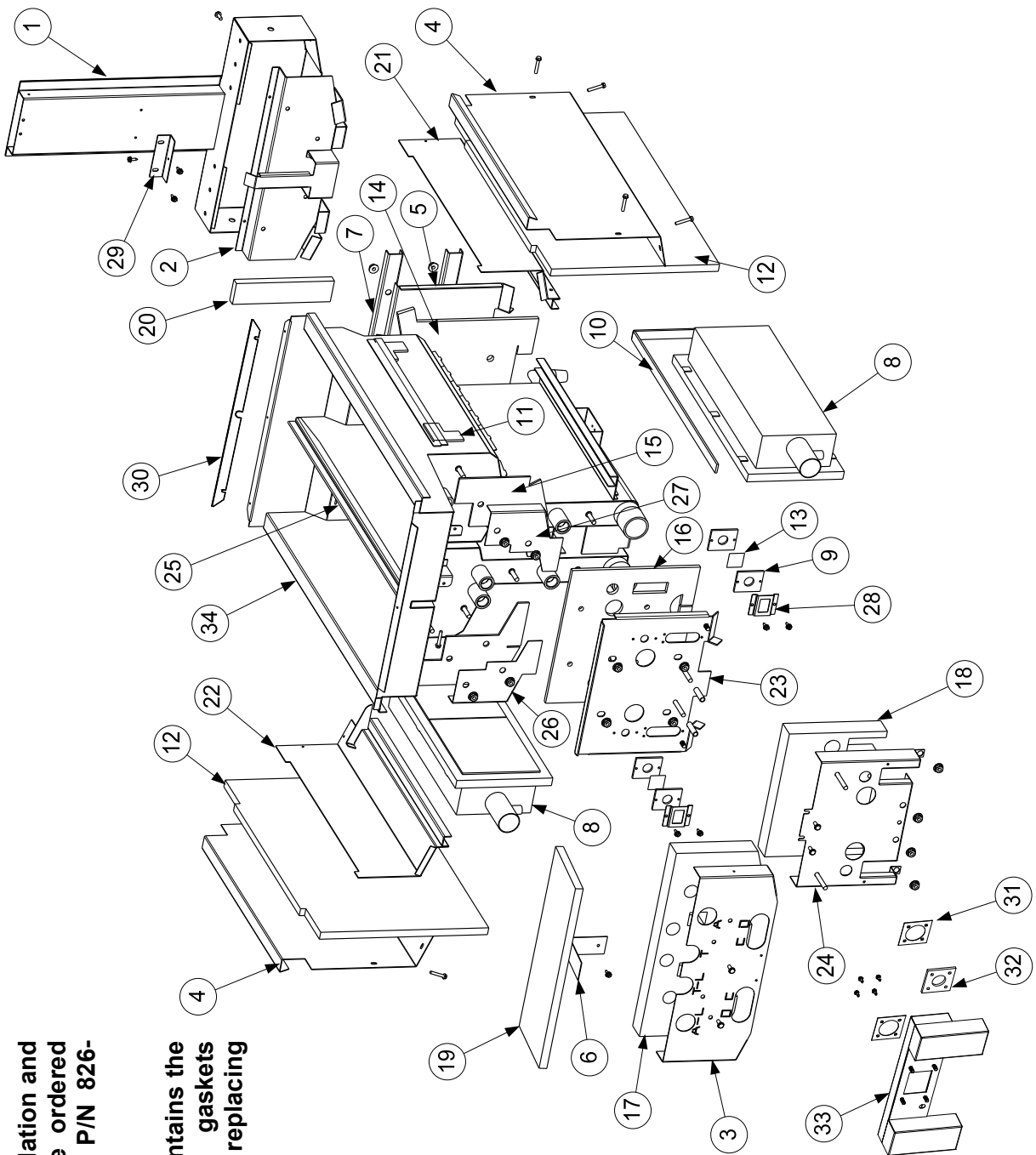
1.7.1 Full-Vat Frypot Components cont.

ITEM	PART #	COMPONENT
	1080858SP	Frypot Assembly Full-Vat LOV™ HE (NAT/PRO) <i>Linear Actuator (02/2010-04/2012)</i>
	1081752SP	Frypot Assembly Full-Vat LOV™ HE (NAT/PRO) <i>Rotary actuator (05/2012-Present)</i>
	8262595	Insulation Kit, Complete Full-Vat
	8262592	Insulation Kit, Burner Full-Vat
1	1080925SP	Flue Assembly, Full-Vat
2	2206470	Back, Lower Full-Vat Combustion Chamber
3	2206529	Retainer, Full-Vat Upper Insulation
4	2206664	Retainer, Outer Frypot
5	2306960	Plate, FV Collector Mounting
6	2202851	Brace, FV Rear Insulation
7	2202920	Brace, Foam Deck Insulation
√ 8	8103435	Burner, Universal Replacement LOV™
9	8120356	Insulation, Burner Sight Glass
10	8160900	Insulation, Burner
11	8120706	Insulation, Upper Burner Rail
12	8121029	Insulation, Combustion Chamber Side
13	8140048SP	Glass, Burner Sight
14	8160837	Insulation, FV Rear Lower
15	8160731	Insulation, FV LH/RH Front Seal
16	8160976	Insulation, FV Lower Inner Front (<i>may require 8238577 for serial #'s after 1209</i>)
17	8160733	Insulation, FV Front Upper
18	8160978	Insulation, FV Outer Front (<i>may require 8238575 for serial #'s after 1209</i>)
19	8160746	Insulation, Foam Deck
20	8237283	Frypot, Full-Vat LOV™ 30 439 SS <i>Linear Actuator (02/2010-04/2012)</i>
	8238932	Frypot, Full-Vat LOV™ 30 439 SS) <i>Rotary actuator (05/2012-Present)</i>
21	8238193	Retainer, FV LH Upper Burner
22	8238194	Retainer, FV RH Upper Burner
23	8238577	Retainer, FV Front Insulation
24	8238575	Retainer, FV Outer Front
25	8242164	Front Upper Seal Weldment, FV LH
26	8242165	Front Upper Seal Weldment, FV RH
27	9001031	Retainer, Burner Sight Glass
28	9300818	Bracket, Flue to Pot
29	9004253	Strip, Fluecap Retainer
30	9001049	Retainer, Plenum Gasket
31	8160057	Gasket, Plenum
32	8238574	Plenum, Full-Vat LOV™ (<i>use 8238590 for CE and Export Non-CE units</i>)
*	8160059	Gasket, Ignitor
*	9102474	Pot-to-Pot Gap Clip

* Not illustrated.

√ Recommended parts.

1.7.2 Dual-Vat Frypot Components



NOTE: All insulation and gaskets can be ordered in a single kit, P/N 826-2596.

Kit 826-2593 contains the insulation and gaskets required when replacing burners.

1.7.2 Dual-Vat Frypot Components cont.

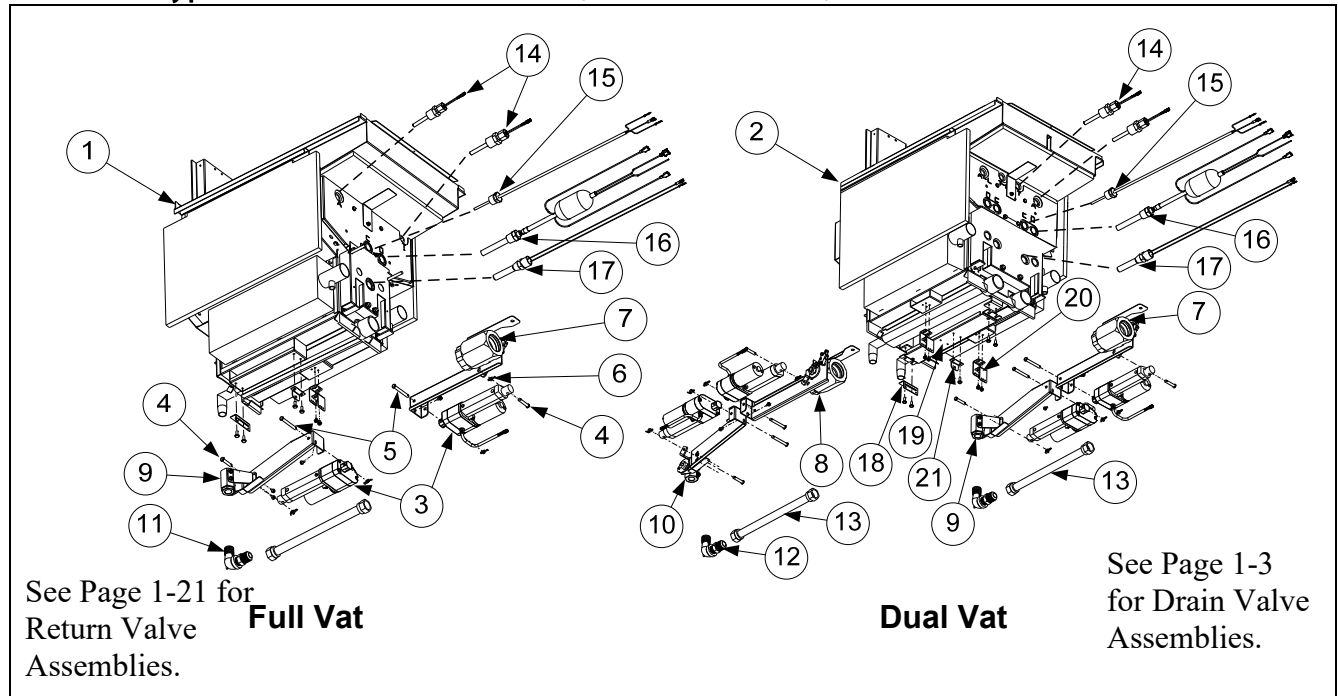
ITEM	PART #	COMPONENT
*	1080860SP	Frypot Assembly Dual-Vat w/RF HE (NAT/PRO) <i>Linear Actuator (02/2010-04/2012)</i>
*	1081753SP	Frypot Assembly Dual-Vat w/RF HE (NAT/PRO) <i>Rotary actuator (05/2012-Present)</i>
*	8262596	Insulation Kit, Complete Dual-Vat
*	8262593	Insulation Kit, Burner Dual-Vat
1	1080926SP	Flue Assembly, Dual-Vat
2	1067960	Plate Assembly, Dual-Vat Collector
3	2206530	Retainer, Dual-Vat Upper Insulation
4	2206665	Retainer, Dual-Vat Outer Frypot
5	2206180	Back, Dual-Vat Lower Combustion Chamber
6	2202920	Brace, Foam Deck Insulation
7	2202972	Brace, Dual-Vat Rear Insulation
√ 8	8103435	Burner, Universal Replacement
9	8120356	Insulation, Burner Sight Glass
10	8160900	Insulation, Burner
11	8120706	Insulation, Upper Burner Rail
12	8121029	Insulation, Combustion Chamber Side
13	8140048SP	Glass, Burner Sight
14	8160838	Insulation, Dual-Vat Rear Lower
15	8160741	Insulation, Dual-Vat LH/RH Front Seal
16	8160977	Insulation, Dual-Vat Lower Inner Front (<i>may require 8238578 for serial #'s after 1209</i>)
17	8160743	Insulation, Dual-Vat Front Upper
18	8160979	Insulation, Dual-Vat Outer Front (<i>may require 8238576 for serial #'s after 1209</i>)
19	8160746	Insulation, Foam Deck
20	8120688	Insulation, Flue Collection
21	8238196	Retainer, Dual-Vat RH Upper Burner
22	8238195	Retainer, Dual-Vat LH Upper Burner
23	8238578	Retainer, Dual-Vat Front Insulation
24	8238576	Retainer, Dual-Vat Outer Front
25	8241796	Riser W/A Dual-Vat Pot
26	8242166	Dual-Vat LH Upper W/A Seal
27	8242167	Dual-Vat RH Upper W/A Seal
28	9001031	Retainer, Sight Glass
29	9300818	Bracket, Flue to Pot
30	9004253	Strip, Fluecap Retainer
31	9001049	Retainer, Plenum Gasket
32	8160057	Gasket, Plenum
*	8160059	Gasket, Ignitor
33	8238573	Plenum, Dual-Vat LOV™ (<i>use 8238589 for CE units and Export Non-CE units</i>)
34	8237288	Frypot, Dual-Vat LOV™ 30 439 SS <i>Linear Actuator (02/2010-04/2012)</i>
	8238942	Frypot, Dual-Vat LOV™ 30 439 SS) <i>Rotary actuator (05/2012-Present)</i>
*	9102474	Pot-to-Pot Gap Clip

* Not illustrated.

√ Recommended parts.

1.7.3 Frypot Assemblies and Associated Parts

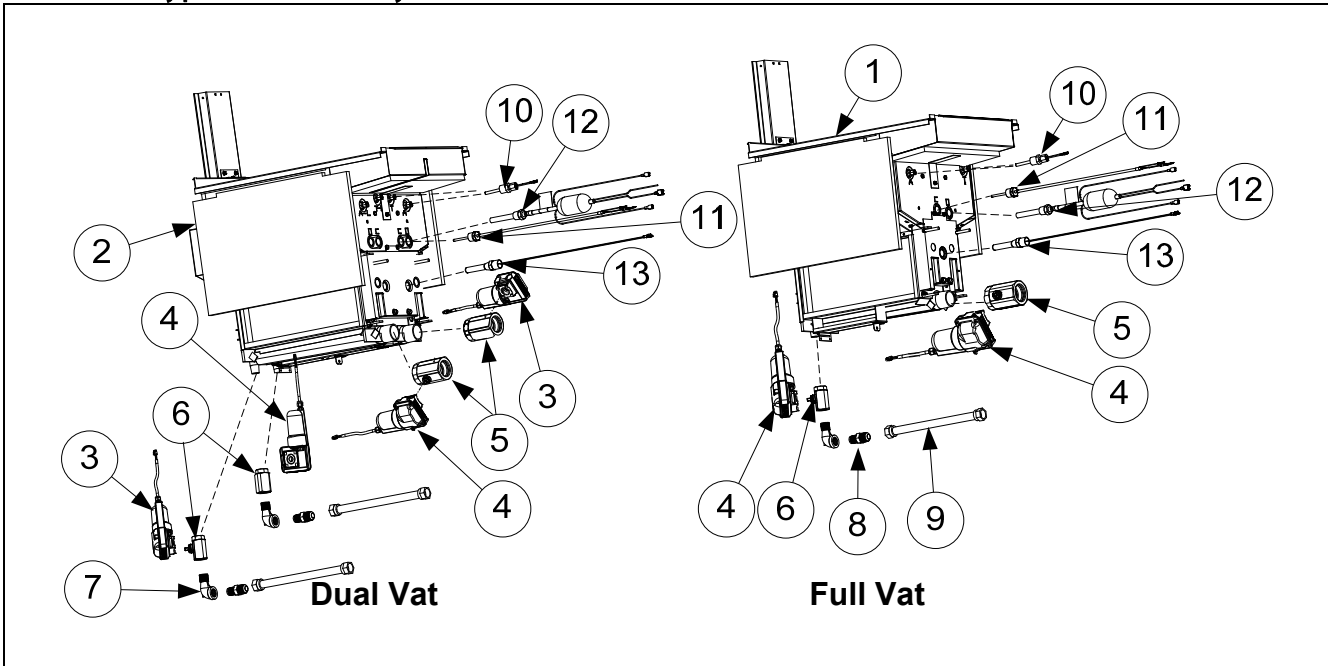
1.7.3.1 Frypots with Linear Actuators (02/2010-04/2012)



ITEM	PART #	COMPONENT
1	1080858SP	Frypot Assembly, Full-Vat LOV™ Natural/Propane (02/2010-04/2012)
2	1080860SP	Frypot Assembly, Dual-Vat LOV™ Natural/Propane (02/2010-04/2012)
√ 3	8263295	Actuator, Linear AIF 24VDC Kit (includes 8101776)
√ 4	8091012	Pin, Clevis, ¼ x 1¼
√ 5	8091036	Pin, Clevis, ¼ x 2
√ 6	8101776	Cotter Pin, Toaster Ring
7	1080748SP	Valve, Drain Assy. LOV™ AIF FV or DV Right viewed front. (02/2010-04/2012)
8	1080747SP	Valve, Drain Assy LOV™ AIF DV Left as viewed from front. (02/2010-04/2012)
9	1080750SP	Valve, Return Assy LOV™ AIF FV or DV Right viewed from front. (02/2010-04/2012)
10	1080749SP	Valve, Return Assy LOV™ AIF DV Left as viewed from front. (02/2010-04/2012)
11	8130165	Elbow, Street ½" x ½" NPT 90° BM
12	8101668	Adaptor, Male ⅝" OD x ½"
13	8101055	Flexline, ⅝" OD x 11.50" Long
√ 14	8262706	Probe, RTD AIF/ATO Kit
√ 15	8074817	Probe, Temperature Cooking
√ 16	8074815	Sensor Assy, Oil 120V
	8074947	Sensor Assy, Oil 220V <i>International</i>
	8074935	Sensor Assy, Oil 230V <i>International</i>
	8074942	Sensor Assy, Oil 240V and 250V <i>International</i>
√ 17	8261177	Thermostat Assembly, HE High-Limit 425°F/218°C Standard
18	2206472	Bracket, Rear AIF Mounting
19	2203183	Brace, DV AIF Support
20	2206666	Bracket, Actuator Support
21	2205299	Bracket, Front AIF Mounting

√ Recommended parts.

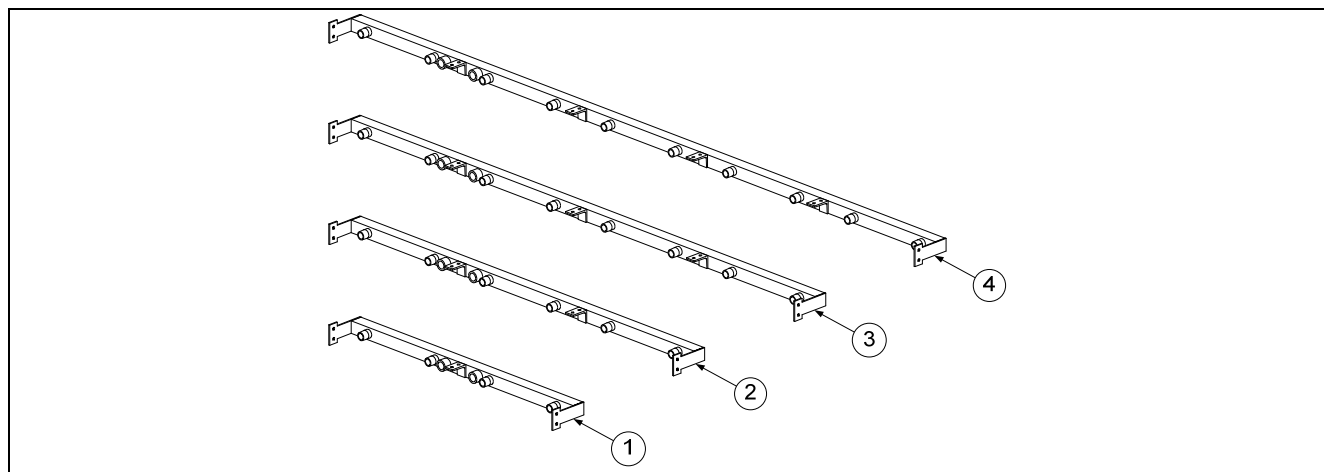
1.7.3.2 Frypots with Rotary Actuators (05/2012-Present)



ITEM	PART #	COMPONENT
1	1081752SP	Frypot Assembly, Full-Vat LOV™ Natural/Propane (05/2012-Present)
2	1081753SP	Frypot Assembly, Dual-Vat LOV™ Natural/Propane (05/2012-Present)
√ 3	8074961	Actuator, Rotary 24VDC (#1) Blue (05/2012-Present)
√ 4	8074962	Actuator, Rotary 24VDC (#2) Black (05/2012-Present)
√ 5	8104353	Valve, 1¼ Drain Rotary Actuator LOV™ (05/2012-Present)
√ 6	8103754	Valve, ½ NPT Return Rotary Actuator LOV™ (05/2012-Present)
7	8130165	Elbow, Street ½" x ½" NPT 90° BM
8	8101668	Adaptor, Male ⅝" OD x ½"
9	8101055	Flexline, ⅝" OD x 11.50" Long
√ 10	8262706	Probe, RTD AIF/ATO Kit
√ 11	8263196	Probe, Temperature Kit
√ 12	8074815	Sensor Assy, Oil 120V
	8074947	Sensor Assy, Oil 220V <i>International</i>
	8074935	Sensor Assy, Oil 230V <i>International</i>
	8074942	Sensor Assy, Oil 240V and 250V <i>International</i>
√ 13	8261177	Thermostat Assembly, HE High-Limit 425°F/218°C Standard

√ Recommended parts.

1.8 Oil Return Manifolds

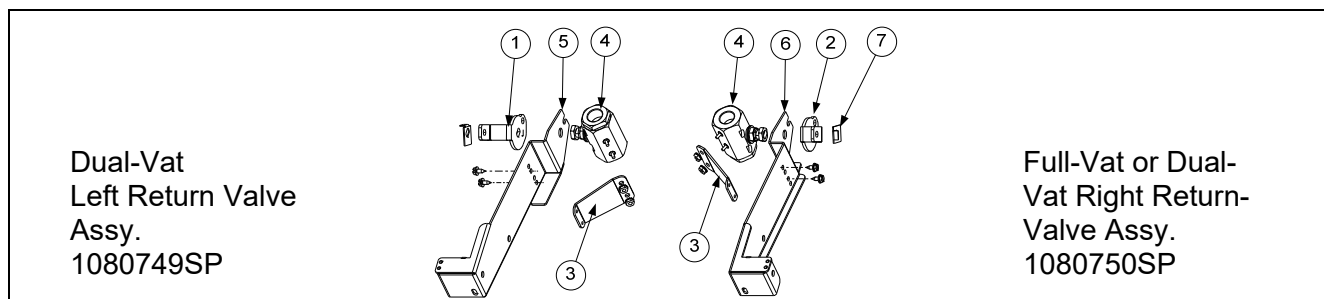


ITEM	PART #	COMPONENT
1	8103275	Manifold, Two-Station Fryer
2	8103245	Manifold, Three-Station Fryer
3	8103368	Manifold, Four-Station Fryer
*	8130907	Cap, 15/16-inch Valve

* Not illustrated

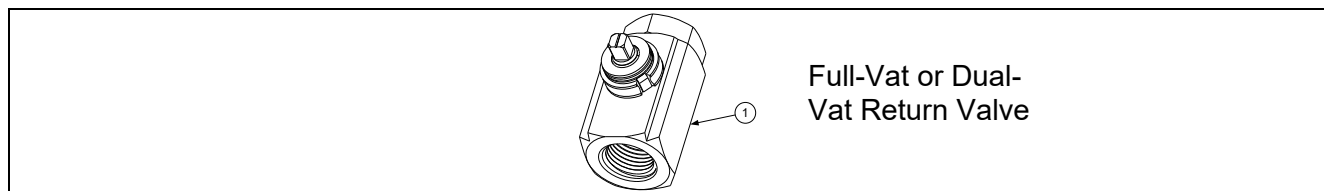
1.9 Return Valves and Associated Parts

1.9.1 Return Valves and Associated Parts (Linear Actuators) (02/2010-04/2012)



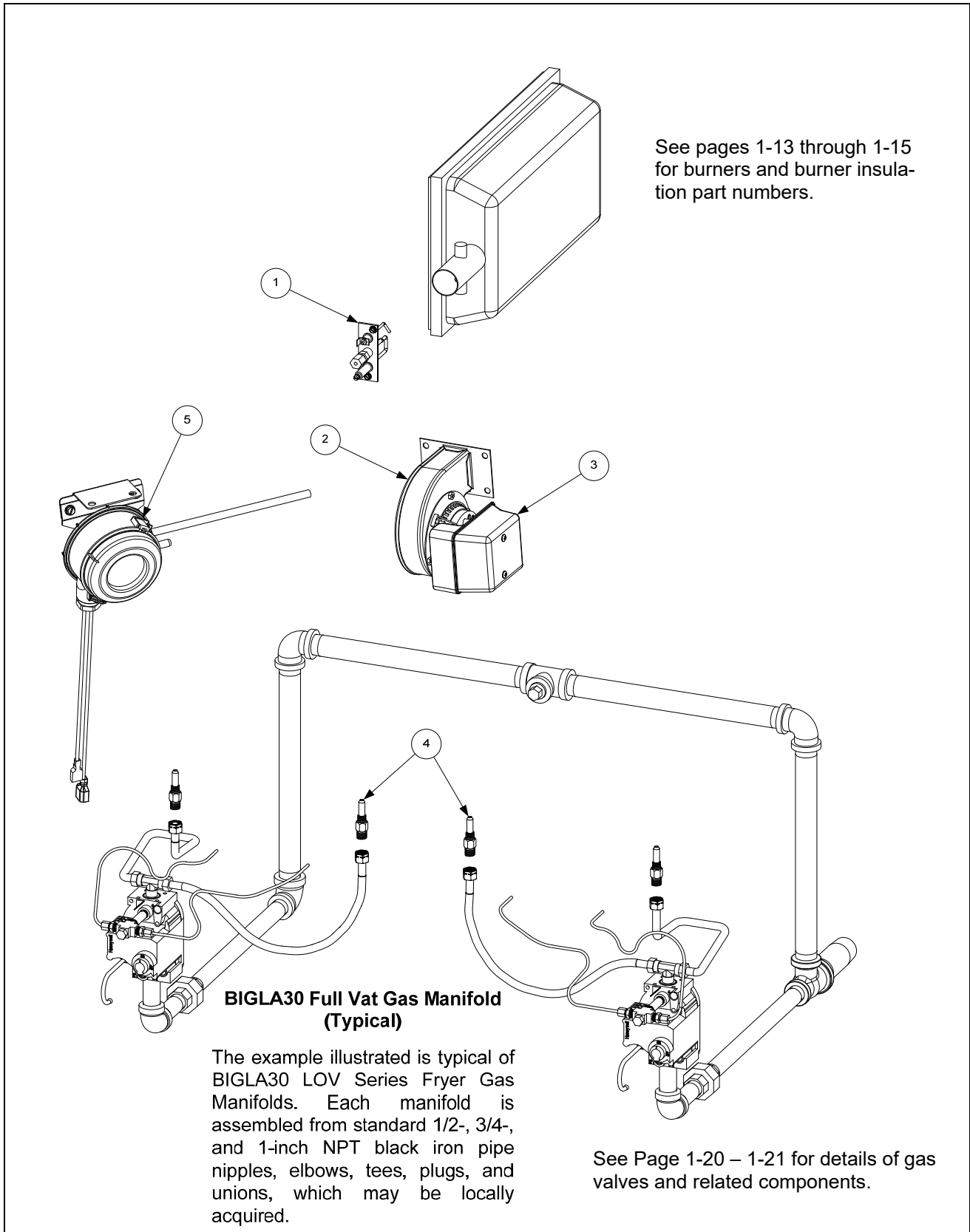
ITEM	PART #	COMPONENT
1	2316295	Handle, Return Valve Gas LOV™ DV Left
2	2326295	Handle, Return Valve Gas LOV™ FV or DV Right
3	2306011	Brace, Gas Return Actuator Bracket
4	8102201	Valve, 1/2-inch Ball (02/2010-04/2012)
5	8237273	Mount, Gas Return Actuator LH
6	8237274	Mount, Gas Return Actuator RH
7	9002935	Retainer, Nut Oil Return Valve

1.9.2 Return Valve (Rotary Actuators) (05/2012-Present)



ITEM	PART #	COMPONENT
1	8103754	Valve, 1/2-inch NPT Rotary Actuator (05/2012-Present)

1.10 Gas Supply and Combustion System Components



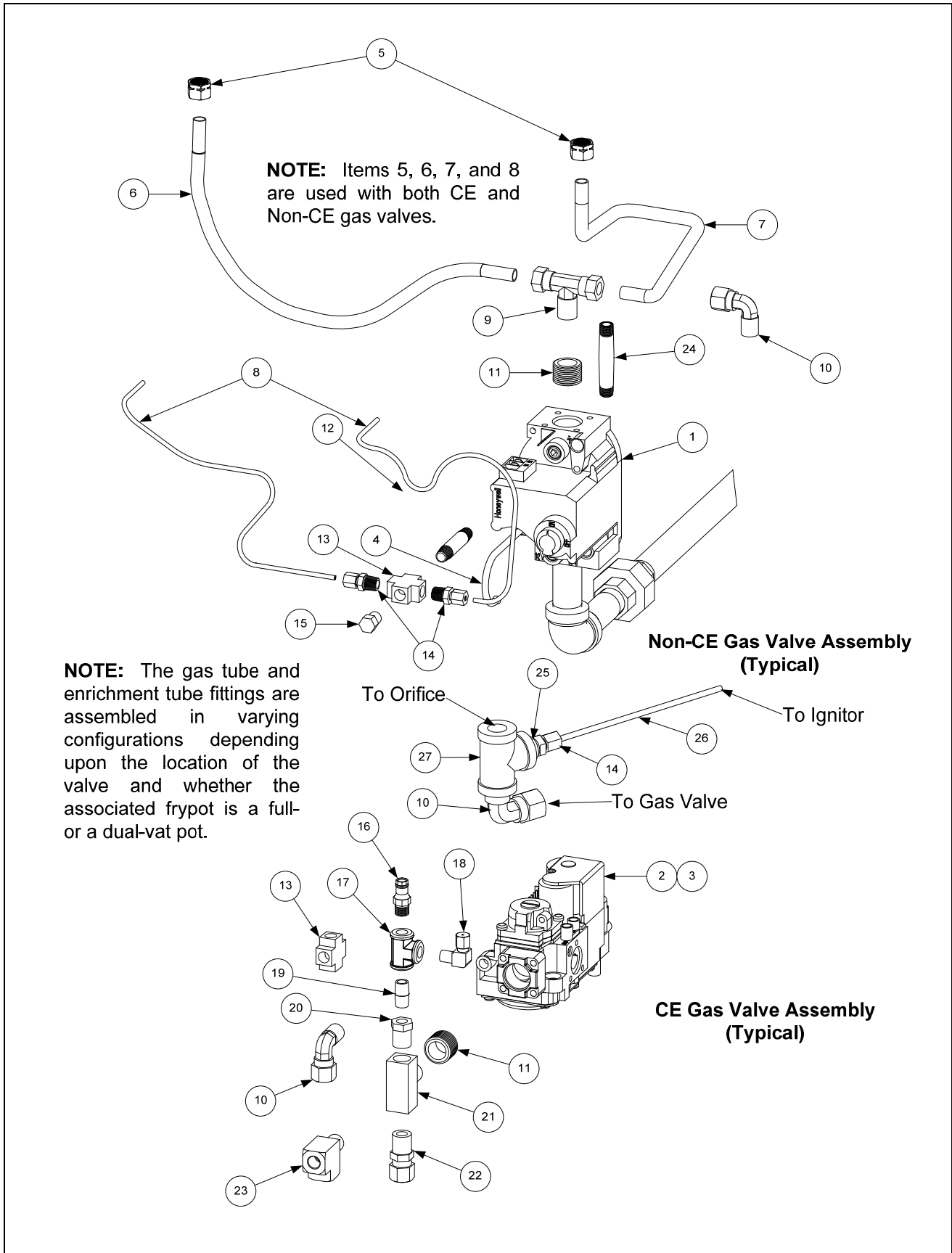
1.10 Gas Supply and Combustion System Components cont.

ITEM	PART #	COMPONENT
√ 1		Ignitor
	8263549	Natural Gas (G20, G25) (includes gasket 8160981, which may be ordered separately)
	8263550	Propane (G30, G31) (includes gasket 8160981, which may be ordered separately)
√ 2		Blower Assembly, Combustion Air (includes harness and Item 3)
	1087153SP	115V 50/60 Hz (Right)
	1087155	220V 60 Hz (Right)
	1062998SP	208-240V 50/60 Hz (Right) Non-CE International
	1082360SP	230V 50Hz CE FV Australia
	1082361SP	230V 50Hz (Right) CE DV Australia
	1063001SP	230V 50/60 Hz CE (Right) CE (Wide Body)
3	8160554	Cover, Blower Motor (component of most blowers listed above)
*	8068806SP	Harness Assembly, Blower Motor (component of all blowers listed above)
4		Orifice, Burner
		**For fryers manufactured OCT 2010 and after. NPT Threads
	8103977	1.88mm 75% Butane/25% Butane (Standard Elevation)
**	8103865	1.95mm Propane/Butane (G30, G31) Australia Only
**	8103860	2.05 mm Propane/Butane (G30, G31) (0-4999 Ft, 0-1524 M)
**	8103863	2.10 mm Propane/Butane (G30, G31) (5000-6999 Ft, 1525-2133 M)
**	8103867	2.84mm Natural Gas (G20, G25) Australia Only DV
**	8103866	2.92mm Natural Gas (G20, G25) Australia Only FV
**	8103864	3.18 mm Natural Gas (G20, G25) (0-4999 Ft, 0-1524 M) CE, Non-CE
**	8103861	3.26 mm Natural Gas (G20, G25) (0-4999 Ft, 0-1524 M)
**	8103862	3.40 mm Natural Gas (G20, G25) (5000-6999 Ft, 1525-2133 M)
**	8262965	Conversion Kit, Natural Gas FV (G20, G25) to Propane/Butane(G30,G31) Non-CE
**	8262966	Conversion Kit, Natural Gas DV (G20, G25) to Propane/Butane(G30,G31) Non-CE
**	8262967	Conversion Kit, Propane/Butane FV(G30, G31) to Natural Gas (G20,G25) Non-CE
**	8262968	Conversion Kit, Propane/Butane DV(G30, G31) to Natural Gas (G20,G25) Non-CE
**	8262969	Conversion Kit, Nat Gas FV (G20, G25) to Prop/Butane(G30,G31) Aust Non-CE
**	8262970	Conversion Kit, Nat Gas DV (G20, G25) to Prop/Butane(G30,G31) Aust Non-CE
**	8262971	Conversion Kit, Prop/But FV(G30, G31) to Natural Gas (G20,G25) Aust Non-CE
**	8262972	Conversion Kit, Prop/But DV(G30, G31) to Natural Gas (G20,G25) Aust Non-CE
**	8262975	Conversion Kit, Nat Gas (G20, G25) to Prop/Butane(G30,G31) CE
**	8262976	Conversion Kit, Prop/But (G30, G31) to Natural Gas (G20,G25) CE
		† For fryers manufactured prior to OCT 2010
†	8121138	1.85 mm Propane/Butane (G30, G31) (0-4999 Ft, 0-1524 M) (CE)
†	8121137	1.95mm Propane/Butane (G30, G31) Australia Only
†	8100416	2.05 mm Propane/Butane (G30, G31) (0-4999 Ft, 0-1524 M)
†	8100386	2.10 mm Propane/Butane (G30, G31) (5000-6999 Ft, 1525-2133 M)
†	8121135	2.15 mm Propane/Butane (G30, G31) (7000-10,999 Ft, 2134-3352 M)
†	8103840	2.84mm Natural Gas (G20, G25) Australia Only DV
†	8103839	2.92mm Natural Gas (G20, G25) Australia Only FV
†	8103740	3.18 mm Natural Gas (G20, G25) (0-4999 Ft, 0-1524 M) CE
†	8103269	3.26 mm Natural Gas (G20, G25) (0-4999 Ft, 0-1524 M)
†	8100403	3.40 mm Natural Gas (G20, G25) (5000-6999 Ft, 1525-2133 M)
†	8120909	3.45 mm Natural Gas (G20, G25) (7000-8999 Ft, 2134-2743 M)
†	8121133	3.50 mm Natural Gas (G20, G25) (9000-10,999 Ft, 2744-3352 M)
√ 5	1081455SP	Switch, Air Pressure Assembly DV (8122141 switch alone)
√	1083346	Switch, Air Pressure Assembly FV (8122226 switch alone)

* Not illustrated.

√ Recommended parts.

1.11 Gas Valves and Associated Components

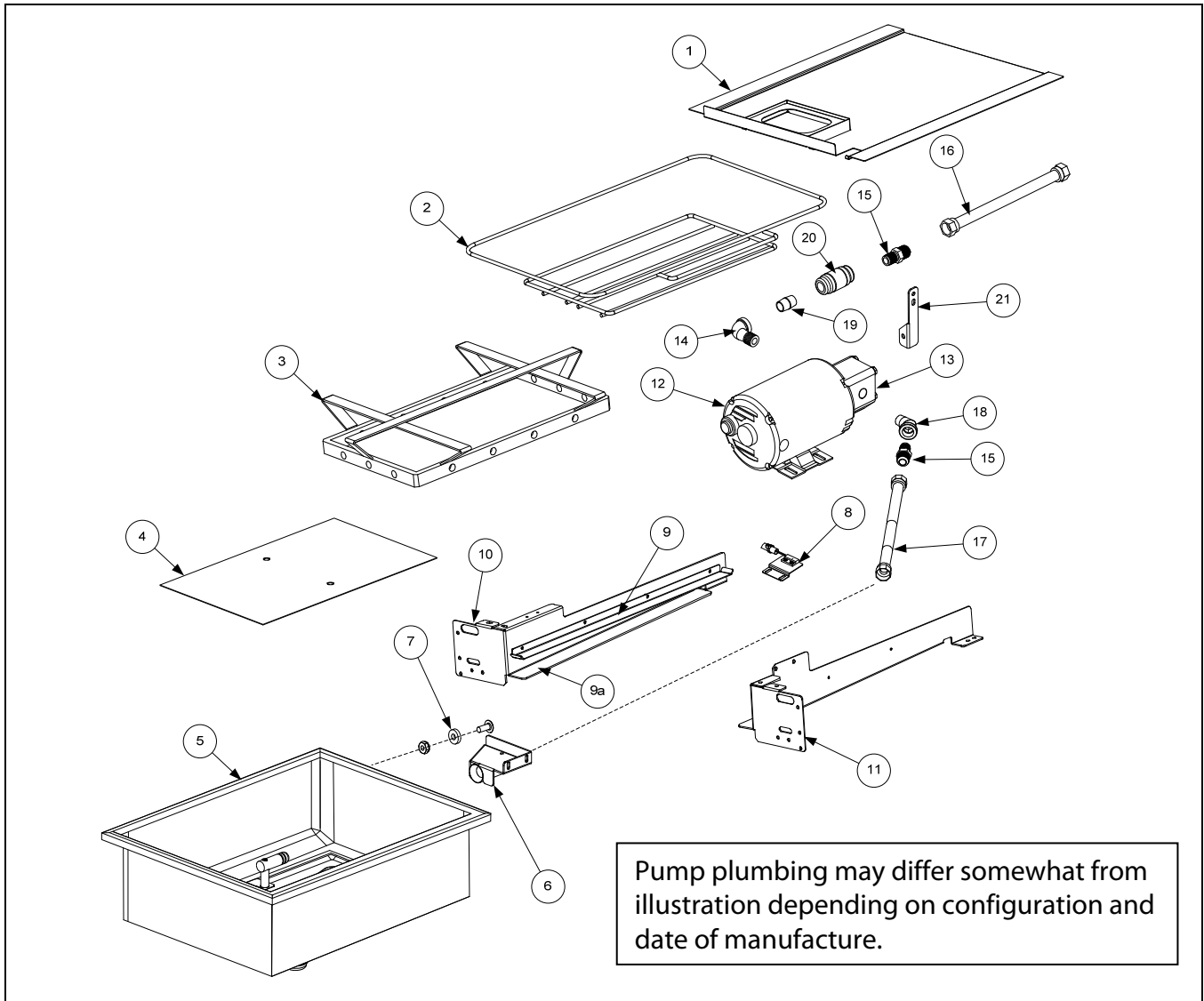


1.11 Gas Valves and Associated Components cont.

ITEM	PART #	COMPONENT
√ 1		Valve, Non-CE Gas
	8261122	Natural Gas (G20, G25)
	8261120	Kit Natural Gas w/ flexlines and hardware
	8261123	Propane Gas (G30, G31)
	8261121	Kit, Propane Gas w/ flexlines and hardware
√ 2	8101715	Valve, CE Gas (G20, G25, G30, G31)
3	8101041	Accessory Kit (contains parts to adapt Item 2 to specific fryer configuration)
4	8100691	Tube, 1/8-inch Vent
5	8100494	Ferrule (Nut), Orifice
6	8101355	Gas Line, 3/8-inch OD X 15-inch SS Flexible
7	8101354	Gas Line, 3/8-inch OD X 12-inch SS Flexible
	8101353	Gas Line, 3/8-inch OD X 9-inch SS Flexible (Used on some split pots)
8	8110800	Tube, 1/8-inch OD X 12.5-inch Enrichment (cut and form to fit)
*	8103807	Tube, 1/8-inch OD X 6.5-inch Enrichment (Used after Oct 2010)
9	8130301	Tee, 1/4-inch Male NPT to 3/8-inch Tube
10	8130302	Elbow, 1/4-inch Male NPT to 3/8-inch Tube 90° (used on DV valve)
11	8130304	Bushing, 1/2-inch NPT to 1/4-inch NPT Flush Reducing
12	8130405	Nipple, 1/8-inch NPT X 2-inch
13	8130378	Fitting, 1/8-inch NPT Cross
14	8130340	Adapter, 1/8-inch NPT to 1/8-inch Tube
15	8130154	Plug, 1/8-inch NPT Hex Head Pipe
16	8101176	Tap, 1/8-inch NPT Pressure
17	8130377	Tee, 1/8-inch NPT Female
18	8130354	Elbow, 1/8-inch NPT X 1/8-inch Tube Compression
19	8130016	Nipple, 1/8-inch NPT X Close
20	8101006	Bushing, 1/4-inch NPT to 1/8-inch NPT Reducing
21	8130495	Tee, 1/4-inch Male NPT to Female NPT
22	8101025	Connector, 1/4-inch Male NPT to 3/8-inch Tube
23	8101026	Tee, 1/4-inch Male NPT to Female NPT Street
24	8130700	Nipple, 1/4-inch NPT x 3-inch
25	8103147	Bushing, 3/4-inch OD x 1/2 -inch ID NPT Flush
26	8103807	Tube, FPGL Gas Enrichment
27	8130449	Tee, 1/4 -inch NPT Brass

√ Recommended parts.

1.12 Filtration System Components



ITEM	PART #	COMPONENT
1	8237602	Lid, Multi-Vat Fryers, Standard Size Filter Pan
	8237502	Lid, Two-Vat Fryer, Half Size Filter Pan
2	8103276	Crumb Tray, Standard Size Filter Pan 3, 4 and 5 Vat
	8103288	Crumb Tray, Two-Vat Fryer, Half Size Filter Pan
3	8103268	Hold-Down Ring 16.56" x 22.32", Standard Size Pan (3, 4, and 5 Vat Fryers)
	8103289	Hold-Down Ring 11.20" x 19.10", Half Size Filter Pan (2-Vat Fryer)
4	2002240	SanaGrid Filter Screen, Standard Size Filter Pan
	2202901	SanaGrid Filter Screen, Two-Vat Fryer, Half Size Filter Pan
5	1081209SP	Pan, One-Piece Filter LOV™ Standard Size (Use 1069148 for French Pan)
	1068211SP	Pan, Two-Vat Fryer, LOV™ Half Size
√ *	8261392	O-Ring (Pkg. of 5; used with Item 5)
*	8130568	Plug, 1/8-inch Socket Head Pipe (used with Item 5; two required)
6	8233879	Suction Tube Standard LOV™
	8236458	Suction Tube Two Vat LOV™
7	8103007	Magnet, Pull Ring

* Not illustrated. √ Recommended parts

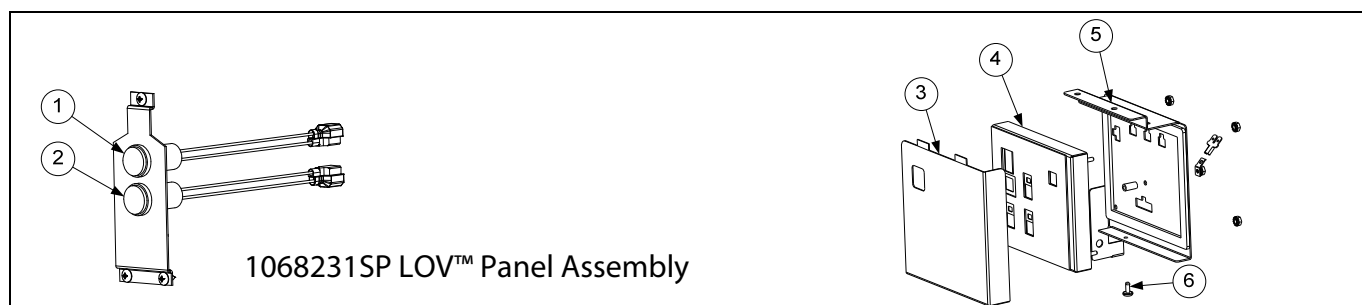
1.12 Filtration System Components cont.

ITEM	PART #	COMPONENT
8	1082218SP	Assembly, Filter Pan Switch 3, 4 and 5 Battery
	1080839SP	Assembly, Filter Pan Switch 2 Battery
√ *	1065876SP	Sensor, Magnet
9	2203879	Rail, Filter Pan Retaining Standard
	2314821	Rail, Filter Pan Retaining Two Vat Left (use 2324822 for Right)
9a	2304820	Rail, RH LH Lower Two Vat
10	2207911	Support, Left Filter Pan
	2207909	Support, Left Filter Pan Two Vat LOV™
11	2207912	Support, Right Filter Pan
	2207910	Support, Right Filter Pan Two Vat LOV™
√ 12		Motor and Gasket Kit
	8261785	100V 50/60 Hz
	8261712	115V 50/60 Hz
	8261756	208V 50/60 Hz
	8261270	220-240V 50/60 Hz
	8261755	250V 50/60 Hz
√ 13	8263191	Pump and Gasket Kit, 4 GPM
	8160093	Gasket, Pump/Motor
*	8091062	Cap Screw, 5/16-inch-18 4.00" NC Hex (<i>Connects pump to motor use 8090194 washers</i>)
14	8130165	Elbow, ST ½-inch x ½-inch NPT 90° BM
15	8101668	Adapter, ⅝-inch to ½-inch NPT Male
16	8101067	Flexline, 8.5-inch Oil Return
17	8101057	Flexline, 13-inch Oil Return
18	8130342	Elbow, Street 45° x ½-inch NPT
19	8130002	Nipple, ½-inch x Close NPT BM
20	8100667	Check Valve ½-inch NPT
21	2206190	Brace, Pump Motor
*	8071105	Heater Strip Assembly, 100-120V 25W 18"
*	8071098	Heater Strip Assembly, 208-250V 25W 18"

* Not illustrated. √ Recommended parts.

1.13 Auto Intermittent Filtration Components

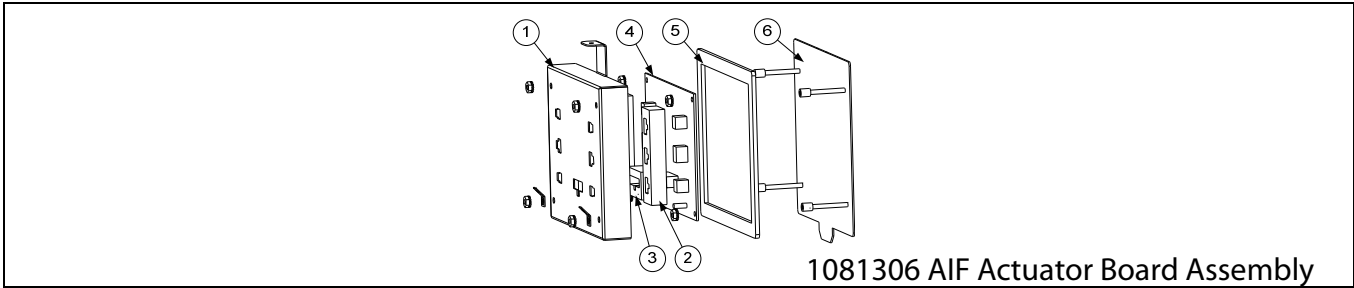
1.13.1 LOV™ Indicator Light and MIB (Manual Interface Board) Assembly



ITEM	PART #	COMPONENT
1	1068106SP	Light, Blue 24VDC LED Flush
2	1068105SP	Light, Yellow 24VDC LED Flush
3	2206554	Cover, MIB
√ 4	1082158SP	Assembly, MIB Computer w/ Metalwork (use 8074481 for overlay)
5	1069999	Assembly Back, Box MIB
6	8091021	Screw, 10x 3/8 Torx Pan

√ Recommended parts.

1.13.2 AIF (Automatic Intermittent Filtration) Linear Actuator Board Assembly and ATO (Auto Top-Off) Components



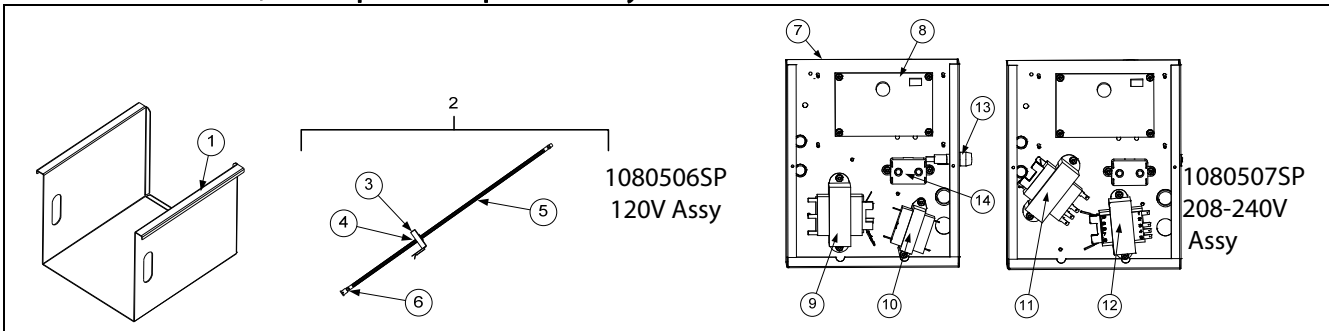
1081306 AIF Actuator Board Assembly

ITEM	PART #	COMPONENT
√	1081306	AIF Assembly
1	8241991	Cover, Linear Actuator Board
2	8160814	Gasket, Linear Actuator Board
3	8160815	Gasket, Computer Board
4	1081304	Board, AIF Linear Actuator
5	8160820	Seal, Linear Actuator Board
6	1080097	Box, Linear Actuator Stud

√ Recommended parts.

1.14 ATO (Auto Top-Off) Components

1.14.1 JIB Cradle, JIB Cap/ Pick-Up Assembly and ATO Board Assemblies

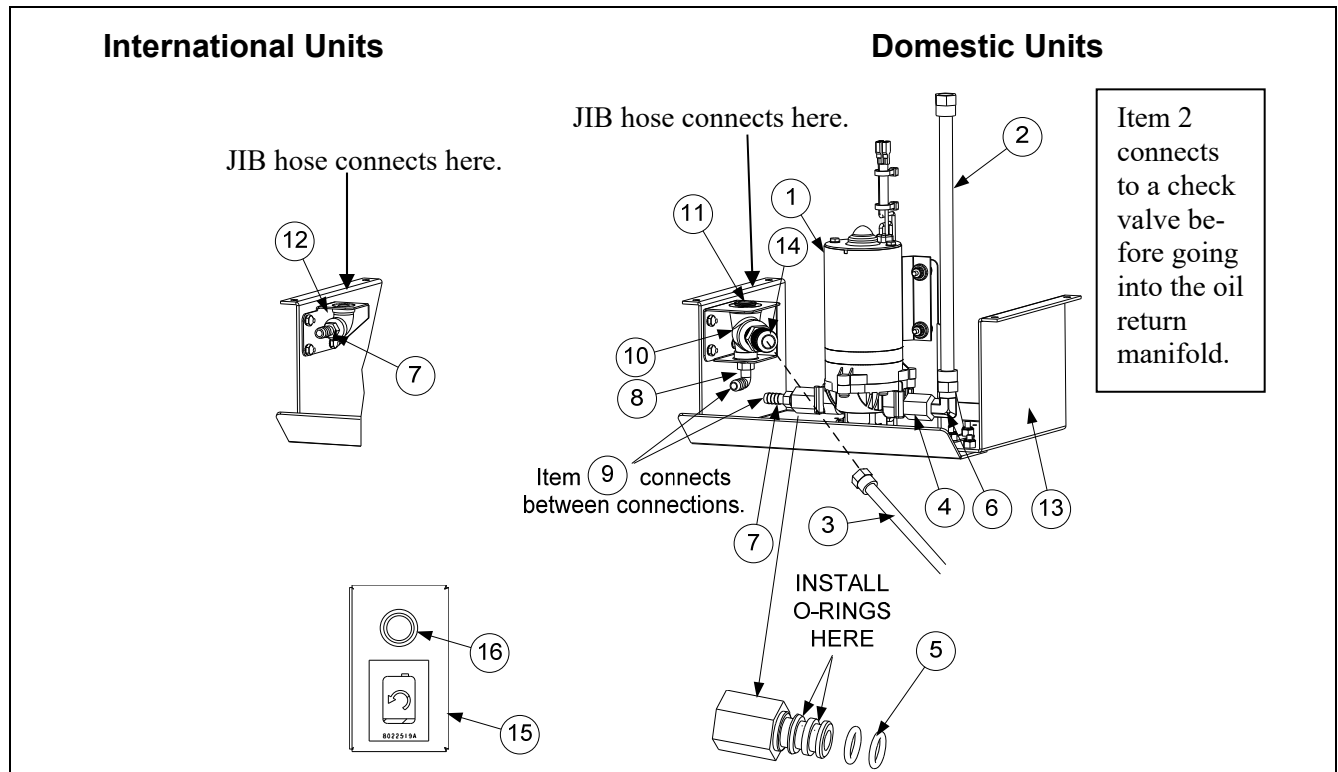


ITEM	PART #	COMPONENT
1	2208363	Cradle, JIB Gas LOV™
2	1082005SP	Cap, JIB Assembly (use 1082002SP for BIB [Europe])(use 1087215SP Middle East)
3	1082001SP	Cap, JIB (use 8239175 for BIB [Europe]) (use 8122390 Metal Cap Middle East)
4	8072469	Bushing, Heyco (use 8104716 Middle East)
5	8103823	Hose, JIB
6	8237738	Tip Assy (use 8238742 for BIB [Europe] and Middle East)
7	1080653	Box, Assembly Auto Top Off Board (used 2401650 for ATO Box Cover)
√ 8	1081279	PCB Board, Automatic Top Off
√ 9	8072181	Transformer, 100-120V/24V 62VA
√ 10	8070855	Transformer, 120V 50/60-12V 20VA
√ 11	8072180	Transformer, 208-240V/24V 50VA
√ 12	8072191	Transformer, 208/230/240 -12V 30VA
13	8071321	Holder, Fuse AGC Panel Mount ¼"
√ *	8071597	Fuse, 3A Slow-Blow
√ 14	8070012	Relay, 18AMP 1/3 HP 24V Coil (Top off pump)

* Not illustrated. √ Recommended parts.

NOTE: Top off boxes for vats 4 and 5 have either item 9 or item 11, both have item 8.

1.14.2 ATO Pump Assembly

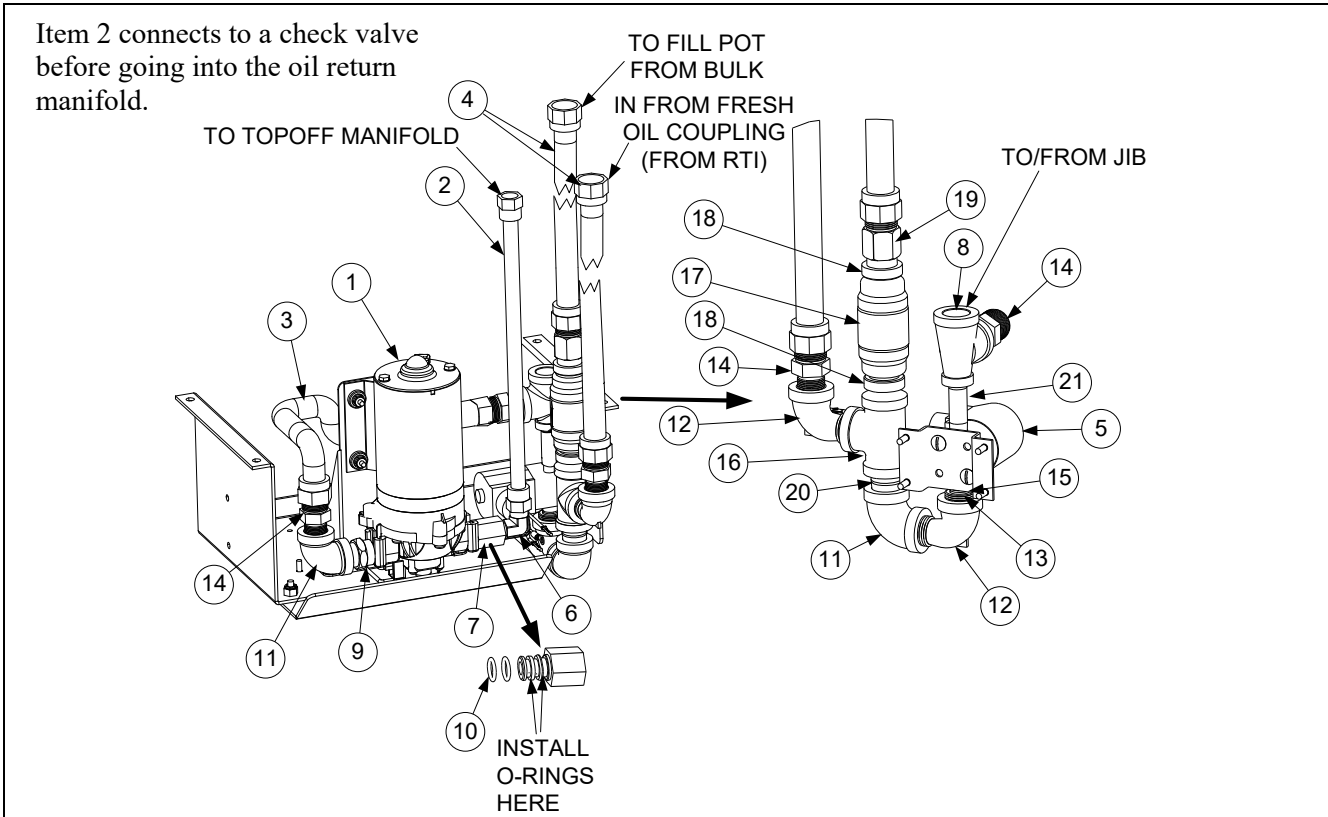


ITEM	PART #	COMPONENT
√ 1	1080639	Pump, Shurflo 24VAC (use 1085673 for CE)
2	8103263	Flexline, 1/2" OD x 36-inch (Out to oil check valve and to return manifold)
	8103375	Flexline, 1/2" OD x 17-inch (Out to oil check valve and to return manifold) Two battery only)
*	8100667	Check valve, 1/2 NPT 1 PSI
3	8101069	Flexline, 5/8" OD x 29.5-inch 2-Battery(In from RTI fresh oil solenoid) Domestic units only
	8103669	Flexline, 5/8" OD x 45-inch 3, 4 and 5-Battery(In from RTI fresh oil solenoid) Domestic units only
4	8103666	Fitting, Shurflo Pump
5	8160782	O-Ring, Viton #111
6	8130940	Elbow, 1/4" NPT x 3/8 Flare
7	8103770	Fitting, 1/4" NPT Male Barb
8	8160710	Fitting, Elbow 1/4" NPT x 1/2" Barb
9	8111139	Hose, Silicone Braided 5"
10	8237380	Bracket W/A, RTI Gas JIB Connection
11	8130304	Bushing, 1/2" x 1/4" BM Flush
12	8237167	Bracket W/A, GL 30 JIB Connection
13	1082234	Stud Assy, 2 Battery Topoff Tray
	1082238	Stud Assy, 3, 4, and 5 Battery Topoff Tray
14	8101668	Adaptor, Male 5/8" OD x 1/2"
15	1069206SP	Assembly, JIB Reset Button Bracket
√ 16	8074678	Switch, Momentary JIB Reset

* Not illustrated.

√ Recommended parts.

1.14.3 ATO Pump Assembly Service Kit (Larger Top Off Lines)

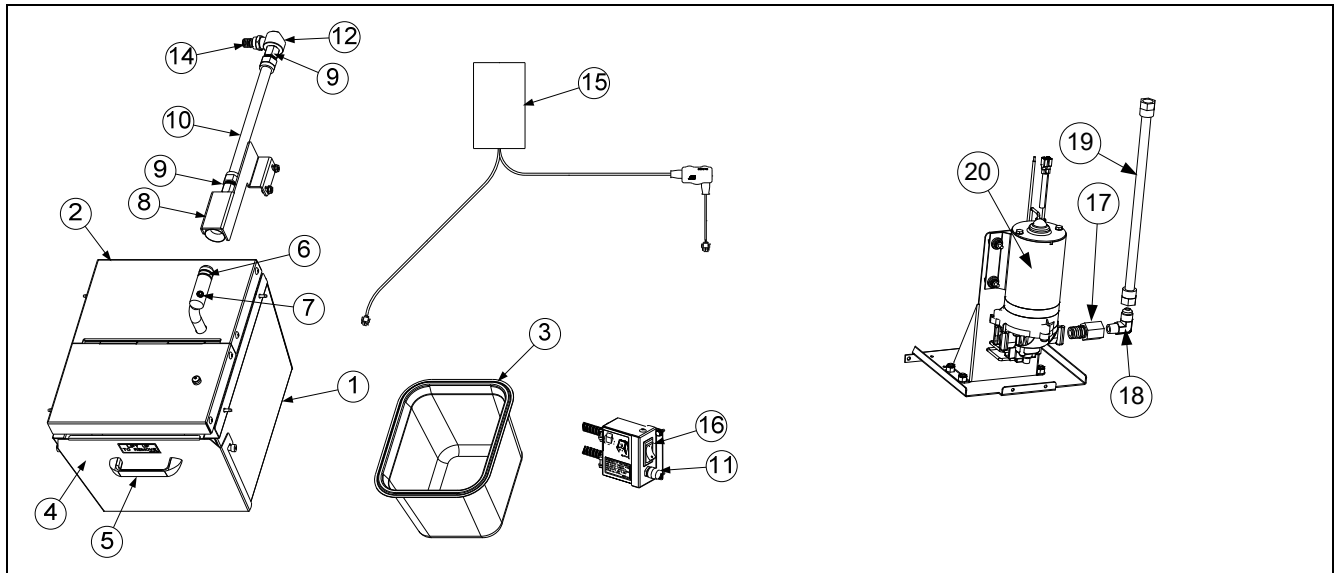


ITEM	PART #	COMPONENT
	1083392SP	Pump, Assy GL230 RTI ATO (use 1083447 for GL330 RTI ATO)
√ 1	1080639	Pump, Shurflo 24VAC (use 1085673 for CE)
2	8103263	Flexline, 1/2" OD x 36-inch (Out to oil check valve and to return manifold)
	8103375	Flexline, 1/2" OD x 17-inch (Out to oil check valve and to return manifold) Two battery
*	8100667	Check valve, 1/2 NPT 1 PSI
3	8101055	Flexline, 5/8" OD x 11.50-inch (Inlet to Top Off Pump) Domestic units only
4	8101369	Flexline, 5/8" OD x 17.50-inch
5	1066830SP	Solenoid
6	8130940	Elbow, 1/4" NPT x 3/8 Flare
7	1083403	Fitting, Shurflow Connect
8	8130530	Tee, Reducing 1/2" x 1/4" x 1/2" (JIB hose connects here)
9	1082054SP	Fitting Assy, Shurflow Connect
10	8160782	O-Ring, Viton #111
11	8130062	Elbow, 1/2" BM 90°
12	8130165	Elbow, Street 1/2" x 1/2" NPT 90° BM
13	8130304	Bushing, BM Flush
14	8101668	Adaptor, Male 5/8" OD x 1/2"
15	8130838	Nipple, 1/4" NPT BM Close
16	8130003	Tee, 1/2" x 1/2" x 1/2" BM
17	8103583	Check Valve 1/2" NPT 4 PSI
18	8103738	Adapter, Check Valve Close NPT
19	8101669	Adapter, Female 7/8" OD x 1/2"
20	8130022	Nipple, 1/2" x Close NPT BM
21	8130537	Nipple, 1/4" x 2.00" NPT

* Not illustrated.

√ Recommended parts.

1.14.4 Shortening Melting Unit

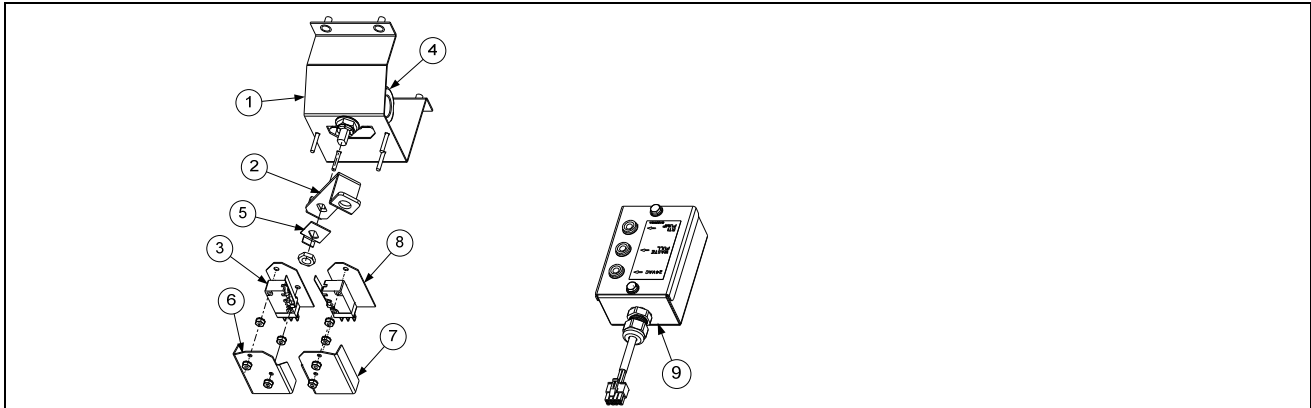


ITEM	PART #	COMPONENT
	1083406SP	Assembly, Heated Shortening
1	1082983	Box Assembly, Heated Shortening
2	1083001	Assembly, Heated Shortening Lid
3	8103957	Pan, Heated Shortening
4	1083372SP	Cover, Shortening Box Front
5	8100180	Handle
√ 6	8261392	O-Ring (Pkg. of 5)
7	8130568	Plug, 1/8-inch Socket Head Pipe
8	8238079	Bracket W/A, Shortening Suction 3 battery
	8238147	Bracket W/A, Shortening Suction 4 battery
9	8101669	Adaptor, Female 7/8" OD x 1/2"
10	8101055	Flexline, 5/8" OD x 11.5-inch
11	8071321	Holder, Fuse
√ *	8071555	Fuse 5 Amp
12	8130908	Adapter, 1/2" NPT 90°
13	8103820	Fitting, Quick Connect Shurflo Pump
14	8160782	O-Ring, Viton #111
15	8075268	Strips, Hot Box Heater with controller
16	8074036	Switch
*	8071098	Heater Strip Assembly, 240V, 25W 18"
*	8071419	Heater Strip Assembly, 240V, 45W 36"
*	8071473	Heater Strip Assembly, 240V, 70W 56"
17	8103578	Fitting, LOV Shurflo Pump
*	8160782	O-Ring, Viton #111
18	8130940	Elbow, 1/4" NPT x 3/8 Flare
19	8103375	Flexline, 1/2" OD x 17-inch (Out to oil return manifold)
20	1080639	Pump, Shurflo 24VAC (use 1085673 for CE)

* Not illustrated. √ Recommended parts.

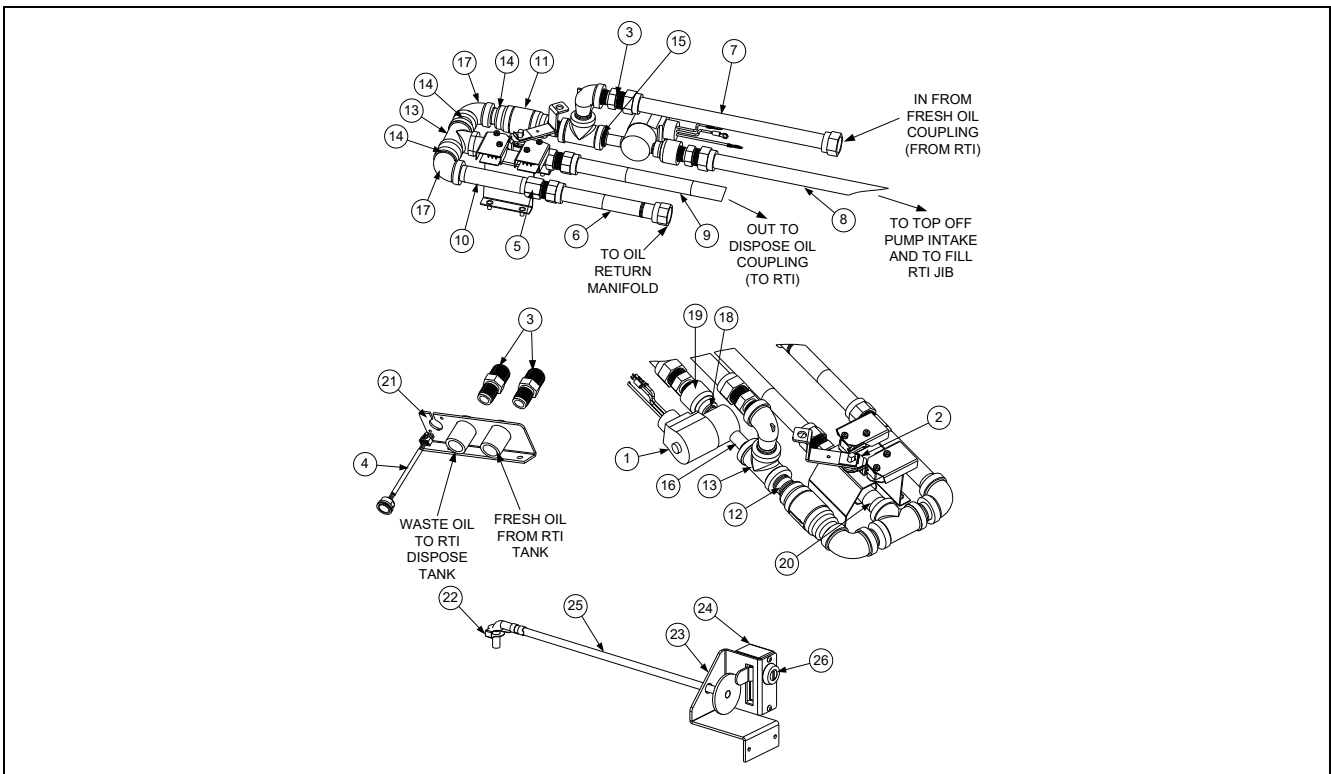
1.15 RTI System Components

1.15.1 RTI Dispose Waste Valve and Test Box



ITEM	PART #	COMPONENT
	1081433	Valve, RTI Dispose Waste
1	1081437	Bracket, RTI Waste Valve
2	2205899	Handle, RTI Waste Valve
3	8074936	Microswitch, Gold Sealed
4	8100278	Valve, 1/2" Ball
5	9002935	Retainer, Nut Return Valve
6	9012348	Cover, DV Safety Switch
7	9022348	Cover, DV Safety Switch
8	8160220	Insulation, RF Switch
9	1080716SP	Box, LOV™ RTI Test

1.15.2 RTI Manifold and Accessories Prior to Oct. 2010

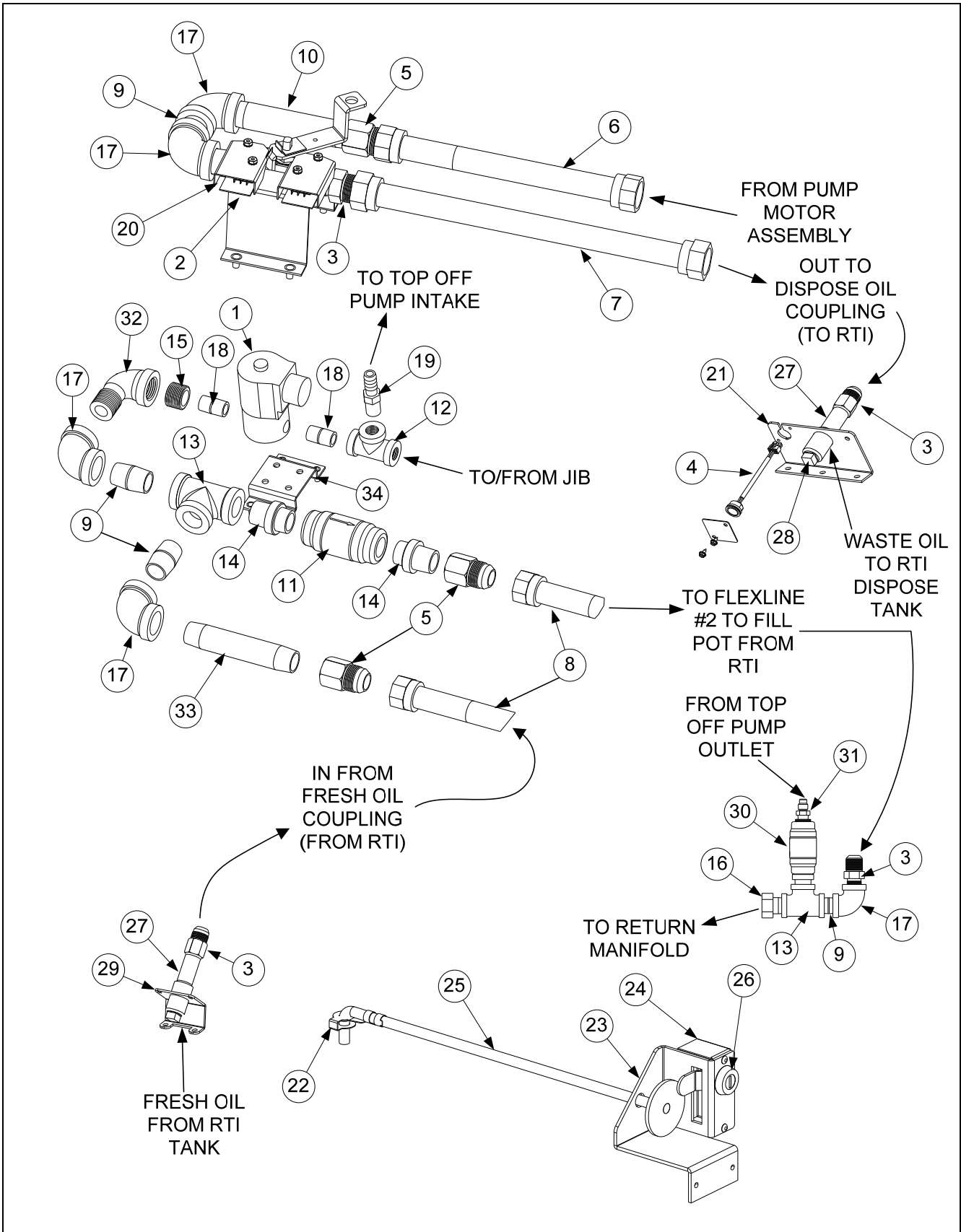


1.15.2 RTI Manifold and Accessories prior to Oct 2010 cont.

ITEM	PART #	COMPONENT
√ 1	1066830SP	Solenoid Assembly
2	1081433	Valve, RTI Waste Assembly (see page 1-29 for parts)
3	8101668	Adaptor, Male 5/8" OD x 1/2"
4	8074760	Harness, RTI – MIB connection
5	8101669	Adaptor, Female 5/8" OD x 1/2"
6	8101680	Flexline, 5/8" OD x 6.50-inches long <i>(used on 3, 4 and 5 battery units)</i>
	8101055	Flexline, 5/8" OD x 29-inches long <i>(used on 2 battery units)</i>
7	8101055	Flexline, 5/8" OD x 11.50-inches long
8	8103669	Flexline, 5/8" OD x 45-inches long <i>(used on 3, 4 and 5 battery units)</i>
	8101069	Flexline, 5/8" OD x 29-inches long <i>(used on 2 battery units)</i>
9	8101057	Flexline, 5/8" OD x 13-inches long
10	8130251	Nipple, 1/2" x 4.50-inches NPT BM <i>(used on 3, 4 and 5 battery units)</i>
11	8103583	Valve, Check 1/2" NPT 4 PSI RTI Manifold
12	8130087	Nipple, 1/2" x 1.50-inches NPT BM
13	8130003	Tee, 1/2" x 1/2" x 1/2" BM
14	8103738	Adaptor, Check Valve Close Nipple
15	8130304	Bushing, 1/2" x 1/4"
16	8130571	Nipple, 1/4" x 1.50-inches NPT BM
17	8130062	Elbow, 1/2" BM 90°
18	8130838	Nipple, 1/4" NPT
19	8130555	Reducer, Bell Fitting, 1/2" to 1/4" NPT BM
20	8130298	Nipple, 1/2" x 2-inches NPT BM
21	8237205	Bracket W/A, Gas LOV™ RTI
	1080686SP	Handle and Lock Assy, Gas LOV™ RTI
22	8090657	Clip, Clevis Right Rod End
23	2205656	Brace, RTI Handle
24	2205657	Cover, RTI Handle
25	8237208	Handle, Gas LOV™ RTI Waste Pull
26	8103587	Lock, RTI Waste Handle (includes keys)

√ Recommended parts.

1.15.3 RTI Manifold and Accessories after Oct. 2010

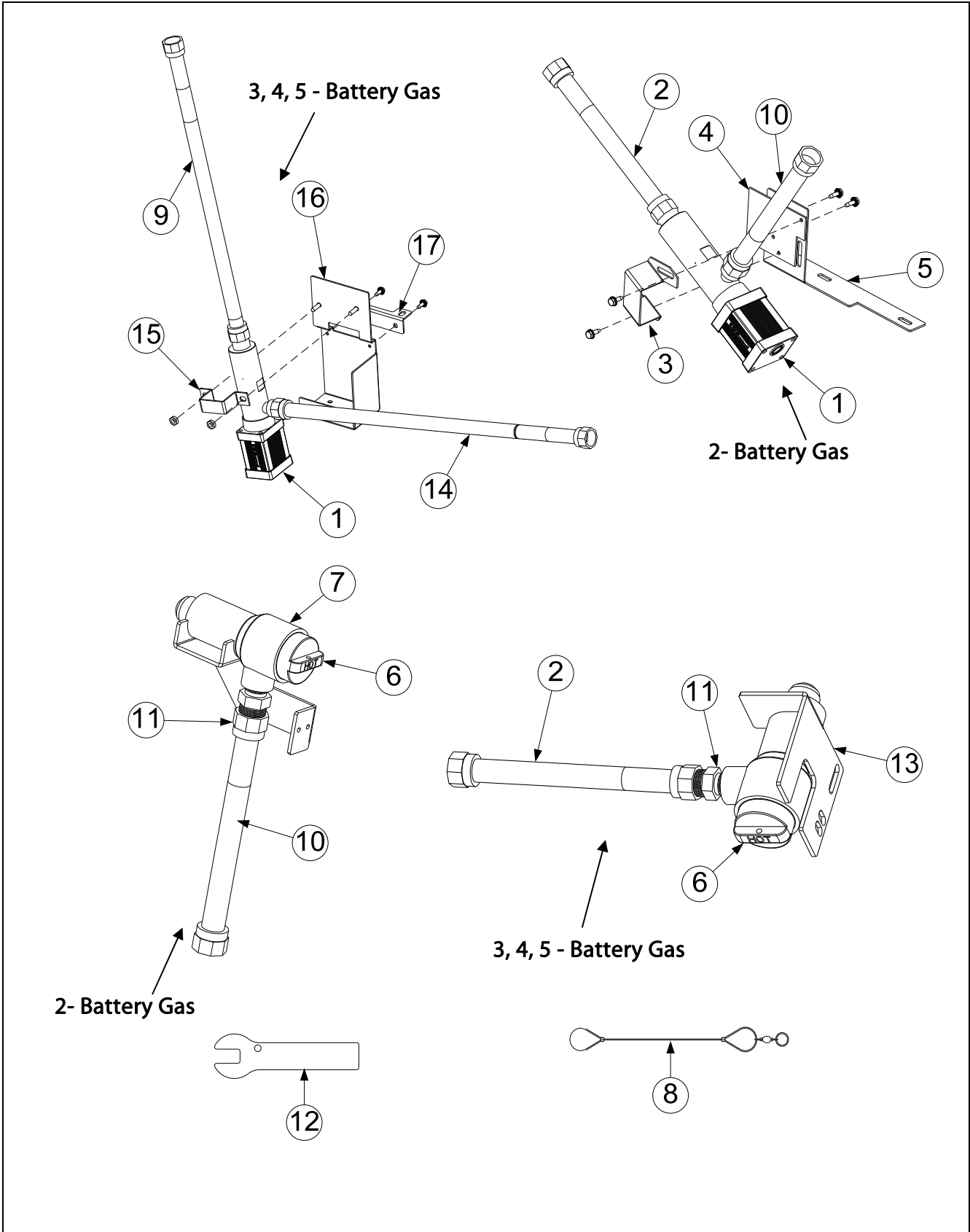


1.15.3 RTI Manifold and Accessories after Oct 2010 cont.

ITEM	PART #	COMPONENT
√ 1	1066830SP	Solenoid Assembly
2	1081433	Valve, RTI Waste Assembly (see page 1-29 for parts)
3	8101669	Adaptor, Male 5/8" OD x 1/2"
4	8074760	Harness, RTI – MIB connection
5	8101669	Adaptor, Female 5/8" OD x 1/2"
6	8101067	Flexline, 5/8" OD x 8.50-inches long (used on 3, 4 and 5 battery units)
	8101057	Flexline, 5/8" OD x 13-inches long (used on 2 battery units)
7	8101055	Flexline, 5/8" OD x 11.50-inches long
8	8101369	Flexline, 5/8" OD x 17.50-inches long
9	8130022	Nipple, 1/2" x Close NPT BM
10	8130251	Nipple, 1/2" x 4.50-inches NPT BM (used on 3, 4 and 5 battery units)
11	8103583	Valve, Check 1/2" NPT 4 PSI RTI Manifold
12	8130958	Tee, 1/4" NPT BM
13	8130003	Tee, 1/2" x 1/2" x 1/2" BM
14	8103738	Adaptor, Check Valve Close Nipple
15	8130304	Bushing, 1/2" x 1/4"
16	8103160	Adaptor, 1/2" NPT x 15/16"
17	8130062	Elbow, 1/2" BM 90°
18	8130838	Nipple, 1/4" NPT
19	8160708	Fitting, 1/4" NPT Male Barb
20	8130298	Nipple, 1/2" x 2-inches NPT BM
21	8237863	Bracket W/A, Gas LOV™ RTI Dispose
	1080686SP	Handle and Lock Assy, Gas LOV™ RTI
22	8090657	Clip, Clevis Right Rod End
23	2205656	Brace, RTI Handle
24	2205657	Cover, RTI Handle
25	8237208	Handle, Gas LOV™ RTI Waste Pull
26	8103587	Lock, RTI Waste Handle (includes keys)
27	8130265	Nipple, 1/2" x 2.50-inches NPT BM
28	8130336	Plug, 1/2" NPT SQ HD SS
29	8237838	Bracket W/A, Gas LOV™ RTI Fresh Oil
30	8100667	Valve, Check 1/2" NPT 1 PSI RTI Manifold
31	8103270	Fitting, 3/8" Flare x 1/4" NPT
32	8130165	Elbow, ST 1/2" NPT 90° BM
33	8130093	Nipple, 1/2" x 4-inches NPT BM
34	1082192	Stud Assy, GL Solenoid Bracket

√ Recommended parts.

1.16 Oil Quality Sensor (OQS) and Associated Parts



1.16 Oil Quality Sensor (OQS) and Associated Parts cont.

ITEM	PART #	COMPONENT
	8263194	Kit, OQS LOV Gas 2-Battery (Kit to add to existing LOV Gas Fryers w/out OQS)
	8263193	Kit, OQS LOV Gas 3, 4 and 5 Battery (Kit to add to existing LOV Gas Fryers w/out OQS)
1	8263292	Sensor, LOV OQS Replacement (Kit for LOV Fryers with OQS)
2	8101055	Flexline, 5/8" OD x 11.5-inch
3	2400931	Clamp, Bracket EBRO Sensor
4	2400930	Bracket, Vertical EBRO Sensor
5	2400929	Bracket, Horizontal EBRO Sensor
6	8238335	Screen, Suction Line Filter
7	8238903	Body W/A, Pre-Filter Final EBRO BIGL230
8	8104167	Lanyard, In-Line Filter
9	8101369	Flexline, 5/8" OD x 17.50-inch
10	8101067	Flexline, 5/8" OD x 8.50-inch
11	8101668	Adapter, 5/8" to 1/2" NPT Male
12	2401086	Wrench, Pre-Filter Cap
13	8238901	Body, W/A Pre-Filter EBRO Sensor
14	8101400	Flexline, 5/8" OD x 21-inch
15	2400924	Strap, Bracket EBRO Sensor
16	1086101	Bracket Assy, EBRO Sensor 3, 4 & 5 Battery
17	2401035	Support, EBRO Sensor Bracket
*	8238990	Wrench, 1-1/16" (27mm)
*	8238991	Wrench, 1-1/16" (27mm) crows foot

THIS PAGE INTENTIONALLY LEFT BLANK

Frymaster[®]

FRYMASTER
8700 LINE AVENUE, SHREVEPORT, LA 71106-6800

800-551-8633
318-865-1711
WWW.FRYMASTER.COM
EMAIL: FRYSERVICE@WELBILT.COM



Welbilt offers fully-integrated kitchen systems. Welbilt's portfolio of award-winning brands includes Cleveland™, Convotherm®, Crystal Tips®, Dean®, Delfield®, Fabristeel®, Frymaster®, Garland®, Inducs®, Koldtech®, Kolpak®, Lincoln®, McCann's™, Merco®, Merrychef®, Multiplex®, RDI®, SerVend™, SunFire®, U.S. Range™, and WMaxx™. Supported by service brands: FitKitchen®, kitchen systems; and KitchenConnect®, cloud-based open platform.

Bringing innovation to the table • welbilt.com

©2024 Frymaster LLC. except where explicitly stated otherwise. All rights reserved. Continuing product improvement may necessitate change of specifications without notice.

Part Number FRY_P_8197259 01/2024