

E4 High Production RE (HPRE) RE80 Electric

Service & Parts Manual

This manual is updated as new information and models are released. Visit our website for the latest manual.



- HPRE80, FPRE80, XFPRE80, XRE, FPRE80 and RE80 Models
- YUM YSCFRE18, XYCFRE18 and XYSCFRE18 Models



Part Number: FRY_SP_8196666 12/2023



NOTICE

IF, DURING THE WARRANTY PERIOD, THE CUSTOMER USES A PART FOR THIS FRYMASTER DEAN EQUIPMENT OTHER THAN AN **UNMODIFIED** NEW OR RECYCLED PART PURCHASED DIRECTLY FROM FRYMASTER DEAN, OR ANY OF ITS AUTHORIZED SERVICE CENTERS, AND/OR THE PART BEING USED IS MODIFIED FROM ITS ORIGINAL CONFIGURATION, THIS WARRANTY WILL BE VOID. FURTHER, FRYMASTER DEAN AND ITS AFFILIATES WILL NOT BE LIABLE FOR ANY CLAIMS, DAMAGES OR EXPENSES INCURRED BY THE CUSTOMER WHICH ARISE DIRECTLY OR INDIRECTLY, IN WHOLE OR IN PART, DUE TO THE INSTALLATION OF ANY MODIFIED PART AND/OR PART RECEIVED FROM AN UNAUTHORIZED SERVICE CENTER.

 DANGER

Copper wire suitable for at least 167°F (75°C) must be used for power connections.

 DANGER

The electrical power supply for this appliance must be the same as indicated on the rating and serial number plate located on the inside of the fryer door.

 DANGER

This appliance must be connected to the voltage and phase as specified on the rating and serial number plate located on the inside of the fryer door.

 DANGER

All wiring connections for this appliance must be made in accordance with the wiring diagrams furnished with the equipment. Wiring diagrams are located on the inside of the fryer door.

 DANGER

Do not store or use gasoline or other flammable vapors and liquids in the vicinity of this or any other appliance.

 WARNING

Do not attach accessories to this fryer unless fryer is secured from tipping. Personal injury may result.

 WARNING

Frymaster fryers equipped with legs are for permanent installations. Fryers fitted with legs must be lifted during movement to avoid damage and possible bodily injury. For a moveable or portable installation, Frymaster optional equipment casters must be used. Questions? Call 1-800-551-8633 or email at fryservice@welbilt.com.

 WARNING

Do not use water jets to clean this equipment.

 WARNING

This equipment is intended for indoor use only. Do not install or operate this equipment in outdoor areas.

⚠ DANGER

Adequate means must be provided to limit the movement of this appliance without depending on or transmitting stress to the electrical conduit. A restraint kit is provided with the fryer. If the restraint kit is missing contact your local Frymaster Factory Authorized Servicer (FAS) for part number 826-0900.

⚠ DANGER

Prior to movement, testing, maintenance and any repair on your Frymaster fryer, disconnect all electrical power from the fryer.

ELECTRICAL POWER SPECIFICATIONS

Three (3) Phase Requirements								
kW	VOLTAGE	PHASE	WIRE SERVICE	MINIMUM SIZE		AMPS PER LEG		
				AWG	mm ²	L1	L2	L3
17	208	3	3	4	16	48	48	48
17	240	3	3	6	16	41	41	41
17	480	3	3	8	16	21	21	21
17	220/380	3	4	8	16	26	26	26
17	240/415	3	4	8	16	24	24	24
17	230/400	3	4	8	16	25	25	25
21	208	3	3	4	25	58	58	58
21	240	3	3	4	25	51	51	51
21	480	3	3	8	16	25	25	25
21	220/380	3	4	6	16	32	32	32
21	240/415	3	4	8	16	29	29	29
21	230/400	3	4	8	16	30	30	30

E4 SERIES HIGH PRODUCTION RE ELECTRIC FRYERS TABLE OF CONTENTS

CAUTIONARY STATEMENTS.....	i
ELECTRICAL POWER SPECIFICATIONS.....	ii
CHAPTER 1: Service Procedures	
1.1 General	1-1
1.2 Replacing a Controller.....	1-1
1.3 Replacing Component Box Components	1-1
1.4 Replacing a High-Limit Thermostat.....	1-2
1.5 Replacing a Temperature Probe	1-3
1.6 Replacing a Heating Element	1-4
1.7 Replacing Contactor Box Components	1-6
1.8 Replacing a Frypot	1-7
1.9 Built-In Filtration System Service Procedures	1-9
1.9.1 Filtration System Problem Resolution	1-9
1.9.2 Replacing the Filter Motor, Filter Pump and Related Components	1-10
1.9.3 Replacing the Filter Transformer or Filter Relay	1-11
1.10 Basket Lift Service Procedures	1-12
1.11 Interface Board Diagnostic Chart.....	1-14
1.12 Probe Resistance Chart.....	1-15
1.13 Wiring Diagrams	1-16
1.13.1 Basket Lift (480V/120V Control Supply) (<i>After Jan. 2004</i>).....	1-16
1.13.2 PBI Basket Lift - (<i>After Jan. 2009</i>)	1-17
1.13.3 Modular Basket Lift - 200V-250V / 480V - (<i>After Jan. 2013</i>)	1-18
1.13.4 Standard Component Wiring.....	1-19
1.13.5 KFC1 and CM4s Component Wiring.....	1-20
1.13.6 Component Wiring – Single Phase	1-21
1.13.7 Component Wiring – 480V Non-Filter	1-22
1.13.8 Component Wiring – Fast Ready	1-23
1.13.9 Component Wiring – KFC India K3000	1-24
1.13.10 Component Wiring – KFC India Fast	1-25
1.13.11 Contactor Box – Domestic 17 kW	1-26
1.13.12 Contactor Box – Domestic 21 kW	1-26
1.13.13 Contactor Box – Export 17kW and 21kW	1-27
1.13.14 Contactor Box – Chinese Export 17kW and 21kW	1-28
1.13.15 Contactor Box – Export KFC India 17kW	1-28
CHAPTER 2: Parts List	
2.1 Accessories.....	2-1
2.2 Cabinetry	2-2
2.2.1 Backs, Control Panel Frames, Doors, Sides, Tilt Housings and Top Caps.....	2-2
2.2.2 Cabinet Bases, Braces and Associated Parts	2-5
2.3 Basket Lift Assembly and Associated Parts.....	2-7
2.3.1 Basket Lift Assembly and Assoc. Parts (<i>Feb. 2004 - Feb 2017</i>).....	2-7
2.3.2 Basket Lift Assembly and Assoc. Parts - 480V - (<i>After May 2022</i>).....	2-9
2.3.3 Basket Lift Assembly and Assoc. Parts - 200V-250V- (<i>After Feb. 2017</i>)	2-11
2.4 Filtration System Components	2-13

2.4.1	Filter Pan	2-13
2.4.2	Filter Pump	2-15
2.5	Drain System Components	2-16
2.5.1	Drain Valves and Associated Parts	2-16
2.5.2	Drain System Plumbing.....	2-18
2.6	Oil Return System Components	2-19
2.6.1	Oil Disposal Wand	2-21
2.6.2	KFC Over-the-Top Return	2-22
2.6.3	Drain Flush.....	2-23
2.6.4	Rear Disposal Plumbing.....	2-24
2.7	Heating Elements	2-25
2.7.1	Element Assemblies and Hardware.....	2-25
2.7.2	Element Tube Assembly	2-27
2.8	Frypots and Associated Parts	2-28
2.9	Controllers	2-29
2.10	Electronics and Electrical Components.....	2-30
2.10.1	Component Boxes	2-30
2.10.2	Contactors Boxes	2-32
2.10.3	Fuse Boxes	2-34
2.10.4	Terminal Blocks	2-35
2.10.5	Cord Sets	2-36
2.11	Wiring	2-36
2.11.1	Contactors Box Wiring Assemblies 6-Pin (Left) & 9-Pin (Right) Elements.....	2-36
2.11.2	Component Box, Filter Pump and Basket Lift Wiring Harnesses	2-37
2.12	Wiring Connectors and Pin Connectors	2-38
2.13	Fasteners.....	2-39

E4 SERIES HIGH PRODUCTION RE ELECTRIC FRYERS

CHAPTER 1: SERVICE PROCEDURES

1.1 General

Before performing any maintenance on your Frymaster fryer, disconnect the fryer from the electrical power supply.

When electrical wires are disconnected, it is recommended that they be marked in such a way as to facilitate re-assembly.

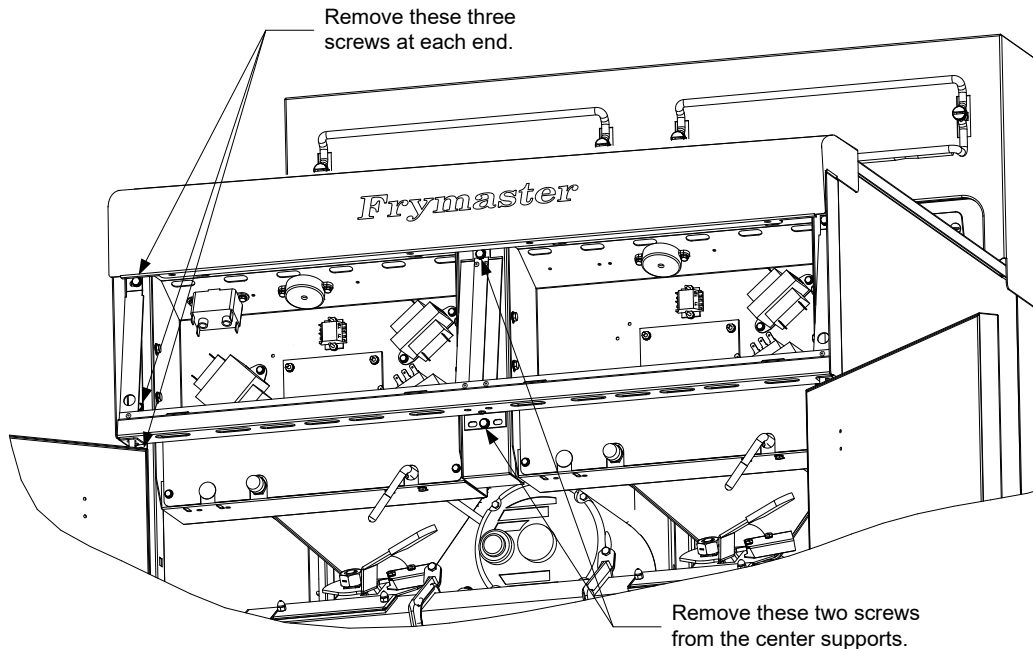
1.2 Replacing a Controller

1. Disconnect the fryer from the electrical power supply.
2. The controller bezel is held in place by tabs at the top and bottom. Slide the metal bezel up to disengage the lower tabs. Then slide the bezel down to disengage the upper tabs.
3. Remove the two screws from the upper corners of the control panel. The control panel is hinged at the bottom and swings open from the top.
4. Unplug the wiring harness from the connector on the back of the controller and disconnect the grounding wire from terminal adjacent to the connector. Remove the control panel assembly by lifting it from the hinged slots in the control panel frame.
5. Remove the controller from the control panel assembly and install the replacement controller. Reinstall the control panel assembly by reversing steps 1 and 2.

1.3 Replacing Component Box Components

1. Disconnect the fryer from the electrical power supply.
2. The controller bezel is held in place by tabs at the top and bottom. Slide the metal bezel up to disengage the lower tabs. Then slide the bezel down to disengage the upper tabs.
3. Remove the two screws from the upper corners of the control panel and allow the control panel to swing down.
4. Unplug the wiring harness from the 15-pin connector on the interface board and disconnect the grounding wire from terminal adjacent to the 15-pin connector on the back of the controller. Remove the control panel assembly by lifting it from the hinge slots in the control panel frame.
5. Disconnect the wiring from the component to be replaced, being sure to make a note of where each wire was connected.
6. Dismount the component to be replaced and install the new component, being sure that any required spacers, insulation, washers, etc. are in place.

NOTE: If more room to work is required, the control panel frame assembly may be removed by removing the hex head screws that secure it to the fryer cabinet (see illustration below). If this option is chosen, all control panel assemblies must be removed per steps 1 and 2 above. The cover plate on the lower front of the component box may also be removed if desired. *Removing the component box itself from the fryer is not recommended due to the difficulty involved in disconnecting and reconnecting the oil-return valve rods, which pass through openings in the component box.*



Removing the Control Panel Frame and Top Cap Assembly

7. Reconnect the wiring disconnected in Step 3, referring to your notes and the wiring diagrams on the fryer door to ensure that the connections are properly made. Also, verify that no other wiring was disconnected accidentally during the replacement process.
8. Reverse steps 1 through 4 to complete the replacement and return the fryer to service.

1.4 Replacing a High-Limit Thermostat

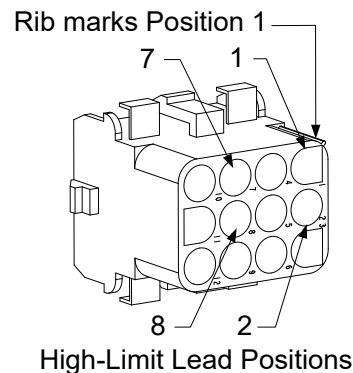
1. Remove the filter pan and lid from the unit. Drain the frypots into a Shortening Disposal Unit (SDU) or other appropriate metal container.



DO NOT drain more than one full frypot or two split frypots into the SDU at one time.

2. Disconnect the fryer from the electrical power supply and reposition it to gain access to the rear of the fryer.
3. Remove the four screws from both the left and right sides of the lower back panel.

4. Locate the high-limit that is being replaced and follow the two-black wires to the 12-pin connector C-6. Note where the leads are connected prior to removing them from the connector. Unplug the 12-pin connector C-6 and using a pin-pusher push the pins of the high-limit out of the connector.
5. Using a wrench, carefully unscrew the high-limit thermostat to be replaced.
6. Apply Loctite™ PST 567 or equivalent sealant to the threads of the replacement and screw it securely into the frypot.
7. Insert the leads into the 12-pin connector C-6 (see illustration below). For full-vat units or the left half of a dual-vat unit (as viewed from the rear of the fryer) the leads go into positions 1 and 2 of the connector. For the right half of a dual-vat unit (as viewed from the rear of the fryer), the leads go into positions 7 and 8. In either case, polarity does not matter.



8. Reconnect the 12-pin connecting plug C-6. Use wire ties to secure any loose wires.
9. Reinstall the back panels reposition the fryer under the exhaust hood, and reconnect it to the electrical power supply to return the fryer to service.

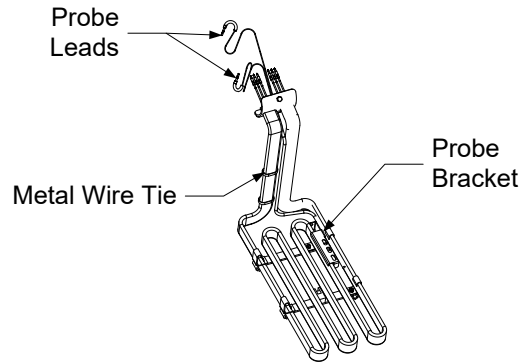
1.5 Replacing a Temperature Probe

1. Remove the filter pan and lid from the unit. Drain the frypots into a Shortening Disposal Unit (SDU) or other appropriate metal container.

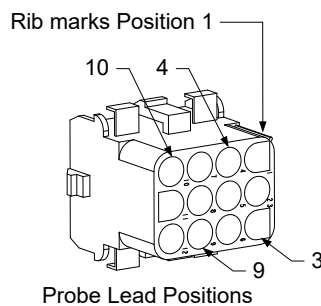
⚠ DANGER
DO NOT drain more than one full frypot or two split frypots into the SDU at one time.

2. Disconnect the fryer from the electrical power supply and reposition it to gain access to the rear of the fryer.
3. Remove the four screws from both sides of the lower back panel. Then remove the two screws on both the left and right sides of the back of the tilt housing. Lift the tilt housing straight up to remove from the fryer.
4. Locate the red and white wires of the temperature probe to be replaced. Note where the leads are connected prior to removing them from the connector. Unplug the 12-pin connector C-6 and using a pin-pusher push the pins of the temperature probe out of the connector.

5. Raise the element and remove the securing probe bracket and metal tie wraps that secure the probe to the element (see illustration below).



6. Gently pull on the temperature probe and grommet, pulling the wires up the rear of the fryer and through the element tube assembly.
7. Insert the replacement temperature probe (wires first) into the tube assembly ensuring that the grommet is in place. Secure the probe to the elements using the bracket which was removed in Step 5 and the metal tie wraps which were included in the replacement kit.
8. Route the probe wires out of the tube assembly following the element wires down the back of the fryer through the Heyco bushings to the 12-pin connector C-6. Secure the wires to the sheathing with wire ties.
9. Insert the temperature probe leads into the 12-pin connector C-6 (see illustration below). For full-vat units or the right half of a dual-vat unit (as viewed from the rear of the fryer) the red lead goes into position 3 and the white lead into position 4 of the connector. For the left half of a dual-vat unit (as viewed from the rear of the fryer), the red lead goes into position 9 and the white lead into position 10. **NOTE: Right and left** refer to the fryer as viewed from the rear.

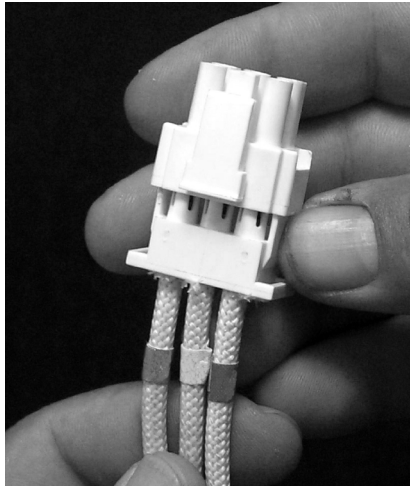


10. Secure any loose wires with wire ties making sure that the lead wires will not interfere with the movement of the springs. Rotate the elements up and down making sure that movement is not restricted and that the wires are not pinched.
11. Reinstall the tilt housing and back panels, reposition the fryer under the exhaust hood, and reconnect it to the electrical power supply to return the fryer to service.

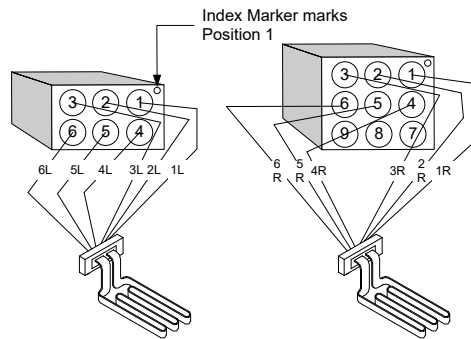
1.6 Replacing a Heating Element

1. Perform steps 1-3 of section 1.5, *Replacing a Temperature Probe*.

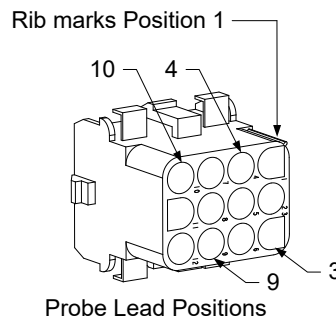
2. On dual-vat fryers, and on full-vat fryers where the temperature probe is attached to the element being replaced, disconnect the wire harness containing the probe wiring. Using a pin pusher, disconnect the probe wires from the 12-pin connector C-6.
3. Remove screws holding element wiring cover in place and remove cover.
4. In the rear of the fryer directly behind the frypot disconnect the 6-pin connector for the left element (as viewed from the front of the fryer) or the 9-pin connector for the right element. Press in on the tabs on each side of the connector while pulling outward on the free end to extend the connector and release the element leads (see photo below). Pull the leads out of the connector and out of the wire sleeving.



5. Raise the element to the full up position and support the elements.
6. Remove the hex head screws and nuts that secure the element to the tube assembly and pull the element out of the frypot. **NOTE:** Full-vat elements consist of two dual-vat elements clamped together. For full-vat units, remove the element clamps before removing the nuts and screws that secure the element to the tube assembly.
7. If applicable, recover the probe bracket and probe from the element being replaced and install them on the replacement element. Install the replacement element in the frypot, securing it with the nuts and screws removed in Step 5 to the tube assembly. Ensure the gasket is between the tube and element assembly.
8. Route the element leads through the element tube assembly and into the wire sleeving to prevent chafing. Ensure that the wire sleeving is routed back through the Heyco bushing keeping it clear from the lift springs. Also ensure that the wire sleeving extends into the tube assembly to prevent the edge of the tube assembly from chafing the wires. Press the pins into the connector in accordance with the diagram on the following page, and then close the connector to lock the leads in place. **NOTE:** It is critical that the wires be routed through the sleeving to prevent chafing.



9. Reconnect the element connector ensuring that the latches lock.
10. Insert the temperature probe leads into the 12-pin wiring harness connector C-6 (see illustration below). For full-vat units or the right half of a dual-vat unit, the red lead goes into position 3 and the white into position 4. For the left half of a dual-vat unit, the red lead goes into position 9 and the white into position 10. **NOTE:** *Right* and *left* refer to the fryer as viewed from the rear.



10. Reconnect the 12-pin connector C-6 of the wiring harness disconnected in Step 2.
11. Lower the element down onto the basket rack.
12. Reinstall the tilt housing, upper cover and back panels, reposition the fryer under the exhaust hood, and reconnect it to the electrical power supply.

1.7 Replacing Contactor Box Components

1. If replacing a contactor box component above the built-in filter system, remove the filter pan and lid from the unit. Drain the frypots into a Shortening Disposal Unit (SDU) or other appropriate metal container. If replacing a contactor box component in a non-filter unit or a frypot that's not over the filter pan, drain the frypot above the box into a Shortening Disposal Unit (SDU) or other appropriate metal container.

⚠ DANGER
DO NOT drain more than one full frypot or two split frypots into the SDU at one time.

2. Disconnect the fryer from the electrical power supply.
3. Remove the two screws securing the cover of the contactor box. The contactor boxes above the filter pan are accessed by sliding under the fryer. They are located to the left and right above the

guide rails (see photo below). The contactor boxes of non-filter units or frypots not over the filter pan are accessed by opening the fryer door directly under the affected frypot.

4. The contactors and relays are held on by threaded pin studs so that only removal of the nut is required to replace the component.
5. After performing necessary service, reverse steps 1-4 to return the fryer to operation.

1.8 Replacing a Frypot

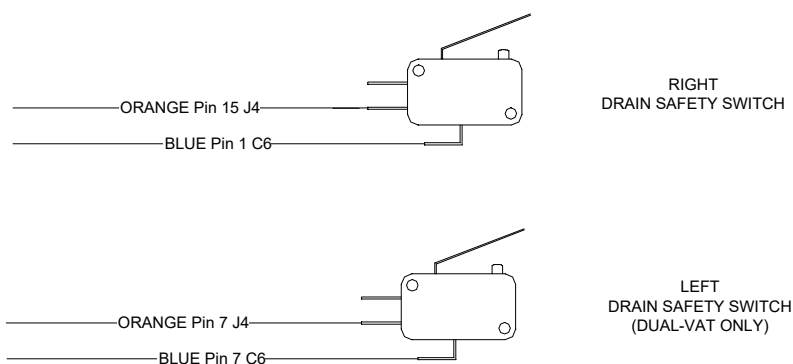
1. Drain the frypot into the filter pan or, if replacing a frypot over the filter system, into a Shortening Disposal Unit (SDU) or other appropriate metal container. If replacing a frypot over the filter system, remove the filter pan and lid from the unit.



DO NOT drain more than one full frypot or two split frypots into the SDU at one time.

2. Disconnect the fryer from the electrical power supply and reposition it to gain access to both the front and rear.
3. Slide the metal bezel up to release the bottom tabs, then slide the bezel down to disengage the upper tabs.
4. Remove the two screws from the upper corners of the control panels and allow them to swing down (see illustration and photo on page 1-1).
5. Unplug the wiring harnesses and ground wires from the backs of the controllers. Remove the controllers by lifting them from the hinge slots in the control panel frame.
6. Remove the tilt housing and back panels from the fryer. The tilt housing must be removed first in order to remove the upper back panel.
7. To remove the tilt housing remove the hex head screws from the rear edge of the housing. The housing can be lifted straight up and off the fryer.
8. Remove the control panel by removing the screw in the center and the nuts on both sides.
9. Loosen the component boxes by removing the screws, which secure them in the cabinet.
10. Dismount the top cap by removing the nuts at each end that secure it to the cabinetry.
11. Remove the hex head screw that secures the front of the frypot to the cabinet cross brace.
12. Remove the top-connecting strip that covers the joint with the adjacent frypot.
13. Unscrew the Teflon vent/vacuum-breaker tube fitting, unscrew the nut located on the front of each section of drain tube, and remove the tube assembly from the fryer.

14. Remove the covers from the drain safety switch(es) and disconnect the switch wiring at the switch(es).
15. At the rear of the fryer, unplug the 12-pin connector C-6 and, using a pin pusher, disconnect the high-limit thermostat leads.
16. Disconnect the oil return flexline(s) at the frypot end(s).
17. Raise the elements to the “up” position and disconnect the element springs.
18. Remove the machine screws and nuts that secure the element tube assembly to the frypot. Carefully lift the element assembly from the frypot and secure it to the cross brace on the rear of the fryer with wire ties or tape.
19. Carefully lift the frypot from the fryer and place it upside down on a stable work surface.
20. Recover the drain valve(s), oil return flexline connection fitting(s), and high-limit thermostat(s) from the frypot. Clean threads and apply Loctite™ PST 567 or equivalent sealant to the threads of the recovered parts and install them in the replacement frypot.
21. Carefully lower the replacement frypot into the fryer. Reinstall the hex head screw removed in step 7 to attach the frypot to the fryer.
22. Position the element tube assembly in the frypot and reinstall the machine screws and nuts removed in step 14.
23. Reconnect the oil return flexlines to the frypot, and replace aluminum tape, if necessary, to secure heater strips to the flexlines.
24. Insert the high-limit thermostat leads disconnected in step 13 (see illustration on page 1-3 for pin positions).
25. Reconnect the drain safety switch wiring to the switch(es) in accordance with the diagram below then reinstall the switch covers.



26. Reinstall the drain tube assembly.
27. Reinstall the top connecting strips, top cap, control panel, component box, tilt housing and back panels.
28. Reinstall controllers in the control panel frame and reconnect the wiring harnesses and ground wires.
29. Reposition the fryer under the exhaust hood and reconnect it to the electrical power supply.

1.9 Built-in Filtration System Service Procedures

1.9.1 Filtration System Problem Resolution

One of the most common causes of filtration problems is placing the filter paper on the bottom of the filter pan rather than over the filter screen.

CAUTION

Ensure that filter screen is in place prior to filter paper placement and filter pump operation. Improper screen placement is the primary cause of filtration system malfunction.

Whenever the complaint is “the pump is running, but no oil is being filtered,” check the installation of the filter paper, and ensure that the correct size is being used. While you are checking the filter paper, verify that the O-rings on the pick-up tube of the filter pan are in good condition. Missing or worn O-rings allow the pump to take in air and decrease its efficiency.

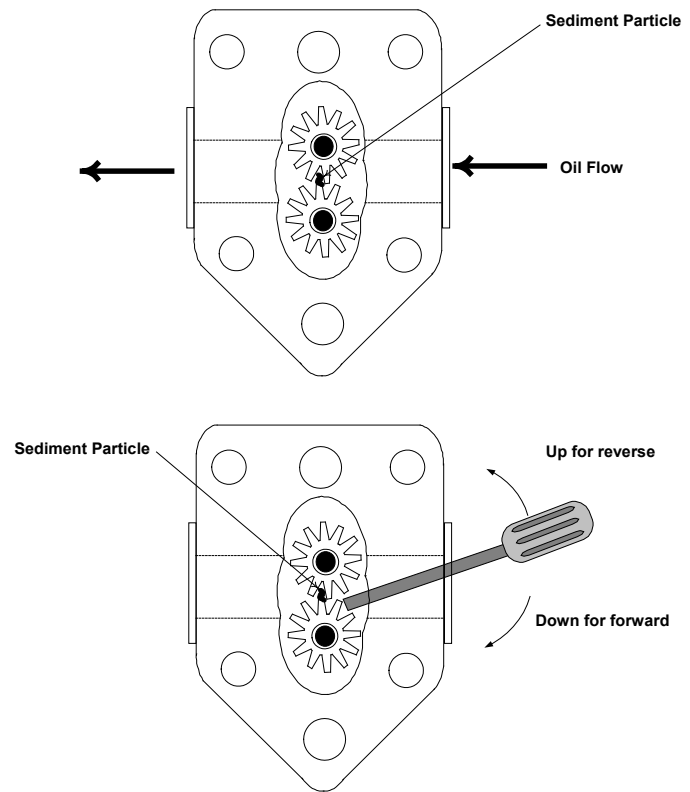
If the pump motor overheats, the thermal overload will trip and the motor will not start until it is reset. If the pump motor does not start, press the red reset switch (button) located on the rear of the motor at the front of the fryer.

If the pump starts after resetting the thermal overload switch, then something is causing the motor to overheat. A major cause of overheating is when several frypots are filtered sequentially, overheating the pump and motor. Allow the pump motor to cool at least 30 minutes before resuming operation. Pump overheating can be caused by:

- Solidified shortening in the pan or filter lines, or
- Attempting to filter unheated oil (cold oil is more viscous, overloading the pump motor and causing it to overheat).

If the motor runs but the pump does not return oil, there is a blockage in the pump. Incorrectly sized or installed paper/pads will allow food particles and sediment to pass through the filter pan and into the pump. When sediment enters the pump, the gears bind, causing the motor to overload, again tripping the thermal overload. Shortening that has solidified in the pump will also cause it to seize, with the same result.

A pump seized by debris or hard shortening can usually be freed by manually moving the gears with a screwdriver or other instrument.



Disconnect power to the filter system, remove the input plumbing from the pump, and use a screwdriver to manually turn the gears.

- Turning the pump gears in reverse will release a hard particle.
- Turning the pump gears forward will push softer objects and solid shortening through the pump and allow free movement of the gears.

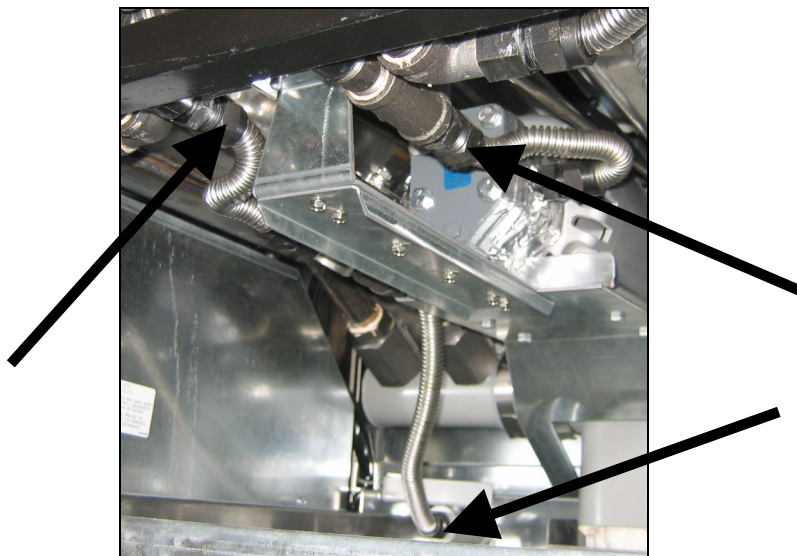
Incorrectly sized or installed paper/pads will also allow food particles and sediment to pass through and clog the suction tube on the bottom of the filter pan. Particles large enough to block the suction tube may indicate that the crumb tray is not being used. Pan blockage can also occur if shortening is left in the pan and allowed to solidify. Blockage removal can be accomplished by forcing the item out with an auger or drain snake. Compressed air or other pressurized gases should not be used to force out the blockage.

1.9.2 Replacing the Filter Motor, Filter Pump, and Related Components

1. Drain the frypots into a Shortening Disposal Unit (SDU) or other appropriate metal container.

⚠ DANGER
DO NOT drain more than one full frypot or two split frypots into the SDU at one time.

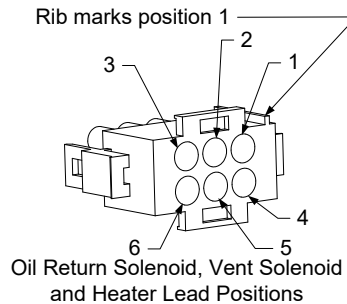
2. Disconnect the fryer from the electrical power supply and reposition it to gain access to both the front and rear.
3. Disconnect the two flexlines running to the oil-return manifold at the rear of the fryer as well as the pump suction flexline at the end of the filter pan connection (see photo below).



Disconnect flexlines indicated by the arrows.

4. Remove the cover plate from the front of the motor and disconnect the motor wires.
5. Unplug the pump motor assembly 6-pin connector C-2 and, using a pin pusher, disconnect the vent vacuum-breaker solenoid (pins 2 and 5) that is attached to the oil return manifold.

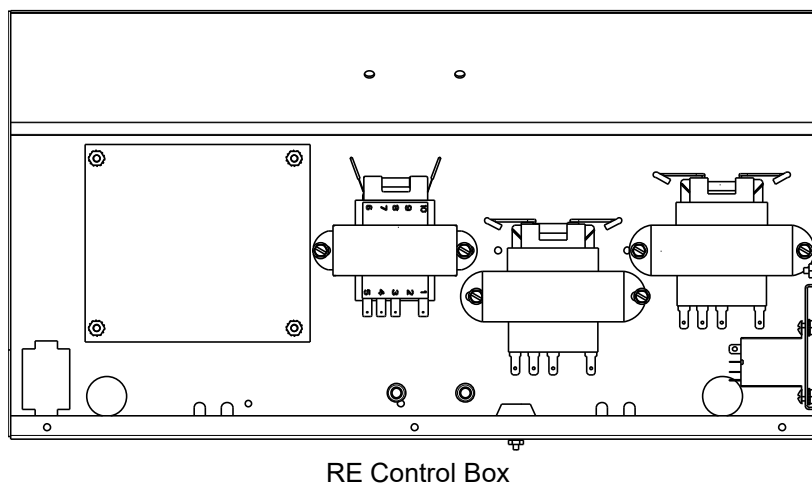
6. When complete, reverse steps to reinstall the bridge. **NOTE:** The black motor wires go on the top terminal, the white on the bottom. The pump solenoid valve wires go in positions 1 and 4 of the 6-pin connector C-2; the vent vacuum-breaker solenoid valve wires go in positions 2 and 5; the red/black heater tape wires go into position 3 and the violet/white wires go into position 6 (see illustration on the following page).
7. Disconnect any heater tape wiring from connectors and remove heater tape. Motor and pump can be separated and removed individually or as one unit.



8. Reconnect the unit to the electrical power supply, and verify that the pump is functioning correctly (i.e., when a filter handle is placed in the ON position, the motor should start and there should be strong suction at the intake fitting and outflow at the rear flush port.)
9. When proper operation has been verified, reinstall the back panels and the filter pan and lid.
10. Reposition the fryer under the exhaust hood and reconnect it to the electrical power supply to return the fryer to service.

1.9.3 Replacing the Filter Transformer or Filter Relay

Disconnect the fryer from the electrical power supply. Remove the left controller from the fryer to expose the interior of the left component box. The filter transformer and relay are behind the controller on a single fryer or just right of the filter in a bank of two or more. The filter transformer and relay are located as shown in the illustration below. .



1.10 Basket Lift Service Procedures

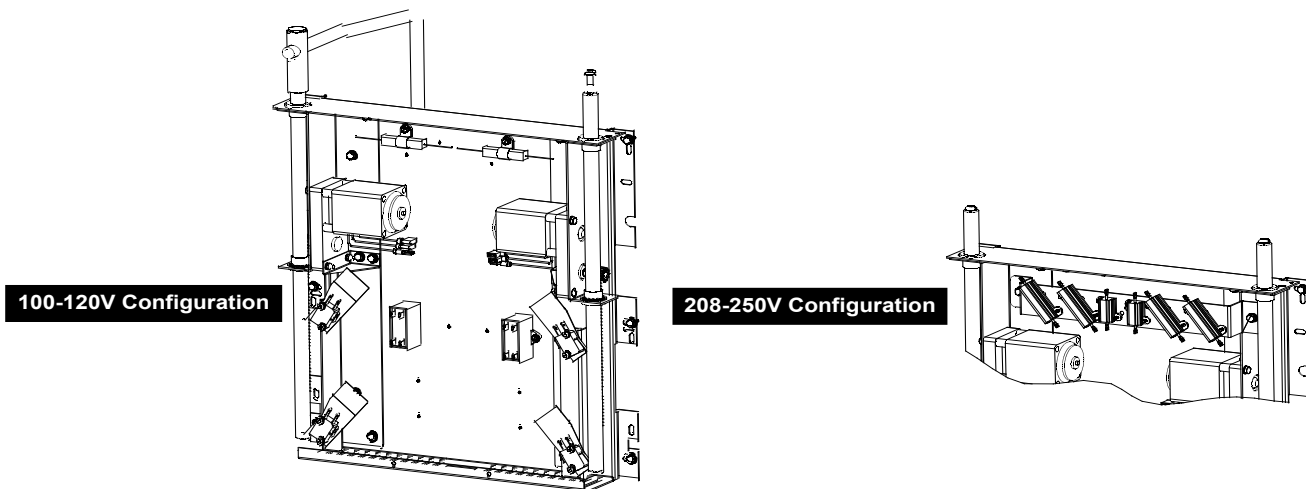
High Production RE Series electric fryers may be equipped with automatic basket lifts. Basket lifts always come in pairs, although each operates independently.

A **modular basket lift** (illustrated on the following page) is a self-contained sub-assembly consisting of a pair of toothed rods which support removable basket lift arms, a pair of reversible-drive gear motors, and four microswitches. The gear motors engage the teeth of the rods, moving them up or down depending upon the motors' direction of rotation. The microswitches at the upper and lower limits of movement stop the motors when the basket is in the full up or full down position. Timing circuitry in the controller initiates and stops basket lift operation depending upon the variables programmed by the operator. When the product button is pressed, the timing circuitry activates a coil in the basket lift relay to supply power to the lower microswitch. The microswitches stop the motor at the lift's upper and lower travel limits and reverse the direction of current flow thus reversing the motor direction.

When the product button is pushed on the computer/controller, current flows through a coil in the basket lift relay, causing the lower circuit to be activated. The basket lift lowers, closing the normally open upper-micro-switch. When the downward-moving rod opens the lower normally closed microswitch, the power to the motor ceases to flow. When the computer/controller times out, the current to the relay coil is cut, allowing the upper circuit to be activated. The basket lift then raises and re-closes the lower microswitch. When the basket lift rod clears the upper microswitch, the microswitch reopens, power to the circuit is cut, and the motor stops. Pushing the product button restarts the cycle.

Problems with the basket lift can be grouped into three categories:

- Binding/jamming problems
- Motor and gear problems
- Electronic problems



BINDING/JAMMING PROBLEMS

Noisy, jerky or erratic movement of the lifts is usually due to lack of lubrication of the rods and their bushings. Apply a light coat of Lubriplate[®] or similar lightweight white grease to the rod and bushings to correct the problem.

With the modular basket lift, another possible cause of binding is improper positioning of the motor, which prevents the gear from correctly engaging the teeth in the rod. To correct the problem, loosen the screws that hold the motor in place and move it forward or backward until the rod has just enough slack to be rotated slightly.

MOTOR AND GEAR PROBLEMS

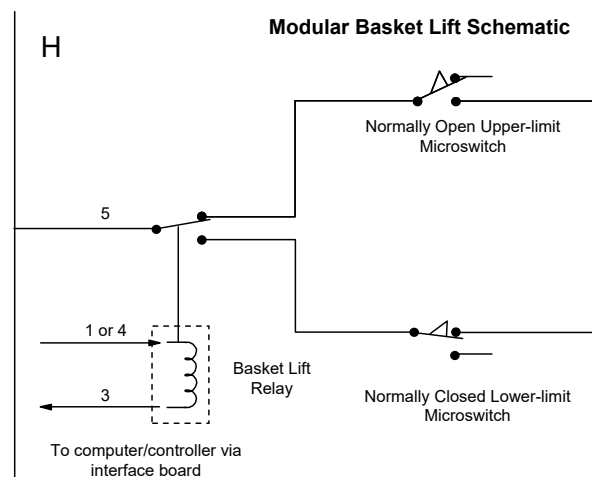
With the modular basket lift, the most likely problem to be encountered in this category is erratic motion of the lift due to a worn drive gear. Failure to keep the lift rod and bushings properly lubricated will cause unnecessary wear of the gear. The problem is corrected by replacing the worn gear.

If the lift cycles correctly but fails to remain in the up position (i.e., goes up, but then slowly settles back down into the frypot), the problem is a failed motor brake. A failed motor brake cannot be repaired and requires replacement of the motor itself.

If power is reaching the motor but the motor fails to run, the motor is burned out and must be replaced.

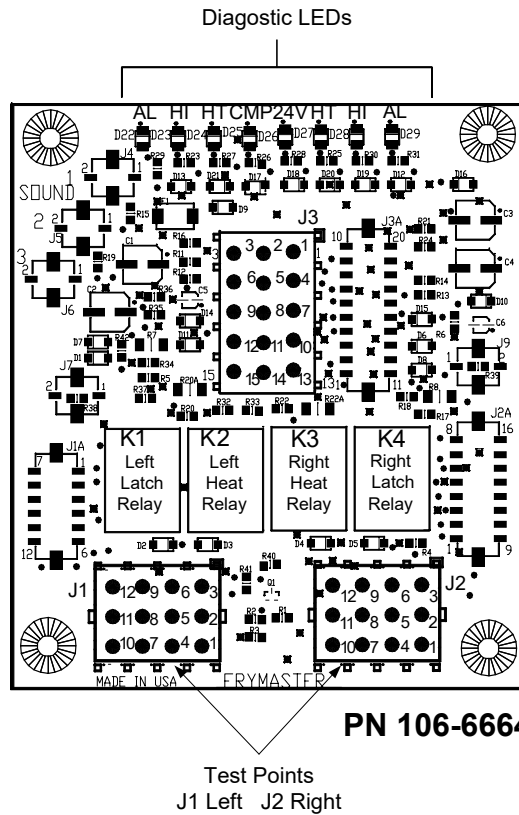
ELECTRONIC PROBLEMS

Within this category are problems associated with the relays, microswitches, capacitors, resistors, interface board, wiring, and controls. The most common problem in this category is a lift that continuously travels up and down. This is usually caused by a microswitch that is out of adjustment. Troubleshooting the electronics of a modular basket lift is simply a process of verifying current flow through the individual components up to and including the motor. Using a multimeter set to the 250 VAC range, check the connections on both sides of the component for the presence of the applied line voltage. The schematic below and the wiring diagram on page 1-16 can identify the components and wiring connection points.



1.11 Interface Board Diagnostic Chart

The following diagram and charts provide ten quick system checks that can be performed using only a multimeter.



Diagnostic LED Legend	
CMP	indicates power from 12V transformer
24	indicates power from 24V transformer
HI	(RH) indicates output (closed) from right latch relay
HI	(LH) indicates output (closed) from left latch relay
HT	(RH) indicates output from right heat relay
HT	(LH) indicates output from left heat relay
AL	(RH) indicates output (open) from right latch relay
AL	(LH) indicates output (open) from left latch relay

NOTE – When testing the test points on J1 and J2 test use the illustration above disregarding any silk-screened numbers on the board depicting the location of Pin 1. Pin 1 is located in the bottom right corner of both J1 and J2. These test points are **ONLY** for RE Series boards with J1 and J2 plugs on the front of the board.

Meter Setting	Test	Pin	Pin	Results
12 VAC Power	50 VAC Scale	3 of J2	1 of J2	12-16 VAC
24 VAC Power	50 VAC Scale	2 of J2	Chassis	24-30 VAC
*Probe Resistance (RH)	R X 1000 OHMS	11 of J2	10 of J2	See Chart
*Probe Resistance (LH)	R X 1000 OHMS	1 of J1	2 of J1	See Chart
High-Limit Continuity (RH)	R X 1 OHMS	9 of J2	6 of J2	0 - OHMS
High-Limit Continuity (LH)	R X 1 OHMS	6 of J1	9 of J1	0 - OHMS
Latch Contactor Coil (RH)	R X 1 OHMS	8 of J2	Chassis	3-10 OHMS
Latch Contactor Coil (LH)	R X 1 OHMS	5 of J1	Chassis	3-10 OHMS
Heat Contactor Coil (RH)	R X 1 OHMS	7 of J2	Chassis	11-15 OHMS
Heat Contactor Coil (LH)	R X 1 OHMS	4 of J1	Chassis	11-15 OHMS

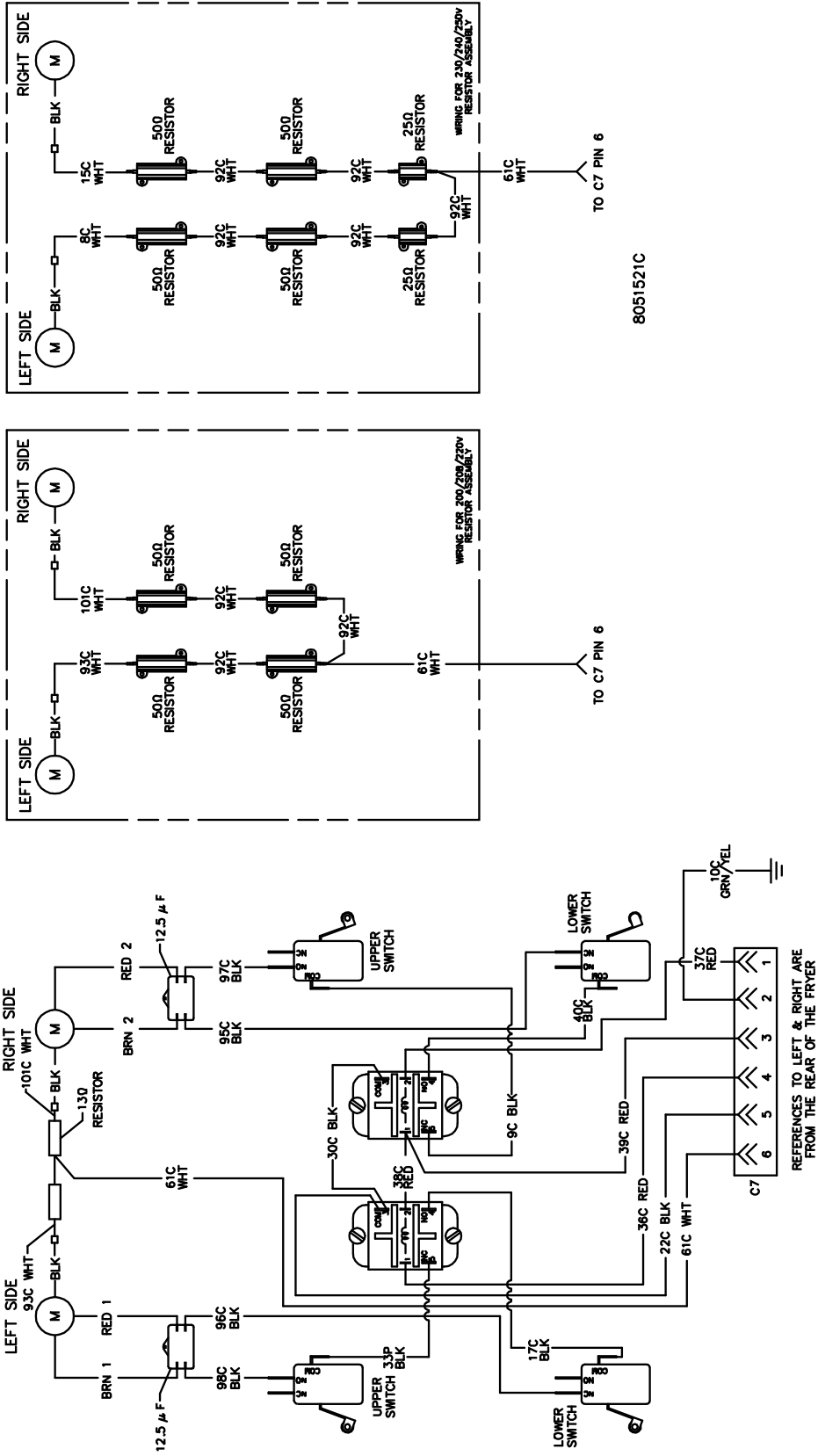
* Disconnect 15-Pin harness from the computer/controller before testing the probe circuit.

1.12 Probe Resistance Chart

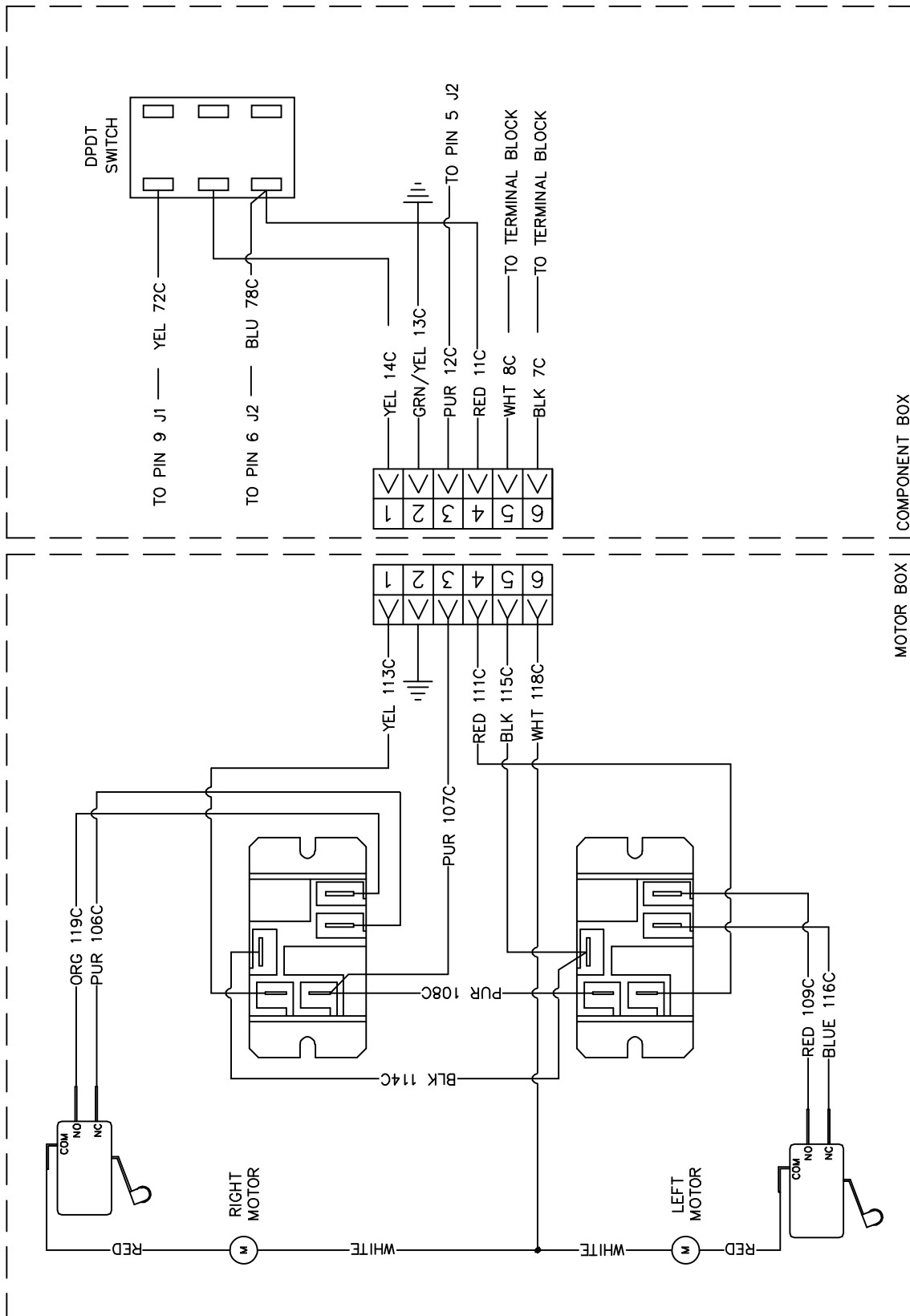
<h3 style="text-align: center;">Probe Resistance Chart</h3> <p style="text-align: center;"><i>For use with fryers manufactured with Minco Thermistor probes only.</i></p>																	
F	OHMS	C	F	OHMS	C	F	OHMS	C	F	OHMS	C	F	OHMS	C			
60	1059	16	130	1204	54	200	1350	93	270	1493	132	340	1634	171			
65	1070	18	135	1216	57	205	1361	96	275	1503	135	345	1644	174			
70	1080	21	140	1226	60	210	1371	99	280	1514	138	350	1654	177			
75	1091	24	145	1237	63	215	1381	102	285	1524	141	355	1664	179			
80	1101	27	150	1247	66	220	1391	104	290	1534	143	360	1674	182			
85	1112	29	155	1258	68	225	1402	107	295	1544	146	365	1684	185			
90	1122	32	160	1268	71	230	1412	110	300	1554	149	370	1694	188			
95	1133	35	165	1278	74	235	1422	113	305	1564	152	375	1704	191			
100	1143	38	170	1289	77	240	1432	116	310	1574	154	380	1714	193			
105	1154	41	175	1299	79	245	1442	118	315	1584	157	385	1724	196			
110	1164	43	180	1309	82	250	1453	121	320	1594	160	390	1734	199			
115	1174	46	185	1320	85	255	1463	124	325	1604	163	395	1744	202			
120	1185	49	190	1330	88	260	1473	127	330	1614	166	400	1754	204			
125	1195	52	195	1340	91	265	1483	129	335	1624	168	405	1764	207			

1.13 Wiring Diagrams

1.13.1 Basket Lift - After Jan. 2004



1.13.2 PBI Basket Lift - After Jan. 2009

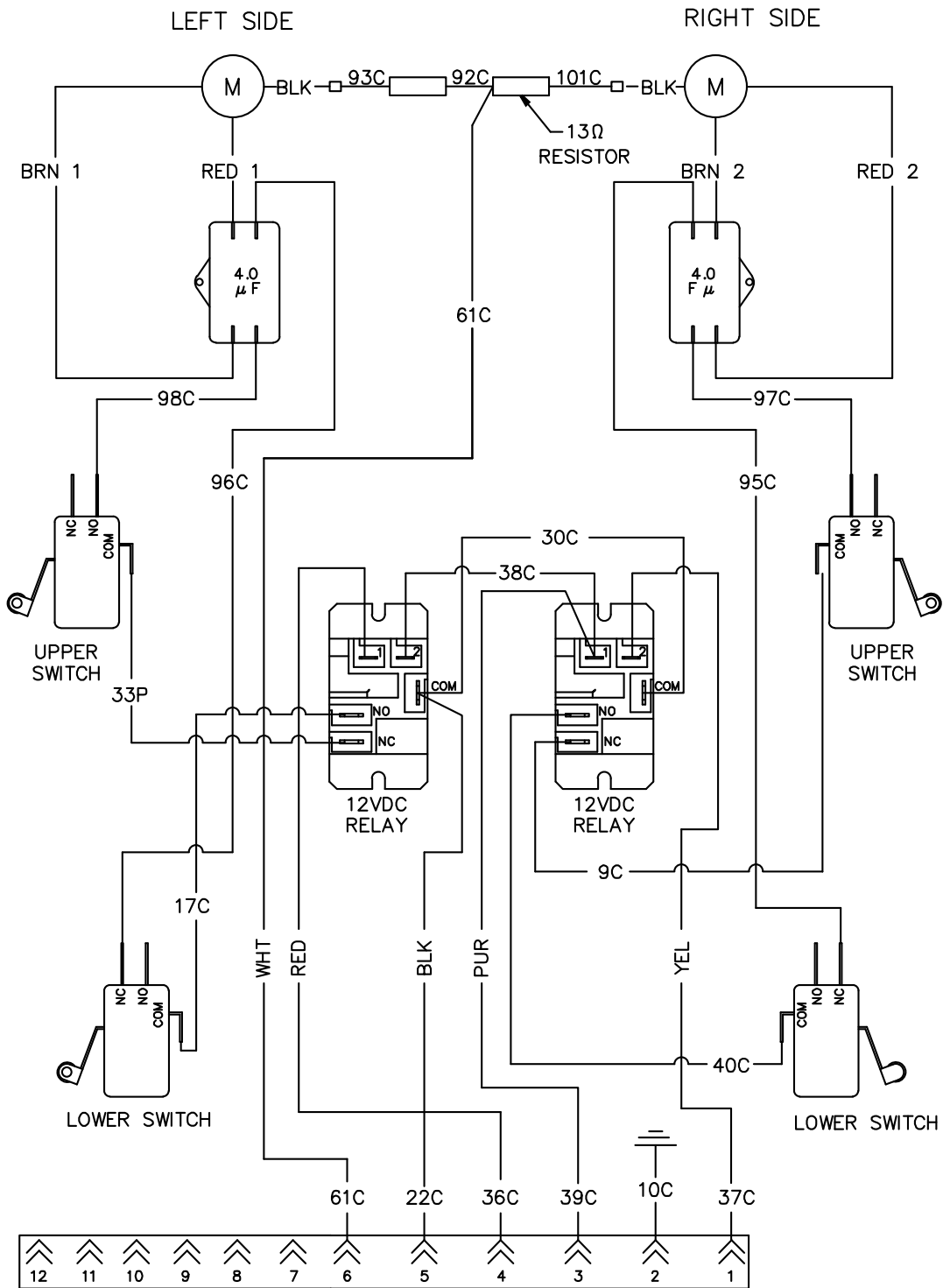


8051788A

COMPONENT BOX

MOTOR BOX

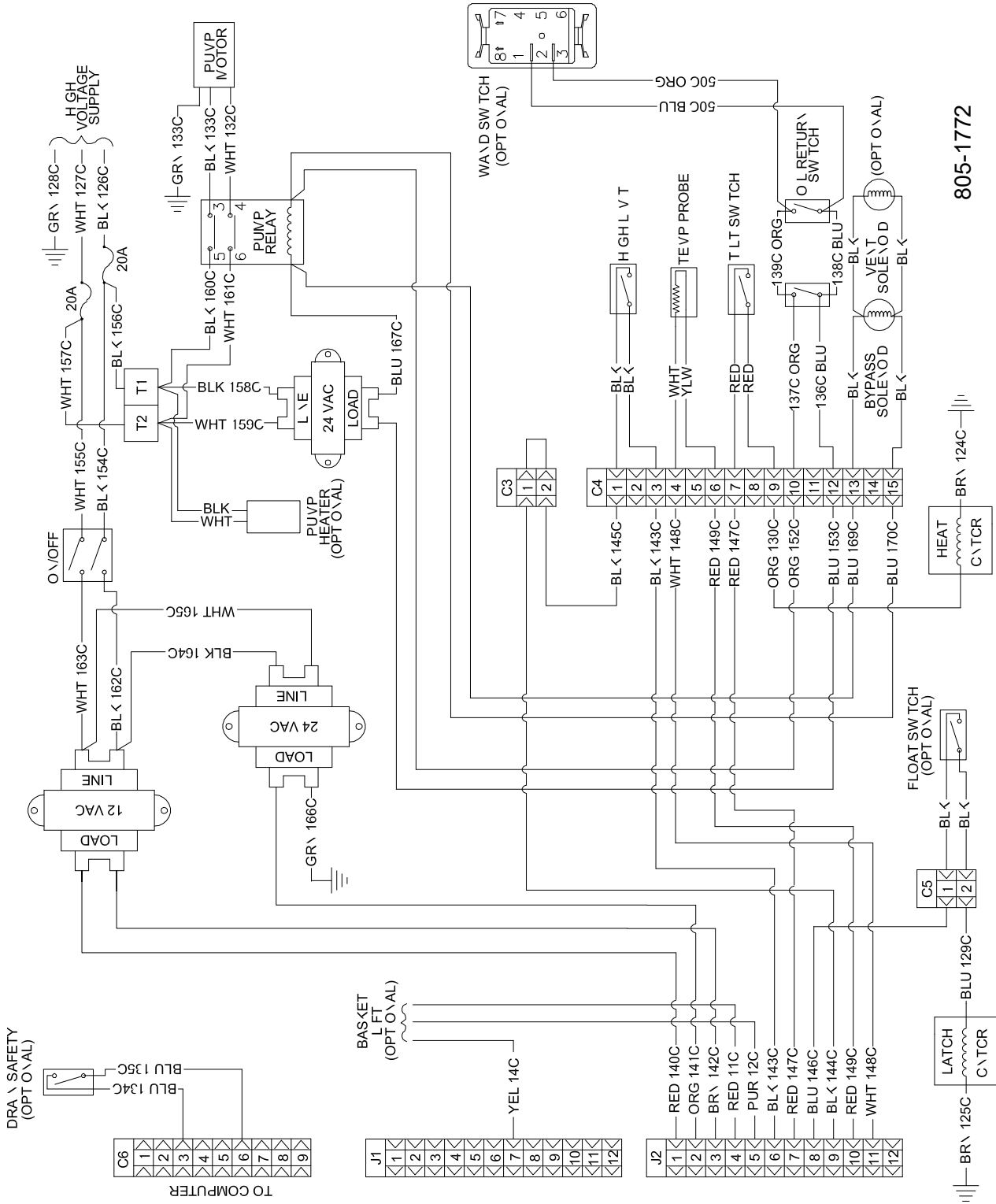
1.13.3 Modular Basket Lift - 200V-250V / 480V - After Jan. 2013



REFERENCES TO LEFT & RIGHT ARE FROM THE REAR OF THE FRYER

8051964B

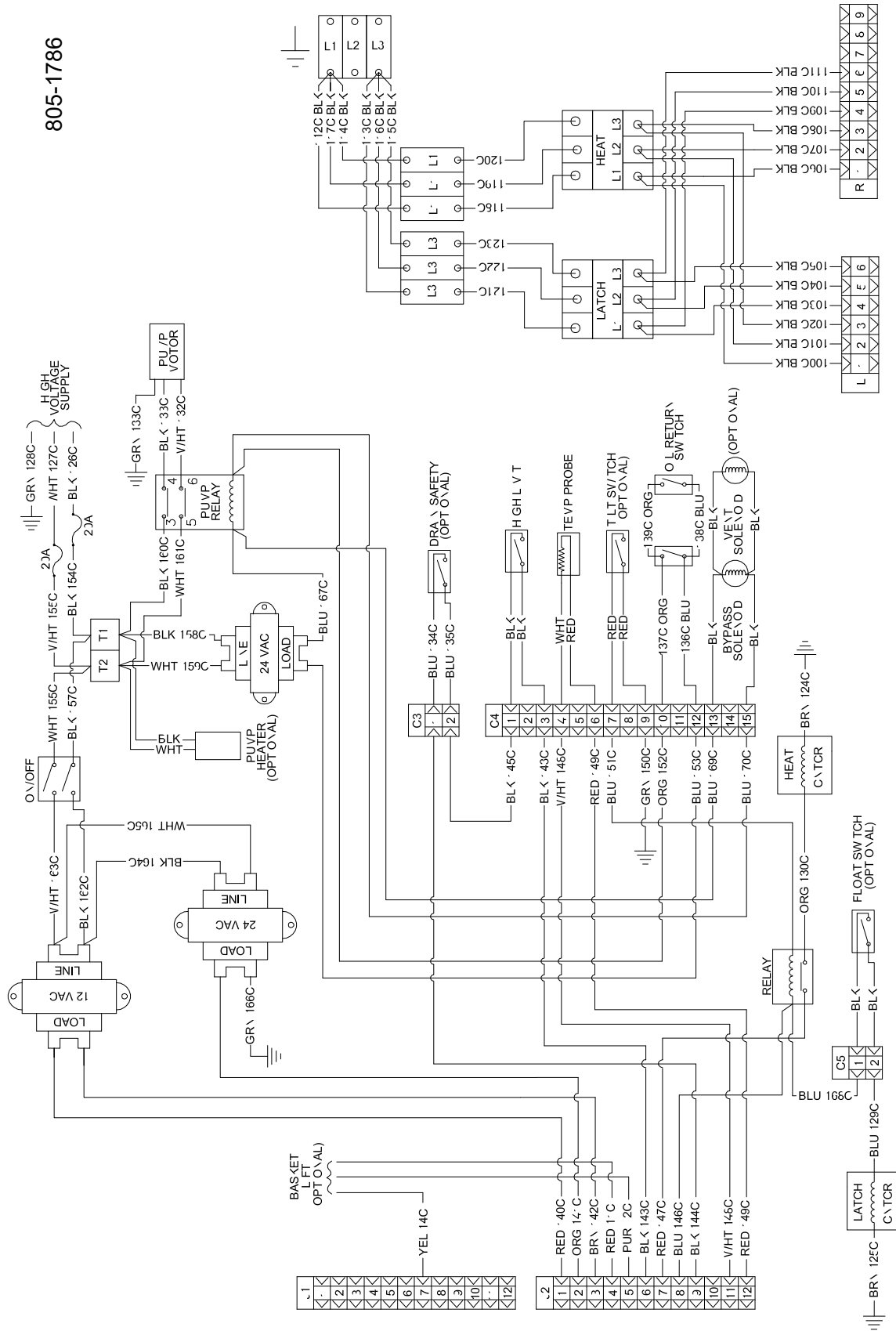
1.13.5 KFC1 and CM4S Component Wiring



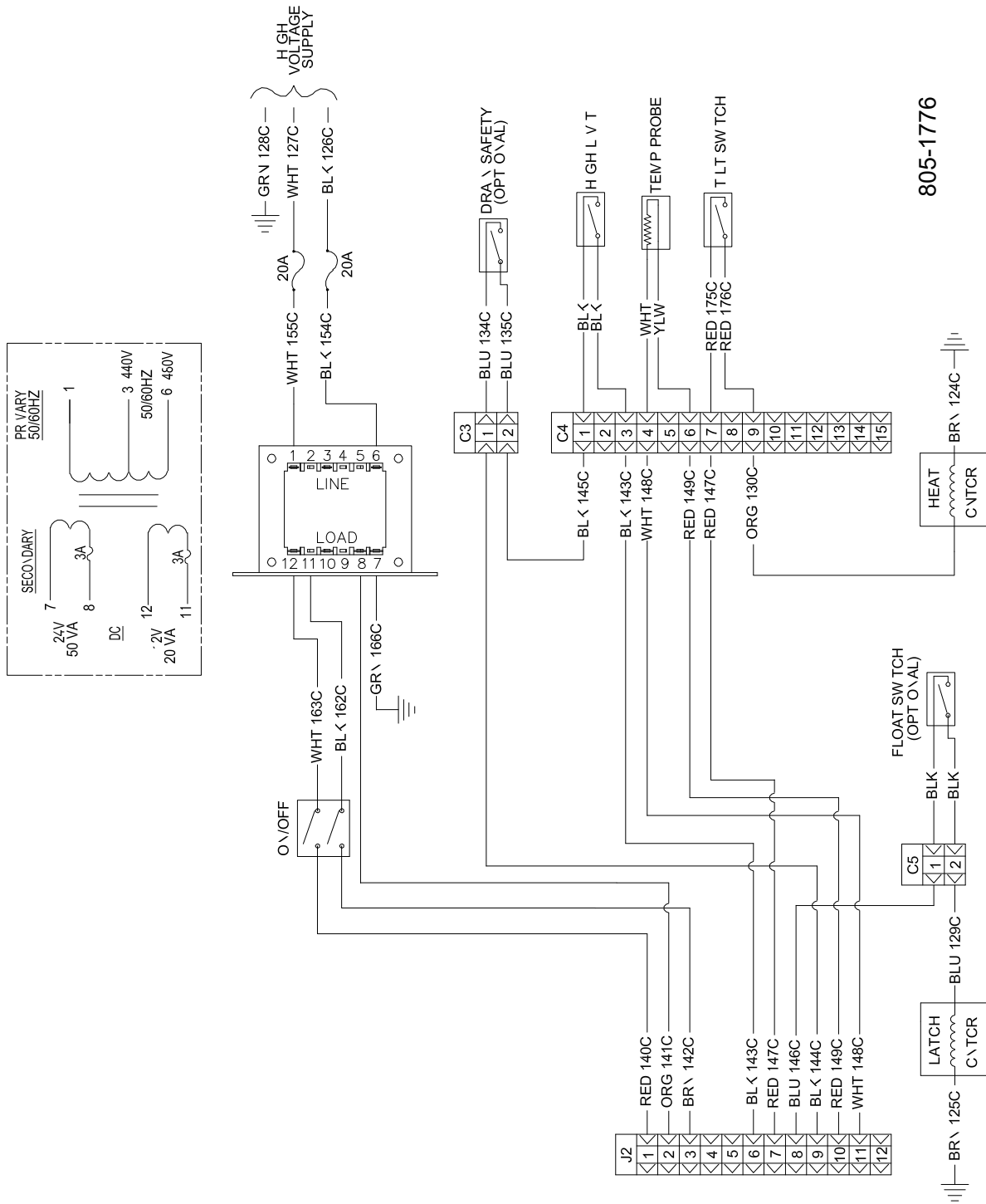
805-1772

1.13.6 Component Wiring – Single Phase

805-1786

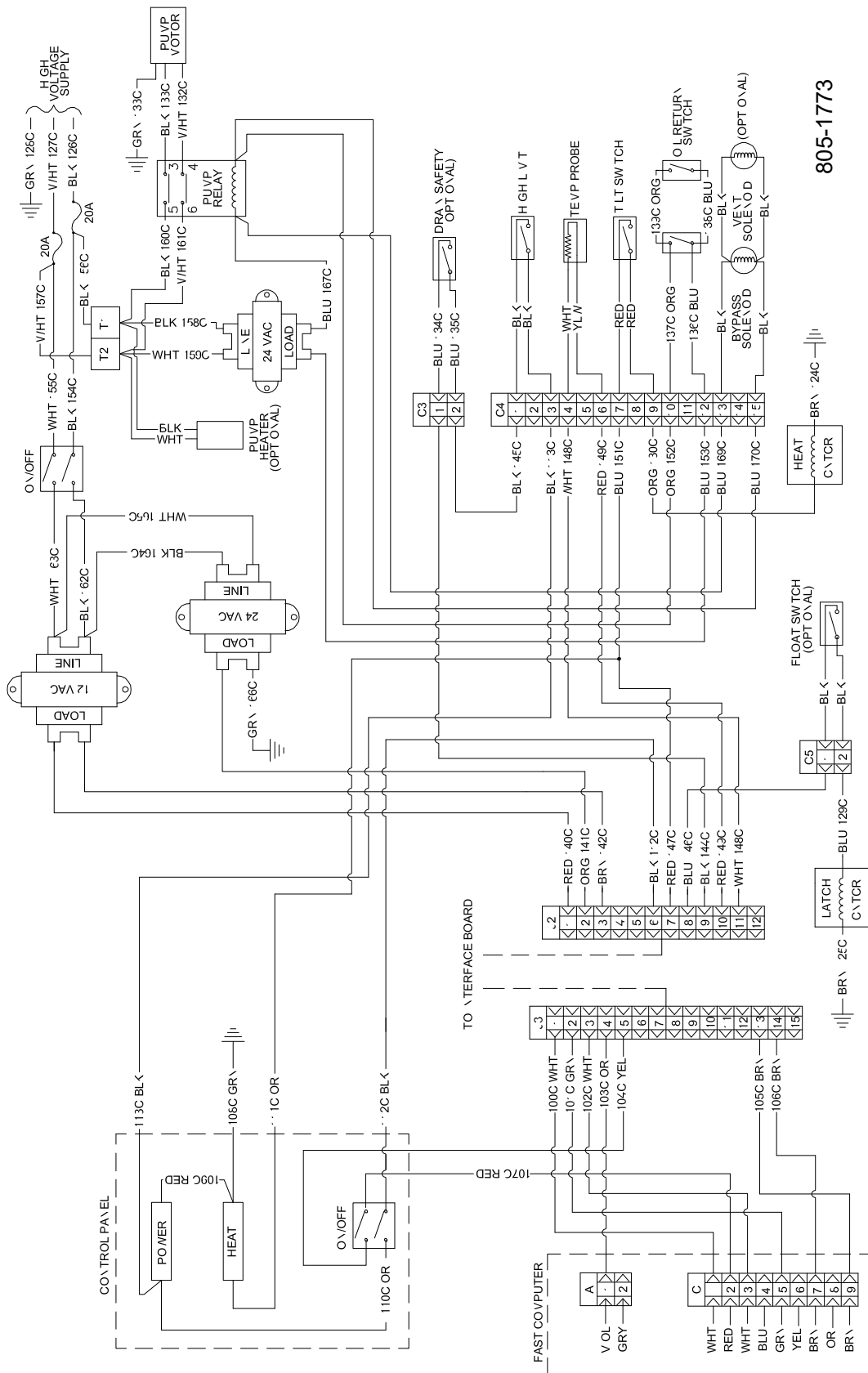


1.13.7 Component Wiring – 480V Non-Filter

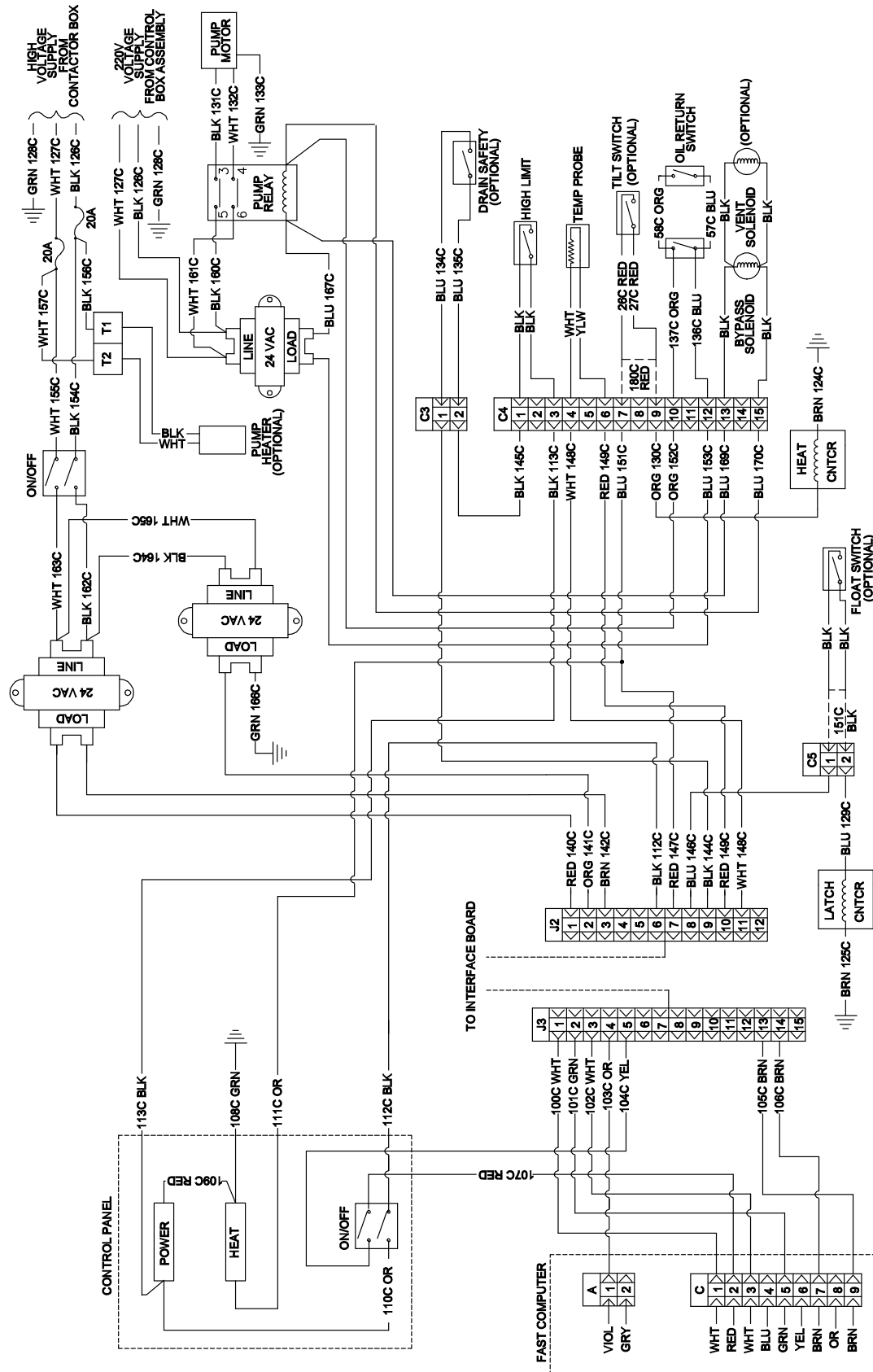


805-1776

1.13.8 Component Wiring - Fast Ready

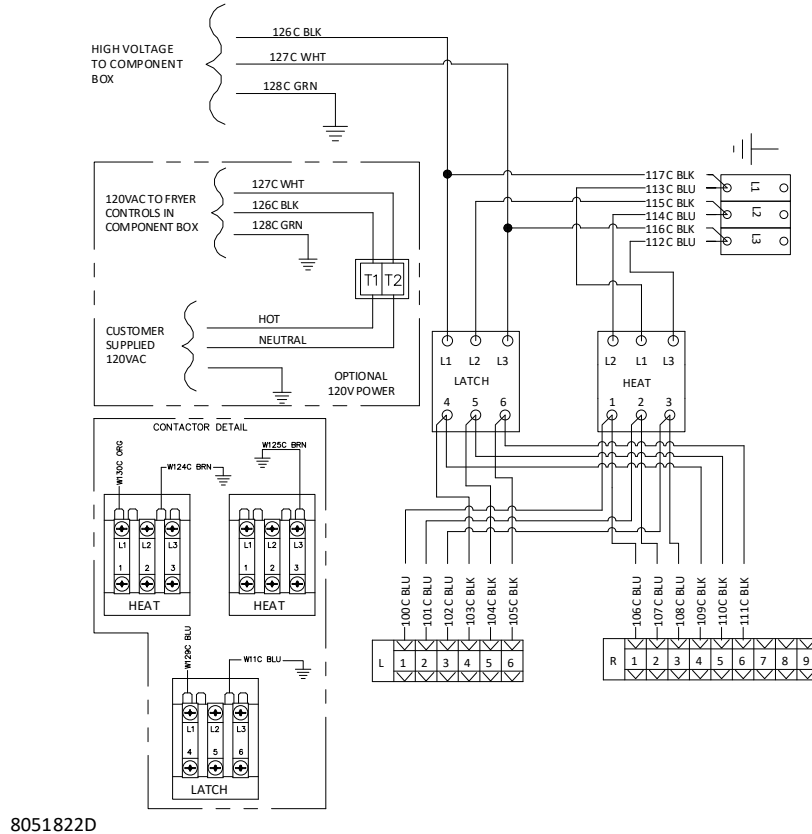


1.13.10 Component Wiring – KFC INDIA FAST

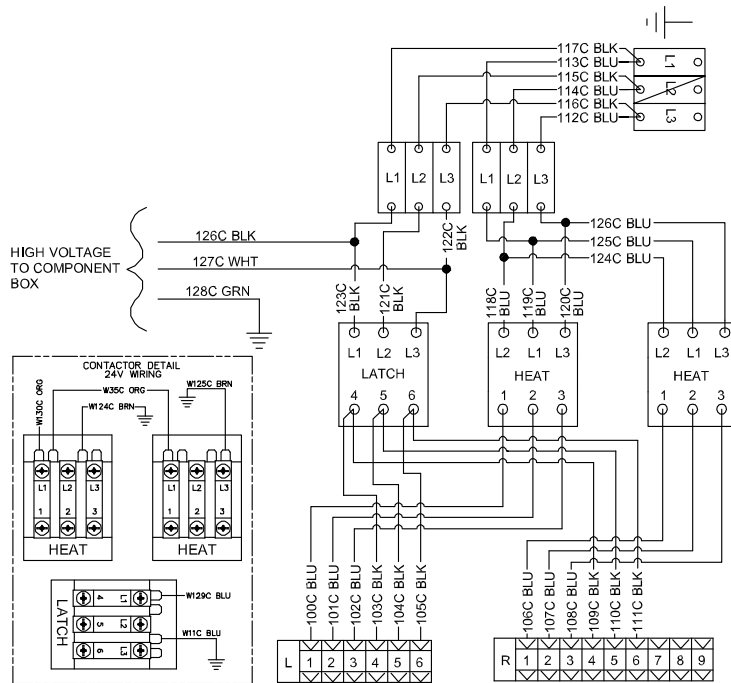


8051949C

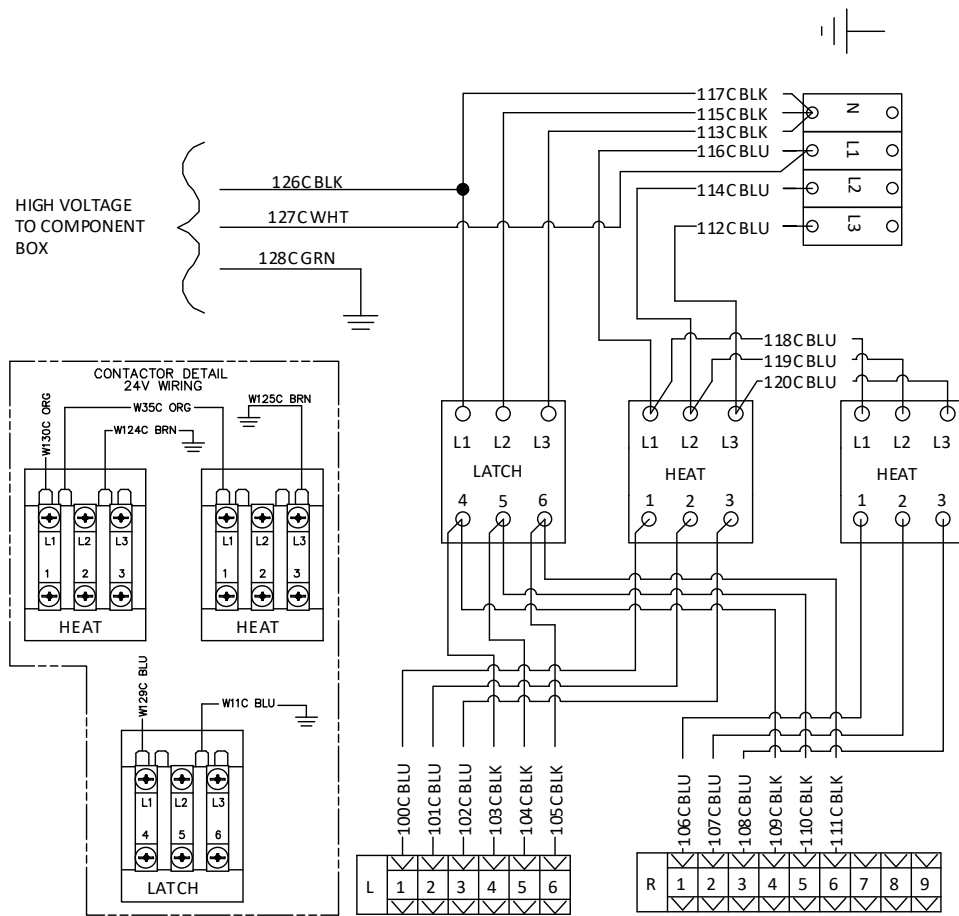
1.13.11 Contactor Box – Domestic, 17 kW



1.13.12 Contactor Box – Domestic, 21 kW

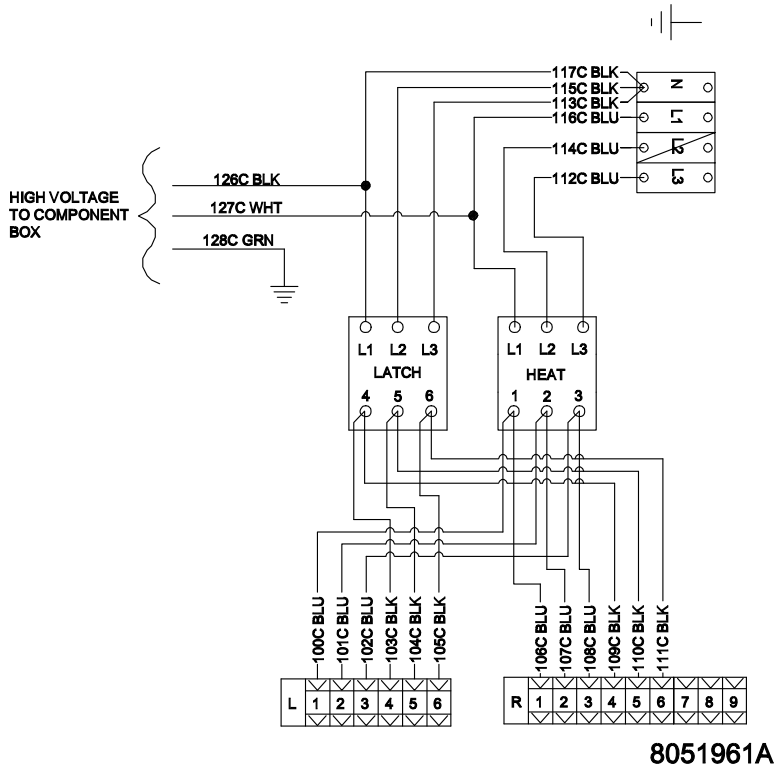


1.13.13 Contactor Box – Export 17kW and 21kW

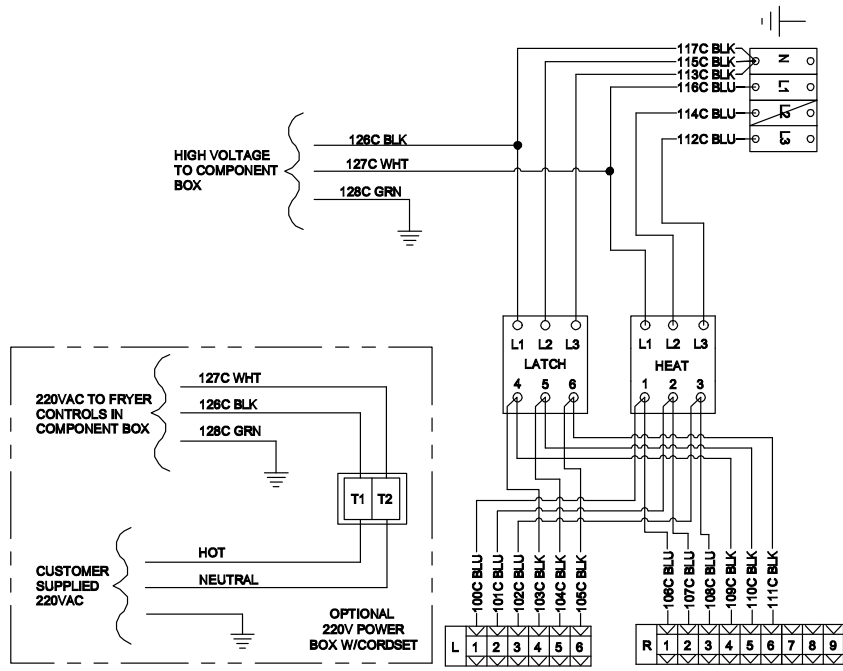


8051823E

1.13.14 Contactor Box – Export (Chinese Foshan) 17kW and 21kW



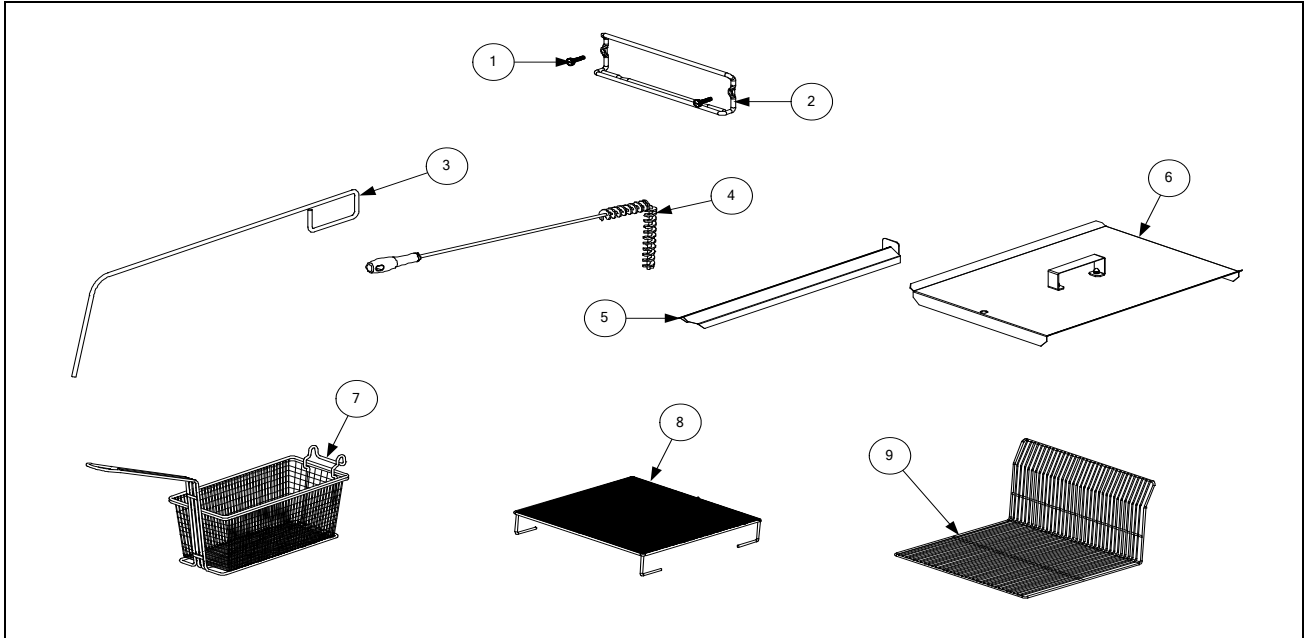
1.13.15 Contactor Box – Export KFC India 17kW



E4 SERIES HIGH PRODUCTION RE ELECTRIC FRYERS

CHAPTER 2: PARTS LIST

2.1 Accessories

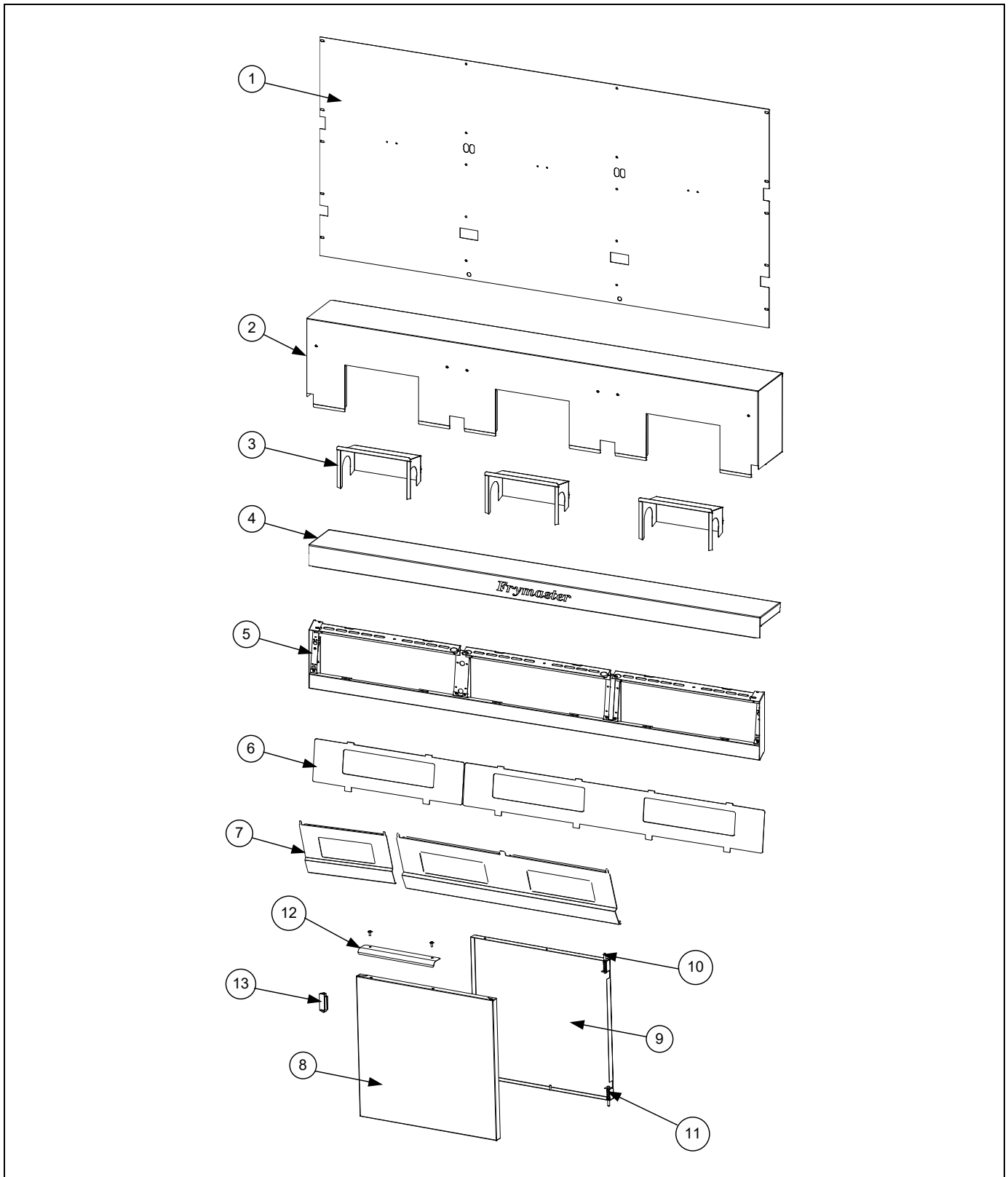


ITEM	PART #	COMPONENT
1	8090985	Thumbscrew, ¼ -20 X 1⅜-inch
2	8102794	Basket Hanger
*	2304318	Basket Hanger, KFC
*	8090941	Spacer, Basket Hanger
*	8090905	Thumbscrew
3	8030197	Cleanout Rod, 27-inch
4	8030278	Brush, Teflon, L-shaped
5		Joiner Strip
	2304766	Standard
	8237922	Church's/Popeye's
	2309451	KFC India
	2305382	Battering Strip (Standard, 1 per 5-vat or 6-vat unit)
	8237100	Battering Strip (Church's, 1 per 5-vat or 6-vat unit)
	8236341	Caster Battering Plate
6	1080220	Frypot Cover
*	1080217	Frypot Cover, Church's
7	8030304	Basket, Twin
8	8030387	Grid, Basket Support
9	8103066	Grid, Basket Support, Church's
*	8030293	Gloves, Hot Oil/Neoprene (pair)
*	8030342	Powder, Filter (25 count box)
*	8030345	Pack, 100-Sheet Filter Paper 17" X 33.25"
*	8237109	Splash Guard
*	8237169	Splash Guard, Church's or Popeye's

* Not illustrated.

2.2 Cabinetry

2.2.1 Back Panels, Tilt Housings, Top Caps, and Doors



2.2.1 Back Panels, Tilt Housings, Top Caps, and Doors (cont.)

ITEM	PART #	COMPONENT
1		Back, Cabinet
		Standard
	2400189	x1
	2205034	x2, x4 (2), x5 (1)
	2205149	x3, x5 (1), x6 (2)
	2207582	Single Filter Cabinet
	2400190	With Basket Lift
		KFC with Over the Top Filtration
	2209416	x1
	2400393	x2, x4 (2), x5 (1)
	2400392	x3, x5 (1), x6 (2)
		Church's/Popeye's
	2205313	x1
	2205314	x2, x5 (1), x4 (2)
	2205315	x3, x5 (1), x6 (2)
2		Tilt Housing
	8237019	x1
	8236947	x2
	8236874	x3
	8237022	x4
		KFC with Over the Top Filtration
	8237014	x1
	8236782	x2
	8237133	x3
		Church's/Popeye's
	8237072	x1
	8237073	x2, x5 (1)
	8237074	x3, x5 (1), x6 (2)
	8237075	x4
3	8235440	Cove, Element Tilt Housing
4		Top Cap
		Frymaster
	1083141	x1
	1083142	x2, x5 (1)
	1083143	x3, x5 (1), x6 (2)
	1083144	x4
		Dean
	1080034	x1
	1080040	x2, x5 (1)
	1080042	x3, x5 (1), x6 (2)
	1080036	x4
		Church's/Popeye's
	1083364	x1
	1083365	x2, x5 (1)
	1083366	x3, x5 (1), x6 (2)
	1083367	x4

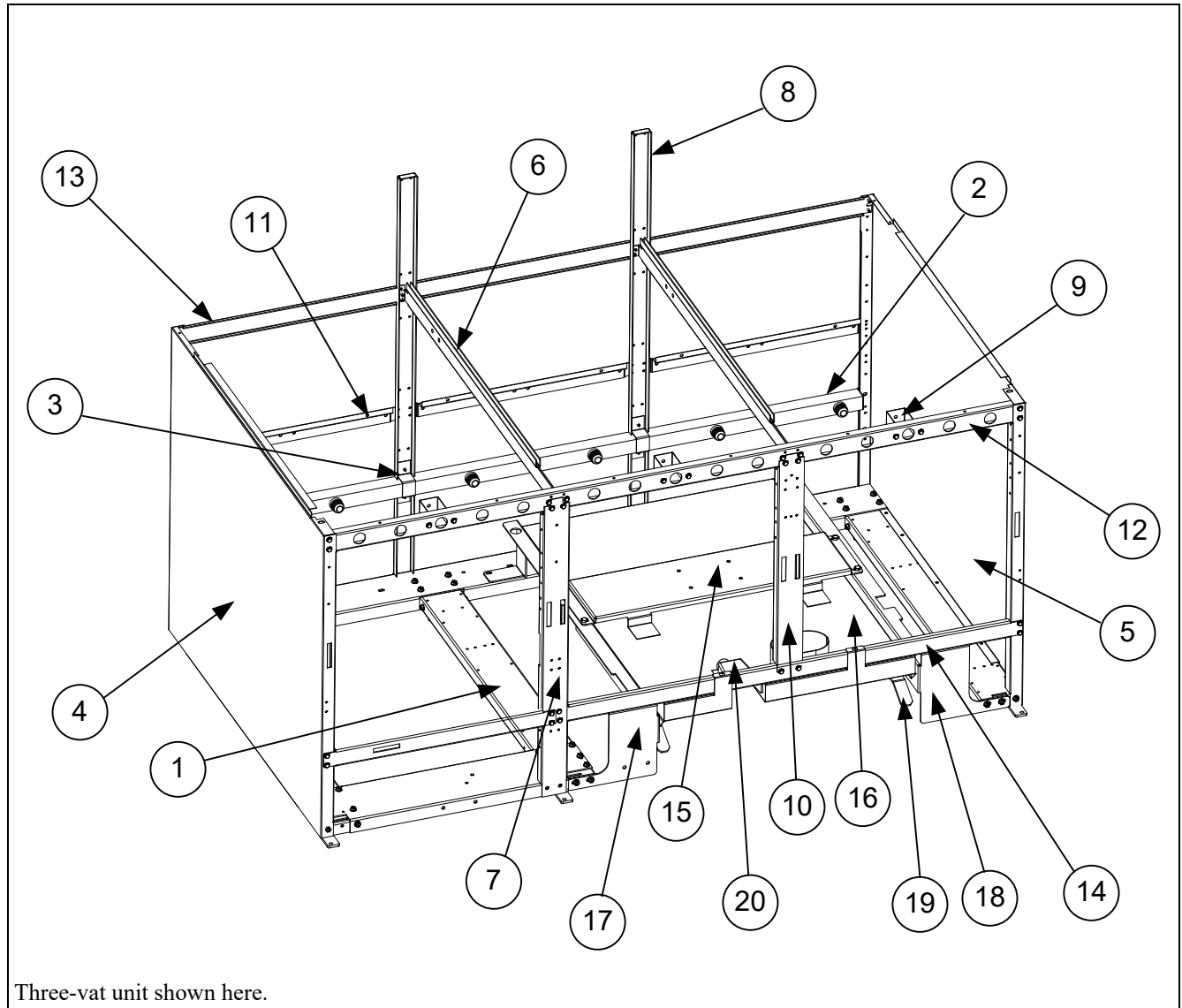
* Not illustrated.

2.2.1 Back Panels, Tilt Housings, Top Caps, and Doors (cont.)

ITEM	PART #	COMPONENT
5		Control Frame
		Standard, Church's/Popeye's
	1085134	x1
	1085320	x2, x5 (1)
	1085381	x3, x5 (1), x6 (2)
	1085380	x4
		FAST
	1068427	x1
1067661	x2	
1069789	x3	
6		Computer Bezel (Old Style)
		Standard
	2300489	x1, x3 (1), x5 (1)
	2108175	x2, x3 (1), x4 (2), x5 (2), x6 (3)
		KFC
	2305478	x1, x3 (1), x5 (1)
	2305477	x2, x3 (1), x4 (2), x5 (2), x6 (3)
		K3000
2307720	x1, x3 (1), x5 (1)	
2307721	x2, x3 (1), x4 (2), x5 (2), x6 (3)	
2304771	With Switch Cut-out (1 per wand connection for Church's/Popeye's)	
7		Computer Bezel (New Unified Style)
		Standard
	2600406	x1,
	2600460	x2, x4 (2), x5 (2),
	2600502	x3, x5 (1), x6 (3)
	2600508	x1, (With Switch Cut-out on right for Church's/Popeye's)
	2600510	x2, x4 (2), x5 (2), (With Switch Cut-out on right for Church's/Popeye's)
	2600512	x3, x5 (1), x6 (3) (With Switch Cut-out on right for Church's/Popeye's)
	2600507	x1, (With Switch Cut-out on Left)
	2600587	x1, Spreader Blank
		KFC (FAST or F3000)
	2305480	x1, x2 (2), x3 (3), x4 (4), x5 (5), x6 (6)
		3000 or KFC K3000
	2600410	x1,
	2600430	x2, x4 (2), x5 (2),
	2600503	x3, x5 (1), x6 (3)
	2600509	x1, (With Switch Cut-out on right for Church's/Popeye's)
	2600511	x2, x4 (2), x5 (2), (With Switch Cut-out on right for Church's/Popeye's)
2600513	x3, x5 (1), x6 (3) (With Switch Cut-out on right for Church's/Popeye's)	
1064309	Door, Left or Right (Left shown – move handle to opposite side for Right) - Standard	
1068511	Door, Left or Right (Left shown – move handle to opposite side for Right) - KFC	
8	2108075	Panel, Door (use 230-3730 for KFC)
9	2008076	Panel, Liner
10	1064067	Pin Assembly
11	8100275	Spring, Door Hinge/Pin
12	2108077	Handle (use 810-3335 for KFC)
13	8102346	Magnet

* Not illustrated.

2.2.2 Cabinets, Bases, Braces, and Associated Parts



ITEM	PART #	COMPONENT
1		Base Assembly
	1068224	x1, Filter Cabinet
	1066534	x2, Filter Cabinet
	1065622	x3, Filter Cabinet
	1064424	x4, Filter Cabinet
	1065622	x5, Filter Cabinet
	1065622	x6, Filter Cabinet
	1066643	x1, Non-filter Cabinet
	1066436	x2, Non-filter Cabinet
	1069425	x3, Non-filter Cabinet
2		Oil Return Manifold
	8103118	x2, x5 (1)
	8103121	x3, x5 (1), x6 (2)
	8103120	x4
3	2202082	Strap, Manifold Brace (x2, x3)

* Not illustrated.

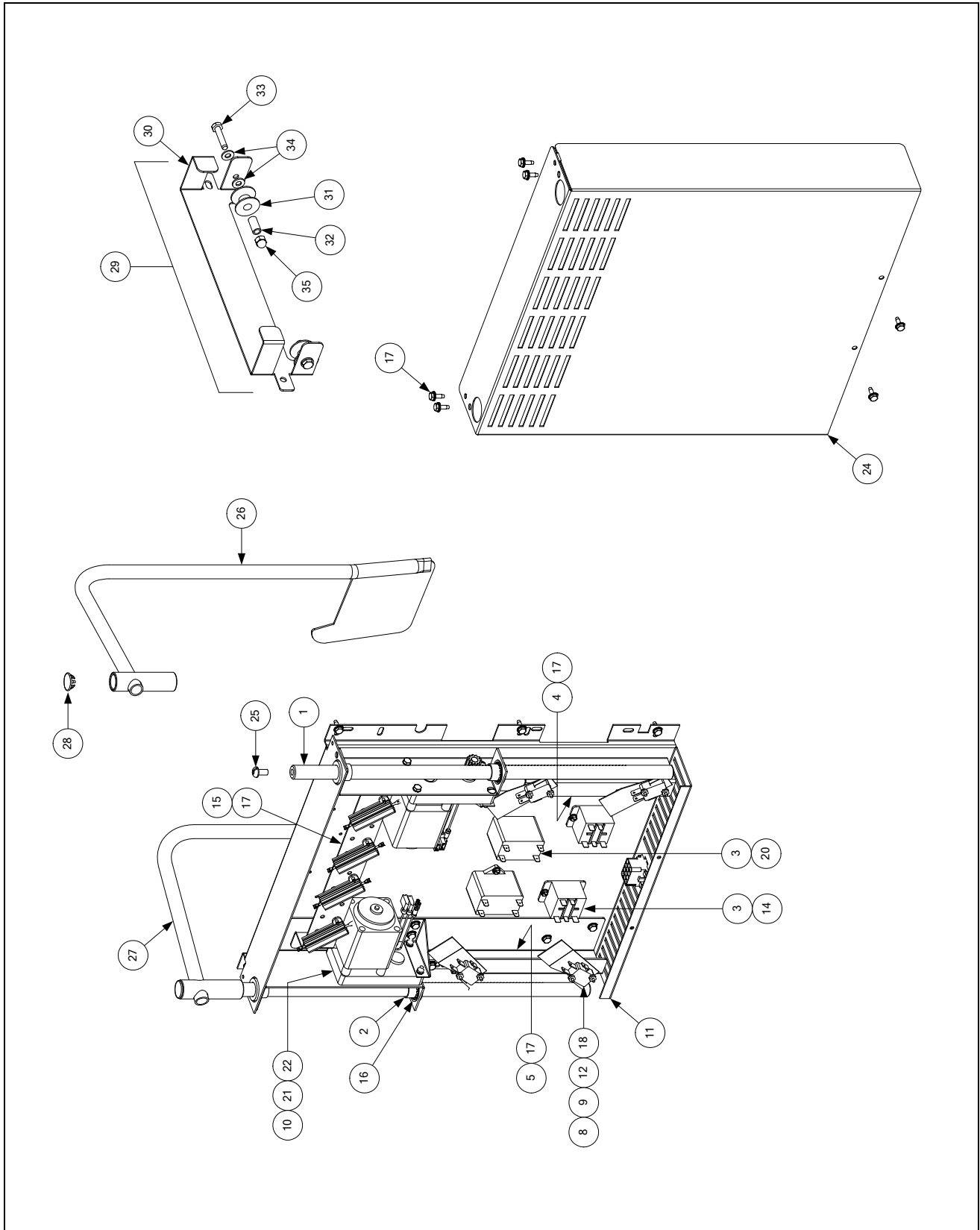
2.2.2 Cabinets, Bases, Braces, and Associated Parts cont.

ITEM	PART #	COMPONENT
		Cabinet Sides
4	2314896	Side, Stainless Steel, Left
5	2324896	Side, Stainless Steel, Right
	2215073	Side, Painted, Left
	2225073	Side, Painted, Right
	2215170	Side, Inner, Left (x5 and x6 units)
	2225170	Side, Inner, Right (x5 and x6 units)
6	2205983	Divider (multi-vat units)
		Post
7	2205112	Front (all x2, x4, x5, x6 units and x3 filter cabinet)
8	2202250	Front (x3 non-filter cabinet)
9	2205032	Rear, Standard
*	2205210	Rear, Church's/Popeye's
10	2204937	Brace, Frypot Locating
*	2205979	Brace, Pump Motor Support
*	2205490	Mount, Contactor Box (x1)
11	2204860	Bracket, Lower Spring
12		Brace, Upper Cabinet, Front
	2200274	x1
	2009590	x2, x5 (1)
	2200608	x3, x5 (1), x6 (2)
		x4
13		Brace, Upper Cabinet, Rear
	2200274	x1
	2201809	x2, x3, x4, x5, x6
14		Brace, Lower Cabinet, Front
	2205267	x1
	2204999	x2, x3 (1), x5 (1)
	2008100	x3 (1), x4 (2), x5 (3), x6 (4)
		Brace, Lower Cabinet, Rear
	2204570	x2
	2204569	x3
15	8241966	Bridge, Filter
16		Filter Pan Lid (<i>see next section</i>)
17	2212576	Rail, Left
18	2222576	Rail, Right
19	8233347	Frame, Slide Base
20	8236450	Bracket, Disconnect
*	8261115	Leg Assembly (includes 810-3168)
*	8261118	Caster Assembly with Brake (includes 810-0357)
*	8261117	Caster Assembly without Brake (includes 810-0356)
*	8260900	Chain Restraint Kit (required for all caster installations)

* Not illustrated.

2.3 Basket Lift Assembly and Associated Parts

2.3.1 Basket Lift Assembly and Associated Parts - Feb. 2004 to Feb. 2017

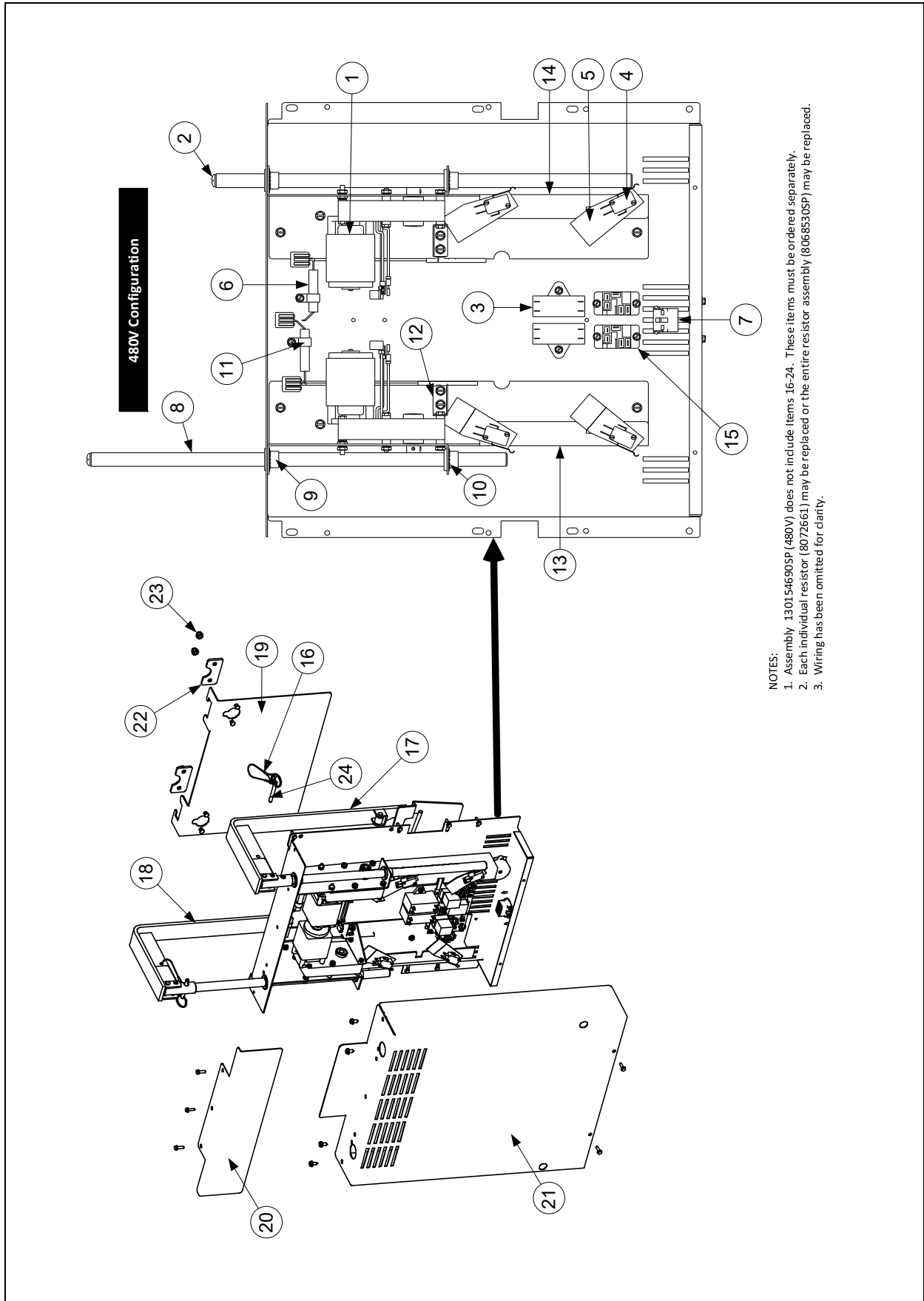


2.3.1 Basket Lift Assembly and Associated Parts (cont.) - Feb. 2004 to Feb. 2017

ITEM	PART #	COMPONENT
	1063775	Basket Lift Assembly, 100-120VAC
	1064147	Basket Lift Assembly, 208-220VAC
	1064148	Basket Lift Assembly, 230-240VAC
1	8101012	Rod, Basket Lift
2	8130035	Bushing, Bronze
3	8072513	Capacitor, 12.5 μ Farad 330VAC
4	9018499	Chassis, Left Basket Lift
5	9028499	Chassis, Right Basket Lift
6	8070159	Connector, 12-Pin Female
7	9005529	Gusset, Basket Lift Motor
8	8120442	Insulation, Microswitch
9	8072572	Microswitch
10	8065964SP	Motor Assembly, 208-240VAC Modular Basket Lift
11	2006455	Mount, Modular Basket Lift
12	8261366	Nut, 4-40 Hex Keps (Pkg. of 25)
13	8090247	Nut, 8-32 Hex Keps
14	8071683	Relay, 12VDC
15		Resistor Assembly
	8068530SP	100-120VAC Modular Basket Lift
	1062770SP	208-220VAC Modular Basket Lift
	1062771SP	230-250VAC Modular Basket Lift
16	8090082	Ring, Bushing Retainer
17	8261374	Screw, #10 X 1/2-inch Hex Washer Head (Pkg. of 25)
18	8261359	Screw, 4-40 X 3/4-inch Slotted Round Head (Pkg. of 25)
19	8261361	Screw, 8-32 X 1-inch Slotted Truss Head (Pkg. of 25)
20	8261371	Screw, #8 X 1/2-inch Drill Point Hex Head (Pkg. of 25)
21	8090503	Screw, 8-32 X 1/2-inch Hex Head
22	8090186	Washer, #8 Lock
23	WIR0166SP	Wire Bundle, 200-250VAC Basket Lift w/Relay
24	2006454	Cover, Modular Basket Lift Rear
25	8090127	Screw, 1/4-20 X 1/2-inch Slotted Round Head
26	8237993	Arm, Left Basket Lift
27	8237994	Arm, Right Basket Lift
28	8100179	Button, Plug
29	1080617	Roller Assembly, Basket Lift
30	8237188	Bracket, Basket Lift Roller
31	8100194	Roller, Basket Lift
32	8100374	Spacer, Basket Lift Roller
33	8090508	Bolt, 1/4-20 X 1 1/4 -Inch
34	8090190	Washer, 1/4-inch Flat
35	8090990	Nut, 1/4-20 Crown Acorn
*	1082649	Wiring Harness, Basket Lift
*	8241353	Basket Lift Drip Weldment, Right
*	8241351	Basket Lift Drip Weldment, Left

* Not illustrated.

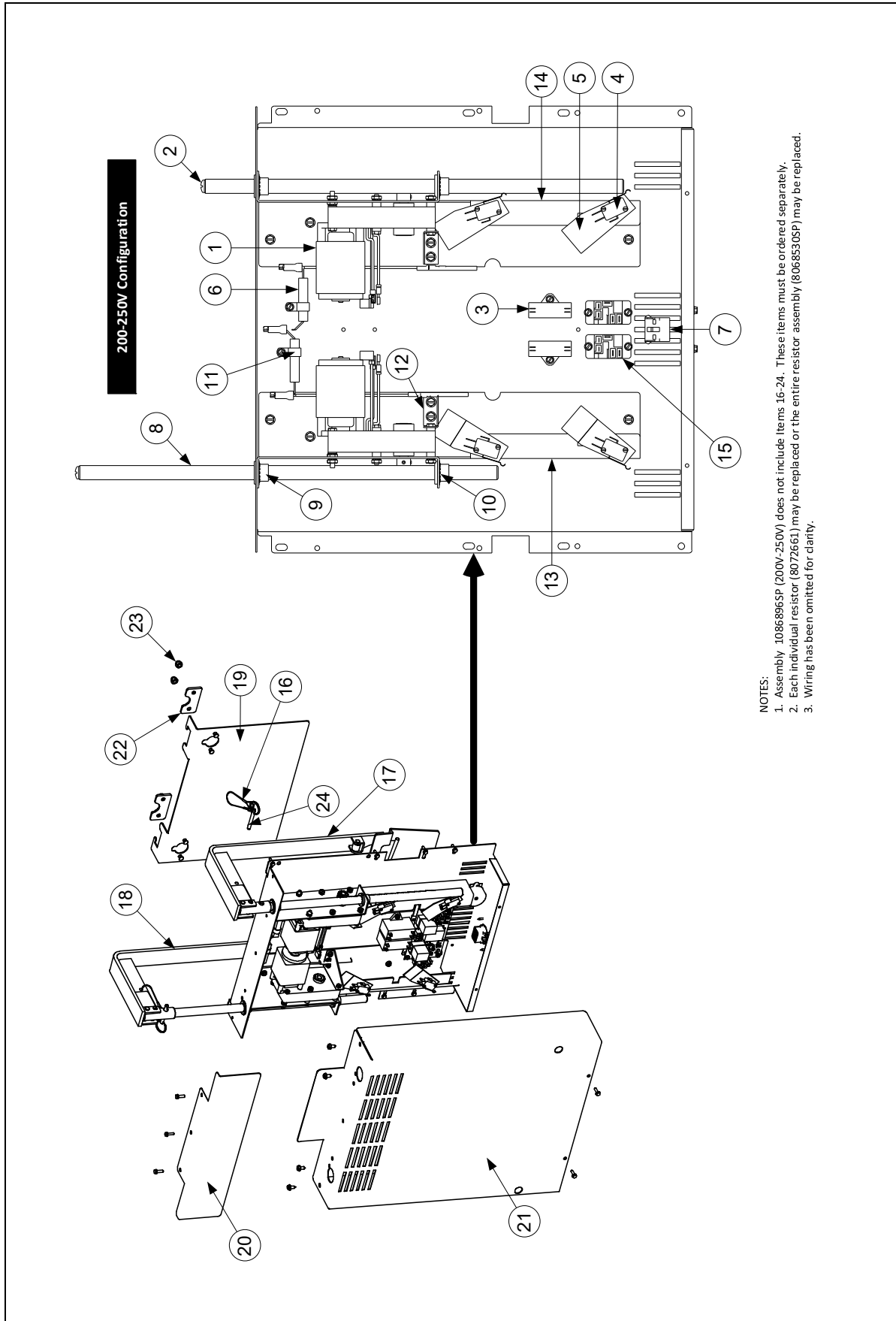
2.3.2 Basket Lift Assembly and Associated Parts - 480V - After May 2022



2.3.2 Basket Lift Assembly and Associated Parts - 480V - After May 2022

ITEM	PART #	COMPONENT
		Basket Lift Assemblies (<i>see Note 1 in illustration</i>)
A	130154690SP	Basket Lift Assy, 480VAC (<i>Items 1-15</i>)
1	1084181SP	Motor Assy, 120VAC Modular Basket Lift
2	8090129	Screw, 1/4-20 X 5/8 Slotted Round Head
3	8072513	Capacitor, Motor Run 12.5 MFD 330VAC
4	8072572	Microswitch
5	8120442	Insulation, Microswitch Box
6	8068530SP	Resistor Assembly 120V Basket Lift (<i>see Note 2 in illustration</i>)
7	8070159	Connector, 12 Pin Plug Housing
8	8101012	Rod, Modular BL
9	8130035	Bushing, Bronze
10	8090082	Ring, Bushing Retainer 3/4 Truarc
11	8090810	Clamp, Nylon
12	2209678	Gusset, Reversing Basket Lift Motor
13	2229624	Chassis, H55 Modular Basket Lift
14	2219624	Chassis, H55 Modular Basket Lift
15	8071683	Relay, 12VDC
16	8104854	Lanyard, w/Ring
17	8239492	Arm, Left (<i>Illustration May Slightly Differ</i>)
18	8239493	Arm, Right (<i>Illustration May Slightly Differ</i>)
19	2602131	Guide, B/L Arm (<i>Illustration May Slightly Differ</i>)
20	2401693	Shield, Rear Modular B/L Cover
21	2401708	Cover, Modular B/L (<i>Illustration May Slightly Differ</i>)
22	2601474	Cover, Basket Hanger Rivet B/L
23	8090047	Nut, Cap 1/4" -20
24	8104852	Pin, 1/4" X 1-5/16" Quick Release

2.3.3 Basket Lift Assembly and Associated Parts - 200V-250V - After Feb. 2017

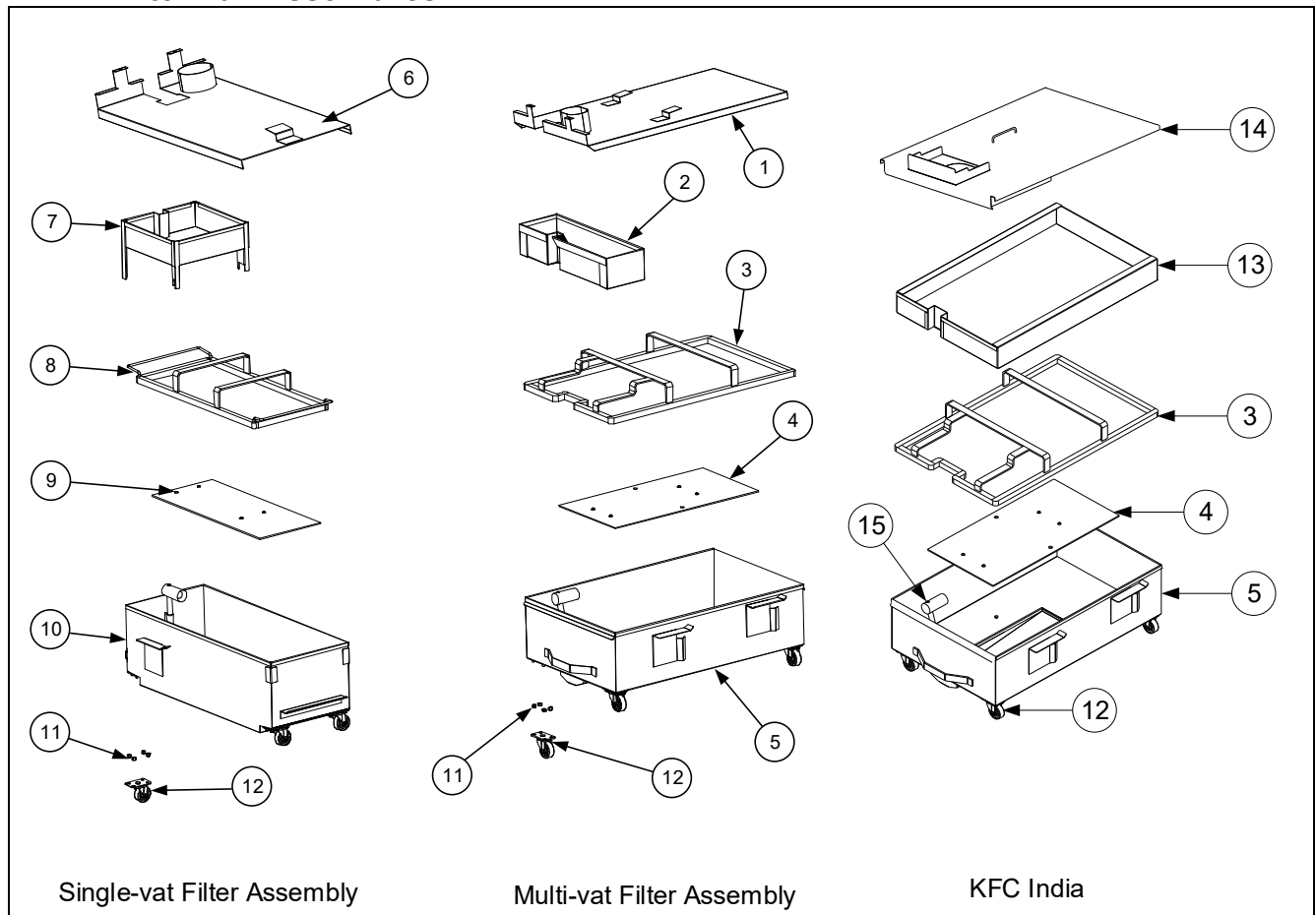


2.3.3 Basket Lift Assembly and Associated Parts - 200V-250V - After Feb. 2017

ITEM	PART #	COMPONENT
		Basket Lift Assemblies (<i>see Note 1 in illustration</i>)
A	1086896SP	Basket Lift Assy, 200V-250V (<i>Items 1-15</i>)
1	1085031SP	Rev Motor Assy, Basket Lift w/Gear 208V-250V
2	8090129	Screw, 1/4-20 X 5/8 Slotted Round Head
3	8076253	Capacitor, Motor Run 4.0 MFD 440VAC
4	8072572	Microswitch
5	8120442	Insulation, Microswitch Box
6	8068530SP	Resistor Assembly 120V Basket Lift (<i>see Note 2 in illustration</i>)
7	8070159	Connector, 12 Pin Plug Housing
8	8101012	Rod, Modular BL
9	8130035	Bushing, Bronze
10	8090082	Ring, Bushing Retainer 3/4 Truarc
11	8090810	Clamp, Nylon
12	2209678	Gusset, Reversing Basket Lift Motor
13	2229624	Chassis, H55 Modular Basket Lift
14	2219624	Chassis, H55 Modular Basket Lift
15	8071683	Relay, 12VDC
16	8104854	Lanyard, w/Ring
17	8239492	Arm, Left (<i>Illustration May Slightly Differ</i>)
18	8239493	Arm, Right (<i>Illustration May Slightly Differ</i>)
19	2602131	Guide, B/L Arm (<i>Illustration May Slightly Differ</i>)
20	2401693	Shield, Rear Modular B/L Cover
21	2401708	Cover, Modular B/L (<i>Illustration May Slightly Differ</i>)
22	2601474	Cover, Basket Hanger Rivet B/L
23	8090047	Nut, Cap 1/4" -20
24	8104852	Pin, 1/4" X 1-5/16" Quick Release

2.4 Filtration System Components

2.4.1 Filter Pan Assemblies



ITEM	PART #	COMPONENT
	1067674SP	Filter Assembly, Multi-vat, Paper Filtration
1	8236943	Lid, Filter Pan (use 8238946 for Poland)
2	8236172	Crumb Basket
3	8103195	Hold-down Ring
4	1067330	Sana Grid
5	8237534	Filter Pan
	1080253	Filter Assembly, Multi-vat, Screen Filtration
*	8236466	Crumb Basket
*	8102350	Filter Screen/Leaf
*	8237112	Suction Tube
*	8102583	Fitting, Bottom, Filter Screen/Leaf
*	8102582	Fitting, Bulk Head, Filter Screen/Leaf
*	8237111	Filter Pan

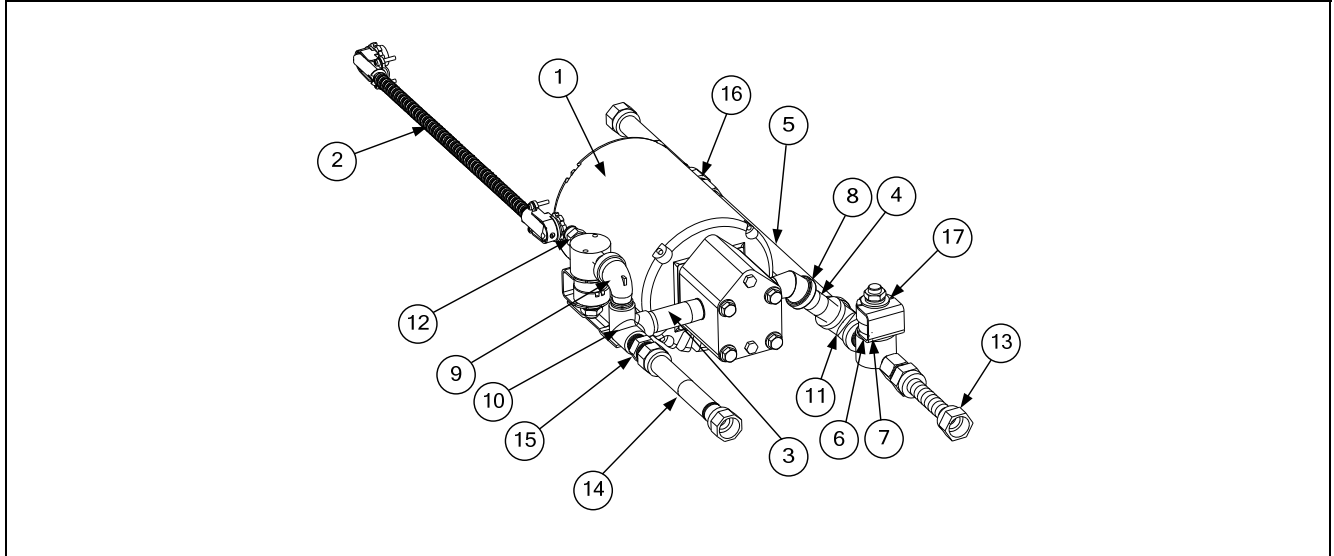
* Not illustrated.

2.4.1 Filter Pan Assemblies (cont.)

ITEM	PART #	COMPONENT
	1068398	Filter Assembly, Single-vat, Paper Filtration
6	8236508	Lid, Filter Pan
7	8237386	Crumb Basket
8	8103328	Hold-down Ring (use 812-2195 for use with 803-0173 filter paper)
9	1081029	Sana Grid
10	8237359	Filter Pan
11	8090823	Nut
12	8102805	Caster
	1082428	Filter Assembly, Multi-vat, Paper Filtration KFC India
13	8237904	Crumb Basket
14	8238571	Lid, Filter Pan
15	8130568	Pipe, Plug 1/8 NPT
*	8261979	Roller Kit (<i>includes 4 rollers, 4 nuts and 4 lock washers</i>)

* Not illustrated.

2.4.2 Filter Pump

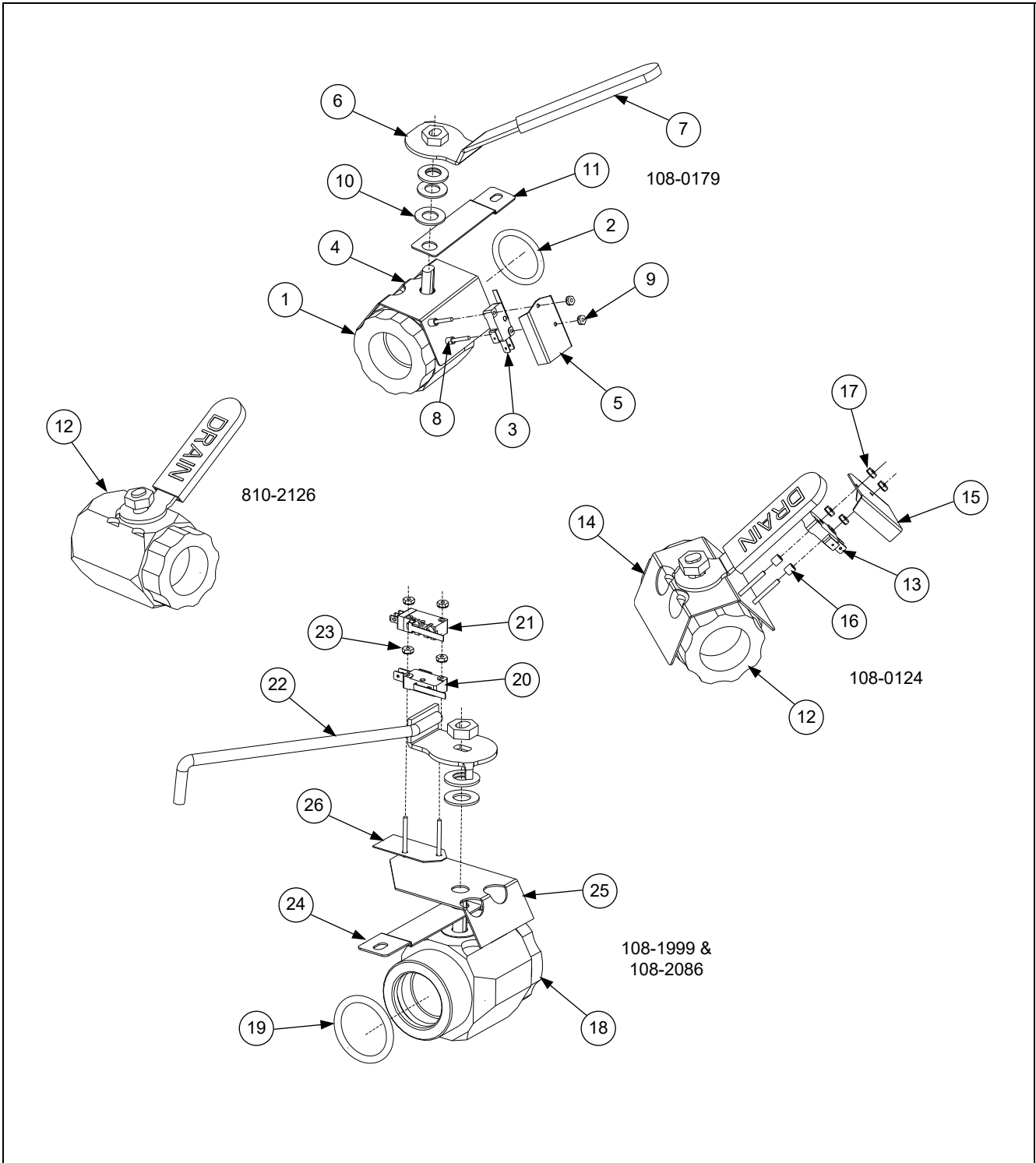


ITEM	PART #	COMPONENT
1		Filter Pump Components
	8160093	Pump Gasket
	8263192	8 GPM Pump
	8263191	4 GPM Pump
	8261712	120V Filter Motor, Gasket
	8261756	208V Filter Motor, Gasket
	8261270	220-240V Filter Motor, Gasket
	8091020	Cap Screw to Connect Pump to Motor
2	1069918	Harness Assembly, Filter Pump
3	8130265	Nipple, 1/2" x 2.5" NPT BM
4	8130298	Nipple, 1/2" x 2.0" NPT BM
5	8130698	Nipple, 1/2" x 10.5" NPT BM
6	8130838	Nipple, 1/4" NPT BM, Close
7	8130304	Bushing, 1/2" x 1/4" BM, Flush
*	8130763	Bushing, 3/4" OD x 1/2" ID NPT, Flush
*	8130889	Elbow, 1/2", 90°
8	8130342	Elbow, Street, 45°, 1/2"NPT
9	8130165	Elbow, Street, 1/2" x 1/2" NPT, 90° BM
10	8130331	Elbow, Side Outlet, 1/2" NPT
11	8130003	Tee, 1/2" x 1/2" x 1/2" BM
12	8103257	Fitting, 1/4" NPT
13	8101339	Flexline, 5/8" x 4.5" Long
14	8101680	Flexline, 5/8" OD x 4.5" Long
15	8101668	Adaptor, Male, 5/8" OD x 1/2"
16	8101669	Adaptor, Female, 7/8" OD x 1/2"
17	1063470	Solenoid Valve (with Female Pins)
*	8130436	Plug, 1/2" Counter Sink

* Not illustrated.

2.5 Drain System Components

2.5.1 Drain Valve Assemblies

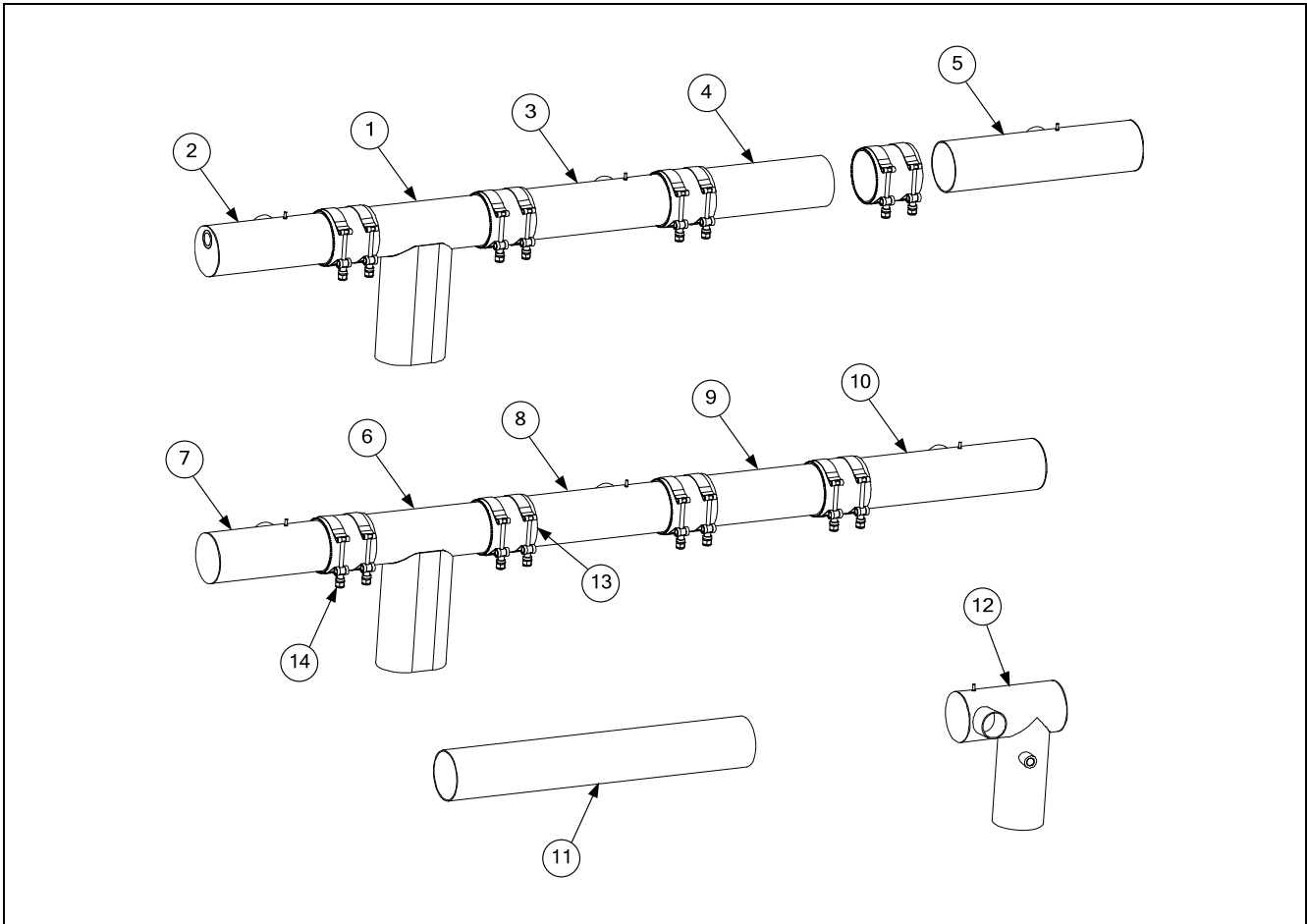


2.5.1 Drain Valve Assemblies (cont.)

ITEM	PART#	COMPONENT
Drain Valve (units equipped with filtration)		
1	8102783	Valve, 1 ½" Full Port
2	8160544PK	O-ring (pack of 5)
3	8072103	Microswitch, Straight Lever, Drain Safety Switch
4	1063745	Bracket, Drain Safety Switch
5	2005694	Cover, Drain Safety Switch
6	2107077	Handle (multi-vat unit)
*	2307413	Handle (single unit)
7	8160405	Sleeve, Drain Handle, Red
8	8090349	Spacer, 4.0 mm x 6.0 mm
9	8090237	Nut, 4-40 Keps Hex (with extended teeth)
10	8090988	Washer, 1" x .525" ID, Teflon
11	2006116	Strap, Drain Valve Connecting, 1 ½" (single unit)
Drain Valve (units NOT equipped with filtration)		
12	8102126	Valve, 1 ¼" Full Port
13	8072103	Microswitch, Straight Lever, Drain Safety Switch
14	1069017	Bracket, Drain Safety Switch
15	9012348	Cover, Drain Safety Switch
16	8090349	Spacer, 4.0 mm x 6.0 mm
17	8090237	Nut, 4-40 Keps Hex (with extended teeth)
Drain Valve (K3000)		
18	8102783	Valve, 1 ½" Full Port
19	8160544PK	O-ring (pack of 5)
20	8072103	Microswitch, Straight Lever, Drain Safety Switch
21	8074936	Microswitch, Gold Plated, Sealed
22	8237749	Handle
23	8090237	Nut, 4-40 Keps Hex (with extended teeth)
24	2006116	Strap, Drain Valve Connecting, 1 ½" (single unit)
25	1082006	Stud Assembly
26	8160220	Insulation, Drain Safety Switch
Drain Safety Harness		
*	1069924	Standard
*	1060966	KFC1/CM4S
*	8075159	K3000
*	1067718	Wire Assembly, Jumper (for units with no float switch or drain switch)

* Not illustrated.

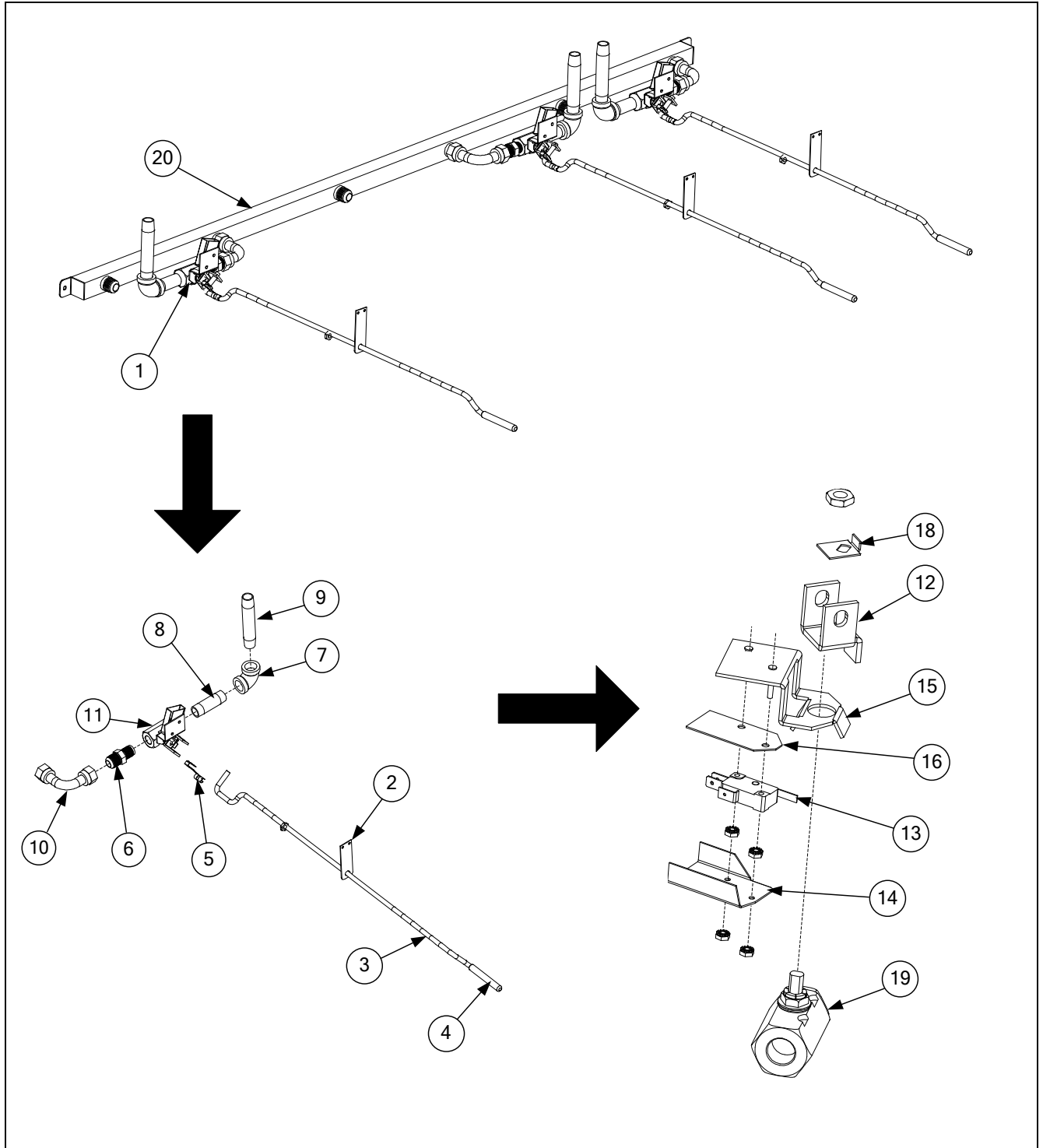
2.5.2 Drain System Plumbing



ITEM	PART#	COMPONENT
		Drain Plumbing
		With Drain Flush
1	8122078	Downspout, Center
2	8234681	Right, 8" Long (with coupling)
3	8235188	Right, 10.5" Long
4	2009365	Right, 9" Long (no drain connection)
5	8234844	Left, 12.5" Long (with coupling)
		Without Drain Flush
6	8122078	Downspout, Center
7	8237016	Right, 8" Long
8	8235188	Right, 10.5" Long
9	2009365	Right, 9" Long (no drain connection)
10	8237015	Left, 12.5" Long
*	8234844	Left, 12.5" Long (with coupling)
11	2006615	9" Long (no drain connection)
12	8122131	Downspout, Multi-height
13	8160772	Sleeve, Drain Connecting
14	8090969	Clamp, T-bolt
*	8160665	Vinyl Cap
*	8121226	Drain Extension, 1.25-inch
*	2205944	Drain Support (for spreader cabinets)

* Not illustrated.

2.6 Oil Return System Components

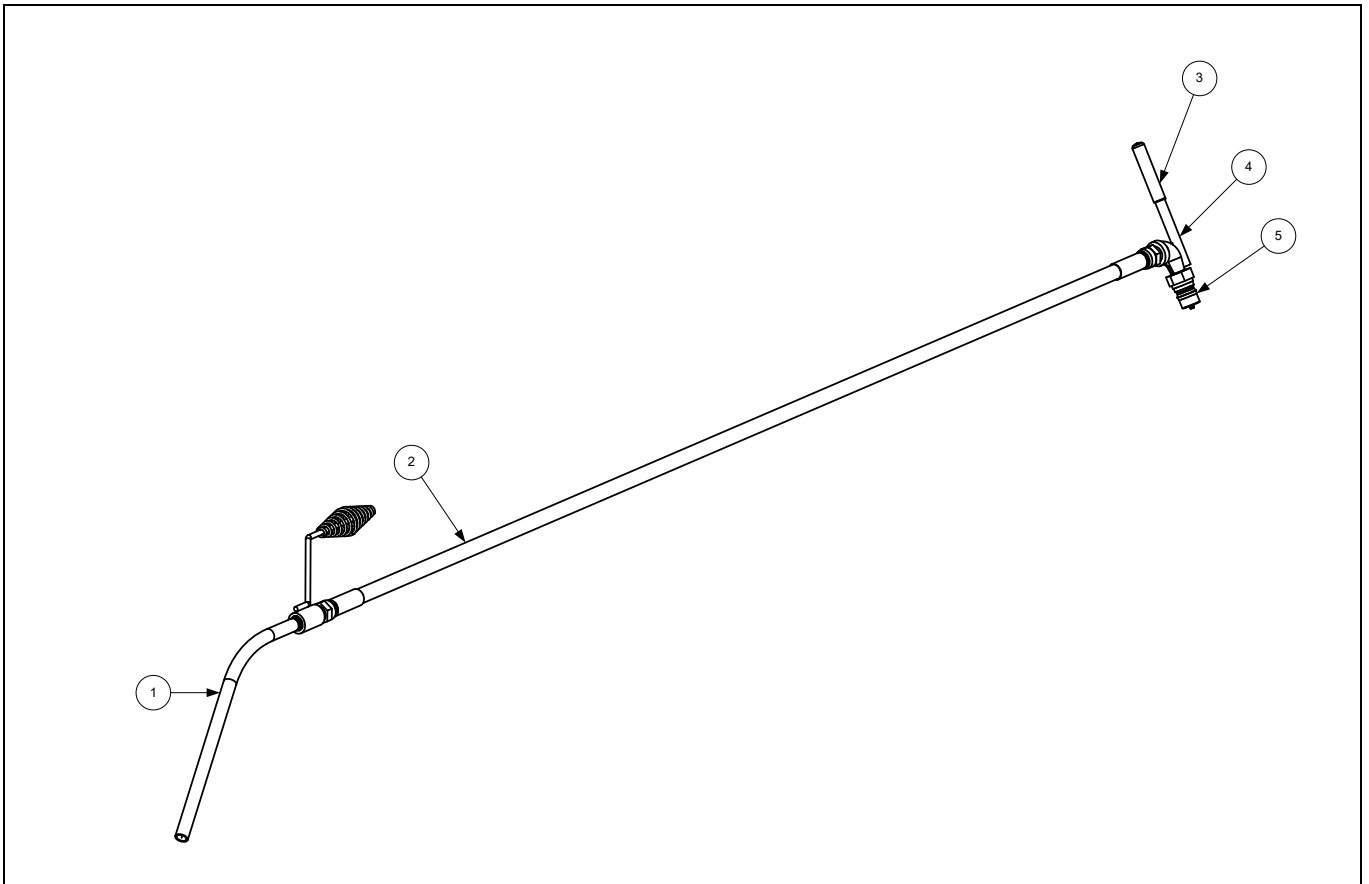


2.6 Oil Return System Components (cont.)

ITEM	PART #	COMPONENT
1		Oil Return Plumbing Assembly
	1069711	Left Assembly
	1069712	Right Assembly
	1080717	Single Assembly
*	1069928	Rear Harness
*	1064182	Jumper Harness
2	2204955	Handle Mount
3	2008929	Handle, Oil Return
4	8160638	Vinyl Cap, Yellow
*	8160637	Vinyl Cap, Blue
5	8090601	Clevis Clip, Rod End
6	8101668	Adapter, Male, 5/8" OD x 1/2"
7	8130062	Elbow, 1/2", 90° BM
*	8130165	Elbow, Street, 1/2 NPT, 90° BM
8	8130265	Nipple, 1/2 NPT x 2 1/2" BM
*	8130087	Nipple, 1/2 NPT x 1 1/2" BM
*	8130247	Nipple, 1/2 NPT x 3.5" BM
9	8130281	Nipple, 1/2 NPT x 5" BM
10	8101067	Flexline, 8.5"
*	8130003	Tee, 1/2 NPT BM
11	1064006	Valve Assembly
12	9012772	Handle
13	8072103	Microswitch, Straight Lever
14	2202459	Cover, Drain Safety Switch
15	1063962	Bracket Assembly, Microswitch
16	8160220	Insulation, Oil Return Microswitch
17	8261366	Nut, 4-40 Keps Hex (Pkg. of 25)
18	9002935	Retainer, Nut
19	8100278	Valve, 1/2" Ball
20		Oil Return Manifold
	8104191	x2, x5 (1), x6 (1) Church's
	8104192	x3, x5 (1), x6 (2)
	8104232	x4, x6 (1) Church's

* Not illustrated.

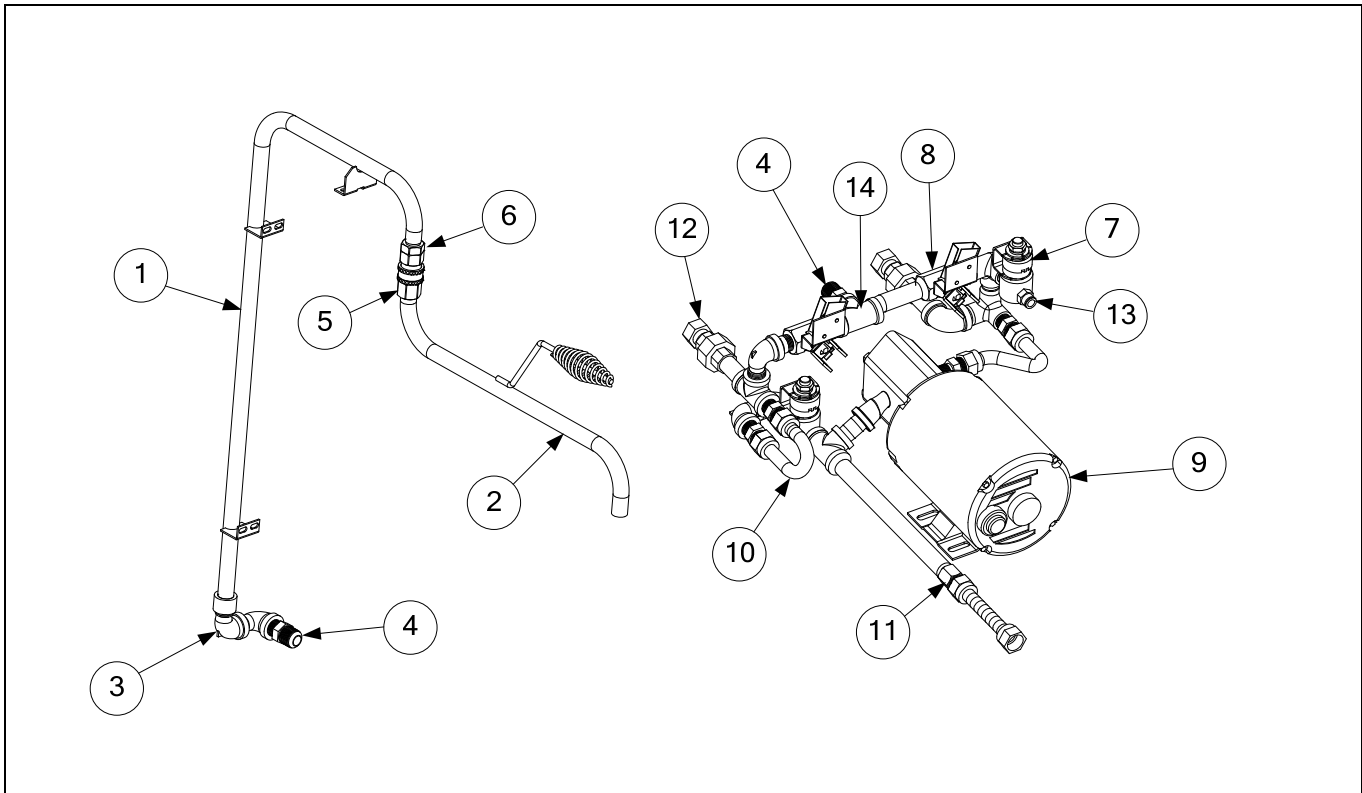
2.6.1 Oil Disposal Wand



ITEM	PART #	COMPONENT
	1080528	Oil Disposal Wand Assembly
1	1061454	Nozzle assembly with handle
2	8101434	Hose assembly
3	8160631	Cap, red vinyl
4	8237153	Handle
5	8100487	Coupling

* Not illustrated.

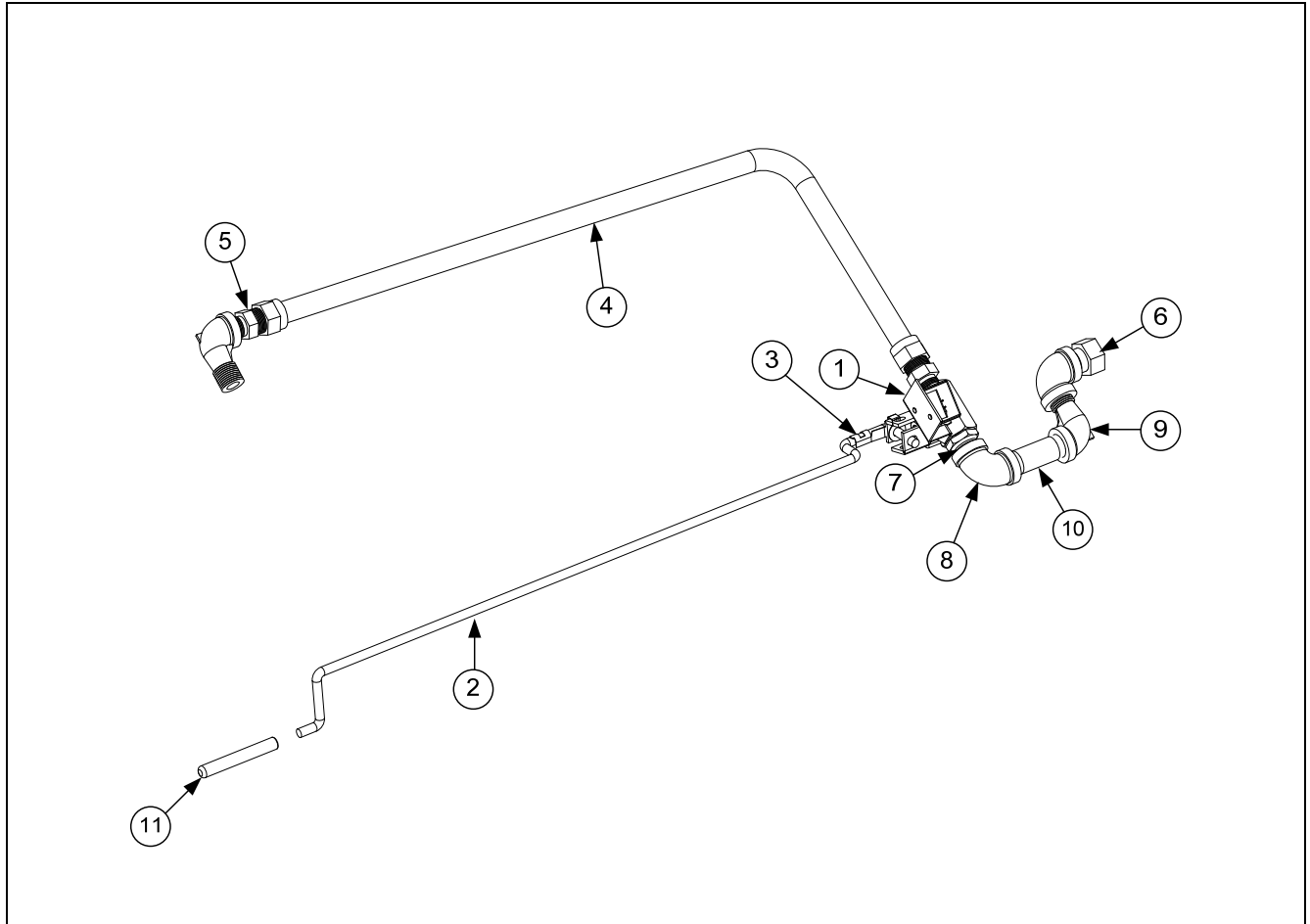
2.6.2 Over-the-Top Oil Return (KFC)



ITEM	PART #	COMPONENT
	1069693	Plumbing Assembly
1	8103468	Tubing, Over the Top
2	8102513	Tubing, Faucet Upper
3	8130165	Elbow, Street, 1/2" x 1/2" NPT, 90°
4	8101668	Adapter, Male, 5/8" OD x 1/2"
5	8102700	Nipple, Quick Disconnect
6	8102699	Coupling, Quick Disconnect
7	1063470	Valve, Solenoid, Female Pins
8	1064006	Valve, 1/2" Oil Return
9	8261712	120V Motor, Gasket
*	8262789	8 GPM Pump
10	8101159	Flexline, 5" Oil Return
11	8101669	Adapter, Female, 7/8 OD x 1/2"
12	8103160	Adaptor, 1/2" NPT x 15
13	8103257	Fitting, 1/4" NPT, 3/8" OD
14	8130003	Tee, 1/2" x 1/2" BM
*		Oil Return Manifold
*	8104193	x1
*	8104191	x2
*	8104192	x3

* Not illustrated.

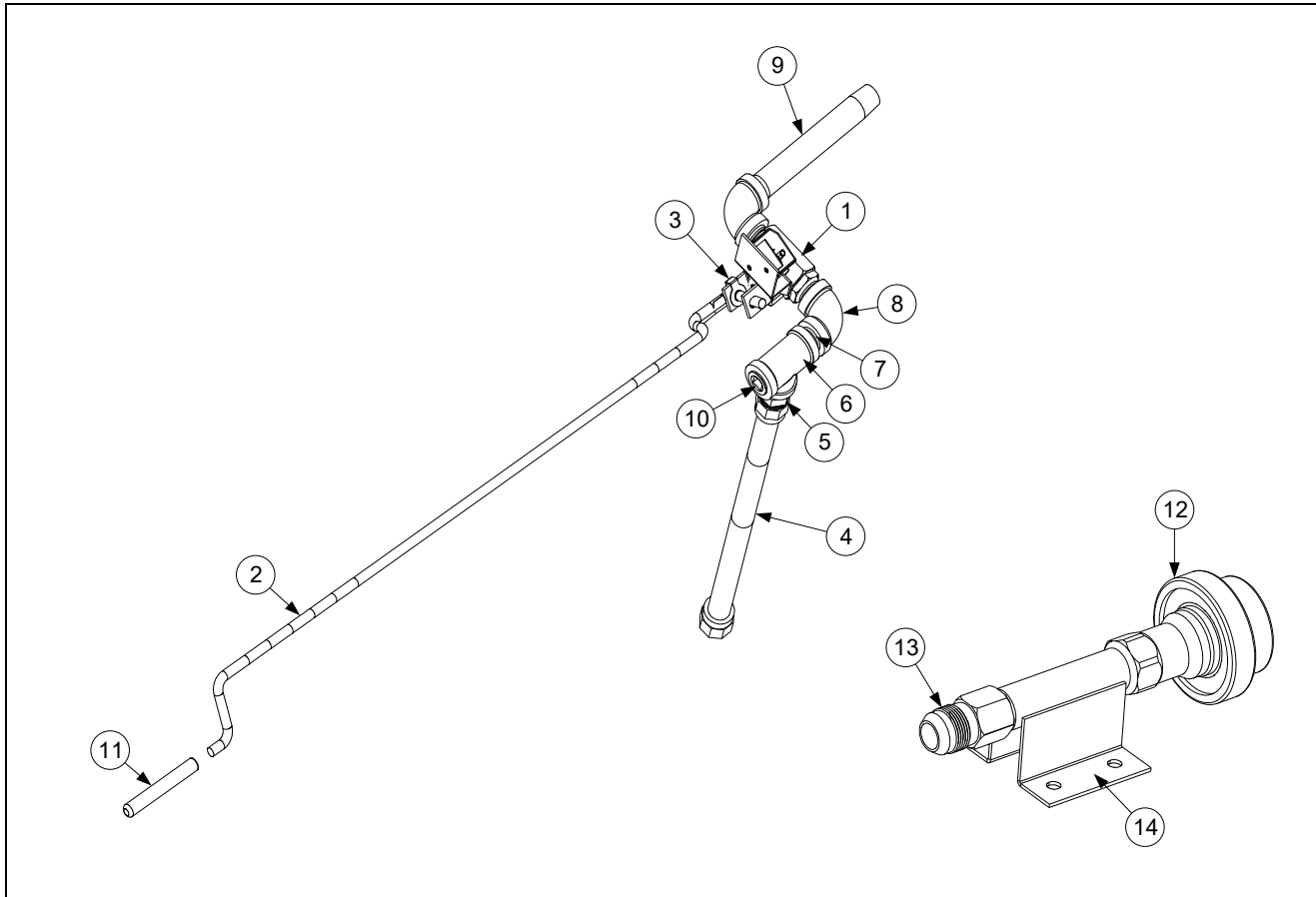
2.6.3 Drain Flush Plumbing



ITEM	PART #	COMPONENT
1	1064006	Valve Assembly, Oil Return, 1/2"
2	2008929	Handle, Oil Return
3	8090601	Clevis Clip, Rod End
4	8101069	Flexline, 5/8" x 29.50" Long
5	8101668	Adapter, Male 5/8" OD x 1/2"
6	8103160	Adapter, 1/2" NPT
7	8130022	Nipple, 1/2" x Close NPT BM
8	8130062	Elbow, 1/2", 90
9	8130165	Elbow, Street, 1/2" x 1/2" NPT, 90 BM
10	8130460	Nipple, 1/2" x 3.00 NPT BM
11	8160637	Cap, Vinyl, Blue
*	2204955	Handle Mount
*	1069929	Wiring Harness, Drain Flush

* Not illustrated.

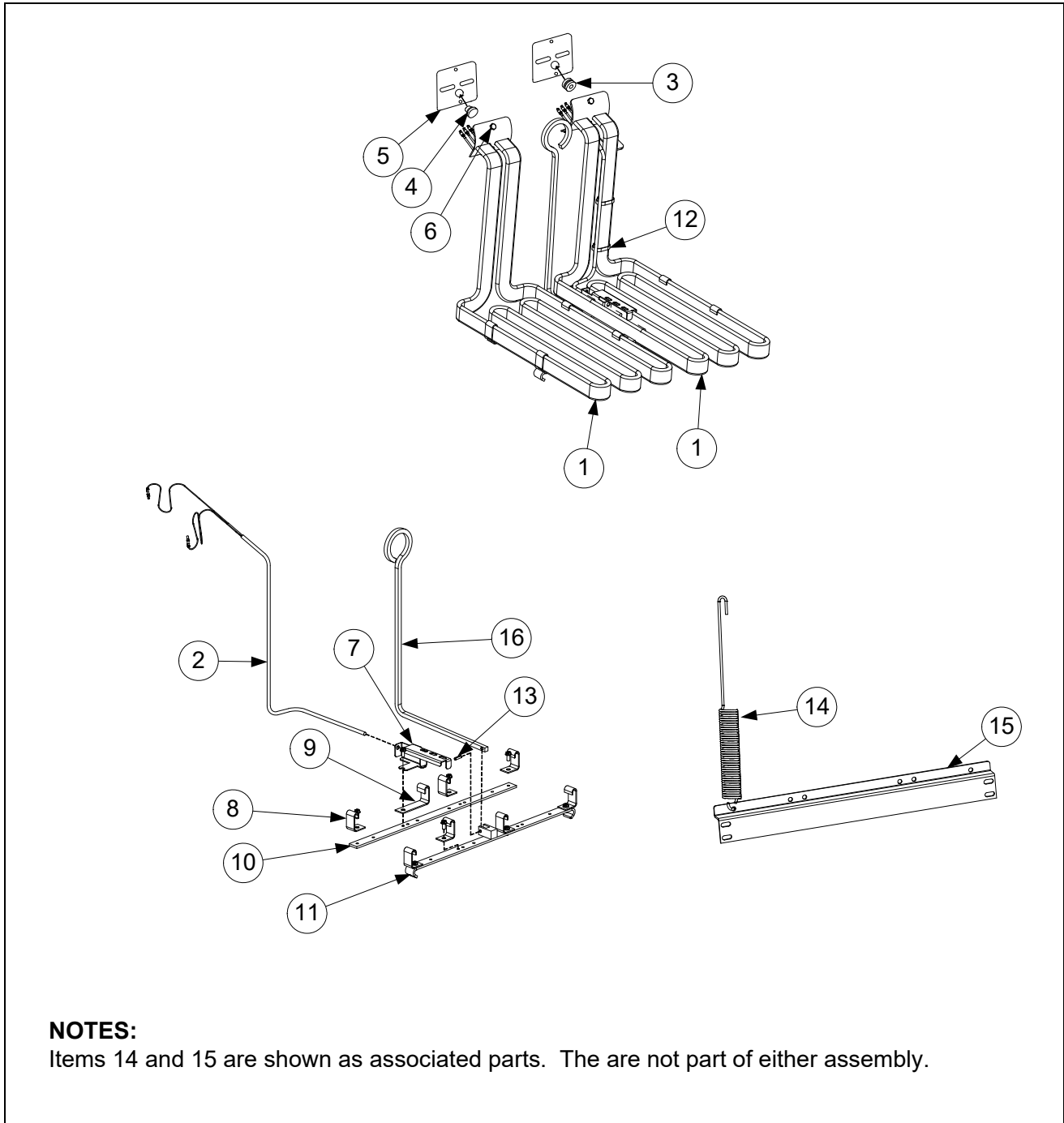
2.6.4 Rear Disposal Plumbing



ITEM	PART #	COMPONENT
1	1064006	Valve Assembly, Oil Return, 1/2"
2	2008929	Handle, Oil Return Valve Rod
3	8090601	Clip, Clevis LT Rod End
4	8101057	Flex Line, 5/8" OD x 13.00" Long
5	8101668	Adapter, Male 5/8" OD x 1/2"
6	8130003	Tee, 1/2" x 1/2" x 1/2" BM
7	8130022	Nipple, 1/2" x Close NPT BM
8	8130062	Elbow, 1/2" Blk 90 Degree
9	8130096	Nipple, 1/2" x 6.0 NPT BM
10	8130463	Plug, Pipe 1/2NPT BM
11	8160637	Cap, Vinyl Blue 5/16" x 3"
	130210717	Nipple Assembly, RE80 Rear Oil Disposal Bracket
12	8100490	Quick Disconnect 1/2 Inch Female
13	8101669	Adapter, Female 5/8" OD x 1/2"
14	8238227	Nipple W/A, Disposal Bracket

2.7 Heating Element Assemblies and Associated Parts

2.7.1 Element Assemblies and Hardware



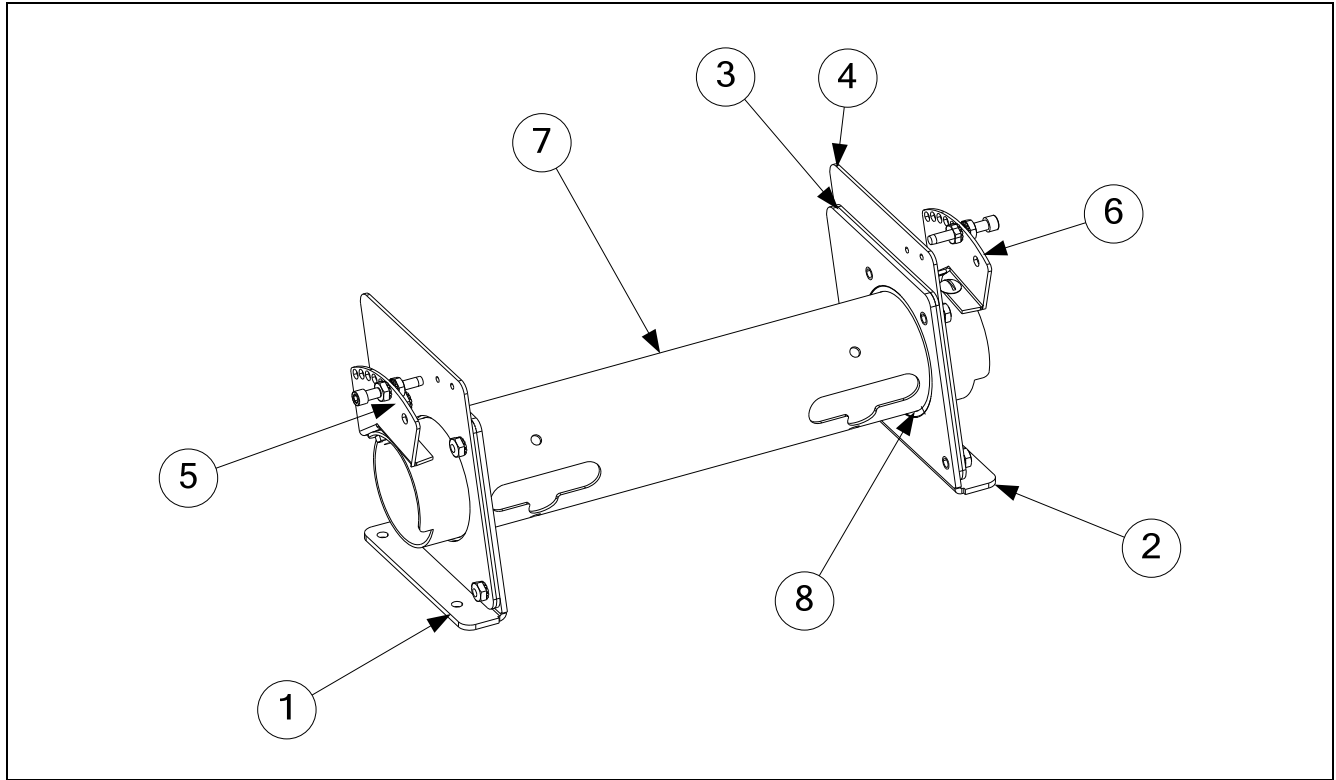
NOTE: These elements apply only to the RE80/18 series fryers.

2.7.1 Heating Element Assemblies and Associated Parts (cont.)

ITEM	PART #	COMPONENT
1		Element Assemblies
	1069757	208V, 17kW
	1069974	208V, 21kW
	1082702	230V, 17kW
	1082703	230V, 21kW
	1069961	240V, 17kW
	1069963	240V, 21kW
	1069962	480V, 17kW
	1069964	480V, 21kW
		Elements
	8262929	Element, 208V/8.5kW (for 17kW)
	8262930	Element, 208V/10.25kW (for 21kW)
	8262935	Element, 230V/8.5kW (for 17kW)
	8262936	Element, 230V/10.25kW (for 21kW)
	8262931	Element, 240V/8.5kW (for 17kW)
	8262932	Element, 240V/10.25kW (for 21kW)
	8262933	Element, 480V/8.5kW (for 17kW)
	8262934	Element, 480V/10.25kW (for 21kW)
*	8121794	Element Sleeving
2		Temperature Probe
	8262928	Standard Temp Probe Kit. Includes ty-wrap and grommet.
	1080790	FAST Temp Probe
	8090567	Ty-wrap
3	8160681	Grommet, Probe
4	8160480	Plug, .375-inch Dome
5	8160688	Gasket, Element
6	8091003	Screw, 10-32 X 3/8-inch Hex Head SS
7	2305041	Bracket, Temperature Probe
8	9102042	Clamp, Element (Short)
9	2300781	Clamp, Element (Long)
10	2304902	Support, Full-Vat Element Rear
11	8236937	Support, Full-Vat Element Front
12	8090567	Ty-Wrap, Metal
13	8101212	Pin, .125 X .5-inch Split
14	8103030	Spring, Element Lift Left
*	8103031	Spring, Element Lift Right
15	2204860	Bracket, Lower Spring
16	8102189	Handle, Element Lift
*	1080317	Tilt Switch Assembly

* Not illustrated.

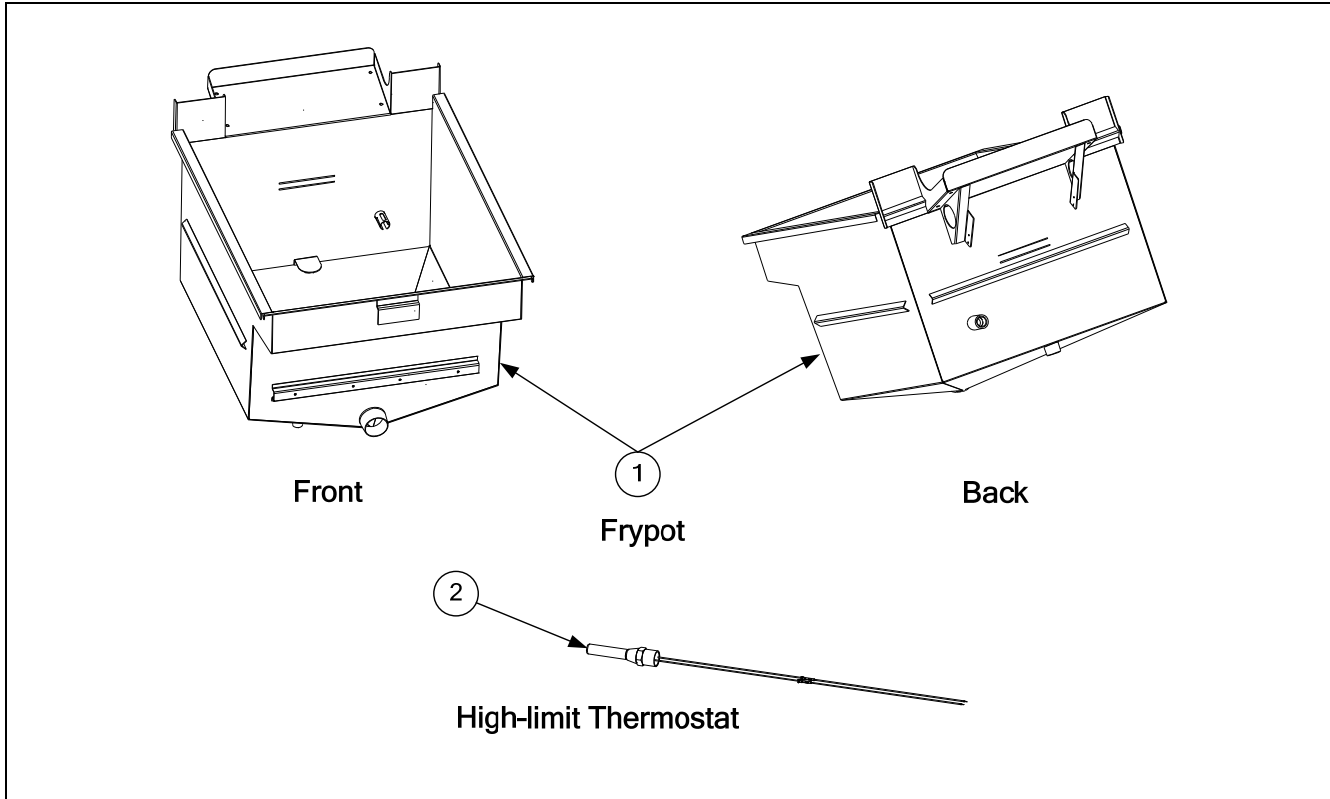
2.7.2 Element Tube Assemblies



ITEM	PART #	COMPONENT
	1067653SP	Tube Assembly RE Element, Full-Vat
1	1080315	Bracket Assembly, LH Element Tube Support
2	1080316	Bracket Assembly, RH Element Tube Support
3	2200122	Plate, Element Tube Support Inner
4	2200123	Plate, Element Tube Support Outer
5	1067651	Bracket Assembly, LH Upper Spring
6	1067652	Bracket Assembly, RH Upper Spring
7	8102992	Tube, FV Element Mounting
8	8102993	Bushing, Tube End Teflon
*	8090766	Nut, 10-32 Hex HD SS
*	1080317	Switch, Tilt Assy
*	8074742	Switch, Tilt High Temp Long Lever Micro

* Not illustrated.

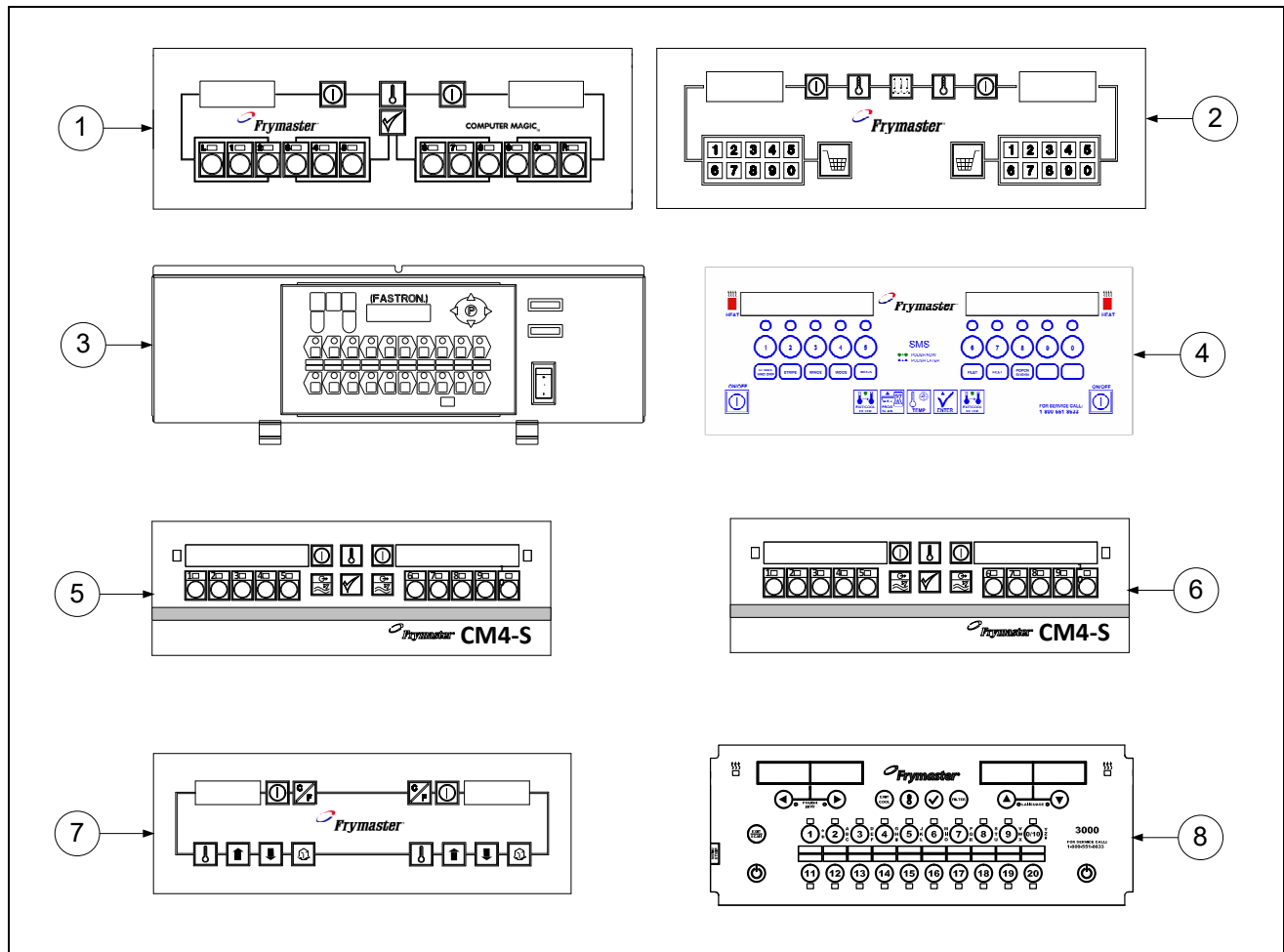
2.8 Frypot Assemblies and Associated Parts



ITEM	PART #	COMPONENT
1		Frypot Assembly
	8236935SP	Frypot, Non-filter
	8236721SP	Frypot, Filter
	8236936SP	Frypot, Church's/Popeye's
	8238423SP	Frypot, KFC India
2	8262456	Thermostat Assembly, High-Limit (Use 826-2455 for CE)
*	8160785	Side Insulation
*	8160786	Center Insulation
*	2217274	Heat Shield, Left
*	2227274	Heat Shield, Right
*		Topcap Heat Shield
*	2205464	x1
*	2205460	x2, x4 (2), x5 (1)
*	2205461	x3, x5 (1), x6 (2)
*	8237109	Splash Guard, Standard
*	8237169	Splash Guard, Church's/Popeye's
*	1080213	Float Switch

* Not illustrated.

2.9 Controllers

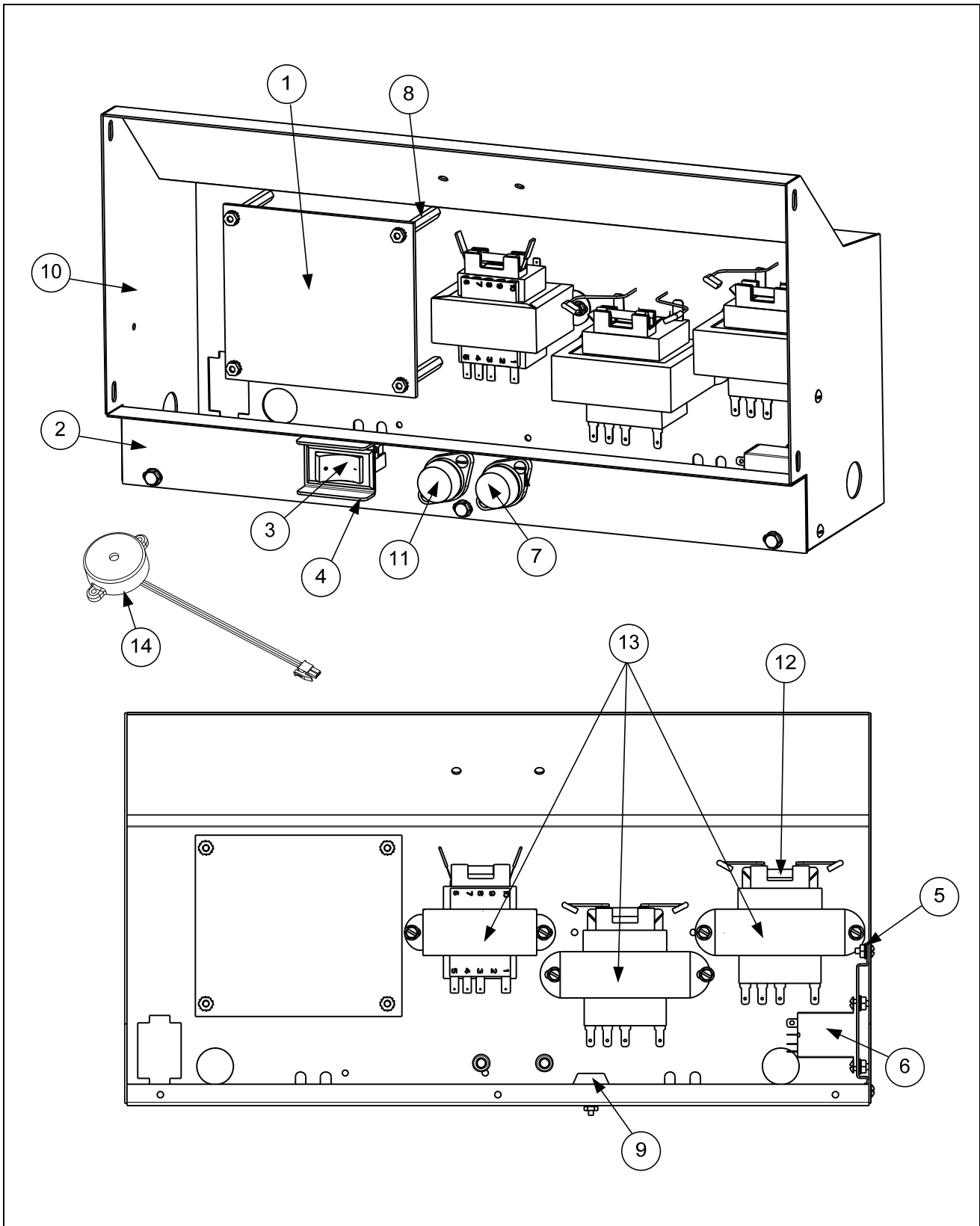


ITEM	PART #	COMPONENT
		Computers
1	8262429	Computer Magic III.5, Full-Vat, non-CE
*	8262399	Computer Magic III.5, Full-vat, CE
2	8262401	Basket Lift Timer
3	1080267	FAST Computer
4	1064070	KFC-1 Computer
5	1082297	Church's CM4S Computer
6	1082296	Popeye's CM4S Computer
7	8262329	Digital Controller, Full-Vat
8	8262762	K3000 (Use 807-5354 for Menu Strip)
*	1083114SP	F3000
*	1085577	CNTRL 3000 RE80 Church's
*		K3000 Locator Harness
	1080485SP	Position 1 (Fryer 1 position (Far left fryer position))
	1080486SP	Position 2 (Fryer 2 position from left to right)
	1080487SP	Position 3 (Fryer 3 position from left to right)
	1080488SP	Position 4 (Fryer 4 position from left to right)
	1080489SP	Position 5 (Fryer 5 position from left to right)
*	8022021	Graphic Sheet of Symbols

* Not illustrated.

2.10 Electronics and Wiring Components

2.10.1 Component Boxes

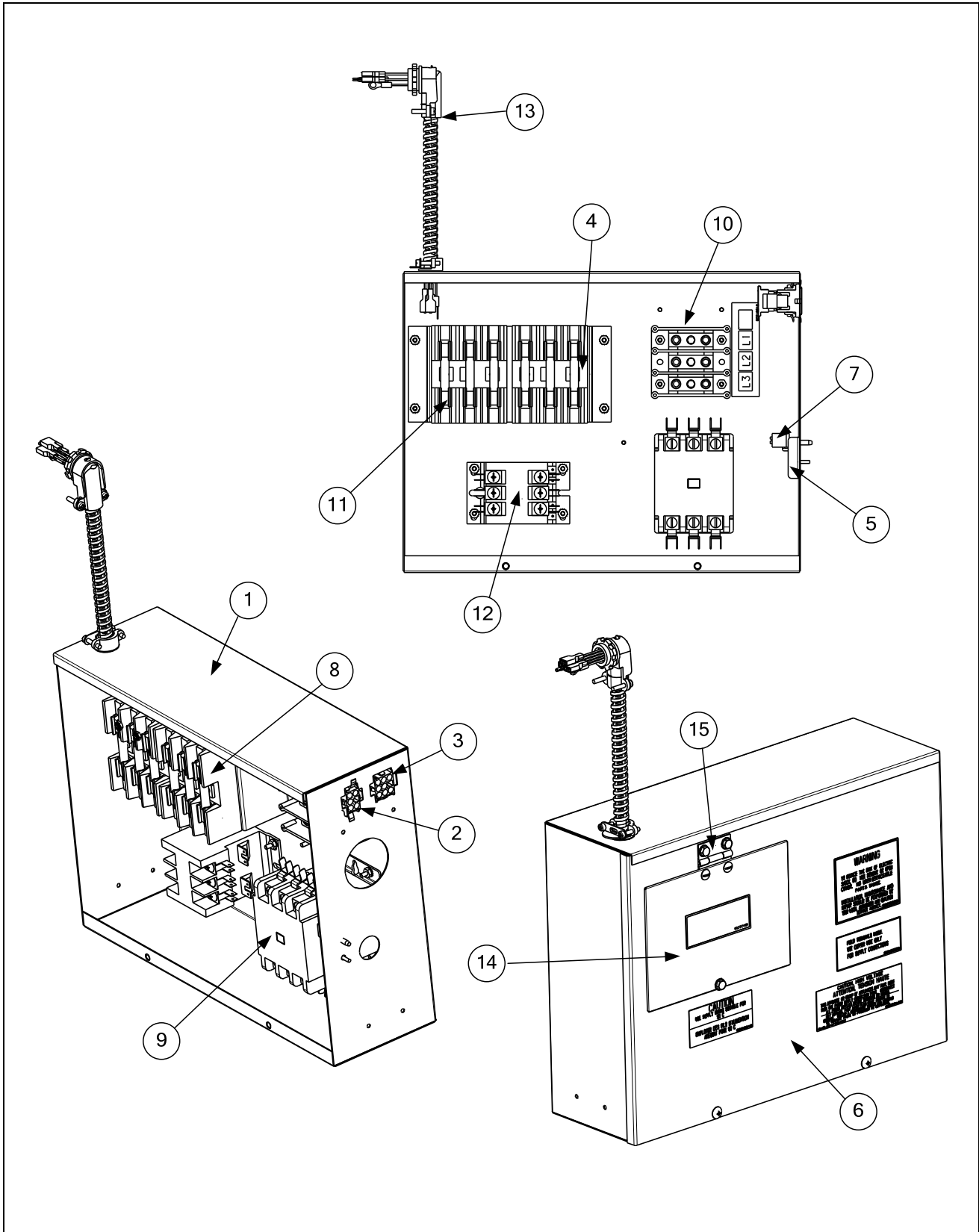


2.10.1 Component Boxes

ITEM	PART #	COMPONENT
		Component Box Assemblies (for reference)
	1069730	208/240V, Filter
	1069732	208/240V, Non-filter
	1080279	220/230/240/250/415/400/430V, Filter
	1080278	220/230/240/250/415/400/415/430V, Non-filter
	1084357	240/415 KFC India, Filter
	1080420	480V, Filter
	1080421	480V, Non-filter
	1080330	480V, no switch, no basket lift
		Component Box Parts
1	8262260	Interface Board (<i>For use with Frymaster controller ONLY</i>).
	8262262	Interface Board (<i>For use with FAST controller ONLY</i>).
*	1069930	Harness, Filter
*	1069965	Harness, Non-filter
2	2204465	Panel, Switch
3	2304346	Guard, Switch
4	8074036	Switch
5	2205805	Standoff, Relay, Filter
6	8074114	Relay, 24VAC Coil, Filter
7	8070922	Holder, Screw-Type Buss Fuse
*	8074765	Harness, Control
8	8090963	Standoff, 6-32, ¼" x 2.00 NP
9	8101164	Block, Screwless Terminal
10	8236745	Box, Component
11	8072278	Fuse, 20 Amp
12	8071597	Fuse, 3 Amp Slo-blo, Filter (220-250V)
13		Transformers
	8070979	208/240V, 12V
	8070680	208/240V
	8072180	208/240V, 24V, 50VA
	8072191	V&F, 208/230/240V, 12V
	8070800	120V, 50/60 Hz-24V, 50VA
	8070855	120V, 50/60 Hz-12V, 20VA
	8073892	440/480V to 12/24V
14	8103141	Sound Device, SMT Standard and KFC FAST
*	1080273	Speaker, KFC (KFC-1, K3000 and F3000)

* Not illustrated.

2.10.2 Contactor Boxes

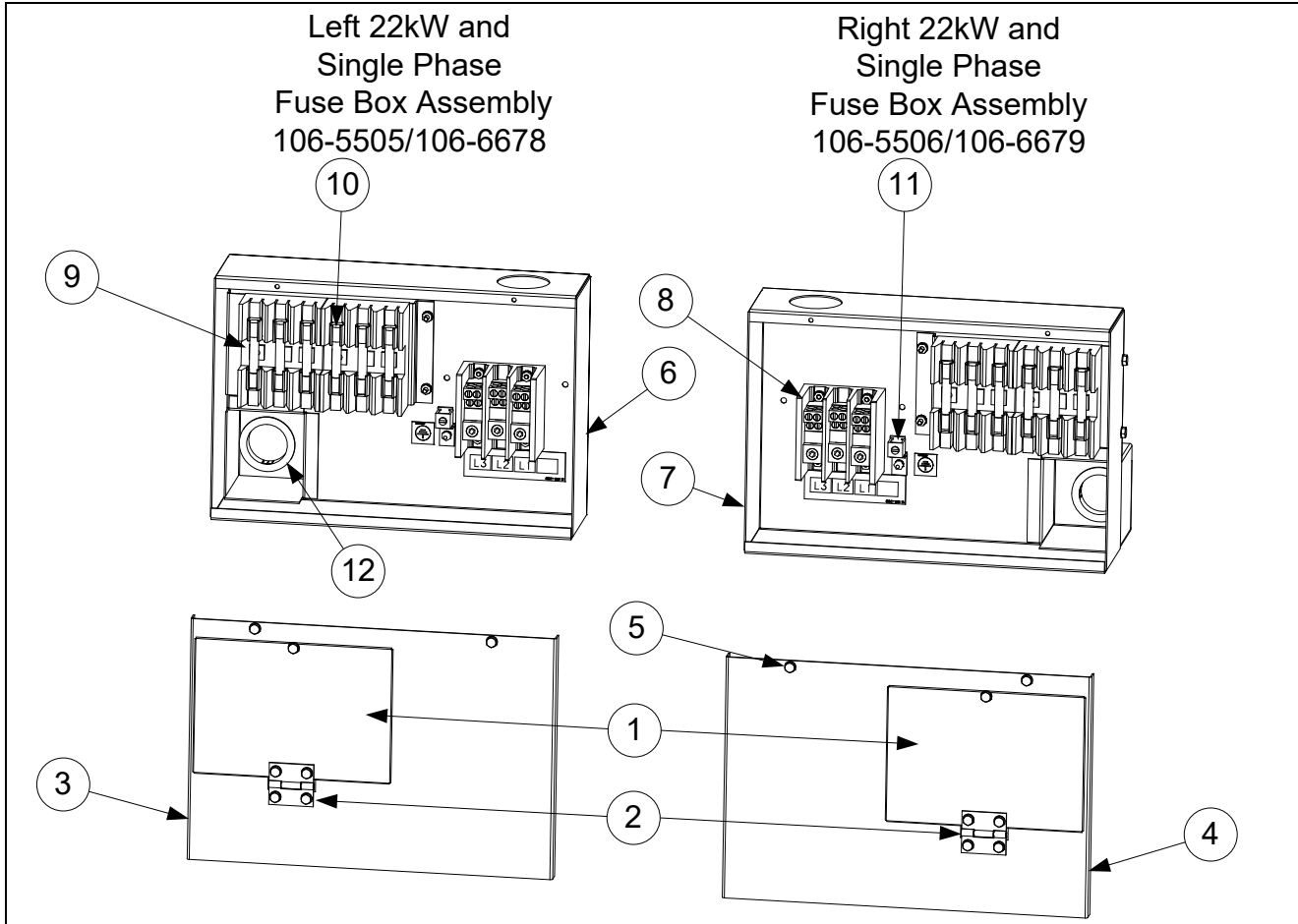


NOTES: Left and right contactor box assemblies are mirror images of one another. With the exception of the box itself, most components of a left-hand assembly are the same as those in the corresponding right-hand assembly and vice versa. The configuration illustrated shows most possible components, but a particular configuration may not have all the components shown.

ITEM	PART #	COMPONENT
		Contactor Box Assemblies (for reference only)
	1069967	17 kW, 3-wire 208/240V and 21kW/480V, Left
	1069966	17 kW, 3-wire 208/240V and 21kW/480V ,Right
	1083522	21kW, 3-wire 208/240 only, Left
	1083523	21kW, 3-wire, 208/240 only, Right
	1080427	17 kW, 4-wire, 208/240V and 21kW/480V, Left
	1080426	17 kW, 4-wire, 208/240V and 21kW/480V, Right, Std and India KFC
	1084358	17 kW, 4-wire, 208/240V and 21kW/480V, Left India KFC
	1084800	17 kW, 4-wire, 220/380 only, Left – Export China Only
	1084799	17 kW, 4-wire, 220/380 only, Right – Export China Only
	1080037	21kW, 4-wire 208/240 only
	1081861	17kW, Single, 208/240 only
	1083521	21kW, Single, 208/240 only
	1083526	21kW, 4-wire, Single, Export PBI
		Contactor Box Parts
1	1069601	Stud Assembly, Left Contactor Box
*	1069600	Stud Assembly, Right Contactor Box
2	1069735	Harness, 6-pin
*	1082439	Harness, 6-pin, PBI
3	1069736	Harness, 9-pin
*	1082440	Harness, 9-pin, PBI
4	2006648	Bracket, Fuse Block
5	2006809	Bracket, Ground Lug Holder
6	2215553	Cover, 21kw Contactor Box
*	2205103	Cover, 17kw Contactor Box
7	8070070	Terminal Lug
8	8070501	Fuse Block
9	8072283	Contactor, 63 AMP, Mechanical, 24V Coil (21kW)
*	8072284	Contactor, 50 AMP, Mechanical, 24V Coil (17kW)
*	8101202	Contactor, 40 AMP, Mechanical, 24V Coil (17kW)
10	8073610	Terminal Block
*	8071268	Terminal Block, Splicer Single Pole (4-wire)
11	8074017	Fuse, 50 AMP, 300 VDC
12	8101202	Contactor, 40 AMP, 24V Coil (17kW)
*	8072284	Contactor, 50 AMP, Mechanical, 24V Coil (17kW)
13	1081786	Harness, Contactor Box
14	2206545	Door, Fuse Access
15	8100519	Hinge, Fuse Access
*	2205484	Mount, Contactor Box (2 per box)

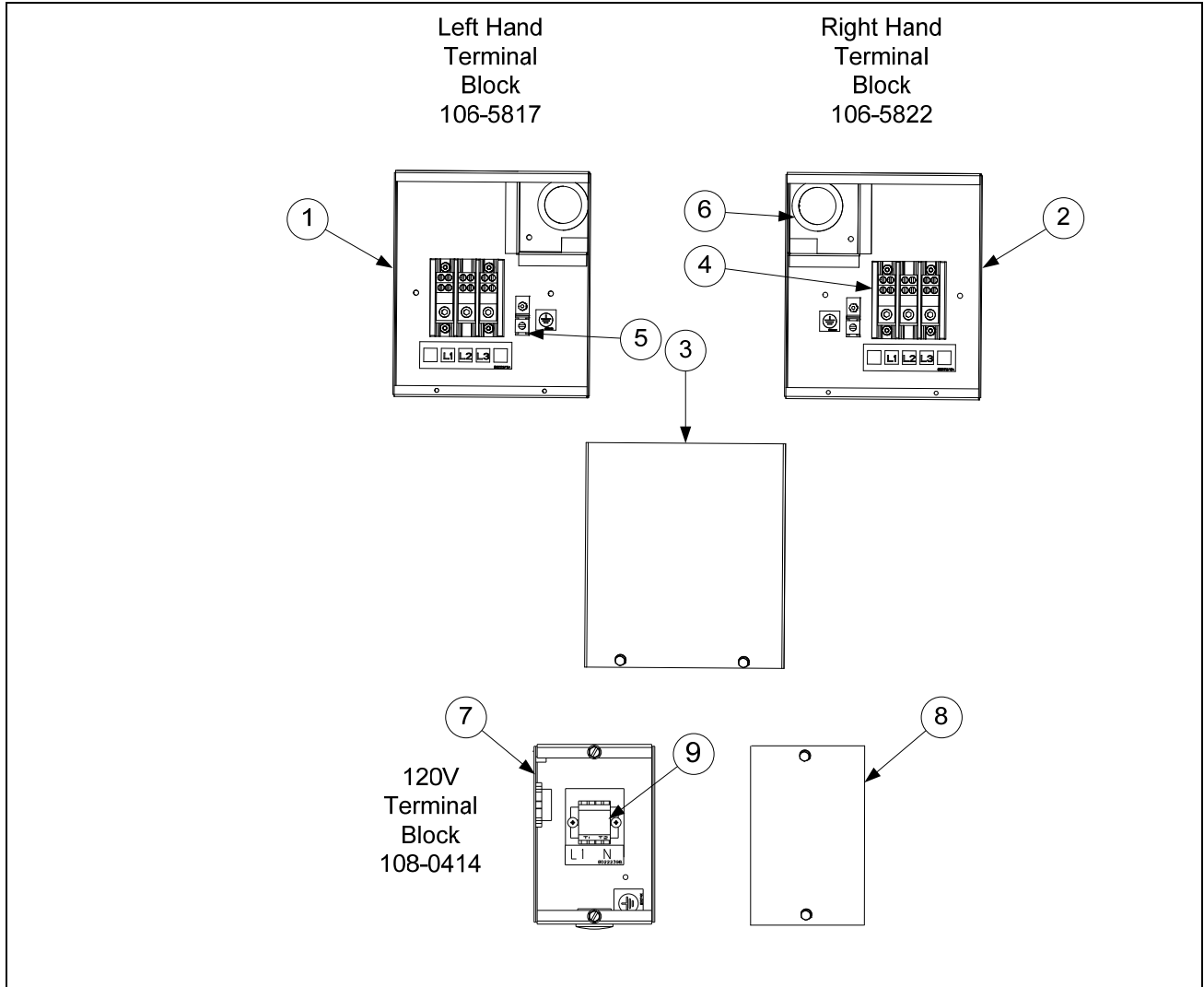
* Not illustrated.

2.10.3 Fuse Boxes



ITEM	PART #	COMPONENT
1	2002334	Door
2	8100519	Hinge
3	2210523	Cover, LH Fuse Box
4	2220523	Cover, RH Fuse Box <i>(Used on Single Station Fryers also)</i>
5	8090434	Nut, RH Fuse Holder
6	8235585	Box, LH Fuse
7	8235557	Box, RH Fuse
	8235797	Box, Single Station Fryer Only
8	8073970	Block, 3 Pole 600V 175A Terminal
9	8070501	Fuse Block, Buss #2968 3-Pole
10	8072240	Fuse, 60 AMP 300VAC
11	8070070	Terminal, Ground Lug
12	8070128	Bushing, Insulating Heyco

2.10.4 Terminal Blocks



ITEM	PART #	COMPONENT
1	8235631	Box, LH Rear Terminal Block
2	8235632	Box, RH Rear Terminal Block
	8235797	Box, Single Station Fryer Only <i>(see previous page for cover 222-0523)</i>
3	2200801	Cover, Rear Terminal Block Box
4	8073970	Block, 3 Pole 600V 175A
5	8070070	Terminal, Ground Lug
6	8070128	Bushing, Insulating Heyco
7	8241378	Box, 120V Power Cord
8	2008030	Cover, 120V Power Cod Box
9	8101164	Block, 1 Piece Screw less Terminal
*	1085442	Box, Church's Cord Connect

* Not illustrated.

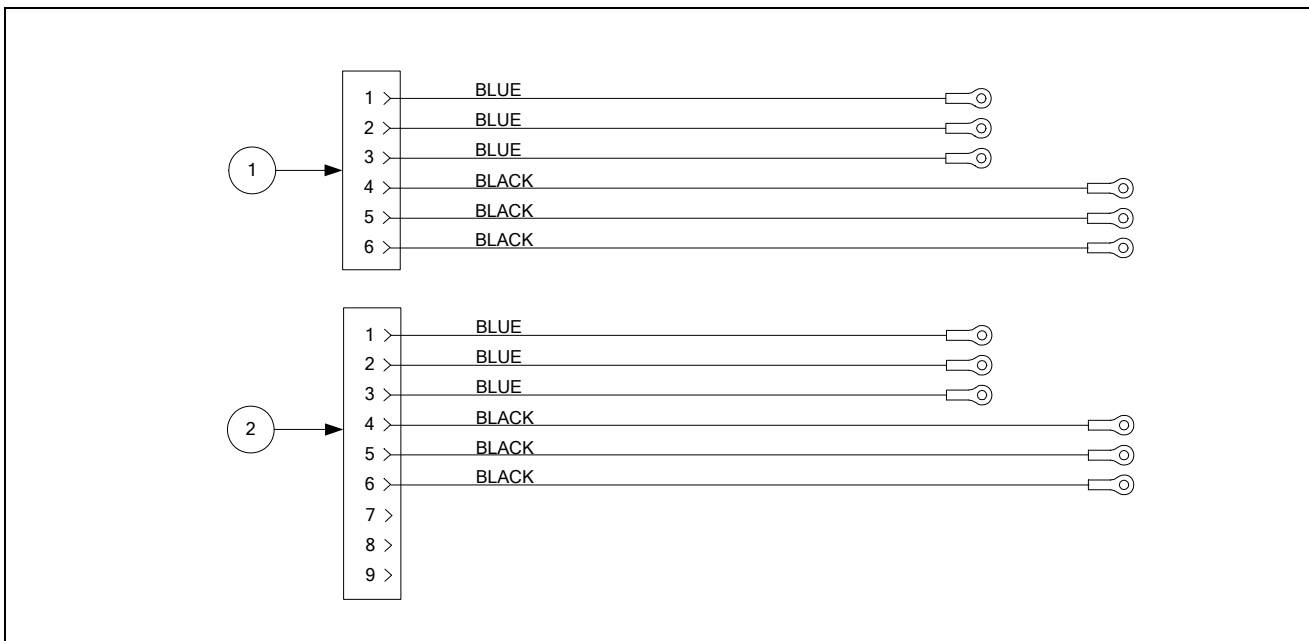
2.10.5 Cord Sets

ITEM	PART #	COMPONENT
*	8074658	Domestic 208/240V
*	8073834	Domestic 480V, Export Non-CE 208/240V
*	8073981	Export, Generic 220/250V, KFC Export India, CE Export

* Not illustrated.

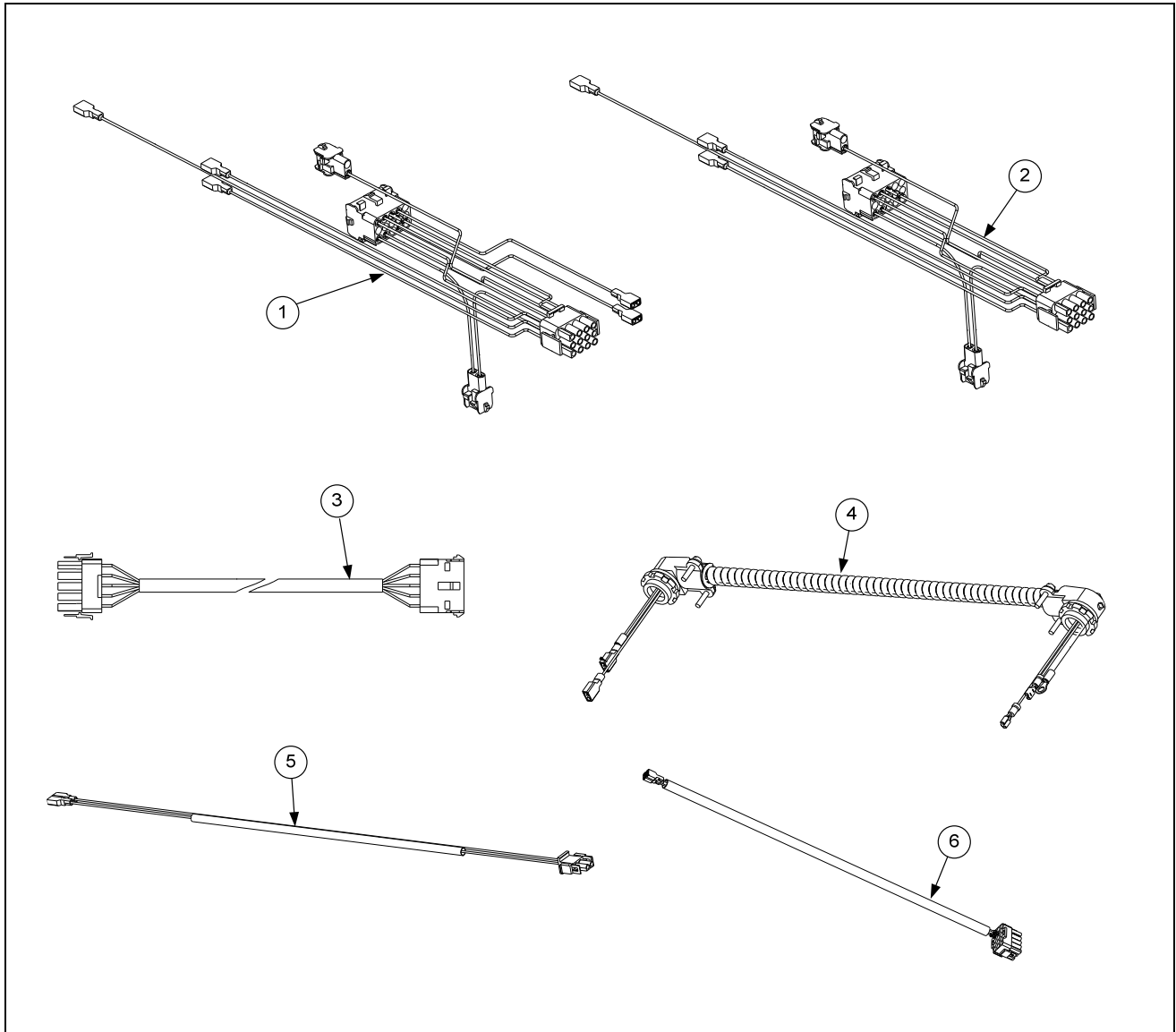
2.11 Wiring

2.11.1 Contactor Box Wiring Assemblies



ITEM	PART #	COMPONENT
1	106-9735	6-pin
	106-9736	9-pin

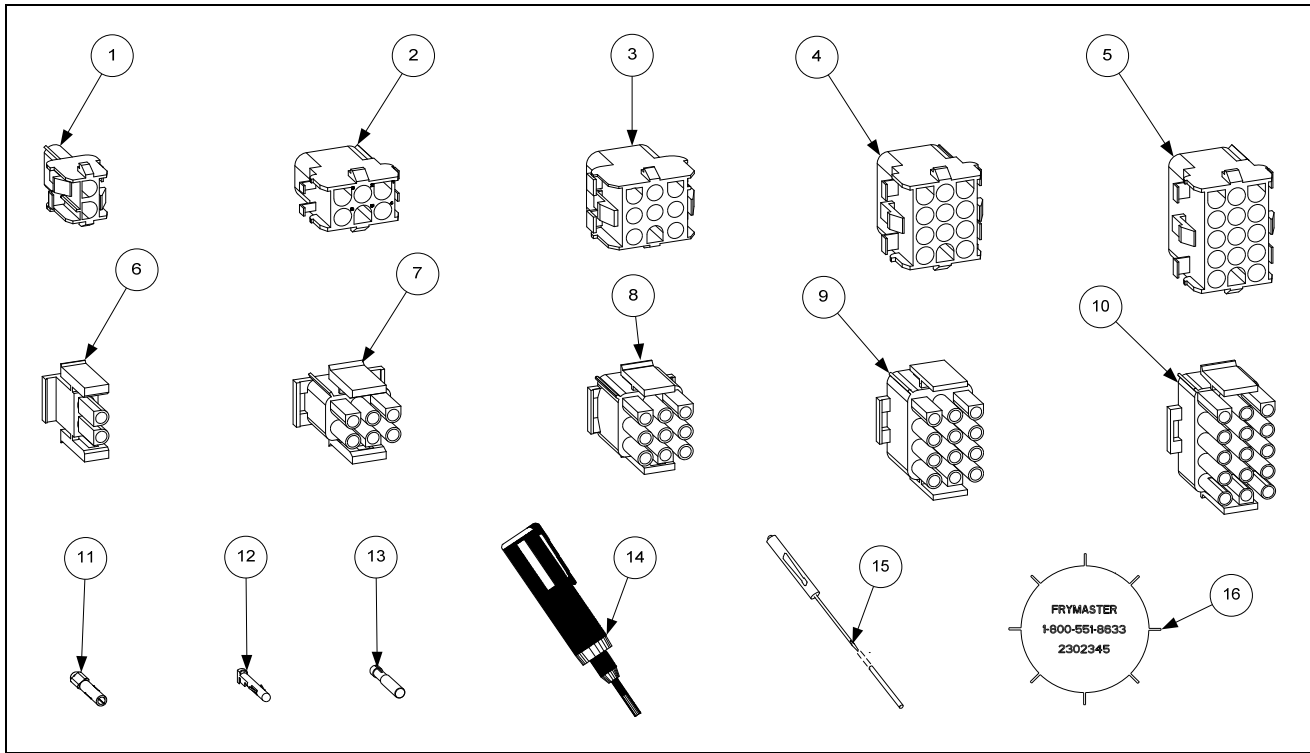
2.11.2 Component Box, Filter Pump and Basket Lift Wiring Harnesses



ITEM	PART #	COMPONENT
1	1069930	Component Box Harness, Filter
2	1069965	Component Box Harness, Non-filter
3	8074765	Component Box Harness, Control
4	1069918	Filter Pump Harness
5	1069924	Drain Safety Harness
*	1080255	Drain Safety Harness, KFC-1, CM4S, Popeye's and Church's
*	8075159	Drain Safety Harness, K3000
*	1067718	Drain Jumper Harness
6	1069928	Oil Return Harness, Rear

* Not illustrated.

2.12 Wiring Connectors and Pin Connectors



ITEM	PART #	COMPONENT
1	8071068	2-Pin Female
2	8070158	6-Pin Female
3	8070156	9-Pin Female
4	8070159	12-Pin Female
5	8070875	15-Pin Female
6	8071067	2-Pin Male
7	8070157	6-Pin Male
8	8070155	9-Pin Male
9	8070160	12-Pin Male
10	8070804	15-Pin Male
11	8261341	Terminal, Female Split Pin (pkg. of 25)
12	8261342	Terminal, Male Split Pin (pkg. of 25)
13	8072518	Plug, Mate-N-Lock (Dummy Pin)
14	8070928	Extract Tool Pin Pusher
15	8064855	Pin Pusher Screwdriver Assembly
16	2302345	SMT Pin Extractor
*	8074660PK	SMT Pin Service Repair Kit

* Not illustrated.

2.13 Fasteners

ITEM	PART #	COMPONENT
*	8090429	Bolt, ¼-inch – 20 x 2.00-inch Hex Head ZP Tap
*	8090514	Capscrew, 5/16-inch-18 NC Hex
*	8090448	Clip, Tinnerman
*	8261366	Nut, 4-40 Keps Hex (Pkg. of 25) (809-0237)
*	8261358	Nut, 6-32 Keps Hex (Pkg. of 25) (809-0049)
*	8090247	Nut, 8-32 Keps Hex
*	8261376	Nut, 10-32 Keps Hex (Pkg. of 10) (809-0256)
*	8090766	Nut, 10-32 Keps Hex SS
*	8090581	Nut, ½ NPT Locking
*	8090020	Nut Cap 10-24 NP
*	8261372	Nut Grip ¼-inch 1/4-20 Hex NP (Pkg. of 10) (809-0059)
*	8090417	Nut Flange ¼-inch 1/4-20 Serr
*	8090535	Nut, "T" ¼-inch-20 x 7/16 SS
*	8090540	Nut, Lock ½-inch-13 Hex 2-Way ZP
*	8261359	Screw, 4-40 x ¾-inch Slotted Round Head (Pkg. of 25) (809-0354)
*	8261365	Screw, 6-32 x ⅜-inch Slot Head (Pkg. of 25) (809-0095)
*	8090357	Screw, 6 x ⅜-inch Phillips Head NP
*	8090359	Screw, 8 x ¼-inch Hex Washer Head
*	8090360	Screw, 8 x ⅜-inch Hex Washer Slot Head
*	8261371	Screw, 8 x ½-inch Hex Head ZP (Pkg. of 25) (809-0361)
*	8090364	Screw, 8 x ⅝-inch Hex Washer Head ZP
*	8090518	Screw, 8-32 x ⅜-inch Hex Washer Slotted Head SS
*	8090104	Screw, 8-32 x ½-inch Slotted Head ZP
*	8261363	Screw, 8-32 x ½-inch NP (Pkg. of 25) (809-0103)
*	8261360	Screw, 10-24 x 5/16-inch Round Slot Head ZP (Pkg. of 25) (809-0024)
*	8261330	Screw, 10-32 x ⅜-inch Slot Head SS (809-0117)
*	8091003	Screw, 10-32 x ⅜-inch Hex Trim Head SS
*	8261375	Screw, 10-32 x ¾-inch Hex Trim Head SS (Pkg. of 5) (809-0401)
*	8091000	Screw, 10-32 x 1¼-inch Hex Sck C/S
*	8261374	Screw, 10 x ½-inch Hex Head (Pkg. of 25) (809-0412)
*	8090266	Screw, 10 x ½-inch Phillips Head ZP
*	8090434	Screw, 10 x ⅜-inch Hex Washer Head NP
*	8090123	Screw, 10 x ¾-inch Slot Head
*	8261389	Screw, 1/4-20 x ¾-inch Hex Head ZP (Pkg. of 10) (809-0131)
*	8090582	Washer ½ NPT Locking
*	8090184	Washer, #10 LK ZP
*	8090190	Washer, .625 X .275 X 40 Flat SS
*	8090191	Washer, Lock 1/4 Spring ZP
*	8090193	Washer, Flat 1/4 Nylon
*	8090194	Washer, Flat 5/16 ZP

* Not illustrated.

THIS PAGE INTENTIONALLY LEFT BLANK

Frymaster[®]

FRYMASTER
8700 LINE AVENUE, SHREVEPORT, LA 71106-6800

800-551-8633
318-865-1711
WWW.FRYMASTER.COM
EMAIL: FRYSERVICE@WELBILT.COM



Welbilt offers fully-integrated kitchen systems. Welbilt's portfolio of award-winning brands includes Cleveland™, Convotherm®, Crystal Tips®, Dean®, Delfield®, Fabristeel®, Frymaster®, Garland®, Inducs®, Koldtech®, Kolpak®, Lincoln®, McCann's™, Merco®, Merrychef®, Multiplex®, RDI®, SerVend™, SunFire®, U.S. Range™, and WMaxx™. Supported by service brands: FitKitchen®, kitchen systems; and KitchenConnect®, cloud-based open platform.

Bringing innovation to the table • welbilt.com

©2023 Frymaster LLC. except where explicitly stated otherwise. All rights reserved. Continuing product improvement may necessitate change of specifications without notice.

Part Number FRY_SP_8196666 12/2023