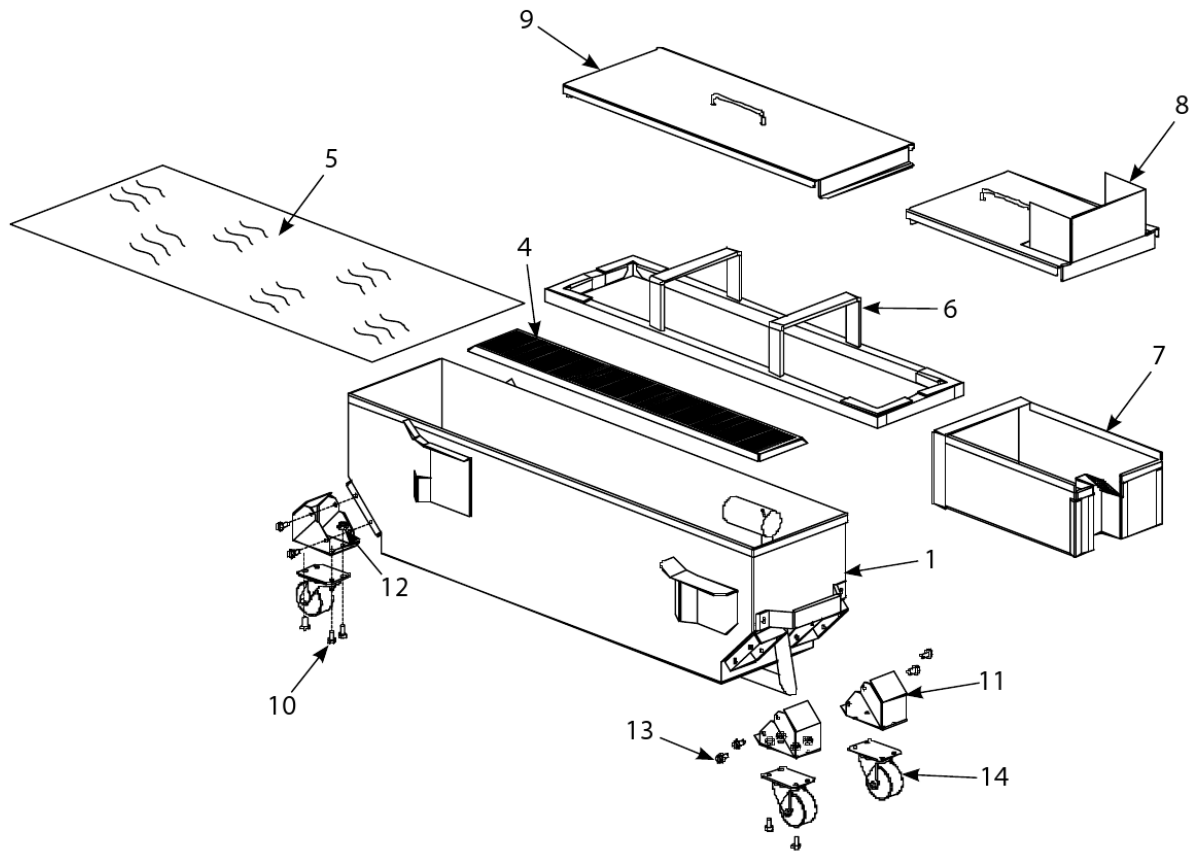


fry_p_0054_5_15

SUFF 50 (Current Style)



SUFF 50 (Current Style)

fry_p_0054_5_15

SUFF 50 (Current Style)

#	PART #	DESCRIPTION	QTY	Note
1	8233796	Filter Pan, SUFF 50	1	
2	8130684	Plug, Hex Socket, 0.375" NPT	1	
3	8130679	Plug, 0.125" SS NPT, Sq-Head	1	[1]
4	8233790	Support Grid	1	[2]
5	8030317	Paper, Filter- 8-0.25 x 25-0.75"	1	
6	8233795	Hold-Down Ring, Weighted	1	
7	8235423	Crumb Basket	1	
8	8233797	Filter Pan Cover, Front	1	
9	8233798	Filter Pan Cover, Back	1	
10	8090428	Screw - 0.25"-20 x 0.5" Steel	1	
11	2102291	Insert, Caster	1	
12	8090820	Nut, Oval Locking, 0.25-20	1	
13	8090805	Screw, 0.25-20 x 0.5"	1	
14	8102807	Caster - 2" Rigid	1	

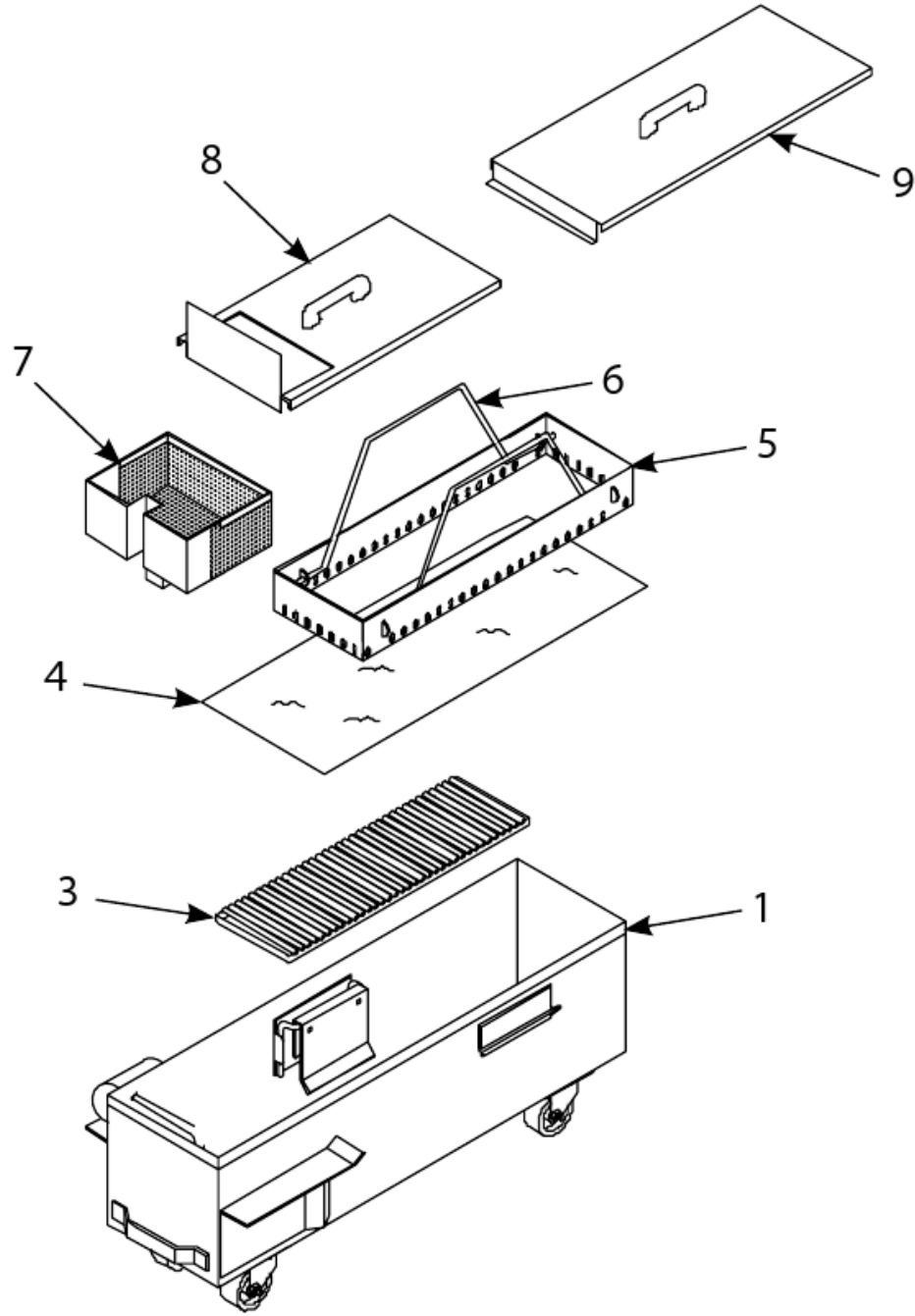
PART NOTES:

- [1] - Female Disconnect
- [2] - Bottom Pan Screen

SUFF 50 (Current Style)

fry_p_0054_5_15

SUFF 50 (Early Style)



SUFF 50 (Early Style)

fry_p_0054_5_15

SUFF 50 (Early Style)

#	PART #	DESCRIPTION	QTY	Note
1	555481	Filter Pan Assembly	1	
2	8130679	Plug, 0.125" SS NPT, Sq-Head	1	
3	8030330	Grid, Bottom- Filter Pan	1	
4	8030317	Paper, Filter- 8-0.25 x 25-0.75"	1	
5	55559	Ring, Hold-Down	1	[1]
6	8235423	Crumb Basket	1	
7	55561	Crumb Screen	1	
8	55557	Lid, Pan- Front	1	
9	2101905	Lid, Pan- Rear	1	
10	8100180	Handle	1	[2]
11	8102805	Caster - 2"	1	

PART NOTES:

- [1] - Without Handles
- [2] - With Screws