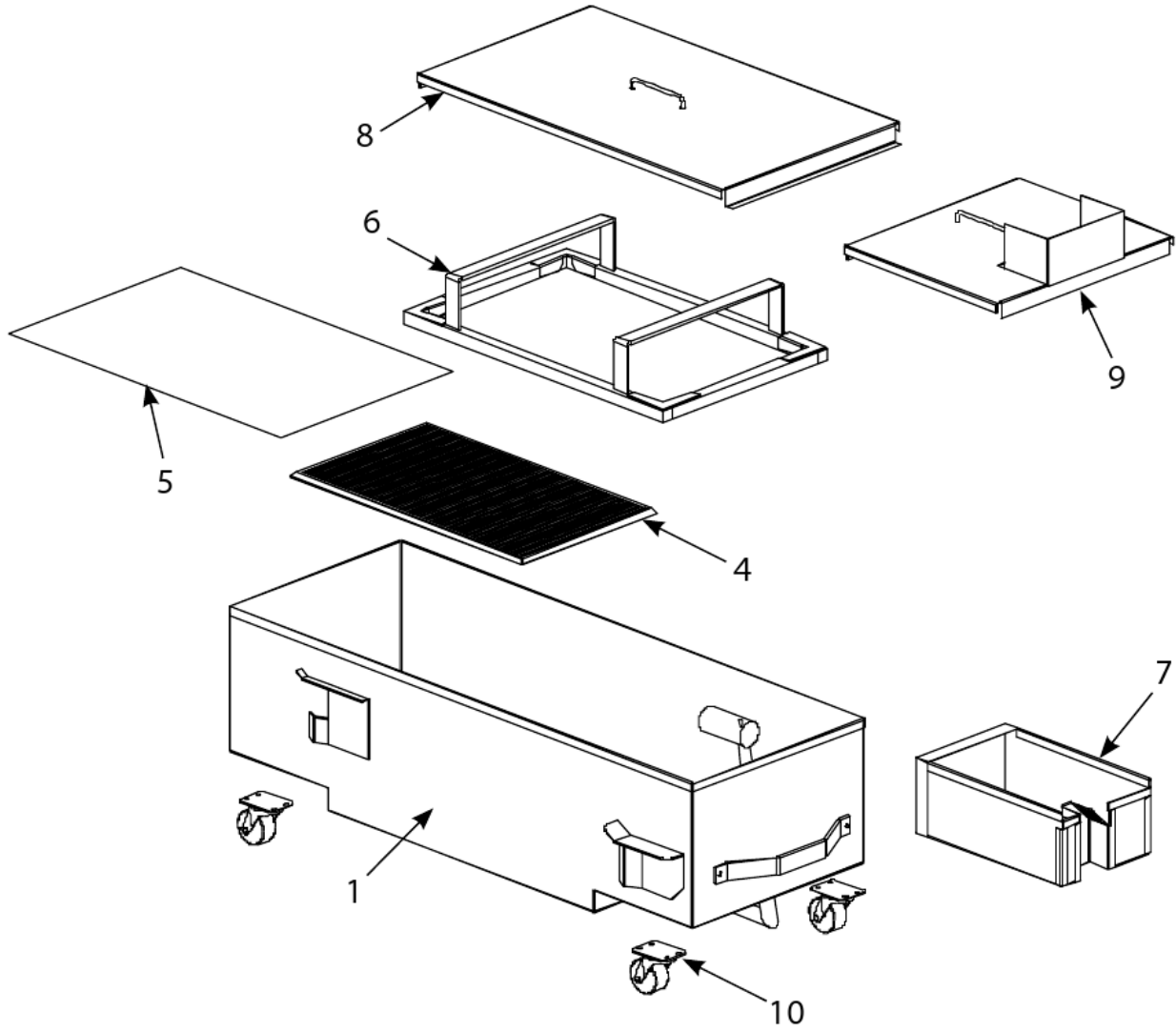


fry_p_0054_5_15

SUFF 80 BID80 Series



SUFF 80 BID80 Series

fry_p_0054_5_15

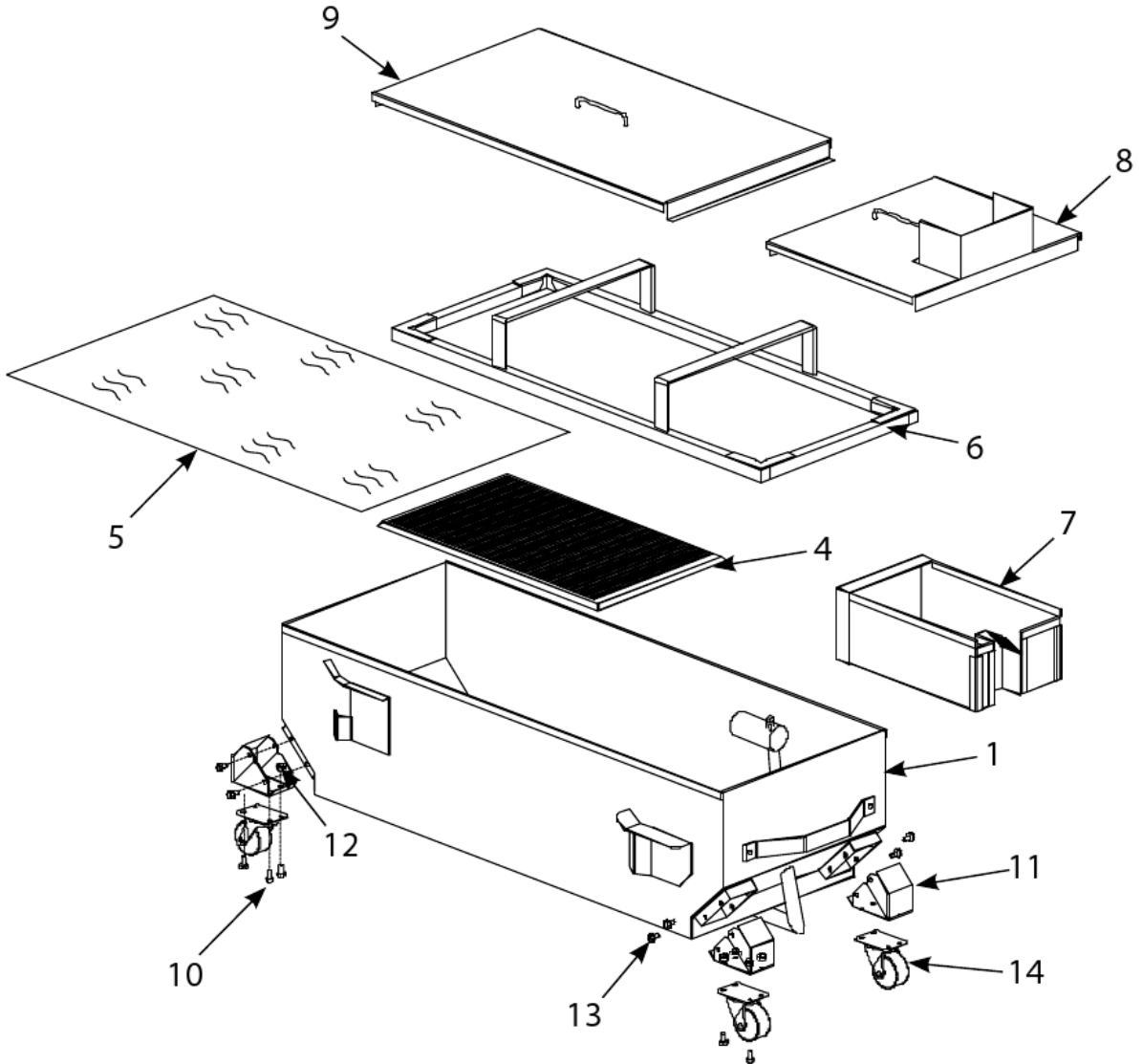
SUFF 80 BID80 Series

#	PART #	DESCRIPTION	QTY	Note
1	8233750SP	Filter Pan Assembly- BID80 SUFF 80	1	
2	8130684	Plug, Hex Socket, 0.375" NPT	1	
3	8130679	Plug, 0.125" SS NPT, Sq-Head	1	[1]
4	8233748	Grid, Bottom- Filter Pan- BID80 SUFF 80	1	
5	8030289	Filter Paper - 22" x 34"	1	
6	8233742	Ring, Hold-Down (Weighted)- BID80 SUFF 80	1	
7	8235423	Crumb Basket	1	
8	8233741	Filter Pan Cover, Back	1	
9	8233739	Filter Pan Cover, Front	1	
10	8102805	Caster - 2"	1	

PART NOTES:

[1] - Female Disconnect

SUFF 80 Domestic (Current Style)



fry_p_0054_5_15

SUFF 80 Domestic (Current Style)

#	PART #	DESCRIPTION	QTY	Note
1	8233821	Filter Pan, SUFF 80 Domestic	1	
2	8130684	Plug, Hex Socket, 0.375" NPT	1	
3	8130679	Plug, 0.125" SS NPT, Sq-Head	1	[1]
4	8235421	Support Grid, Bottom Pan Screen	1	[2]
5	8030289	Filter Paper - 22" x 34"	1	
6	8233849	Hold-down Ring, Weighted	1	
7	8235423	Crumb Basket	1	
8	8233739	Filter Pan Cover, Front	1	
9	8233741	Filter Pan Cover, Back	1	
10	8090428	Screw - 0.25"-20 x 0.5" Steel	1	
11	2102291	Insert, Caster	1	
12	8090820	Nut, Oval Locking, 0.25-20	1	
13	8090805	Screw, 0.25-20 x 0.5"	1	
14	8102807	Caster - 2" Rigid	1	

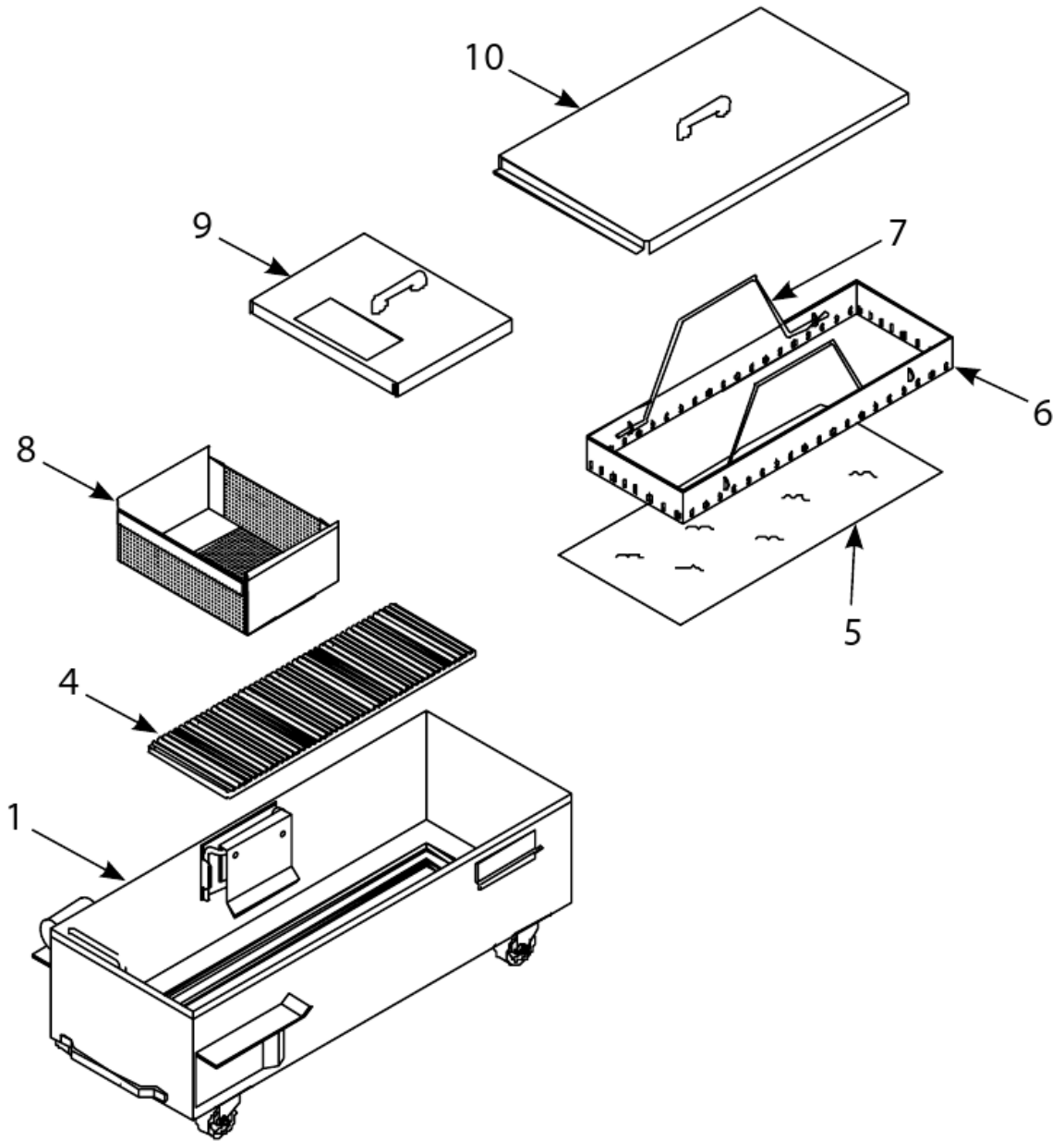
PART NOTES:

- [1] - Female Disconnect
- [2] - Bottom Pan Screen

SUFF 80 Domestic (Current Style)

fry_p_0054_5_15

SUFF 80 Domestic (Early Style)



SUFF 80 Domestic (Early Style)

fry_p_0054_5_15

SUFF 80 Domestic (Early Style)

#	PART #	DESCRIPTION	QTY	Note
1	8233388	Filter Pan Assembly	1	
2	8130679	Plug, 0.125" SS NPT, Sq-Head	1	
3	8102805	Caster - 2"	1	
4	2203168	Grid, Bottom - Filter Pan	1	
5	8030289	Filter Paper - 22" x 34"	1	
6	8233387	Ring, Hold-Down	1	[1]
7	8233202	Handle, Hold-Down Ring	1	
8	8233392	Crumb Screen	1	
9	1061457SP	Lid, Pan- Front	1	
10	1061458SP	Lid, Pan- Rear	1	

PART NOTES:

[1] - Without Handles