

Value-14-17 Electric Fryers

Control, Component Box

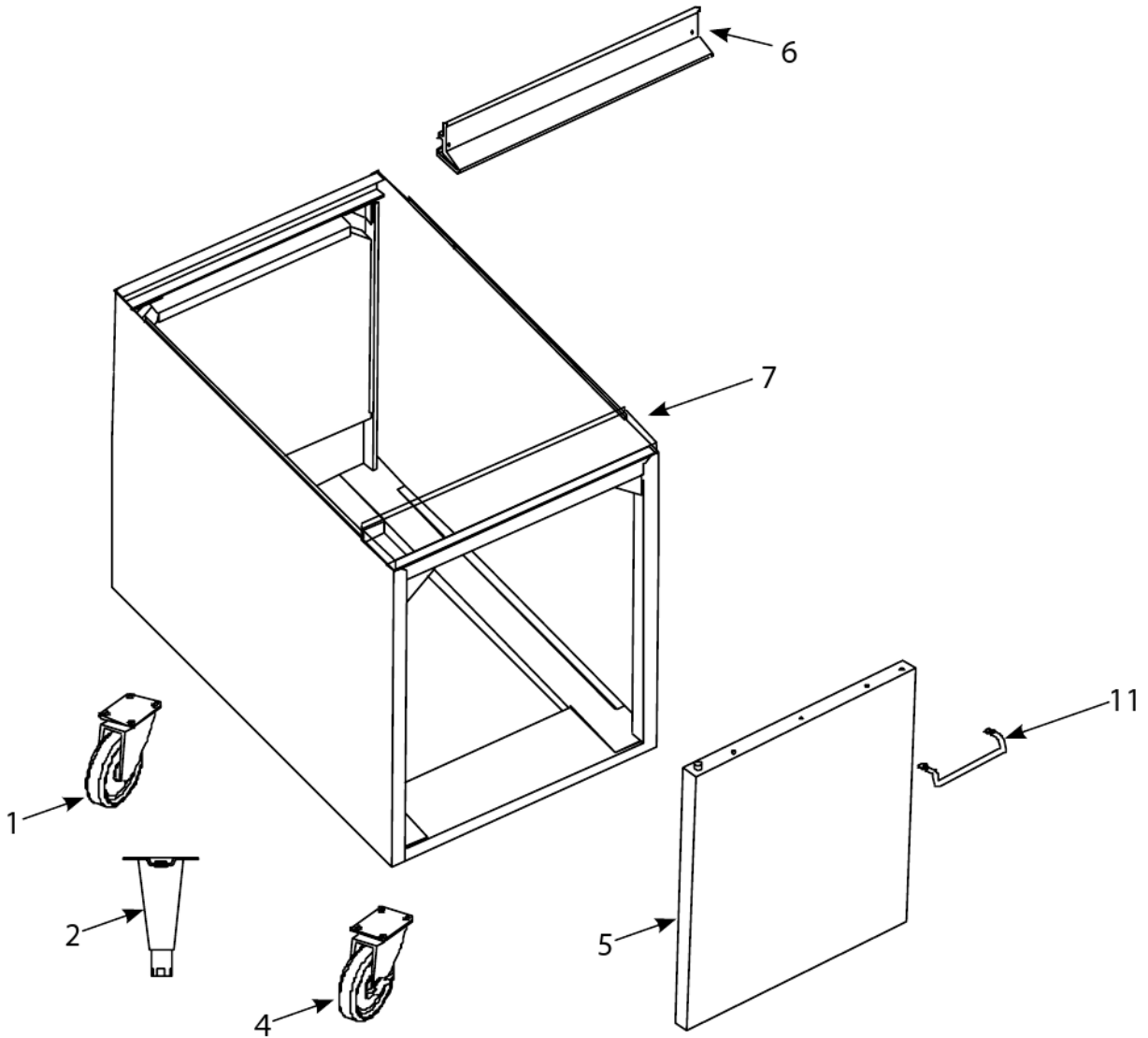
| # | PART # | DESCRIPTION | QTY | Note |
|---|---------|-------------------------------------|-----|------|
| 1 | 8262014 | Operating thermostat | 1 | |
| 2 | 8160139 | Knob - Thermostat | 1 | |
| 3 | 8073498 | Switch, On/Off | 1 | |
| 4 | 8101202 | Contactora, 24V 40 Amp Mechanical | 1 | |
| 5 | 8072180 | Transformer - 208-240V/24V 50A | 1 | |
| 6 | 8071174 | Fuse, 3 AMP, 250V, Slow-Blow | 1 | |
| 7 | 8071268 | Splicer, Terminal Block Single Pole | 1 | [1] |
| 8 | 8070065 | Block, Terminal | 1 | |
| 9 | 8070070 | Terminal, Ground Lug | 1 | |

PART NOTES:

[1] - Neutral

Value-14-17 Electric Fryers

Miscellaneous Parts



Value-14-17 Electric Fryers

Miscellaneous Parts

| # | PART # | DESCRIPTION | QTY | Note |
|----|-----------|--|-----|------|
| 1 | 8100356 | Caster without Brake - 5" | 1 | |
| 2 | 8103168 | Leg - Individual | 1 | |
| 3 | 8263320 | Leg - 4 Pack | 4 | |
| 4 | 8100357 | Caster with Brake - 5" | 1 | |
| 5 | 8064926 | Door Assembly | 1 | |
| 6 | 8030028 | Hanger AL (obsolete) | 1 | |
| 7 | 9104408 | Top Cap | 1 | |
| 8 | 8070063 | Hi-Limit thermostat | 1 | |
| 9 | 9101614 | Thermostat Guard | 1 | |
| 10 | 8066993 | Drain Valve, 1-0.25" | 1 | |
| 11 | 8100820 | Components, Handle, Drain Valve w/o Lock Pin | 1 | |
| 12 | 8130188 | Drain Nipple, Extended | 1 | |
| 13 | 8231775SP | Frypot, V14/17 | 1 | |
| 14 | 8072645 | Heating Element, 240V 8.5 kW/ 220V 7 kW | 1 | |
| 15 | 8072641 | Heating Element, 220V 8.5 kW | 1 | |
| 16 | 8072644 | Heating Element, 240V 7 kW | 1 | |
| 17 | 8072645 | Heating Element, 240V 8.5 kW/ 220V 7 kW | 1 | |
| 18 | 8072647 | Heating Element, 380V 7 kW | 1 | |
| 19 | 8072648 | Heating Element, 380V 8.5 kW | 1 | |