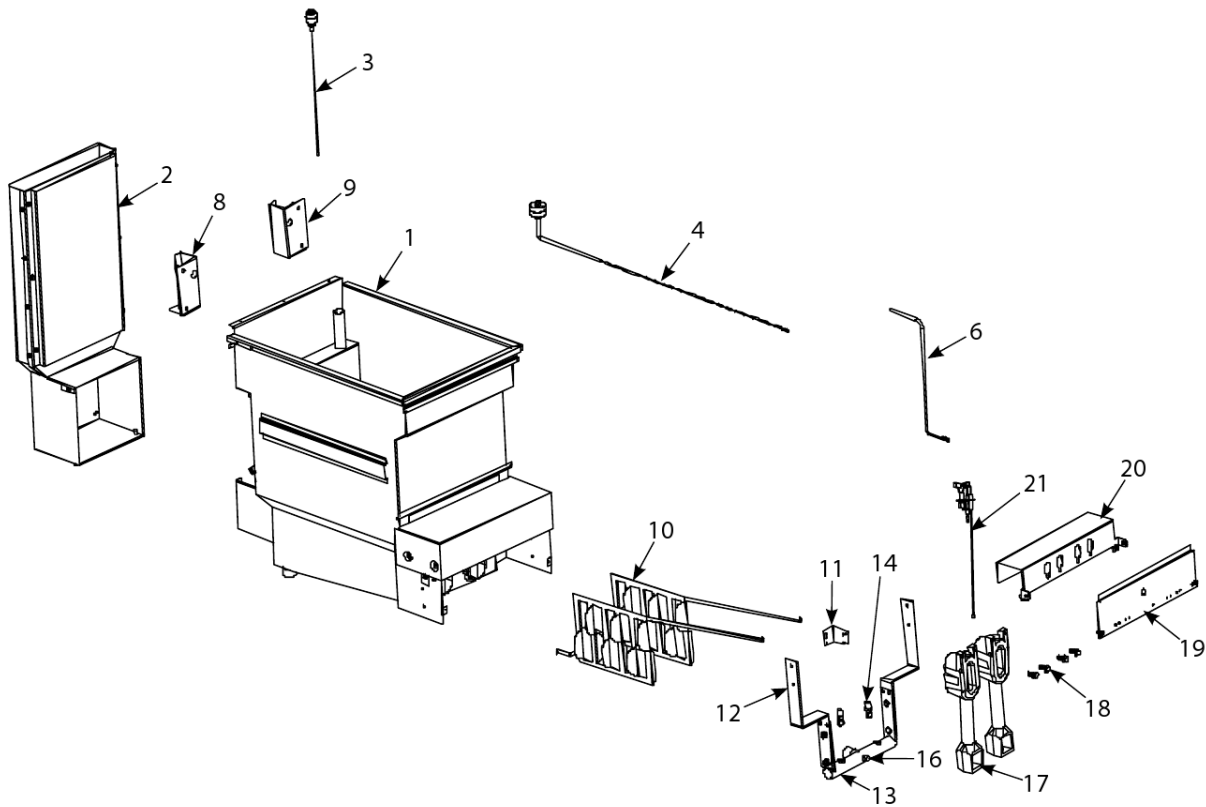


# YFG255

## Cookpot Assemblies and Components



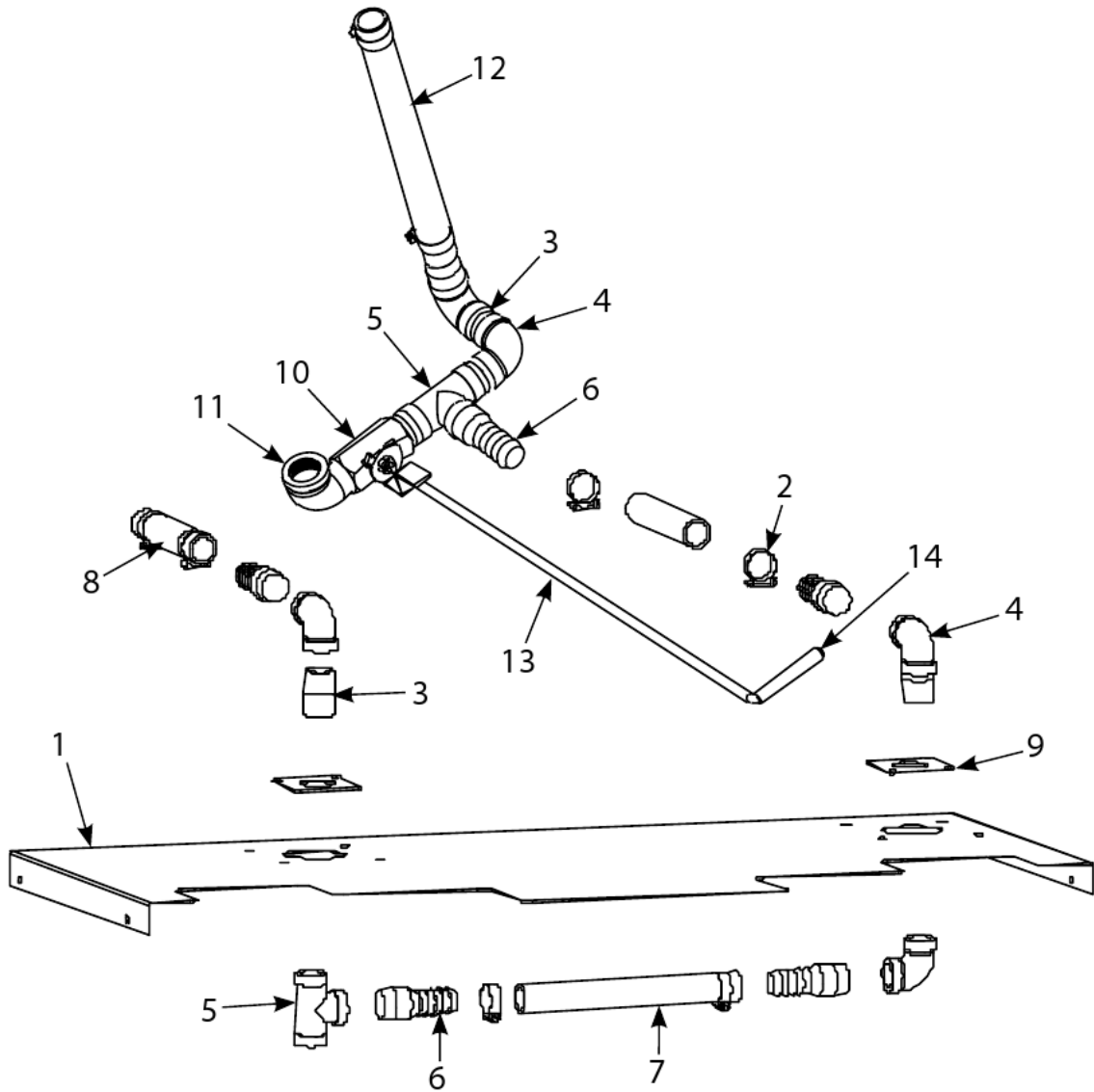
# YFG255

## Cookpot Assemblies and Components

#	PART #	DESCRIPTION	QTY	Note
1	8237641SP	Cookpot	1	
2	1080129	Flue Box Assembly	1	
3	8262622	Float Switch Kit	1	
3a	8130619	Flareless Male Tube Connection SS	1	
4	1080934	Lower Float Switch	1	
5	8262705	Snap Ring	5	
6	8262787	Digital Controller - with Probe and Fitting	1	
7	8103912	Fitting, Compression 0.25" NPT	1	
8	2318164	Support, Hinge Left	1	
9	2328164	Support, Hinge Right	1	
10	2306251	Baffle, Burner	1	
11	2306301	Bracket, Pilot Burner	1	
12	8242228	Support, Burner Manifold	1	
13	8103221	Manifold, Burner	1	
14	8102926	Orifice, Natural Gas (G20/25) 2.38mm (#42)	1	
15	8102941	Orifice, Propane (G30/31) 1.51mm (#53)	1	
16	8130154	Plug, 0.125-inch NPT Hex Head Pipe	1	
17	1082612SP	Burner, High Efficiency	1	
18	8090459	Bolts, Burner 0.3125" – 18x 0.75" Hex Head Washer	1	
19	2001330	Heat Shield	1	
20	2205955	Bracket, Burner Cast Iron	1	
21	1082481	Pilot Assembly - Natural Gas	1	
21a	1082614	Pilot Assembly - LP	1	
22	8071310	Flame Sensor, Ignitor	1	
23	1061238SP	Pilot Assemblies Natural Gas, Electronic Ignition without Controller Non-CE	1	
23a	KIT6627SP	Pilot Assemblies LP Gas, Electronic Ignition without Controller Non-CE	1	

# YFG255

## Plumbing, Drain



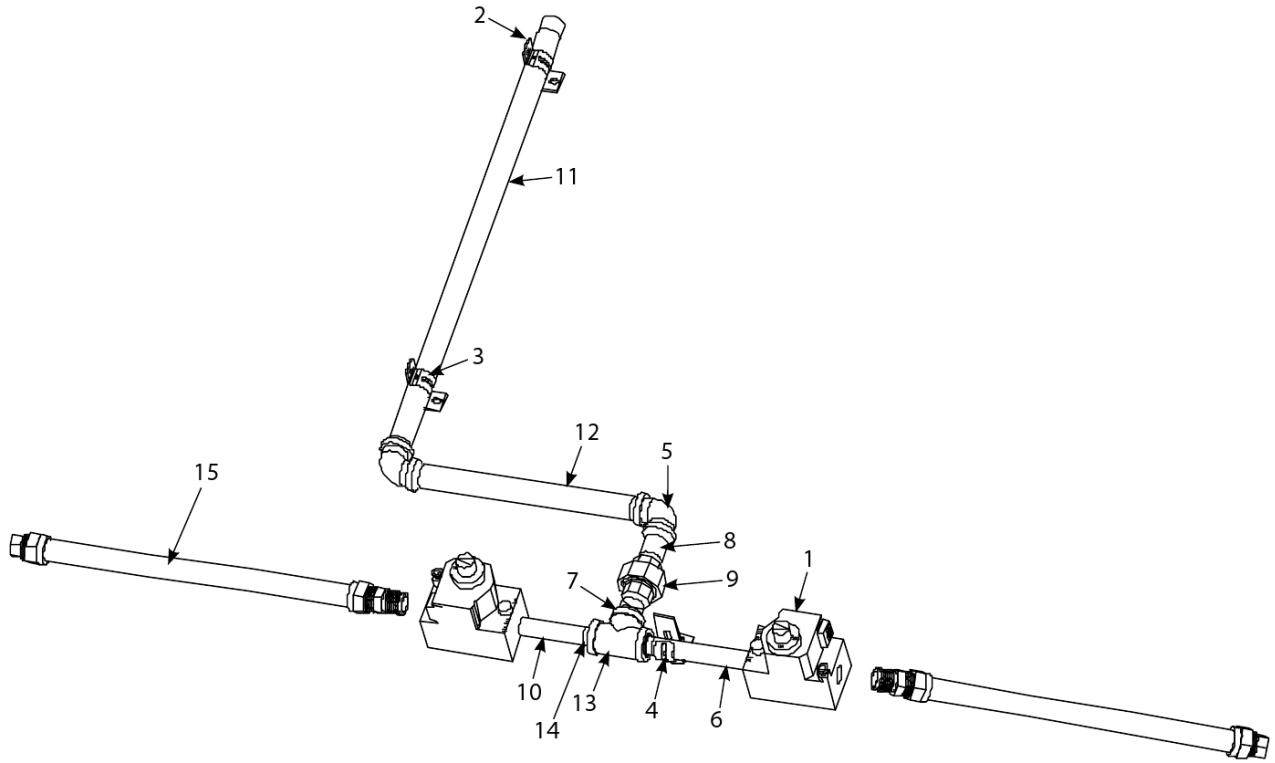
# YFG255

## Plumbing, Drain

#	PART #	DESCRIPTION	QTY	Note
1	2208186	Shield, Vapor	1	
2	8090374	Clamp, Hose	1	
3	8130138	Nipple, 1-inch NPT x Close	1	
4	8130202	Elbow, 1-inch NPT x 90°	1	
5	8130314	Tee, 1-inch NPT	1	
6	8130525	Fitting, Barb 1-inch to Hose	1	
7	8160779	Hose, drain	1	
8	8160787	Drain Hose - 6.75"	1	
9	8237649	Plate Assembly	1	
10	8103569	Valve, drain, brass 1"	1	
11	8130266	Elbow, Street, 1" NPT	1	
12	8160910	Drain Hose - 12.5"	1	
13	8236279	Drain Handle	1	
14	8160639	Cap, Vinyl Red	1	

# YFG255

## Plumbing, Gas Manifold



# YFG255

## Plumbing, Gas Manifold

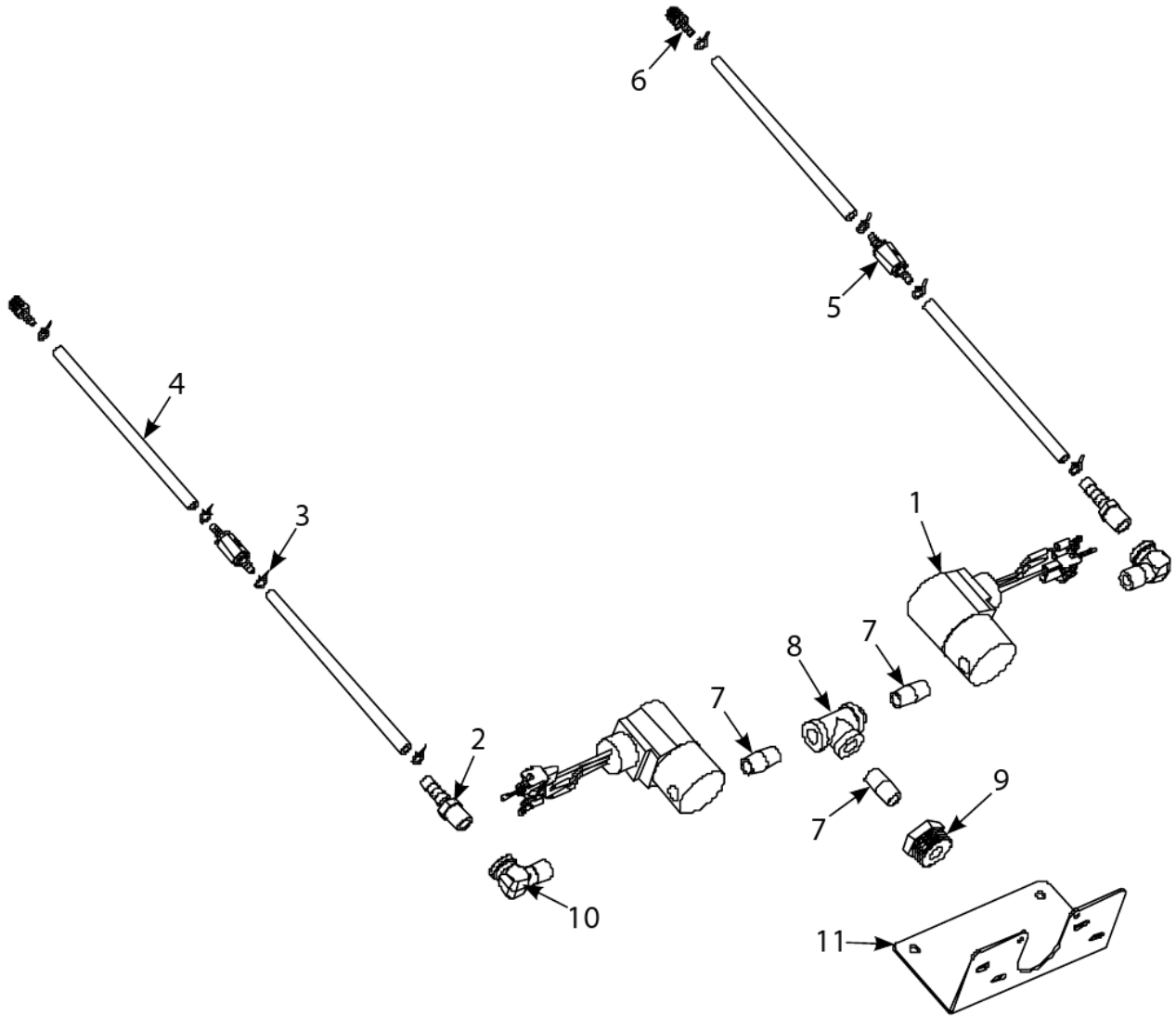
#	PART #	DESCRIPTION	QTY	Note
1	8073552	Gas Valve, Natural and Manufactured Gas, 24V	1	
1a	8073628	Gas Valve, LP, 24V	1	
2	2001450	Bracket, Gas-Supply Clamp Support	1	
3	8102808	Clamp, 0.75"	1	
4	8103722	Clamp, 0.5" Pipe Heavy	1	
5	8130066	Elbow, 0.75-inch NPT x 90°	1	
6	8130096	Nipple, 0.6-inch NPT x 6-inch (15.2 cm)	1	
7	8130112	Nipple, 0.75-inch NPT x 2-inch (5.1 cm)	1	
8	8130114	Nipple, 0.75" x 2.50 NPT	1	
9	8130174	Union, 0.75" NPT BM	1	
10	8130251	Nipple, 0.5" x 4.5" NPT BM Pipe	1	
11	8130257	Nipple, 0.75-inch NPT BM, 24.5-inch	1	
12	8130382	Nipple, 0.75" x 11.50" NPT	1	
13	8130387	Tee, 0.75-inch NPT	1	
14	8130763-FRY	Bushing, 0.75" NPT to 0.5" NPT	1	
15	8102542	Flexline - 0.75" NPT x 18.5" L	1	
16	8100703	Pilot Tubing, Gas Valve to Pilot	1	[1]
17	8100691	Tube, 0.125-inch Vent	1	
18	8102734	Gas Line - 0.75" x 48"	1	[2]

### PART NOTES:

- [1] - Gas Valve to Pilot Assy.
- [2] - with Quick Disconnect

# YFG255

## Plumbing, Incoming Water



# YFG255

## Plumbing, Incoming Water

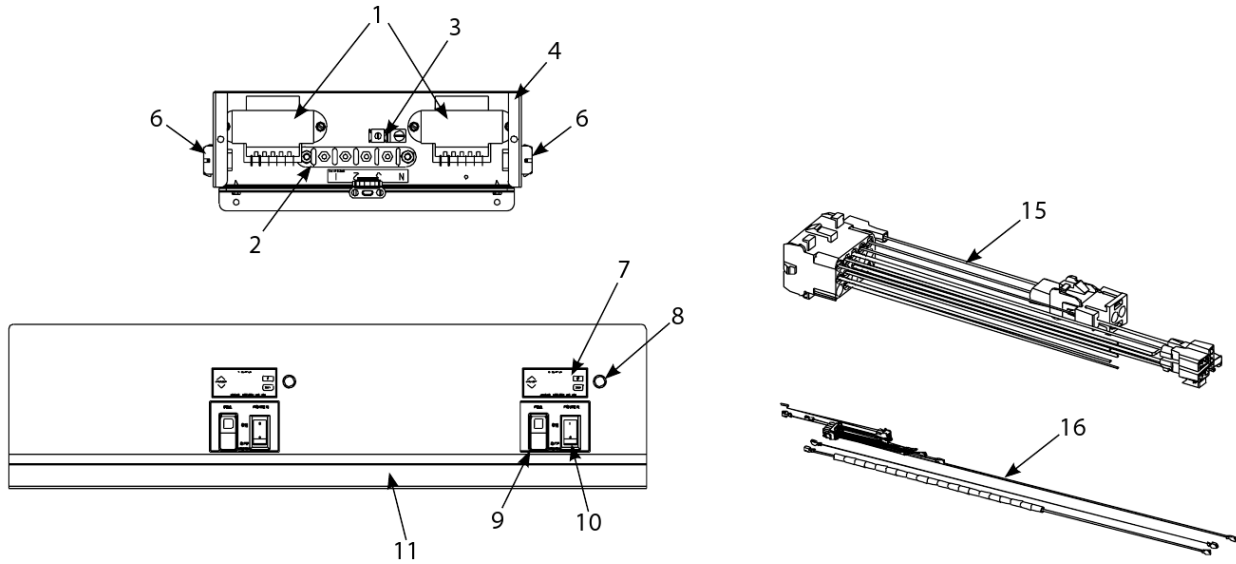
#	PART #	DESCRIPTION	QTY	Note
1	1080933	Solenoid Valve Assembly	1	
2	8103199	Fitting, 0.25" NPT x 0.375", Hose Barb	1	
3	8103244	Clamp, 0.625" hose	1	
4	8111141	Tubing, 0.375 "	1	[1]
5	8103243	Check valve, in-line	1	
6	8103258	Adaptor, 0.375" Barb x 0.5" NPT Brass	1	
7	8130582	Nipple, 0.25" NPT Close Brass	1	
8	8130449	Tee, 0.25 -inch NPT Brass	1	
9	8103573	Adapter, hose to pipe 0.25 x 0.75"	1	
10	8130502	Elbow, 90° Street x 0.25-inch	1	
11	2206016	Mount Solenoid	1	

**PART NOTES:**

[1] - sold by the foot

# YFG255

## Transformer Boxes and Control Frame Assemblies, Harnesses and Fasteners



---

Transformer Boxes and Control Frame Assemblies, Harnesses and Fasteners

# YFG255

## Transformer Boxes and Control Frame Assemblies, Harnesses and Fasteners

#	PART #	DESCRIPTION	QTY	Note
1	8074978	Transformer - Dual Voltage 100-120V/12V 30VA /24V 50VA	1	
2	8071973	Terminal, Post	1	
3	8070070	Terminal, Ground Lug	1	
4	8237781	Transformer Box	1	
5	2207698	Cover - Transformer Box	1	
6	1080959	Harness Assembly	1	
7	8262787	Digital Controller - with Probe and Fitting	1	
8	1064729	Assembly, Green Indicator 24V Light	1	
9	8073576	Switch, Fryer Reset	1	
10	8074036	Switch	1	
11	2308183	Fascia, Control Panel	1	
12	1082801	Harness, Controller, Switch and Light	1	
13	1067649	Cordset, 10' Power	1	
15	1082801	Harness, Controller, Switch and Light	1	
16	1082802	Hinge Link - Right	1	
17	8090428	Screw - 0.25"-20 x 0.5" Steel	1	
18	8090429	Bolt - 0.25"- 20 x 2.00" Hex Head ZP Tap	1	
19	8090514	Cap Screw - 0.3125" 18 NC Hex	1	
20	8090448	Clip, Tinnerman	1	
21	8261366	Nut - #4-40 Keps Hex	1	
22	8261366	Nut - #4-40 Keps Hex	25	
23	8261358	Nut, 6-32 Keps Hex	1	
24	8261358	Nut, 6-32 Keps Hex	25	
25	8090247	Nut - #8-32 Keps Hex	1	
26	8261376	Nut - #10-32 Keps Hex	1	
27	8261376	Nut - #10-32 Keps Hex	10	
28	8090766	Nut, 10-32 Keps Hex SS	1	
29	8090581	Nut, 0.5 NPT Locking	1	
30	8090020	Nut Cap 10-24 NP	1	
31	8261372	Nut Grip 0.25-inch 0.25-20 Hex NP	1	
32	8261372	Nut Grip 0.25-inch 0.25-20 Hex NP	10	
33	8261368	Nut - 0.25-20 Serrated Flange	1	
34	8090535	Nut, "T" 0.25-inch-20 x 0.4375 SS	1	
35	8261389	Screw - 0.25"-20 x 0.75" Hex Head ZP	1	
36	8261389	Screw - 0.25"-20 x 0.75" Hex Head ZP	10	
37	8090540	Nut, Lock 0.5-inch-13 Hex 2-Way ZP	1	
38	8130154	Plug, 0.125-inch NPT Hex Head Pipe	1	
39	8261359	Screw - #4-40 x 0.75" Slotted Round Head	1	
40	8261359	Screw - #4-40 x 0.75" Slotted Round Head	25	
41	8261365	Screw, 6-32 x 0.375-inch Slot Head	1	
43	8090357	Screw, 6 x 0.375-inch Phillips Head NP	1	
44	8090359	Screw, 8 x 0.25-inch Hex Washer Head	1	
45	8090360	Screw, 8 x 0.375-inch Hex Washer Slot Head	1	
46	8261371	Screw - #8 x 0.5" Hex Head ZP	1	
48	8090818	Screw, 8 x 0.5-inch Type B	1	
49	8090364	Screw - #8 x 0.625" Hex Washer Head ZP	1	

Transformer Boxes and Control Frame Assemblies, Harnesses and Fasteners

# YFG255

## Transformer Boxes and Control Frame Assemblies, Harnesses and Fasteners

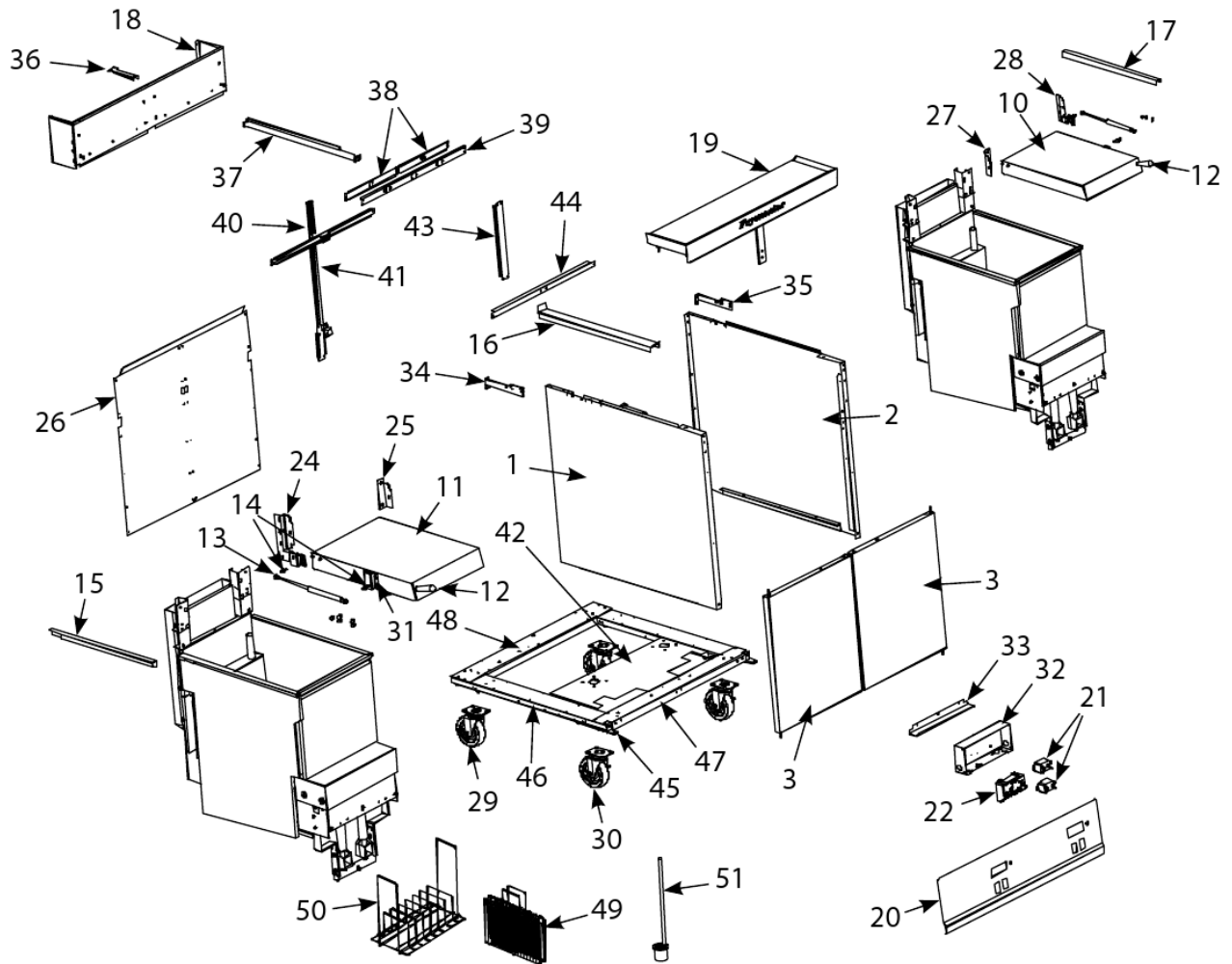
#	PART #	DESCRIPTION	QTY	Note
50	8090518	Screw, 8-32 x 0.375-inch Hex Washer Slotted Head SS	1	
51	8090104	Screw, 8-32 x 0.5-inch Slotted Head ZP	1	
52	8261363	Screw - #8-32 x 0.5" NP	1	
54	8261360	Screw - #10-24 x 0.3125" Round Slot Head ZP	1	
56	8261330	Screw, 10-32 x 0.375-inch Slot Head SS	1	[1]
57	8091003	Screw - #10-32 x 0.375" Hex Trim Head SS	1	
58	8261375	Screw - #10-32 x 0.75" - Hex Trim Head SS	1	
60	8091000	Screw - #10-32 x 1.25" - Hex	1	
61	8261374	Screw - #10 x 0.5" Hex Head	1	
62	8261374	Screw - #10 x 0.5" Hex Head	25	
63	8090266	Screw, 10 x 0.5-inch Phillips Head ZP	1	
64	8090475	Screw - #10-32 x 0.3125" Hex	1	
65	8090123	Screw - #10 x 0.75" - Slot Head	1	
66	8261389	Screw - 0.25"-20 x 0.75" Hex Head ZP	1	
68	8090582	Washer 0.5 NPT Locking	1	
69	8090184	Washer, #10 LK ZP	1	
70	8090190	Washer, .625 X .275 X 40 Flat SS	1	
71	8090191	Washer, Lock 0.25 Spring ZP	1	
72	8090193	Flat Washer - 0.25" Nylon	1	
73	8090194	Flat Washer - 0.3125" ZP	1	

**PART NOTES:**

[1] - 8090117

# YFG255

## YFG255 Cabinet and Related Components



YFG255 Cabinet and Related Components

# YFG255

## YFG255 Cabinet and Related Components

#	PART #	DESCRIPTION	QTY	Note
1	2318755	Side Panel - Left	1	
2	2328755	Side Panel - Right	1	
3	1081803	Door Assembly	1	
4	1064067SP	Door Pin Assembly	1	
5	2305472	Handle	1	
6	2307249	Panel, Door	1	
7	2307324	Panel, Door Liner	1	
8	8261343	Spring - Door Pin Hinge	1	
9	8102346	Door Magnet - Horizontal	1	
10	1081111	Cover Assembly, Cookpot Right	1	[1]
11	1081110	Cover Assembly, Cookpot Left	1	[1]
12	8101374	Handle, cover	1	
12a	8090603	Screw, 0.375x24, handle cover	1	
13	8103879	Shock, Gas Spring	1	
14	8103881	Mount, Ball Stud 10MM	1	
15	2318098	Strip, Cookpot Rim Left	1	
16	2307244	Strip, Joiner	1	
17	2328098	Strip, Cookpot Rim Right	1	
18	8237899	Fluecap	1	
19	8237944	Topcap	1	
20	2308183	Fascia, Control Panel	1	
21	8070012	Filter Relay - 18A 24VAC	1	
22	8262117	Ignition/Spark Module	1	
23	1063553SP	Cable, Ignition with Rajah Connector	1	
24	2316531	Hinge, Frypot Cover Outer Left	1	
25	2318049	Hinge, Cover Inner Left	1	
26	2208050	Back	1	
27	2328049	Hinge, Cover Inner Right	1	
28	2326531	Hinge, Frypot Cover Outer Right	1	
29	8261117	Caster, 5" Swivel w/o Brake	1	[2]
30	8261118	Caster, 5" Swivel w/Brake	1	[2]
31	2308039	Pivot, Cover Front	1	
32	2207231	Box, Component	1	
33	2307383	Seal, Cookpot Cover	1	
34	2218051	Plate, Hinge Backing Left	1	
35	2228051	Plate, Hinge Backing Right	1	
36	2208081	Support, Fluecap	1	
37	2202773	Divider, Cookpot	1	
38	2207229	Brace, Back	1	
39	2207228	Brace, Horizontal Cabinet	1	
40	2207423	Post, Cabinet Rear	1	
41	2208126	Brace, Cabinet Lower	1	
42	2208186	Shield, Vapor	1	
43	2206033	Bracket, Component Box Support	1	
44	2207230	Brace, Rear Cabinet	1	
45	2307192	Hinge, Door Lower	1	

YFG255 Cabinet and Related Components

# YFG255

## YFG255 Cabinet and Related Components

#	PART #	DESCRIPTION	QTY	Note
46	2202793	Channel, Base	1	
47	2207227	Channel, Front Base	1	
48	2207226	Channel, Rear Base	1	
49	8030325	Insert, Master Rack	1	
50	8030324	Master Rack 9.125" x 13.00"	1	
51	8238148	Strainer	1	
52	8030278	L-shaped Brush	1	

**PART NOTES:**

- [1] - includes door panel
- [2] - includes washers and screws