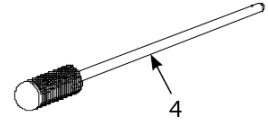
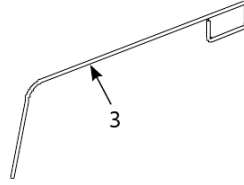
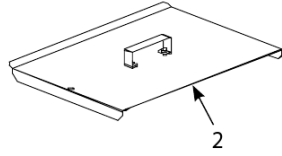


# YFPRE Series Electric Fryers

## Accessories



# YFPRE Series Electric Fryers

## Accessories

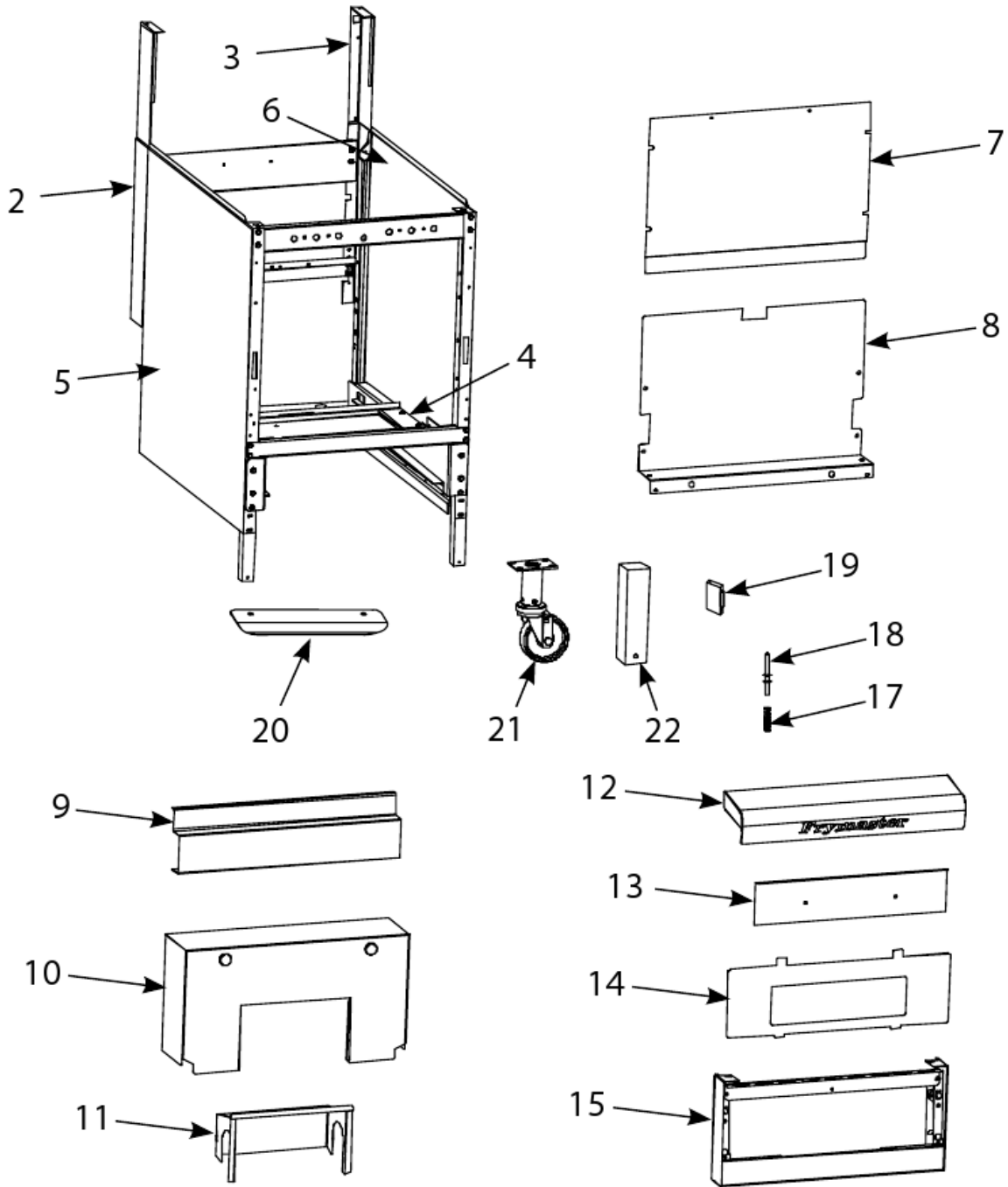
#	PART #	DESCRIPTION	QTY	Note
1	8030366	Basket, 4-Lane Cooking	1	
2	1069620	Cover, Full-Vat Frypot	1	
3	8030278	L-shaped Brush	1	
4	8030197	Fryer's Friend	1	
5	8030380	Rack, Full-Vat Basket Support	1	
6	8030002	Powder, Filter	1	[1]
7	8030170	Filter Paper, 16.5" x 25.75"	1	
8	8030293	Gloves, Neoprene	1	

**PART NOTES:**

[1] - 80 1-Cup Applications

# YFPRE Series Electric Fryers

## Cabinetry



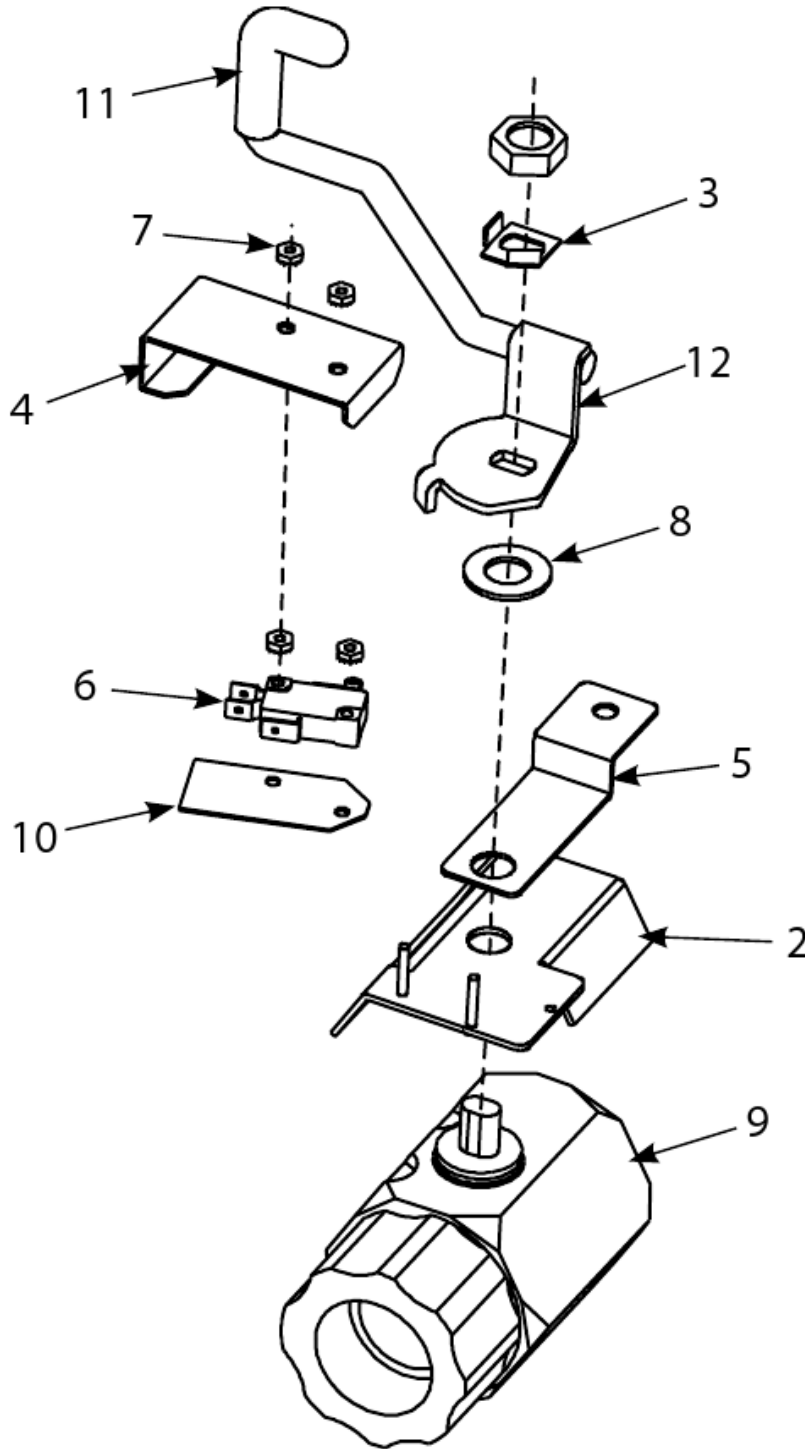
# YFPRE Series Electric Fryers

## Cabinetry

#	PART #	DESCRIPTION	QTY	Note
1	1069311	Cabinet Assembly	1	
2	1069431	Upright Assembly, LT Enclosure	1	
3	1069432	Upright Assembly, RT Enclosure	1	
4	<a href="#">8241920</a>	Bridge Weldment, Pump/Motor	1	
5	2324568	Side, RT, Cabinet	1	
6	2314568	Side, LT, Cabinet	1	
7	2204316	Back Panel - Upper	1	
8	2204317	Back Panel - Lower	1	
9	2304318	Basket Hanger, KFC	1	
10	8236716	Tilt Housing Single Station	1	
11	<a href="#">8235440</a>	Cove, Element Tilt Housing	1	
12	1081722	Top Cap	1	
13	2204328	Heat Shield, Top Cap	1	
14	2304332	Bezel, One-Controller	1	
15	1069346	Frame - Control Panel	1	
16	<a href="#">1067710</a>	Door Assembly, left or right	1	
16a	<a href="#">1081284SP</a>	Computer, McDonald's M3000 Gas Fryer SMT, Non-CE M3000	1	
17	<a href="#">8261343</a>	Spring - Door Pin Hinge	1	
18	<a href="#">1064067SP</a>	Door Pin Assembly	1	
19	<a href="#">8101105</a>	Door Magnet - Vertical	1	
20	<a href="#">2108077</a>	Door Handle - Chrome	1	
21	<a href="#">8122227</a>	Rear Caster, without brake	1	
22	<a href="#">8103010</a>	Leg, Single Fryer Single-Station Fryer	1	
23	<a href="#">8232844</a>	Caster, BIH152 Front	1	

# YFPRE Series Electric Fryers

## Drain Components



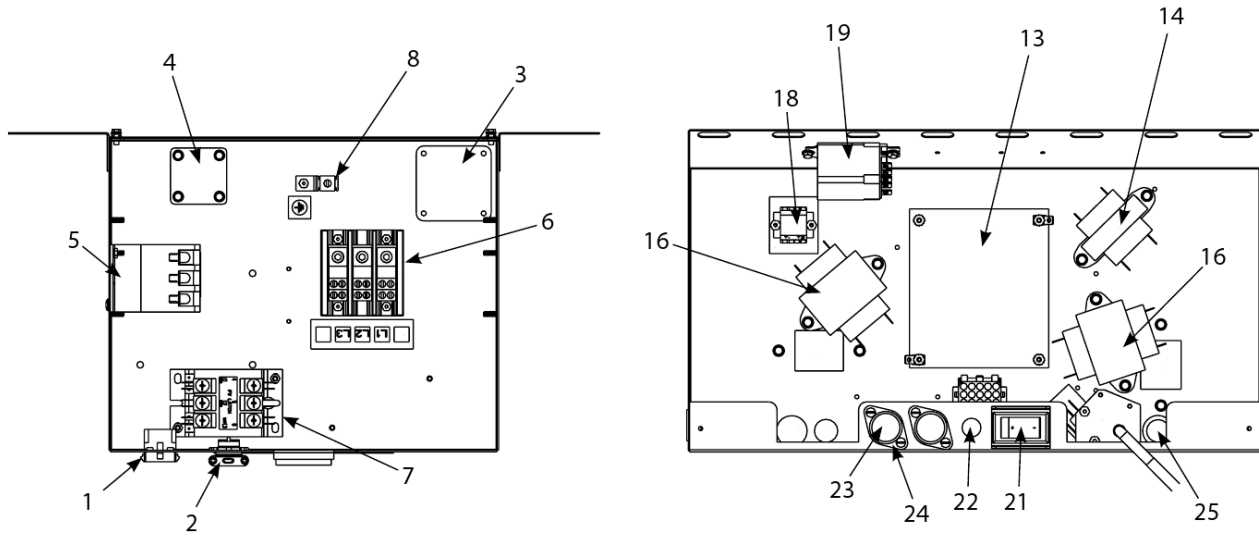
# YFPRE Series Electric Fryers

## Drain Components

#	PART #	DESCRIPTION	QTY	Note
1	1069351SP	Drain Valve Assembly	1	
2	1066020	Bracket Assy 1.25" Drain Valve	1	
3	2001257	Retainer, Drain Valve Nut	1	
4	2200143	Guard, BID180 Microswitch Drain	1	
5	2204497	Strap, 1-0.25" Drain Valve	1	
6	8072104	Microswitch	1	
7	8261366	Nut - #4-40 Keps Hex	1	
8	8090988	Washer, 1.00 OD x .525 ID Teflon	1	
9	8102784	Valve, 1.25" Full Port Drain	1	
10	8160220	Insulation, Microswitch	1	
11	8160549	Cap, Flush Valve Handle- Blue	1	
12	8236262	Handle - Drain Valve	1	
13	8236712	Drain Tube, Downspout	1	

# YFPRE Series Electric Fryers

## Electronics and Wiring Components - Contactor Box, Component Box



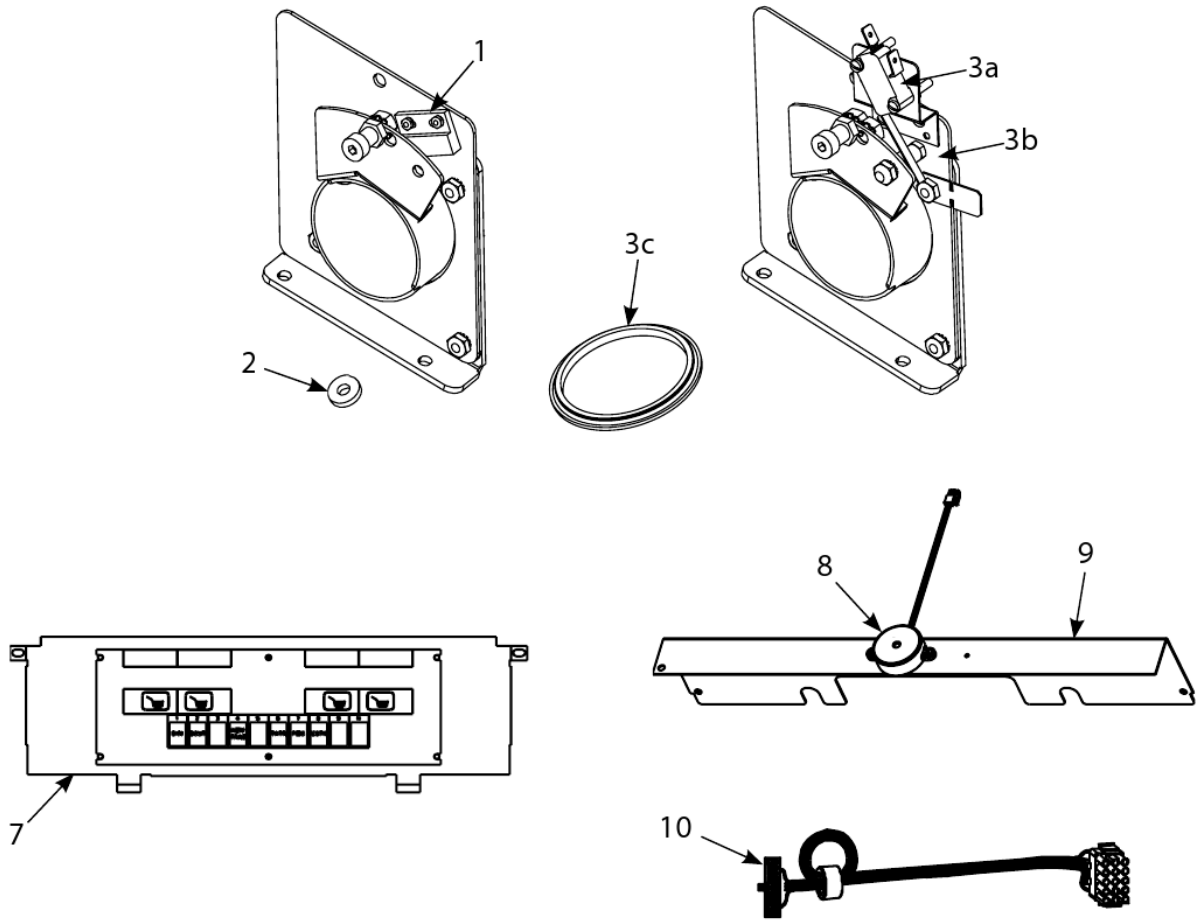
# YFPRE Series Electric Fryers

## Electronics and Wiring Components - Contactor Box, Component Box

#	PART #	DESCRIPTION	QTY	Note
1	1080159	Contactora Box Harness Assembly, 12-Pin	1	
2	1080158	Harness Assembly, 208/240 Contactora Box Power	1	
2a	1081047	Harness Assembly, Contactora Box Power, CE	1	
3	2204489	Plate, Contactora Box Cordset Cover	1	
4	2206878	Plate, Power Cord Cover	1	
5	8072284	Contactora, 24V 50 Amp Mechanical	1	
6	8073970	Block, Terminal 3 pole 600V 175A	1	
7	8101202	Contactora, 24V 40 Amp Mechanical	1	
8	8070070	Terminal, Ground Lug	1	
9	1068744	14/17 kW Mechanical Contactora	1	
9a	1068745	14/17 kW Mechanical Contactora	1	
10	8074658	Domestic 208/240V	1	
11	8073835	Power Cords, 220-250V 3-Phase 4-wire w/o plug Export 92"	1	
12	1069227	Component Box - 208-240V FV	1	
12a	1081043	Component Box - 208-240V FV CE	1	
13	8262260	Standard Interface Board	1	
14	8070979	Transformer, 208V/240V/12V	1	
14a	8072191	Transformer - 208-240V -12V 30VA	1	
15	8071597	Fuse - 3amp Slo-Blow	1	
16	8070680	Transformer, 208V, 50/60Hz -24V 20VA	1	
17	8072180	Transformer - 208-240V/24V 50A	1	
18	8101164	Block, One-Piece Screwless Terminal	1	
19	8070670	Relay, 24V DPDT	1	
20	8070012	Filter Relay - 18A 24VAC	1	
21	8074036	Switch	1	
22	8102446	Plug - 0.5" Heyco Double "D"	1	
23	8072278	Fuse, 20 Amp	1	
24	8070922	Holder, Bus Fuse	1	
25	8100045	Bushing, .875 Dia. Hole 0.6875"	1	
26	1065750SP	Full Vat Control Harness J4 to J2	1	

# YFPRE Series Electric Fryers

## Electronics and Wiring Components - Tilt Switch Assembly, 4-Lane Controller



# YFPRE Series Electric Fryers

## Electronics and Wiring Components - Tilt Switch Assembly, 4-Lane Controller

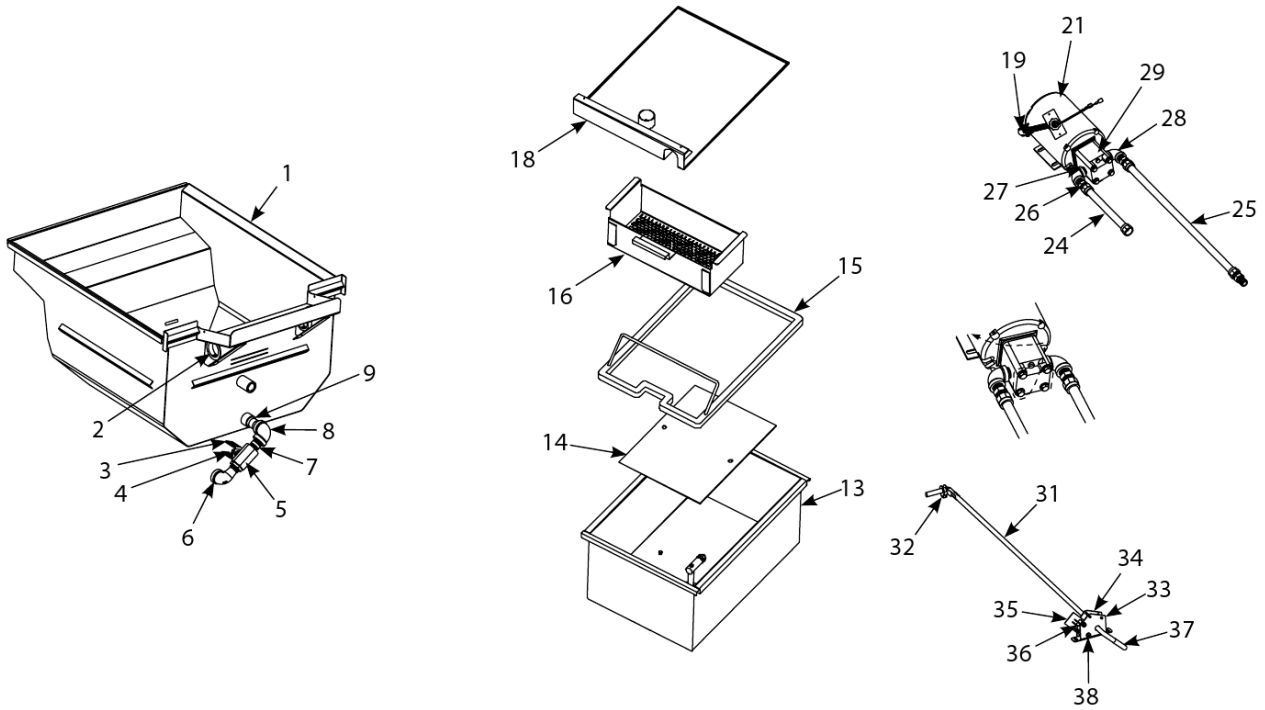
#	PART #	DESCRIPTION	QTY	Note
1	1065876SP	Magnet Sensor	1	[1]
2	8103007	Magnet - Ring	1	[1]
3	8262598	Kit, Tilt Switch	1	[2]
3a	8074742	Switch, Long Lever High Temp	1	
3b	2205352	Bracket, Mechanical Tilt Switch	1	
3c	8102993	Bushing, Tube End Teflon	1	
7	8262859	Wingstreet 4-lane Computer	1	
8	8103141	Sound Device, Universal SMT	1	
9	2204284	Guard	1	
10	8074199	Cable, 20-pin Controller to 15-pin Interface Board – SMT for fryer's with CM 3.5 controller.	1	

### PART NOTES:

- [1] - serial numbers before 08/09
- [2] - serial numbers after 08/09

# YFPRE Series Electric Fryers

## Frypot and Associated Parts, Filtration System Components



# YFPRE Series Electric Fryers

## Frypot and Associated Parts, Filtration System Components

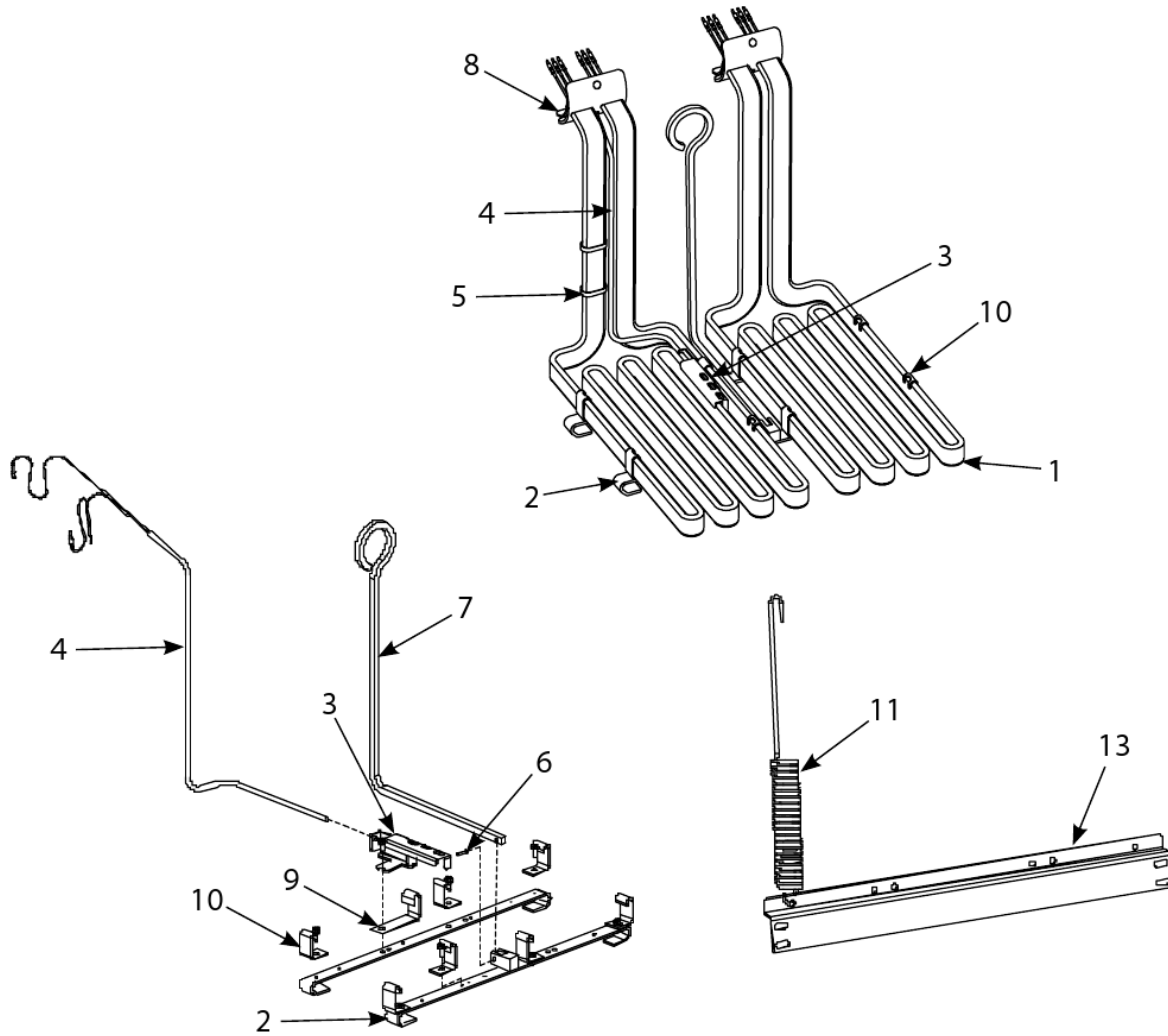
#	PART #	DESCRIPTION	QTY	Note
1	8236706	Frypot	1	
2	8070128	Bushing, Insulating Heyco	1	
3	2204564	Handle, Oil Return	1	
4	9002935	Retainer, Nut Oil Return Valve	1	
5	8100278	Valve, 0.5" Ball	1	
6	8130165	Elbow - 0.5" x 90° NPT Street	1	
7	8130087	Nipple, 0.5-inch NPT x 1.5-inch (3.8 cm)	1	
8	8130062	Elbow - 0.5" BM x 90°	1	
9	8130298	Nipple, 0.5" x 2.00" NPT BM Pipe	1	
10	8261177	Thermostat, High-Limit 425°F/218°C	1	
11	1065876SP	Magnet Sensor	1	
12	1069313	Filter Pan Assembly	1	
13	8237086	Filter Pan	1	
14	2204446	SanaGrid Filter Screen	1	
15	8103414	Ring, Wireform Holddown	1	
16	8241957	Crumb Basket	1	
17	8261392	O-Ring	5	
18	8236714	Lid, Filter Pan	1	
19	1065906SP	Wiring Harness - 208/230/240/250V Filter Pump	1	
20	1065912SP	Heater Strip Assembly -208-250V/25W - 18"	1	
21	8261756	Motor and Gasket Kit - 208V/50-60 Hz	1	[1]
22	8261270	Motor and Gasket Kit - 220-240V/50-60 Hz	1	[1]
23	8160093	Gasket - Pump/Motor	1	
24	8101055	Flexline - 0.625" OD x 11.5" L	1	
25	8101068	Flexline - 0.625" OD x 21.5" L	1	
26	8101668	Male Adaptor - 0.625" OD x 0.5"	1	
27	8130022	Nipple, 0.5" Close NPT BM	1	
28	8130062	Elbow - 0.5" BM x 90°	1	
29	8262795	Pump and Gasket Kit, 4 GPM	1	[1]
30	1069255	Oil Return Handle	1	
31	8103615	Rod, Rear Flush Oil Return	1	
32	8090601	Clip, Clevis	1	
33	2205218	Bracket, Rod Retainer	1	
34	1080078	Bracket Stud Assembly	1	
35	8160220	Insulation, Microswitch	1	
36	8072103	Microswitch	1	[2]
37	8100677	Grip, Handle Round	1	
38	8261366	Nut - #4-40 Keps Hex	1	

**PART NOTES:**

- [1] - Gasket, included.
- [2] - Straight Lever

# YFPRE Series Electric Fryers

## Heating Elements and Associated Parts



# YFPRE Series Electric Fryers

## Heating Elements and Associated Parts

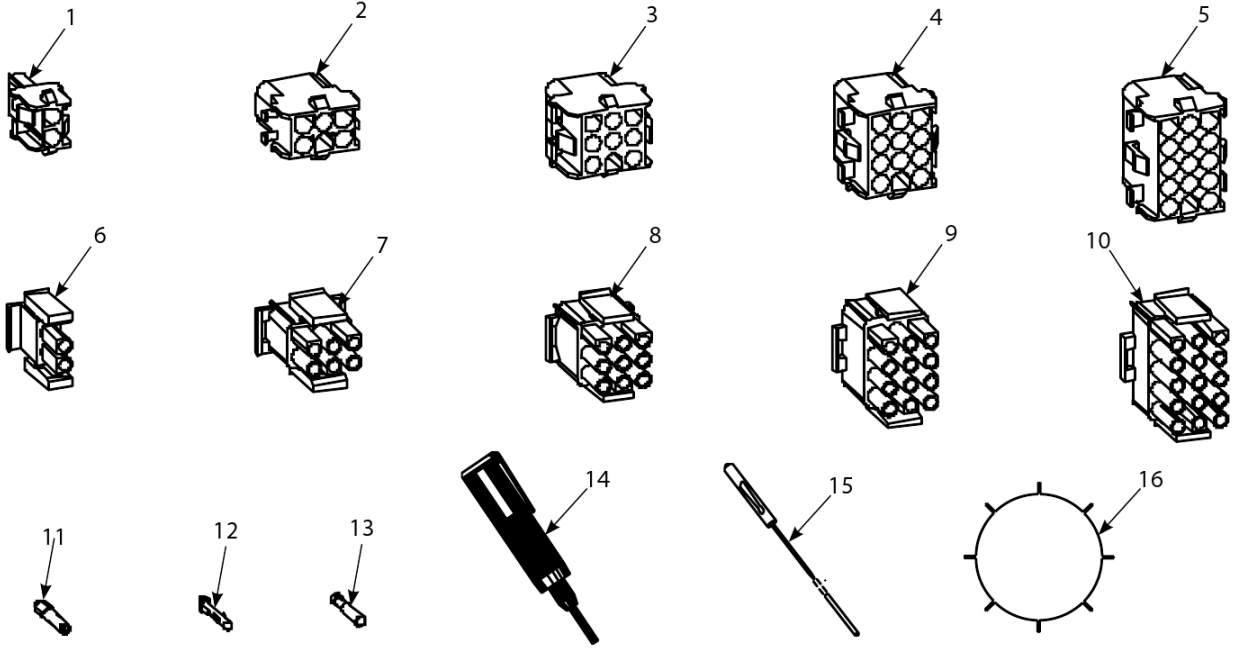
#	PART #	DESCRIPTION	QTY	Note
1	8262557	Element Kit - 208V	1	[1]
1a	8262558	Element Kit - 240V	1	[1]
1b	8262707	Element Kit - 230V	1	[1]
1c	8074653	Element Kit - 208V - 8.5 kW	1	
1d	8074841	Element Kit - 230V - 8.5 kW	1	
1e	8074688	Element Kit - 240V - 8.5 kW	1	
2	8236711	Bracket - Element	1	
3	2300784	Bracket - Temperature Probe 8.5/11 kW	1	
4	8262652	Temperature Probe - Wingstreet	1	
5	8090567	Tie-Wrap - Metal	1	
6	8101212	Pin, .125 X .5-inch Split	1	
7	8101233	Handle, Element Lift	1	
8	8160688	Gasket, Element	1	
9	2300781	Key Operated Switch Ice With Keys	1	[2]
10	9102042	Clamp, Element	1	[3]
11	8103030	Spring, Element Lift Left	1	
12	8103031	Spring, Element Lift Right	1	
13	2204302	Bracket, Lower Spring	1	
14	8160681	Grommet, Probe	1	

### PART NOTES:

- [1] - includes items 2-12
- [2] - Long
- [3] - Short  
Short

# YFPRE Series Electric Fryers

## Wiring Connectors and Pin Connectors and Fasteners



# YFPRE Series Electric Fryers

## Wiring Connectors and Pin Connectors and Fasteners

#	PART #	DESCRIPTION	QTY	Note
1	8071068	2-Pin Female	1	
2	8072136	Connector, 6-Pin Female	1	
3	8072138	Connector, 9-Pin Female	1	
4	8070159	12-Pin Female	1	
5	8070875	15-Pin Female	1	
6	8071067	2-Pin Male	1	
7	8070157	6-Pin Male	1	
8	8070155	9-Pin Male	1	
9	8070160	12-Pin Male	1	
10	8070804	15-Pin Male	1	
11	8261341	Terminal, Female Split Pin	25	
12	8261342	Terminal, Male Split Pin	25	
13	8072518	Plug, Mate-N-Lock	1	[1]
14	8070928	Extract Tool Pin Pusher	1	
15	8064855	Pin Pusher Screwdriver Assy	1	
16	2302345	SMT Pin Extractor	1	
17	8074660PK	SMT Pin Service Repair Kit	1	
18	8090514	Cap Screw - 0.3125" 18 NC Hex	1	
19	8090448	Clip, Tinnerman	1	
20	8261366	Nut - #4-40 Keps Hex	1	
21	8261366	Nut - #4-40 Keps Hex	25	
22	8090247	Nut - #8-32 Keps Hex	1	
23	8261376	Nut - #10-32 Keps Hex	1	
25	8090766	Nut, 10-32 Keps Hex SS	1	
26	8090020	Nut Cap 10-24 NP	1	
27	8261359	Screw - #4-40 x 0.75" Slotted Round Head	1	
29	8261365	Screw, 6-32 x 0.375-inch Slot Head	1	
31	8090357	Screw, 6 x 0.375-inch Phillips Head NP	1	
32	8090359	Screw, 8 x 0.25-inch Hex Washer Head	1	
33	8090360	Screw, 8 x 0.375-inch Hex Washer Slot Head	1	
34	8261371	Screw - #8 x 0.5" Hex Head ZP	1	
36	8090518	Screw, 8-32 x 0.375-inch Hex Washer Slotted Head SS	1	
37	8261363	Screw - #8-32 x 0.5" NP	1	
39	8261360	Screw - #10-24 x 0.3125" Round Slot Head ZP	1	
41	8261330	Screw, 10-32 x 0.375-inch Slot Head SS	1	[2]
42	8091003	Screw - #10-32 x 0.375" Hex Trim Head SS	1	
43	8261375	Screw - #10-32 x 0.75" - Hex Trim Head SS	1	
45	8261374	Screw - #10 x 0.5" Hex Head	1	
46	8261374	Screw - #10 x 0.5" Hex Head	25	
47	8090266	Screw, 10 x 0.5-inch Phillips Head ZP	1	
48	8261389	Screw - 0.25"-20 x 0.75" Hex Head ZP	1	
50	8090184	Washer, #10 LK ZP	1	
51	8090191	Washer, Lock 0.25 Spring ZP	1	
52	8090193	Flat Washer - 0.25" Nylon	1	
53	8090194	Flat Washer - 0.3125" ZP	1	

# YFPRE Series Electric Fryers

## Wiring Connectors and Pin Connectors and Fasteners

#	PART #	DESCRIPTION	QTY	Note
---	--------	-------------	-----	------

**PART NOTES:**

- [1] - Dummy Pin
- [2] - [8090117](#)



# YFPRE Series Electric Fryers

## Wiring Harnesses

#	PART #	DESCRIPTION	QTY	Note
1	1080159	Contactor Box Harness Assembly, 12-Pin	1	[1]
2	1068744	14/17 kW Mechanical Contactor	1	[2]
3	1068745	14/17 kW Mechanical Contactor	1	[3]
4	1065935	Filter Pump C2 to Component Box Wiring Harness	1	
5	8074194	Full Vat Harness	1	
6	1065750SP	Full Vat Control Harness J4 to J2	1	[4]
7	1065935SP	Component Box to Filter Pump Harness	1	

**PART NOTES:**

- [1] - Control
- [2] - Left Element
- [3] - Right Element
- [4] - Standard