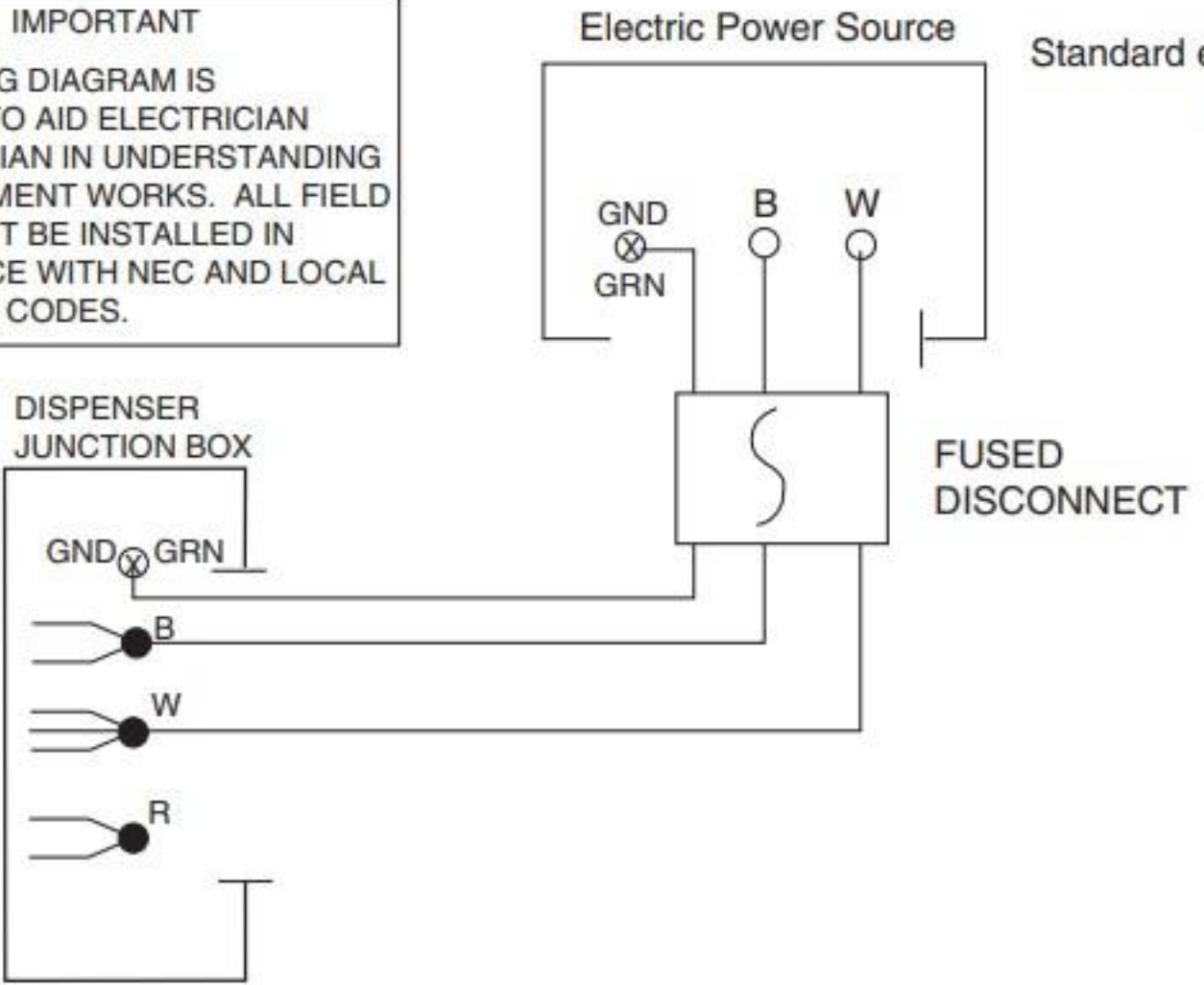


IMPORTANT
FIELD WIRING DIAGRAM IS INTENDED TO AID ELECTRICIAN OR TECHNICIAN IN UNDERSTANDING HOW EQUIPMENT WORKS. ALL FIELD WIRING MUST BE INSTALLED IN ACCORDANCE WITH NEC AND LOCAL ELECTRICAL CODES.

LEGEND
● WIRENUT
⊗ EQUIPMENT GROUND
B - BLACK
W - WHITE
R - RED
GRN - GREEN



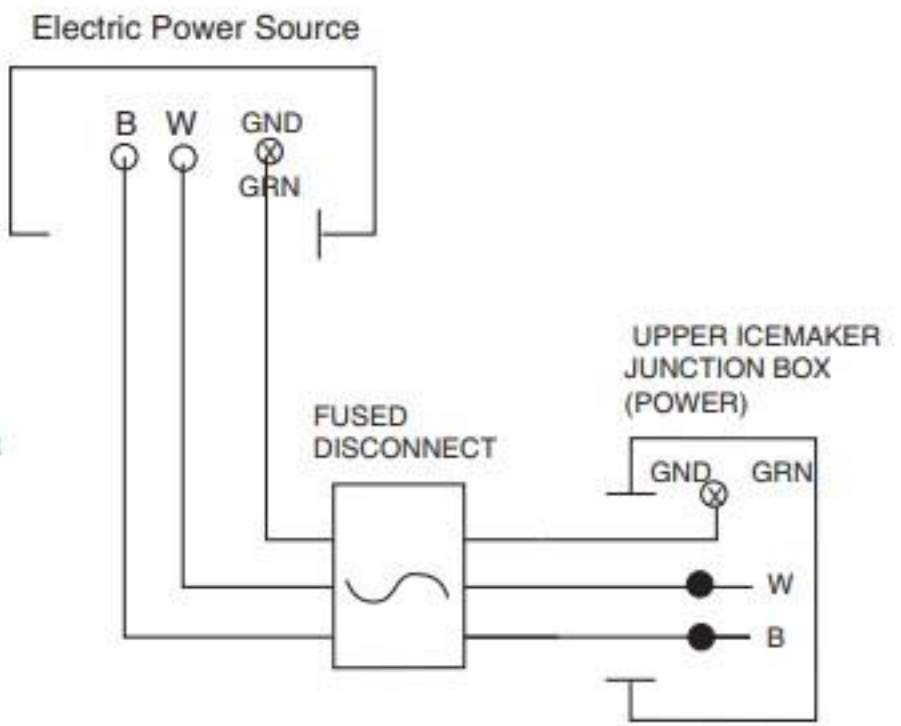
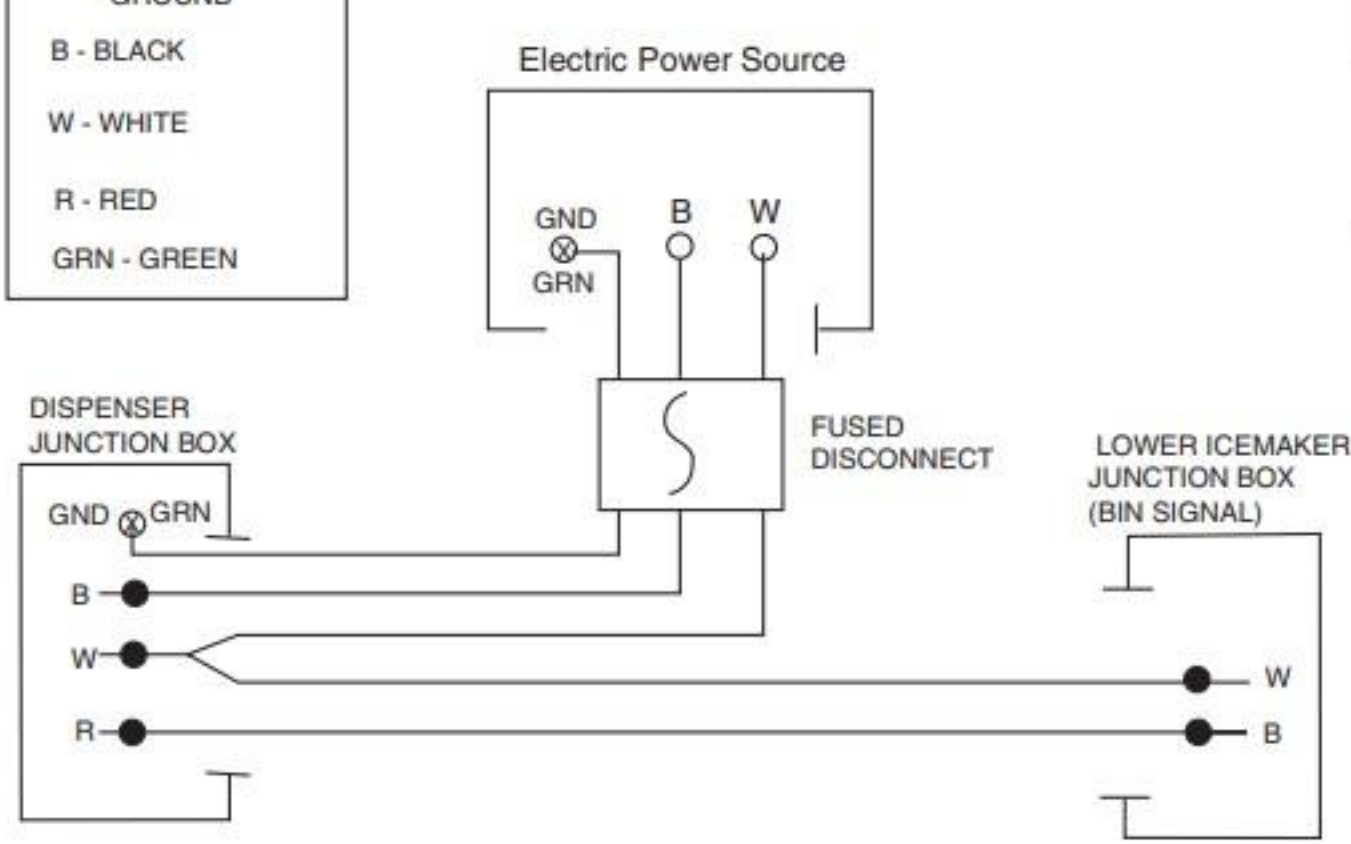
IMPORTANT

FIELD WIRING DIAGRAM IS INTENDED TO AID ELECTRICIAN OR TECHNICIAN IN UNDERSTANDING HOW EQUIPMENT WORKS. ALL FIELD WIRING MUST BE INSTALLED IN ACCORDANCE WITH NEC AND LOCAL ELECTRICAL CODES.

LEGEND

- WIRENUT
- ⊗ EQUIPMENT GROUND
- B - BLACK
- W - WHITE
- R - RED
- GRN - GREEN

Standard electric - 115V, 60 Hz, 1 Ph,
Max. fuse size per circuit - 20 amps



4x4 JUNCTION BOX
LOCATED BEHIND SPLASH PANEL

