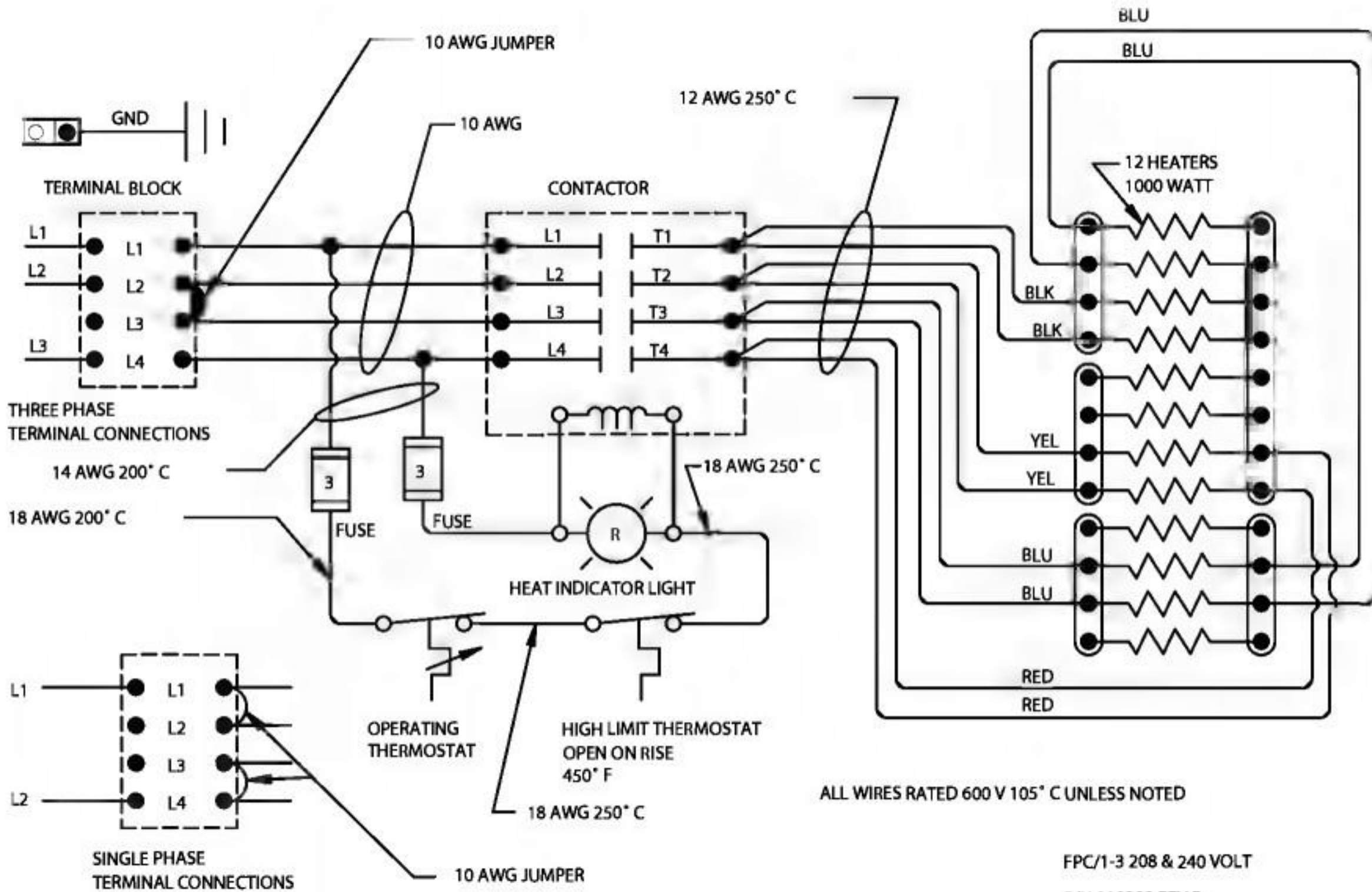
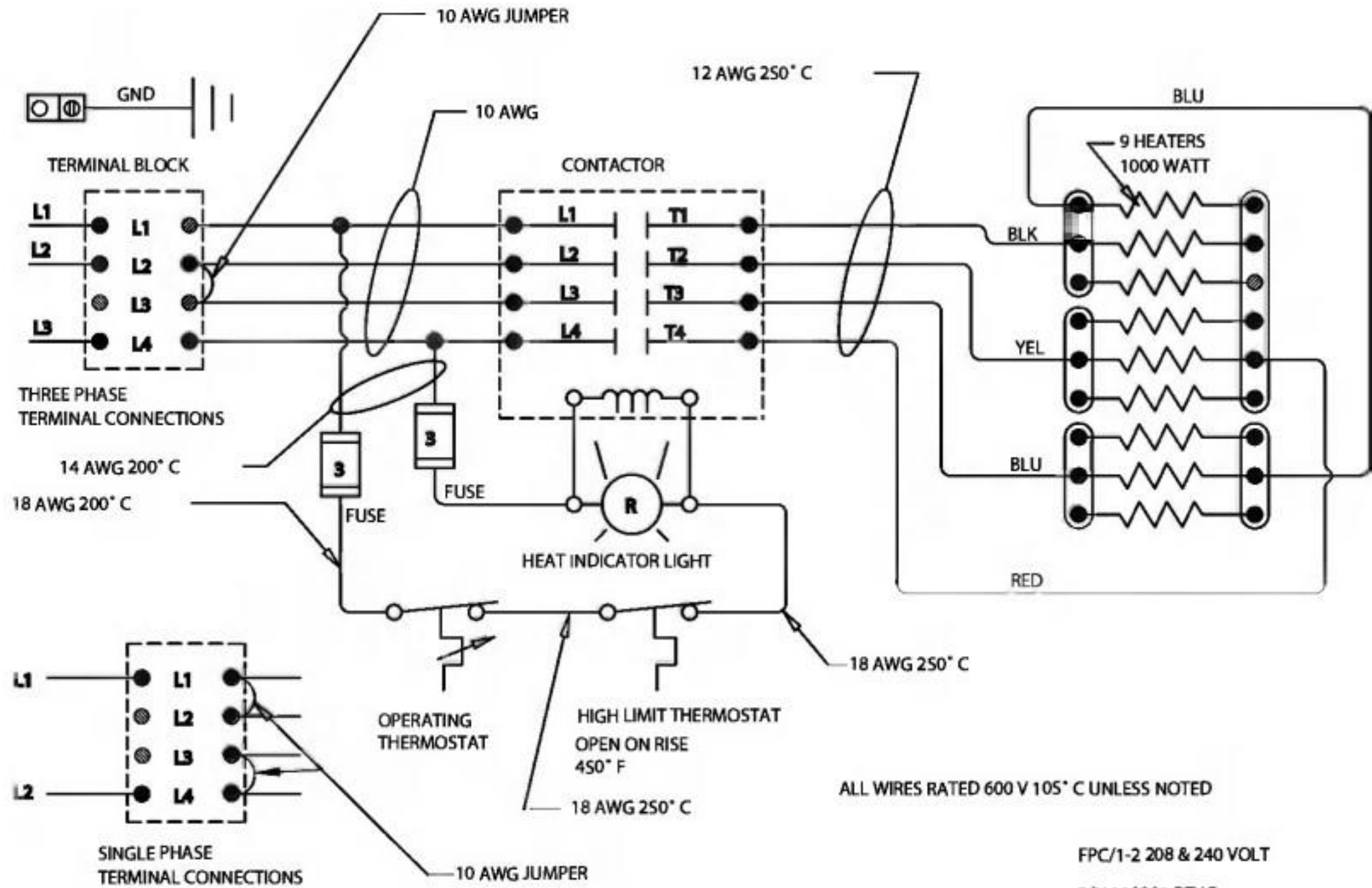


FPC/1-3 380/415 VOLT
 P/N 118208 REV B





ALL WIRES RATED 600 V 105° C UNLESS NOTED

FPC/1-2 208 & 240 VOLT

P/N 118201 REV B