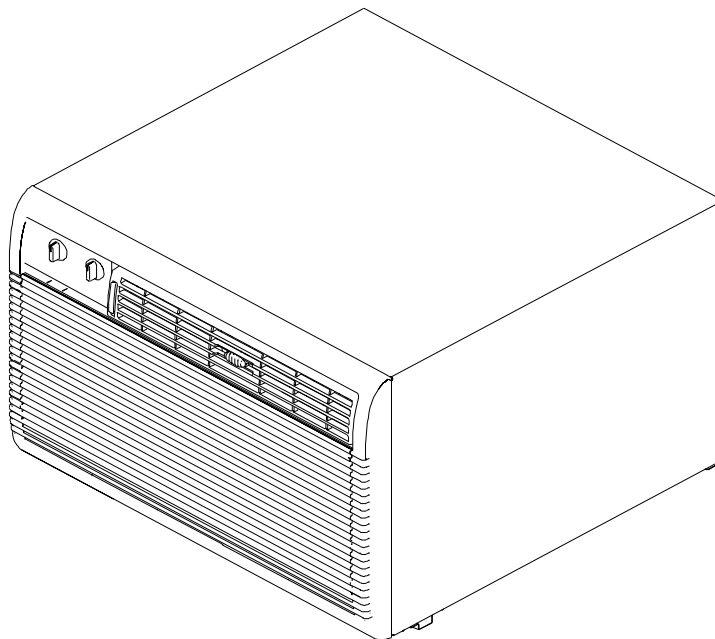


FACTORY PARTS CATALOG ROOM AIR CONDITIONER

Frigidaire



| PRODUCT NO. | BASE MODEL NO. | COLOR | MARKET |
|--------------------|----------------|-------|--------|
| FAC051K7A1 | FAC051K7A | white | USA |
| FAC051K7A2 | FAC051K7A | white | USA |
| BTU-COOLING | | | |
| 5000BTU | | | |

WIRING DIAGRAM - # 309107201
OWNER'S GUIDE - # 309000825

 **Electrolux**

ELECTROLUX HOME PRODUCTS NORTH AMERICA
P.O. BOX 212378, AUGUSTA, GA 30917

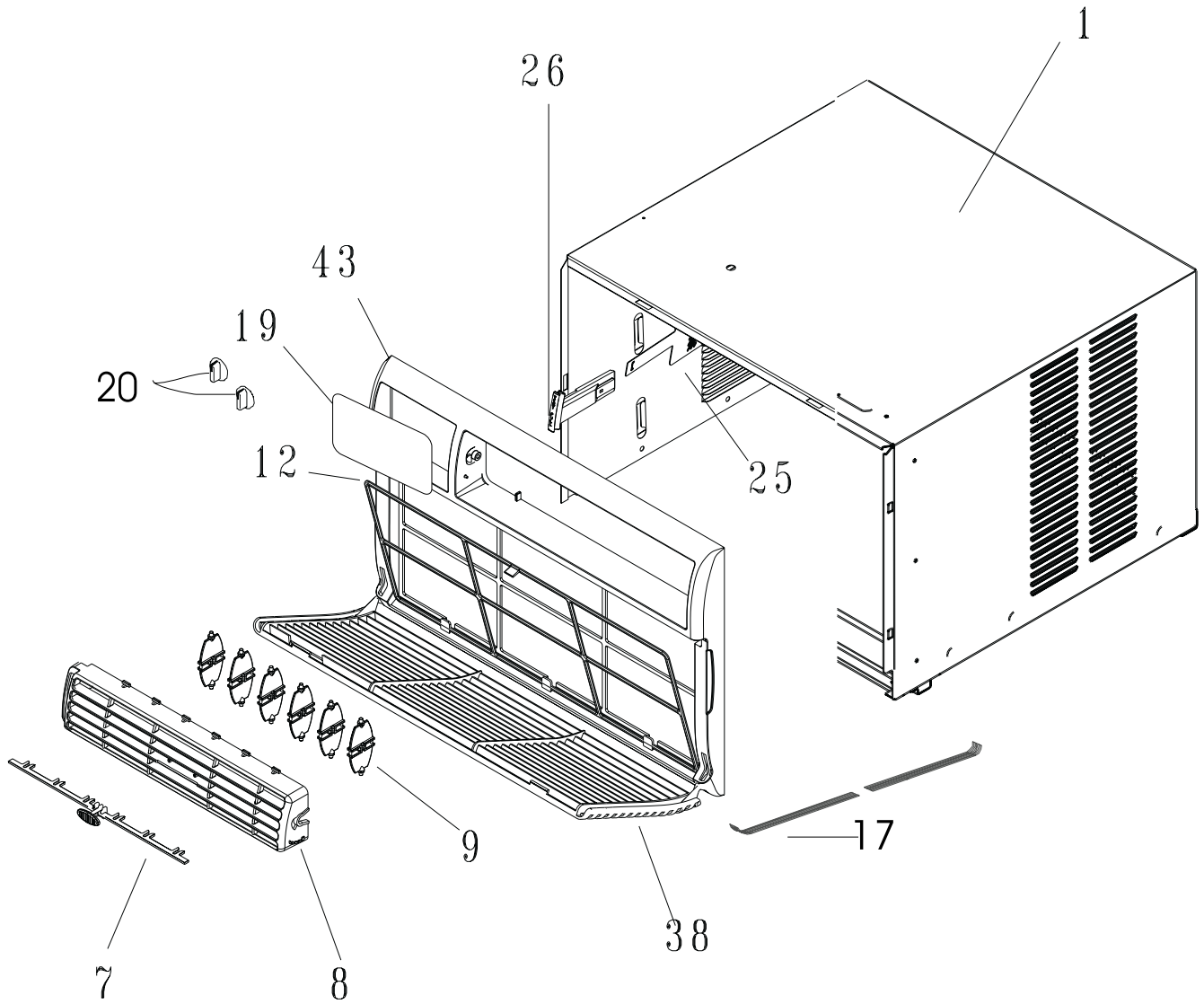
Publication No.
5995348025
010103
-EN/SERVICE /DJH
345

ROOM AIR CONDITIONER

Model No.
FAC051K7A

©2001 White Consolidated Industries, Inc.
All rights reserved

CABINET FRONT AND WRAPPER



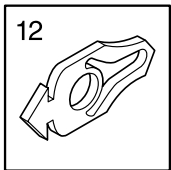
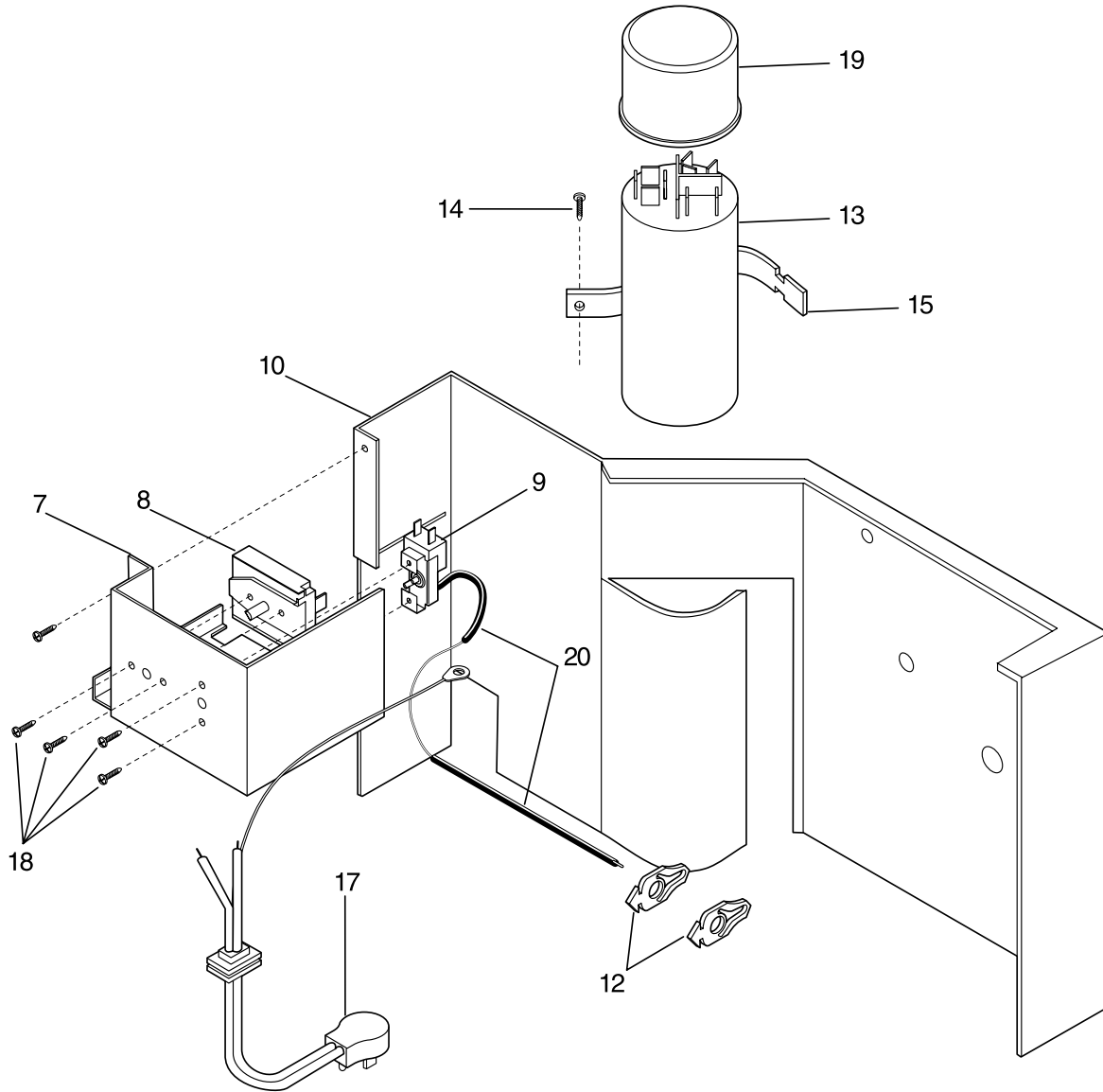
P40V2004

CABINET FRONT AND WRAPPER

| |
|----------------------------|
| A = FAC051K7A (FAC051K7A1) |
| B = FAC051K7A (FAC051K7A2) |

| POS. NO | PART NO | | DESCRIPTION |
|---------|------------|-----|--|
| 1 | 5304407729 | A B | Seal-window frame,stuffer |
| 2 | 5303211056 | A B | Bracket |
| 4 | 5304414120 | A B | Extension-frame,LH ,w/accordion |
| 5 | 08016226 | A B | Seal-top rail |
| 14 | 5304414121 | A B | Extension-frame,RH ,with accordion |
| 16 | 5304417362 | A B | Rail-top |
| 17 | 3002803 | A B | Screw,wood, type 17 ,10-12 x 0.750 |
| 18 | 5303303691 | A B | Screw,truss head ,8-18AB x 0.375 ,w/nibs |
| 20 | 5303295750 | A B | Screw,pan head ,8-18 x 0.750 |
| 22 | 5304403252 | A B | Retainer,bottom |
| 23 | 3001806 | A B | Screw,23(T) ,10-32 x 0.310 |
| 24 | 5308002974 | A B | Screw,wood,type 17 ,8-15 x 0.500 |

CONTROLS



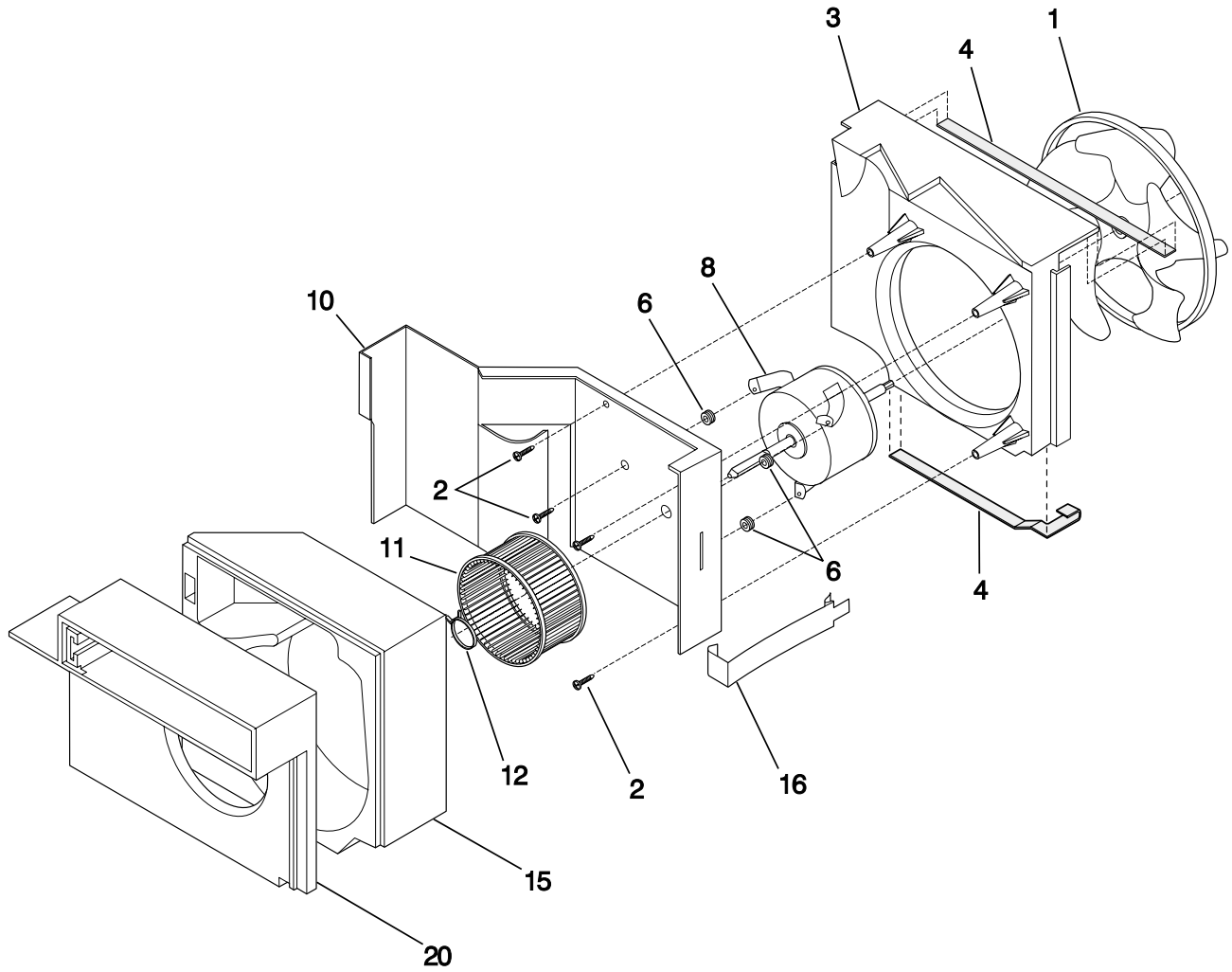
P40F0006

CONTROLS

| |
|--|
| A = FAC051K7A (FAC051K7A1) B = FAC051K7A (FAC051K7A2) |
|--|

| POS. NO | PART NO | | DESCRIPTION |
|---------|------------|-----|---|
| 1 | 5304413783 | A B | Cabinet |
| 8 | 309639301 | A B | Louver, horizontal |
| 12 | 309343501 | A B | Filter-air, 7.12 x 17.31 ,no frame |
| 17 | 309640101 | A B | Front-cabinet, 2 way ,complete assy |
| 18 | 5303303691 | A B | Screw, truss head ,8-18AB x 0.375 ,w/nibs |
| 19 | 309342901 | A B | Dial Plate |
| 20 | 309306811 | A B | Knob-control, rotary |
| 22 | 5303001775 | A B | Spacer, plate |
| 38 | 309639201 | A B | Panel, cabinet front |
| 43 | 309639101 | A B | Frame, cabinet front |

AIR HANDLING PARTS



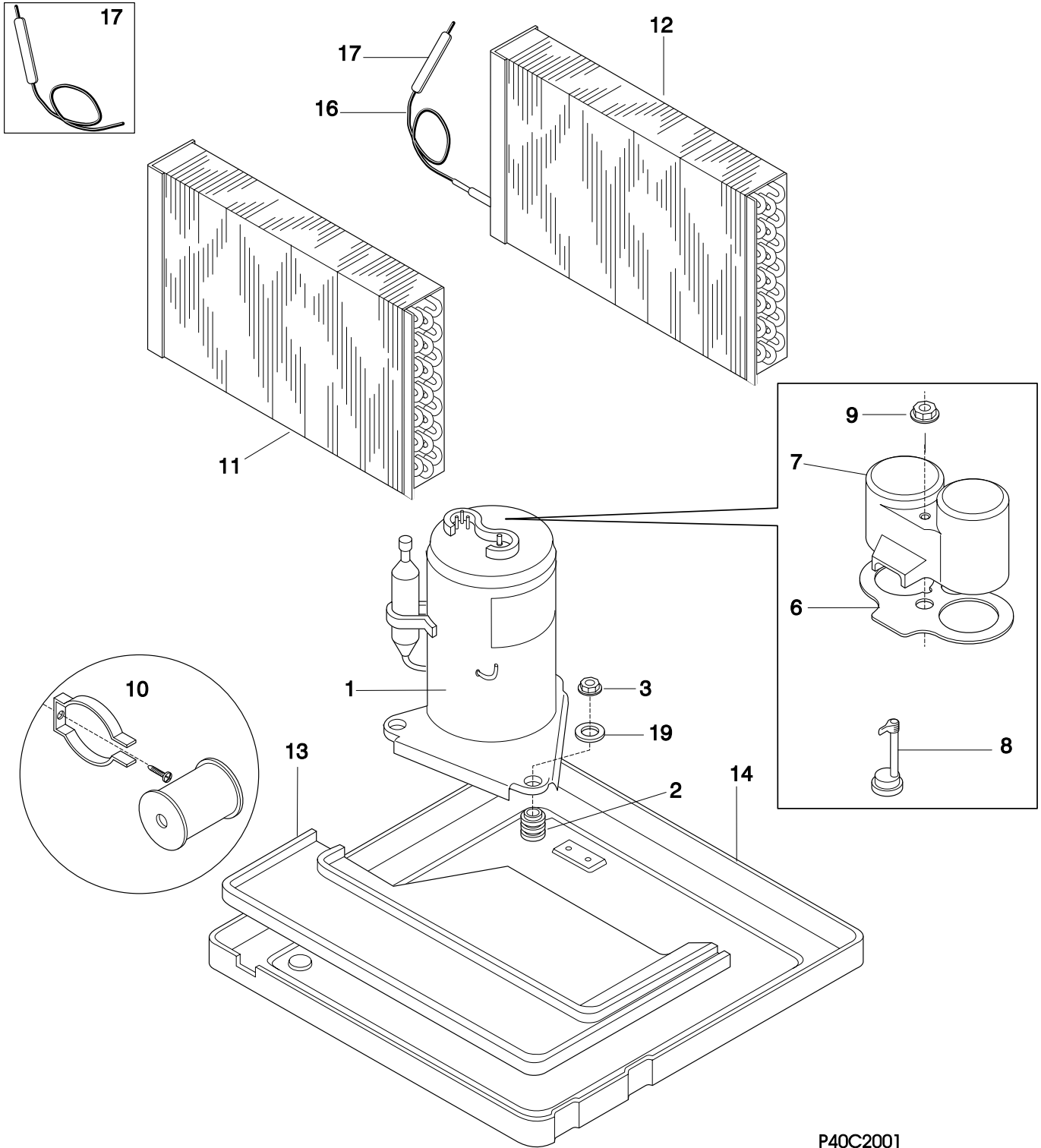
P40M2006

AIR HANDLING PARTS

| |
|----------------------------|
| A = FAC051K7A (FAC051K7A1) |
| B = FAC051K7A (FAC051K7A2) |

| POS. NO | PART NO | | DESCRIPTION |
|---------|------------|-----|-----------------------------------|
| 7 | 309350302 | A B | Control Box |
| 8 # | 5303318550 | A B | Switch-selector |
| 10 | 309602404 | A B | Bulkhead |
| 10* | 309111201 | A B | Grommet,wire protector |
| 13 # | 5303303125 | A - | Capacitor,370 V ,35+5 microfarad |
| 13 # | 5304413779 | - B | Capacitor |
| 15 | 5303303086 | A B | Strap-capacitor |
| 17 # | 309343101 | A B | Cord-electric power,18 AWG ,115 V |
| 18 | 5303007754 | A B | Screw,6-32 x 0.188 |
| 19 | 5303302855 | A B | Cover,capacitor |

COMPRESSOR PARTS



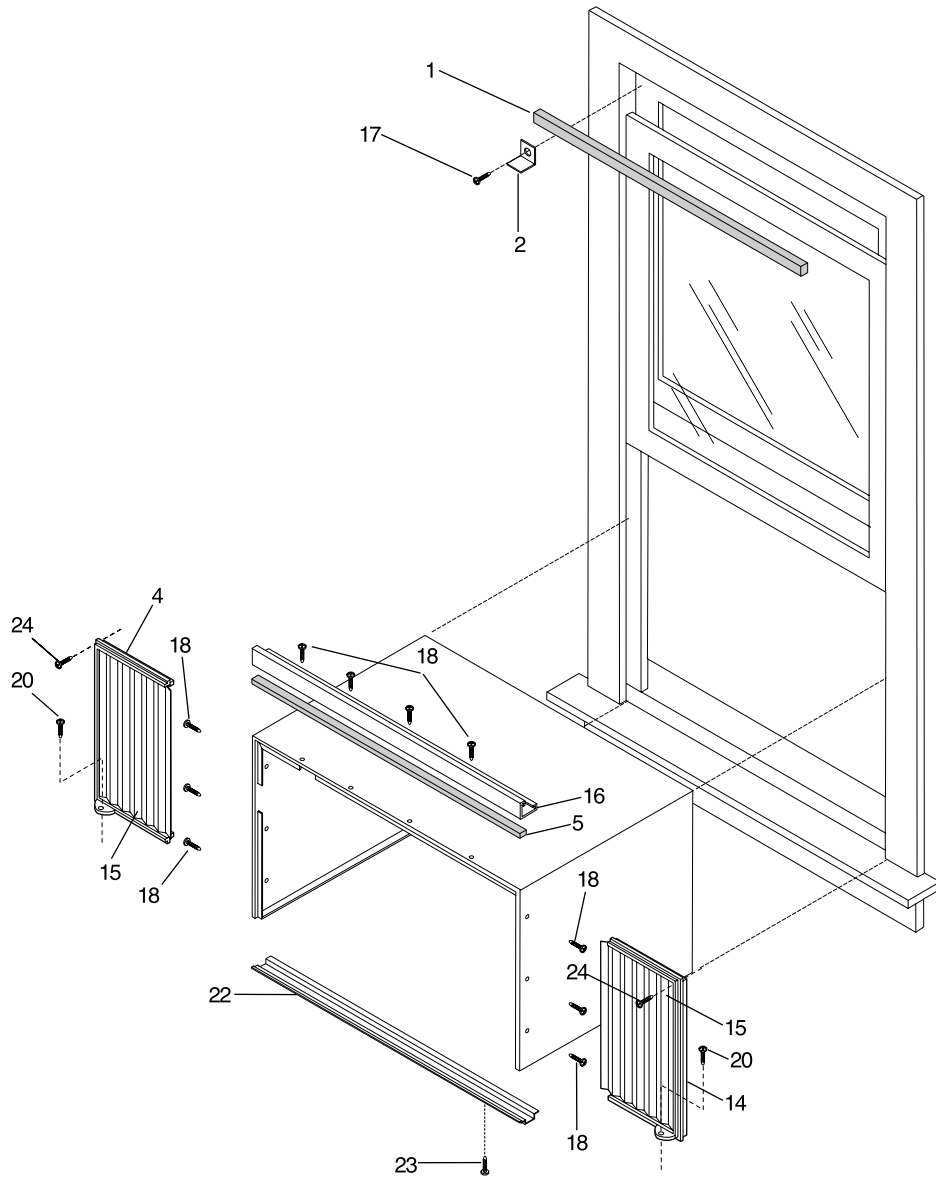
P40C2001

COMPRESSOR PARTS

| |
|----------------------------|
| A = FAC051K7A (FAC051K7A1) |
| B = FAC051K7A (FAC051K7A2) |

| POS. NO | PART NO | | DESCRIPTION |
|---------|------------|-----|----------------------------------|
| 1 # | 309624502 | A - | Fan Blade,with clamp |
| 1 # | 309624506 | - B | Fan Blade,with clamp |
| 2 | 3202975 | A B | Screw,10-16 x 0.72 ,square drive |
| 3 | 309624201 | A B | Housing-fan |
| 4 | 5303270043 | A B | Seal,condenser |
| 6 | 5300105402 | A - | Grommet,motor ,(3) |
| 6 | 08007481 | - B | Nut,keps ,motor mtg |
| 8 # | 309627302 | A - | Motor-fan,3 speed |
| 8 # | 309642701 | - B | Motor-fan |
| 10 | 309602403 | A B | Bulkhead |
| 11 # | 309603301 | A - | Blower Wheel |
| 11 # | 309631702 | - B | Blower Wheel |
| 12 | 5303012110 | A - | Clamp-blower |
| 12 | 309112101 | A - | Clamp-blower |
| 12 | 327161302 | - B | Clamp-blower |
| 15 | 5304407653 | A B | Housing-blower |
| 16 | 309100201 | A B | Clip |
| 20 | 5303303573 | A B | Plate-blower housing |

WINDOW MOUNTING PARTS



P40A1001

WINDOW MOUNTING PARTS

| |
|----------------------------|
| A = FAC051K7A (FAC051K7A1) |
| B = FAC051K7A (FAC051K7A2) |

| POS. NO | PART NO | | DESCRIPTION |
|---------|------------|-----|--|
| 1 # | 5304417319 | A B | Compressor |
| 2 | 5303283877 | A B | Grommet,compressor mtg ,(3) |
| 3 | 5308006948 | A B | Nut,compressor mtg ,(3) |
| 6 | 5303291330 | A B | Gasket,terminal cover |
| 7 | 5304416126 | A B | Cover-terminal,compressor |
| 7* | 5303293809 | A B | Washer |
| 8 # | 5304417320 | A B | Overload Protector |
| 9 | 5303294292 | A B | Nut-terminal cover |
| 10 # | 5303317601 | A B | Start Assist Kit,compressor |
| 11 # | 309637401 | A B | Evaporator |
| 12 # | 5303307226 | A B | Condenser |
| 13 | 5303302849 | A B | Tray-evaporator |
| 14 | 5304413780 | A B | Base-compressor |
| 16 # | 5308017120 | A B | Capillary Tube,45 inch long ,cut to length |
| 17 | 5304413857 | A B | Tube-process |
| 19 | 309112501 | A B | Washer,metallic |
| 19* | 5303002664 | A B | Washer,compressor mtg |