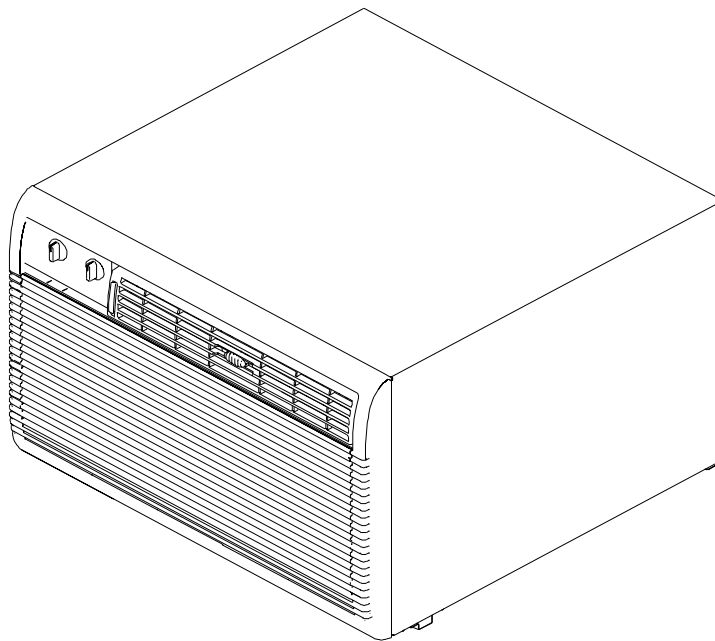


FACTORY PARTS CATALOG ROOM AIR CONDITIONER

Frigidaire



PRODUCT NO.	BASE MODEL NO.	COLOR	MARKET
FAC051K7A1	FAC051K7A	white	USA
FAC051K7A2	FAC051K7A	white	USA
BTU-COOLING			
5000BTU			

WIRING DIAGRAM - # 309107201
OWNER'S GUIDE - # 309000825

 **Electrolux**

ELECTROLUX HOME PRODUCTS NORTH AMERICA
P.O. BOX 212378, AUGUSTA, GA 30917

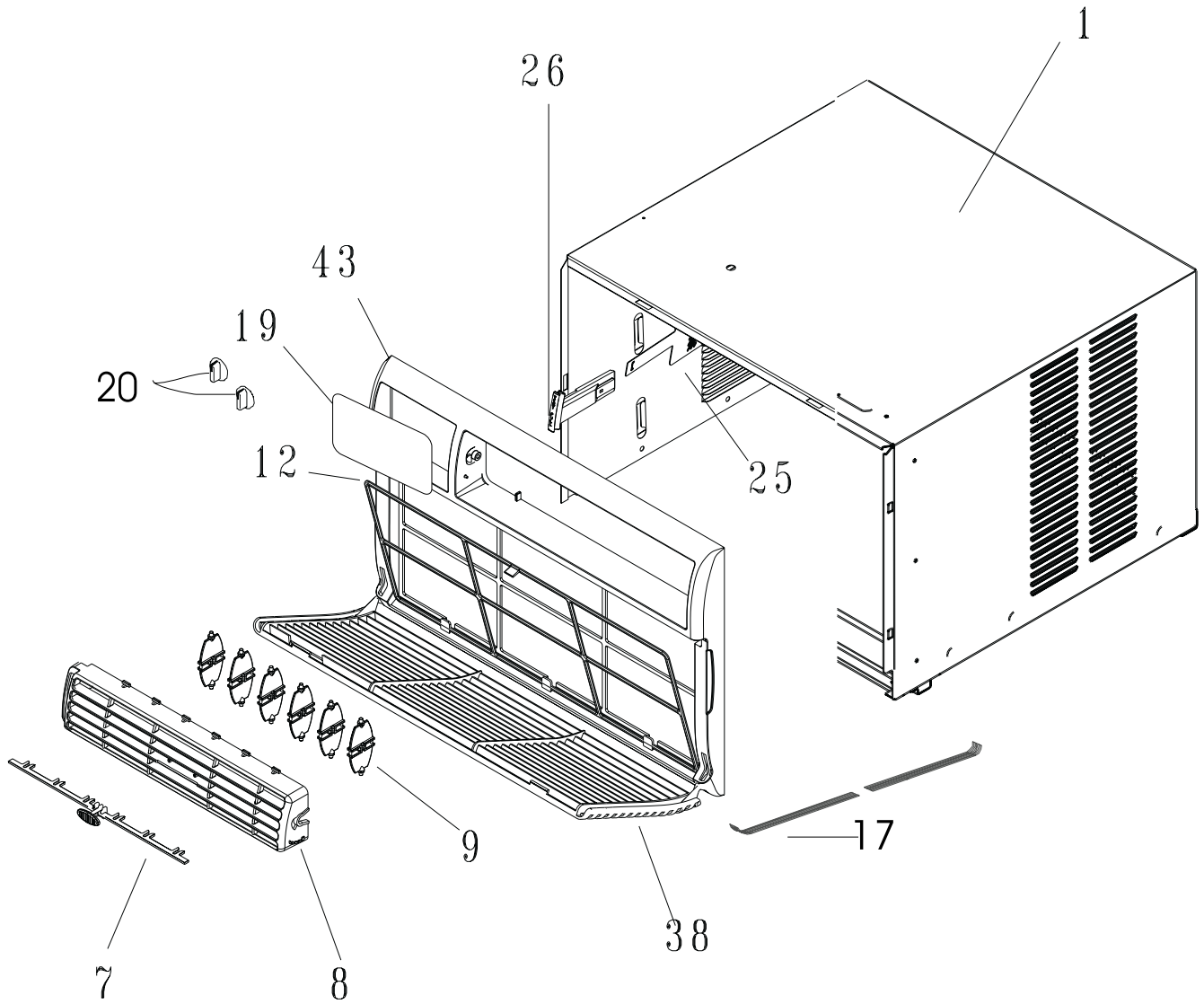
Publication No.
5995348025
010103
-EN/SERVICE /DJH
345

ROOM AIR CONDITIONER

Model No.
FAC051K7A

©2001 White Consolidated Industries, Inc.
All rights reserved

CABINET FRONT AND WRAPPER



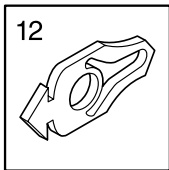
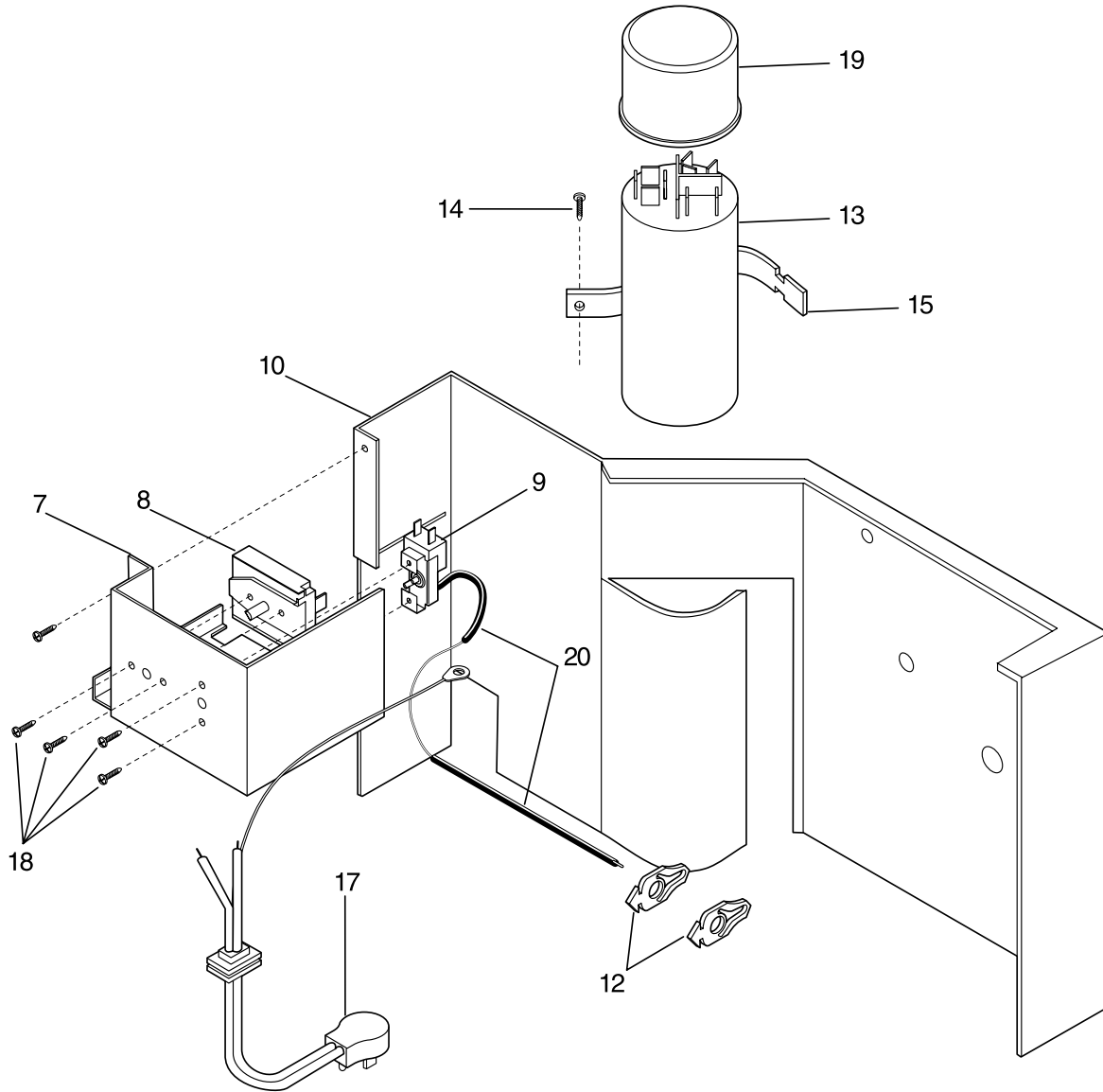
P40V2004

CABINET FRONT AND WRAPPER

A = FAC051K7A (FAC051K7A1)
B = FAC051K7A (FAC051K7A2)

POS. NO	PART NO		DESCRIPTION
1	5304407729	A B	Seal-window frame,stuffer
2	5303211056	A B	Bracket
4	5304414120	A B	Extension-frame,LH ,w/accordion
5	08016226	A B	Seal-top rail
14	5304414121	A B	Extension-frame,RH ,with accordion
16	5304417362	A B	Rail-top
17	3002803	A B	Screw,wood, type 17 ,10-12 x 0.750
18	5303303691	A B	Screw,truss head ,8-18AB x 0.375 ,w/nibs
20	5303295750	A B	Screw,pan head ,8-18 x 0.750
22	5304403252	A B	Retainer,bottom
23	3001806	A B	Screw,23(T) ,10-32 x 0.310
24	5308002974	A B	Screw,wood,type 17 ,8-15 x 0.500

CONTROLS



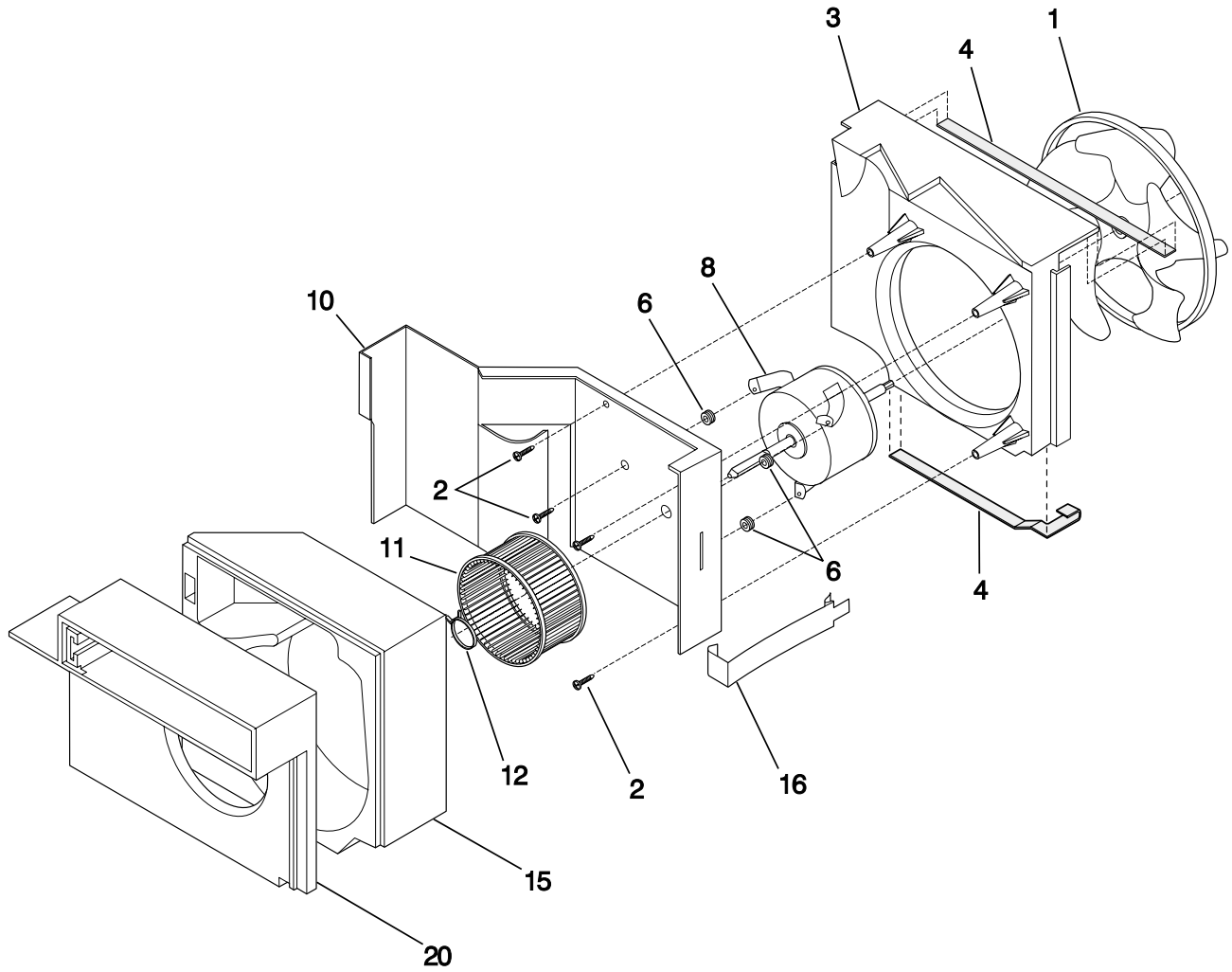
P40F0006

CONTROLS

A = FAC051K7A (FAC051K7A1) B = FAC051K7A (FAC051K7A2)
--

POS. NO	PART NO		DESCRIPTION
1	5304413783	A B	Cabinet
8	309639301	A B	Louver, horizontal
12	309343501	A B	Filter-air, 7.12 x 17.31 ,no frame
17	309640101	A B	Front-cabinet, 2 way ,complete assy
18	5303303691	A B	Screw, truss head ,8-18AB x 0.375 ,w/nibs
19	309342901	A B	Dial Plate
20	309306811	A B	Knob-control, rotary
22	5303001775	A B	Spacer, plate
38	309639201	A B	Panel, cabinet front
43	309639101	A B	Frame, cabinet front

AIR HANDLING PARTS



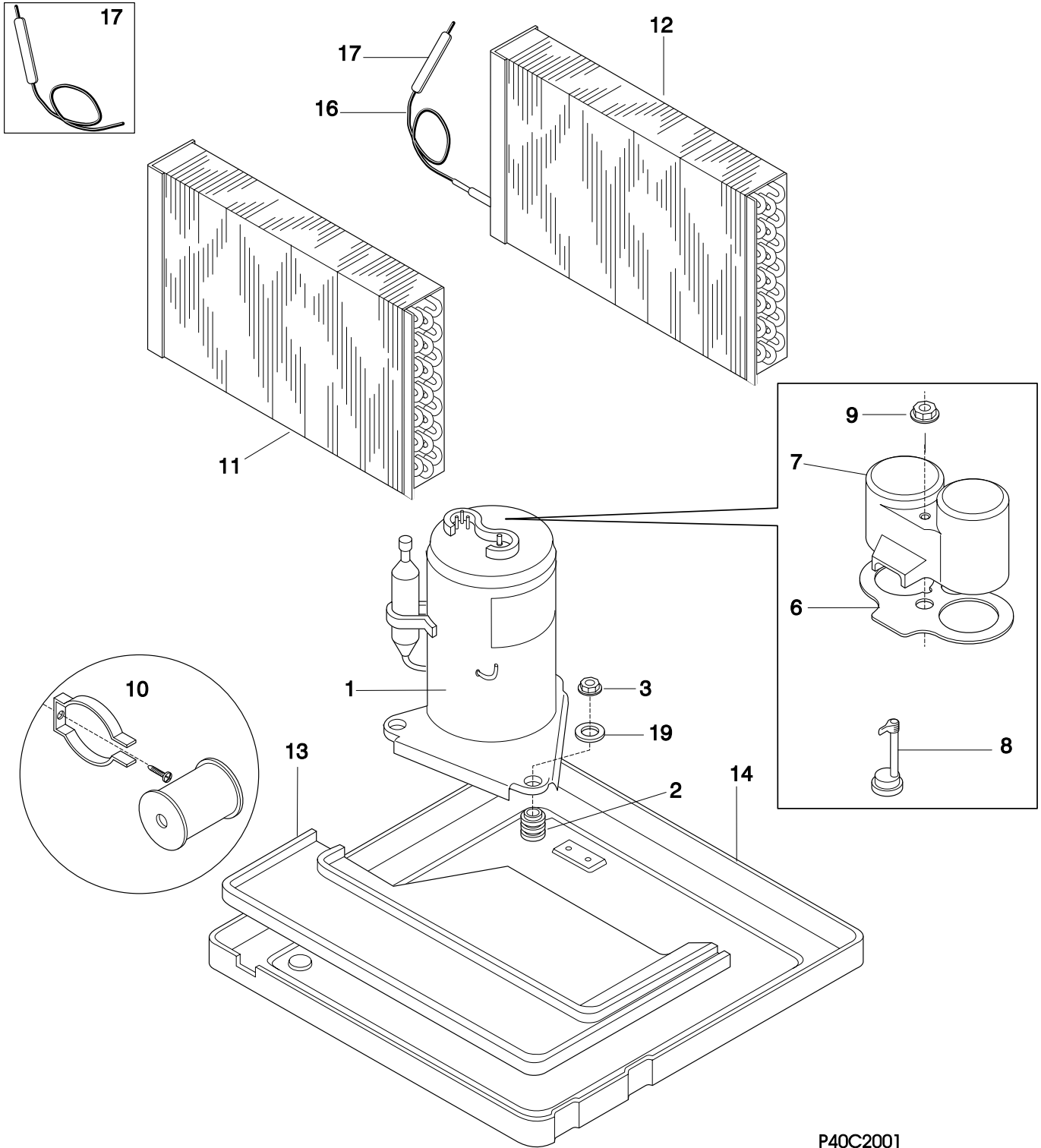
P40M2006

AIR HANDLING PARTS

A = FAC051K7A (FAC051K7A1)
B = FAC051K7A (FAC051K7A2)

POS. NO	PART NO		DESCRIPTION
7	309350302	A B	Control Box
8 #	5303318550	A B	Switch-selector
10	309602404	A B	Bulkhead
10*	309111201	A B	Grommet,wire protector
13 #	5303303125	A -	Capacitor,370 V ,35+5 microfarad
13 #	5304413779	- B	Capacitor
15	5303303086	A B	Strap-capacitor
17 #	309343101	A B	Cord-electric power,18 AWG ,115 V
18	5303007754	A B	Screw,6-32 x 0.188
19	5303302855	A B	Cover,capacitor

COMPRESSOR PARTS



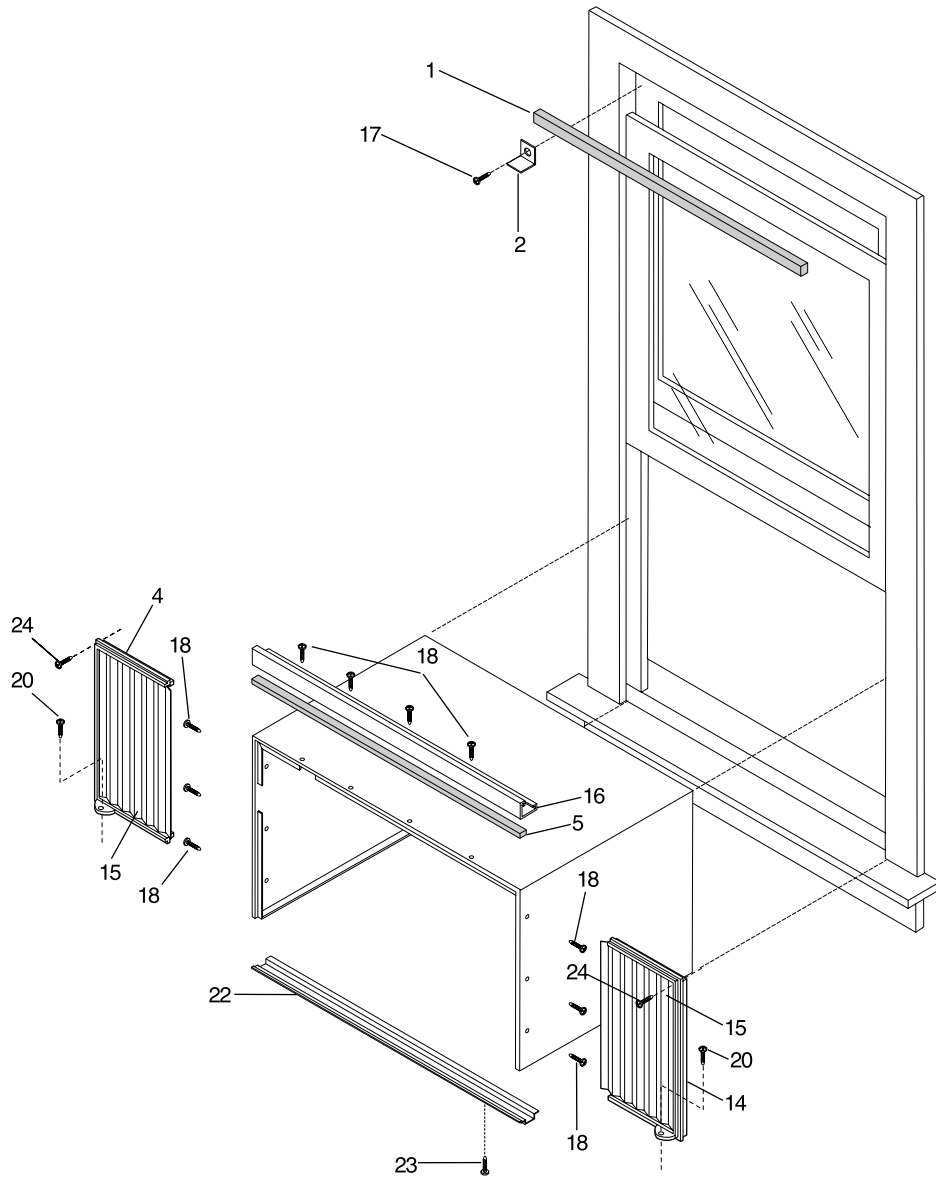
P40C2001

COMPRESSOR PARTS

A = FAC051K7A (FAC051K7A1)
B = FAC051K7A (FAC051K7A2)

POS. NO	PART NO		DESCRIPTION
1 #	309624502	A -	Fan Blade,with clamp
1 #	309624506	- B	Fan Blade,with clamp
2	3202975	A B	Screw,10-16 x 0.72 ,square drive
3	309624201	A B	Housing-fan
4	5303270043	A B	Seal,condenser
6	5300105402	A -	Grommet,motor ,(3)
6	08007481	- B	Nut,keps ,motor mtg
8 #	309627302	A -	Motor-fan,3 speed
8 #	309642701	- B	Motor-fan
10	309602403	A B	Bulkhead
11 #	309603301	A -	Blower Wheel
11 #	309631702	- B	Blower Wheel
12	5303012110	A -	Clamp-blower
12	309112101	A -	Clamp-blower
12	327161302	- B	Clamp-blower
15	5304407653	A B	Housing-blower
16	309100201	A B	Clip
20	5303303573	A B	Plate-blower housing

WINDOW MOUNTING PARTS



P40A1001

WINDOW MOUNTING PARTS

A = FAC051K7A (FAC051K7A1)
B = FAC051K7A (FAC051K7A2)

POS. NO	PART NO		DESCRIPTION
1 #	5304417319	A B	Compressor
2	5303283877	A B	Grommet,compressor mtg ,(3)
3	5308006948	A B	Nut,compressor mtg ,(3)
6	5303291330	A B	Gasket,terminal cover
7	5304416126	A B	Cover-terminal,compressor
7*	5303293809	A B	Washer
8 #	5304417320	A B	Overload Protector
9	5303294292	A B	Nut-terminal cover
10 #	5303317601	A B	Start Assist Kit,compressor
11 #	309637401	A B	Evaporator
12 #	5303307226	A B	Condenser
13	5303302849	A B	Tray-evaporator
14	5304413780	A B	Base-compressor
16 #	5308017120	A B	Capillary Tube,45 inch long ,cut to length
17	5304413857	A B	Tube-process
19	309112501	A B	Washer,metallic
19*	5303002664	A B	Washer,compressor mtg