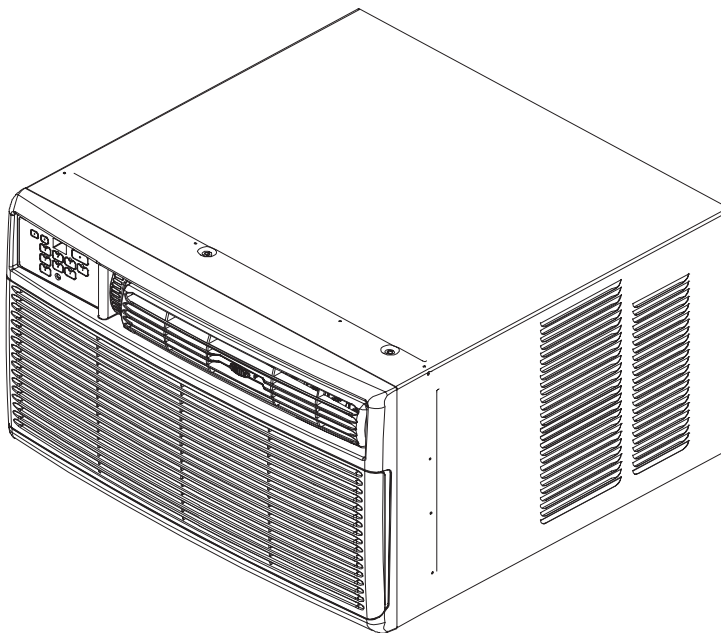


# FACTORY PARTS CATALOG ROOM AIR CONDITIONER

*Frigidaire*



PRODUCT NO.	BASE MODEL NO.	SERIES	VOLTS	BTU-COOLING
FAC052K7A10	FAC052K7A	Compact	115	5000 BTU
<b>MARKET</b>				
USA				

WIRING DIAGRAM - # 309107301  
OWNER'S GUIDE - # 309000823  
ENERGY GUIDE - # 309369912

**Electrolux**

ELECTROLUX HOME PRODUCTS, INC  
P.O. BOX 212378, AUGUSTA, GA 30917

**ROOM AIR CONDITIONER**

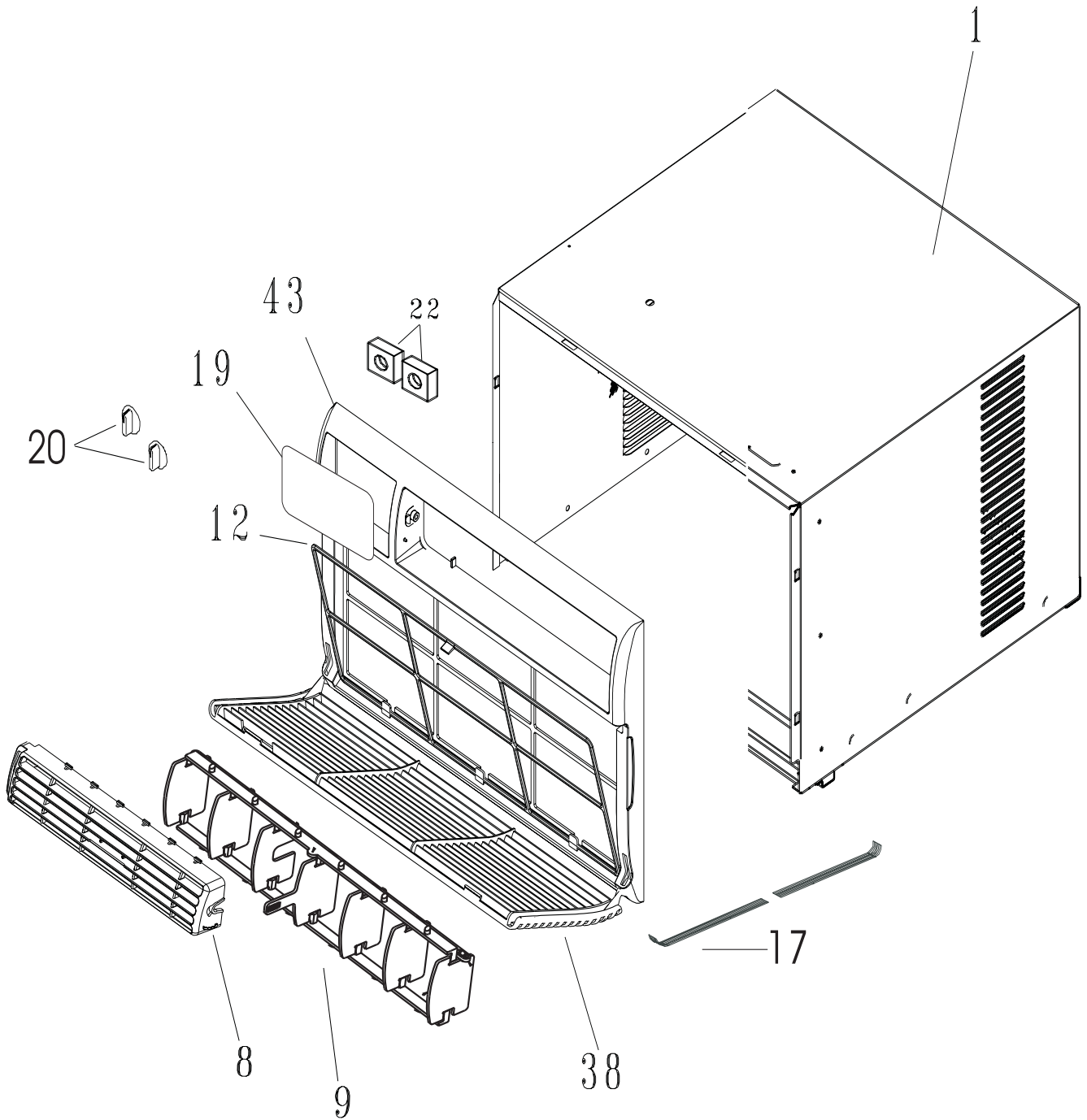
**Model No.**

**FAC052K7A**

Publication No.  
5995374435  
020617  
-EN/SERVICE /KC  
345

©2002 Electrolux Home Products, Inc.  
All rights reserved

CABINET FRONT AND WRAPPER

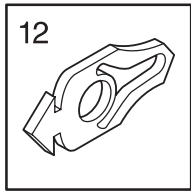
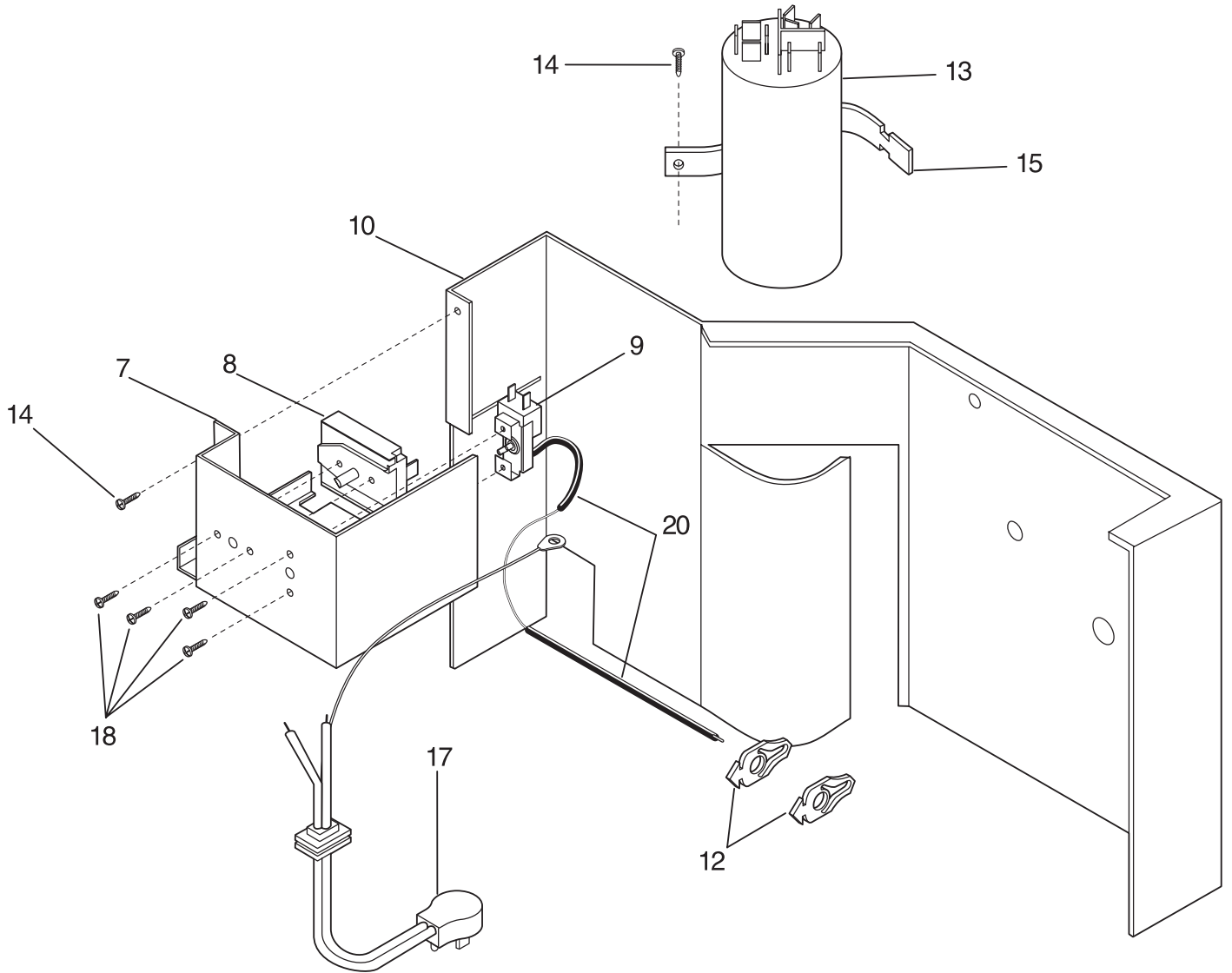


P40V2033

## CABINET FRONT AND WRAPPER

POS. NO	PART NO	DESCRIPTION
1	309643602	Cabinet,wrapper
*	5303303691	Screw,truss head ,8-18AB x 0.375 ,w/nibs
8	309640204	Louver Assy,Includes 8 & 9
8	309639302	* Louver,horizontal
9	309647201	* Louver,vertical ,with link
12	309343501	Filter,air ,7.12 x 17.31 ,no frame
17	309640104	Front Assembly,cabinet ,w/8,9,12,38,43
*	3015312	Screw,8-18AB x 0.500
19	309342902	Dial Plate
20	309364102	Knob,rotary control
22	5303001775	Spacer,dial plate
38	309646301	Panel,cabinet front
43	309646401	Frame,cabinet front
*	309369912	Energy Guide,FAC052K7A10

CONTROLS

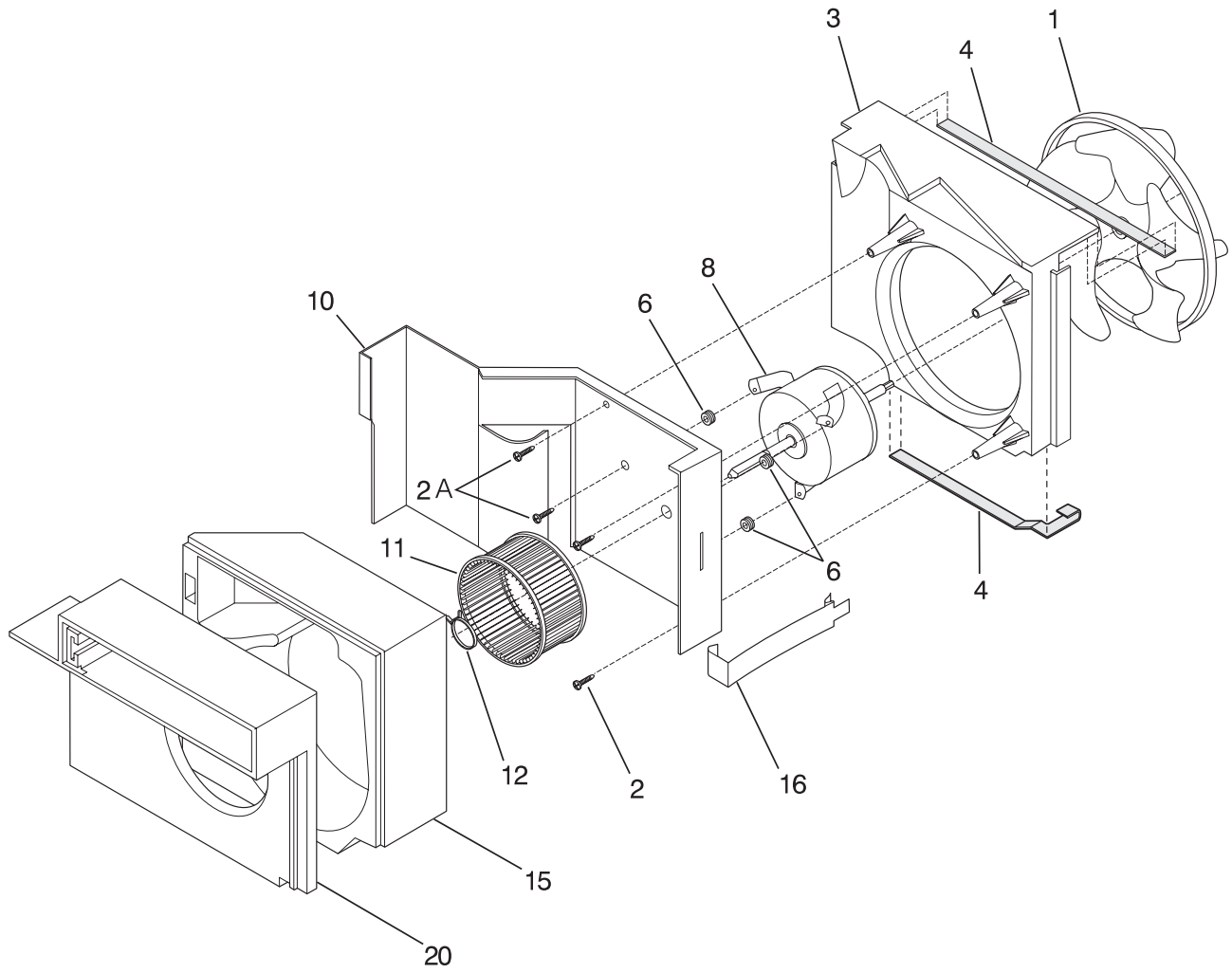


P40F2027

## CONTROLS

POS. NO	PART NO	DESCRIPTION
7	309643802	Control Box
8 #	5304410837	Switch,selector ,5 position,2 sp
9 #	5304402838	Control,temperature
10	309643702	Bulkhead
10*	309111201	Grommet,wire protector
*	5303303691	Screw,truss head ,8-18AB x 0.375 ,w/nibs
12	309101202	Clip,retainer ,temp sensor ,(2)
13 #	5304423280	Capacitor,35+6/250 vac
14	3015312	Screw,8-18AB x 0.500
15	309351901	Strap,capacitor mtg.
17 #	309343101	Cord-electric power,18 AWG ,115 V
*	5303285199	Screw,Ph truss hd ,8-18 x 0.38 ,grounding
18	5303007754	Screw,6-32 x 0.188
20	5304417582	Sleeve,temp sensor ,6 in.

AIR HANDLING PARTS

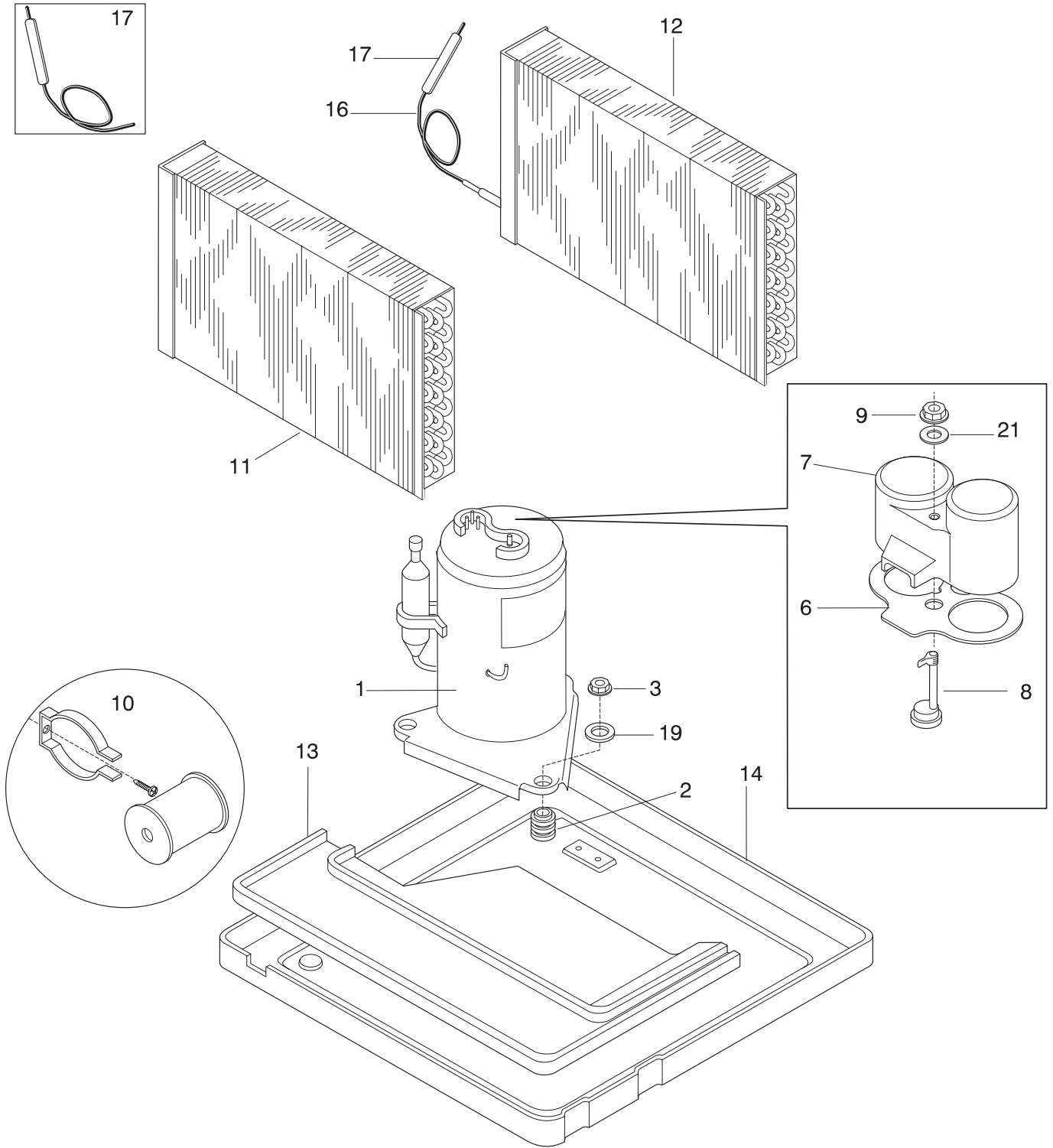


P40M2020

## AIR HANDLING PARTS

POS. NO	PART NO	DESCRIPTION
1 #	309646204	Fan Blade,0.500 in. bore ,w/clamp & screw
2	3202975	Screw,10-16AB x 0.72 ,square drive
2A	5303317224	Screw,indt hex head ,10-16 ,(3)
3	309643901	Housing,fan shroud
4	5304421913	Seal,top
4	5303303759	Seal,bottom
6	5300105402	Grommet,motor ,(3)
8 #	309642405	Motor,fan
*	3015312	Screw,8-18AB x 0.500
10	309643702	Bulkhead
11 #	309643301	Blower Wheel
12	309112101	Clamp,blower wheel mt ,compression
15	309642901	Housing,blower scroll ,Extended
16	309100201	Clip,evap/bulkhead
20	309643003	Plate,scroll cover

COMPRESSOR PARTS

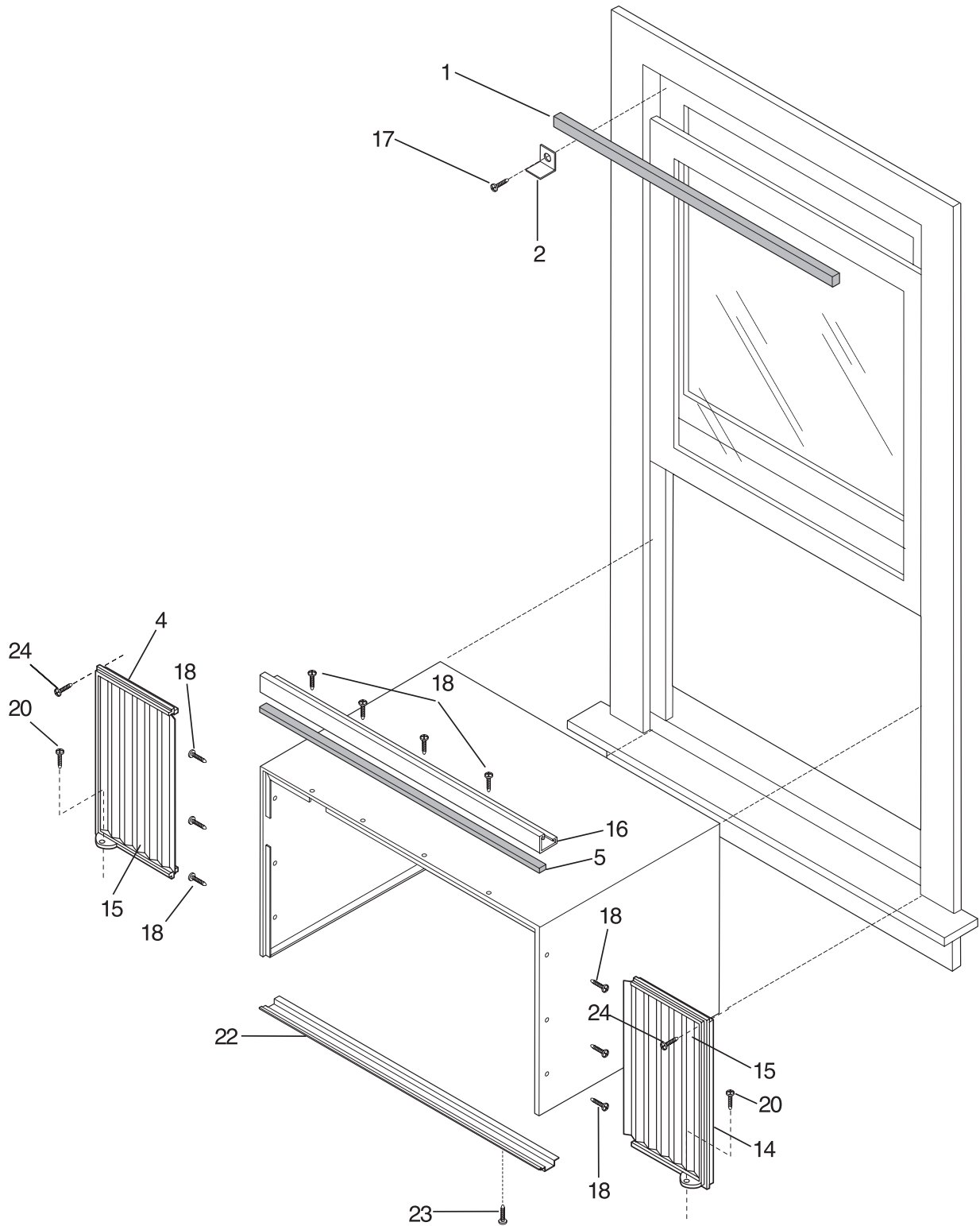


P40C2033

## COMPRESSOR PARTS

POS. NO	PART NO	DESCRIPTION
1	5304426656	Compressor
2	5303283877	Grommet,compressor mtg ,(3)
3	5308006948	Nut,compressor mtg ,(3)
6	5303291330	Gasket,terminal cover
7	5304416126	Cover,elec terminal ,compressor
8 #	5304417320	Overload Protector
9	5303294292	Nut,terminal cover
10 #	5303317601	Start Assist Kit,compressor
11 #	309637403	Evaporator
12 #	309637605	Condenser
13 #	309642801	Tray,evap drip
14	309644001	Base,compressor mt. ,with studs
16 #	5304423363	Capillary Tube,43 inch long ,cut-to-length
17 #	<a href="#">5300265301</a>	Drier-filter,service kit
19*	309112501	Washer,metallic
21	5303293809	Washer,terminal cover

WINDOW MOUNTING PARTS



P40A1001

## WINDOW MOUNTING PARTS

POS. NO	PART NO	DESCRIPTION
1	5304407729	Seal,window stuffer
2	5303211056	Bracket,sash lock
4	309644902	Frame Extension Kit,accordion ,LH & RH ,incl. 4,14,15
4	5304423372	Extension,sliding frame ,LH cab front ,w/closure panel
5	08016226	Seal,top rail/cab
14	5304423373	Extension,sliding frame ,RH cab front ,w/closure panel
15	309645501	Panel,accordion ,RH/LH ,window closure
16	5304417362	Rail,retainer ,top
17	3002803	Screw,wood, type 17 ,10-12 x 0.750
18	5303303691	Screw,truss head ,8-18AB x 0.375 ,w/nibs
20	5304411997	Screw,8-18 x 0.750
22	5304403252	Rail,retainer ,bottom
23	3001806	Screw,23(T) ,10-32 x 0.310
24	5308002974	Screw,wood,type 17 ,8-15 x 0.500

309107301 ①

