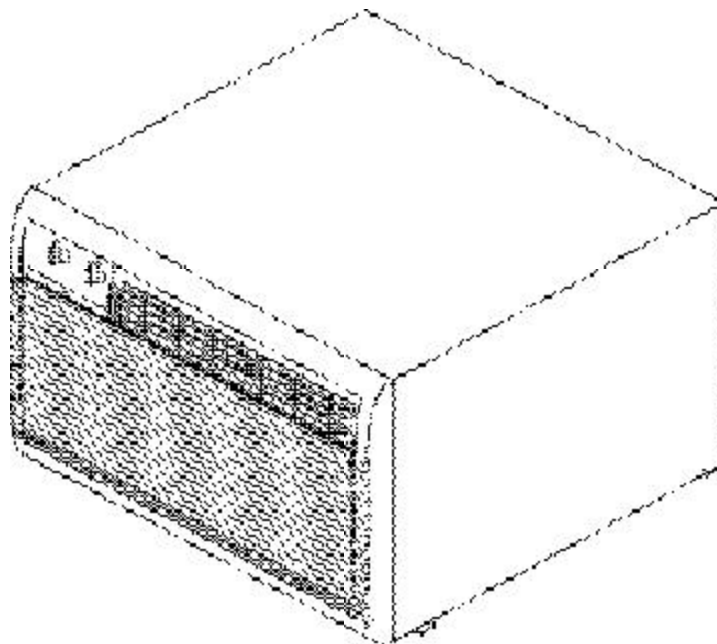


FACTORY PARTS CATALOG ROOM AIR CONDITIONER

Frigidaire



| PRODUCT NO. | BASE MODEL NO. | COLOR | MARKET |
|-------------|----------------|-------|--------|
| FAC052K7A1 | FAC052K7A | white | USA |
| FAC052K7A2 | FAC052K7A | white | USA |
| PRODUCT NO. | BTU-COOLING | | |
| FAC052K7A1 | 5000 | | |

WIRING DIAGRAM - # 309107301
OWNER'S GUIDE - # 309000825

 **Electrolux**

ELECTROLUX HOME PRODUCTS NORTH AMERICA
P.O. BOX 212378, ATLANTA, GA 30317

Publication No.
5995347905
010102
-EN/SERVICE /DJH
345

ROOM AIR CONDITIONER

Model No.
FAC052K7A

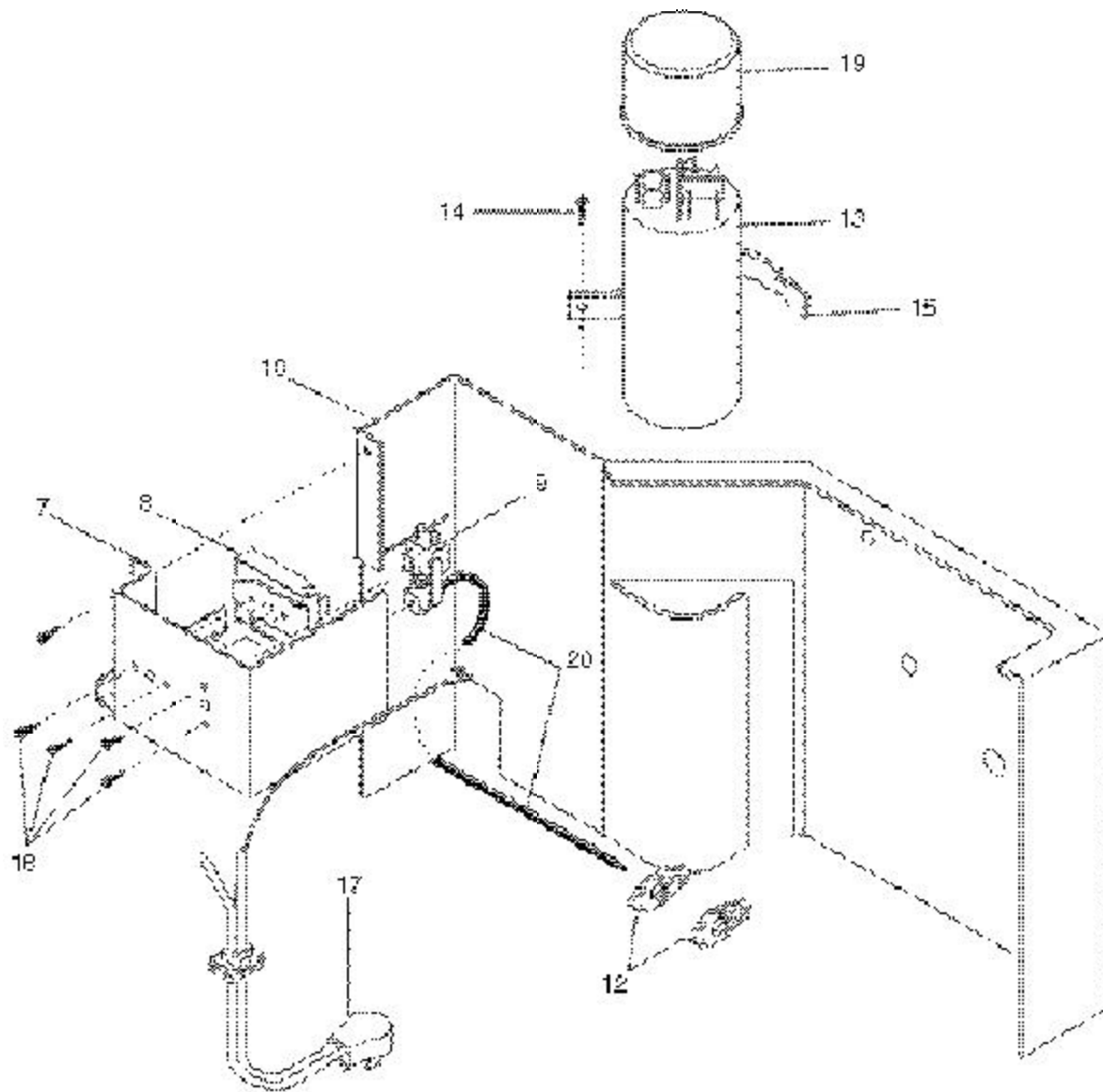
©2001 White Consolidated Industries, Inc.
All rights reserved

CABINET FRONT AND WRAPPER

| |
|----------------------------|
| A = FAC052K7A (FAC052K7A1) |
| B = FAC052K7A (FAC052K7A2) |

| POS. NO | PART NO | | DESCRIPTION |
|---------|------------|-----|-------------------------------------|
| 1 | 5304413783 | A B | Cabinet |
| 7 | 309638001 | A B | Link,vertical louver ,with handle |
| 8 | 309639301 | A B | Louver,horizontal |
| 8* | 309640202 | A B | Louver Assy, horizontal ,Incl-7,8,9 |
| 9 | 309342001 | A B | Louver,vertical ,(6) |
| 12 | 309343501 | A B | Filter-air,7.12 x 17.31 ,no frame |
| 17 | 309640102 | A B | Front-cabinet,4 way ,complete assy |
| 19 | 309342902 | A B | Dial Plate |
| 20 | 309306811 | A B | Knob-control,rotary |
| 22 | 5303001775 | A B | Spacer,plate |
| 38 | 309639201 | A B | Panel,cabinet front |
| 43 | 309639101 | A B | Frame,cabinet front |

CONTROLS



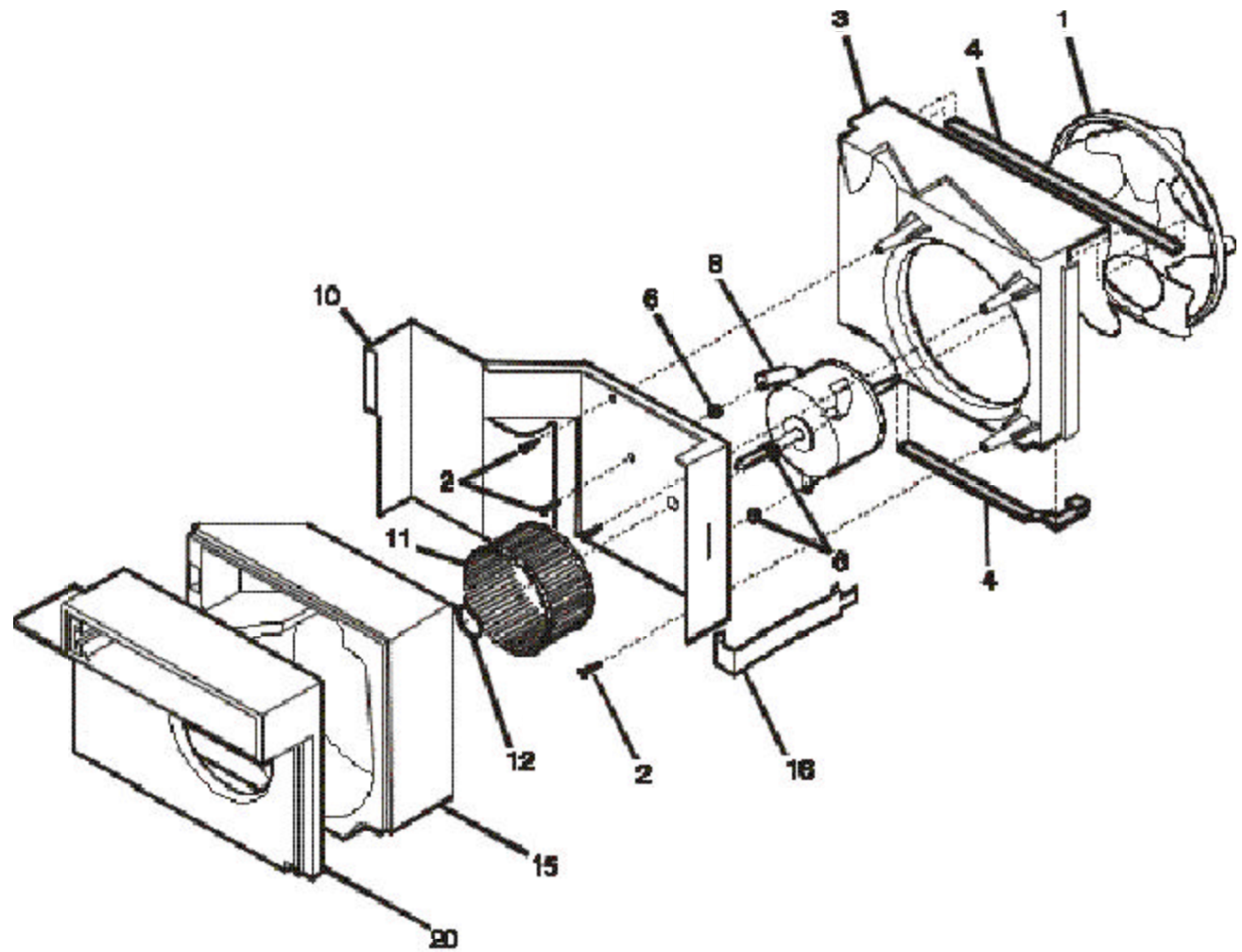
P4CF066E

CONTROLS

| |
|----------------------------|
| A = FAC052K7A (FAC052K7A1) |
| B = FAC052K7A (FAC052K7A2) |

| POS. NO | PART NO | | DESCRIPTION |
|---------|------------|-----|-----------------------------------|
| 7 | 309350302 | A B | Control Box |
| 8 # | 5304410937 | A B | Switch-selector,5 position |
| 9 # | 5304402938 | A B | Control-temperature |
| 10 | 309602404 | A B | Bulkhead |
| 10* | 309111201 | A B | Grammet,wire protector |
| 12 | 309101202 | A B | Clip-control bulb,(2) |
| 13 # | 5303303125 | A - | Capacitor,370 V ,35+5 microfarad |
| 13 # | 5304413779 | - B | Capacitor |
| 14 | 3015312 | A - | Screw,8-18AB x 0.500 |
| 14 | 5303015427 | - B | Screw,truss head ,8-18AB x 0.47 |
| 15 | 5303303086 | A B | Strap-capacitor |
| 17# | 309343101 | A B | Cord-electric power,18 AWG ,115 V |
| 18 | 5303007754 | A B | Screw,6-32 x 0.188 |
| 19 | 5303302955 | A B | Cover,capacitor |
| 20 | 5303002600 | A B | Sleeve,control |

AIR HANDLING PARTS



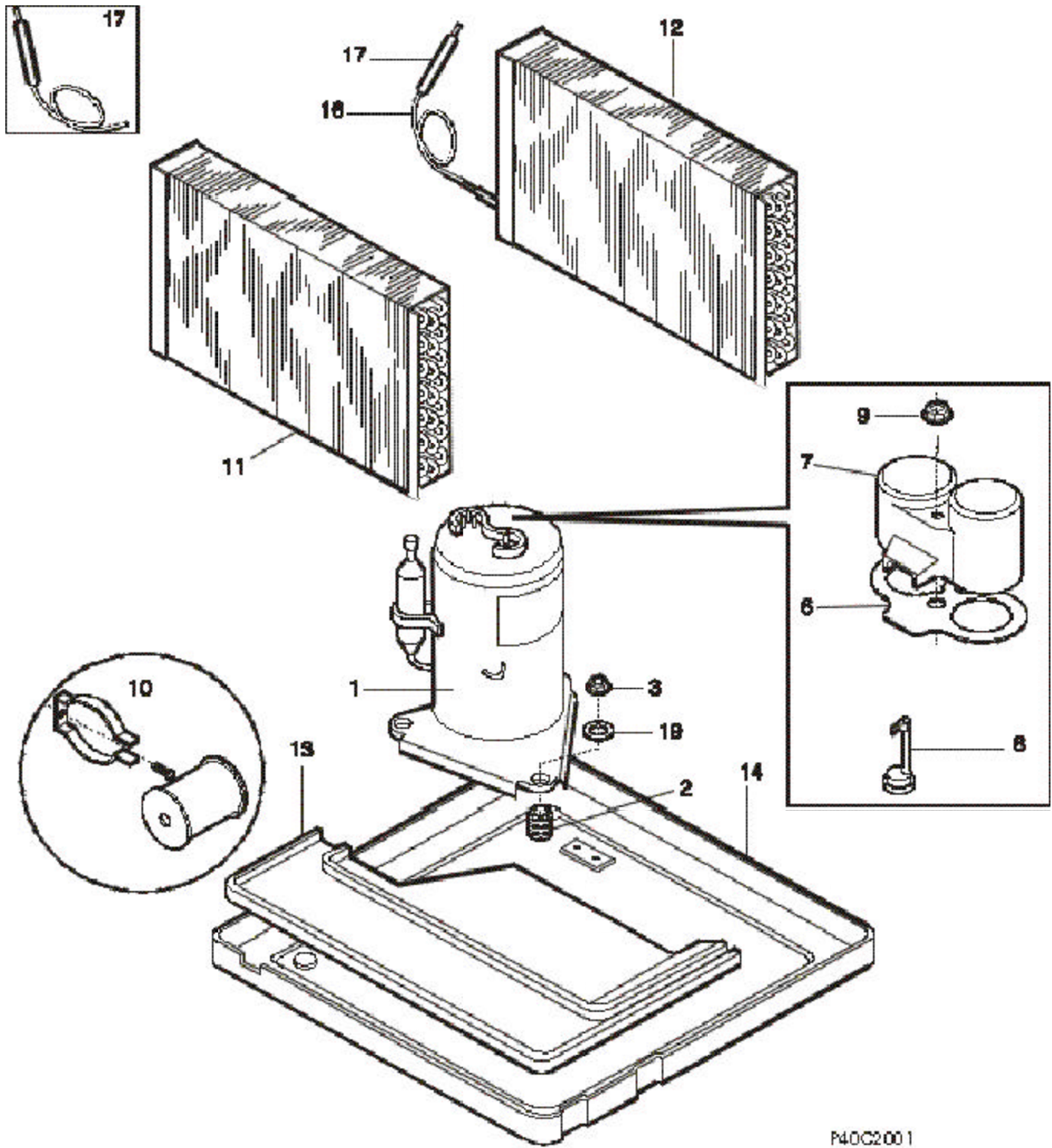
P40M2006

AIR HANDLING PARTS

| |
|----------------------------|
| A = FAC052K7A (FAC052K7A1) |
| B = FAC052K7A (FAC052K7A2) |

| POS. NO | PART NO | | DESCRIPTION |
|---------|------------|-----|-----------------------------------|
| 1 # | 309624502 | A - | Fan Blade, with clamp |
| 1 # | 309624506 | - B | Fan Blade, with clamp |
| 2 | 3202975 | A B | Screw, 10-16 x 0.72, square drive |
| 3 | 309624201 | A B | Housing-fan |
| 4 | 5303270043 | A B | Seal, condenser |
| 6 | 5300105402 | A - | Grommet, motor, (3) |
| 6 | 08007481 | - B | Nut, keps, motor mtg |
| 8 # | 309627302 | A - | Motor-fan, 3 speed |
| 8 # | 309642701 | - B | Motor-fan |
| 10 | 309602403 | A B | Bulkhead |
| 11 # | 309603301 | A - | Blower Wheel |
| 11 # | 309631702 | - B | Blower Wheel |
| 12 | 309112101 | A - | Clamp-blower |
| 12 | 327161302 | - B | Clamp-blower |
| 15 | 5304407653 | A B | Housing-blower |
| 16 | 309100201 | A B | Clip |
| 20 | 5303303573 | A B | Plate-blower housing |

COMPRESSOR PARTS



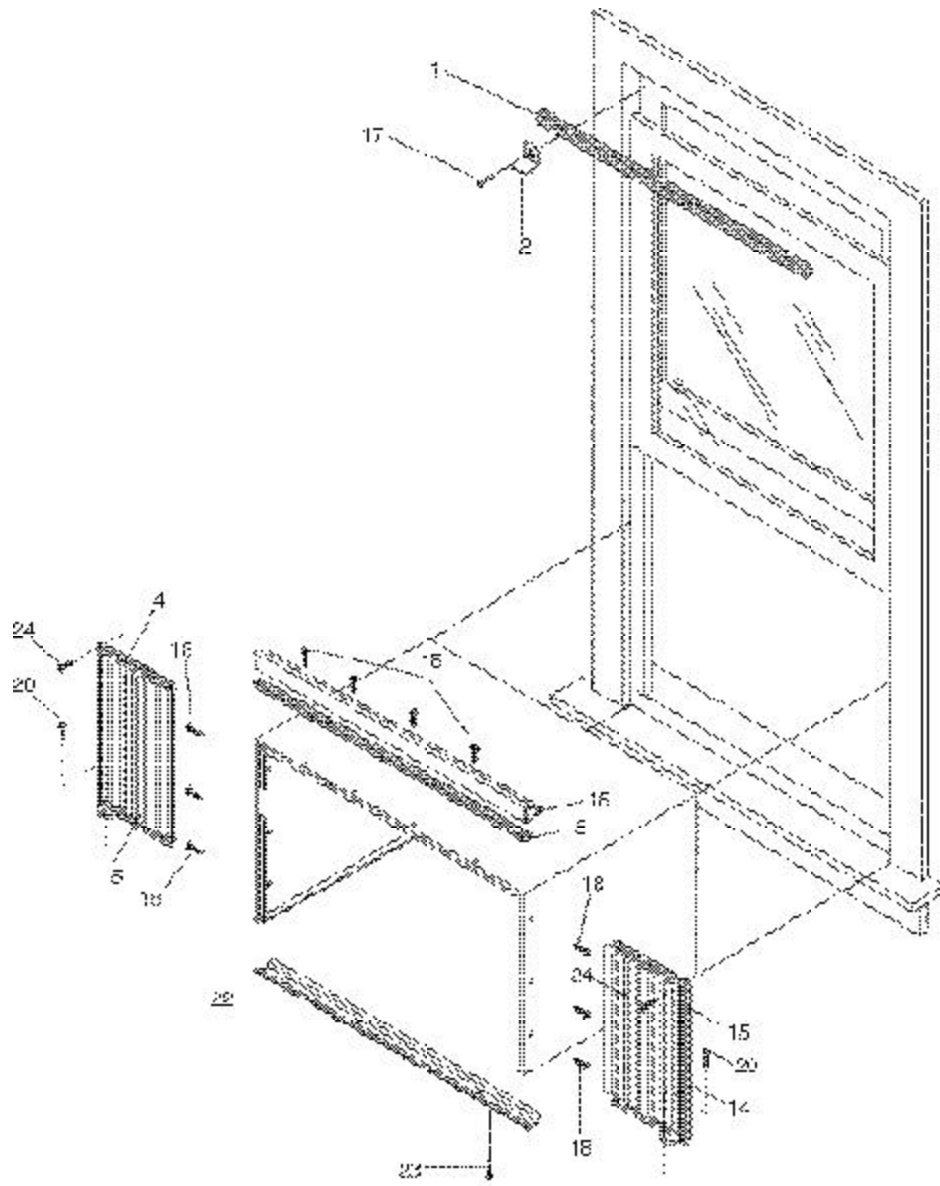
P40C2001

COMPRESSOR PARTS

| |
|----------------------------|
| A = FAC052K7A (FAC052K7A1) |
| B = FAC052K7A (FAC052K7A2) |

| POS. NO | PART NO | | DESCRIPTION |
|---------|------------|-----|--|
| 1 # | 5304417319 | A B | Compressor |
| 2 | 5303283877 | A B | Grommet,compressor mtg ,(3) |
| 3 | 5308006948 | A B | Nut,compressor mtg ,(3) |
| 6 | 5303251330 | A B | Gasket,terminal cover |
| 7 | 5304416126 | A B | Cover-terminal,compressor |
| 8 # | 5304417320 | A B | Overload Protector |
| 9 | 5303254252 | A B | Nut-terminal cover |
| 10 # | 5303317601 | A B | Start Assist Kit,compressor |
| 11 # | 309637401 | A B | Evaporator |
| 12 # | 5303307226 | A B | Condenser |
| 13 | 5303302849 | A B | Tray-evaporator |
| 14 | 5304413780 | A B | Base-compressor |
| 15 # | 5308017120 | A B | Capillary Tube,45 inch long, cut to length |
| 17 | 5304413857 | A B | Tube-process |
| 19 | 5303002664 | A B | Washer,compressor mtg |

WINDOW MOUNTING PARTS



P409160

WINDOW MOUNTING PARTS

| |
|----------------------------|
| A = FAC052K7A (FAC052K7A1) |
| B = FAC052K7A (FAC052K7A2) |

| POS. NO | PART NO | | DESCRIPTION |
|---------|------------|-----|---|
| 1 | 5304407729 | A B | Seal-window frame, stuffer |
| 2 | 5303211056 | A B | Bracket |
| 4 | 5304414120 | A B | Extension-frame, LH, w/accordian |
| 5 | 08016226 | A B | Seal-top, rail |
| 14 | 5304414121 | A B | Extension-frame, RH, with accordian |
| 16 | 5304417362 | A B | Railtop |
| 17 | 3002803 | A B | Screw, wood, type 17, 10-12 x 0.750 |
| 19 | 5303303651 | A B | Screw, truss head, 8-18AB x 0.375, w/nibs |
| 20 | 5303255750 | A B | Screw, pan head, 8-18 x 0.750 |
| 22 | 5304403252 | A B | Retainer, bottom |
| 23 | 3001806 | A B | Screw, 23(T), 10-32 x 0.310 |
| 24 | 5308002974 | A B | Screw, wood, type 17, 8-15 x 0.500 |

