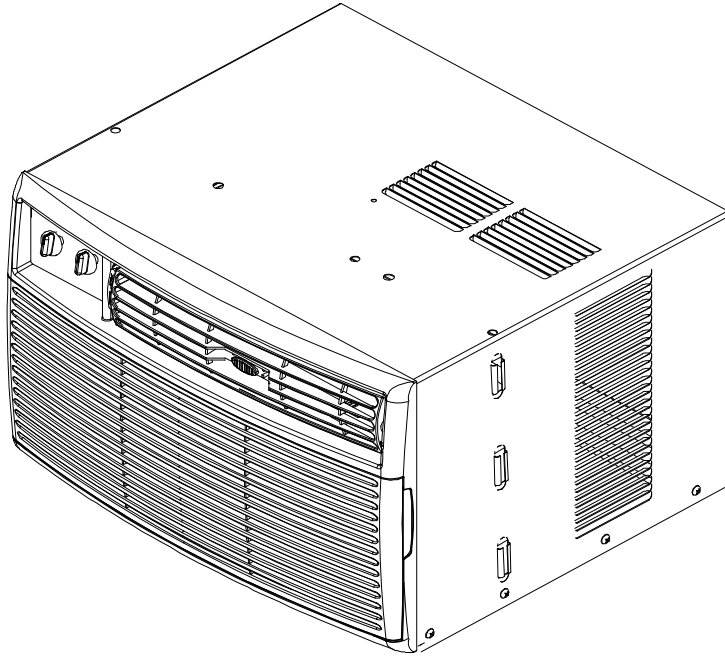


FACTORY PARTS CATALOG ROOM AIR CONDITIONER

 **FRIGIDAIRE**



PRODUCT NO.	BASE MODEL NO.	VOLTS	BTU-COOLING
FAC053J7A2	FAC053J7A	115	5200

WIRING DIAGRAM # - 309103901
OWNERS GUIDE # - 309000823

 **FRIGIDAIRE**
HOME PRODUCTS
P.O. Box 212378
Augusta, GA 30917

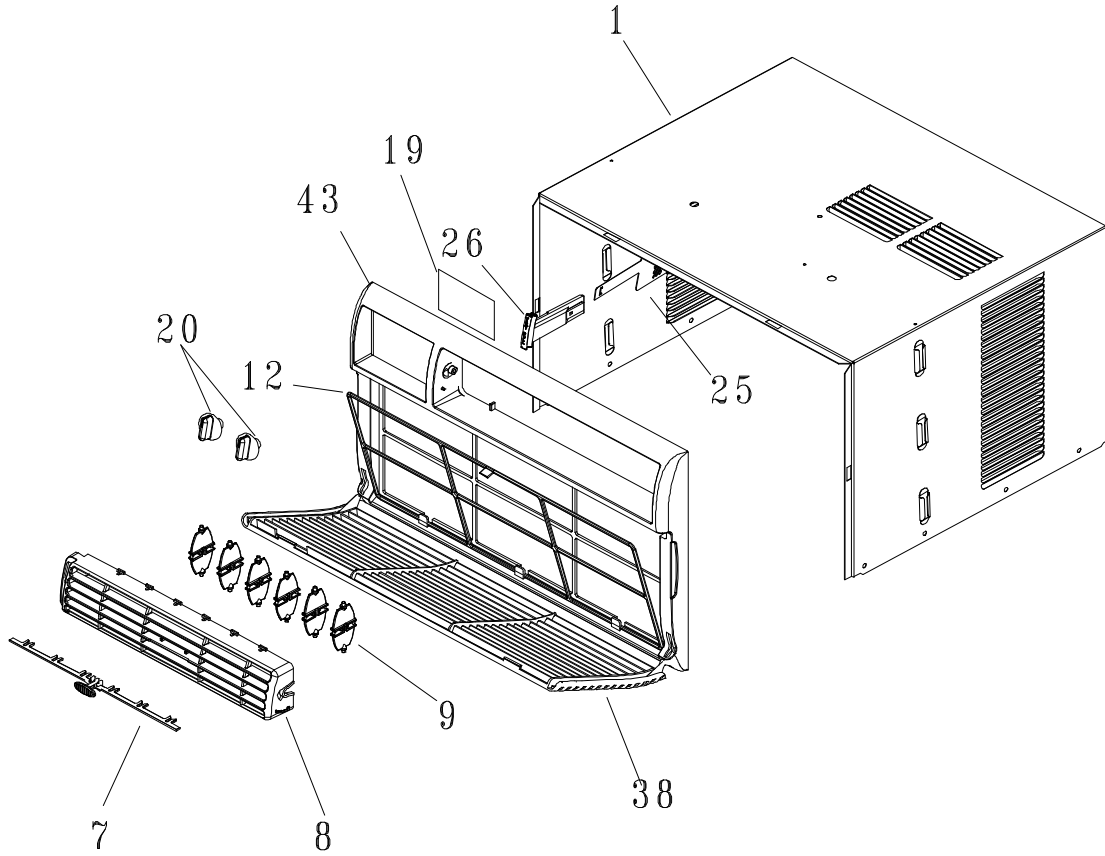
Publication No.
5995344974
000413
-EN/SERVICE /REP
345

ROOM AIR CONDITIONER

Model No.
FAC053J7A2

©2000 White Consolidated Industries, Inc.
All rights reserved

CABINET FRONT AND WRAPPER



CABINET FRONT AND WRAPPER

POS. NO.	PART NO.	DESCRIPTION
1	5304413783	Cabinet
7	309638001	Link / handle
8	309639301	Louver-horizontal
9	309342001	Louver, Vertical, (6)
12	3096343501	Filter-Mesh
17	309640102	Front, cabinet, complete
19	309342904	Plate-Dial
20	309306810	Knob-control
25	309328601	Door-Vent Actuator
26	309639401	Handle-Vent
26A*	309330201	Vent-Detent
38	309639201	Panel-front
43	309639101	Frame- front
*	5303001775	Spacer-Dial Plate
*	309640202	Louver assy-includes 7, 8 & 9

= Functional Parts
 * = Non-illustrated Parts

FAC053J7A2

CONTROL PARTS

CONTROL PARTS

POS. NO.	PART NO.	DESCRIPTION
7	309602502	Box-Control
8#	5303323284	Switch-selector
9#	5303302838	Control-temperature
10	309602403	Bulkhead
12	309101202	Clip-control bulb (2)
13#	5303316594	Capacitor, 370V, 35 + 7.5 mfd
14	5303303691	Screw, 8-18AB x .47
15	5303303086	Strap-capacitor
17#	309343101	Cord-power 115v
18	5303007754	Screw, .138-32 x 0.188
19	5303302855	Cover, capacitor
20	5303002600	Sleeve, control

= Functional Parts
* = Non-illustrated Parts

FAC053J7A2

AIR HANDLING PARTS

AIR HANDLING PARTS

POS. NO.	PART NO.	DESCRIPTION
1#	309624502	Fan Blade, with clamp
2	3202975	Screw, 10-16 x 0.72 square drive
3	309624201	Housing-fan
4	5303270043	Seal, condenser
6	08016225	Grommet-Motor
8#	309615302	Motor-Fan
10	309602403	Bulkhead
11	309617101	Blower Wheel
12	5303012110	Clamp-blower
15	5304407653	Housing-blower
16	309100201	Clip
17	5308011040	Clamp-part of fan blade ass'y
18	NOT SEPARATE	Deflector-housing (part of housing)
20	5304407654	Plate-Scroll

= Functional Parts

* = Non-illustrated Parts

FAC053J7A2

COMPRESSOR PARTS

COMPRESSOR PARTS

POS. NO.	PART NO.	DESCRIPTION
1#	5304413777	Compressor
2	5303283877	Grommet-compressor,3
3	5308006948	Nut, compressor, 3
6	5303002035	Gasket-cover
7	5303211011	Cover,terminal
8#	5304413778	Overload protector
9	5303301734	Nut, cover
10	5303317601	Start Assist Kit, compressor
11#	309604217	Evap-Assy
12#	309637601	Condenser
13	5303302849	Tray-Evap
14	5304413780	Base/Compressor-Stud Assy
16#	5304417585	Capillary Tube
17	5304413857	Tube-process
19	5303002664	Washer,compressor
20	5303002036	Spring-overload
21	5303295510	Washer,cover

= Functional Parts
* = Non-illustrated Parts

WINDOW MOUNTING PARTS

POS. NO.	PART NO.	DESCRIPTION
1	5304407729	Seal, frame, top
2	5303211056	Bracket
4	5304413847	Frame,LH
5	0806226	Seal-top rail
6	Not Used	Retainers are part of cabinet
14	5304413848	Frame,RH
15	309626504	Accordian
16	5304413784	Rail,top
17	3002803	Screw-wood
18	5303303691	Screw, 8-18AB x .38
20	5303295750	Screw, 8-18 x .75
22	5304403252	Retainer, bottom
23	3001806	Screw
24	530802974	Screw

= Functional Parts

* = Non-illustrated Parts

FAC053J7A2

WIRING DIAGRAM
