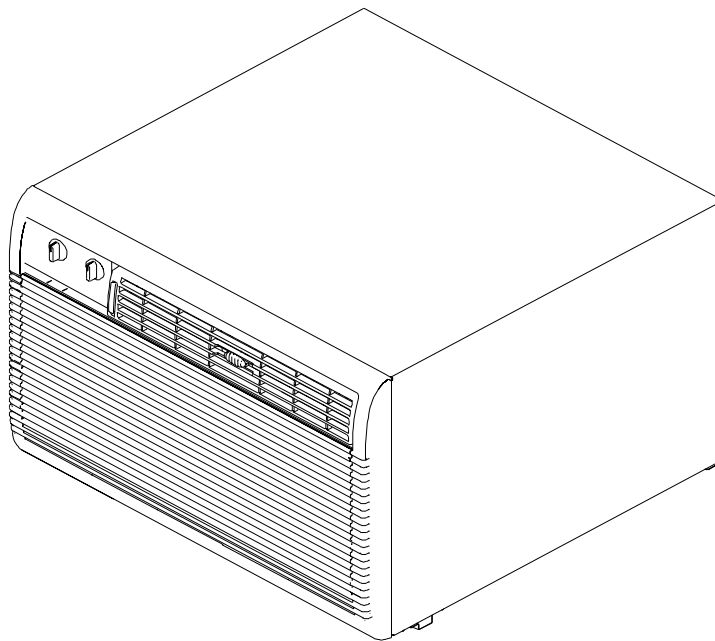


FACTORY PARTS CATALOG ROOM AIR CONDITIONER

Frigidaire



PRODUCT NO.	BASE MODEL NO.	SERIES	VOLTS
FAC053J7A3	FAC053J7A	Frigidaire	115
BTU-COOLING			
5200			

WIRING DIAGRAM - # 309103901
OWNER'S GUIDE - # 309000825

 **Electrolux**

ELECTROLUX HOME PRODUCTS NORTH AMERICA
P.O. BOX 212378, AUGUSTA, GA 30917

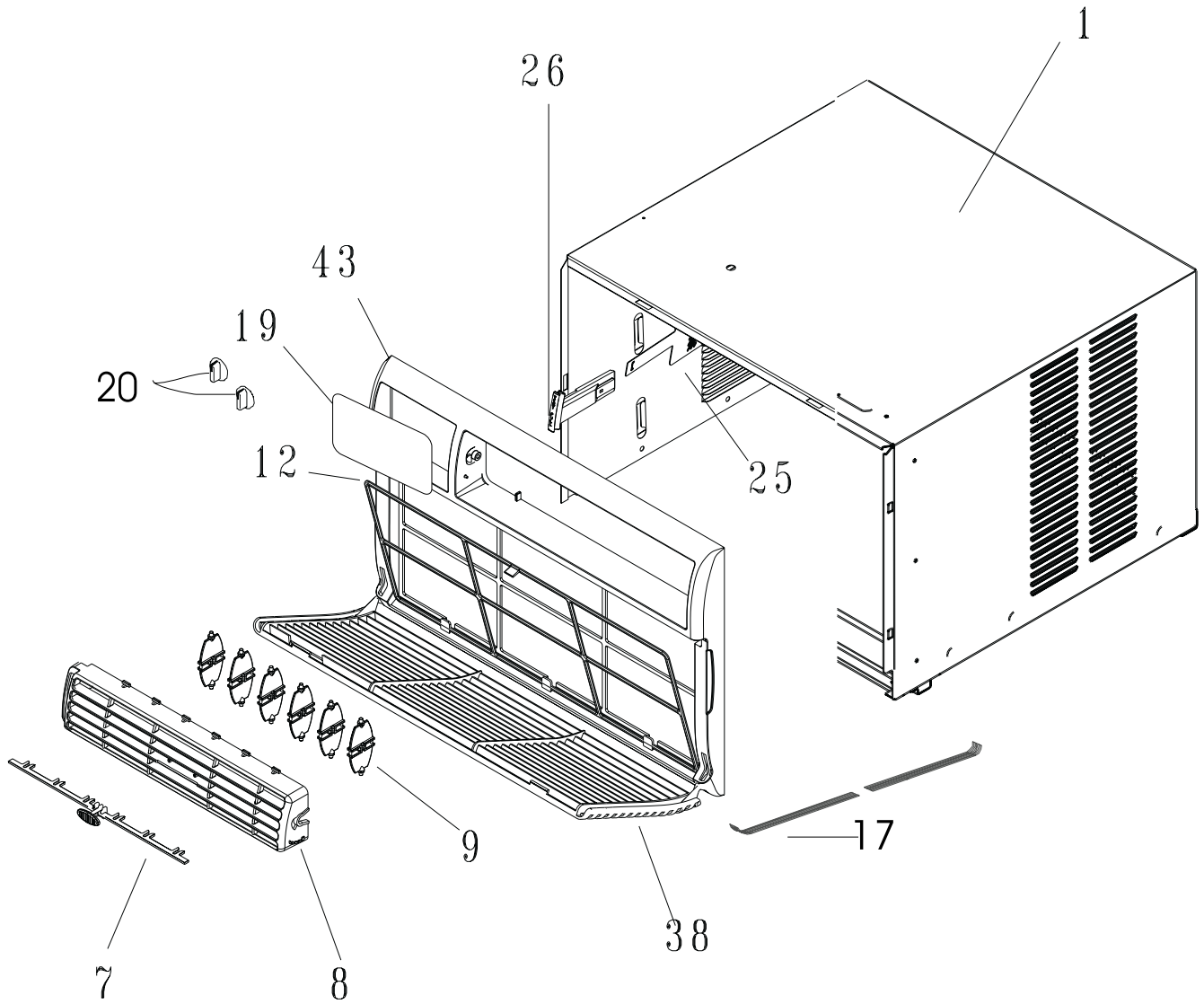
Publication No.
5995344982
001016
-EN/SERVICE /DJH
345

ROOM AIR CONDITIONER

Model No.

FAC053J7A

CABINET FRONT AND WRAPPER

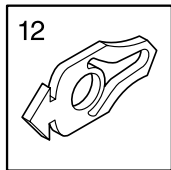
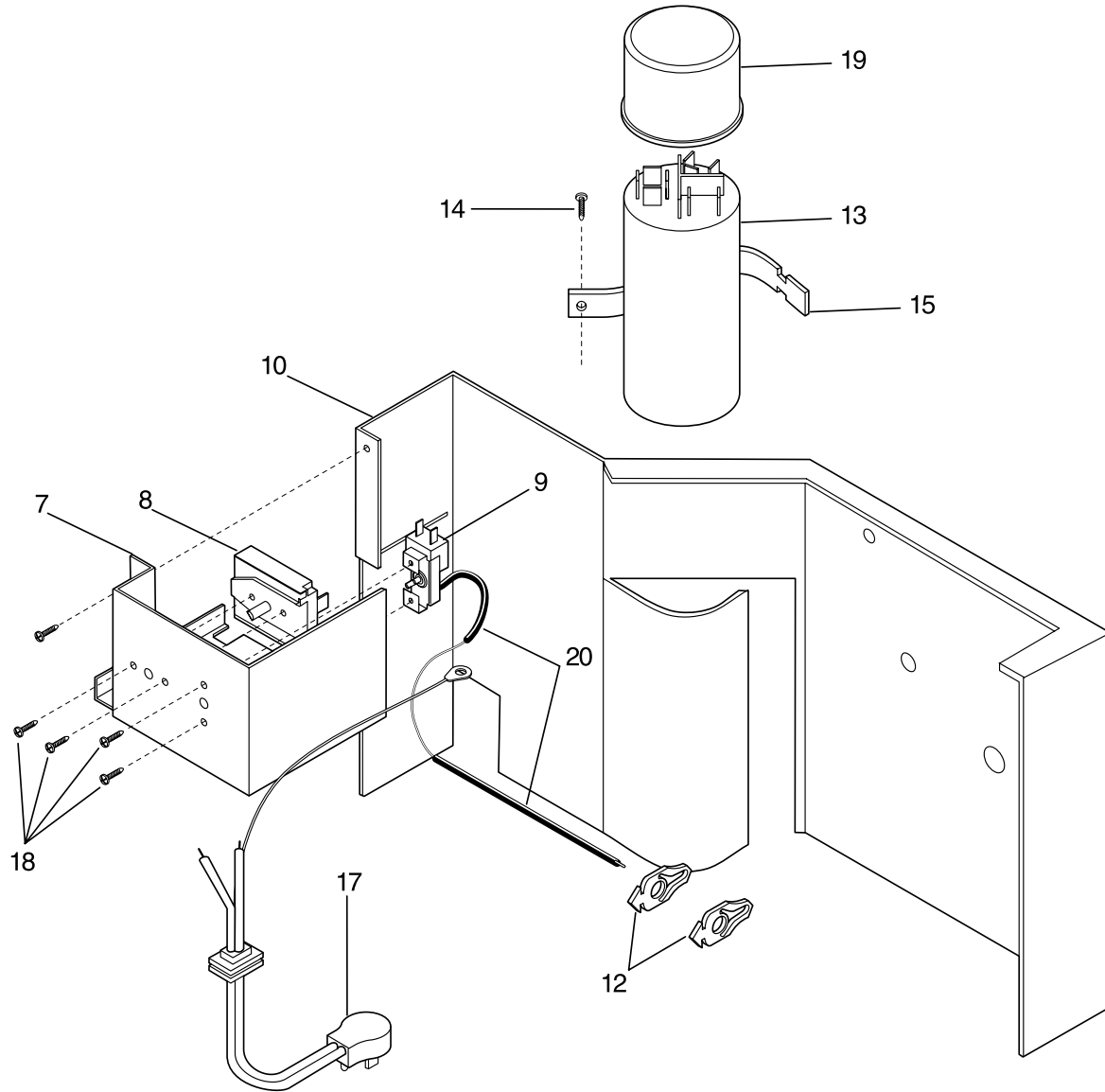


P40V2004

CABINET FRONT AND WRAPPER

POS. NO	PART NO	DESCRIPTION
1	5304413783	Cabinet
7	309638001	Link,vertical louver ,with handle
8	309639301	Louver,horizontal
9	309342001	Louver,vertical ,(6)
12	309343501	Filter-air,7.12 x 17.31 ,no frame
17	309640102	Front-cabinet,4 way ,complete assy
19	309342904	Dial Plate
20	309306810	Knob-control,rotary
22	5303001775	Spacer,plate
25	309328601	Door-vent,fresh air
26	309639401	Handle,vent door
26*	309330201	Detent-vent
38	309639201	Panel,cabinet front
43	309639101	Frame,cabinet front

CONTROLS

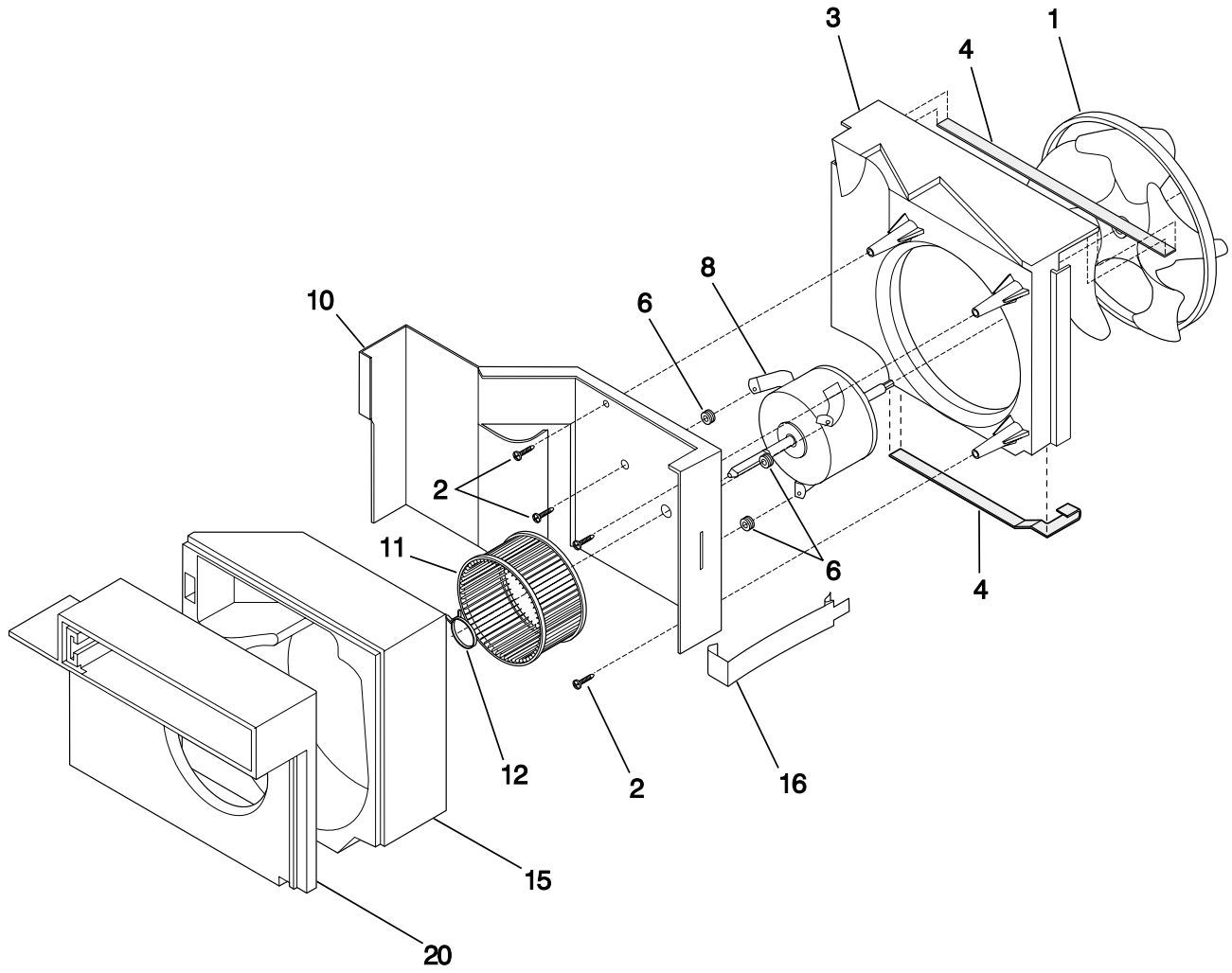


P40F0006

CONTROLS

POS. NO	PART NO	DESCRIPTION
7	309350302	Control Box
8 #	5303323284	Switch-selector
9 #	5304402838	Control-temperature
10	309602403	Bulkhead
12	309101202	Clip-control bulb,(2)
13 #	5303302854	Capacitor,370 V ,5+25 mfd
14	5303303691	Screw,truss head ,8-18AB x 0.375 ,w/nibs
15	5303303086	Strap-capacitor
17#	309343101	Cord-electric power,18 AWG ,115 V
18	5303007754	Screw,6-32 x 0.188
19	5303302855	Cover,capacitor
20	5303002600	Sleeve,control
*	309111201	Grommet,wire protector

AIR HANDLING PARTS

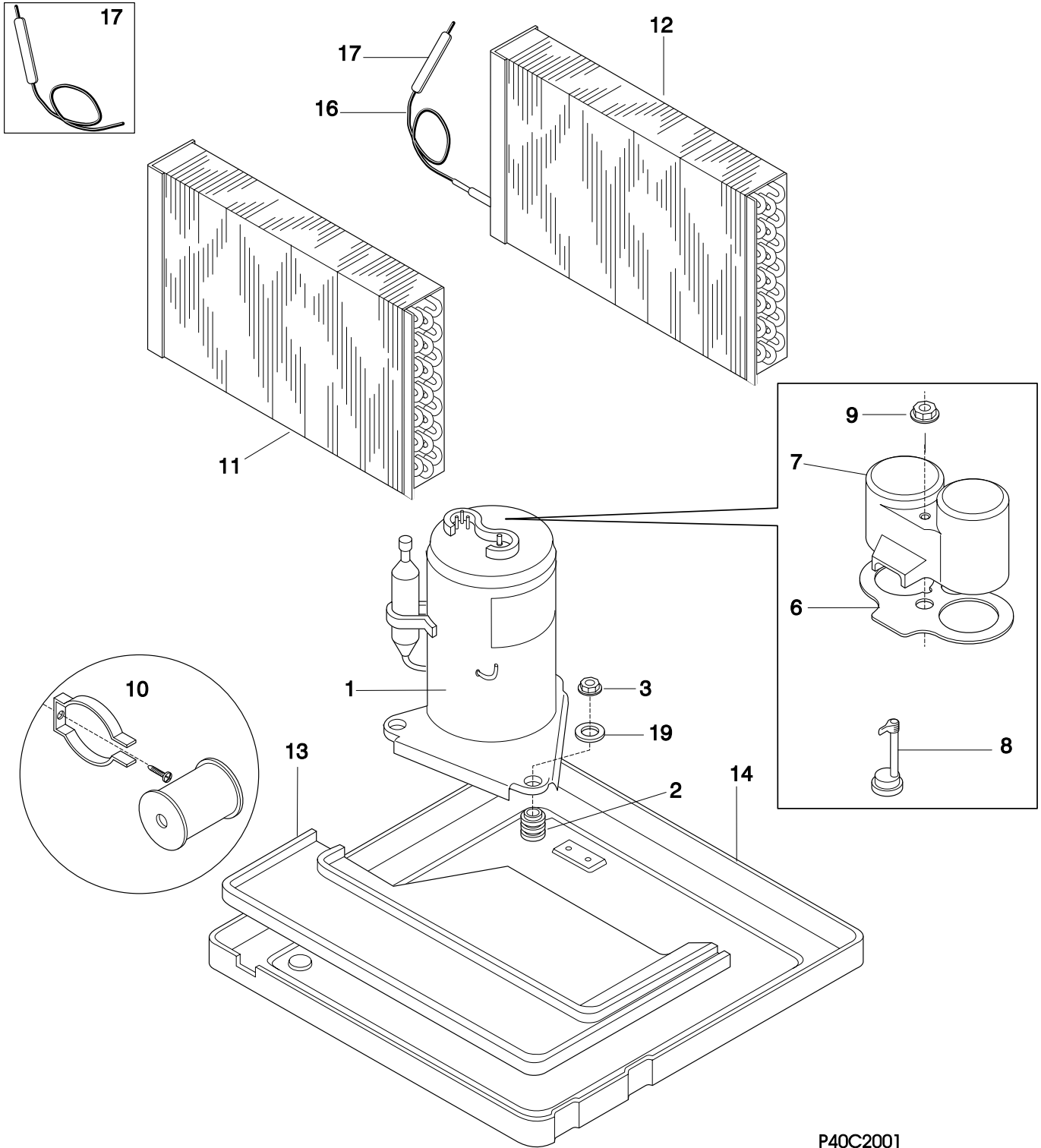


P40M2006

AIR HANDLING PARTS

POS. NO	PART NO	DESCRIPTION
1 #	309624502	Fan Blade,with clamp
2	3202975	Screw,10-16 x 0.72 ,square drive
3	309624201	Housing-fan
4	5303270043	Seal,condenser
6	5300105402	Grommet,motor ,(3)
8	309627302	Motor-fan,3 speed
10	309602403	Bulkhead
11 #	309603301	Blower Wheel
12	309112101	Clamp-blower
15	5304407653	Housing-blower
16	309100201	Clip
20	5304407654	Plate-blower housing,scroll plate

COMPRESSOR PARTS

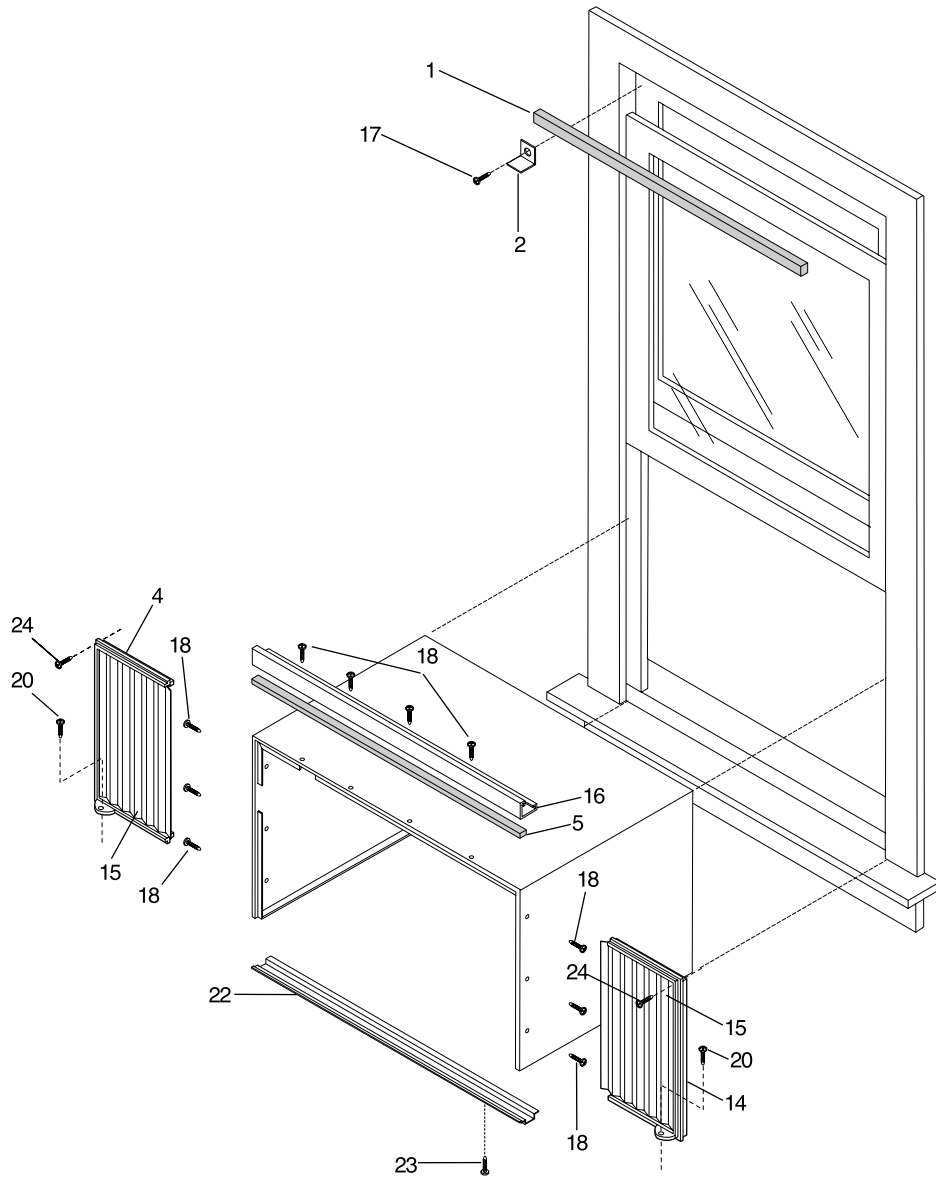


P40C2001

COMPRESSOR PARTS

POS. NO	PART NO	DESCRIPTION
1 #	5304410678	Compressor
2	5303283877	Grommet,compressor mtg ,(3)
3	5308006948	Nut,compressor mtg ,(3)
6	5303291330	Gasket,terminal cover
7	5304416126	Cover-terminal,compressor
8 #	5303209085	Overload Protector
9	5303294292	Nut-terminal cover
10 #	5303317601	Start Assist Kit,compressor
11 #	309604215	Evaporator
12 #	5303307226	Condenser
13	5303302849	Tray-evaporator
14	5304413780	Base-compressor
16 #	5308017120	Capillary Tube,45 inch long ,cut to length
17	5304413857	Process Tube
19	5303293809	Washer
19*	5303002664	Washer,compressor mtg
20	5303291328	Spring-overload

WINDOW MOUNTING PARTS



P40A1001

WINDOW MOUNTING PARTS

POS. NO	PART NO	DESCRIPTION
1	5304407729	Seal-window frame,stuffer
2	5303211056	Bracket
4	5304414120	Extension-frame,LH ,w/accordian
5	08016226	Seal-top rail
14	5304414121	Extension-frame,RH ,with accordian
15	309626504	Accordian
16	5304417362	Rail-top
17	3002803	Screw,wood, type 17 ,10-12 x 0.750
20	5303295750	Screw,pan head ,8-18 x 0.750
22	5304403252	Retainer,bottom
23	3001806	Screw,23(T) ,10-32 x 0.310
24	5308002974	Screw,wood,type 17 ,8-15 x 0.500

WIRING DIAGRAM

309103901

SUB.
1

