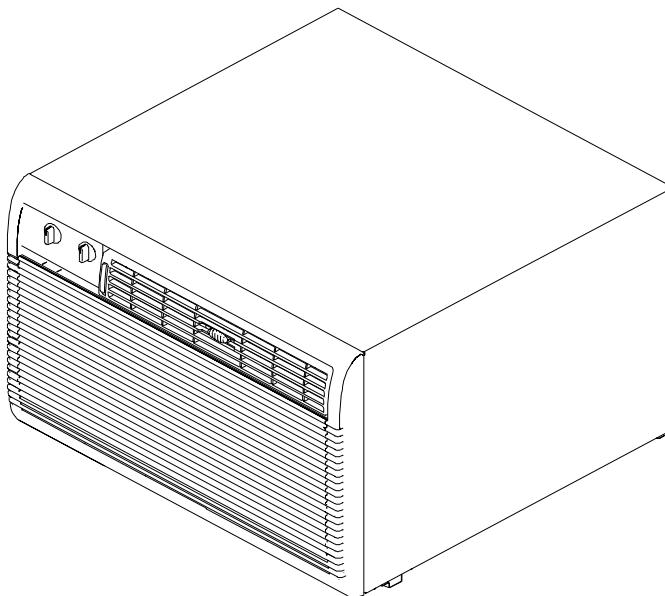


# FACTORY PARTS CATALOG ROOM AIR CONDITIONER

*Frigidaire*



| PRODUCT NO. | BASE MODEL NO. | COLOR | MARKET |
|-------------|----------------|-------|--------|
| FAC053K7A1  | FAC053k7A      | white | USA    |
| FAC053K7A2  | FAC053k7A      | white | USA    |
| PRODUCT NO. | BTU-COOLING    |       |        |
| FAC053K7A1  | 5200           |       |        |
| FAC053K7A2  | 5200           |       |        |

**WIRING DIAGRAM - # 309103901**  
**OWNER'S GUIDE - # 309000825**

 **Electrolux**

ELECTROLUX HOME PRODUCTS NORTH AMERICA  
P.O.BOX 212378, AUGUSTA, GA 30917

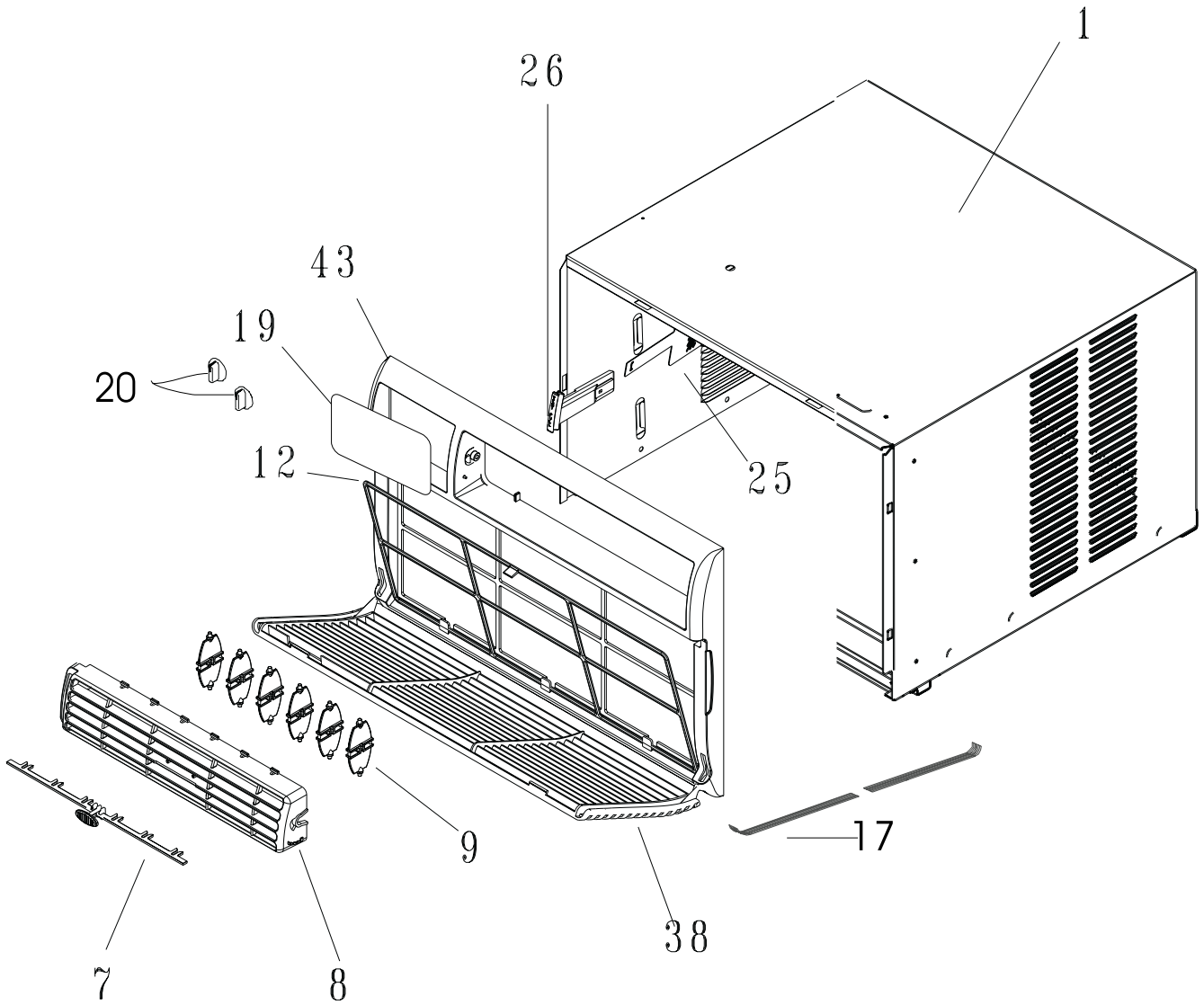
Publication No.  
5995348066  
010104  
-EN/SERVICE /DJH  
345

**ROOM AIR CONDITIONER**

**Model No.**  
**FAC053K7A**

©2001 White Consolidated Industries, Inc.  
All rights reserved

CABINET FRONT AND WRAPPER



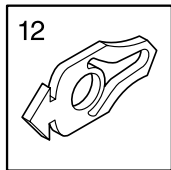
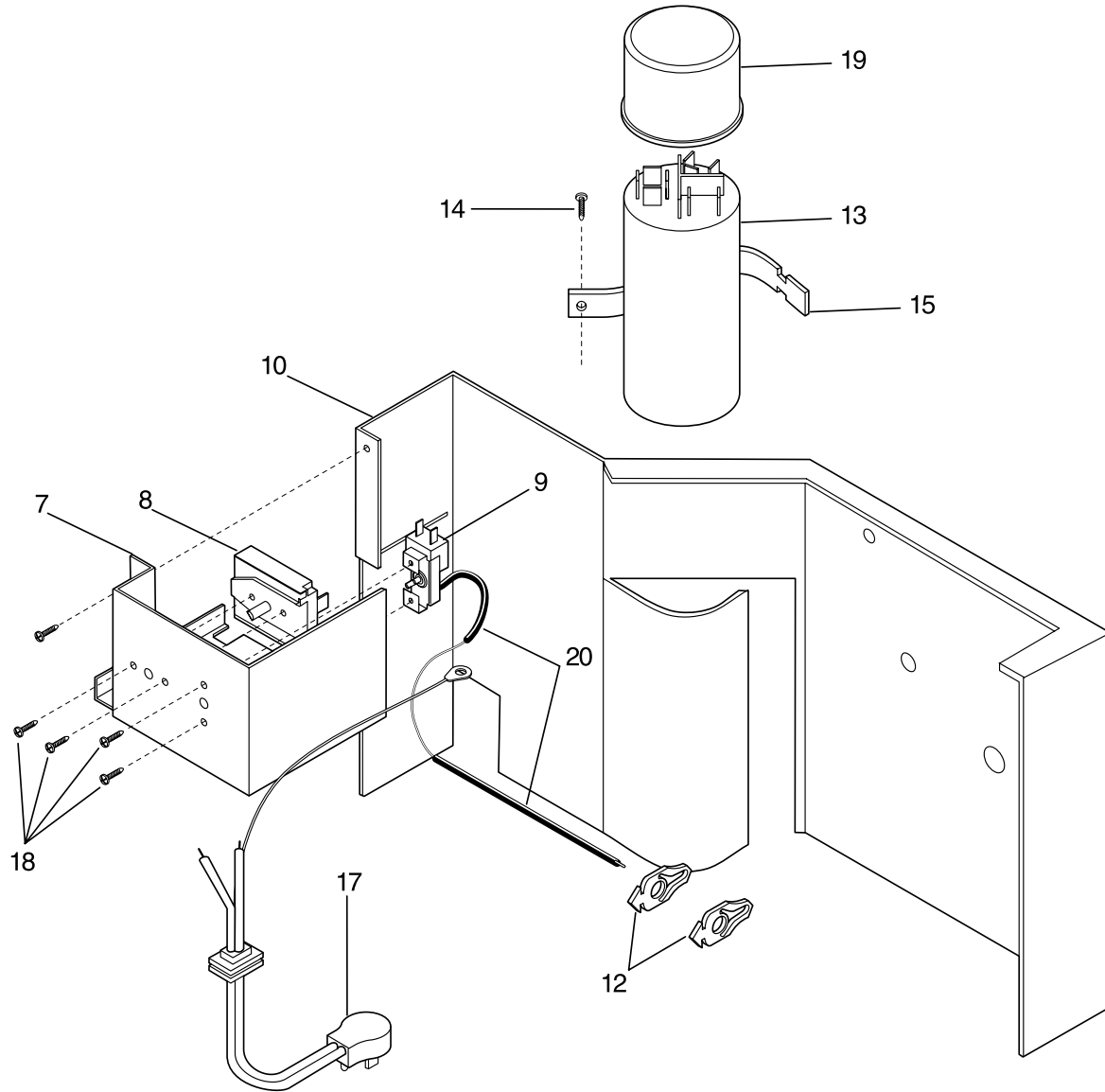
P40V2004

## CABINET FRONT AND WRAPPER

|                            |
|----------------------------|
| A = FAC053K7A (FAC053K7A1) |
| B = FAC053K7A (FAC053K7A2) |

| POS. NO | PART NO    |     | DESCRIPTION                        |
|---------|------------|-----|------------------------------------|
| 1       | 5304413783 | A B | Cabinet                            |
| 7       | 309638001  | A B | Link,vertical louver ,with handle  |
| 8       | 309639301  | A B | Louver,horizontal                  |
| 8*      | 309640202  | A B | Louver Assy,horizontal ,Incl-7,8,9 |
| 9       | 309342001  | A B | Louver,vertical ,(6)               |
| 12      | 309343501  | A B | Filter-air,7.12 x 17.31 ,no frame  |
| 17      | 309640102  | A B | Front-cabinet,4 way ,complete assy |
| 19      | 309342904  | A B | Dial Plate                         |
| 20      | 309306810  | A B | Knob-control,rotary                |
| 20*     | 309306811  | A B | Knob-control,rotary                |
| 25      | 309328601  | A B | Door-vent,fresh air                |
| 26      | 309638201  | A B | Handle vent door                   |
| 26*     | 309330201  | A B | Detent-vent                        |
| 38      | 309639201  | A B | Panel,cabinet front                |
| 43      | 309639101  | A B | Frame,cabinet front                |

CONTROLS



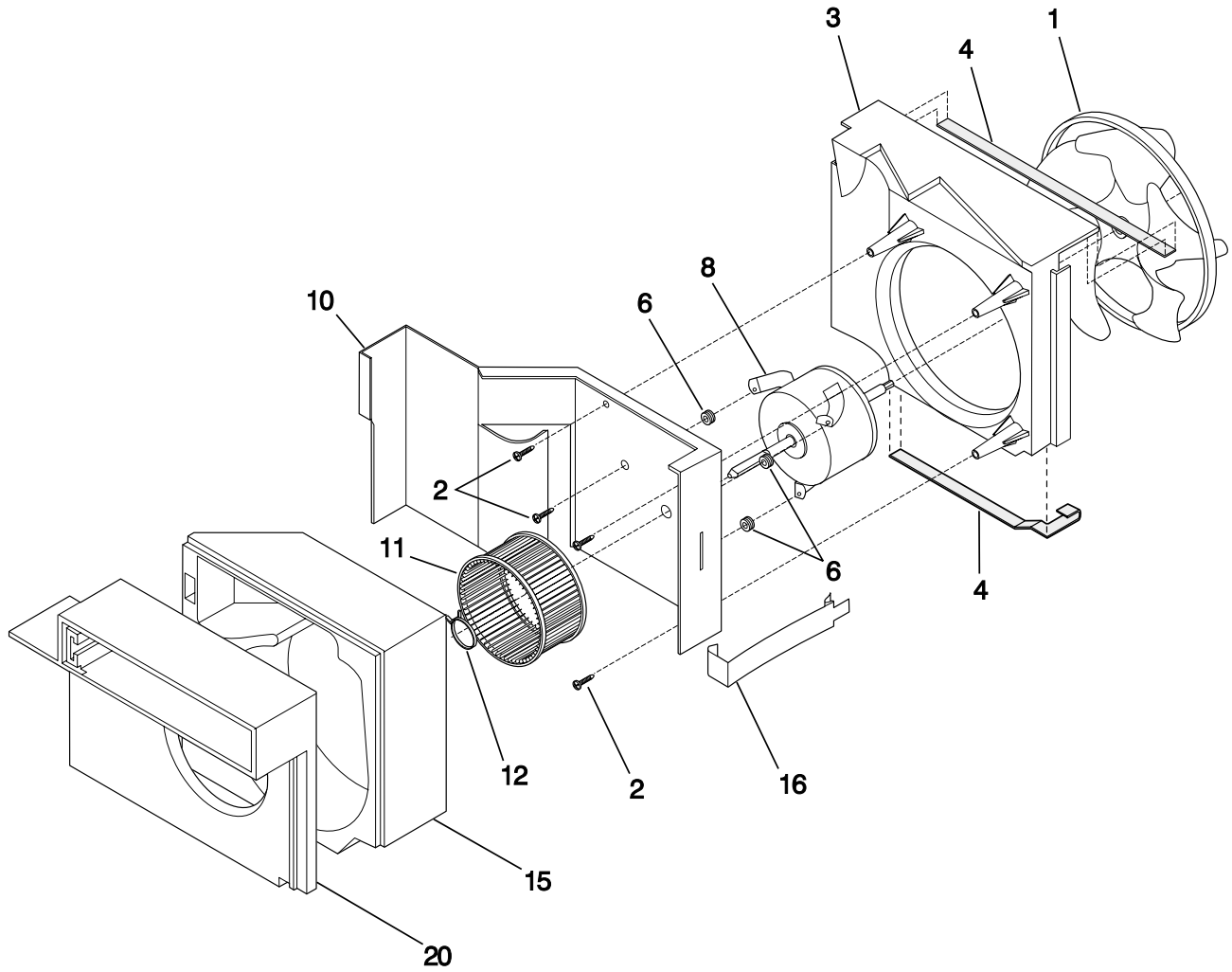
P40F0006

## CONTROLS

|                            |
|----------------------------|
| A = FAC053K7A (FAC053K7A1) |
| B = FAC053K7A (FAC053K7A2) |

| POS. NO | PART NO    |     | DESCRIPTION                              |
|---------|------------|-----|--|
| 7       | 309350302  | A B | Control Box                              |
| 8 #     | 5303323284 | A B | Switch-selector                          |
| 9 #     | 5304402838 | A B | Control-temperature                      |
| 10      | 309602404  | A B | Bulkhead                                 |
| 10*     | 309111201  | A B | Grommet,wire protector                   |
| 12      | 309101202  | A B | Clip-control bulb,(2)                    |
| 13      | 5304410675 | A - | Capacitor,370 V ,25+4/370                |
| 13 #    | 5304413779 | - B | Capacitor                                |
| 14      | 3015312    | A B | Screw,8-18AB x 0.500                     |
| 15      | 5303303086 | A B | Strap-capacitor                          |
| 17 #    | 309343101  | A B | Cord-electric power,18 AWG ,115 V        |
| 18      | 5303303691 | A B | Screw,truss head ,8-18AB x 0.375 ,w/nibs |
| 19      | 5303302855 | A B | Cover,capacitor                          |
| 20      | 5303002600 | A B | Sleeve,control                           |

AIR HANDLING PARTS



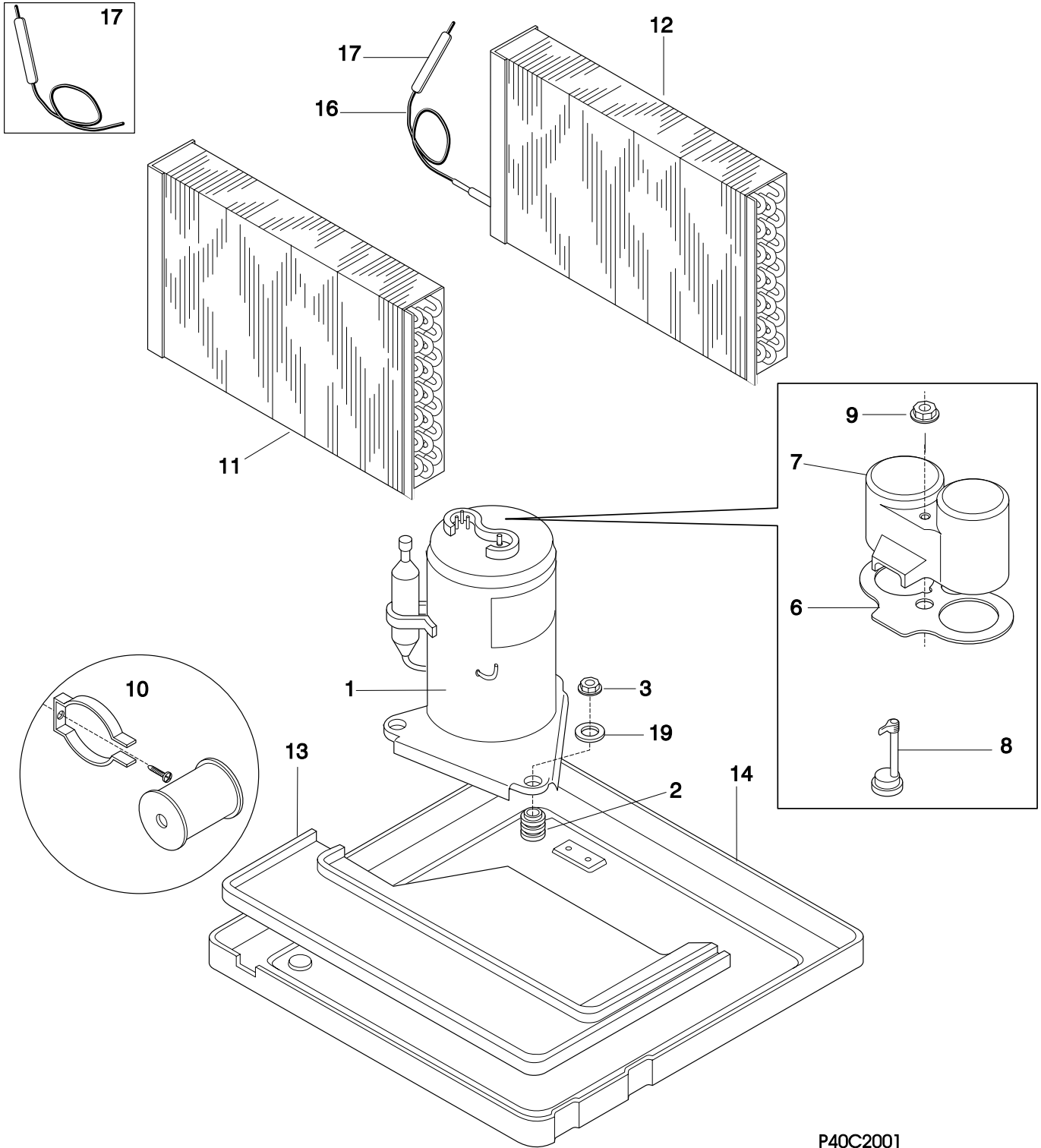
P40M2006

## AIR HANDLING PARTS

|                            |
|----------------------------|
| A = FAC053K7A (FAC053K7A1) |
| B = FAC053K7A (FAC053K7A2) |

| POS. NO | PART NO    |     | DESCRIPTION                              |
|---------|------------|-----|--|
| 1 #     | 309624502  | A - | Fan Blade,with clamp                     |
| 1 #     | 309624506  | - B | Fan Blade,with clamp                     |
| 2       | 3202975    | A B | Screw,10-16 x 0.72 ,square drive         |
| 3       | 309624201  | A B | Housing-fan                              |
| 4       | 5303270043 | A B | Seal,condenser                           |
| 6       | 5300105402 | A - | Grommet,motor ,(3)                       |
| 6       | 08007481   | - B | Nut,keps ,motor mtg                      |
| 8 #     | 309627302  | A - | Motor-fan,3 speed                        |
| 8 #     | 309642701  | - B | Motor-fan                                |
| 10      | 309602404  | A B | Bulkhead                                 |
| 11 #    | 309603301  | A - | Blower Wheel                             |
| 11 #    | 309631702  | - B | Blower Wheel                             |
| 12      | 309112101  | A - | Clamp-blower                             |
| 12      | 5303012110 | A - | Clamp-blower                             |
| 12      | 327161302  | - B | Clamp-blower                             |
| 15      | 5304407653 | A B | Housing-blower                           |
| 16      | 309100201  | A B | Clip                                     |
| 18      | 5303303691 | A B | Screw,truss head ,8-18AB x 0.375 ,w/nibs |
| 20      | 5304407654 | A B | Plate-blower housing,scroll plate        |

COMPRESSOR PARTS



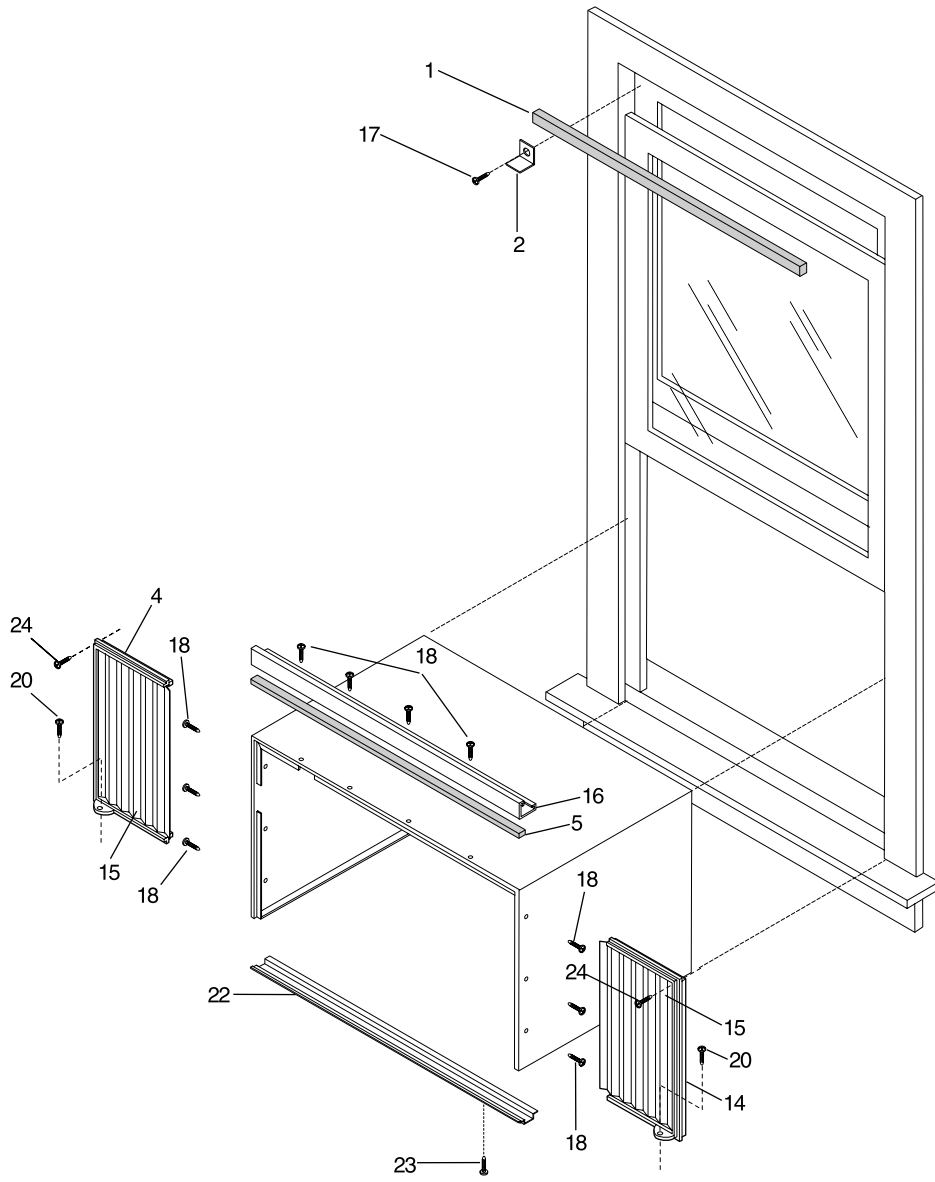
P40C2001

## COMPRESSOR PARTS

|                            |
|----------------------------|
| A = FAC053K7A (FAC053K7A1) |
| B = FAC053K7A (FAC053K7A2) |

| POS. NO | PART NO    |     | DESCRIPTION                                |
|---------|------------|-----|--|
| 1 #     | 5304410678 | A - | Compressor                                 |
| 1 #     | 5304417319 | - B | Compressor                                 |
| 2       | 5303283877 | A B | Grommet,compressor mtg ,(3)                |
| 3       | 5308006948 | A B | Nut,compressor mtg ,(3)                    |
| 6       | 5303291330 | A B | Gasket,terminal cover                      |
| 7       | 5304416126 | A B | Cover-terminal,compressor                  |
| 7*      | 5303293809 | A B | Washer                                     |
| 8 #     | 5303209085 | A - | Overload Protector                         |
| 8 #     | 5304417320 | - B | Overload Protector                         |
| 9       | 5303294292 | A B | Nut-terminal cover                         |
| 10 #    | 5303317601 | A B | Start Assist Kit,compressor                |
| 11 #    | 309604215  | A - | Evaporator                                 |
| 11 #    | 309637505  | - B | Evaporator                                 |
| 12 #    | 5303307226 | A - | Condenser                                  |
| 12 #    | 5303302850 | - B | Condenser                                  |
| 13      | 5303302849 | A B | Tray-evaporator                            |
| 14      | 5304413780 | A B | Base-compressor                            |
| 16 #    | 5308017120 | A B | Capillary Tube,45 inch long ,cut to length |
| 17      | 5304413857 | A B | Tube-process                               |
| 19      | 309112501  | A B | Washer,metallic                            |
| 19*     | 5303002664 | A B | Washer,compressor mtg                      |

WINDOW MOUNTING PARTS



P40A1001

## WINDOW MOUNTING PARTS

|                            |
|----------------------------|
| A = FAC053K7A (FAC053K7A1) |
| B = FAC053K7A (FAC053K7A2) |

| POS. NO | PART NO    |     | DESCRIPTION                              |
|---------|------------|-----|--|
| 1       | 5304407729 | A B | Seal-window frame,stuffer                |
| 2       | 5303211056 | A B | Bracket                                  |
| 4       | 5304414120 | A B | Extension-frame,LH ,w/accordion          |
| 5       | 08016226   | A B | Seal-top rail                            |
| 14      | 5304414121 | A B | Extension-frame,RH ,with accordion       |
| 15      | 309626504  | A B | Accordion                                |
| 16      | 5304417362 | A B | Rail-top                                 |
| 17      | 3002803    | A B | Screw,wood, type 17 ,10-12 x 0.750       |
| 18      | 5303303691 | A B | Screw,truss head ,8-18AB x 0.375 ,w/nibs |
| 20      | 5303295750 | A B | Screw,pan head ,8-18 x 0.750             |
| 22      | 5304403252 | A B | Retainer,bottom                          |
| 23      | 3001806    | A B | Screw,23(T) ,10-32 x 0.310               |
| 24      | 5308002974 | A B | Screw,wood,type 17 ,8-15 x 0.500         |

WIRING DIAGRAM

309103901

SUB.  
1

