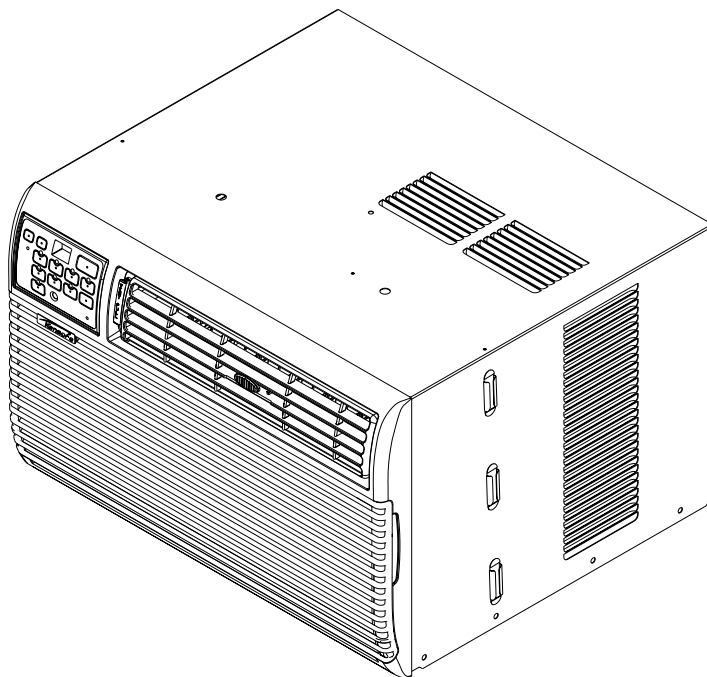


# FACTORY PARTS CATALOG ROOM AIR CONDITIONER

## *Frigidaire*



PRODUCT NO.	BASE MODEL NO.	MARKET	BTU-COOLING
FAL104K1A1	FAL104K1A	USA	10000BTU

WIRING DIAGRAM - # 309343701  
OWNER'S GUIDE - # 309000825

 **Electrolux**

ELECTROLUX HOME PRODUCTS NORTH AMERICA  
P.O. BOX 212378, AUGUSTA, GA 30917

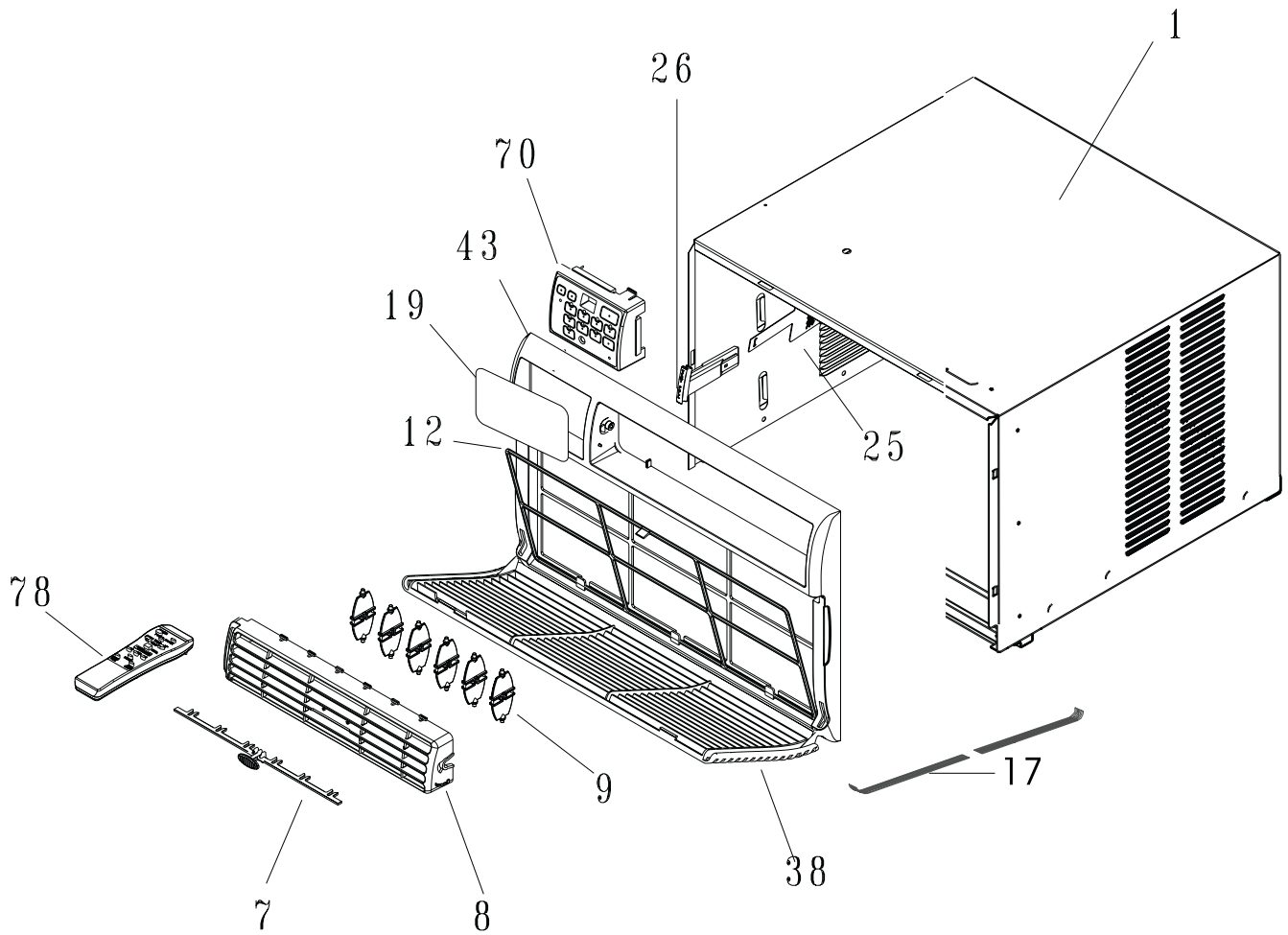
Publication No.  
5995351045  
010312  
-EN/SERVICE /DJH  
345

**ROOM AIR CONDITIONER**

**Model No.**  
**FAL104K1A**

©2001 White Consolidated Industries, Inc.  
All rights reserved

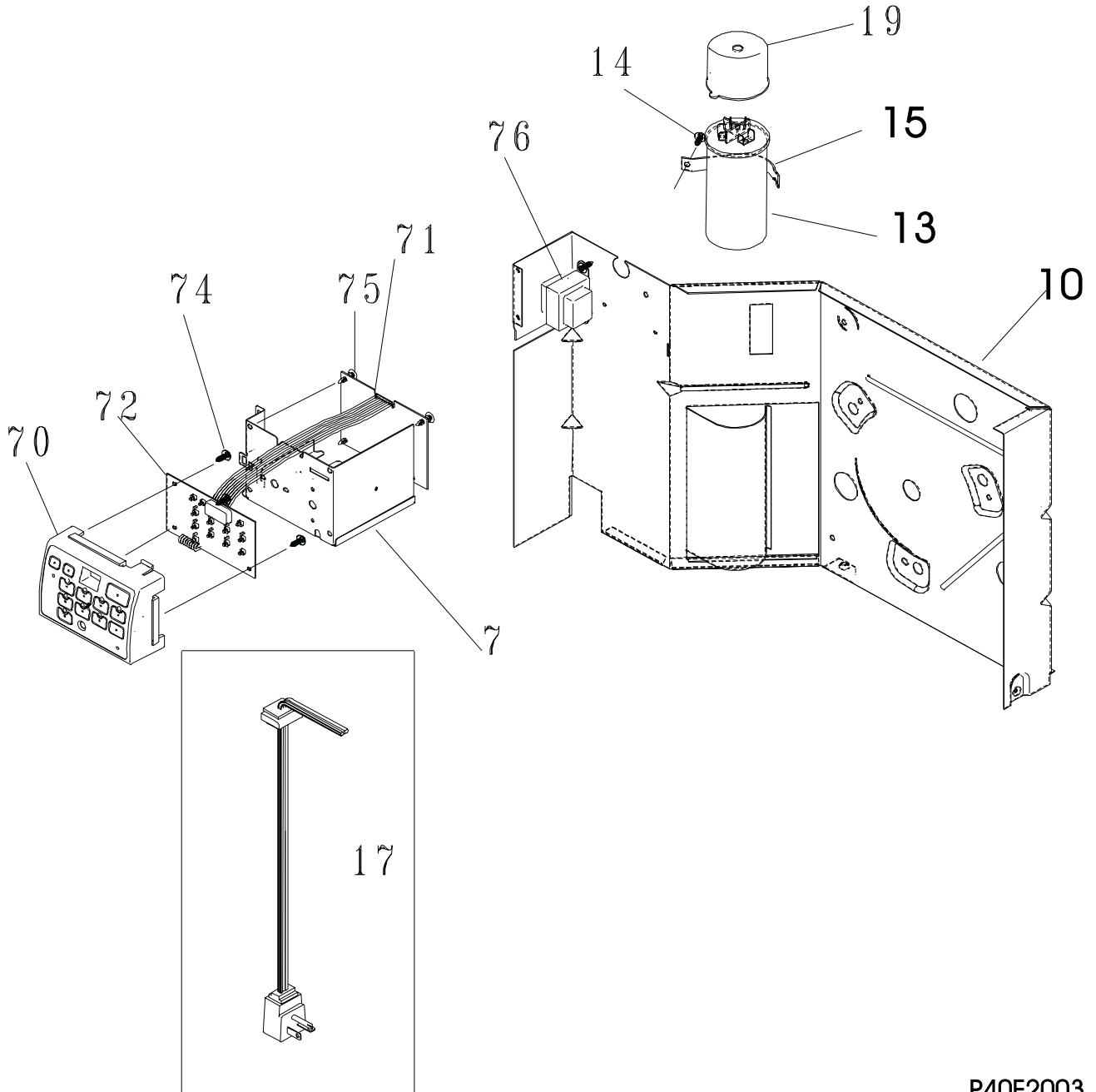
CABINET FRONT AND WRAPPER



P40V2003

## CABINET FRONT AND WRAPPER

POS. NO	PART NO	DESCRIPTION
1	309609212	Cabinet,sleeve ,complete assy
7	309638601	Link
8	309639701	Louver,horizontal
8*	309640402	Louver
9	309342001	Louver,vertical ,(6)
12	309343502	Filter-air,8.32 x 22.40
17	309640302	Front-panel complete
19	309340903	Overlay,Frigidaire
25	309328602	Door-vent,fresh air
26	309639401	Handle,vent door
26*	309330201	Detent-vent
38	309639601	Panel-front
43	309639501	Frame-front,22TC
70	309342301	Enclosure,elec control mt
78	309350502	Remote Control,transmitter with batteries
*	5304402119	Seal-tube



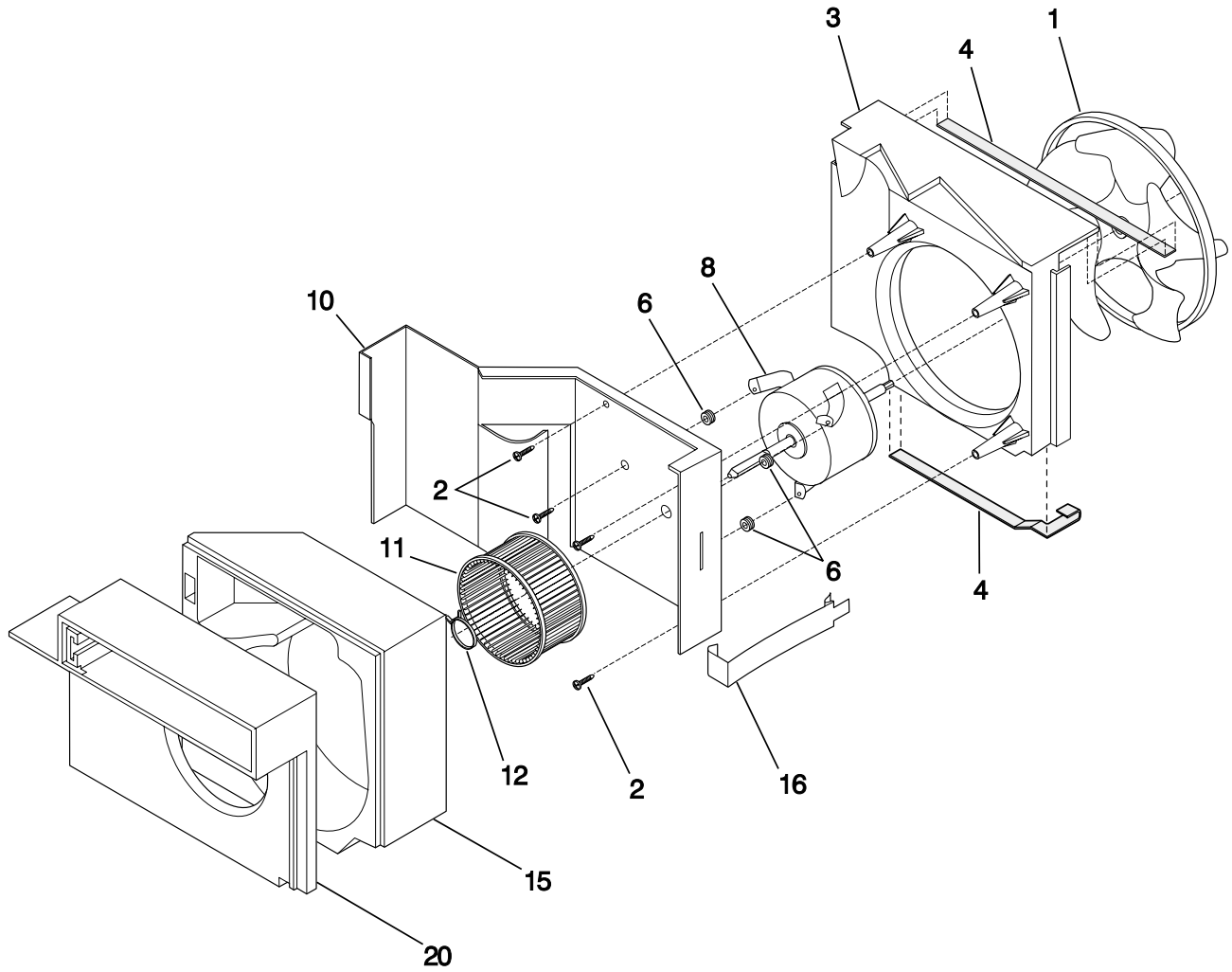
P40F2003

CONTROLS

---

POS. NO	PART NO	DESCRIPTION
7	309605605	Box-control
10	5303316617	Bulkhead
10*	309111201	Grommet,wire protector
13 #	5303318963	Capacitor,370 V
14	3015312	screw,8-18ABX0.500
15	5303303077	Strap-capacitor
17	309343104	Cord-service
19	5303302855	Cover-capacitor
70	309342301	Enclosure,elec control mt
71 #	309350401	PC Board,power,Sagem
72 #	309350402	PC Board,input
74	5303301590	Screw-bracket
75	5304413781	Support-pc board
76	309111601	Transformer,120/12 Volt

AIR HANDLING PARTS

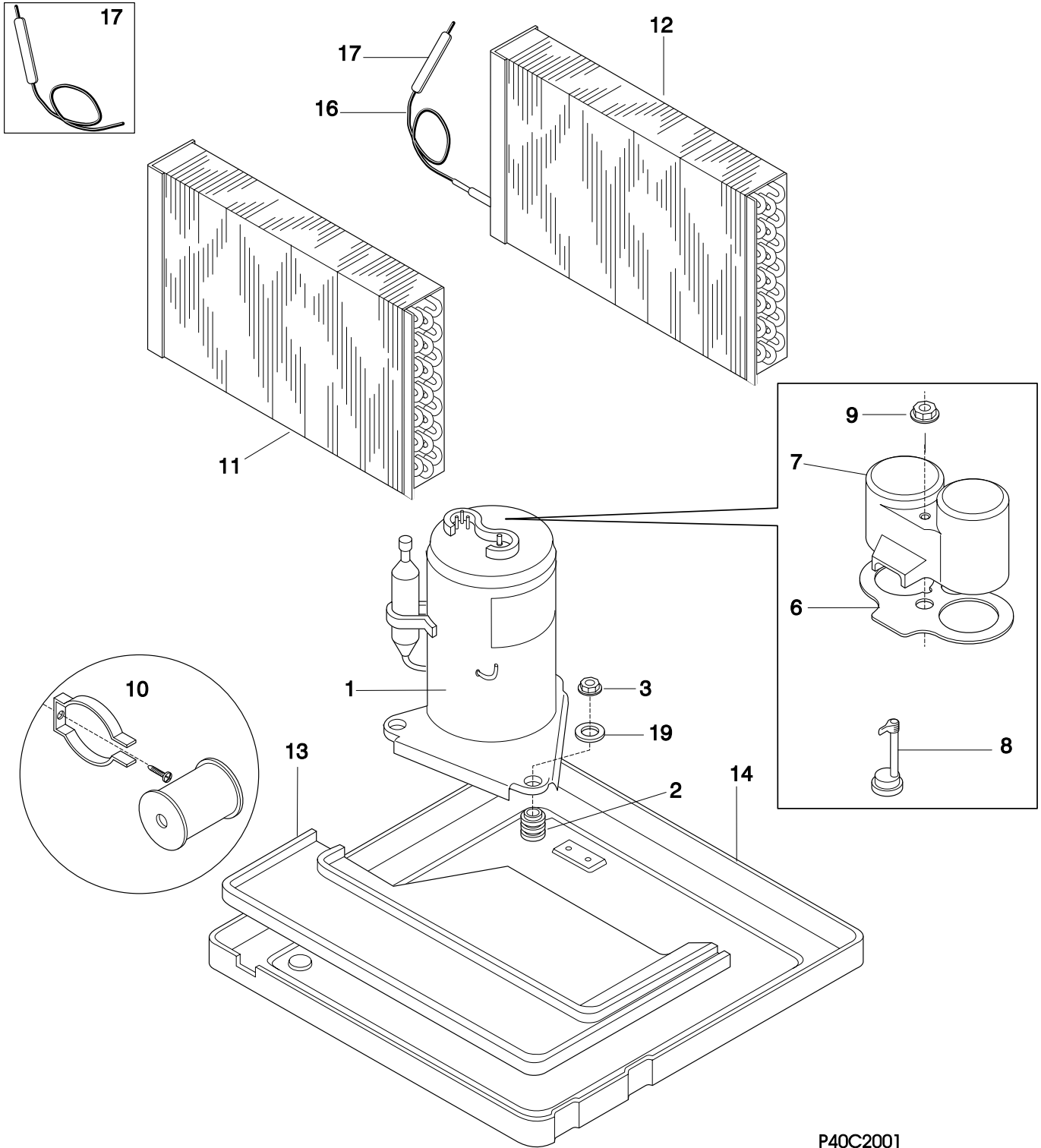


P40M2006

## AIR HANDLING PARTS

POS. NO	PART NO	DESCRIPTION
1 #	5303320769	Fan Blade,with clamp
2	3202975	Screw,10-16 x 0.72 ,square drive
3	3202950	Housing-fan
4	3202953	Seal-fan housing,top
4	3202951	Seal-fan housing,bottom
6	5300105402	Grommet-motor
8 #	309630602	Motor-fan,115 V
10	5303316617	Bulkhead
11 #	309608901	Blower Wheel,cavity 1&2
11 #	309608902	Blower-wheel,cavity 3&4
12	309112101	Clamp-blower
12*	5303012110	Clamp-blower
15	309605702	Housing-blower,evap scroll
20	309605802	Plate-blower housing,scroll plate

COMPRESSOR PARTS

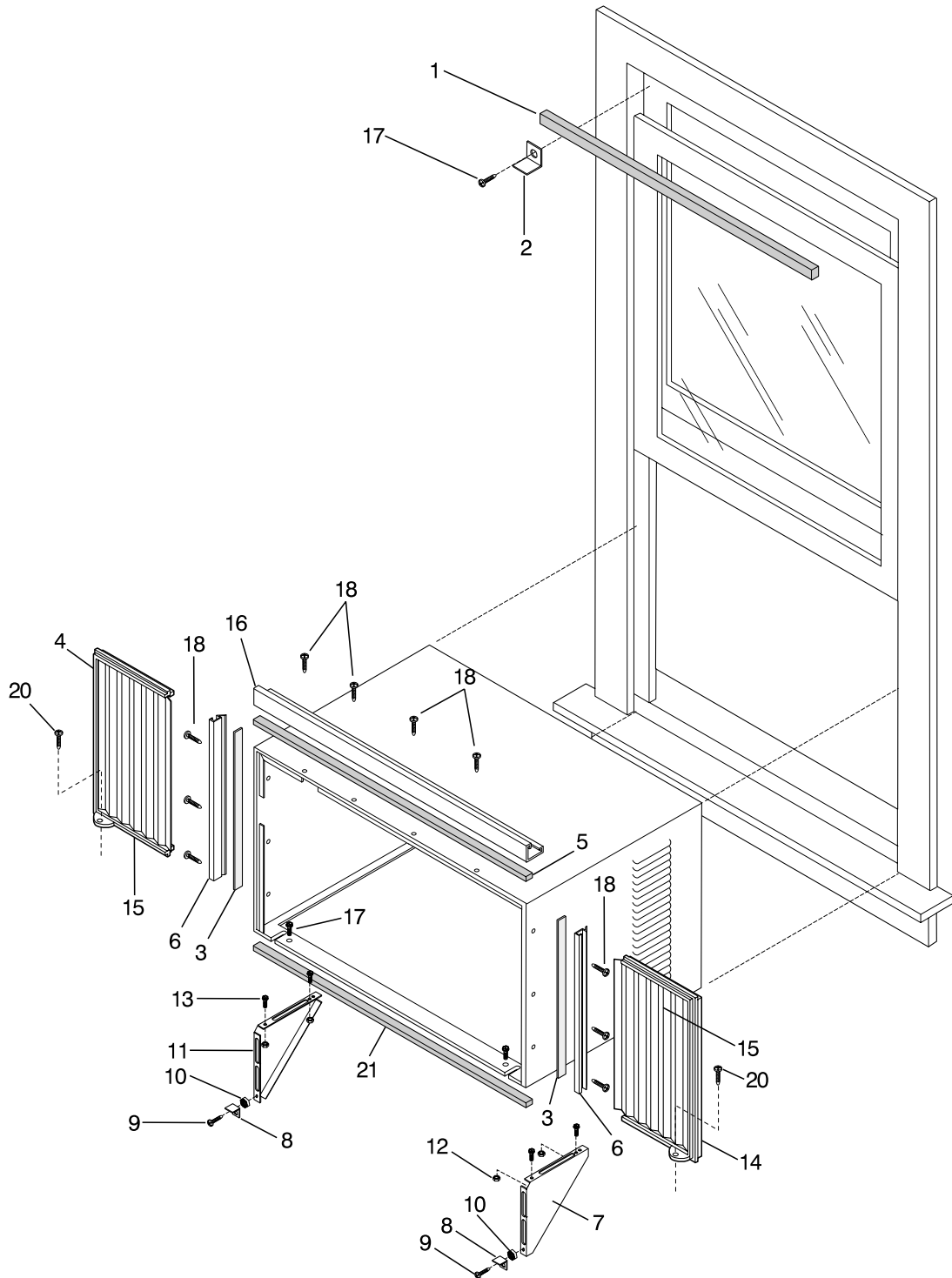


P40C2001

## COMPRESSOR PARTS

POS. NO	PART NO	DESCRIPTION
1 #	5304419112	Compressor-sanyo,806-014-42
2	5303283877	Grommet,compressor mtg ,(3)
3	5308006948	Nut,compressor mtg ,(3)
6	3200282	Gasket-cover
7	3200281	Cover-terminal
8 #	5303295567	Overload Protector
9	5303211017	Nut-terminal cover
10 #	5303317601	Start Assist Kit,compressor
11 #	309606101	Evaporator
12 #	5304419796	condenser assy
13	309606001	Tray-evaporator
14	5304419798	Base assy,22TC ,grey
16	5308017120	Capillary Tube,45 inch long ,cut to length
17	5304417604	Process-tube
19	5303002664	Washer,compressor mtg
19*	309112501	Washer,metallic
*	309352301	Tube-discharge

WINDOW MOUNTING PARTS



P40A0022

## WINDOW MOUNTING PARTS

POS. NO	PART NO	DESCRIPTION
1	5304407729	Seal-window frame,stuff
2	5303211056	Bracket
3	5303276728	Seal,retainer
4	5304415073	Frame,LH
4*	309313302	Kit-window mtg
5	5303207200	Seal,rail ,top
6	5304414107	Retainer,accordian
7	5304414105	Bracket-support,RH
7*	309313203	Kit-mounting support
8	3001815	Bracket-support
9	3007756	screw
10	3007759	Nut-bracket
11	5304414106	Bracket-support,LH
12	3017023	Nut,hex ,10-32 ,2
13	5303281649	Screw,support
14	5304415074	Frame,RH
15	5304415072	Closure,accordian type ,window mount
16	5304414102	Rail-top
17	3002803	Screw,wood, type 17 ,10-12 x 0.750
18	3015312	screw
20	3002801	Screw,8-18B x 0.500
21	5314949603	Seal-chassis,bottom

WIRING DIAGRAM

