

Frigidaire

Factory Parts Catalog

Product No.	FD30LPDC	FD30NGDC	FD30HOLPDC	FD30HONGDC
Series	Grill & Cart	Grill & Cart	built-in	built-in
Market	North America	North America	North America	North America
Color	stainless steel	stainless steel	stainless steel	stainless steel
Owner's Guide	FD30IMD	FD30IMD	FD30IMD	FD30IMD



Electrolux Major Appliances
 North & Latin America
 P.O. BOX 212378
 AUGUSTA, GA 30917

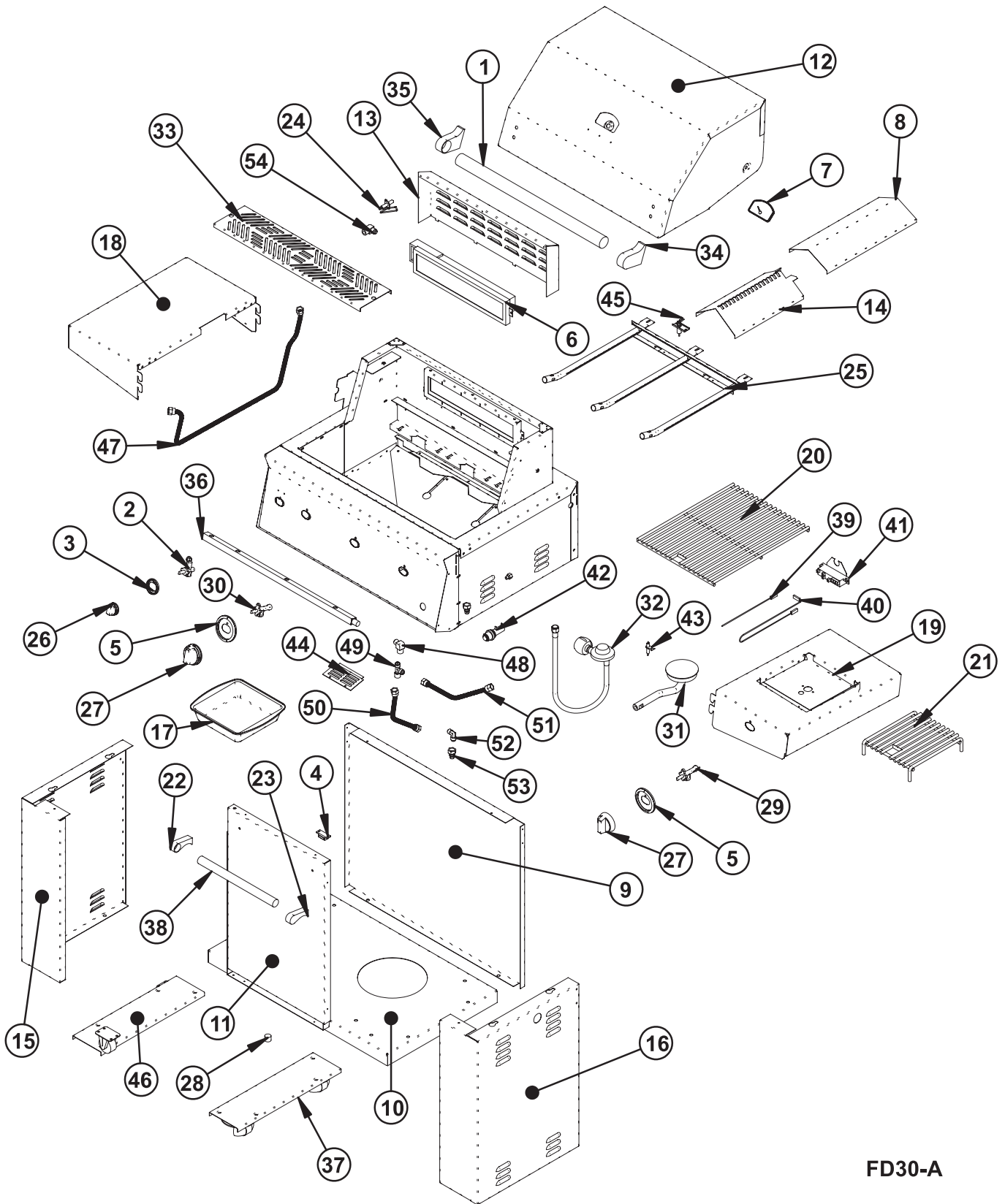
Publication No.
5995436036
 05/05/03
 (EN/SERVICE/BJH)
 099

GAS GRILL

Model No.
 FD30LPD / FD30NGD /
 FD30HOLPD /
 FD30HONGD

Copyright © 2005 Electrolux Home Products, Inc.
 All rights reserved.

RECOMMENDED SPARE PARTS



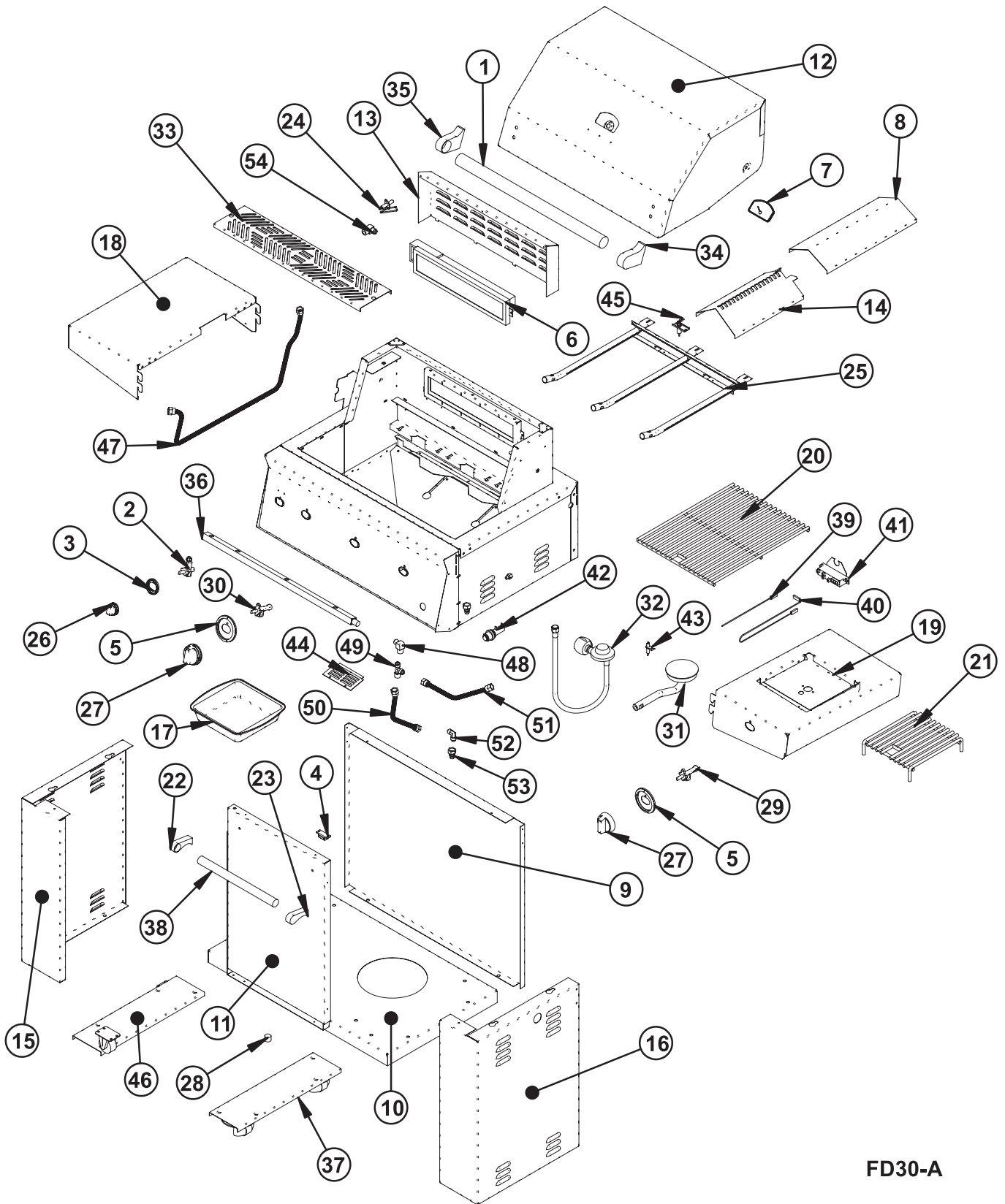
FD30-A

RECOMMENDED SPARE PARTS

Model Index: A FD30LPD (FD30LPDC)
 B FD30NGD (FD30NGDC)
 C FD30HOLPD (FD30HOLPDC)
 D FD30HONGD (FD30HONGDC)

POS. NO	PART NO.	A	B	C	D	DESCRIPTION
1	5304444452	A	B	C	D	Handle, hood
2 #	5304445074	A	-	C	-	Valve, infrared burner, LP
2 #	5304445075	-	B	-	D	Valve, infrared burner, NG
3	5304444429	A	B	C	D	Bezel, infrared knob
4	5304444391	A	B	-	-	Magnet, door
5	5304444406	A	B	C	D	Bezel, knob
6 #	5304444453	A	B	C	D	Burner, infrared, back
7 #	5304444392	A	B	C	D	Guage, temperature
8	5304444399	A	B	C	D	Flavor Grid, burner cover, top, angle
9	5304444454	A	B	-	-	Panel, cart, back
10	5304444455	A	B	-	-	Base, cart
11	5304444456	A	B	-	-	Door, cart
12	5304444457	A	B	C	D	Hood, grill
13	5304444458	A	B	C	D	Cover, infrared burner
14	5304444398	A	B	C	D	Flavor Grid, igniter cover, bottom, angle
15	5304444427	A	B	-	-	Panel, cart, left side
16	5304444416	A	B	-	-	Panel, cart, right side
17	5304444438	A	B	C	D	Tray, drip pan
18	5304444437	A	B	C	D	Shelf, left side
19	5304445076	A	B	-	-	Shelf, side burner, cart model
19	5304445077	-	-	C	D	Shelf, built-in, head only model
20	5304444459	A	B	C	D	Grate, main burner
21	5304444400	A	B	C	D	Grate, side burner
22	5304444425	A	B	-	-	Handle End, door, left
23	5304444426	A	B	-	-	Handle End, door, right
24 #	5304444393	A	B	C	D	Electrode, infrared burner, back
25 #	5304444460	A	B	C	D	Burner, main, 3 cell
26	5304444428	A	B	C	D	Knob, infrared burner
27	5304444405	A	B	C	D	Knob, burner
28	5304444419	A	B	-	-	Door Stop
29 #	5304445078	A	-	C	-	Valve, side burner, LP
29 #	5304445079	-	B	-	D	Valve, side burner, NG
30 #	5304445069	A	-	C	-	Valve, burner, main/side, LP
30 #	5304445070	-	B	-	D	Valve, burner, main/side, NG
31 #	5304445080	A	B	C	D	Burner, side, with venturi
32 #	5304444675	A	-	C	-	Regulator, LP
32 #	5304444424	-	B	-	D	Regulator, NG
33	5304444461	A	B	C	D	Shelf, warming rack
34	5304444390	A	B	C	D	Handle End, hood, right
35	5304444388	A	B	C	D	Handle End, hood, left
36 #	5304444462	A	B	C	D	Manifold
37	5304444418	A	B	-	-	Channel, wheel, swivel
38	5304444463	A	B	-	-	Handle, door, 12.525 inch
39 #	5304444431	A	B	C	D	Wire, igniter, positive
40 #	5304444432	A	B	C	D	Wire, igniter, negative
41 #	5304444674	A	B	C	D	Igniter, 4-pole, no ground, with bracket
42	5304444404	A	B	C	D	Housing, igniter battery

RECOMMENDED SPARE PARTS



FD30-A

RECOMMENDED SPARE PARTS

Model Index: A FD30LPD (FD30LPDC)
 B FD30NGD (FD30NGDC)
 C FD30HOLPD (FD30HOLPDC)
 D FD30HONGD (FD30HONGDC)

POS. NO	PART NO.		DESCRIPTION
43 #	5304445081	A B C D	Electrode, side burner
44	5304445082	A B C D	Panel, igniter access
45 #	5304444439	A B C D	Electrode, main burner
46	5304445083	A B - -	Channel, wheel, fixed
47 #	5304447646	A B C D	Hose, gas, infrared burner, rear
48 #	5304447638	A B C D	Elbow, gas fitting, manifold-to-T
49 #	5304447639	A B C D	Connector, T
50 #	5304446174	A B C D	Hose, gas, 10", main supply
51 #	5304447640	A B C D	Hose, gas, 16", to side burner
52 #	5304447623	A B C D	Elbow, main connection
53 #	5304447624	A B C D	Fitting, main connection
54 #	5304447641	A - C -	Elbow, LP, IR burner rear, with orifice
54 #	5304447642	- B - D	Elbow, NG, IR burner rear, with orifice
*	5304444441	A B C D	Bolt, valve/manifold
*	5304444442	A B - -	Bolt, wheel & cart
*	5304444443	A B - -	Nut, door, bottom pivot
*	5304444444	A B - -	Screw, door, bottom pivot
*	5304445048	A B C D	Screw, bezel/valve
*	5304444446	A B C D	Screw, hood handle end
*	5304444447	A B C D	Screw, self-tapping
*	5304444661	A B C D	Wire, igniter, infrared burner
*	5304444449	A B C D	Wire, igniter, main burner, left & right
*	5304444658	A B C D	Wire, igniter, bottom, infrared