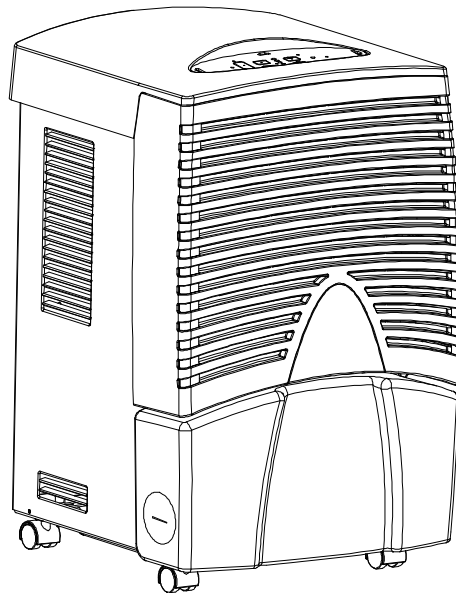


FACTORY PARTS CATALOG DEHUMIDIFIER



PRODUCT NO.	BASE MODEL NO.	VOLTS	PINTS / HR
FDD50J1	FDD50J	115	50

WIRING DIAGRAM # - 327160501
OWNERS GUIDE # - 327000009

FRIGIDAIRE
HOME PRODUCTS
P.O. Box 212378
Augusta, GA 30917

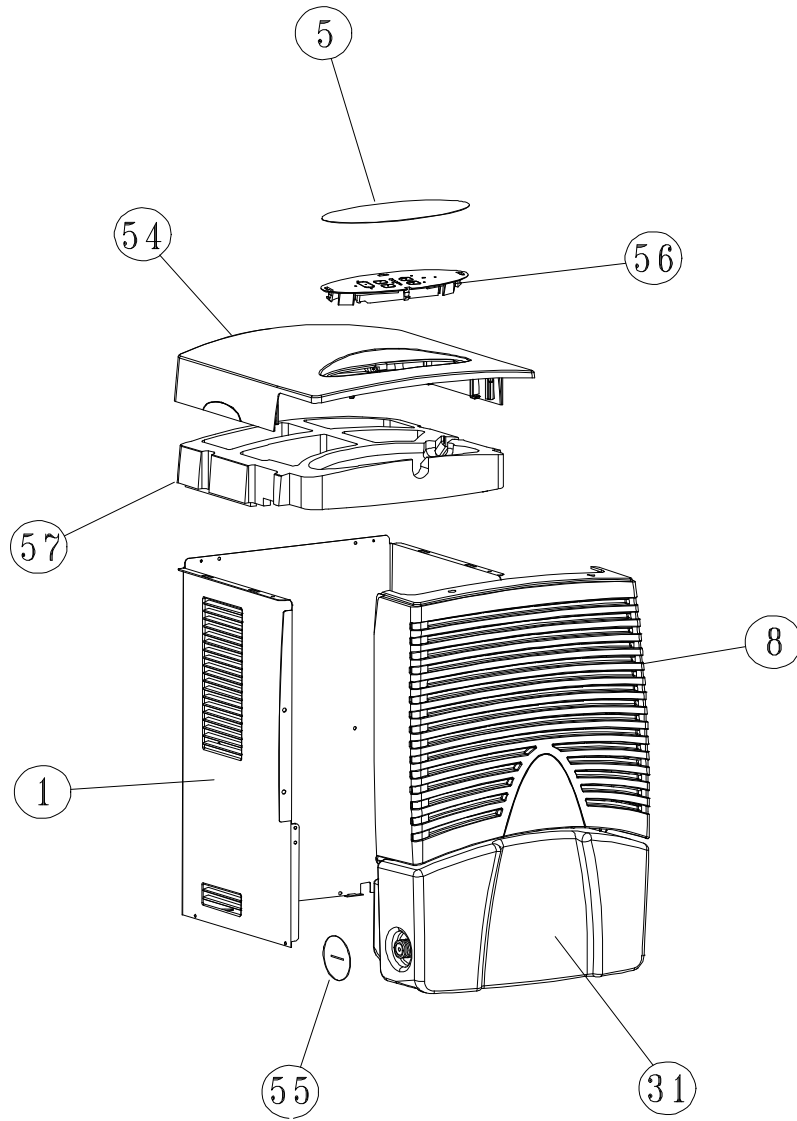
Publication No.
5995343786
000413
-EN/SERVICE /REP
345

DEHUMIDIFIER

Model No.
FDD50J1

©2000 White Consolidated Industries, Inc.
All rights reserved

WRAPPER

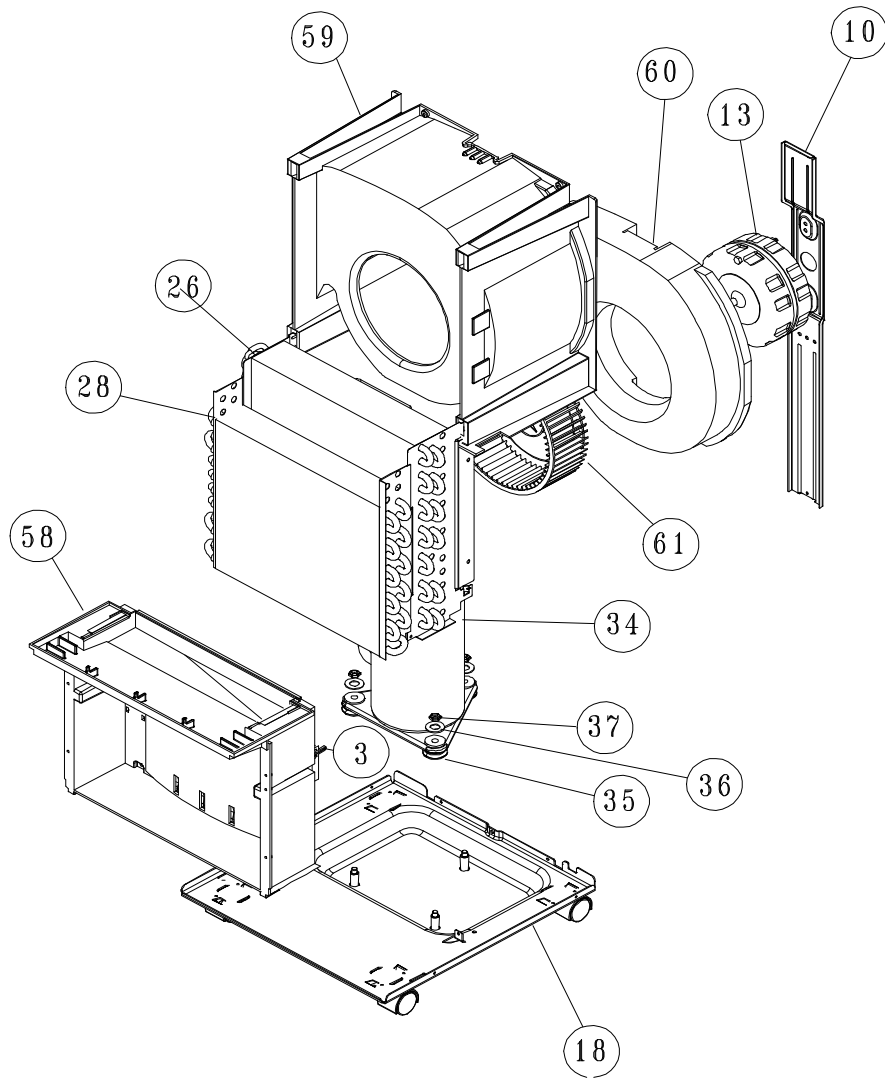


WRAPPER

POS. NO.	PART NO.	DESCRIPTION
1	327660002	Cabinet
5	327360501	Overlay
8	327661501	Front
31	327661902	Bucket
54	327661201	Top Cap
55	327160101	Hose Cap
56	327360302	Control Panel
57	327660402	Scroll Cap
*	327362201	Control Humidity
*	327161201	Switch
*	327161101	Push Button
*	327160002	Indicator Light
*	309307013	Control Knob
*	327000009	Owners Manual

= Functional Parts
* = Non-illustrated Parts

SYSTEM PARTS



SYSTEM PARTS

POS. NO.	PART NO.	DESCRIPTION
3	5308016437	Switch-auto shut off,bucket
10	327362101	Bracket, motor
13	327650407	Motor-fan, 2Speed
18	327660308	Base plate, with casters
26	327361001	Condenser
28	327361401	Evaporator
34	5304416101	Compressor
35	327160901	Grommet
36	327163302	Washer-compressor
37	08006948	Nut-compressor
58	327660501	Coil support/Drip tray
59	327660201	Scroll
60	327362001	Scroll back
61	327360001	Blower wheel
*	08007481	Nut-Motor Mounting
*	327161302	Clamp-Blower wheel
*	5304416308	Caster
*	3019025	Capillary tube
*	327160709	Harness-compressor
*	5304416103	Capacitor
*	5304416102	Overload
*	5304416417	Cover-terminal
*	5303291330	Gasket-cover terminal
*	5303294292	Nut-Cover terminal
*	5304416426	Cord power

= Functional Parts
* = Non-illustrated Parts

NOTES
