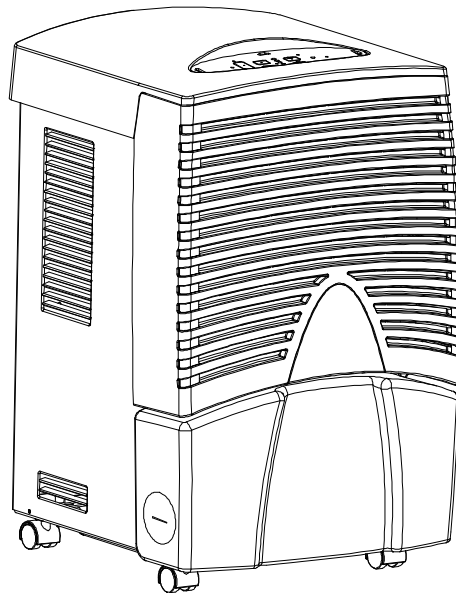


# FACTORY PARTS CATALOG DEHUMIDIFIER

## FRIGIDAIRE



PRODUCT NO.	BASE MODEL NO.	VOLTS	PINTS / HR
FDH25J1	FDH25J	115	25

WIRING DIAGRAM # - 327160504  
OWNERS GUIDE # - 327000009

 **FRIGIDAIRE**  
**HOME PRODUCTS**  
P.O. Box 212378  
Augusta, GA 30917

Publication No.  
5995343703  
000413  
-EN/SERVICE /REP  
345

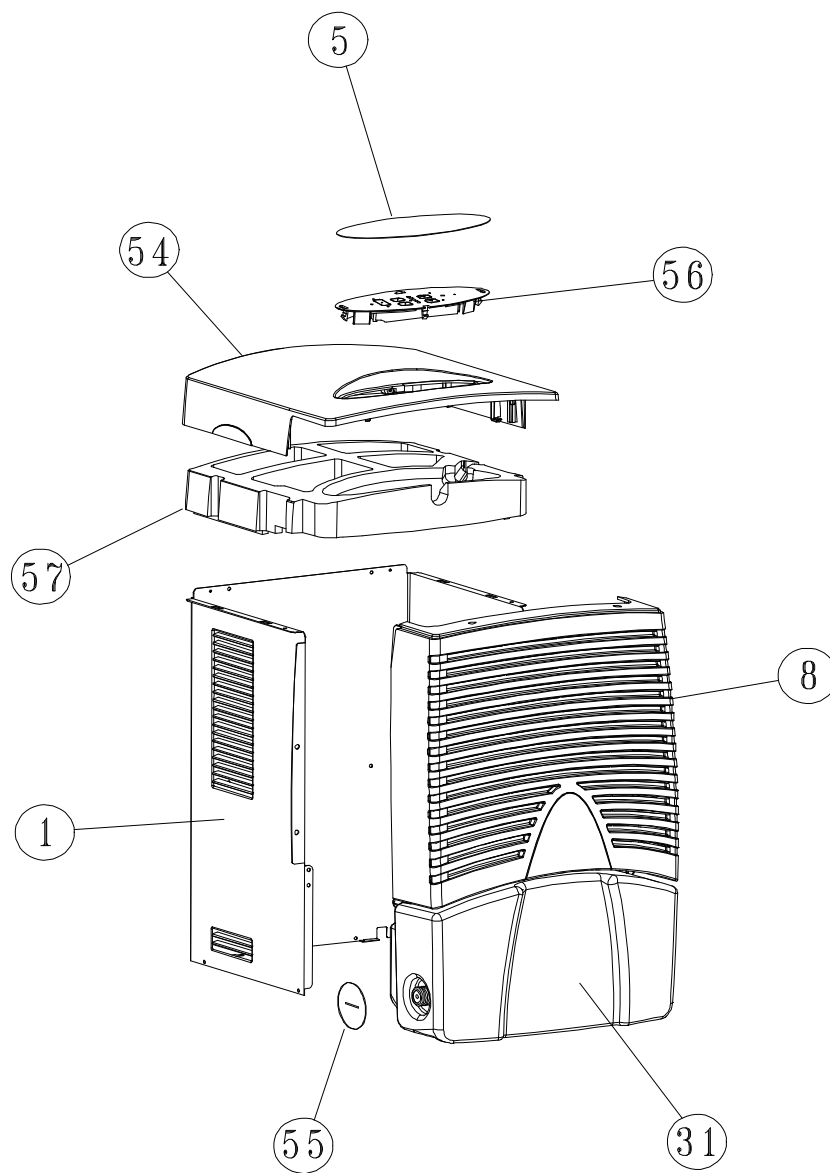
DEHUMIDIFIER

Model No.  
FDH25J1

©2000 White Consolidated Industries, Inc.  
All rights reserved

# WRAPPER

---



## WRAPPER

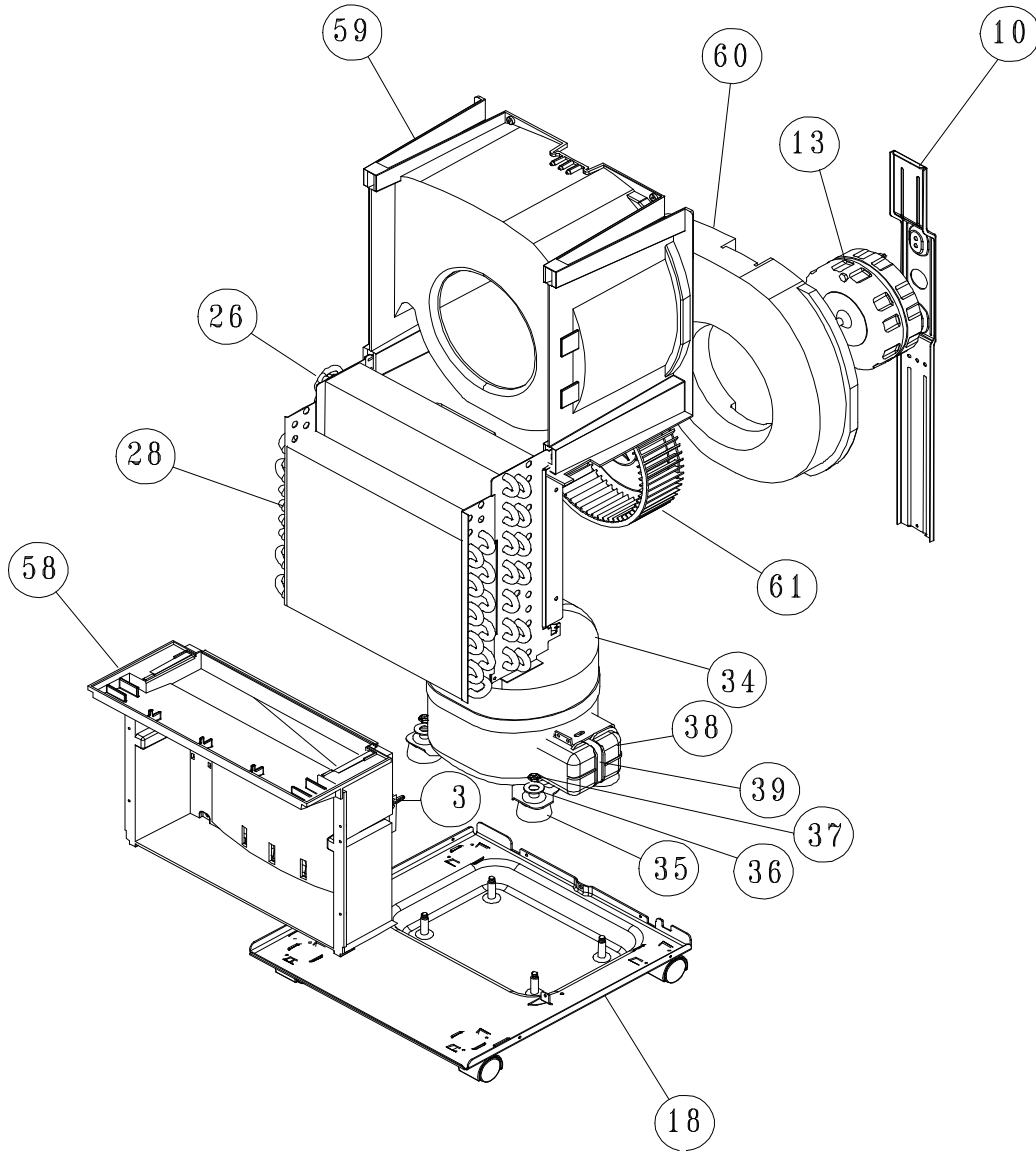
---

POS. NO.	PART NO.	DESCRIPTION
1	327660002	Cabinet
5	327360502	Overlay
8	327661501	Front
31	<a href="#">327661902</a>	Bucket
54	327661201	Top Cap
55	327160101	Hose Cap
56	327360301	Control Panel
57	327660402	Scroll Cap
*	327160002	Indicator Light
*	309307013	Control Knob
*	327000009	Owners Manual

# = Functional Parts  
\* = Non-illustrated Parts

### SYSTEM PARTS

---



## SYSTEM PARTS

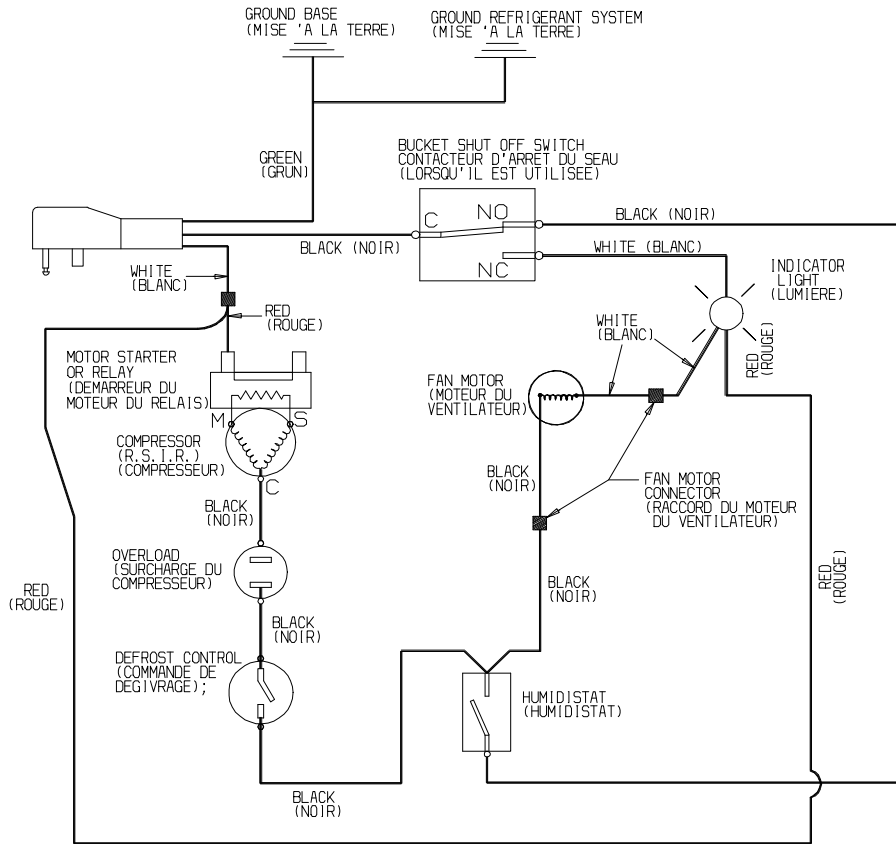
---

POS. NO.	PART NO.	DESCRIPTION
3	5308016437	Switch-auto shut off,bucket
10	327362101	Bracket, motor
13	327650409	Motor-fan, 1Speed
18	327660307	Base plate, with casters
26	327651601	Condenser & Evaporator in one
28	327651601	Evaporator & Condenser in one
34	327603702	Compressor
35	5303286606	Grommet
36	5303002664	Washer-compressor
37	08006948	Nut-compressor
58	327660501	Coil support/Drip tray
59	327660201	Scroll
60	327362001	Scroll back
61	327360001	Blower wheel
*	08007481	Nut-Motor Mounting
*	327161302	Clamp-Blower wheel
*	5304416308	Caster
*	5304410096	Capillary tube
*	327160712	Harness-compressor
*	5304416099	Overload
*	327101603	Cover-terminal
*	327101503	Starting Relay-MTRP0051-02
*	5304416438	Cord power

# = Functional Parts  
\* = Non-illustrated Parts

### WIRING DIAGRAM

327160504



Publication No.  
5995343703

FDH25J1

## NOTES

---