



Frigidaire

Factory Parts Catalog

Product No.	FN31LPDC	FN31NGDC
Series	Grill & Cart	Grill & Cart
Market	NECO	NECO
Color	stainless steel	stainless steel
Owner's Guide	FD30/FN31IMD	FD30/FN31IMD



Electrolux Major Appliances
 North & Latin America
 P.O. BOX 212378
 AUGUSTA, GA 30917

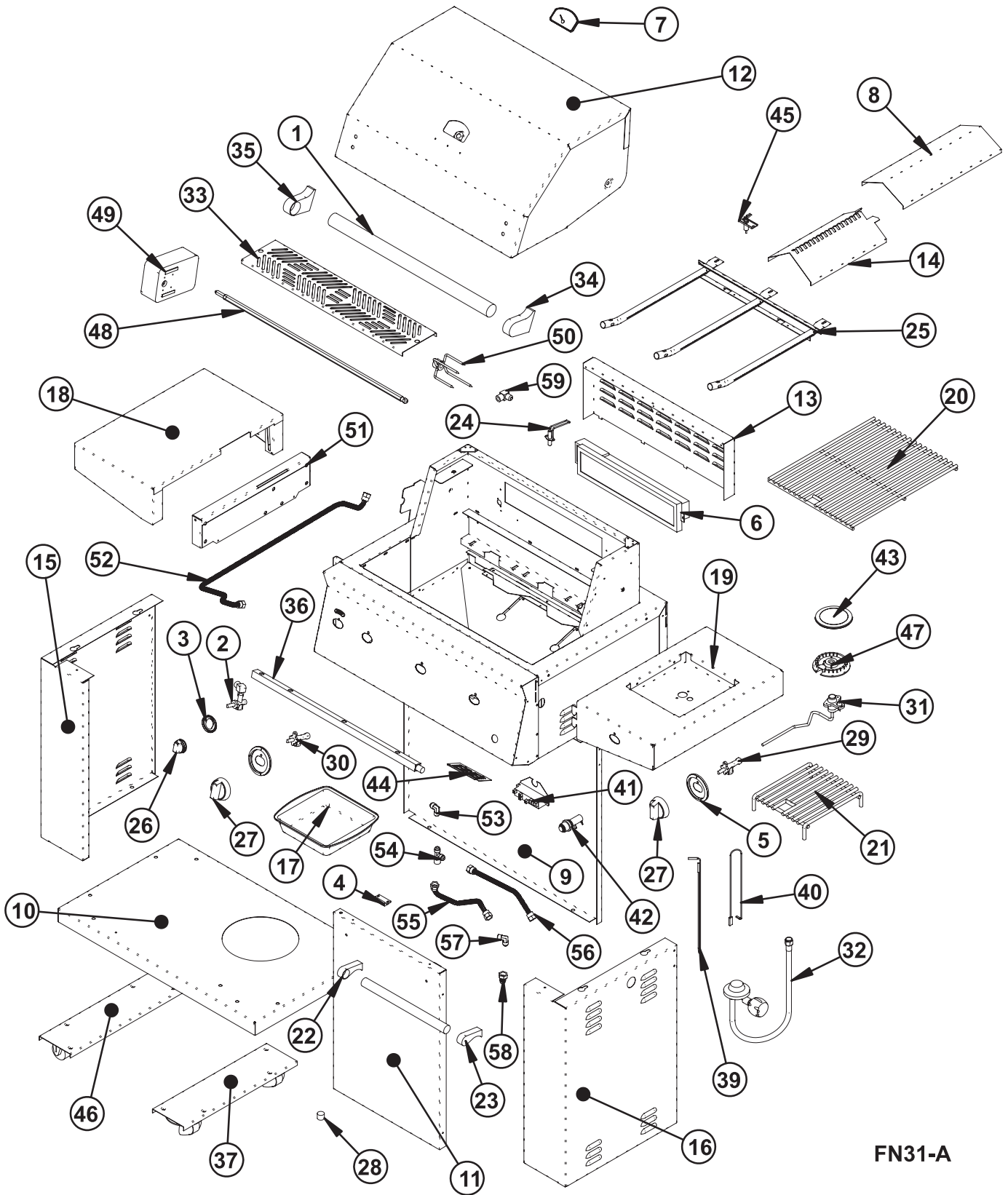
Publication No.
5995436168
 05/05/04
 (EN/SERVICE/BJH)
 099

GAS GRILL

Model No.
FN31LPD / FN31NGD

Copyright © 2005 Electrolux Home Products, Inc.
 All rights reserved.

RECOMMENDED SPARE PARTS



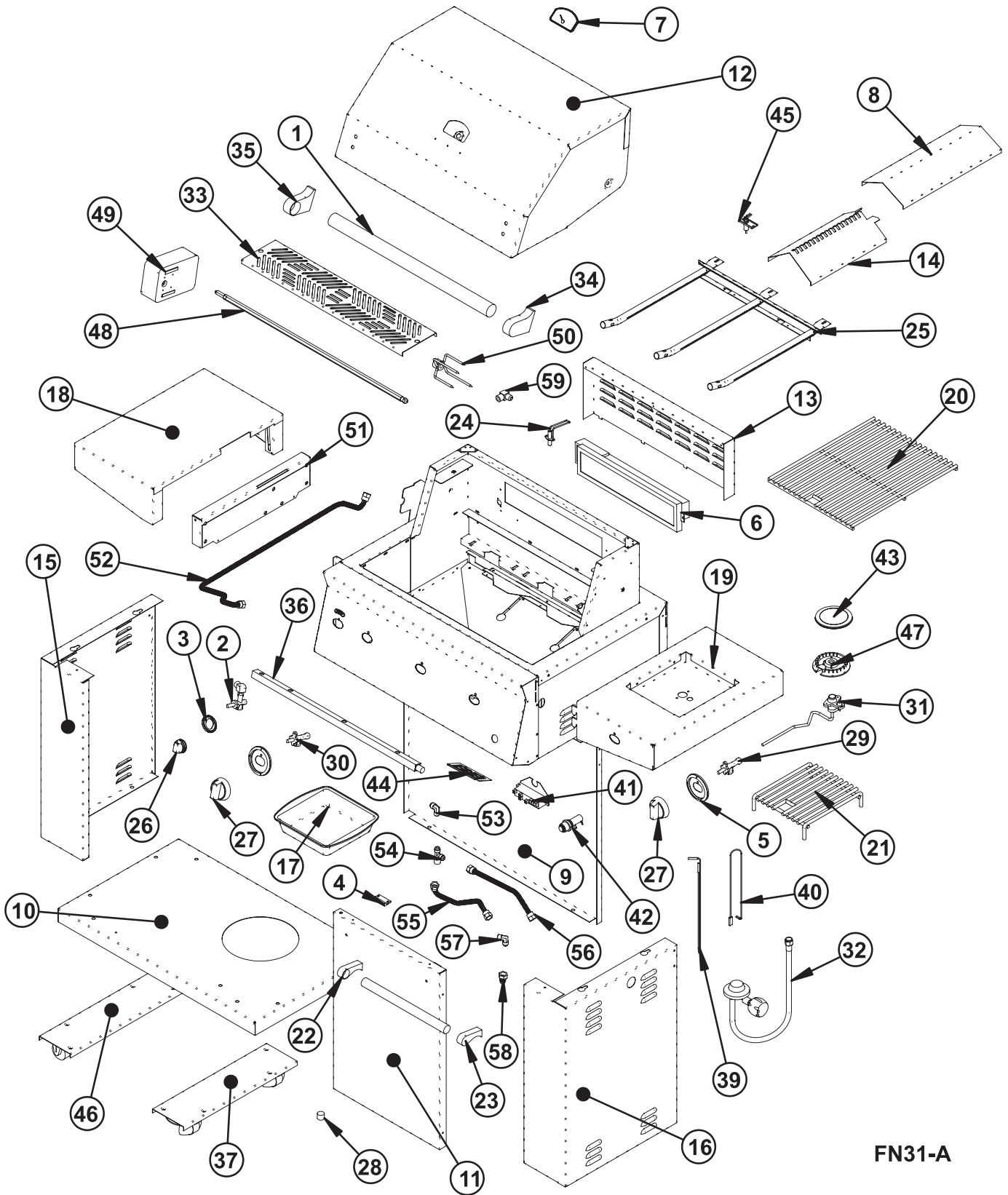
FN31-A

RECOMMENDED SPARE PARTS

Model Index: A FN31LPD (FN31LPDC)
B FN31NGD (FN31NGDC)

POS. NO	PART NO.		DESCRIPTION
1	5304444452	A B	Handle, hood
2 #	5304445074	A -	Valve, infrared burner, LP
2 #	5304445075	- B	Valve, infrared burner, NG
3	5304444429	A B	Bezel, infrared knob
4	5304444391	A B	Magnet, door
5	5304444406	A B	Bezel, knob
6 #	5304444453	A B	Burner, infrared, back
7 #	5304444392	A B	Gauge, temperature
8	5304444399	A B	Flavor Grid, burner cover, top, angle
9	5304444454	A B	Panel, cart, back
10	5304444455	A B	Base, cart
11	5304444456	A B	Door, cart
12	5304444457	A B	Hood, grill
13	5304444458	A B	Cover, infrared burner
14	5304444398	A B	Flavor Grid, igniter cover, bottom, angle
15	5304444427	A B	Panel, cart, left side
16	5304444416	A B	Panel, cart, right side
17	5304444438	A B	Tray, drip pan
18	5304445086	A B	Shelf, left side, folding
19	5304444401	A B	Shelf, side burner
20	5304444459	A B	Grate, main burner
21	5304444400	A B	Grate, side burner
22	5304444425	A B	Handle End, door, left
23	5304444426	A B	Handle End, door, right
24 #	5304444393	A B	Electrode, infrared burner, back
25 #	5304444460	A B	Burner, main, 3 cell
26	5304444428	A B	Knob, infrared burner
27	5304444405	A B	Knob, burner
28	5304444419	A B	Door Stop
29 #	5304445078	A -	Valve, side burner, LP
29 #	5304445079	- B	Valve, side burner, NG
30 #	5304445069	A -	Valve, burner, main/side, LP
30 #	5304445070	- B	Valve, burner, main/side, NG
31 #	5304445087	A -	Orifice, LP, side burner, with holder
31 #	5304445088	- B	Orifice, NG, side burner, with holder
32 #	5304444675	A -	Regulator, LP
32 #	5304444424	- B	Regulator, NG
33	5304444461	A B	Shelf, warming rack
34	5304444390	A B	Handle End, hood, right
35	5304444388	A B	Handle End, hood, left
36 #	5304444462	A B	Manifold
37	5304444418	A B	Channel, wheel, swivel
38	5304444463	A B	Handle, door, 12.525 inch
39 #	5304444431	A B	Wire, igniter, positive
40 #	5304444432	A B	Wire, igniter, negative
41 #	5304444674	A B	Igniter, 4-pole, no ground, with bracket
42	5304444404	A B	Housing, igniter battery
43	5304444402	A B	Cap, side burner
44	5304445082	A B	Panel, igniter access

RECOMMENDED SPARE PARTS



FN31-A

RECOMMENDED SPARE PARTS

Model Index: A FN31LPD (FN31LPDC)
 B FN31NGD (FN31NGDC)

POS. NO	PART NO.		DESCRIPTION
45 #	5304444439	A B	Electrode, main burner
46	5304445083	A B	Channel, wheel, fixed
47	5304444403	A B	Burner Head, side burner
48	5304445089	A B	Spit, rotisserie
49 #	5304444548	A B	Motor, rotisserie
50	5304444551	A B	Fork, rotisserie
51	5304445090	A B	Bracket, folding shelf
52 #	5304447646	A B	Hose, gas, infrared burner, rear
53 #	5304447638	A B	Elbow, gas fitting, manifold-to-T
54 #	5304447639	A B	Connector, T
55 #	5304447640	A B	Hose, gas, 16", to side burner
56 #	5304446174	A B	Hose, gas, 10", main supply
57 #	5304447623	A B	Elbow, main connection
58 #	5304447624	A B	Fitting, main connection
59 #	5304447641	A -	Elbow, LP, IR burner rear, with orifice
59 #	5304447642	- B	Elbow, NG, IR burner rear, with orifice
*	5304444441	A B	Bolt, valve/manifold
*	5304444442	A B	Bolt, wheel & cart
*	5304444443	A B	Nut, door, bottom pivot
*	5304444444	A B	Screw, door, bottom pivot
*	5304445048	A B	Screw, bezel/valve
*	5304444446	A B	Screw, hood handle end
*	5304444447	A B	Screw, self-tapping
*	5304444661	A B	Wire, igniter, infrared burner
*	5304444449	A B	Wire, igniter, main burner, left & right
*	5304444696	A B	Wire, igniter, side burner, rear